

Model XSL06PT/Z Parts List

A = Standard Equipment

O = Circuit Diagram

Item#	Part#	Description	Q'ty	Unit
001	265995-6	TAPPING SCREW 4X18	6	PC.
002	183H69-8	HANDLE SET	1	
	C10 810483-4	CAUTION LABEL	1	PC.
	D10	INC. 14		
003	632L09-2	SWITCH UNIT	1	PC.
006	457935-0	SWITCH LEVER	1	
007	416356-5	LOCK-OFF LEVER	1	PC.
008	651083-9	SWITCH C3XA-1PSPM	1	
009	231026-3	COMPRESSION SPRING 4	1	PC.
011	458078-1	LASER SWITCH COVER	1	
013	265995-6	TAPPING SCREW 4X18	3	PC.
014	183H69-8	HANDLE SET	1	
	C10 810483-4	CAUTION LABEL	1	PC.
	D10	INC. 2		
015	451037-4	SWITCH BUTTON	1	PC.
016	451000-7	LEAD COVER HOLDER	1	PC.
017	265995-6	TAPPING SCREW 4X18	1	PC.
018	265995-6	TAPPING SCREW 4X18	2	PC.
019	457933-4	REAR COVER	1	
020	620742-6	POWER SUPPLY CIRCUIT	1	
021	620757-3	CONTROLLER	1	
022	813T74-0	INDICATION LABEL	1	
023	643874-2	TERMINAL	2	PC.
024	911948-0	PAN HEAD SCREW M6X80 WITH WR	4	PC.
025	853T15-4	XSL06 NAME PLATE	1	
026	457906-7	MOTOR HOUSING	1	
027	265995-6	TAPPING SCREW 4X18	3	PC.
028	911273-9	PAN HEAD SCREW M5X50	2	PC.
029	183H66-4	BATTERY HOUSING SET	1	
	C10 263005-3	RUBBER PIN 6	4	PC.
	C20 813T72-4	CAUTION LABEL	1	
	D10	INC. 30		
030	183H66-4	BATTERY HOUSING SET	1	
	C10 263005-3	RUBBER PIN 6	4	PC.
	C20 813T72-4	CAUTION LABEL	1	
	D10	INC. 29		
031	629282-1	STATOR	1	
032	457934-2	BAFFLE PLATE	1	
033	265995-6	TAPPING SCREW 4X18	2	PC.
034	211021-9	BALL BEARING 607LLB	1	PC.
035	519454-5	ROTOR ASS'Y	1	
	D10	INC. 34		
036	319591-3	MOTOR BRACKET	1	
037	961057-5	RETAINING RING S-17	1	PC.
038	210301-0	BALL BEARING 6003DDW	1	PC.
039	922331-6	HEX. SOCKET HEAD BOLT M6X20	1	PC.
040	253804-1	FLAT WASHER 6	1	PC.
041	257163-5	RING 6	1	PC.
042	457704-9	DUST NOZZLE	1	

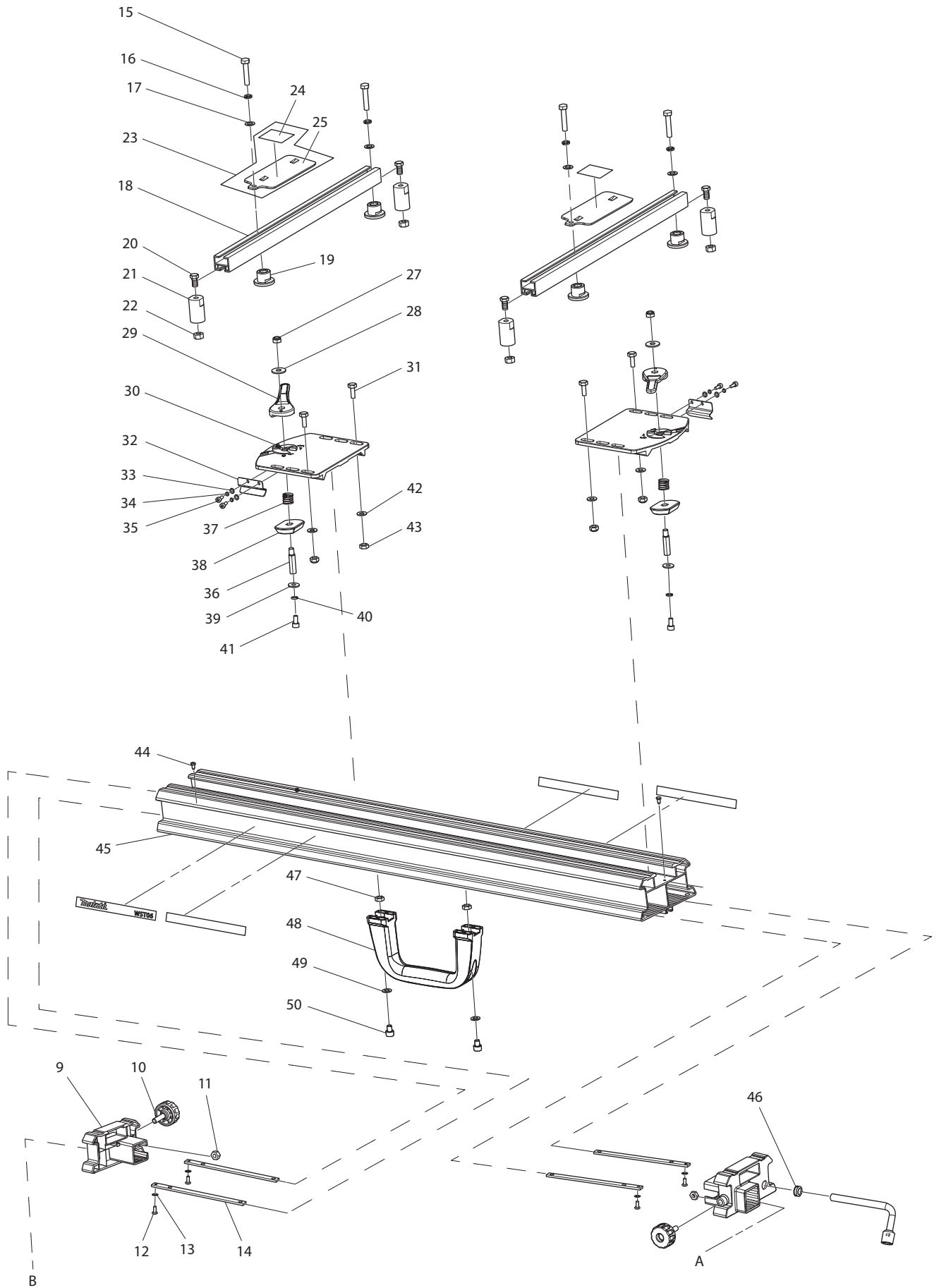
043	853S09-3	XSL06 SERIAL NO. LABEL	1
044	266026-4	TAPPING SCREW BIND CT 4X12	1 PC.
045	251554-2	THUMB SCREW M6X40	1
046	922332-4	HEX. SOCKET HEAD BOLT M6X20	1 PC.
047	457667-9	LOGO PLATE	1
048	961018-5	STOP RING E-5	1 PC.
049	251547-9	HEX.SOCKET HEAD BOLT M8X25	1
050	922226-3	HEX. SOCKET HEAD BOLT M5X18	1 PC.
051	266034-5	TAPPING SCREW CT 4X16	3 PC.
052	144529-7	LINK PLATE COMPLETE	1
053	257163-5	RING 6	1 PC.
054	253804-1	FLAT WASHER 6	1 PC.
055	262001-8	URETHANE RING 5	1 PC.
056	942151-2	SPRING WASHER 6	1 PC.
057	257785-1	SLEEVE 6	1 PC.
058	266321-2	H.S.SET SCREW(FLAT POINT)M6X16	1 PC.
059	911114-9	PAN HEAD SCREW M4X10	2 PC.
060	232412-1	TORSION SPRING 11	1
061	457764-1	DUST GUIDE PLATE	1
062	161647-6	GUARD HOLDER	1
063	231928-3	RING SPRING 8	1 PC.
064	251544-5	SHOULDER HEX. BOLT M4	1
065	144772-8	BLADE CASE COMPLETE	1
	C10 263005-3	RUBBER PIN 6	3 PC.
	C20 810496-5	LASER BEAM CAUTION LABEL	1 PC.
	C30 810497-3	LASER BEAM CAUTION LABEL	1 PC.
066	231240-1	COMPRESSION SPRING 7	1 PC.
067	256633-1	PIN 6	1 PC.
068	457659-8	LEAD COVER	1
069	265028-7	+ PAN HEAD SCREW M4X11	1 PC.
070	422155-5	GUARD	1
071	347215-1	GUARD PLATE	1
072	266283-4	HEX. SOCKET HEX. BOLT M8X20	1 PC.
073	266020-6	TAPPING SCREW 4X12	1 PC.
074	961052-5	RETAINING RING S-12	1 PC.
075	210005-4	BALL BEARING 608DDW	1 PC.
076	261104-5	RUBBER WASHER 12	1 PC.
077	253744-3	FLAT WASHER 12	1 PC.
078	254001-2	WOODRUFF KEY 4	1 PC.
079	227550-2	SPIRAL BEVEL GEAR 32	1 PC.
080	253744-3	FLAT WASHER 12	1 PC.
081	253313-0	THIN WASHER 14	1 PC.
082	451002-3	GREASE HOLDER	1 PC.
083	266026-4	TAPPING SCREW BIND CT 4X12	2 PC.
084	325643-0	GEAR SHAFT	1 PC.
085	216024-8	STEEL BALL 4	1 PC.
086	227702-5	HELICAL GEAR 27	1 PC.
087	227701-7	HELICAL GEAR 14	1 PC.
088	210067-2	BALL BEARING 6000ZZ	1 PC.
089	442147-8	GASKET	1 PC.
090	961055-9	RETAINING RING S-15	1 PC.
091	210005-4	BALL BEARING 608DDW	1 PC.
092	911223-4	PAN HEAD SCREW M5X16	3 PC.
093	227703-3	HELICAL GEAR 28	1 PC.
094	267010-2	FLAT WASHER 5	1 PC.
095	210005-4	BALL BEARING 608DDW	1 PC.

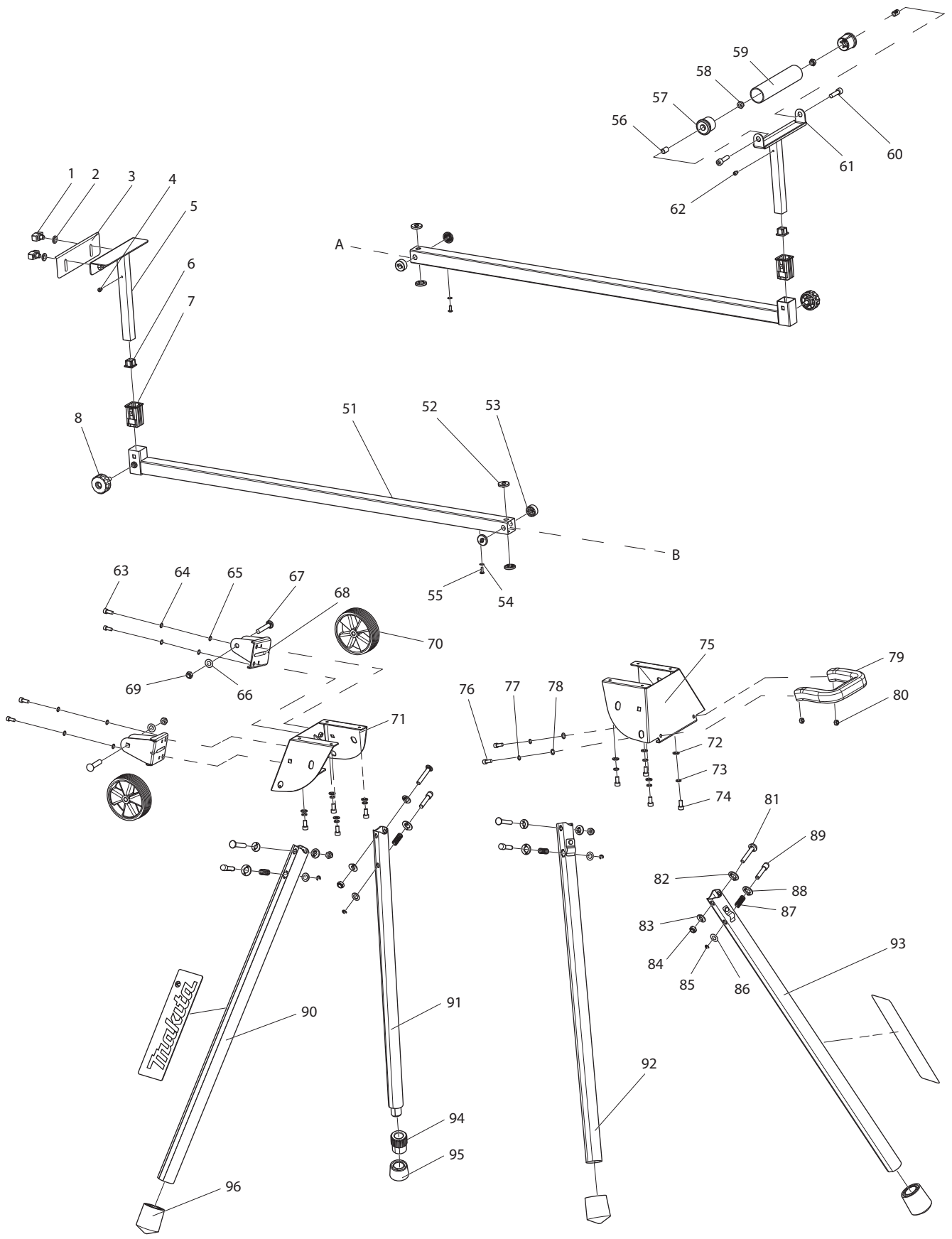
096	158957-0	BEARING BOX COMPLETE	1 PC.
	C10 263002-9	RUBBER PIN 4	1 PC.
097	285847-5	BEARING RETAINER 14-23	1 PC.
098	931202-6	HEX. NUT M5	1 PC.
099	942101-7	SPRING WASHER 5	1 PC.
100	325644-8	SPINDLE	1 PC.
101	211236-8	BALL BEARING 6002DDW	1 PC.
102	285732-2	BEARING RETAINER 51	1 PC.
103	224428-0	INNER FLANGE 46	1 PC.
104	224429-8	OUTER FLANGE 46	1 PC.
106	265034-2	+ COUNTERSUNK HEAD SCREW M5X16	2 PC.
107	266755-9	HEX.SOCKET HEAD BOLT M10X20	1 PC.
108	941051-3	FLAT WASHER 4	2 PC.
109	266020-6	TAPPING SCREW 4X12	2 PC.
110	418104-8	LENS	1 PC.
111	419378-4	BLOCK B	1 PC.
112	911003-8	PAN HEAD SCREW M3X6	2 PC.
113	231664-1	TORSION SPRING 9	1 PC.
114	266318-1	H.S.SET SCREW(FLAT POINT)M4X6	1 PC.
115	266306-8	SHOULDER SCREW M5	1 PC.
116	419379-2	BLOCK C	1 PC.
117	233471-8	COMPRESSION SPRING 6	1 PC.
118	638651-5	LASER CIRCUIT COMPLETE	1 PC.
119	231664-1	TORSION SPRING 9	1 PC.
120	266318-1	H.S.SET SCREW(FLAT POINT)M4X6	1 PC.
121	266229-0	H.S.SET SCREW(CUP POINT)M5X8	2 PC.
122	457660-3	LASER COVER	1
123	266034-5	TAPPING SCREW CT 4X16	2 PC.
124	457664-5	PROTECTOR	1
125	265753-0	THUMB SCREW M5X24	1 PC.
126	253807-5	FLAT WASHER 5	1 PC.
127	424193-3	ROLLER	2 PC.
128	266385-6	TAPPING SCREW 4X14	3 PC.
129	457499-4	SEAFTY COVER B	1
130	266385-6	TAPPING SCREW 4X14	1 PC.
131	347213-5	CENTER PLATE	1
132	231634-0	TORSION SPRING 45	1 PC.
133	424190-9	CUSHION	1 PC.
134	347214-3	CENTER COVER	1
135	265985-9	HEX.SOCKET HEAD BOLT M6	1 PC.
136	253932-2	WAVE WASHER 10	1 PC.
137	210168-6	BALL BEARING 6805DDW	1
138	457498-6	SAFETY COVER A	1
139	126751-8	DUST NOZZLE ASSEMBLY	1
	D10	INC. 140-144,147,148	
140	265995-6	TAPPING SCREW 4X18	3 PC.
141	183H71-1	HOSE CONNECTOR SET	1
	D10	INC. 148	
142	245041-1	HOSE 28-0.45	1 PC.
143	457672-6	SLEEVE	1
144	457673-4	STOPPER	1
147	458198-1	HOSE JOINT	1
148	183H71-1	HOSE CONNECTOR SET	1
	D10	INC. 141	
149	266034-5	TAPPING SCREW CT 4X16	3 PC.
150	457665-3	SLEEVE 17	2

152	233537-4	TORSION SPRING 35	1 PC.
153	251267-5	+ PAN HEAD SCREW M6	1 PC.
154	253948-7	WAVE WASHER 8	1 PC.
155	253835-0	FLAT WASHER 8	1 PC.
156	347221-6	STOPPER ARM	1
157	347222-4	FRONT ARM PLATE	1
158	262076-7	FELT RING 30	2 PC.
159	326994-4	ROD 16	1
160	271437-0	KNOB 22	1
161	961013-5	STOP RING E-7	1 PC.
162	266034-5	TAPPING SCREW CT 4X16	4 PC.
163	144655-2	FRONT ARM COMPLETE	1
	C10 263005-3	RUBBER PIN 6	2 PC.
	C20 816787-2	INDICATION LABEL	1 PC.
164	233151-6	COMPRESSION SPRING 4	1 PC.
165	256364-2	PIN 4	1
166	232384-0	COMPRESSION SPRING 10	1
167	326977-4	STOPPER PIN	1
168	457653-0	ARM COVER	1
169	144658-6	HOLDER COMPLETE	1
	C10 812X89-8	INDICATION LABEL	1
170	265008-3	+ FLAT HEAD SCREW M5	1 PC.
171	222191-9	PULLEY 17-19.3	1
172	210167-8	BALL BEARING 6900LLB	1
173	267804-5	WAVE WASHER 15	1 PC.
174	326975-8	SHAFT	1
175	210167-8	BALL BEARING 6900LLB	1
177	913416-9	SET SCREW M8X12	2 PC.
178	416536-3	WRENCH HOLDER	1 PC.
179	266026-4	TAPPING SCREW BIND CT 4X12	1 PC.
180	951107-4	SPRING PIN 4-14	2 PC.
181	273016-0	GRIP 50 B	1
182	265919-2	HEX. SOCKET HEAD BOLT M5X30	1 PC.
183	251545-3	SHOULDER HEX. BOLT M6	1
184	144657-8	STOPPER LEVER COMPLETE	1
	C10 812X87-2	INDICATION LABEL	1
185	253948-7	WAVE WASHER 8	1 PC.
186	253835-0	FLAT WASHER 8	1 PC.
187	251267-5	+ PAN HEAD SCREW M6	1 PC.
188	326987-1	PIN 9-365	1
189	253194-2	FLAT WASHER 5	1 PC.
190	257426-9	SLEEVE 5	1
191	253165-9	FLAT WASHER 8	1 PC.
192	457666-1	SLEEVE 20	1
193	326977-4	STOPPER PIN	1
194	222192-7	PULLEY 17-87.8	1
195	326980-5	HEX.LOCK NUT M10-19	1
196	225101-5	SYNCHRO BELT 15-756	1
197	232384-0	COMPRESSION SPRING 10	1
198	253388-9	FLAT WASHER 10	1
199	252244-0	HEX.LOCK NUT M10-17	1 PC.
200	253024-7	FLAT WASHER 10	1 PC.
202	216413-7	THRUST NEEDLE CAGE 1024	1 PC.
203	253024-7	FLAT WASHER 10	1 PC.
204	216413-7	THRUST NEEDLE CAGE 1024	1 PC.
205	961013-5	STOP RING E-7	1 PC.

206	271437-0	KNOB 22	1
207	253024-7	FLAT WASHER 10	1 PC.
208	144530-2	ARM COMPLETE	1
	C10 812X88-0	INDICATION LABEL	1
209	251547-9	HEX.SOCKET HEAD BOLT M8X25	1
210	457871-0	INDICATION PLATE R	1
211	266026-4	TAPPING SCREW BIND CT 4X12	1 PC.
212	266034-5	TAPPING SCREW CT 4X16	4 PC.
213	415208-7	RELEASE BUTTON	1 PC.
214	233031-6	COMPRESSION SPRING 12	1 PC.
215	457654-8	DUST GUIDE HOLDER	1
216	457870-2	INDICATION PLATE L	1
217	266026-4	TAPPING SCREW BIND CT 4X12	1 PC.
218	253389-7	WASHER 94	1
219	422156-3	DUST GUIDE	1
220	319593-9	STOPPER	1
221	231646-3	TORSION SPRING 14	1 PC.
222	253744-3	FLAT WASHER 12	1 PC.
223	961052-5	RETAINING RING S-12	1 PC.
224	266026-4	TAPPING SCREW BIND CT 4X12	2 PC.
225	457668-7	HOLDER	2
226	144647-1	UPPER FENCE R COMPLETE	1
	C10 812X80-6	CAUTION LABEL	1
227	144643-9	UPPER FENCE L COMPLETE	1
	C10 812X80-6	CAUTION LABEL	1
228	922458-2	H.S.H.BOLT M8X35 WITH WR	4
229	251887-5	SCREW M6X10	2 PC.
230	251561-5	H.SOCKET HEAD SET SCREW M10X12	2
231	319584-0	GUIDE FENCE	1
232	266026-4	TAPPING SCREW BIND CT 4X12	4 PC.
233	451013-8	KERF BOARD	2 PC.
234	812X83-0	CAUTION LABEL	1
235	265442-7	HEX. BOLT M8X40	1 PC.
236	253852-0	FLAT WASHER 8	2 PC.
237	216413-7	THRUST NEEDLE CAGE 1024	1 PC.
239	812X86-4	BEVEL SCALE LABEL	1
240	251547-9	HEX.SOCKET HEAD BOLT M8X25	1
241	251547-9	HEX.SOCKET HEAD BOLT M8X25	1
243	813L22-1	CAUTION LABEL	2
244	266026-4	TAPPING SCREW BIND CT 4X12	2 PC.
245	457702-3	INDICATION PLATE	2
246	326970-8	LOCK PIN 8	1
247	234122-6	COMPRESSION SPRING 6	1 PC.
249	457657-2	LEVER 25	1
250	253804-1	FLAT WASHER 6	1 PC.
251	961018-5	STOP RING E-5	2 PC.
252	144651-0	TURN BASE COMPLETE	1
	D10	INC. 234,239,243,253	
253	812X82-2	CAUTION LABEL	1
254	326973-2	ROD 12	1
255	286039-9	CAP	2
256	326976-6	CENTER SHAFT	1
257	911113-1	PAN HEAD SCREW M4X10 WITH WR	2 PC.
258	231325-3	COMPRESSION SPRING 6	1 PC.
259	310803-7	TURN STOPPER	1
260	347217-7	LEVER PLATE	1

261	256186-0	PIN 5	1 PC.
262	911231-5	PAN HEAD SCREW M5X20	2 PC.
263	347219-3	STOPPER HOLDER	1
264	326971-6	LOCK ROD	1
265	457656-4	LOCK LEVER	1
266	326969-3	LOCK PIN 6	1
267	256158-5	PIN 3	1 PC.
268	231325-3	COMPRESSION SPRING 6	1 PC.
269	347237-1	CAM PLATE	1
270	319592-1	PIN HOLDER	1
271	922231-0	HEX. SOCKET HEAD BOLT M5X20	2 PC.
272	347216-9	LOCK PLATE	1
274	326972-4	ROD 6	1
275	961011-9	STOP RING E-4	1 PC.
276	257425-1	RING 5	2
277	253194-2	FLAT WASHER 5	2 PC.
278	922231-0	HEX. SOCKET HEAD BOLT M5X20	2 PC.
279	911113-1	PAN HEAD SCREW M4X10 WITH WR	1 PC.
280	144656-0	LEVER 25 COMPLETE	1
C10	263005-3	RUBBER PIN 6	1 PC.
281	911008-8	PAN HEAD SCREW M3X8	1 PC.
282	345272-3	LOCK LEVER PLATE	1 PC.
283	273015-2	GRIP 50A	1
284	266026-4	TAPPING SCREW BIND CT 4X12	2 PC.
285	457655-6	SLIDE PLATE	1
286	347223-2	MITER SCALE PLATE	1
287	251546-1	+ PAN HEAD SCREW M5	4
288	347218-5	MITER LOCK PLATE	1
289	265786-5	SCREW M5X16	2 PC.
290	319560-4	BASE	1
291	421845-7	FOOT	4 PC.
292	267195-4	FLAT WASHER 4	4 PC.
293	266026-4	TAPPING SCREW BIND CT 4X12	4 PC.
294	326978-2	HOLDER 200	2
295	961015-1	STOP RING E-9	2 PC.
296	266026-4	TAPPING SCREW BIND CT 4X12	1 PC.
297	266318-1	H.S.SET SCREW(FLAT POINT)M4X6	1 PC.
298	931102-0	HEX. NUT M4	1 PC.
A01	122852-0	DUST BAG ASS'Y	1 PC.
C10	410602-8	FASTENER	1 PC.
A02	126617-2	WISE ASS'Y	1
A03	762001-3	TRIANGULAR RULE	1 PC.
A04	783208-8	HEX. WRENCH 2.5	1 PC.
A07	781044-6	HEX. WRENCH 6	1
A08	***DC18RD	DC18RD TWO PORT FAST CHARGER	1 (XSL06PT)
D10		COMPO-PARTS	(XSL06PT)
A09	BL1850B	BATTERY BL1850B SET (197283-2)	2 (XSL06PT)
A10	450128-8	BATTERY COVER	2 PC. (XSL06PT)





Model WST06 Parts List

A = Standard Equipment

O = Circuit Diagram

Item#	Part#	Description	Q'ty	Unit
001	JM23400040	KNOB	2	PC.
002	JM21000060	FLAT WASHER 8	2	PC.
003	JM23600001	SET PLATE	1	
004	JM23600002	H.S.BOLT M4X6	1	
005	JM23600003	SUPPORT BRACKET	1	
006	JM23600004	COVER	2	
007	JM23600005	SLEEVE	2	
008	JM23600006	LOCK KNOB A	2	
009	JM23600015	RAIL COVER	2	
010	JM23600016	LOCK KNOB B	2	
011	JM23600012	HEX NUT M8	2	
012	JM23600014	CROSS HEAD SCREW M4	4	
013	JM21000026	FLAT WASHER 4	4	PC.
014	JM23600013	FIX LINK PLATE	4	
015	JM23600059	HEX BOLT M8	4	
016	JM21000059	SPRING WASHER 8	4	PC.
017	JM21000060	FLAT WASHER 8	4	PC.
018	JM23600029	SLIDING RAIL	2	
019	JM23600028	SLOT NUT M8	4	
020	JM23600027	HEX BOLT M8	4	
021	JM23600026	FOOT	4	
022	JM21000058	HEX NUT M8	4	PC.
023	JM2361A006	SPACER PLATE COMPLETE	2	
	D10	INC.24,25		
024	JM23680006	INDICATION	2	
025	JM23600062	SPACER PLATE	2	
027	JM21000106	LOCKNUT M8	2	PC.
028	JM23600030	FLAT WASHER 8	2	
029	JM23600025	LOCK HANDLE	2	
030-1	JM23610051	BRACKET SET	1	PC.
	C10	JM23600023	LOCK BRACKET	2
	C20	JM23600024	PAD PLATE	8
	D10	INC. 15-22,27-29,31-43		
031	JM23600031	HEX BOLT M8	4	
032-1	JM23600064	HOOK	2	
033	JM21000026	FLAT WASHER 4	4	PC.
034	JM21000027	SPRING WASHER 4	4	PC.
035-1	JM23600065	H.S.BOLT M4X20	4	
036	JM23600022	BOLT M8	2	
037	JM23600021	SPRING	2	
038	JM23600020	LOCK BLOCK	2	
039	JM23600019	FLAT WASHER 6	2	
040	JM21000034	SPRING WASHER 6	2	PC.
041	JM23600018	H.S.BOLT M6	2	
042	JM21000060	FLAT WASHER 8	4	PC.
043	JM21000106	LOCKNUT M8	4	PC.
044	JM23600017	SELF-TAPPING SCREW ST4.2	2	
045	JM23610002	MAIN FRAME COMPLETE	1	
	C10	JM23600032	MAIN FRAME	1

C20	JM23680002	MAKITA LOGO LABEL	2
C30	JM23680004	CAUTION LABEL	2
046	JM23600033	TUBE	1
047	JM23600012	HEX NUT M8	2
048	JM23600011	CARRY HANDLE	1
049	JM21000060	FLAT WASHER 8	2 PC.
050	JM23600010	H.S.BOLT M8X12	2
051	JM23600007	EXT. WING	2
052	JM23600008	PAD A	6
053	JM23600009	PAD B	2
054	JM21000026	FLAT WASHER 4	2 PC.
055	JM23600014	CROSS HEAD SCREW M4	2
056	JM23400038	SPACER	2 PC.
057	JM23400035	ROLLER COVER	2 PC.
058	JM21000106	LOCKNUT M8	2 PC.
059	JM23400036	ROLLER	1 PC.
060	JM23600034	H.S.BOLT M8	2
061	JM23600035	ROLLER SUPPORT	1
062	JM23600002	H.S.BOLT M4X6	1
063	JM23600053	H.S.BOLT M6	4
064	JM21000034	SPRING WASHER 6	4 PC.
065	JM21000035	FLAT WASHER 6	4 PC.
066	JM21000060	FLAT WASHER 8	2 PC.
067	JM23600056	BOLT M8	2
068	JM23600055	WHEEL BRACKET	2
069	JM21000106	LOCKNUT M8	2 PC.
070	JM23600057	WHEEL	2
071	JM23600054	MAIN SUPPORT BRACKET A	1
072	JM21000035	FLAT WASHER 6	8 PC.
073	JM21000034	SPRING WASHER 6	8 PC.
074	JM23600053	H.S.BOLT M6	8
075	JM23600052	MAIN SUPPORT BRACKET B	1
076	JM23600053	H.S.BOLT M6	2
077	JM21000034	SPRING WASHER 6	2 PC.
078	JM21000035	FLAT WASHER 6	2 PC.
079	JM23600036	PULL HANDLE	1
080	JM21000063	HEX NUT M6	2
081	JM23600037	BOLT M8	4
082	JM23600041	FRICTION PAD 8	4
083	JM23600041	FRICTION PAD 8	4
084	JM21000106	LOCKNUT M8	4 PC.
085	JM23600042	E RING 6	4
086	JM21000060	FLAT WASHER 8	4 PC.
087	JM23600040	POSITION SPRING	4
088	JM23600039	FRICTION PAD 13	4
089	JM23600038	PIN	4
090	JM23610003	LEG A COMPLETE	1
C10	JM23600043	LEG A	1
C20	JM23600044	LEAF PLATE	1
C30	JM23600045	RIVET	1
C40	JM23680003	MAKITA LOGO LABEL	1
091	JM23610005	LEG C COMPLETE	1
C10	JM23600050	ADJUSTING BOLT	1
C20	JM23600051	LEG C	1
C30	JM23600044	LEAF PLATE	1
C40	JM23600045	RIVET	1

092	JM23610004	LEG B COMPLETE	1
	C10 JM23600046	LEG B	1
	C20 JM23600044	LEAF PLATE	1
	C30 JM23600045	RIVET	1
093	JM23610003	LEG A COMPLETE	1
	C10 JM23600043	LEG A	1
	C20 JM23600044	LEAF PLATE	1
	C30 JM23600045	RIVET	1
	C40 JM23680003	MAKITA LOGO LABEL	1
094	JM23600049	ADJUSTING NUT	1
095	JM23600048	LEG CAP B	1
096	JM23600047	LEG CAP A	3
A01	JM23600058	WRENCH 13	1
A02	JM23400087	HEX. WRENCH 5	1 PC.