

USER'S MANUAL

Dehumidifier



Before You Start

- ⚠ Please read all instructions carefully.
- ⚠ Retain instructions for future reference.
- ⚠ Separate and count all parts and hardware.
- ⚠ Read through each step carefully and follow the proper order.
- ⚠ We recommend that, where possible, all items are assembled near to the area in which they will be placed in use, to avoid moving the product unnecessarily once assembled.
- ⚠ Always place the product on a flat, steady and stable surface.
- ⚠ Keep all small parts and packaging materials for this product away from babies and children as they potentially pose a serious choking hazard.

Please keep this manual carefully for further reference!

Thank you for selecting our dehumidifier. Be sure to read this manual carefully before using it. Any questions, please contact the professional service for help.

1. BEFORE YOU BEGIN

Please read the operating instructions carefully before using your dehumidifier for the first time.

1.1 PRODUCT DESCRIPTION

The dehumidifier is used to remove excessive moisture from the air. The resulting reduction in relative humidity protects buildings and their contents from the adverse effects of excess humidity.

2. FOR YOUR SAFETY

Your safety is the most important thing we concerned!



Please read this manual carefully and fully understand before operating your dehumidifier.


2.1 OPERATIONAL PRECAUTIONS


WARNING- to reduce the risk of fire, electric shock or injury to persons or property:

- If the supply cord is damaged, it must be replaced by qualified persons in order to avoid a hazard.

- The appliance shall be disconnected from its power source during maintenance.
- Always operate the unit from a power source of equal voltage, frequency and rating as indicated on the product identification plate.
- Always use a power outlet that is grounded.
- Unplug the power cord when cleaning or when not in use.
- Do not operate with wet hands. Prevent water from spilling onto the unit.
- Do not immerse or expose the unit to rain, moisture or any other liquid.
- Do not leave the unit running unattended. Do not tilt or turn over the unit.
- Do not unplug while the unit is operating.
- Do not unplug by pulling on the power cord.
- Do not use an extension cord or an adapter plug.
- Do not put objects on the unit.
- Do not climb or sit on the unit.
- Do not insert fingers or other objects into the air outlet.
- Do not touch the air inlet or the aluminum fins of the unit.
- Do not operate the unit if it is dropped, damaged or showing signs of product malfunction.
- Do not clean the appliance with any chemicals.
- The unit shall be installed in accordance with national wiring regulations.
- Do not use means to accelerate the defrosting process or to clean, other than those recommended by the manufacture.

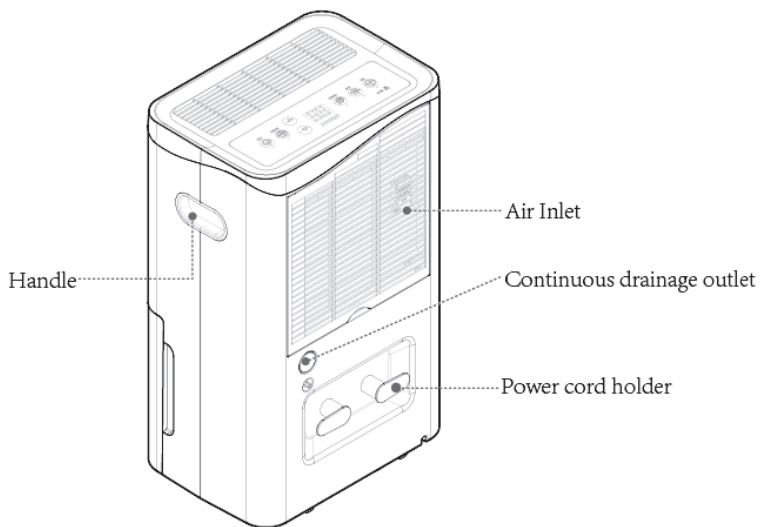
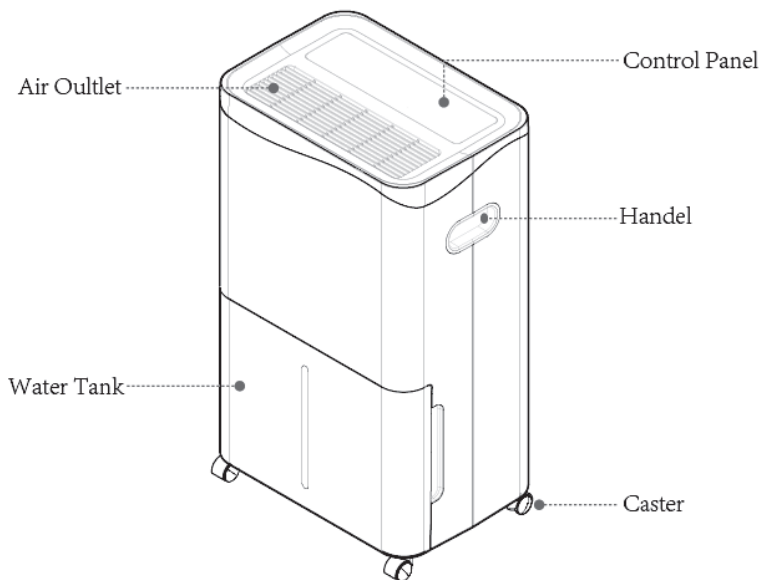
- The appliance shall be stored so as to prevent mechanical damage from occurring.
- Be aware that refrigerants may not contain an odour.
- Keep any required ventilation openings clear of obstruction.
- The appliance shall be stored in a well-ventilated area where the room size corresponds to the room area as specified for operation.

 Any person who is involved with working on or breaking into a refrigerant circuit should hold a current valid certificate from an industry-accredited assessment authority, which authorizes their competence to handle refrigerants safely in accordance with an industry, recognized assessment specification.

 Servicing shall only be performed as recommended by the qualified technician. Maintenance and repair requiring the assistance of other skilled personnel shall be carried out under the supervision of the person competent in the use of flammable refrigerants.
If you don't understand something or need help, please contact the qualified technician.

3. PRODUCT OVERVIEW

3.1 PRODUCT VIEW



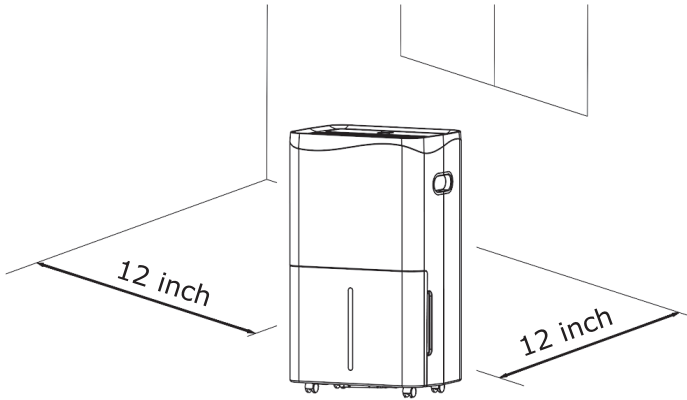
4. INSTALLATION

4.1 LOCATION

1. Place the unit on a firm, level surface in an area with at least 12 inch of free space around it to allow for proper air circulation.

2. Never install the unit where it could be subject to:

- In an area where oil or water may be splashed
- Direct sunlight
- Mechanical vibration or shock
- Excessive dust
- Lack of ventilation, such as cabinet or bookcase
- Uneven surface



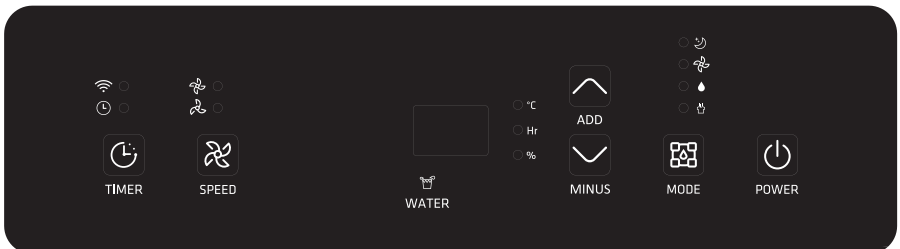
4.2 OPERATING THE DEVICE SAFELY

- Check the device after unpacking for any damages or scratches on it.
- Operate this unit in an ambient temperature from 41°F - 95°F.
- Do not use in the outdoors. This dehumidifier is intended for indoor residential applications only.

- Do not operate in close proximity to walls, curtains, or other objects that may block inlet and outlet.
- Keep the air inlet and outlet free of obstacles.
- Adjusting the wind deflector in the upward direction prior to start up.
- If tipped more than 45°, allow the unit to set upright for at least 24 hours before start up.
- Keep doors and windows close for better energy saving.
- Do not operate or store the unit in direct sunlight or rain.
- It is normal for air outlet to feel warm to touch after continuous operation on hot days.
- Empty the water tank before moving the device.
- Make sure the Water tank is correctly fitted otherwise the unit will not operate properly.
- The dehumidifier starts up in the mode selected when the unit was last used.
- There is a protective 3-minutes time delay of the compressor. Wait 3 minutes for the dehumidifier to resume dehumidification.

5. OPERATION

5.1 CONTROL PANEL





POWER

After switching on the power, all the indicators and the screen will be on for 1 second and then off, the power indicator will be on and the machine will be in standby mode.

Press this button again, the machine will stop running, the power indicator will be off.



MODE

Press this button, you can choose different mode.

The unit have Sleep mode, Fan mode, Auto dehumidifying mode and Continuously dry mode.

- Auto dehumidifying mode: When first turn on the unit, it will enter into auto dehumidifying mode or you can press the mode key to select this mode.

When ambient humidity $>$ set humidity +3%, the fan and compressor start working as set.

When ambient humidity $<$ set humidity -3%, the compressor stops working and the fan stops working after 30 seconds' delay.

Both fan speed and humidity can be adjusted under auto dehumidifying mode.

After setting the humidity, the LED back to display the ambient humidity.

- Continuously drying mode: The machine continues to run, not affected by ambient humidity.

The fan speed can be adjusted and the digital screen display the ambient humidity.

- Sleeping mode: Press the mode key to select the sleep mode.

In sleeping mode, if no operation in 10 seconds, the power indicator and sleep indicator turns dark gradually, and other indicators and digital screen are off.

Press any button will restored in normal display.

Other functions are the same as auto dehumidifying mode.

- Fan mode: Press the mode key to select fan mode.

The compress is not working, and the fan speed can be adjusted.

In fan mode, the setting humidity can not be adjusted, and the digital screen display the ambient humidity.



ADD



MINUS

Adjust the set humidity (30-80%) or timer (0-24h)



SPEED

Press this button to switch between high and low fan speed.



TIMER

Press this button can set timer and cancel timer.

In the non-timing state: Press the "timer" button to enter the timing setting state, and the digital flashing displays the timing time. During the blinking period, press the up or down key to adjust the timing time (0~24h).

In the timing state: Press the "timer" button to query the timing and blink to display the remaining timing time. Press the "timer" button again to cancel the timing during the blinking period.

In the running state, set the time to turn off the machine;
in the standby state, set the time to turn on the machine.

Long press "TIMER" button for 5 seconds, you can activate the wifi function, please refer to the wifi instruction below.

• **Intelligent defrosting:** When the defrosting signal is detected, the defrosting starts, and the mode indicator flashes.

If the digital screen Blinking and display E1, the compressor will running total of 30 minutes, then defrosts for 10 minutes.

WIFI Instruction:

Information on the App "**Smart Life**"

The "**Smart Life**" app is available for android and iOS.

Scan the corresponding QR code to get directly to the download.



Download Smart Life App



Information on How to Use the App

This appliance allows you to operate the appliance via your home net-work. A prerequisite is a permanent WIFI connection to your router and the free app "**Smart Life**".

1. Install the "Smart Life" app. Create a user account.
2. Activate the WIFI function in the settings of your appliance.
3. Place the appliance at a distance of about 16 ft to your router.
4. Long press the "timer" button for 5 Second to start the network configuration, the WIFI indicator flashes, after 3 minutes, the status will be canceled if there is no network configuration, and the indicator light is off.

WIFI Connected

- Method 1

Connected via Bluetooth

Open the bluetooth of your mobile phone or other device.

When WIFI indicator flashes, open "**Smart Life**" APP, the unit will connected via bluetooth automatically.

- Method 2

When WIFI indicator flashes, select "**Add Device**"-"**Small Home Appliances**"-"**Dehumidifier**", and follow the instructions on the display.

Check the status of the WIFI indicator and choose the correct status.

If the WIFI indicator flash rapidly, it can connected directly.

If the WIFI indicator flash slowly, press "**Go to Connect**" to connect the WIFI named "**SmartLife-XXXX**".

Remarks:

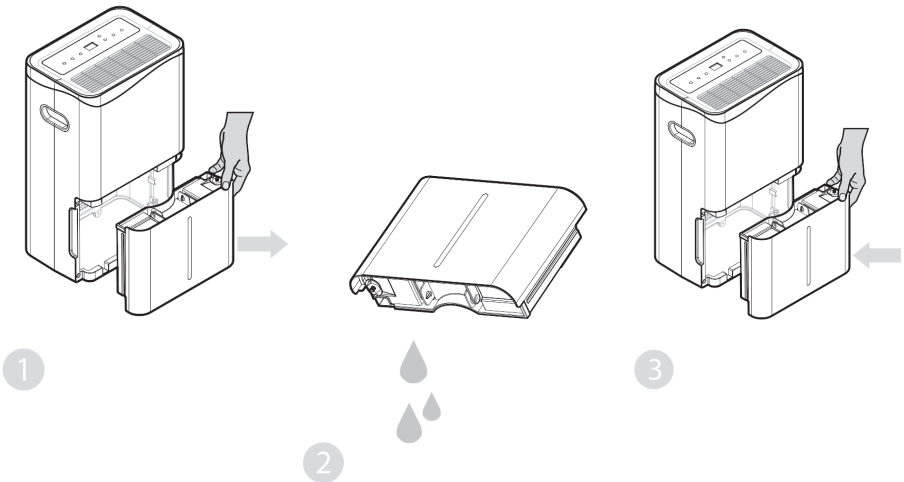
Once the appliance has been successfully connected, the WIFI lamp lights up. Now you can operate the appliance by using the app.

Press and hold the Timer button for about 5 seconds, the appliance disconnect, the WIFI lamp lights off.

DRAINAGE:

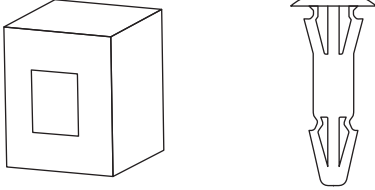
EMPTYING THE WATER TANK

- When the tank is full, The unit will turn off and make a buzzing sound, the "Water Full" light will turn on and the digital screen display "FL".
- Press the POWER button to turn off the unit.
- Pull on the water tank and simply slide out of the body of the dehumidifier.
- Empty the water into an area with a drain or outside.
- Clean the inside of the tank as well as the outside.
- Replace the empty tank back into the unit.
- Press the POWER button to resume operating.
- If the Water Full light does not extinguish, check that the float is correctly in place.



Warning

1. Do not discard water tank magnets and plastic rivets. Otherwise, the machine will not automatically stop working when the water tank is full, and the condensed water will overflow and damage the floor of the room.



2. Please be sure to clean the condensed water in the water tank before resetting the working mode of the machine.

3. If the water tank is dirty, rinse it with clean water. Avoid using detergents, steel balls, chemical dust removers, diesel oil, benzene, diluent or other solvents. Otherwise, the water tank will be damaged and leak

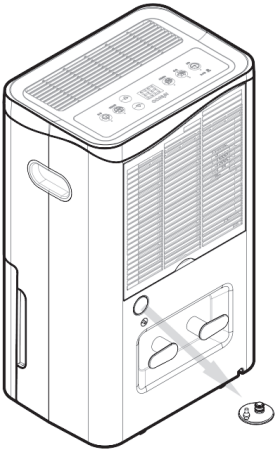
4. Replace the empty tank back into the unit. Otherwise, the water full indicator may remain red and the machine cannot restart.

CONTINUOUS DRAINING

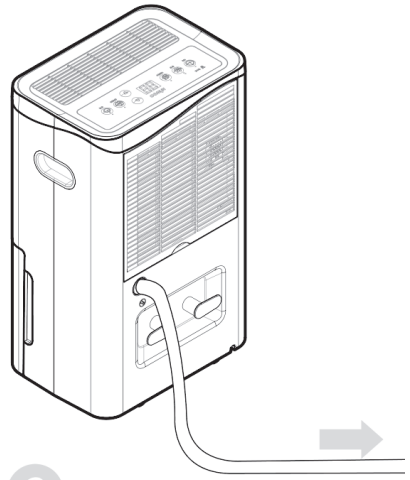
For continuous operation or unattended dehumidification, please connect the attached drain hose to the unit. Condensate water can be automatically flow into a bucket or drain by gravity.

1. Straighten the drainage pipe

2. Insert one end of the drain into the drain into the cistern hole and connect the other end to the bathroom, outdoor or bucket like container, or the prescribed drainage area.



1



2

⚠ Warning

1. Please do not block the drain or drain pipe, if the phenomenon of blocking, condensed water will flow into the water tank.

2. Please do not bend the drain pipe. The height of the drain pipe should be lower than the outlet.

3. The drain pipe shall be securely connected to the outlet;

MAINTENANCE

Note: before cleaning and maintaining the machine, be sure to turn off the machine and pull the power plug to prevent electric shock.

•CLEANING THE AIR FILTER (every two weeks)

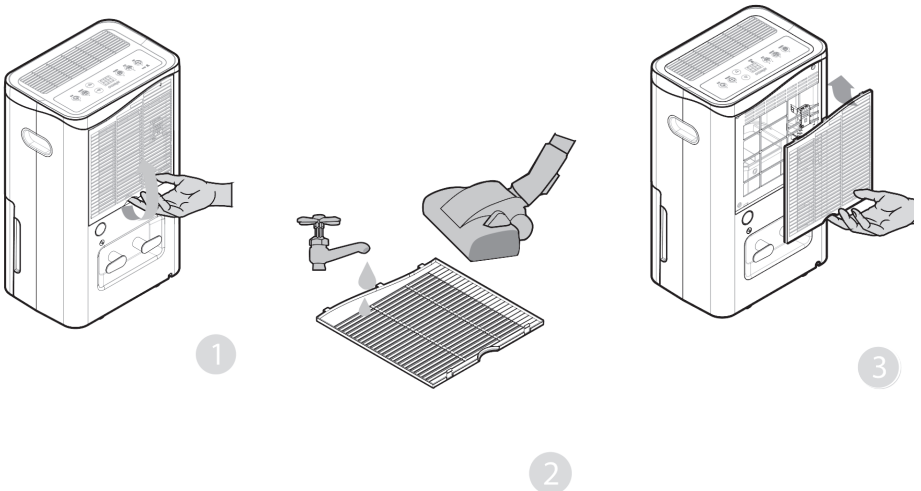
Dust collects on the filter and restricts the airflow. The restricted airflow reduces the efficiency of the system and if it becomes blocked it can cause damage to the unit.

The air filter requires regular cleaning. The air filter is removable for easy cleaning. Do not operate the unit without an air filter, or the evaporator may be contaminated.

1. Pull out the filter from the bottom of the rear shell;
2. Use a vacuum cleaner to gently absorb the dust on the surface.

If the filter is very dirty, wash it with water and a soft detergent and dry it thoroughly afterwards.

3. Put the filter back.



TROUBLE SHOOTING

1. **FUNCTIONING TEMP.**

41°F ≤ Ambient Temp. ≤ 95°F

When the ambient temp is lower or higher than the functioning temp, the dehumidifier stops.

When 41°F ≤ Ambient temp. ≤ 60.8°F, the compressor automatically defrosts at intervals; during defrosting, the compressor stops and the fan keeps running.

2. **BEFORE CALLING FOR SERVICE**

Before contacting qualified technician, please review the trouble shooting list that includes common occurrences that are not the result of a defect in workmanship or materials.

Problem	Possible Cause	Solution
Not working	No power supply	Connect to a functioning outlet and switch on
	Water Full Indication Flashes	Drain water tank and reset it, or re-position the water tank to right place
	Room temperature < 41°F, or >95°F	Self-Protection designed to protect the unit. Can not work under such temperature
Bad functioning	Is the air filter clogged?	Clean the air filter as instructed
	Is the intake duct or discharge duct obstructed?	Remove the obstruction from the discharge duct or intake duct.

No air intake	Is the filter clogged?	Wash the filter
Loud noise when running	Is the machine put in the plat place?	Put the machine on the plat ground
	Is the filter clogged?	Wash the filter
E1	Humidity sensor problem	Change a sensor
LO	Environmental humidity is below 20%	The dehumidifier shuts down for self- protection
HI	Environmental humidity is above 90%	
CL	Low temperature protection, the environmental temperature < 41°F	
CH	High temperature protection, the environmental temperature > 100.4°F	

DECOMMISSIONING

STORAGE

Long-term storage - If you will not be using the unit for an extended period of time (more than a few weeks) it is best to clean the unit and dry it out completely. Please store the unit per the following steps:

1. Press power button to switch off and unplug the unit.
2. Drain the remaining water from the unit.

3. Clean the filter and let the filter dry completely in a shaded area.
4. Collect the power cord at the water tank.
5. Re-install the filter at its position.
6. The unit must be kept in upright position when in storage.
7. Preserving the machine in ventilating, dry, non- corrosive gas and safe place indoor.

EMPTYING THE WATER TANK

The evaporator inside the machine has to be dried out before the unit is packed to avoid component damage and molds. Unplug the unit and place it in a dry open area for days to dry it out. Another way to dry the unit is to set the humidity point more than 5% higher than the ambient humidity to force the fan to dry the evaporator for a couple of hours.

DISPOSAL

WARNING!!!

Releasing refrigerant into atmosphere is strictly forbidden!
Do not dispose of electrical appliances as unsorted municipal waste, use separate collection facilities. Contact your local government for information regarding the collection systems available. If electrical appliances are disposed of in landfills or dumps, hazardous substances can leak into the groundwater and get into the food chain, damaging your health and well-being.

⚠ WARNING!!!

Releasing refrigerant into atmosphere is strictly forbidden!
Do not dispose of electrical appliances as unsorted municipal waste, use separate collection facilities. Contact your local government for information regarding the collection systems available. If electrical appliances are disposed of in landfills or dumps, hazardous substances can leak into the groundwater and get into the food chain, damaging your health and well-being.

