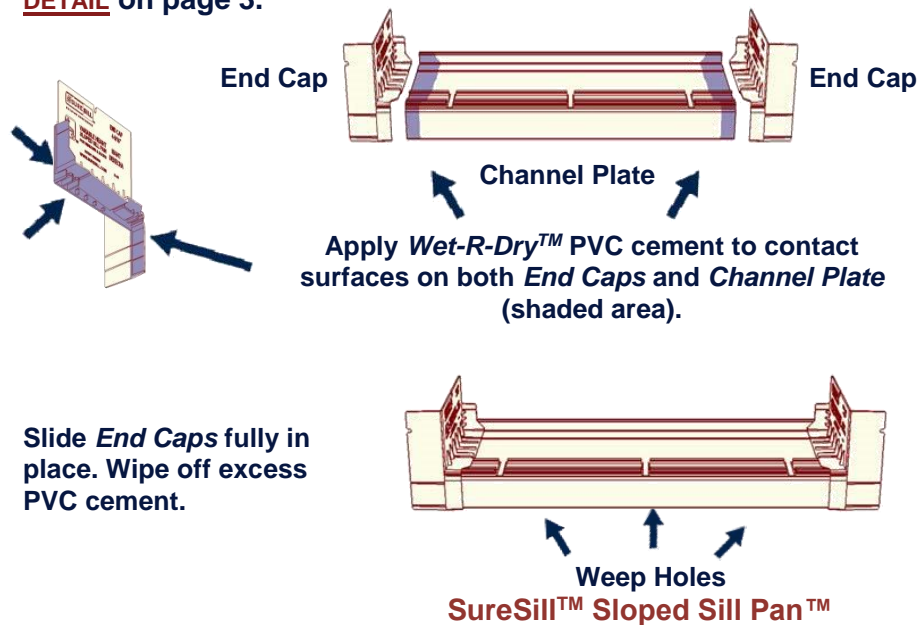


SURESILL™ WATER MANAGEMENT GUIDE FOR WINDOWS AND DOORS*1

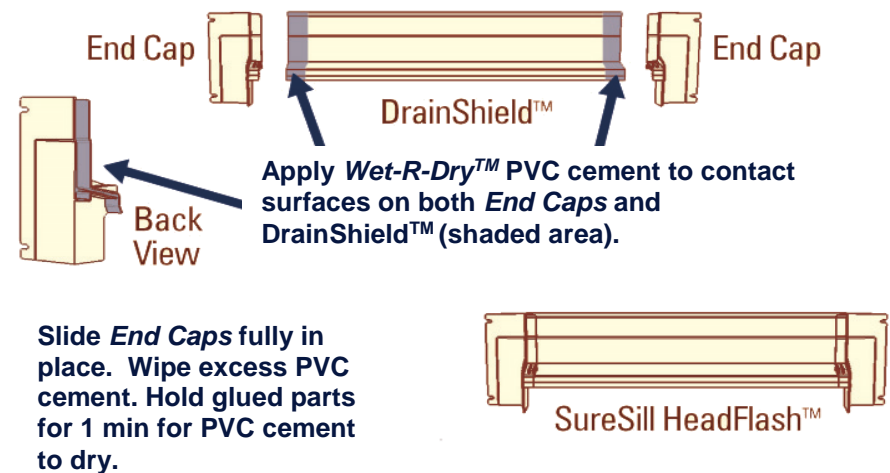
SLOPED SILL PAN™ ASSEMBLY

Cut the channel plate 1/4" smaller than the rough opening. Check the fit with end caps before gluing them. See Sill Pan Assembly [DETAIL](#) on page 3.



HEADFLASH™ ASSEMBLY

Measure the exterior width of the window/door, including any brick mold, and cut the *DrainShield™* to that measurement. Check fit with end caps before gluing. Remove any labels from contact surfaces.



RECOMMENDED PRODUCTS

SAF – Henkel/OSI BUTYLFLASH; DuPont™ FlexWrap™, DuPont™ StraightFlash™, DuPont™ StraightFlash™ VF SEALANT – Henkel/OSI® QUAD®MAX™; LOW EXPANSION FOAM –QUAD®FOAM by Henkel/OSI®

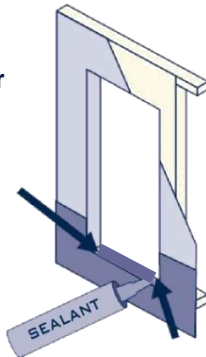
SureSill™ Water Management Guide*1

STEP 1

Install Drainage Skirt 6" above plate over any sub-floor area. See Sealing the Sill Pan [STEP 1 DETAIL](#)

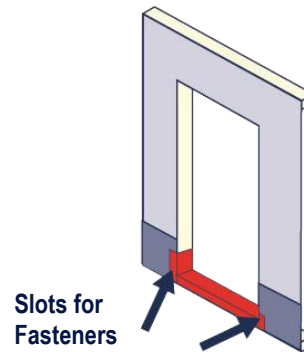
Apply sealant on concrete, sub-floor or base plate and 6" up the sides.

Install 12" wide water-proofing (SAF or similar) 6" above plate and over any sub-floor area.



STEP 2

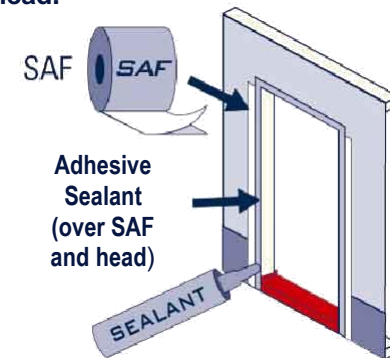
Install assembled SureSill™ Sloped Sill Pan™ plumb and leveled across entire rough opening, and secure to rough opening by fasteners in slots provided.



Slots for Fasteners

STEP 3

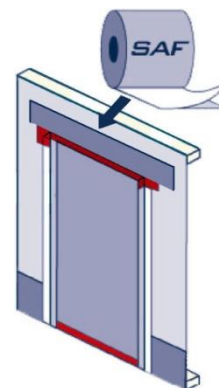
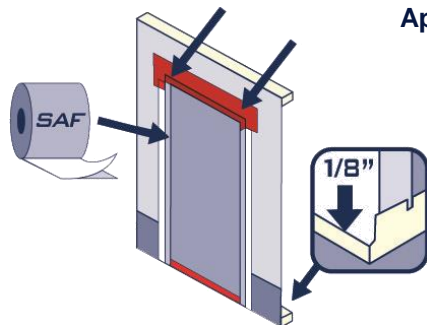
Use self adhering flashing (SAF) on rough jamb, over SureSill™ End Caps. Apply adhesive sealant to jambs and head.



STEP 4

Install window or door per OEM instructions. See [STEP 4 DETAIL](#) Install additional SAF at jambs (brick mold). Apply 3/8" bead of sealant behind the HeadFlash™. Install HeadFlash™ head flashing.

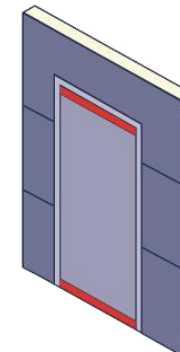
Apply SAF over the HeadFlash™



IMPORTANT: Seal the 1/8" gap behind window or door threshold with sealant and tool it flat. Back of the door/window casing should be grooved to accommodate for the sill pan.

STEP 5

Install WRB in shingle fashion, including over jamb flashing and head flashing. ALLOW FREE DRAINAGE FOR SURESILL™ SLOPED SILL PAN™ AND HEADFLASH™ DURING AND AFTER CONSTRUCTION. PAINTING IS RECOMMENDED FOR THE SURFACES EXPOSED TO EXTERIOR. APPLY FOAM TO THE INTERIOR SIDE TO SEAL THE GAP BETWEEN THE FRAME/JAMB AND THE ROUGH OPENING ON THREE SIDES (TWO VERTICAL AND ON TOP).

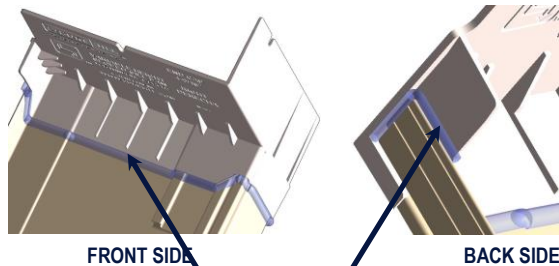


NOTE:
SURESILL™ SLOPED SILL PAN™ AND SURESILL™ HEADFLASH™ SHOULD BE INSTALLED AT THE SAME TIME A WINDOW OR DOOR IS BEING INSTALLED.

SureSill™ Water Management Guide*1

Installation Details

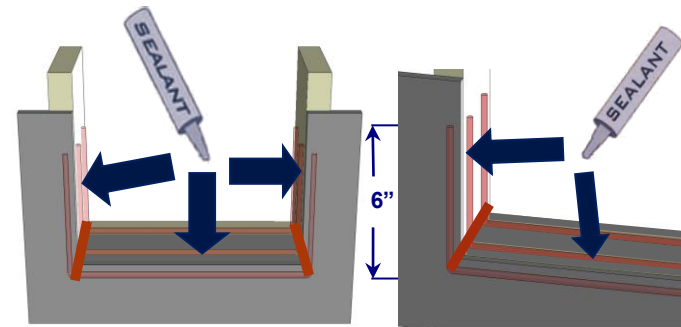
SILL PAN ASSEMBLY



DETAIL REMOVE LABELS FROM CONTACT SURFACES. AS PART OF THE SILL PAN ASSEMBLY APPLY SEALANT ALONG THE EDGE OF END CAP. WITHOUT PROPER ASSEMBLY THE SILL PAN WILL LEAK. SURESILL™ IFS™ SHOULD BE INSTALLED AT THE SAME TIME A WINDOW OR DOOR IS BEING INSTALLED.

Sealing the Sill Pan to WRB

STEP 1 DETAIL - Seal the front lip of the Sill Pan to WRB or to Drainage Skirt. Seal between the sill pan and the rough opening by applying sealant on the bottom of the rough opening and 6" on the sides as indicated. This should provide a barrier against both moisture and air infiltration between the sill pan and the rough opening. Use 5/8" thick bead of sealant.

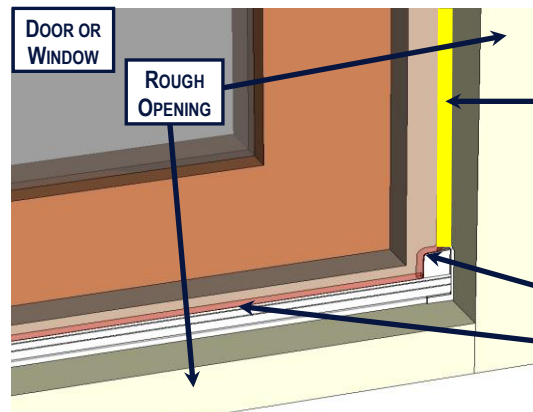


SEALING AGAINST AIR AND WATER INFILTRATION

STEP 4 DETAIL

To prevent air and water infiltration seal between the back of the sill pan and the back of the jamb/sill and between the jamb and the rough opening.

NOTE *2: THE BEAD OF SEALANT SHOULD BE CONTINUOUS AND TOOLED FLAT. SOME SEALANTS MAY HAVE ADVERSE REACTION WITH CERTAIN SELF ADHERING FLASHING PRODUCTS. PLEASE VERIFY COMPATIBILITY WITH THE MANUFACTURER. THE FOAM AND THE SEALANT SHOULD OVERLAP AND HAVE AN AIR-TIGHT JOINT.



2. APPLY CONTINUOUS LOW EXPANSION FOAM OR SEALANT BETWEEN THE JAMB AND THE ROUGH OPENING ON THREE SIDES (TWO VERTICAL SIDES AND ON TOP) TO PREVENT AIR AND WATER INFILTRATION.

1. APPLY CONTINUOUS BEAD OF SEALANT BETWEEN THE BACK EDGE OF THE SILL PAN AND THE SILL OR JAMB, AND BETWEEN THE BACK EDGE OF END CAPS AND THE JAMB TO PREVENT ANY AIR AND WATER INFILTRATION.

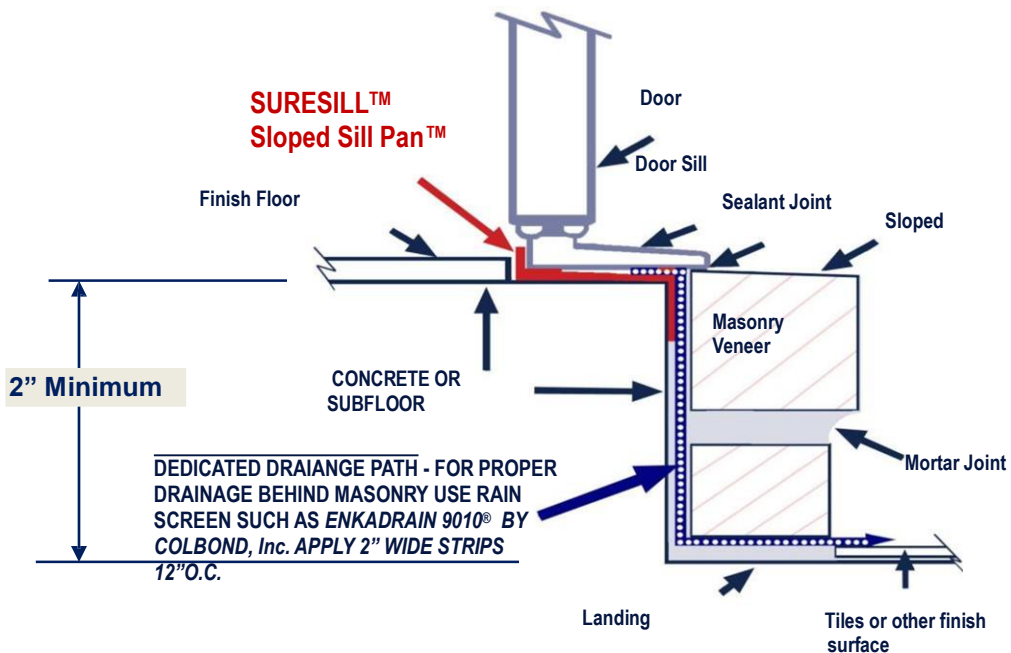
NOTE *1: Recommended rough opening size is 3/4" larger than the window/door frame. This is a generic Water Management Guide and it is not intended to alter Window and Door Manufacturer's (OEM) recommendations. Please notify SureSill prior to installation if any steps are contradictory to OEM's installation instructions. SureSill recommends that OEM approves the rough opening size, the installation method and all products used prior to installation.



EXTERIOR DOOR SOLUTIONS

EXTERIOR DOOR DRAIN DETAIL

1. STEP DOWN LANDING – RECOMMENDED



**Fig. 1 EXTERIOR DOOR WITH STEP-DOWN LANDING
With Masonry Veneer - Door Drain Detail**

Step Down Landing should be minimum 2".

Install SureSill™ System per SureSill Water Management Guide

Instead of Masonry Veneer, other exterior cladding can be installed, such as Stucco, Siding, etc., however, a Dedicated Drainage Path proper drainage should always be installed.

Install SureSill™ System per SureSill Water Management Guide



2. CONTINUOUS SLAB (ON-GRADE) EXTERIOR DOOR DRAIN DETAIL INCLUDING ADA DOORS

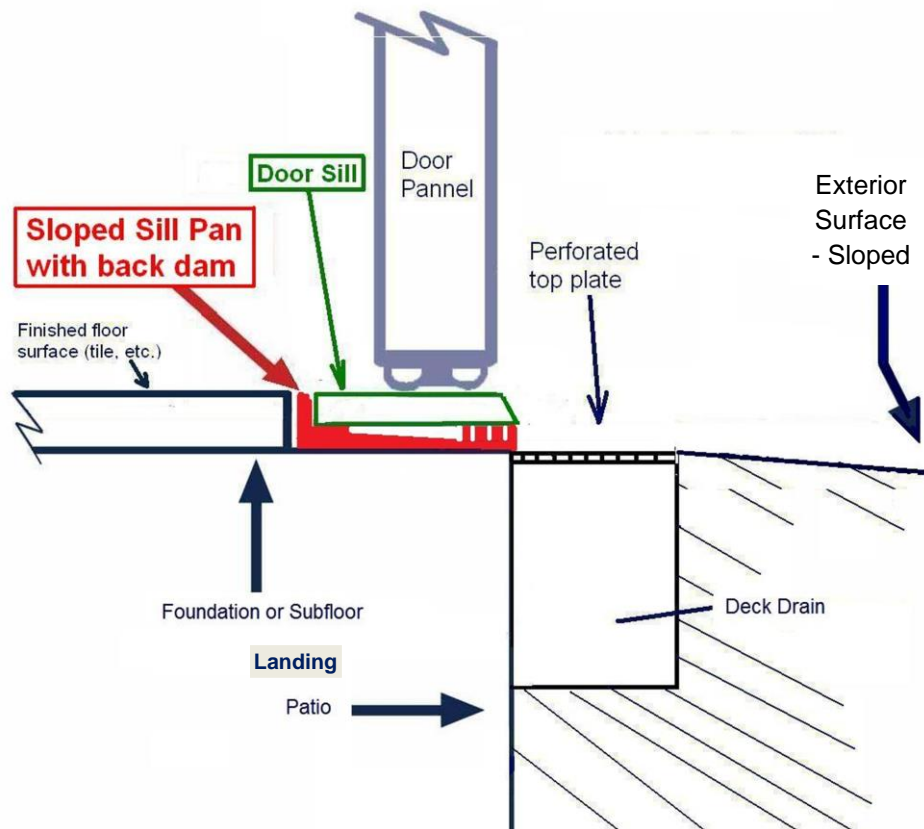


Fig. 2 CONTINUOUS SLAB EXTERIOR DOOR DRAIN DETAIL

Deck Drain should be installed to evacuate the water with an open end away from the building.

Exterior Surface should slope away from the building.

Install SureSill™ System per SureSill Water Management Guide

Recommended products for Deck Drain: *Super Drain by Stegmeier Corporation*

http://www.stegmeier.com/index.php?option=com_content&view=article&id=83&Itemid=111

SureSill, HeadFlash and HeadFlash-Flex are Patented and Patent Pending Technologies made only by Suresill, Ltd. SureSill™, HeadFlash™, HeadFlash-Flex™, Wet-R-Dry™, DrainShield™, and SideFlash™ are the exclusive of SureSill, Ltd. © Copyright SureSill, Ltd. 2004 - 2016. All rights reserved. 20130417