

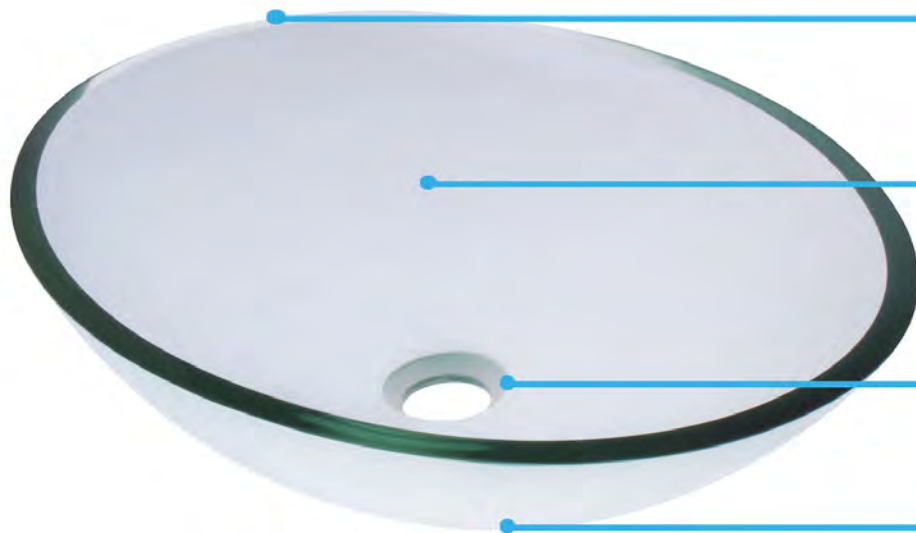


NOVATTO

WHERE STYLE FLOWS

Glass Vessel Sink Guide

P: 844.404.4242 | support@novattoinc.com | NovattoInc.com | [#WhereStyleFlows](https://www.instagram.com/WhereStyleFlows)



Glass Thickness

1/2" - 3/4"

High Tempered Glass
For Strength & Safety

Drain Opening
1.75" Standard

Installation
Above Counter

THANK YOU

We would like to take this opportunity to thank you for choosing Novatto. We hope you are truly satisfied with our product(s) and enjoy it for years to come. As a small business, we learn the most from you, the customer. Please visit the link below to leave us a review and we'll reward you with a \$25 Amazon or Visa gift card.

It's easy as...

- Go to novattoinc.com
- In the search bar, type in model ID
- Click on your model
- Click the *register and review* button
- Review, submit and enjoy

GLASS VESSEL SINK INFORMATION

Novatto's glass vessels use advanced technology, including computerized glass processing and Italian furnaces, giving our glass basins unmatched structural integrity. Glass is a great way to harmonize the decor of bathroom projects by unifying color and textural design of the bathroom.

When a bath demands superior design and quality, Novatto's glass vessels add that touch. Each glass sink features its own beauty of color, structural character and texture adding a sense of purity, elegance and distinctive look to any design.

TOOLS NEEDED FOR ASSEMBLY

(not included)



1 5/8" Hole Bit

Clear
Silicone Sealant

NOVATTO
WHERE STYLE FLOWS

Novatto | P: 844.404.4242
support@novattoinc.com
NovattoInc.com



Questions, problems, missing parts? Before returning call our customer service department at 844.404.4242, 8:00 a.m. - 5 p.m., MST Monday - Friday or e-mail us support@novattoinc.com

INSTALLATION INSTRUCTIONS



DIACCIO NOHP-Go17

Glass Vessel Sinks

Please Note:

- Review and abide by all building and plumbing codes.
- Novatto sinks need to be installed by a professional.
- Some counters require different cutting methods; seek the details of your chosen countertop material.
- Check to make sure the sink is sealed watertight.

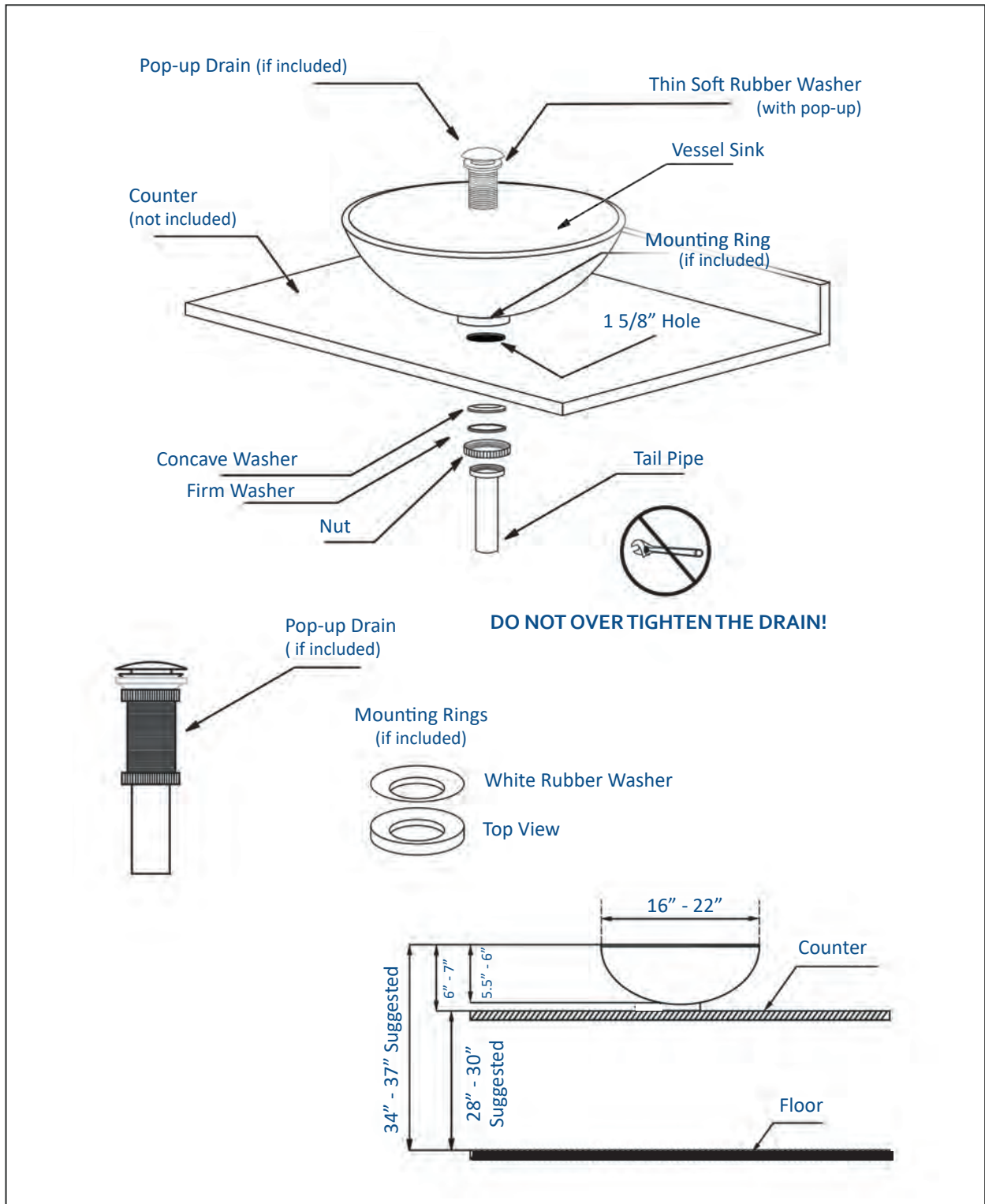
Novatto's vessel sinks can be installed sitting on the countertop or recessed - up to a third or even half of the sinks height. You may want to figure out your ideal vessel sink height before you begin. The finished height is a personal preference. Most vanity heights are set at 30"-32". After a vessel sink is mounted on top of the counter, the vessel height will be 34"-36" unless it has been recessed.

Steps to Complete Your Project

- **Layout and place** the sink and faucet of your choice in the desired location. Using a pencil, mark the bottom of the sink hole and faucet base. Consider the flow of the faucet when marking the location.
- **Drill the countertop** for sink drain opening with a 1 5/8" drill bit.
- **Place the vessel** on top of the counter and make sure the drain fits down inside of the counter. If a mounting ring is preferred, Novatto provides them in three finishes to match the faucet and drain. The mounting ring elevates the sink 1/2". It also provides stabilization and more cleaning room underneath the vessel. Due to design considerations, a mounting ring is not always necessary. To lower the height of the sink, simply enlarge the hole. The larger the hole, the more stability you will also achieve in installation.
- **Use a bead** of clear silicone to seal between the outside edge of vessel where it is mounted to the mounting ring or counter.
- **Use a level** to ensure the vessel is level in every direction and install the drain.
- **Secure the vessel** to the counter with fastener on the drain. Be sure to not over tighten the drain assembly. Hand tightening will be sufficient. The breakage seen with vessels is usually related with improper installation of the drain.

When cleaning up after installation, do not use abrasive cleaners. Ideally, the best way to care and keep your sink like new is to protect it with **Glacier Ice**. This nanotechnology will prevent any hard water spots or oxidation on the sink and faucet. For everyday cleaning simply use a soft cloth, soap and warm water.

ASSEMBLY



TROUBLESHOOTING TIPS

| <u>Issue</u> | <u>Reason</u> | <u>Solution</u> |
|---------------------------|--|---|
| Sink wobbles or is loose | Mounting ring not used; drain is loose | Use mounting ring with silicone; tighten drain |
| Does not completely drain | Pop-up is too high, wrong seal used | Make sure correct seal is used and is below bevel |
| Leakage under sink | Drain has come loose | Tighten the fastener under the countertop |



CARE AND MAINTENANCE

NSFC-0088031ORB Set

Glacier Ice

Glacier Ice (if included) will protect sinks, faucets and shower doors from mineral buildup and hard water spots. This pre-soaked cloth will cover up to 40 sq. ft. and is reusable for multiple uses.



Glacier Ice Faucet and Sink professional sealer kit will not only restore sinks, faucets and shower doors from hard water spots and mineral buildup. It will also protect from future corrosion, oxidation, mold and mildew. Treats up to 100 sq. ft.

Novatto's glass vessel sinks are incredibly easy to clean and maintain. To keep glass sinks in pristine condition simply wipe down with a soapy sponge or soft cloth, rinse and dry. A glass cleaner such as Glacier Ice or any other non-abrasive glass cleaner may be used if grime or minerals build up.

Caution: Do NOT use metal brushes, scouring pads or any abrasive cleaners when cleaning glass sinks as this may scratch the glass. If the bottom of the glass sink is hand painted use basic soap and water as other cleaners may discolor or damage the paint.

Due to the unique hand crafted quality of Novatto's painted glass sinks; color, variance and design pattern may vary from sink to sink. Tempered glass is a glass processed by controlled thermal or chemical treatments to increase its strength as compared to normal glass. Novatto's in house testing have found them very durable and forgiving. Normal items such as toothbrushes, small jewelry, bottles, etc. will not break a Novatto glass sink. Novatto recommends using a professional plumber when installing your glass sink. Do not allow the glass vessel sink to come in contact with steel or other glass objects which could scratch or damage the sink.

FAQs



PROTECT YOUR INVESTMENT

What is the best way to care for my Novatto glass vessel?

Ultimately, the best way to care and keep your sink like new is to protect it with **Glacier Ice**. This nanotechnology will prevent any oxidation or hard water spots on the sink and faucet. For everyday cleaning simply use a soft cloth, soap and warm water.

Is there a template available for the glass sinks?

Yes, they may be obtained off our website at NovattoInc.com. We always recommend using the actual sink for desired placement before making any cuts in the counter.



NSFC-031057ORB

May I use a drain or mounting ring from another vendor?

Yes, drains and mounting rings from other manufacturers will be compatible with our glass vessel sinks.

Is the drain or mounting ring included with my purchase?

It may be, we offer our sinks individually or as a combo. Double check your purchase for details. We recommend using a pop-up drain and mounting ring with our glass vessel sinks.

Do these glass vessel sinks have overflows?

No, none of our glass vessel sinks have overflow holes.

How durable is Novatto's high tempered glass?

Tempered glass is a glass processed by controlled thermal or chemical treatments to increase its strength compared to normal glass. Our in house testing has found them to be very durable and forgiving. Normal items such as toothbrushes, small jewelry etc., will not break a Novatto glass sink. High tempered glass is regarded as safe glass, meaning if it breaks it will disintegrate into small blunt pieces.

NOVATTO
WHERE STYLE FLOWS

More questions? Feel free to contact our technical support team anytime. More info is also available at our website.

Novatto | P: 844.404.4242
support@novattoinc.com
NovattoInc.com

WARRANTY

Novatto products have been made under the highest standards of craftsmanship and quality. Each product of ours undergoes strict quality control testing to ensure years of enjoyment. Novatto's glass sinks offer a warranty for defects in workmanship and/or materials when the product was purchased through an authorized Novatto dealer. Novatto's tempered glass sinks are backed by Novatto's Lifetime Limited warranty. Novatto warrants to the original consumer purchaser for as long as the original consumer purchaser owns their home (the "Warranty Period" for homeowners), this sink will be free from defects in material and workmanship. All other purchasers including purchasers for industrial, commercial and business use are excluded from this warranty. Warranties are not transferable, between homes or owners and are only applicable to residential use.

Under no circumstance will Novatto be held responsible for any damage as a result during or after product installation. We will not be responsible for any labor or installation charges, freight cost, lost profit or any other expenses associated with a defective product. Novatto's only responsibility is the replacement, exchange, or repair of a defective product. Novatto will not be responsible for product failures due to lack of maintenance. We will not be held responsible for any damage or product failure due to improper installation, misuse, or failure to use a licensed professional. Please read the care and maintenance documentation to determine the limits of proper use.

If you believe you have a warranty claim, contact Novatto, either through your local Dealer, Plumbing Contractor, Home Center, or by writing: Novatto Inc, Attn.: Product Support, 3533 E. Corona Ave., Phoenix, AZ 85048, USA. Please be sure to provide all pertinent information regarding your claim, including a complete description of the problem, the product, model number, color, finish, the date the product was purchased and from whom the product was purchased. Also include the original sales receipt. For other information, or to obtain the name and address of the service and repair facility nearest you, email: support@novattoinc.com.

Novatto makes no implication that our products comply with any or all local building or plumbing codes. It is the consumer's responsibility to determine local code compliance. This warranty extends to the original purchaser and first consumer.

Get the most out of your Novatto sink by registering!

By registering, you verify the Novatto product's warranty. Plus you will receive helpful tips, learn of special events and much more!

Need more help?

Feel free to contact our technical support anytime at 844.404.4242 or email us at: productsupport@novattoinc.com. More information is also available at: www.NovattoInc.com.