

# Parts Catalog

## 42in Bagger

### Zero-Turn-Radius Riding Mower

Model No. 79394—Serial No. 316000001 and Up



# Ordering Replacement Parts

To order replacement parts, please supply the part number, the quantity, and the description of each part desired.

## Understanding Reference Numbers

Each identified part in an illustration has a reference number. The reference number for a part also appears in the parts list, along with other information about the part.

This catalog uses two special reference number formats, one to indicate parts in a service assembly and another to indicate the quantity of a given part in an illustration.

## Service Assembly Reference Numbers

Parts in service assemblies have reference numbers in the form a:b. The a represents the reference number of the entire service assembly and the b represents a sequential number unique to each part within the service assembly.

For example, a wheel assembly might be identified by reference number 6, the tire by 6:1, the valve by 6:2, and the wheel by 6:3. When you order the assembly identified by reference number 6, you receive all parts identified by reference numbers 6:1, 6:2, and 6:3. However, you may also order any part individually. Reference numbers of this type appear in illustration and in parts lists.

## Reference Numbers Indicating Quantity

In an illustration, if a reference number indicates more than one part, the reference number has the form nX y. The n represents the quantity of the part, the X is the multiplication symbol, and the y represents the reference number.

For example, in an illustration, the reference number 2X 37 means that two of the parts identified by reference number 37 are indicated.

# List of Abbreviations

**AR:** as required

**ASM:** assembly

**BBC:** blade brake control

**BHTF:** button head thread forming

**CARR:** carriage

**CCW:** counter clockwise

**CW:** clockwise

**DEG:** degrees

**DPA:** Dual Point Adjustment

**ECM:** electronic control module

**EXT:** external

**FH:** flat head

**GA:** gauge

**HD:** heavy-duty

**HF:** hex flange

**HH:** hex head

**HHF:** hex head flange

**HHFTF:** hex head flange thread forming

**HJ:** hex jam

**HLH:** hex lag head

**HOC:** height-of-cut

**HP:** high pressure

**HSBH:** hex socket button head

**HSFH:** hex socket flat head

**HSH:** hex socket head

**HWH:** hex washer head

**HWHTF:** hex washer head thread forming

**HYD:** hydraulic

**LH:** left hand

**LP:** low pressure

**LPG:** Liquefied Petroleum Gas

**NI:** nylon insert

**NPTF:** national pipe thread fine

**PFH:** phillips flat head

**PPH:** phillips pan head

**PPHTF:** phillips pan head thread forming

**PRH:** phillips round head

**PTH:** phillips truss head

**PTO:** power-take-off

**RH:** right hand

**ROPS:** roll-over protection system

**RRB:** rear roller brush

**SFH:** slotted fillister head

**SHH:** slotted hex head

**SHWH:** slotted hex washer head

**SPH:** slotted pan head

**SQH:** square head

**SRH:** slotted round head

**STD:** standard

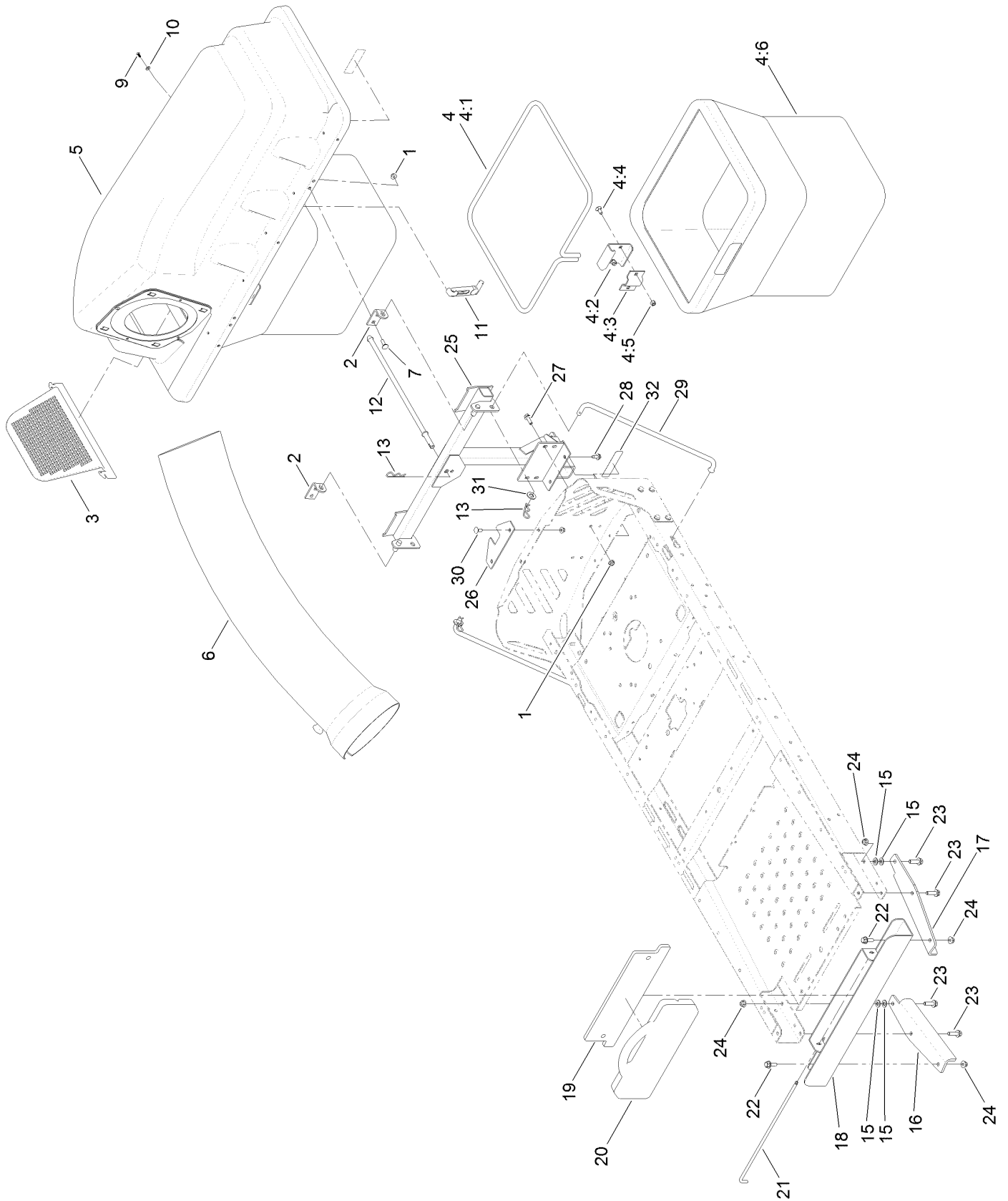
**TAP:** self tapping

**TTH:** torx truss head

# Contents

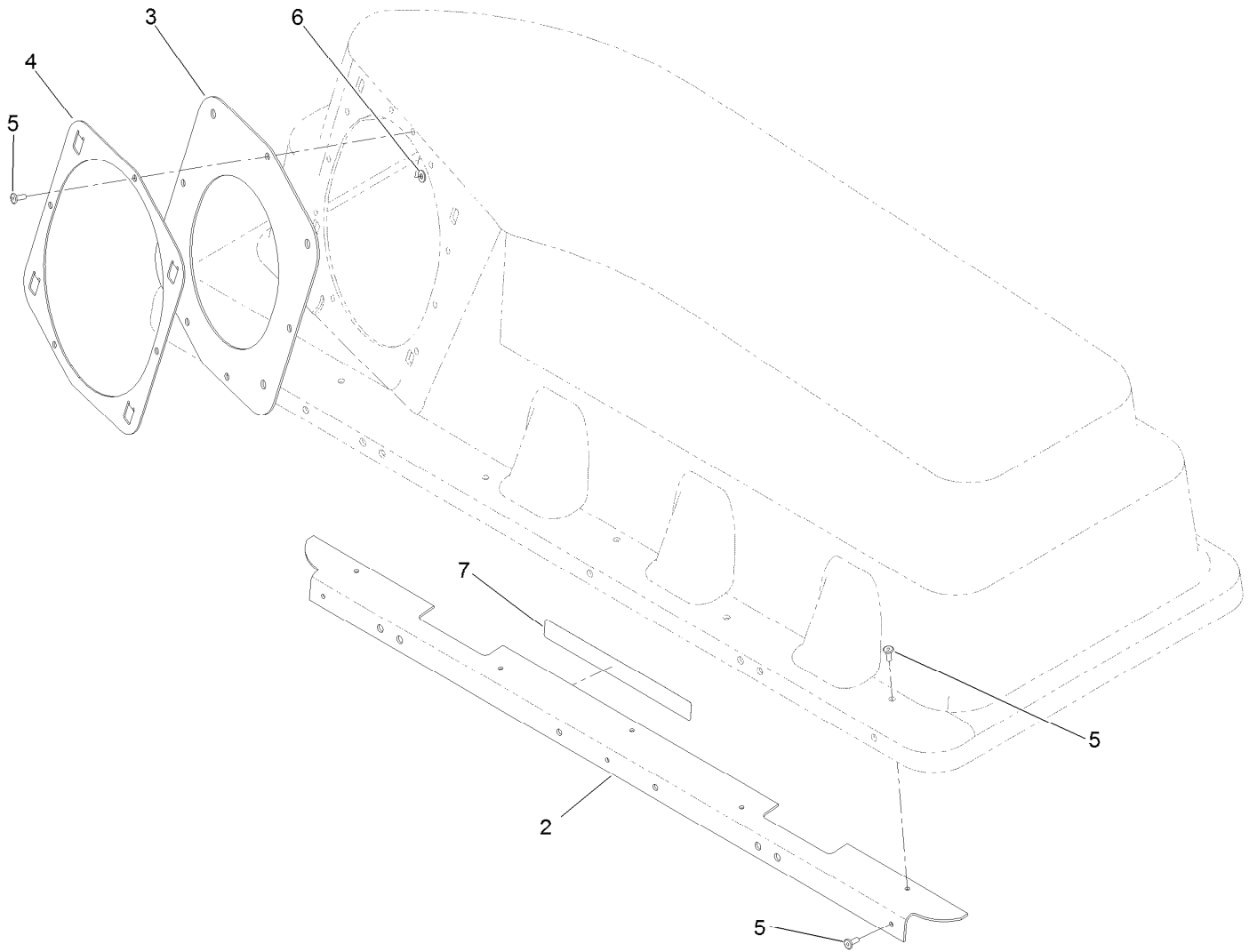
Frame and Bag Assembly.....	4
Bagger Top Assembly No. 131-8654 .....	6
42 Inch Chute Mounting Assembly .....	7
42 Inch Chute Assembly No. 121-5650 .....	8

# Frame and Bag Assembly



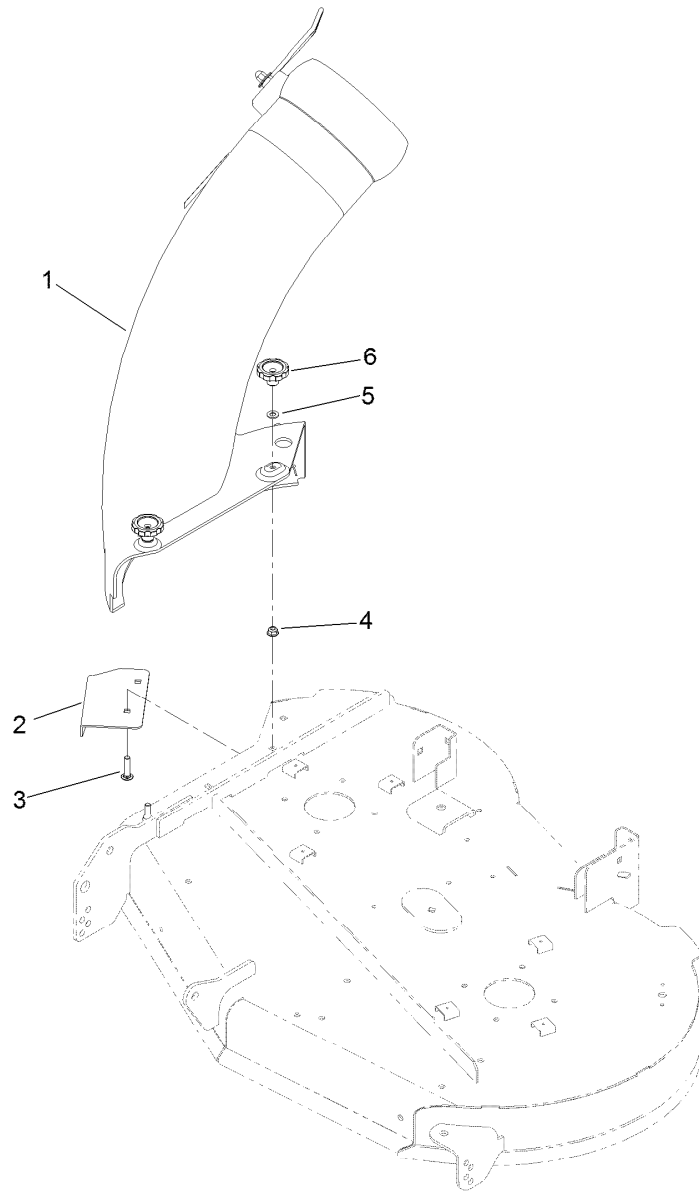
## Frame and Bag Assembly (continued)

<i>Ref.</i>	<i>Part Number</i>	<i>Qty.</i>	<i>Description</i>	<i>Ref.</i>	<i>Part Number</i>	<i>Qty.</i>	<i>Description</i>
1	104-8300	8	Nut-Flange, NI	15	3256-24	4	Washer-Flat
2	112-3987	2	Bracket-Pivot, Hopper	16	120-5502-03	1	Bracket-Bagger Weight, RH
3	112-3993	1	Screen-Bagger	17	120-5497-03	1	Bracket-Bagger Weight, LH
4	112-3994	2	Bag ASM	18	120-5491-03	1	Channel-Bagger Weight
4:1	114972-03	1	Frame-Bag	19	120-5495-03	1	Plate
4:2	114973-03	1	Hanger-Bag	20	109-9742-03	1	Weight-35 Pound
4:3	114974-03	1	Clamp	21	109-9759	1	Pin-Weight
4:4	3230-1	2	Bolt-CARR	22	3234-42	2	Screw-HHF
4:5	3296-29	2	Nut-Lock, NI	23	119-4061	4	Screw-HHF
4:6	110-6674	1	Bag	24	104-8301	4	Nut-Flange, NI
5	131-8654	1	Bagger Top ASM	25	131-3969-03	1	Frame-Pivot
6	112-3995	1	Tube-Bagger	26	131-3967-03	1	Bracket-Stabilizer
7	3230-2	4	Bolt-CARR	27	3234-29	2	Screw-HHF
9	132-6919	2	Screw-Plastite	28	32144-70	2	Screw-HWHTF
10	3256-77	2	Washer-Flat	29	119-8853	2	Rod-Support
11	116-4992	1	Latch-Rubber	30	3230-1	2	Bolt-CARR
12	131-4189	1	Rod-Hood Hold Down	31	3256-26	2	Washer-Flat
13	3290-355	3	Pin-Hair	32	131-4036	1	Decal



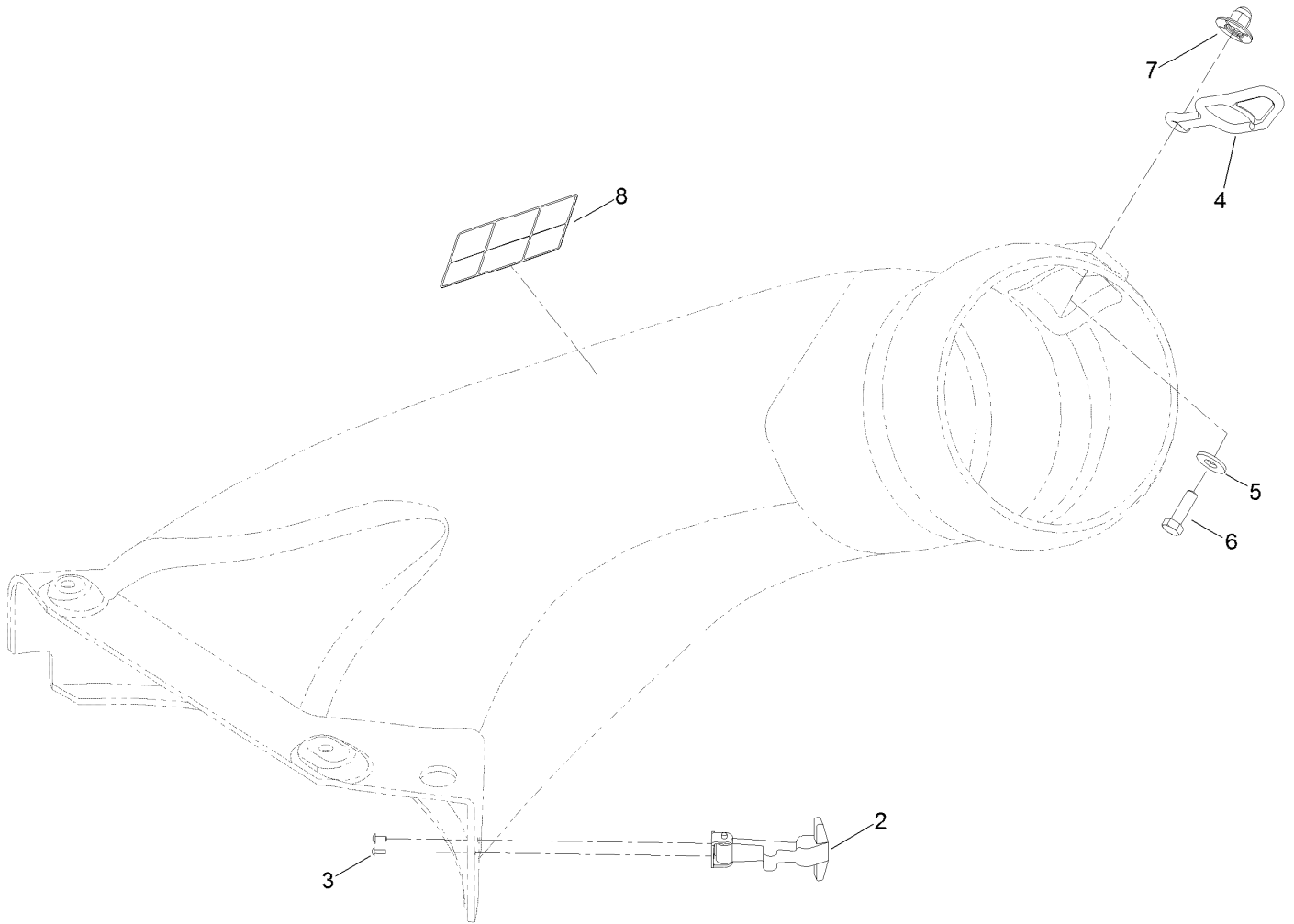
## Bagger Top Assembly No. 131-8654

<i>Ref.</i>	<i>Part Number</i>	<i>Qty.</i>	<i>Description</i>
2	116-1242-03	1	Stiffener-Bagger Top
3	112-4001	1	Gasket
4	112-4000-03	1	Ring-Retainer
5	114439	12	Rivet-Pop
6	9202704	4	Washer
7	109-6809	1	Decal-Caution, Bagger



## 42 Inch Chute Mounting Assembly

<i>Ref.</i>	<i>Part Number</i>	<i>Qty.</i>	<i>Description</i>
1	121-5650	1	Chute ASM
2	121-0702-03	1	Baffle-Cutoff
3	112-6950	2	Screw-CARR
4	104-8300	2	Nut-Flange, NI
5	3256-23	2	Washer-Flat
6	19-4050	2	Knob



## 42 Inch Chute Assembly No. 121-5650

<i>Ref.</i>	<i>Part Number</i>	<i>Qty.</i>	<i>Description</i>
2	117344	1	Handle ASM
3	3269-31	2	Rivet-Pop
4	82-5690	1	Retainer-Duct
5	3256-3	1	Washer-Flat
6	322-5	1	Screw-HH
7	114-9015	1	Nut-Impeller
8	110-6691	1	Decal-Danger



**Notes:**

**Notes:**

**Notes:**

