



# User's Manual

## COMMERCIAL/INDUSTRIAL



High Quality Product  
**Joape**

# USER'S MANUAL

## **Congratulations on your purchase of an EcoJet Cooling System!**

Your new misting fan will be a great addition to your home, business or work environment, and will keep you comfortable throughout the year. Under the proper conditions your EcoJet Cooling System fan will provide a cooling "cloud" of 800-3000 square feet.

EcoJet offers a variety of "Brazilian Cool" misting fans in Residential, Commercial and Industrial product lines in a range of colors and sizes.

Sold in over 40 countries, EcoJet is a Brazilian based company with over 15 years experience in the acclimatizing equipment industry. Their focus is on the development of new technologies and products offering high quality solutions, while respecting and preserving the environment.

For your personal safety and to maximize the performance of your EcoJet Cooling Solution Fan, please read this User's Manual carefully before using your equipment. If you have any questions, please contact SouthBee Customer Assistance by emailing [admin@southbee.com](mailto:admin@southbee.com) or at 305-713-4424 during work hours, Monday to Friday from 9-5pm

**PLEASE READ & SAVE THIS USER'S MANUAL WITH INSTRUCTIONS.**

**"Green" Footnote: All of the packaging material is recyclable, please recycle.**

**Southbee, Corp – Exclusive Distributor Joape**

14100 NW 60<sup>th</sup> Ave

Miami Lakes, FL 33014

Phone: +1 305-713-4424

Email: [admin@southbee.com](mailto:admin@southbee.com)

# IMPORTANT SAFETY INSTRUCTIONS



## WARNING

**To avoid risks, please observe the precautions mentioned below:**

- Read all the instructions and the warranty terms before using your EcoJet Cooling System.
- Children should not be allowed to operate EcoJet Cooling System.
- Do not leave children unattended within reach while the equipment is in use.
- Avoid any contact with moving parts, do not place objects on or in the fan.
- To avoid electrical shock, never connect or disconnect the plug with wet hands.
- Also to protect against electrical shock, do not immerse unit, plug or cord in water or spray with liquids.
- Never yank on the power cord to unplug the fan from the electrical outlet, to disconnect grip the plug and pull from the outlet.
- Always unplug fan when not in use, moving to a new location or for cleaning.
- Never add flammable liquids to the water reservoir.
- Do not place fan near an open flame, cooking or heating appliance.
- Evaporative systems demand the exchange of air, operating where there is air circulating.
- This fan has a polarized plug (one blade wider than the other), which is intended to fit into a polarized electrical outlet only one way.
- To prevent damage to the water pump do not operate fan without water.
- Floors around the fan can become damp and slick, use caution to prevent injury due to slipping

**WE RECOMMEND THE REPLACEMENT OF THE WHITE PLASTIC SPINNING DISC ON THE FRONT OF THE FAN EVERY TWO YEARS TO INSURE PERFORMANCE OF YOUR MISTING FAN**

## EcoJet Cooling System Benefits

- Reduces the temperature with its evaporative system
- Cleanses the air of dust particles
- Hydrates the air with atomized water
- Eliminates static electricity
- Dilutes concentration of organic solvents and ammonia
- Helps eliminating gases and odors
- Electricity savings due to its low electricity consumption
- Improves performance of air-conditioning units
- Can be used as a sprayer for water based solutions

## Technical Specifications – Comparative Table

Model	Air Flow	Noise Level	Power Rating	Voltage	Water Supply	Dimensions (WxHxD)	Weight
Cassino/Cyclone	1625cfm	66dB	230W/2.10Amp	110V*	Water Line	23" x 13" x 29" 34"x33"x7.08'	36lbs 85lbs
Copacabana/Hurricane	5885cfm	66dB	200W/1.82Amp		Reservoir	29" x 16" x 34" 34"x33"x7.5'	45lbs 94lbs
Fortaleza/Tornado	10595cfm	74dB	460W/4.19Amp		Water Line	29" x 16" x 34"	52lbs

\* Singlephase

## Important Warnings

- Make sure you install the device out of reach of children.
- The centrifugal disk spins at 3,500 RPM; do not place your hand or any other object on it while it is working.
- Do not use equipment with damaged parts; always use original ex-factory parts.
- Adjust the mist according to the conditions of your environment.
- Users will be deemed responsible if they add flavoring agents, as well as any other chemical, to the water.
- In case any gas generator is added, the device's manufacturer will be deemed responsible.
- Do not start the cooling system with no water in the tank.
- Protect from rain and weather when using outdoors.
- If the device gets rain and/or wet please wait until it is completely dry to run again.





## WARNING

If the electrical cord for power supply gets damaged, it can **ONLY** be replaced by the manufacturer or authorized agent.

For maintenance, contact customer service at: [admin@southbee.com](mailto:admin@southbee.com) or [www.ecojet.us](http://www.ecojet.us)



## IMPORTANT WARNINGS

- The centrifugal disk spins at 3,500 RPM, do not place your hand or any other object on it when the fan is operating.
- Be careful not to spill water on the electrical part of equipment.
- NEVER turn you equipment ON without water in the reservoir.
- Do not clean EcoJet Cooling System with harsh chemicals or abrasive products.
- ALWAYS remove the water from the reservoir to store your EcoJet Cooling System.
- Cleaning is essential for a proper performance of the equipment.

## Installation Steps

EcoJet by Joape misting fans are available in either Wall Mount or Reservoir models. Reservoir fan installation information is on the following pages, for Wall Mount models see below.

**There are two options:**

1. Use the included wall mount bracket
  - attach the bracket to the wall making sure the bolts used are sufficient to hold the fan.
  - insure that the bolts used are inserted into wall studs.
  - using the included nuts and washers bolt the fan to the wall bracket securely.
2. Use chains or cables to hang the fan from the ceiling. “Eyebolts” can be inserted into the built-in nuts, normally used for the lifting handles, on each side of the fan.

\* The wall mount fans come with the bottom reservoir plug packed in a plastic bag. Please screw the plug into the threaded drain hole and tighten.

## Installation Dimensions

- The maximum height from the floor should be 9'.
- The maximum tilt of the fan is 10 degrees, any more and the water splashes out of the return
- The back of the fan should be at least 1' from the wall
- If the ceiling is less than 9' high mount the fan 18" from the ceiling

## Step by step - How to assemble the units with water reservoir

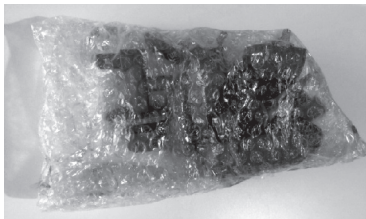
All reservoir fans are shipped in three boxes:

- 1 box with fan
- 1 box with reservoir and 1 bag with screws
- 1 base for water reservoir box

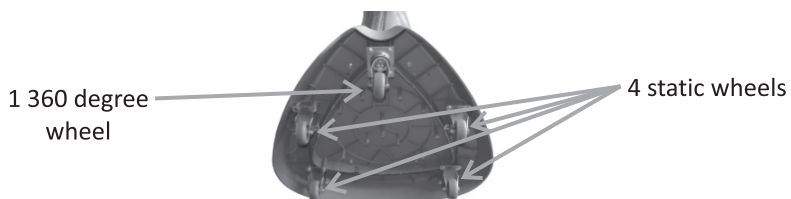
**Step 1:** Unpack the reservoir base box. Inside the box, there is a base made of plastic and with bolts attached to it. There are 20 bolts. Remove and retain all 20 bolts.

**Step 2:** Packed with the base are 5 wheels, along with the parts used to attach the reservoir to the base.

. Together there is a bag with pieces for attaching the base to the water reservoir.

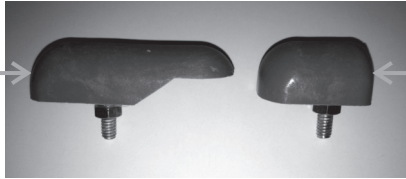


**Step 3:** Unpack all the wheels. Remove each set of 4 bolts and install the wheel using the same bolts. Tighten the bolts to the base. You have 4 static wheels and 1 wheel that moves in all directions (and has a brake when you put the lever down to keep the Reservoir from moving). The installation must be like this:



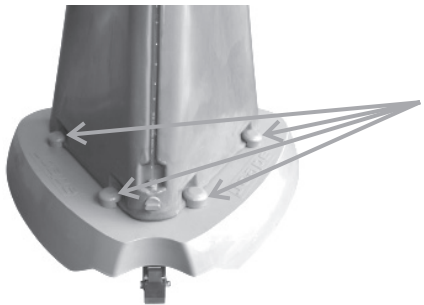
**Step 4:** Unbox the water reservoir and place it over the base. Line up the holes in the base and reservoir. You will need the pieces from the plastic bag:

4 pieces  
(attachments)  
that must be  
used on both  
sides of the tank

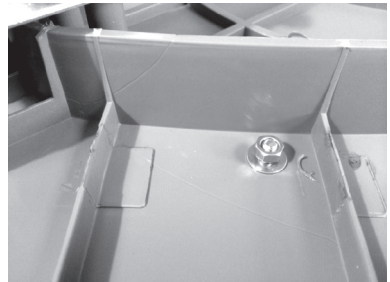


2 pieces  
(stoppers)  
that must be  
used in the  
front of the tank

**Step 5:** Remove the nut and washer from the bolt on the stopper. Insert the bolt into the hole in the base, put the washer and the screw nut on the bolt from the bottom.



4 Attachments  
must hold  
the water tank  
to the base



View from the bottom, washer and nut holding the bolt of the attachment and stopper

**Step 6:** Carefully unpack the fan and remove all bubble packing and materials like packing foam and straighten the water pump hose. Place the water pump with its hose inside the water tank. Carefully lift the fan and place it on the reservoir with the "lips" on the outside of the reservoir. When setting the fan on the reservoir make sure the shorter hose, the water return hose, is also inside the reservoir. Center the fan on the reservoir and insert the 4 pan head screws through the predrilled holes in the fan "lips" into the reservoir:



Use these 4 screws for installation of the fan over the water tank. 2 are for the front and 2 are for the back



**Step 7:** Removing one of the round plastic flaps on the side of the reservoir fill it with water. Control the level of water using the water level display in the back of the tank.

**Step 8:** Plug the power cord to electricity, turn the fan on, and adjust the mist flow using the knob on the back or side.

**Remarks:**

- Always leave a minimum of 12 inches of water inside the water tank to help with its stability
- Always move the water tank carefully, pushing the tank in a way that prevents accidents. Ideally the tank should be moved when the reservoir fan is empty, as the water adds considerable weight

**NOTE:** Make sure the drain plug on the back bottom of the reservoir is tight



EcoJet Hurricane

and

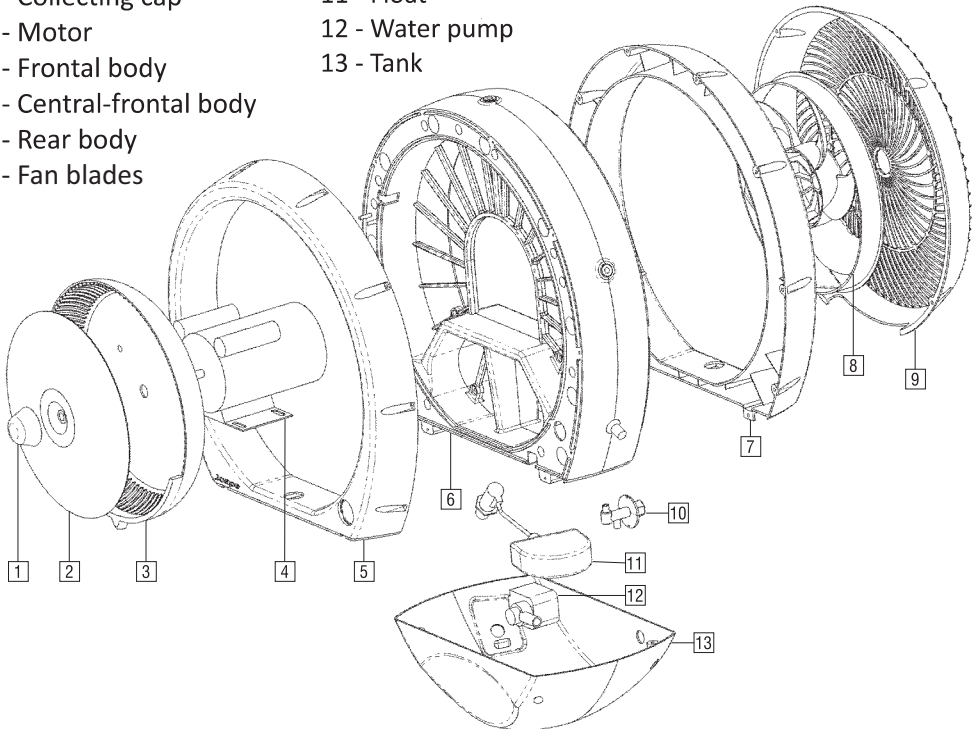
EcoJet Cyclone

## Operation & Cleaning

- The EcoJet System must be installed per factory instructions.
- The fan reservoir must be filled (reservoir fan) or the water line turned on (wall mount fan) prior to operation.
- The amount of mist can be adjusted by turning the grey knob on the back or side of the fan - clockwise to reduce mist, counter clockwise to increase mist.
- Unlike regular air-conditioning equipment, the EcoJet fan should not be used in closed rooms or areas. Excessive humidity can result.
- In air-conditioned environments, use the EcoJet system to increase the relative humidity of the air.
- In closed environments you must pay attention to humidity levels, we suggest you install a humidostat.
- To maximize cooling always keep the fan "upwind" so the wind helps blow the mist into the area to be cooled.
- Turn off the water supply when the fan is not in use (wall mount).
- EcoJet System must be clean in order to achieve its best performance.
- If unused for 10 days we suggest the tank (wall mount) or reservoir be emptied and cleaned with a mild solution of sodium hypochlorite (bleach). After cleaning, remove the drain plug on the bottom, drain all the water out, then reinsert the plug. Run the fan a few minutes with clean water to thoroughly rinse before using the fan again for cooling. **IMPORTANT:** make sure all the bleach solution has been run through the fan reservoir before using it again for cooling.
- Use liquid detergent and a brush to clean the bowl and disc of the fan.
- Use only water-based fragrances should be added to reservoirs or tanks.

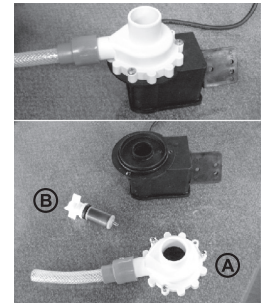
# Components

- 1 - Finishing cone
- 2 - Centrifugal disk
- 3 - Collecting cap
- 4 - Motor
- 5 - Frontal body
- 6 - Central-frontal body
- 7 - Rear body
- 8 - Fan blades
- 9 - Protective grid
- 10 - Mist valve
- 11 - Float
- 12 - Water pump
- 13 - Tank

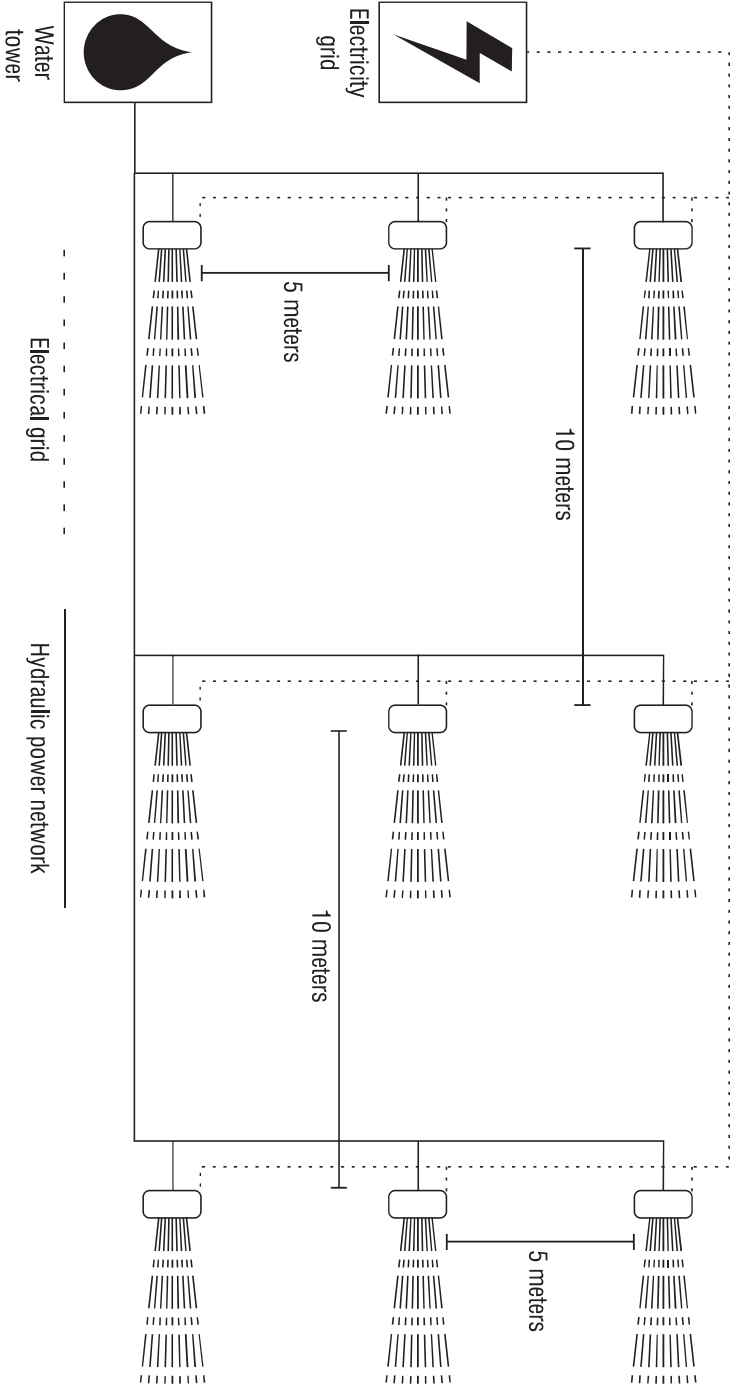


# Water Pump Cleaning

- 1- Remove the pump from the reservoir.
- 2- Remove the water-entry frontal cover, loosening the screws (item "A")
- 3- Remove the propeller with the rotor. (Item "B")
- 4- Clean all the pump parts with water and liquid neutral soap
- 5- Rinse all the parts and reassemble the pump.



# Electric-Hydraulic Diagram



## Problems and Solutions

Problem	Solution
The cooling system does not work	<ul style="list-style-type: none"> <li>• For reservoir fans, check if the water pump is connected to the water line. For the wall mount fans, check the bottom of the fan and verify the pump tubing connection to the mist valve.</li> <li>• Verify if there's no air inside the water tubing that is preventing water to flow. Turn the equipment on and off repeatedly and/or pump the air out to allow water flowing.</li> </ul>
It will not produce mist	<ul style="list-style-type: none"> <li>• Make sure the device is connected to the water line.</li> <li>• Make sure the mist valve is open.</li> <li>• Clean the water pump.</li> <li>• The inner valve may be clogged.</li> </ul>
Water tank overflow Dripping next to the mist	<ul style="list-style-type: none"> <li>• Check the float regulation.</li> <li>• Network overpressure.</li> <li>• The mist regulation valve may be too open.</li> <li>• There may be dirt in the winged reservoir.</li> </ul>
GFI electrical outlet is “tripping” with the use of fan	<ul style="list-style-type: none"> <li>• Make sure the outlet and its power grid has enough power capacity to feed the fan.</li> </ul>
On/Off Switch is not working	<ul style="list-style-type: none"> <li>• Contact EcoJet customer service for a new switch</li> </ul>



# Problems and Solutions

Problem	Solution
Motor(s) doesn't seem to work	<ul style="list-style-type: none"><li>• Revise power switch, electrical connections and loose wires and carefully make sure everything is tightened</li></ul>
White plastic spinning disc is damaged	<ul style="list-style-type: none"><li>• Contact EcoJet customer service for a new disc</li></ul> <p>WE RECOMMEND THE REPLACEMENT OF THE WHITE PLASTIC SPINNING DISC IN FRONT OF THE EQUIPMENT EVERY 2 YEARS FROM DATE OF PURCHASE TO MAINTAIN THE IDEAL PERFORMANCE OF YOUR MISTING FAN.</p>



# WARRANTY



## Defective Return Policy

All EcoJet by Joape products come with a limited guarantee against defects in materials and workmanship for a period of one (1) year from date of purchase.

EcoJet fans and pumps need to be routinely cleaned per user manual instructions to work properly and not void the warranty.

---

### Warehouse returns

#### 1. Return Policy - Goods Shipped From EcoJet Warehouse

Customer will contact EcoJet and request a defective return authorization.

Upon presenting purchasing documentation (invoice copy, credit card receipt, etc.)

EcoJet by Joape will immediately approve and authorize return, assigning an RTA number.

#### 2. EcoJet by Joape will, at their discretion:

- refund the purchase price and advise customer to either destroy in field or return at EcoJet by Joape's expense or
- replace the defective product

#### 3. Should EcoJet by Joape request that the product be returned they will provide prepaid shipping information to customer.

#### 4. In the case of replacement product EcoJet by Joape will prepay the new product's shipping costs.

---

### Distributor Sales returns

#### 1. Return Policy - Goods Shipped from distributor Warehouse.

Customer will contact distributor directly.

Upon confirming warranty claim distributor will contact EcoJet for a RTA number.

---

### Retail Sales Returns

#### 1. All returns must be handled by the retailer your fan was purchased from. Call them directly with your purchase information.

---

### Parts

#### 1. Customers needing replacement parts for fans over 1 year old from date of purchase should contact EcoJet directly at the contact info provided below.

Contact number for all EcoJet by Joape return request is 305-713-4424 or via email at [admin@southbee.com](mailto:admin@southbee.com)

In all cases EcoJet by Joape will strive to settle all warranty claims within 5 working days of initial request.

If used indoors EcoJet fans require an exchange of air sufficient to maintain proper humidity levels.

