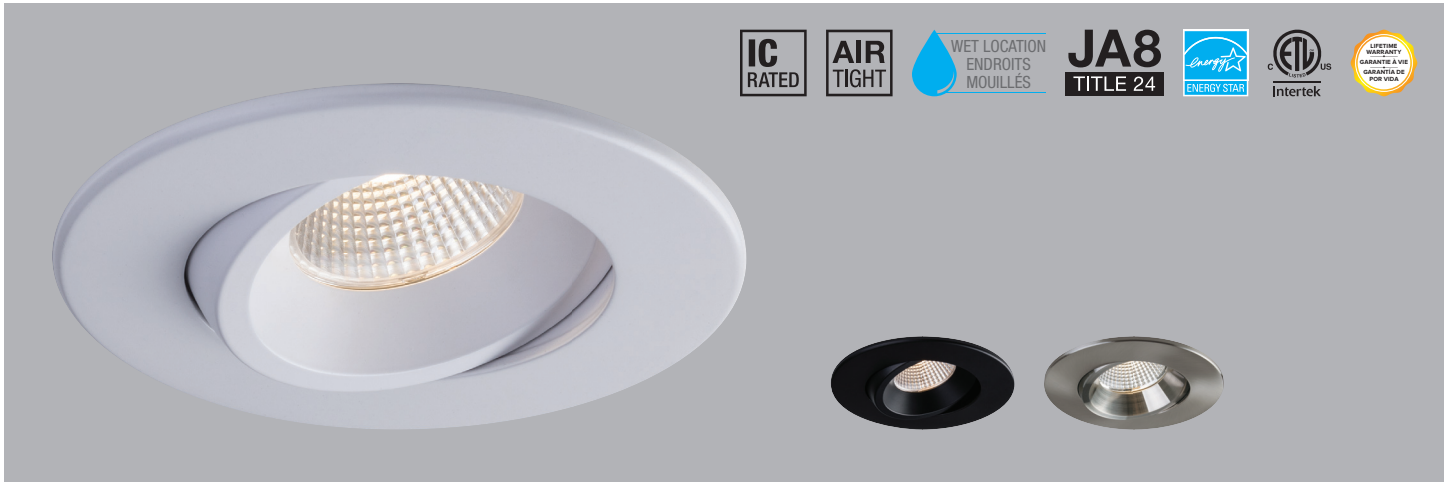


SPEX LIGHTING CO.

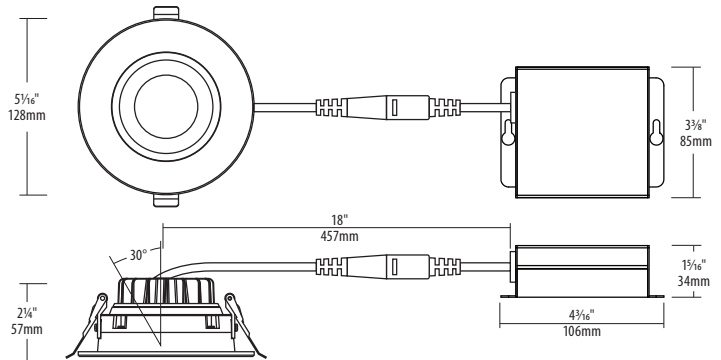
4" GIMBAL Recessed Light, Color Selectable



Features

- Regressed optics for low glare
- 5-Position CCT selectable switch
- 360-degree rotation and 30-degree tilt
- Suitable for wet locations
- Ideal for residential and light commercial spaces

Technical Drawings



TECHNICAL DATA	
Application	Ceiling Recess Mount
Approved Location	Wet / Insulated Ceiling / Indoor / Outdoor
Beam Angle	38°
CCT	2700 K / 3000 K / 3500 K / 4000 K / 5000 K (via CCT switch)
Certification	cETLus
Class II	Yes
Color	Black / Brushed Nickel / White
CRI	90
Dimming	Yes
Dimming Technology	Forward/Reverse phase / TRIAC / ELV
Hole Cut	Ø 4 1/4" (108mm)
Input	100-135V AC, 60 Hz
LM79	Yes
LM80	Yes
Lumens	Up to 850
Lumens per Watt	Up to 71
Power Factor	>0.9
Projected Life	70% @ 50,000 hours
Title 24	JA8 (up to 4000 K)
Warranty	Lifetime
Wattage	12W

Notes: Due to our continued efforts to improve our products, product specifications are subject to change without notice.

A division of
Une division de

LITELINE CORPORATION
P 416-996-1856 | 1-866-730-7704
F 905-709-5255 | 1-888-738-9736

SPEXLIGHTING.COM

Copyright © 2021, Liteline Corporation. All rights reserved.
REV 1.12.21

Specifications

Body

Durable airtight aluminum body with adjustable regressed gimbal. Includes anodized blue heat sink to provide maximum airflow for the LED light source.

LED Characteristics

This general application light fixture features a 12 watt LED module that maintains intensity producing up to 850 lumens; with a typical CRI of 90. Available with 5 step CCT switch (2700 K, 3000 K, 3500 K, 4000 K, 5000 K).

Dimming

100%-10% dimming capability. This fixture is compatible with industry standard TRIAC/ELV dimmers (contact factory for listing of compatible dimmers).

Beam Spread

The fixture lens provides 38° beam spread.

Mounting

Includes two spring loaded clips to attach to any ceiling material.

LED Driver

Extruded aluminum hardwire box with 300mA dimmable class II electronic LED driver with 100-135V AC input. Includes an 18" plenum rated FT6 wire with DC 2.1 connector from driver to fixture.

Quick Connect Push-in Terminals

Three "Quick Connect" push-in terminals for fast and easy wiring.

Minimum Starting Temperature

-40°C (-40°F)

Environment

- Suitable for wet locations.
- Suitable for insulated ceiling applications.
- Suitable for indoor/outdoor applications.

Models

SL4-12RG-90WH

4" GIMBAL recessed light, 12W, white.

SL4-12RG-90WH-4

4" GIMBAL recessed light, 12W, white, 4-pack.

SL4-12RG-90BN

4" GIMBAL recessed light, 12W, brushed nickel.

SL4-12RG-90BN-4

4" GIMBAL recessed light, 12W, brushed nickel, 4-pack.

SL4-12RG-90BK

4" GIMBAL recessed light, 12W, black.

Accessories



SL4-12RG-RR-BK

Black reducer ring for 4" GIMBAL.



SL4-12RG-RR-BN

Brushed Nickel reducer ring for 4" GIMBAL.



SL4-12RG-RR-WH

White reducer ring for 4" GIMBAL.



SL-4020U

4" New construction mounting plate.



SL-VBE-3

Vapour barrier.



SLWZ-DIM-01

Wi-Fi Smart Control with Dimmer, 2.4GHz.



SLWZ-3WAY-01

Wi-Fi Smart 3-Way Switch, 2.4GHz.