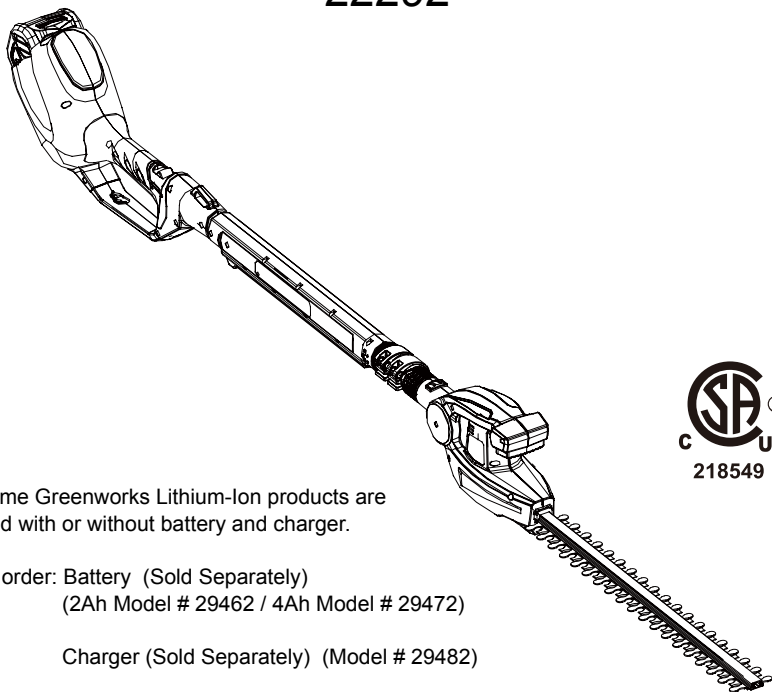



greenworks™

40V LITHIUM-ION POLE HEDGE TRIMMER

22292



Some Greenworks Lithium-Ion products are sold with or without battery and charger.

To order: Battery (Sold Separately)
(2Ah Model # 29462 / 4Ah Model # 29472)

Charger (Sold Separately) (Model # 29482)

Owner's Manual

TOLL-FREE HELPLINE: 1-888-90WORKS (888.909.6757)

www.GreenWorksTools.com

⚠ Read all safety rules and instructions carefully before operating this tool.

CONTENTS

Contents	2
Specifications	2
General safety rules	3-8
Symbols	9-10
Know your hedge trimmer	11
Assembly instruction	12-13
Operation	14-19
Maintenance	20
Environmentally safe battery disposal	21
Troubleshooting	22
Warranty	23
Exploded View	24
Parts List	25

SPECIFICATIONS

40V LITHIUM-ION POLE HEDGER TRIMMER

Type	Cordless, battery-powered
Battery	40V Lithium-Ion
Charge time	2.0ah 100 Minutes/ 4.0ah 180 Minutes
Blade length	20" (51 cm)
Cutting capacity	5/8" (16 mm)
Reciprocating speed	3200 SPM
Unit weight	9.5 lbs. (4.31Kg)



GENERAL SAFETY RULES

WARNING

READ AND UNDERSTAND ALL INSTRUCTIONS. Failure to follow all instructions listed below may result in electric shock, fire and/or serious personal injury.

WORK AREA

- Keep your work area clean and well lit.
- Do not use in wet conditions.
- Do not operate power tools in explosive atmospheres, such as in the presence of flammable liquids, gases, or dust. Power tools create sparks which may ignite the dust or fumes.
- Keep bystanders, children, and visitors away while operating a power tool. Distractions can cause you to lose control.

ELECTRICAL SAFETY

- A battery-operated tool with integral batteries or a separate battery pack must be recharged only with the specified charger for the battery. A charger that may be suitable for one type of battery may create a risk of fire when used with another battery.
- Use a battery-operated tool only with specified battery pack. Use of any other batteries may create a risk of fire.
- Use only Greenworks batteries.
- Don't expose power tools to rain or wet conditions. Water entering a power tool will increase the risk of electric shock.

PERSONAL SAFETY

- Stay alert, watch what you are doing, and use common sense when operating a power tool. Do not use tool while tired or under the influence of drugs, alcohol, or medication. A moment of inattention while operating power tools may result in serious personal injury.
- Dress properly. Do not wear loose clothing or jewellery. Contain long hair. Keep your hair, clothing, and gloves away from moving parts. Loose clothes, jewellery, or long hair can be caught in moving parts.
- Avoid accidental start-ups. Make sure the switch is in the locked or off position before inserting battery pack. Carrying tools with your finger on the switch or inserting the battery pack into a tool with the switch on invites accidents.
- Remove adjusting keys or wrenches before turning the tool on. A wrench or key that is left attached to a rotating part of the tool may result in personal injury.
- Do not overreach. Keep proper footing and balance at all times. Proper footing and balance enable better control of the tool in unexpected situations.
- Use safety equipment. Always wear eye protection. Safety equipment such as dust mask, non-skid safety shoes, hard hat, or hearing protection used for appropriate conditions will reduce personal injuries.
- If devices are provided for the connection of dust extraction and collection facilities, ensure these are connected and properly used. Use of these devices can reduce dust-related hazards.

GENERAL SAFETY RULES



ALWAYS WEAR EYE PROTECTION. A Hedge Trimmer can throw foreign objects into your eyes which could cause permanent eye damage. ALWAYS wear safety goggles (or glasses that comply with ANSI Z87.1). Ordinary eyeglasses have only impact-resistant lenses...they are NOT safety goggles.

TOOL USE AND CARE

- Do not use tool if switch does not turn it on or off. A tool that can not be controlled with the switch is dangerous and must be repaired.
- Maintain power tools. Check for misalignment or binding of moving parts, breakage of parts and any other condition that may affect the power tools operation. If damaged, have the power tool repaired before use. Many accidents are caused by poorly maintained power tools.
- Disconnect battery pack from tool before making any adjustments, changing accessories, or storing the tool. Such preventive safety measures reduce the risk of starting the tool accidentally.
- Store idle tools out of reach of children and other untrained persons. Tools are dangerous in the hands of untrained users.
- When battery pack is not in use, keep it away from other metal objects like: paper clips, coins, keys, nails, screws, or other small metal objects that can make a connection from one terminal to another. Shorting the battery terminals together may cause sparks, burns, or a fire.
- Check for misalignment or binding of moving parts, breakage of parts, and any other condition that may affect the tool's operation. If damaged, have the tool serviced before using. Many accidents are caused by poorly maintained tools.
- Use only accessories that are recommended by the manufacturer for your tool. Accessories that may be suitable for one tool may create a risk of injury when used on another tool.
- Ensure the switch is in the off position before inserting battery pack. Inserting the battery pack into power tools that have the switch on invites accidents.
- Under abusive conditions, liquid may be ejected from the battery, avoid contact. If contact accidentally occurs, flush with water. If liquid contacts eyes, additionally seek medical help. Liquid ejected from the battery may cause irritation or burns.
- Hold the power tool by insulated gripping surfaces only, because the cutter blade may contact hidden wiring or its own cord. Cutter blades contacting a ²live² wire may make exposed metal parts of the power tool "live" and could give the operator an electric shock.

SERVICE

- Tool service must be performed only by qualified repair personnel. Service or maintenance performed by unqualified personnel may result in a risk of injury.
- When servicing a tool, use only identical replacement parts. Follow instructions in the Maintenance section of this manual. Use of unauthorized parts or failure to follow Maintenance Instructions may create a risk of shock or injury.

GENERAL SAFETY RULES

FOR ALL GARDEN TOOLS

- Avoid dangerous environments. Don't use tool in damp or wet locations.
- Don't use in rain.
- Keep bystanders and children at least 50 feet away while operating.
- Dress properly. Do not wear loose clothing or jewellery. They can be caught in moving parts. Use of rubber gloves and substantial footwear is recommended when working outdoors.
- Avoid unintentional start-ups.
- Don't grasp the exposed cutting blade when picking up or holding the tool.
- Don't force the tool. It will do the job better and with less likelihood of a risk of injury at the rate for which it was designed.
- Don't overreach. Keep proper footing and balance at all times.
- When not in use, tool should be stored indoors in a dry, high, or locked-up place – out of reach of children.
- Maintain tool with care. Keep cutting blades clean for best performance and to reduce the risk of injury.
- Keep guards in place and in working order.
- Keep hands and feet away from cutting blades.
- Always use eye protection that complies with ANSI Z87.1.

FOR HEDGE TRIMMERS

- Use both hands when operating the hedge trimmer. Using one hand could cause loss of control and result in serious personal injury.
- Keep all parts of the body away from the cutter blade. Do not remove cut material or hold material to be cut when blades are moving. Make sure the switch is off when clearing jammed material. A moment of inattention while operating the hedge trimmer may result in serious personal injury.
- Carry the hedge trimmer by the handle with the cutter blade stopped. When transporting or storing the hedge trimmer always fit the cutting device cover. Proper handling of the hedge trimmer will reduce possible personal injury from the cutter blades.



DANGER

Keep hands away from blade. Contact with blade will result in serious personal injury.



WARNING

Only use with handle and guard properly assembled to hedge trimmer. The use of the hedge trimmer without the proper guard or handle provided may result in serious personal injury.

GENERAL SAFETY RULES

DANGER

If the hedge trimmer blade jams or gets caught on an electrical cord or wires, **DO NOT TOUCH THE BLADE FOR ANY REASON! IT CAN BE ELECTRICALLY LIVE AND CAUSE SERIOUS OR FATAL INJURY!** Release or drop the trimmer in the quickest, safest way. If possible, disconnect the dbattery from the tool. If that is not possible, call an electrician, electrical contractor, or the power company for assistance. Failure to heed this danger warning will cause serious personal injury and possible death.

WARNING

Avoid serious injury: The blades coast after turning off. **ALWAYS** keep both hands on the hedge trimmer handles to prevent your hand from touching the blade.

- Make sure the hedge trimmer switch is off and remove battery when clearing jammed material from blades. To avoid possible accidental start-ups, remove or disconnect the battery before servicing, cleaning, or removing material from the hedge trimmer.
 - **DO NOT** operate the hedge trimmer when you are tired or your visibility is limited. Do not use the trimmer at night or in reduced light.
 - Keep the handles dry, clean, and free from oil and grease.
-

DANGER

To avoid serious injury, risk of fire, explosion and danger of electric shock or electrocution:

- **DO NOT** probe the charger with conductive materials. The charging terminals hold 120 V.
 - If the battery pack case is cracked or damaged, **DO NOT** insert into the charger or tool.. Replace the battery pack.
 - **DO NOT** charge these battery packs with any other type of charger.
 - **DO NOT** allow liquid inside the charger.
 - **DO NOT** try to use the charger for any other purpose than what is presented in this manual.
-

GENERAL SAFETY RULES

W A R N I N G

If the battery fluid gets in your eyes, flush immediately with clean water for at least 15 minutes. Get immediate medical attention. Do not charge the battery pack in rain or in wet conditions. Do not immerse the tool, battery pack, or charger in water or other liquid.

- Do not allow the battery pack or charger to overheat. If they are warm, allow them to cool down. Recharge only at room temperature.
 - Do not cover the ventilation slots on the top of the charger. Do not set the charger on a soft surface. Keep the ventilation slots of the charger clear.
 - Do not allow small metal items or material such as steel wool, aluminum foil, or other foreign particles into the charger cavity.
 - Unplug the charger before cleaning and when there is no battery pack in the cavity.
 - Do not place the battery charger or the battery pack in the sun or in a warm environment. Keep at normal room temperature.
 - Do not try to connect two chargers together.
 - The battery pack cells may develop a small leak under extreme usage or temperature conditions. If the outer seal is broken and the leakage gets on your skin:
 - Use soap and water to wash immediately.
 - Neutralize with lemon juice, vinegar, or other mild acid.
-

W A R N I N G (PROPOSITION 65)

Some dust created by power sanding, sawing, grinding, drilling, and other construction activities contains chemicals known to cause cancer, birth defects or other reproductive harm. Some examples of these chemicals are:

- Lead from lead-based paints
- Crystalline silica from bricks and cement and other masonry products, and
- Arsenic and chromium from chemically treated lumber.

Your risk of exposure to these chemicals varies depending on how often you do this type of work. To reduce your exposure to these chemicals, work in a well-ventilated area, and work with approved safety equipment, such as dust masks that are specially designed to filter out microscopic particles.

GENERAL SAFETY RULES


⚠ WARNING

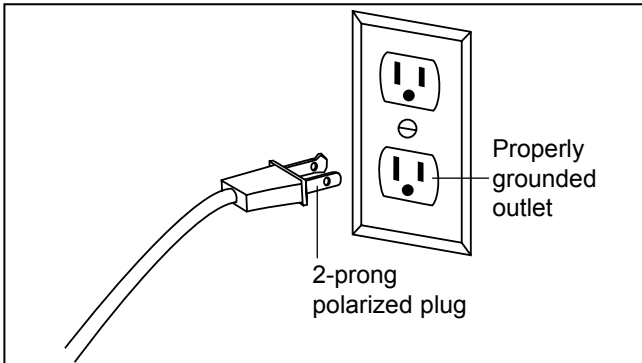
READ AND UNDERSTAND ALL INSTRUCTIONS. Failure to follow safety rules listed below may result in electric shock, fire, and/or personal injury:

- Do not place the charger where the power cord might be stepped on, tripped on, or subjected to damage.
 - A battery-operated tool with integral batteries or a separate battery pack must be recharged only with the specified charger for the battery. A charger that may be suitable for one type of battery may create a risk of fire when used with another battery.
 - Use a battery-operated tool only with the specifically designated battery pack. Use of any other batteries may create a risk of fire.
-

GROUNDING











In the event of a malfunction or breakdown, grounding provides the path of least resistance for electric current, and reduces the risk of electric shock.

This battery charger is double insulated  and has a two-prong polarized plug (one blade is wider than the other). This plug will fit into a polarized outlet only one way. If the plug does not fit fully in the outlet, reverse the plug. If it still does not fit, contact a qualified electrician to install the proper outlet. **DO NOT** change the plug in any way. **IN ALL** cases make sure the outlet is properly grounded. If you are not sure, have a certified electrician check the power outlet.






SYMBOLS

Some of the following symbols may be used on this product. Please study them and learn their meaning. Proper interpretation of these symbols will allow you to operate the product better and safer.

SYMBOL	NAME	DESIGNATION/EXPLANATION
V	Volts	Voltage
A	Amperes	Current
Hz	Hertz	Frequency (cycles per second)
W	Watts	Power
/min	Per Minute	Revolutions, strokes, surface speed, orbits etc., per minute
~	Alternating Current	Type of current
≡	Direct Current	Type or a characteristic of current
	Safety Alert Symbol	Indicates a potential personal injury hazard.
	Read The Operator's Manual	To reduce the risk of injury user must read and understand operator's manual before using this product.
	Eye and Head Protection	Wear eye and headprotection when operating this equipment.
	Wet Conditions Alert	Do not expose to rain or use in damp locations.
	No Hands Symbol	Failure to keep your hands away from the blade will result in serious personal injury.
	Keep Tool Away from Electrical Lines/Keep Bystanders Away	DANGER! Risk of electrocution! Keep tool 50 feet electrical lines. Keep all bystanders at least 50 ft. away.
	Gloves	Wear non-slip, heavy-duty protective gloves when handling the blades.
	Operate With Two Hands	Hold and operate the hedge trimmer properly with both hands.
	Moving Parts	Keep hands away from moving parts.
	Ricochet	Thrown objects can ricochet and result in personal injury or property damage.

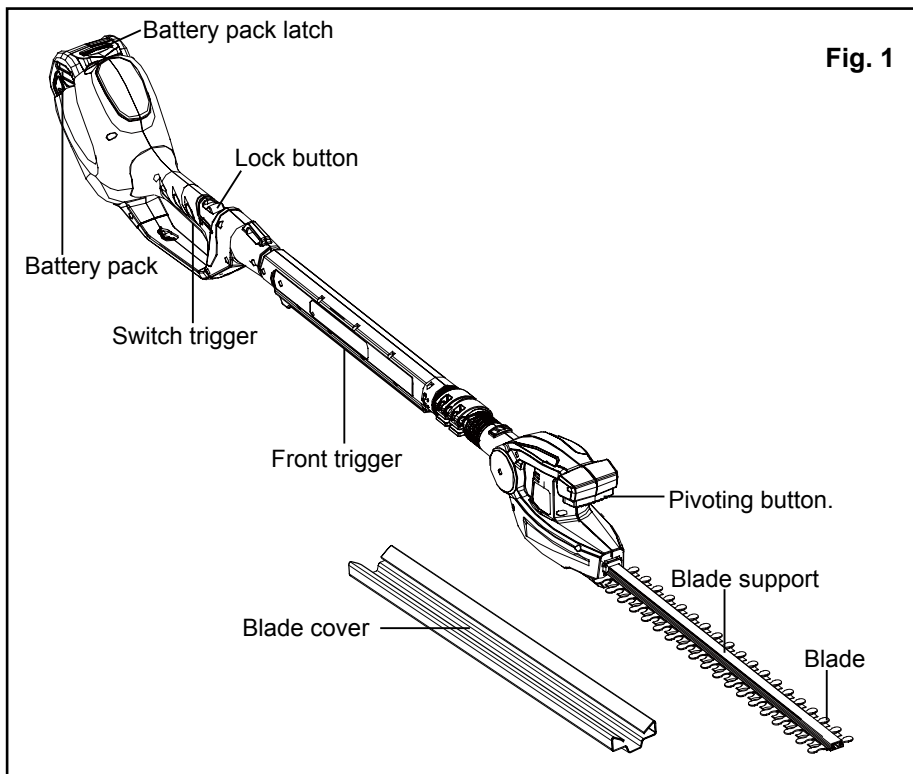
SYMBOLS

The following signal words and meanings are intended to explain the levels of risk associated with this product.

SYMBOL	SIGNAL	MEANING
	DANGER	Indicates an imminently hazardous situation, which, if not avoided, will result in death or serious injury.
	WARNING	Indicates a potentially hazardous situation, which, if not avoided, could result in death or serious injury.
	CAUTION	Indicates a potentially hazardous situation, which, if not avoided, may result in minor or moderate injury.
	CAUTION	(Without Safety Alert Symbol) Indicates a situation that may result in property damage.

SAVE THESE INSTRUCTIONS

KNOW YOUR HEDGE TRIMMER



KNOW YOUR POLE HEDGE TRIMMER (See Figure 1.)

The safe use of this product requires an understanding of the information on the product and in this operator's manual as well as a knowledge of the project you are attempting. Before use of this product, familiarize yourself with all operating features and safety rules.

BLADE COVER

The blade cover keeps the operator from coming in contact with the sharp blades when the tool is not in use. It also helps keep the blades from being nicked or damaged when the tool is in storage.

LOCK-OUT BUTTON

The lock-out button prevents unintentional starting of the hedge trimmer.

SEVEN-POSITION PIVOTING HEAD

The hedge trimmer head can be adjusted with the pivoting button.

ASSEMBLY INSTRUCTION

UNPACKING

This product requires assembly.

- Carefully remove the product and any accessories from the box. Make sure that all items listed in the packing list are included.

WARNING

Do not use this product if any parts on the Packing List are already assembled to your product when you unpack it. Parts on this list are not assembled to the product by the manufacturer and require customer installation. Use of a product that may have been improperly assembled could result in serious personal injury.

- Inspect the product carefully to make sure no breakage or damage occurred during shipping.
- Do not discard the packing material until you have carefully inspected and satisfactorily operated the product.
- If any parts are damaged or missing, please call 1-888-909-6757 for assistance.

PACKING LIST

Power Head
Hedge Trimmer Attachment
Blade Cover
Operator's Manual

WARNING

If any parts are damaged or missing do not operate this product until the parts are replaced. Use of this product with damaged or missing parts could result in serious personal injury.

WARNING

Do not attempt to modify this product or create accessories not recommended for use with this product. Any such alteration or modification is misuse and could result in a hazardous condition leading to possible serious personal injury.

WARNING

To prevent accidental starting that could cause serious personal injury, always remove the battery pack from the product when assembling parts.

ASSEMBLY INSTRUCTION

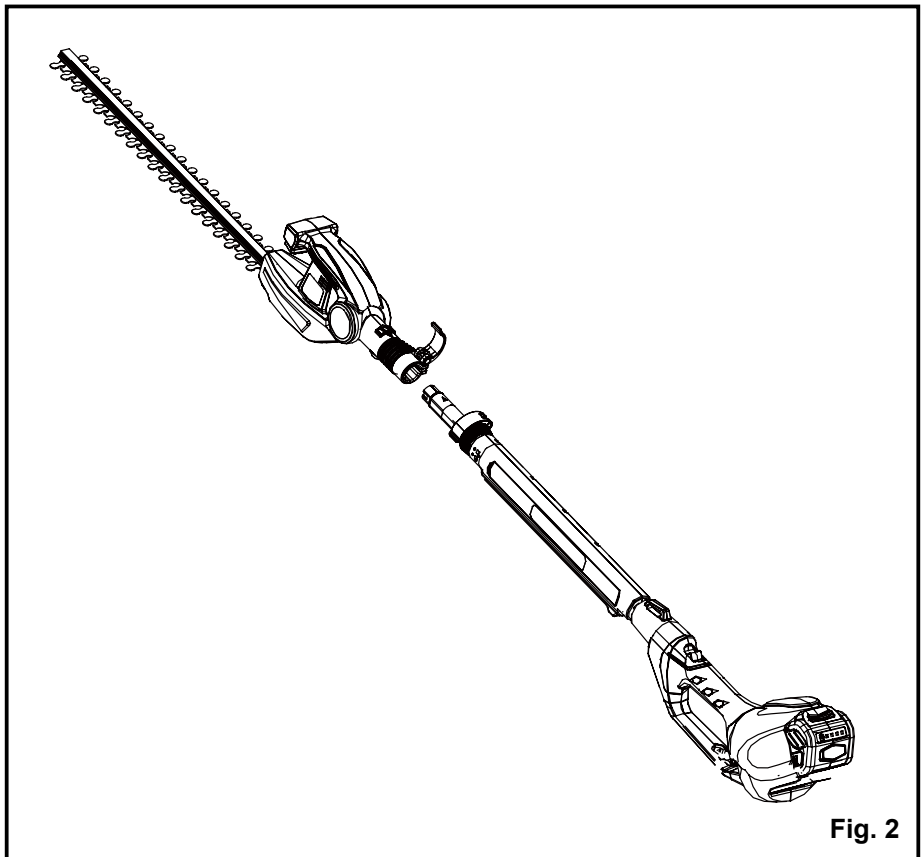
ASSEMBLING THE TOOL (See Figure 2.):

- Align the arrow on the end of main handle with the arrow on the trimmer head.
- Push the trimmer head onto the handle till the red line.
- Fasten the trimmer head cam lock.

NOTE: Once assembled correctly, the upper and lower tubes should not separate when pulled. Repeat above steps if tubes can be separated.

⚠ WARNING

Failure to secure the upper tube to the lower tube as instructed above could result in serious injury or death.



OPERATION

W A R N I N G

Do not allow familiarity with this product to make you careless. Remember that a careless fraction of a second is sufficient to inflict serious injury.

W A R N I N G

Always wear eye protection with side shields marked to comply with ANSI Z87.1. Wear head protection when operating this equipment above shoulder level. Failure to do so could result in objects being thrown into your eyes and other possible serious injuries.

W A R N I N G

Do not use any attachments or accessories not recommended by the manufacturer of this product. The use of attachments or accessories not recommended can result in serious personal injury.

APPLICATIONS

You may use this product for the purpose listed below:

- Trimming and shaping hedges and shrubbery

Before each use, inspect the entire product for damaged, missing, or loose parts such as screws, nuts, bolts, caps, etc. Tighten securely all fasteners and caps and do not operate this product until all missing or damaged parts are replaced. Please call 1-888-909-6757 or contact an authorized service center for assistance.

This product will accept Greenworks 40v lithium-ion battery packs.

For complete charging instructions, refer to the Operator's Manuals for your Greenworks battery pack and charger models.

TO INSTALL/REMOVE BATTERY PACK (See Figure 3.)

W A R N I N G

Always remove battery pack from your tool when you are assembling parts, making adjustments, cleaning, or when not in use. Removing battery pack will prevent accidental starting that could cause serious personal injury.

To install:

- Place the battery pack in the power head. Align the raised rib on the battery pack with groove in the power head's battery port.
 - Make sure the latches on each side of the battery pack snap in place and that the battery pack is secured in the power head before beginning operation.
-

C A U T I O N :

When placing battery pack in the tool, be sure raised rib on battery pack aligns with the bottom of the tool and latches into place properly. Improper installation of the battery pack can cause damage to internal components.

OPERATION

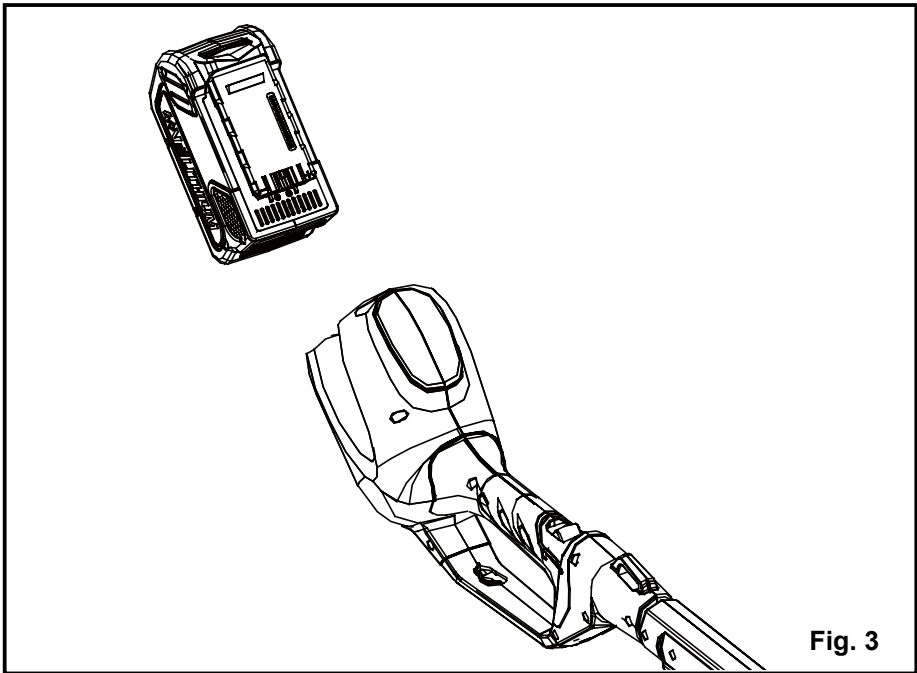


Fig. 3

To remove:

- Locate the latch on the back side of the battery pack and depress to release the battery pack from the power head.

⚠ WARNING

Battery tools are always in operating condition. Therefore, hands should be free of the switch trigger and lock-out button when not in use. Remove battery pack when transporting or carrying hedge trimmer to avoid accidental starting, which could result in serious injury.

OPERATION

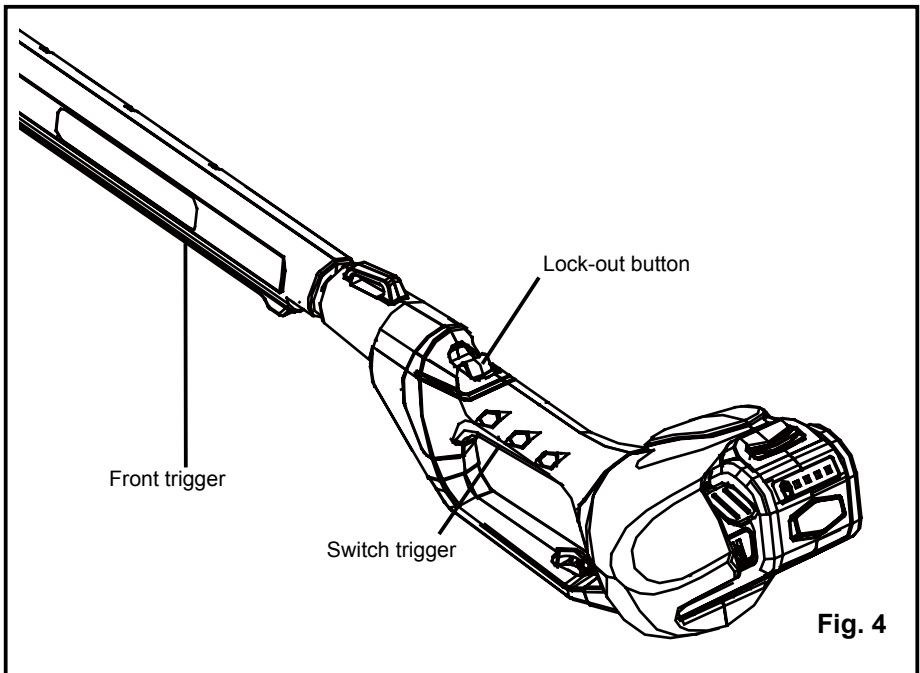
STARTING AND STOPPING THE HEDGE TRIMMER (See Figure 4.)

To start:

- Remove the blade cover.
- Push the front trigger.
- Press and hold the lock-out button.
- Depress the switch trigger.
- Release the lock-out button. Continue to depress the switch trigger for extended operation.

To stop:

- Release the switch trigger to stop the hedge trimmer.
- Upon release of the switch trigger, the lock-out button will automatically reset to the locked position.



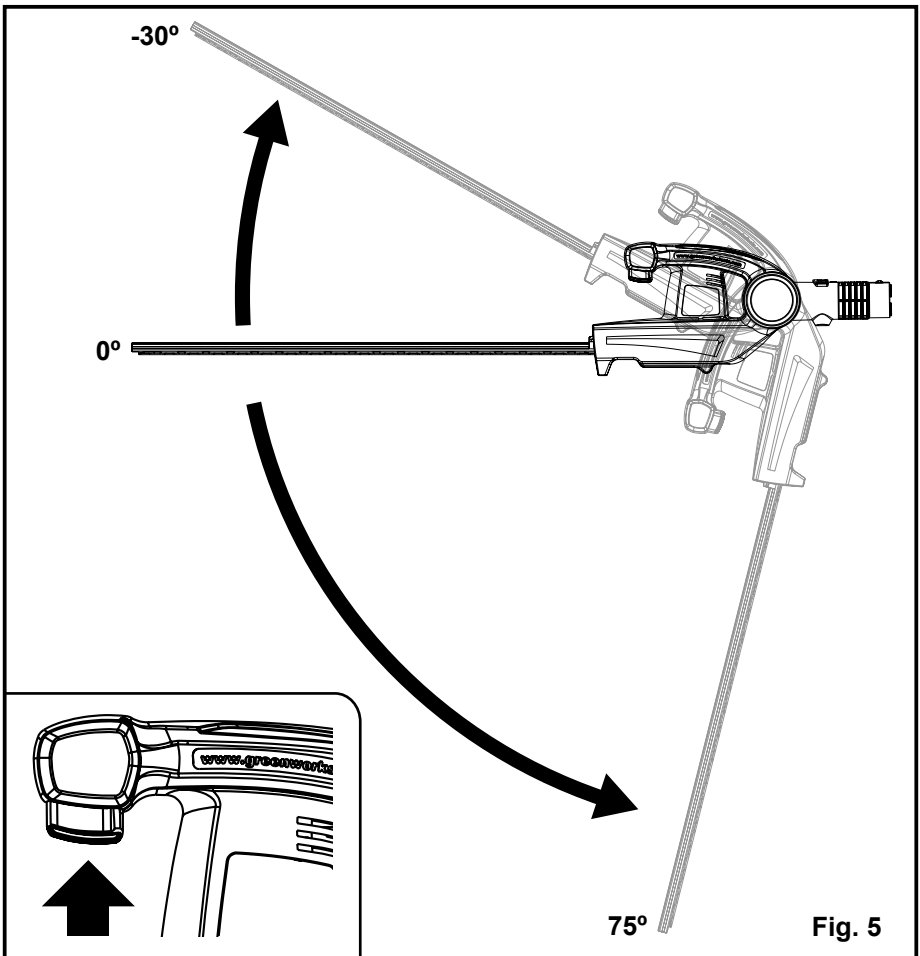
OPERATION

ADJUSTING PIVOTING HEAD (See Figure 5.)

- Release the switch trigger and allow blades to come to a complete stop.
- Remove the battery pack from the hedge trimmer.
- Place the hedge trimmer on a sturdy flat surface.
- Push pivot button and adjust trimmer head until it snaps securely into place at one of the seven positions.

⚠ WARNING

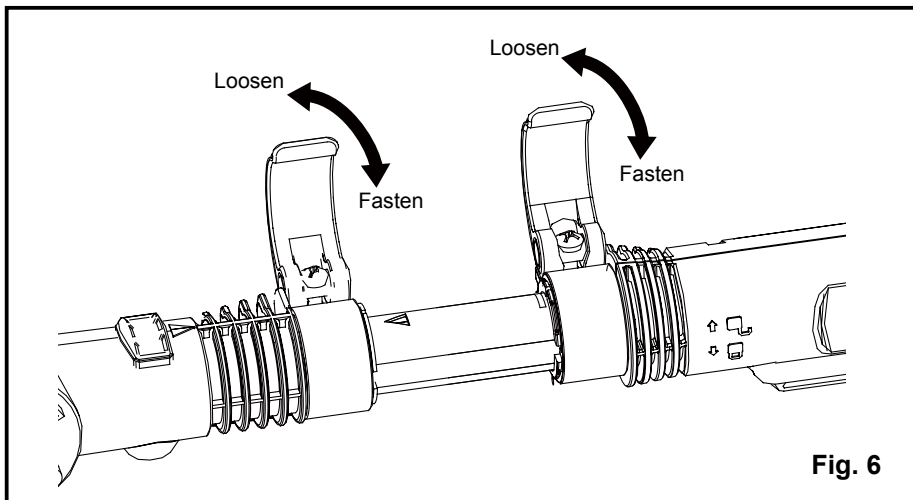
Do not place hand between pivoting head and threaded base. Placement of your hand or fingers in this area could result in a pinch point injury.



OPERATION

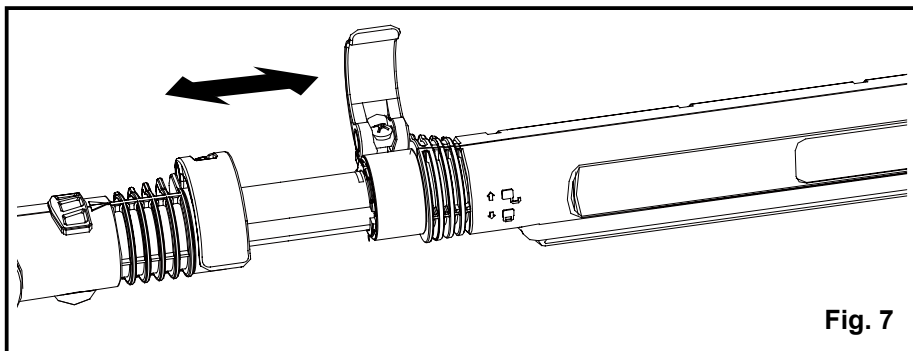
FASTEN AND LOOSEN THE HANDEL CAM LOCK (See Figure 6.)

- Fasten and loosen the handle cam lock as the arrow show.



ADJUSTING POLE LENGTH (See Figure 6.)

- Rest the handle on the ground.
- Loosen the handle cam lock and adjust the handle shaft to a comfortable length.
- Fasten the handle cam lock.



OPERATION

WARNING

Always keep both hands on the hedge trimmer handles. Never hold shrubs with one hand and operate the hedge trimmer with the other. Improper operation of the hedge trimmer could result in serious injury.

CUTTING TIPS

DANGER

Never cut near electric cords or lines. If blade jams on any electrical cord or line, **DO NOT TOUCH THE BLADE! IT CAN BECOME ELECTRICALLY LIVE AND VERY DANGEROUS.** Continue to hold the hedge trimmer by the insulated rear handle or lay it down and away from you in a safe manner. Disconnect the electrical service to the damaged line or cord before attempting to free the blade from the line or cord. Contact with the blade, other conductive parts of the hedge trimmer, or live electric cords or lines will result in death by electrocution or serious injury.

WARNING

Clear the area to be cut before each use. Remove all objects such as cords, lights, wire, or loose string which can become entangled in the cutting blade and create a risk of serious personal injury.

- 5/8" thick, or those obviously too large to feed into the cutting blade. Use a non-powered hand saw or pruning saw to trim large stems.
- Before starting the hedge trimmer, hold the unit with both hands with the cutting blades directed away from you. Always use the hedge trimmer properly.
- Do not force the hedge trimmer through heavy shrubbery. This can cause the blades to bind and slow down. If the blades slow down, reduce the pace.
- Do not try to cut stems or twigs that are larger than 1/2 in. thick, or those obviously too large to feed into the cutting blade. Use a non-powered hand saw or pruning saw to trim large stems.
- If blades do become jammed, stop the motor, allow the blades to stop and remove the battery pack before attempting to remove the obstruction.
- If desired, you can use a string to help cut your hedge level. Decide how high you want the hedge. Then, stretch a piece of string along the hedge at this height. Trim the hedge just above this guide line of string. Trim the side of a hedge so that it will be slightly narrower at the top. More of the hedge will be exposed when shaped this way, and it will be more uniform.
- Always hold hedge trimmer with both hands when operating. Use a firm grip on the handles. The unit is used for cutting in either direction in a slow, sweeping action from side to side.
- Wear gloves when trimming thorny or prickly growth. When trimming new growth, use a wide sweeping action, so that the stems are fed directly into the cutting blade. Older growth will have thicker stems and will be trimmed easiest by using a sawing movement.

MAINTENANCE

WARNING

When servicing, use only identical replacement parts. Use of any other parts may create a hazard or cause product damage.

WARNING

To avoid serious personal injury, always remove the battery pack from the product before inspecting, cleaning or performing any maintenance.

GENERAL MAINTENANCE

Before each use, inspect the entire product for damaged, missing, or loose parts such as screws, nuts, bolts, caps, etc. Tighten securely all fasteners and caps and do not operate this product until all missing or damaged parts are replaced. Please call 1-888-909-6757 or contact an authorized service center for assistance.

Avoid using solvents when cleaning plastic parts. Most plastics are susceptible to damage from various types of commercial solvents and may be damaged by their use. Use clean cloths to remove dirt, dust, oil, grease, etc.

WARNING

Do not at any time let brake fluids, gasoline, petroleum-based products, penetrating oils, etc., come in contact with plastic parts. Chemicals can damage, weaken or destroy plastic which may result in serious personal injury.

Only the parts shown on the parts list are intended to be repaired or replaced by the customer. All other parts should be replaced at an Authorized Service Center.

BATTERY PACK REMOVAL AND PREPARATION FOR RECYCLING

WARNING

Upon removal, cover the battery pack's terminals with heavy-duty adhesive tape. Do not attempt to destroy or disassemble battery pack or remove any of its components. Lithium-ion and nickel-cadmium batteries must be recycled or disposed of properly. Also, never touch both terminals with metal objects and/or body parts as short circuit may result. Keep away from children. Failure to comply with these warnings could result in fire and/or serious injury.

TRANSPORTING AND STORING

- Always place the blade cover on the blade before storing or transporting the hedge trimmer. Use caution to avoid the sharp teeth of the blade.
- Clean the hedge trimmer thoroughly before storing. Store the hedge trimmer indoors, in a dry place that is inaccessible to children. Keep away from corrosive agents such as garden chemicals and de-icing salts.

MAINTENANCE

CLEANING THE HEDGE TRIMMER

- Remove the battery pack.
- Slide the blade cover over the blade.
- Clean dirt and debris from the body of the hedge trimmer, using a damp cloth with a mild detergent.

NOTE: *Do not use any strong detergents on the plastic housing or the handle. They can be damaged by certain aromatic oils such as pine and lemon, and by solvents such as kerosene.*

- Moisture can cause a shock hazard. Wipe off any moisture with a soft dry cloth.
- Use a small brush or the air discharge of a small vacuum cleaner brush to clear dust or debris from the air vents on the motor housing.

STORING THE HEDGE TRIMMER

- Clean the hedge trimmer thoroughly before storing. Store the hedge trimmer in a dry, well-ventilated place that is inaccessible to children. Keep away from corrosive agents such as garden chemicals and de-icing salts.
- Always place the blade cover on the cutting blades before storing.

ENVIRONMENTALLY SAFE BATTERY DISPOSAL



The following toxic and corrosive materials are in the batteries used in this hedge trimmer battery pack: **Lithium-Ion, a toxic material.**

W A R N I N G

All toxic materials must be disposed of in a specified manner to prevent contamination of the environment. Before disposing of damaged or worn out Lithium-Ion battery packs, contact your local waste disposal agency, or the local Environmental Protection Agency for information and specific instructions. Take the batteries to a local recycling and/or disposal centre, certified for lithium-ion disposal.

W A R N I N G

If the battery pack cracks or breaks, with or without leaks, do not recharge it and do not use. Dispose of it and replace with a new battery pack. **DO NOT ATTEMPT TO REPAIR IT!** To avoid injury and risk of fire, explosion, or electric shock, and to avoid damage to the environment:

- Cover the battery's terminals with heavy-duty adhesive tape.
 - DO NOT attempt to remove or destroy any of the battery pack components.
 - DO NOT attempt to open the battery pack.
 - If a leak develops, the released electrolytes are corrosive and toxic. DO NOT get the solution in the eyes or on skin, and do not swallow it.
 - DO NOT place these batteries in your regular household trash.
 - DO NOT incinerate.
 - DO NOT place them where they will become part of any waste landfill or municipal solid waste stream.
 - Take them to a certified recycling or disposal centre.
-

TROUBLESHOOTING

PROBLEM	POSSIBLE CAUSE	SOLUTION
Motor fails to start when switch trigger is depressed.	Battery is not secure.	To secure the battery pack, make sure the latches on the top of the battery pack snap into place.
	Battery is not charged.	Charge the battery pack according to the instructions included with your model.
Motor runs, but cutting blades do not move.	Hedger damaged. Do not use hedge trimmer.	Call for technical service.
Hedge trimmer smokes during operation.	Hedger damaged. Do not use hedge trimmer.	Call for technical service.
Motor hums, blades do not move.	Debris or other may be jamming the blades	Remove battery, clear debris blockage from blades.

WARRANTY



GREENWORKS™ hereby warrants this product, to the original purchaser with proof of purchase, for a period of four (4) years against defects in materials, parts or workmanship. GREENWORKS™, at its own discretion will repair or replace any and all parts found to be defective, through normal use, free of charge to the customer. This warranty is valid only for units which have been used for personal use that have not been hired or rented for industrial/commercial use, and that have been maintained in accordance with the instructions in the owners' manual supplied with the product from new.

Battery and charger carry a two (2) year warranty against defects in workmanship and materials. Batteries must be charged in accordance with the operator's manuals directions and regulations in order to be valid.

ITEMS NOT COVERED BY WARRANTY:

1. Any part that has become inoperative due to misuse, commercial use, abuse, neglect, accident, improper maintenance, or alteration; or
2. The unit, if it has not been operated and/or maintained in accordance with the owner's manual; or
3. Normal wear, except as noted below;
4. Routine maintenance items such as lubricants, blade sharpening;
5. Normal deterioration of the exterior finish due to use or exposure.

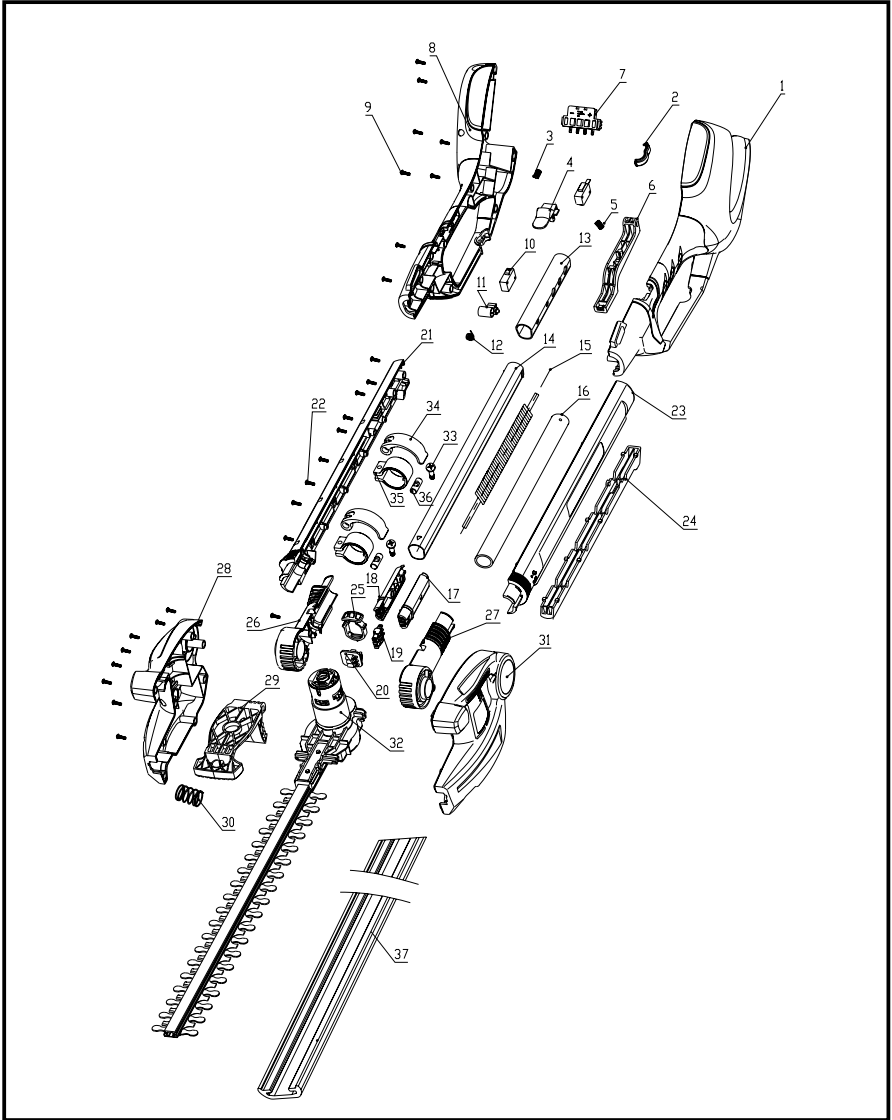
GREENWORKS HELPLINE (1 888 90WORKS):

Warranty service is available by calling our toll-free helpline, 9am to 5pm EST. at **1-888-909-6757 (1-888-90WORKS)**.

TRANSPORTATION CHARGES:

Transportation charges for the movement of any power equipment unit or attachment are the responsibility of the purchaser. It is the purchaser's responsibility to pay transportation charges for any part submitted for replacement under this warranty unless such return is requested in writing by GREENWORKS.

EXPLODED VIEW



PARTS LIST

ITEM NO.	PART NO.	DESCRIPTION	QTY
1	34101707	left handle	1
2	34103707	cord clip	1
3	33401178B	spring	2
4	34113505-1	anti-lock off button	1
5	33402161-1	spring	1
6	34121708	switch button	1
7	34104978	motor housing insert board	1
8	34102707	right handle	1
9	32201517	nut	23
10	36301454-2	switch	1
11	34105646	eccentric knob	1
12	33201646	trigonal spring	1
13	33101646	connection tube	1
14	33102646	glide tube	1
15	36901646	spring powercord	1
16	34113646	fixing tube	1
17	34107646	L female insert	1
18	34108646	R female insert	1
19	33314470	female insert	2
20	34106646	male plug	1
21	34103646	R assistant handle	1
22	32201715	nut	9
23	34102646	L assistant handle	1
24	34104646	switch trigger	1
25	34109648	button	1
26	34104648	right rotating	1
27	34103648	left rotating	1
28	34102648	right housing	1
29	34105648	rotating handle	1
30	33901648	spring	1
31	34101648	left housing	1
32	31107268	motor and gear box assy.	1
33	33202648	bolt	2
34	33104505	wrench	2
35	33302646	clamp tube	2
36	33203334	fixing shaft	2
37	34108648	blade cover	1



TOLL-FREE HELPLINE: 1-888-90WORKS (888.909.6757)

Rev: 00 (01-07-13)



Printed in China on 100% Recycled Paper