



32in Recycler® Kit

2011 and After TimeCutter® Z Riding Mower

Model No. 79017

Installation Instructions

Installation

Loose Parts

Use the chart below to verify that all parts have been shipped.

Procedure	Description	Qty.	Use
1	No parts required	–	Prepare the mower.
2	Kicker plate Bolt (5/16 x 3/4 inch) Bolt (5/16 x 1-1/4 inches) Lock nut (5/16 inch)	4 7 1 8	Install the kicker plates.
3	Deck ring Bolt (5/16 x 3/4 inch) Lock nut (5/16 inch)	4 8 8	Install the deck ring
4	Discharge cover Wing nut	1 1	Install the discharge cover.
5	Recycling decal	1	Instal the decal.

1

Preparing the Mower

No Parts Required

Procedure

1. Stop the engine and remove the ignition key.
2. Remove the cutting deck as described in your *Operator's Manual*.
3. Turn the mower upside down.
4. Remove the lock nuts and bolt securing the cutoff baffle to the underside of the deck (Figure 1). Retain all parts and fasteners.

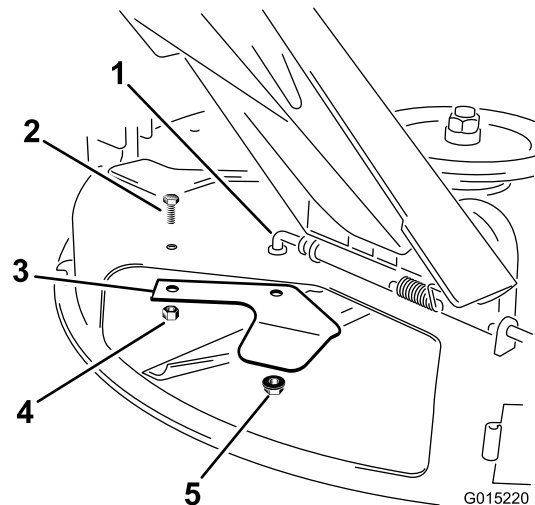


Figure 1

- | | |
|-----------------------------|------------------------|
| 1. Pivot rod | 4. Nut (5/16 inch) |
| 2. Bolt | 5. Lock nut (3/8 inch) |
| 3. Cutoff baffle (existing) | |

5. Replace the locknut onto the pivot rod.

2

Installing the Kicker Plates

Parts needed for this procedure:

4	Kicker plate
7	Bolt (5/16 x 3/4 inch)
1	Bolt (5/16 x 1-1/4 inches)
8	Lock nut (5/16 inch)

Procedure

1. Align the three kicker plates as shown in Figure 2.

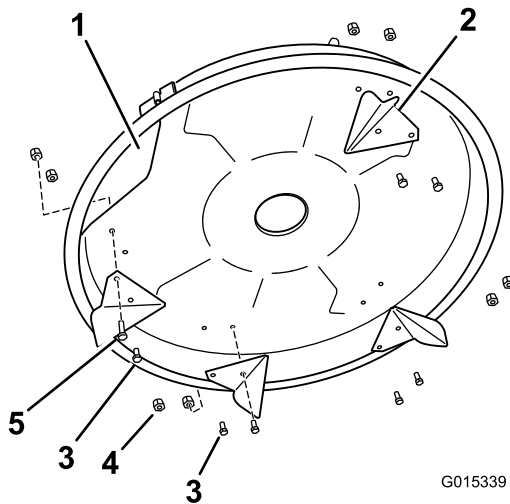


Figure 2

- | | |
|------------------------------|-------------------------------|
| 1. Discharge opening in deck | 4. Lock nut (5/16 inch) |
| 2. Kicker plate | 5. Bolt (5/16 x 1-1/4 inches) |
| 3. Bolt (5/16 x 3/4 inch) | |

2. Secure the plates to the mower using seven bolts (5/16 x 3/4 inch), one bolt (5/16 x 1-1/4 inches) and eight lock nuts (5/16 inch). Make sure the one longer bolt is used in the hold nearest to the discharge opening in the deck to accommodate the mulch cover in a later step (Figure 2).

3

Installing the Deck Ring

Parts needed for this procedure:

4	Deck ring
8	Bolt (5/16 x 3/4 inch)
8	Lock nut (5/16 inch)

Procedure

1. Install the interlocking deck rings to the bottom of the mower (Figure 3).

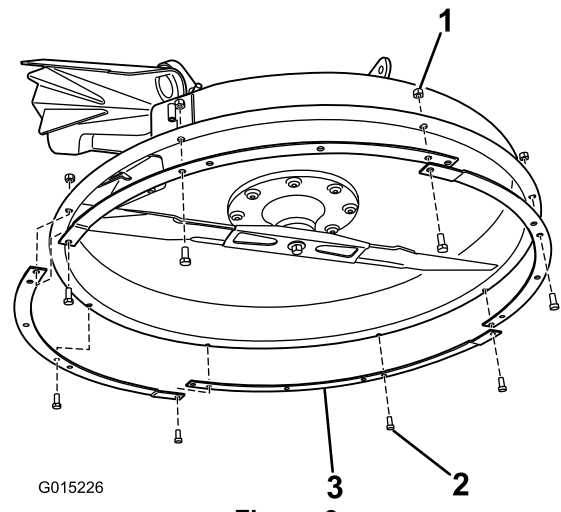


Figure 3

- | | |
|---------------------------|--------------|
| 1. Lock nut (5/16 inch) | 3. Deck ring |
| 2. Bolt (5/16 x 3/4 inch) | |

2. Secure the rings to the deck using 8 bolts (5/16 x 3/4 inch) and 8 lock nuts (5/16 inch).

4

Installing the Discharge Cover

Parts needed for this procedure:

1	Discharge cover
1	Wing nut

Procedure

1. Lift the grass deflector and place the discharge cover over the opening onto the lower lip of the mower and slide it into the front hinge (Figure 4).

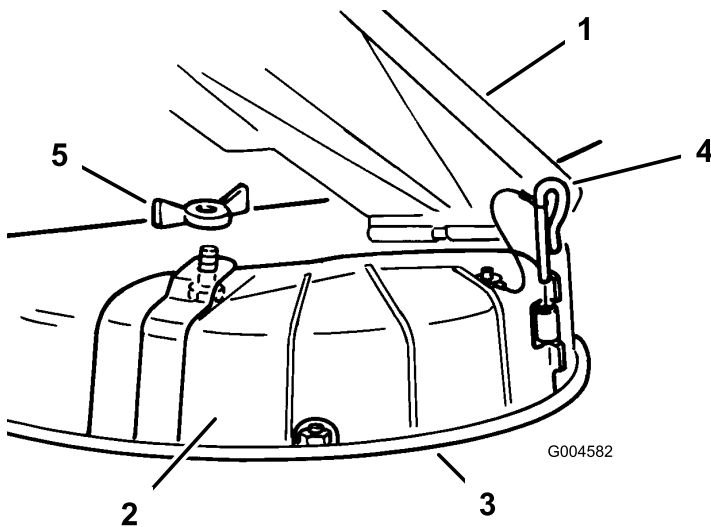


Figure 4

1. Grass deflector
2. Discharge cover
3. Lower lip
4. Hinge pin
5. Wing nut

2. Slide the hinge pin through the hinge (Figure 4).
3. Secure the discharge cover to the mower with the wing nut (Figure 4).
4. Lower the grass deflector over the discharge opening.

5

Installing the Decal

Parts needed for this procedure:

1	Recycling decal
---	-----------------

Procedure

Install the decal on left side of the mower (Figure 5).

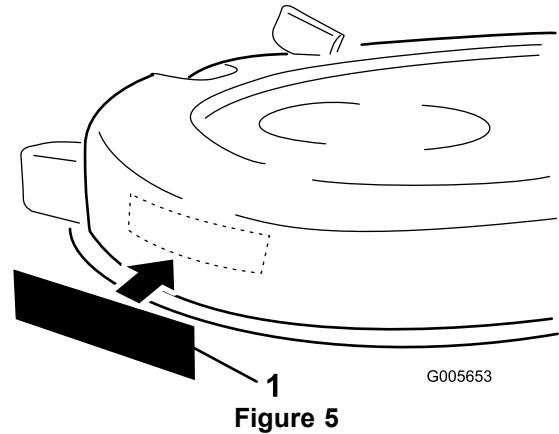


Figure 5

1. Recycler decal

Operation

Converting Back to Side Discharge

⚠ DANGER

Without the grass deflector, discharge cover, or complete grass catcher assembly mounted in place, you and others are exposed to blade contact and thrown debris. Contact with rotating mower blade(s) and thrown debris will cause injury or death.

- Never remove the grass deflector from the mower because the grass deflector routes material down toward the turf. If the grass deflector is ever damaged, replace it immediately.
- Never put your hands or feet under the mower.
- Never try to clear the discharge area or mower blades unless you move the power take off (PTO) to disengage and turn the ignition key to off. Also remove the key and pull the wire off the spark plug(s).

Removing the Discharge Cover for Side Discharge

1. Park the machine on a level surface and disengage the blade control switch.
2. Move the motion control levers outward to park position, stop the engine, remove the key, and wait for all moving parts to stop before leaving the operating position.
3. Retrieve the parts and fasteners that were set aside in Preparing the Mower.
4. Remove the wing nut, bolt and the hinge pin securing the side-discharge cover in place and lift the cover out and away from the deck (Figure 6). Retain all parts for future use.

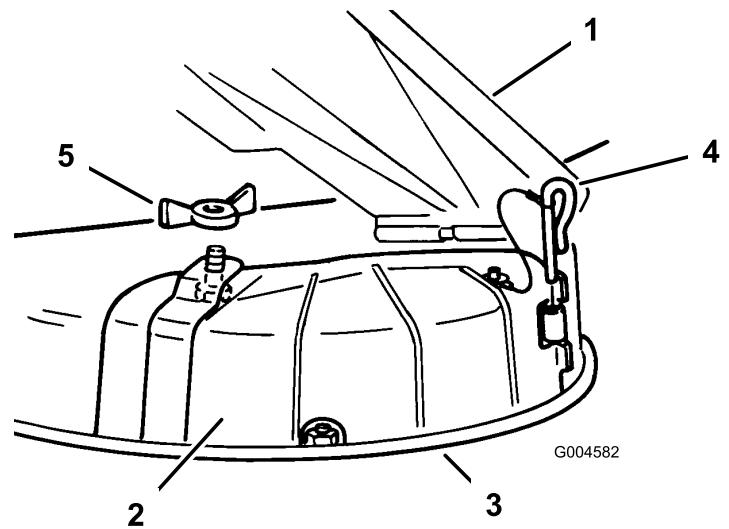


Figure 6

- | | |
|--------------------|--------------|
| 1. Grass deflector | 4. Hinge pin |
| 2. Discharge cover | 5. Wing nut |
| 3. Lower lip | |

5. Reaching inside the side-discharge opening, remove the kicker and set it and the long bolt aside for future use. Keep the lock nut for use in the next step (Figure 1).

Note: The deck rings and remaining kickers can remain on the deck in side-discharge mode.

6. Reinstall the cutoff baffle in its original position.
7. Lower the grass deflector over the discharge opening.

Important: Ensure the mower has a hinged grass deflector that disperses clippings to the side and down toward the turf, while in side discharge mode.

Operating Tips

Selecting the Proper Height-of-Cut Setting to Suit the Conditions

Remove approximately one inch or no more than $\frac{1}{3}$ of the grass blade when cutting. In exceptionally lush and dense grass you may have to raise the height-of-cut setting another notch or convert to side discharge or bagging operations.

Mowing in Extreme Conditions

Air is required to cut and recut grass clippings in the mower housing, so do not set the height-of-cut too low or totally surround the housing by uncut grass. Always have one side of the mower housing free from uncut grass, allowing air to be drawn into housing. When

making an initial cut through the center of the uncut area, operate the machine at a slower speed and back up if the mower starts to clog.

Mowing at the Proper Intervals

Under normal conditions you'll need to mow every 4-5 days. However, grass grows at different rates at different times. Thus, in order to maintain the same height-of-cut, which is a good practice, you'll need to cut more frequently in early spring; as the grass growth rate slows in mid summer, cut only every 8-10 days. If you are unable to mow for an extended period due to the weather conditions or other reasons, convert to side discharge or bagging options or mow first with the height-of-cut at a high level; then mow again 2-3 days later with a lower height setting.

Always Mow with Sharp Blades

A sharp blade cuts cleanly and without tearing or shredding the grass blade like a dull blade. Tearing and shredding causes the grass to turn brown at the edges which impairs growth and increases susceptibility to disease.

Cleaning After Operating

To ensure optimum performance, clean the underside of the mower housing. If residue is allowed to build up in mower housing, cutting performance will decrease.

Notes:

Notes:



Count on it.