



*Most Widely Accepted and Trusted*

# ICC-ES Evaluation Report

# ESR-3731

ICC-ES | (800) 423-6587 | (562) 699-0543 | [www.icc-es.org](http://www.icc-es.org)

Reissued 11/2018  
This report is subject to renewal 11/2019.

**DIVISION: 07 00 00—THERMAL AND MOISTURE PROTECTION**  
**SECTION: 07 65 00—FLEXIBLE FLASHING**  
**SECTION: 07 72 00—ROOF ACCESSORIES**

**REPORT HOLDER:**

**NU-STEP LLC**

**EVALUATION SUBJECT:**

**NU-STEP POLYMER STEP FLASHING**



*“2014 Recipient of Prestigious Western States Seismic Policy Council (WSSPC) Award in Excellence”*



*ICC-ES Evaluation Reports are not to be construed as representing aesthetics or any other attributes not specifically addressed, nor are they to be construed as an endorsement of the subject of the report or a recommendation for its use. There is no warranty by ICC Evaluation Service, LLC, express or implied, as to any finding or other matter in this report, or as to any product covered by the report.*



# ICC-ES Evaluation Report

**ESR-3731**

Reissued November 2018

This report is subject to renewal November 2019.

[www.icc-es.org](http://www.icc-es.org) | (800) 423-6587 | (562) 699-0543

A Subsidiary of the International Code Council®

## DIVISION: 07 00 00—THERMAL AND MOISTURE PROTECTION

Section: 07 65 00—Flexible Flashing

Section: 07 72 00—Roof Accessories

### REPORT HOLDER:

NU-STEP LLC

### EVALUATION SUBJECT:

NU-STEP POLYMER STEP FLASHING

## 1.0 EVALUATION SCOPE

### Compliance with the following codes:

- 2018, 2015, 2012 and 2009 *International Building Code*® (IBC)
- 2018, 2015, 2012 and 2009 *International Residential Code*® (IRC)

### Properties evaluated:

- Weather resistance
- Durability

## 2.0 USES

Nu-Step Step Flashing is a polymer step flashing used as a mechanically attached flashing at wall and roof intersections to prevent moisture from penetrating the roof under IBC Section 1503.2 and IRC Section R903.2.

## 3.0 DESCRIPTION

Nu-Step Step Flashing is made of a proprietary polymer and is approximately 8 inches long by 8 inches wide by 0.033 inches thick.

## 4.0 INSTALLATION

Nu-Step Step Flashing installation must be installed in accordance with the manufacturer's published installation instructions, the applicable code and this evaluation report. In the event of a conflict between this report and the manufacturer's published installation instructions, this report governs.

Nu-Step Step Flashing installation must be coordinated with installation of roof shingles. Roofing underlayment, roof shingles, drainage material and gutters must be installed in accordance with the applicable code and the roof covering manufacturer's installation instructions and/or design professional's specifications and instructions.

Nu-Step Step Flashing must be bent and creased at 90 degrees as shown in Figure 1. Each piece of step flashing is installed under each course of shingles with a minimum 2-inch (51 mm) overlap to the flashing below. Each piece of Nu-Step Step Flashing is fastened through the shingle and step flashing into the roof deck. The adjacent side of the step flashing is covered by the siding or counter flashing on any vertical protrusion. See Figure 2.

## 5.0 CONDITIONS OF USE

The Nu-Step Step Flashing described in this report complies with, or is a suitable alternative to what is specified in, those codes listed in Section 1.0 of this report, subject to the following conditions:

- 5.1 Nu-Step Step Flashing must be installed in accordance with the manufacturer's published installation instructions, the applicable code and this evaluation report. In the event of a conflict between this report and the manufacturer's published installation instructions, this report governs.
- 5.2 The flashing is limited to use on solid sheathed roof decks.

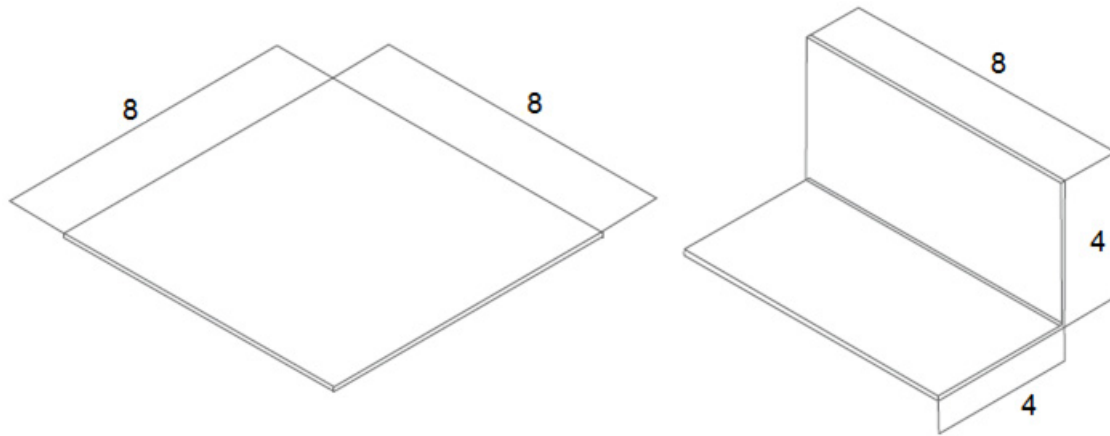
## 6.0 EVIDENCE SUBMITTED

- 6.1 Data in accordance with Sections 4.3 and 4.4 of the ICC-ES Acceptance Criteria for Attic Vents (AC132), dated February 2010 (editorially revised January 2018).
- 6.2 Manufacturer's installation instructions.
- 6.3 Quality documentation in accordance with the ICC-ES Acceptance Criteria for Quality Documentation (AC10), dated June 2014.

## 7.0 IDENTIFICATION

- 7.1 Each Nu-Step Step Flashing bundle is labeled with the product name (Nu-Step Step Flashing), the report holder's name (Nu-Step) and the evaluation report number (ESR-3731).
- 7.2 The report holder's contact information is the following:

**NU-STEP LLC**  
**1700 DOVER STREET**  
**LAKEWOOD, COLORADO 80215**  
**(303) 237-6339**  
[www.nu-step.net](http://www.nu-step.net)



Each Nu-Step (step flashing) is supplied as 8" x 8" flat and can be bent 90 degrees and creased to 8" x 4" x 4" for installation

FIGURE 1—NU-STEP STEP FLASHING

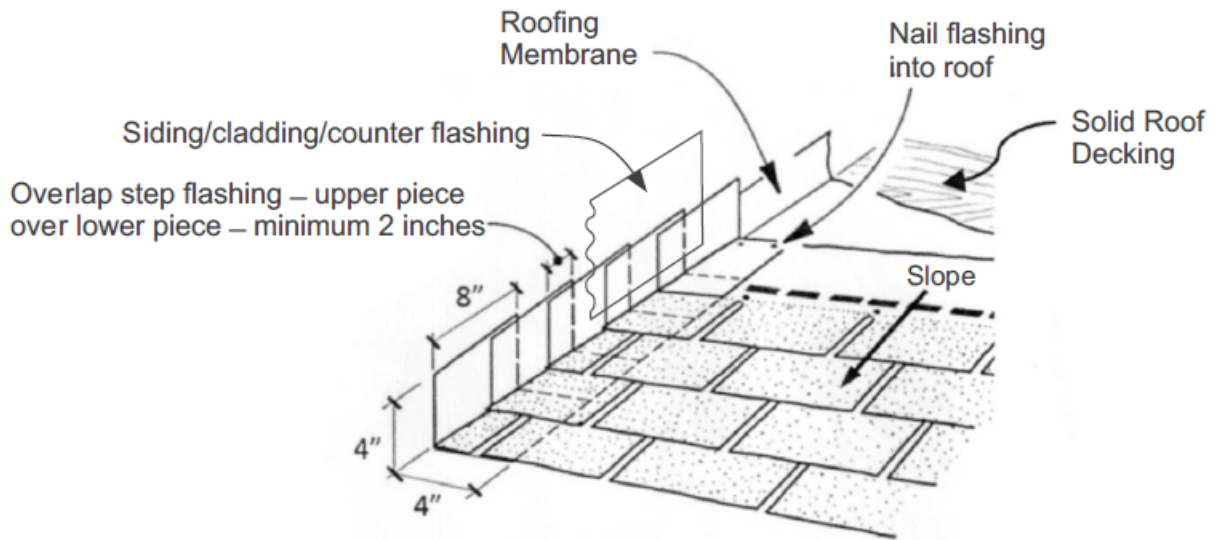


FIGURE 2—INSTALLATION