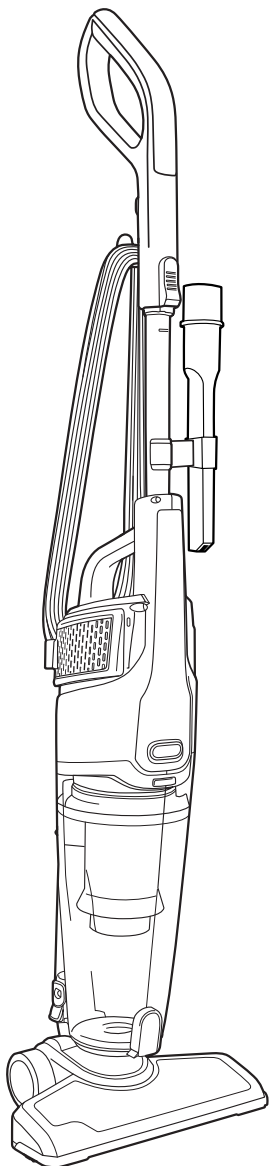


Simplicity[®]

VACUUMS



Spiffy[™]

Owner's Manual

S60

Polarization Instructions 3
Parts Identification 4
Vacuum Description 5-6
Assembling the Vacuum 7
Operating the Vacuum..... 8
Emptying the Dust Cup 9
Cleaning the Dust Cup 10
Replacing the HEPA Media Filter..... 10
Cleaning the Foam Filters 11
Troubleshooting..... 12
Warranty..... 13

Customer’s Record

The model and serial numbers of this product may be found on the back of the unit. You should register your vacuum online at www.SimplicityVac.com as soon as possible for your protection. Also note the model and serial numbers of your unit in the spaces provided below, and retain this book as a permanent record of your purchase.

Model Number _____
Serial Number _____
Date Purchased _____

This vacuum cleaner is a product of high-quality materials and superior workmanship. We urge you to read these operating instructions carefully before you use this vacuum cleaner in order to obtain the full performance and satisfaction it can offer you.

Save These Instructions

Before you plug in this vacuum cleaner charger, make sure the voltage indicated on the rating plate located on the back of the charger is the same as your local supply.

IMPORTANT SAFETY INSTRUCTIONS

When using an electrical appliance, basic precautions should always be followed, including the following:

READ ALL INSTRUCTIONS BEFORE USING THIS APPLIANCE. FOR HOUSEHOLD USE ONLY.

IMPORTANT: The manufacturer cannot accept responsibility for damage caused when the appliance is not used according to the instructions, or for uses other than those for which it was intended.

WARNING: To reduce the risk of fire, electric shock, damage or injury:

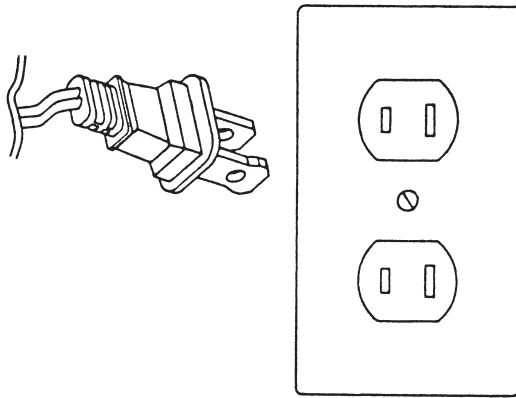
- Empty the dust cup before the contents reach the “fill line” on the dust cup. Over-filling the dust cup may cause dirt and debris to clog the filter and cause loss of suction.
- Always unplug the vacuum from the electrical outlet before removing the dust cup.
- Do not leave appliance when plugged in. Unplug from outlet when not in use and before servicing.
- **WARNING:** ELECTRIC SHOCK COULD OCCUR IF USED OUTDOORS OR ON WET SURFACES.
- Do not allow to be used as a toy. Close attention is necessary when used by or near children.
- Use only as described in this manual. Use only manufacturer’s recommended attachments.
- Do not use with damaged cord or plug. Or if appliance is not working as it should, has been dropped, damaged, left outdoors, or dropped into water, return it to your Authorized Simplicity Retailer for service.
- Do not unplug by pulling on cord. To unplug, grasp the plug, not the cord.
- Do not pull or carry by cord, use cord as a handle, close a door on the cord, or pull cord around sharp edges or corners. Do not run appliance over cord. Keep cord away from heated surfaces.
- Do not handle plug or appliance with wet hands.
- Do not put any object into openings. Do not use with any opening blocked; keep free of dust, lint, hair and anything that may reduce air flow.
- Keep hair, loose clothing, fingers and all parts of body away from openings and moving parts.
- Do not pick up anything that is burning or smoking, such as cigarettes, matches or hot ashes.
- Do not use without filters in place.
- Turn off all controls before unplugging.
- Do not use to pick up flammable or combustible liquids such as gasoline or use in areas where they may be present.
- Do not attempt to service the unit while appliance is plugged in.
- Do not use vacuum to pick up water or any wet materials.
- Use extra care when cleaning on stairs.

SAVE THESE INSTRUCTIONS

POLARIZATION INSTRUCTIONS

Power Cord, 2-Wire Polarized Cord

To reduce the risk of electric shock, the vacuum is equipped with a polarized alternating current line plug (a plug having one blade wider than the other). This plug will fit into the power outlet only one way. This is a safety feature. If you are unable to insert the plug fully into the outlet, try reversing the plug. If the plug should still fail to fit, contact a qualified electrician to replace the obsolete outlet. Do not defeat the safety purpose of the polarized plug.



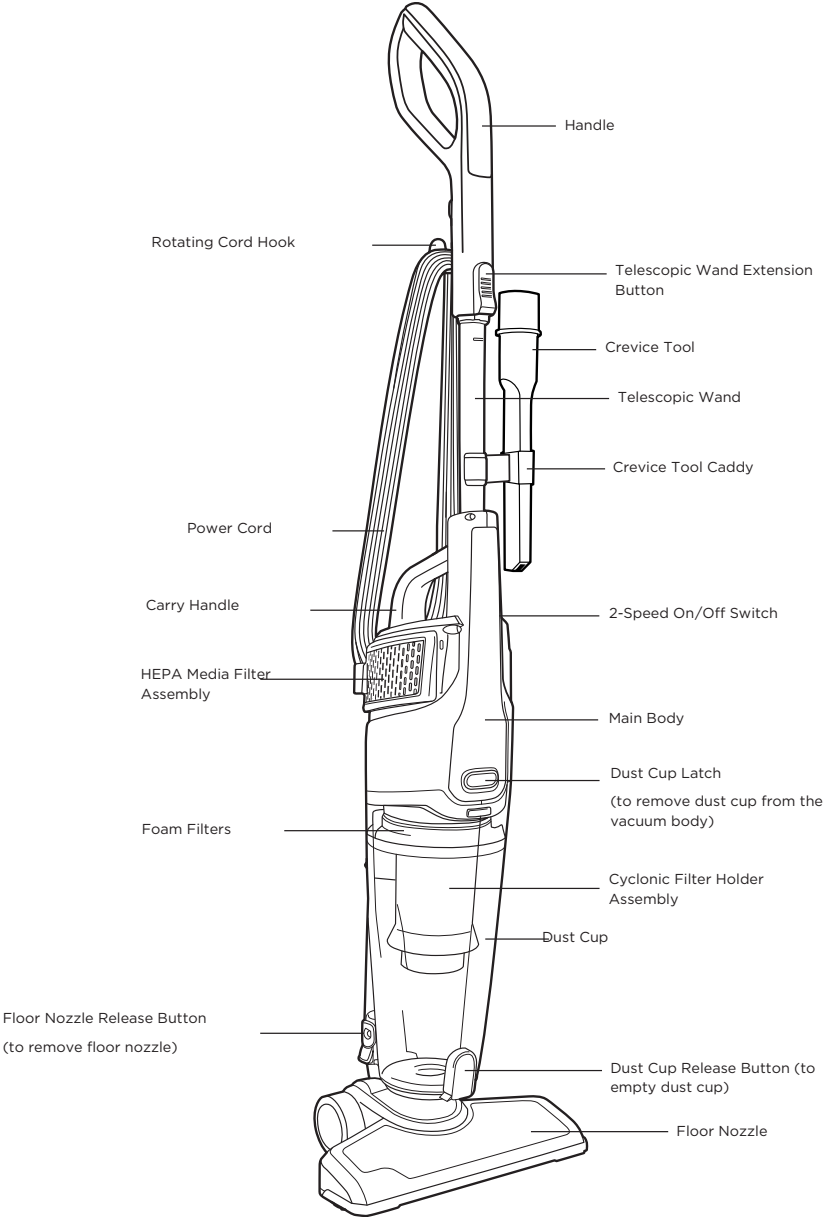
State of California Proposition 65 Warnings:

WARNING: This product contains one or more chemicals known to the State of California to cause cancer.

WARNING: This product contains one or more chemicals known to the State of California to cause birth defects or other reproductive harm.

For more information visit www.simplicityvac.com

PARTS IDENTIFICATION



Replacement Filters

- Genuine HEPA Media and Foam Filter Set

Part # RS60F

VACUUM DESCRIPTION

Rotating Cord Hook

The upper cord hook rotates to allow quick access to the power cord (Fig. 1).

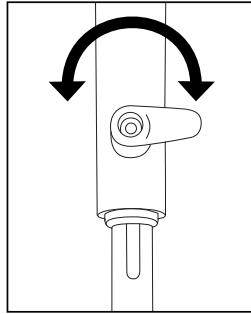


Fig. 1

2-Speed On/Off Switch

Push the switch to the “Low Speed” position indicated by the “I”. Push the switch to the “High Speed” position indicated by the “II” when more power is required. Push the switch to the “Off” position indicated by the “O” when not in use (Fig. 2).

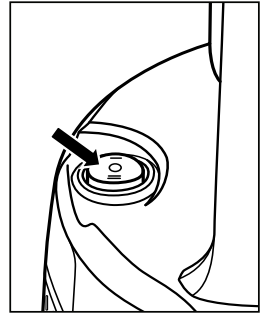


Fig. 2

Telescopic Wand

While pressing the button forward, shorten or lengthen the telescopic wand to the desired length (Fig. 3).

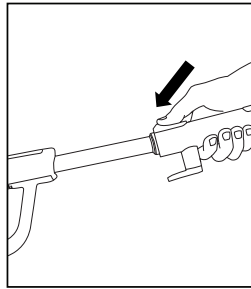


Fig. 3

Cord Storage Hooks

Turn the upper cord hook to the upright position and wind the power cord around the cord storage hooks when storing the vacuum (Fig. 4).

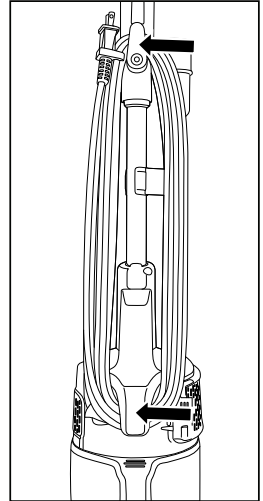


Fig. 4

VACUUM DESCRIPTION

Floor Nozzle

Attach the floor nozzle to the end of the neck of the dust cup for cleaning bare floors (Fig. 1).

Crevice Tool

The cleaning tool caddy holds the crevice tool. This tool can be attached to the end of the main unit in place of the floor nozzle for cleaning along baseboards and small spaces (Fig. 2).

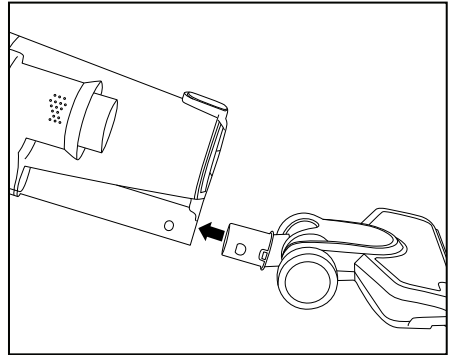


Fig. 1

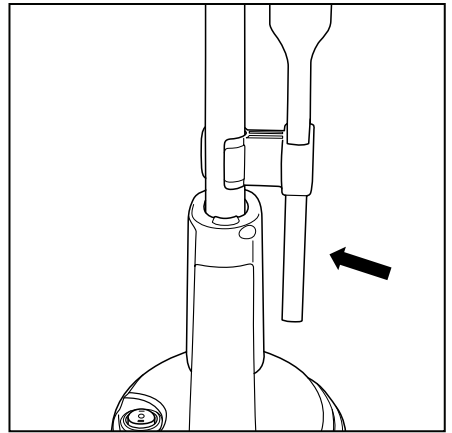


Fig. 2

ASSEMBLING THE VACUUM

NOTE: Always unplug the vacuum before assembling or removing accessories.

1. Insert the telescoping wand into the top of the main unit. Ensure the button on the wand locks into place (Fig. 1).
2. Attach the tool caddy to the telescoping wand, then insert the crevice tool into the caddy (Fig. 2).
3. Attach the floor nozzle to the neck of the dust cup ensuring the button on the nozzle neck locks into place (Fig. 3).
4. Push the button on the telescopic wand forward to shorten or lengthen the wand to the desired length (Fig. 4).

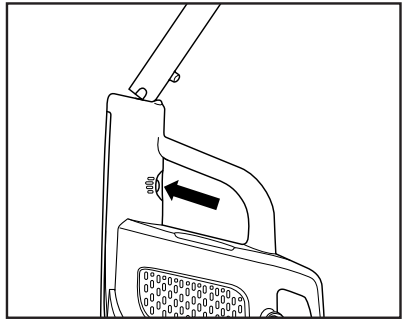


Fig. 1

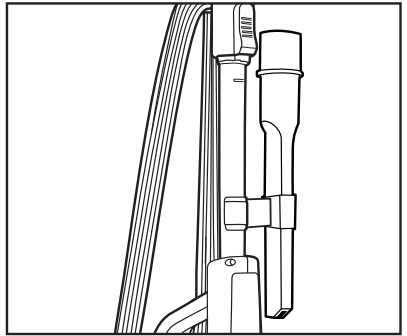


Fig. 2

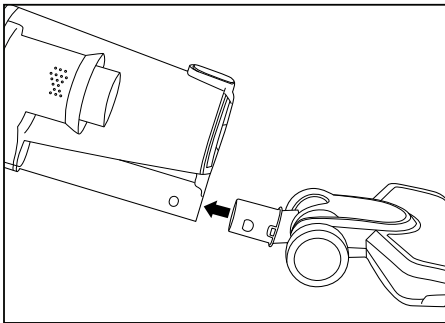


Fig. 3

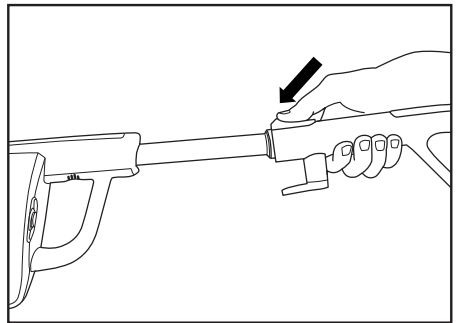


Fig. 4

OPERATING THE VACUUM

1. Rotate the top cord hook to release the power cord from the cord storage hooks (Fig. 1).
2. Extend the telescopic wand to the desired length (Fig. 2).
3. If it is not already on the vacuum, attach the floor nozzle to the end of the dust cup for cleaning bare floors or area rugs (Fig. 3).
4. Insert the power plug into a wall outlet and press the on/off switch located on top of the main unit to the desired speed (Fig. 4).
5. Replace the floor nozzle with the crevice tool for cleaning baseboards, ceilings and small spaces (Fig. 5).

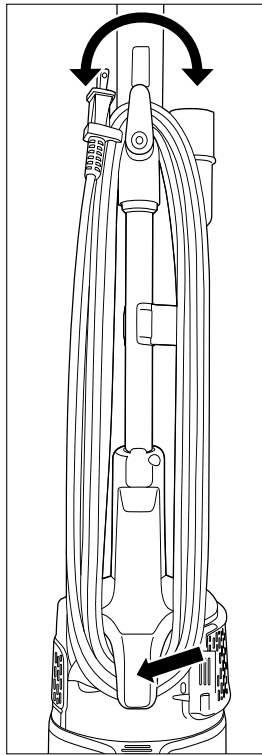


Fig. 1

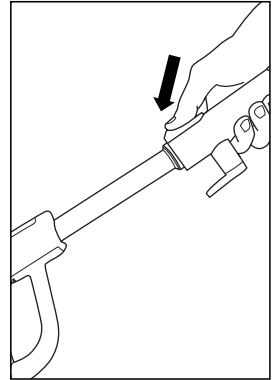


Fig. 2

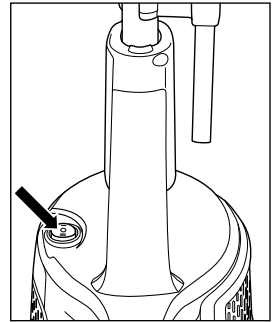


Fig. 4

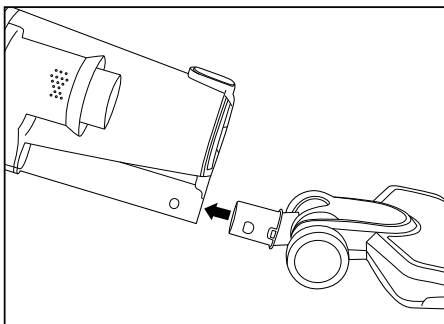


Fig. 3

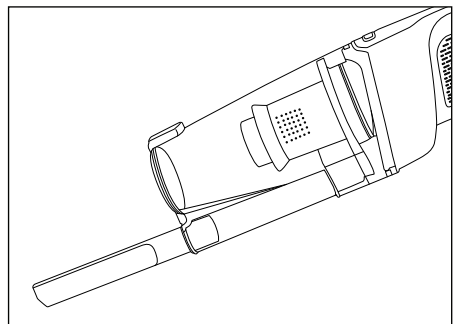


Fig. 5

EMPTYING THE DUST CUP

WARNING: Empty the dust cup before the contents reach the bottom of the cyclonic filter assembly. Overfilling the dust cup may cause dirt and debris to clog the filter and cause loss of suction.

WARNING: Always unplug the vacuum from the electrical outlet before removing the dust cup.

1. Turn the vacuum off and unplug the power cord from the wall outlet.
2. While holding the vacuum over a trash can, push the release button at the bottom of the dust cup. The base of the dust cup will drop down, releasing the dirt (Fig. 1).
3. Close the bottom of the dust cup, ensuring it locks into place (Fig. 2). Resume vacuuming.

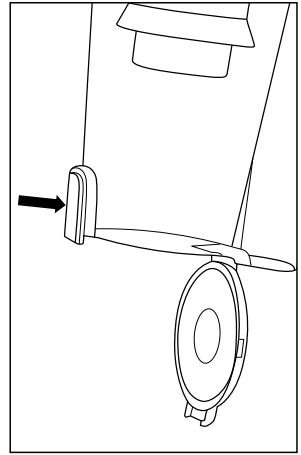


Fig. 1

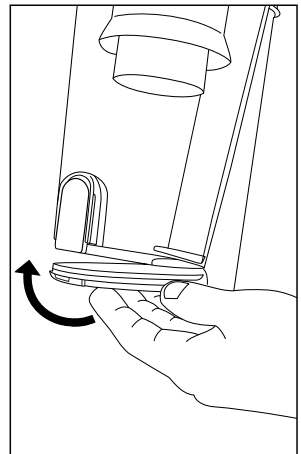


Fig. 2

CLEANING THE DUST CUP

1. Push the dust cup latch to remove the dust cup from the vacuum (Fig. 1).
2. Remove the floor nozzle from the dust cup by pressing the red button on the nozzle neck and pulling the floor nozzle out of the dust cup (Fig. 2).
3. Remove the cyclonic filter holder (Fig. 3).
4. Shake out remaining dust and rinse with water. Make sure all pieces are completely dry before replacing in the vacuum.
5. Replace the cyclonic filter holder.
6. Replace the dust cup onto the vacuum (Fig. 4). Then replace the floor nozzle and resume vacuuming (Fig. 5).

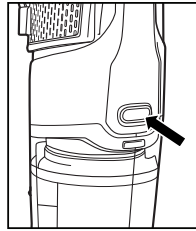


Fig. 1

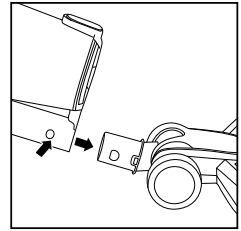


Fig. 2

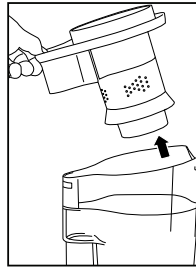


Fig. 3

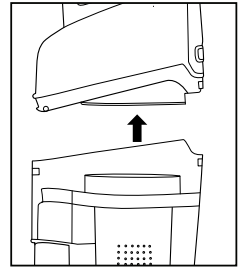


Fig. 4

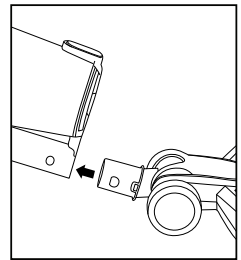


Fig. 5

REPLACING THE HEPA MEDIA FILTER

WARNING: Always unplug the vacuum from the electrical outlet before removing the filters.

1. Remove the filter cover by pushing in on the tab and rotating the cover out (Fig. 1).
2. Remove the filter by grasping the filter and pulling the filter straight out of the machine (Fig. 2).
3. Replace with a new filter (do not wash and reuse).
4. Replace the filter cover by inserting the two tabs in first then snapping the cover in place with the large tab.

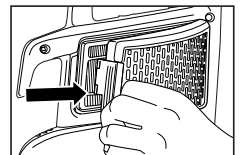


Fig. 1

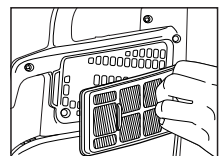


Fig. 2

REPLACING THE FOAM FILTERS

Pre-Motor Filter

1. Push the dust cup latch to remove the dust cup from the vacuum (Fig. 1).
2. Remove the gray foam filter from the frame located at the base of the main body (Fig. 2).
3. Shake or tap the filter to remove excess dust or replace with a new filter (do not wash or reuse).
4. Replace the dust cup onto the vacuum (Fig. 4).

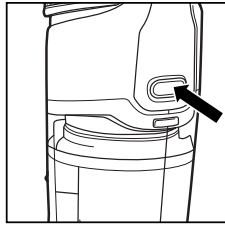


Fig. 1

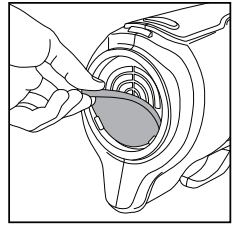


Fig. 2

High Flow Dust Bin Filter

1. Push the dust cup latch to remove the dust cup from the vacuum (Fig. 1).
2. Remove the white High Flow filter by grasping the top of the filter and pulling straight up (Fig. 3).
3. Shake or tap the filter to remove excess dust or replace with a new filter (do not wash or reuse).
4. Replace the dust cup onto the vacuum (Fig. 4).

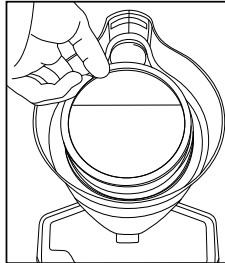


Fig. 3

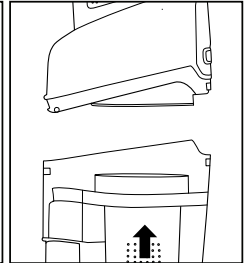


Fig. 4

Pre-Filter

1. Push the dust cup latch to remove the dust cup from the vacuum (Fig. 1).
2. Remove the cyclonic filter holder (Fig. 5).
3. Remove the white High Flow filter by grasping the top of the filter and pulling straight up (Fig. 3).
4. Remove the black pre-filter from the inside of the cyclonic filter holder (Fig. 6).
5. Shake or tap the filter to remove excess dust or replace with a new filter (do not wash or reuse).
6. Replace the pre-filter and the High Flow filter in the cyclonic filter holder.
7. Replace the dust cup onto the vacuum (Fig. 4).

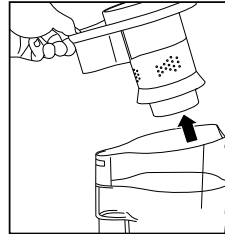


Fig. 5

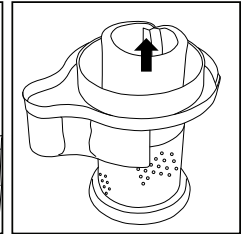


Fig. 6

WARNING: Do not put filters in the dishwasher or clothes washing machine.

TROUBLESHOOTING

Problem	Check Point	Possible Solution
Suction power is weak.	<ul style="list-style-type: none">• Dust cup• Floor nozzle/ Crevice tool• Filters	<ul style="list-style-type: none">• If the dust cup is full, empty it.• If clogged, remove the object.• Replace filters.
The vacuum does not work.	<ul style="list-style-type: none">• Power cord	Insert the power plug firmly into an electrical outlet.
Sudden loss of power.	<ul style="list-style-type: none">• Thermal reset	Turn off vacuum and unplug from electrical outlet. Let vacuum cool down for 60 minutes before turning back on. Check for clogs. Empty dust container.
Dirt and debris are blowing through exhaust vent.	<ul style="list-style-type: none">• Filters	Make sure all filters are clean, dry and installed correctly.
Any other service should be performed by an Authorized Simplicity Vacuum Retailer. To locate your nearest Authorized Retailer, visit our website at www.SimplicityVac.com or call 888-9-SIMPLY.		

FOR BEST PERFORMANCE

- Keep machine and all accessories clean and in good operating condition.
- Replace HEPA media filter and clean foam filters frequently if vacuuming fine powders such as flour or drywall dust.
- Always use genuine filters and parts, as use of other products may result in poor cleaning or filtration performance. Simplicity Vacuums filtration products are designed for maximum performance.
- Store machine carefully in a dry area.
- For optimum cleaning performance and safety, follow your owner's manual.

What is Covered:

This warranty covers any defects in material and workmanship in your new vacuum and applies exclusively to the original purchaser.

How Long Coverage Lasts:

Warranty coverage for this vacuum lasts two years. Household models used commercially are only warranted for 90 days.

What is Not Covered:

- Damage to the vacuum which occurs from neglect, abuse, alterations, accident, misuse or improper maintenance.
- Normal replacement items: disposable filters.
- Damage associated with or resulting from the use of non-genuine parts including normal replacement items.

What We Will Do:

This warranty provides, at no cost to you, all labor and parts to keep this vacuum in correct operating condition during the warranted period.

How to Get Service:

Warranty service can only be obtained by presenting the vacuum to an Authorized Simplicity Retailer. A proof-of-purchase and product serial number will be required before service is rendered. To locate your nearest service center, please call 888-9-SIMPLY or visit www.SimplicityVac.com.

THIS WARRANTY IS EXCLUSIVE AND IN LIEU OF ANY AND ALL OTHER WARRANTIES WHETHER WRITTEN, ORAL, EXPRESSED OR IMPLIED, (INCLUDING ANY WARRANTY OF MERCHANTABILITY OR FITNESS FOR A PARTICULAR PURPOSE). THIS WARRANTY DISCLAIMS LIABILITY FOR INCIDENTAL OR CONSEQUENTIAL DAMAGES.

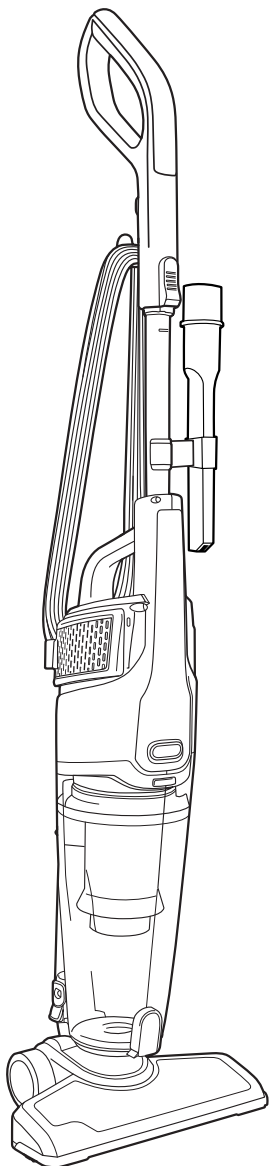
How State Law Applies:

This warranty gives you specific legal rights, and you may also have other rights which vary from state to state.

Register your warranty online at **www.SimplicityVac.com**

Simplicity[®]

VACUUMS



Spiffy[™]

Owner's Manual

S60

Instrucciones de polarización	3
Identificación de las piezas.....	4
Descripción de la aspiradora	5-6
Ensamblaje de la aspiradora	7
Funcionamiento de la aspiradora	8
Vaciado del depósito de polvo	9
Limpieza del depósito de polvo	10
Reemplazo del filtro HEPA.....	10
Limpieza de los filtros de esponja.....	11
Resolución de problemas	12
Garantía	13

REGISTRO DEL CLIENTE

El modelo y los números de serie de este producto se encuentran en la parte posterior de la unidad. Debe registrar su aspiradora en línea en www.SimplicityVac.com tan pronto como sea posible para su protección. Escriba también el modelo y los números de serie de su unidad en los espacios que se proporcionan a continuación y guarde este folleto como un registro permanente de su compra.

Número de modelo _____

Número de serie _____

Fecha de compra _____

Su aspiradora de es un producto con materiales de alta calidad y manufactura superior. Le recomendamos que lea estas instrucciones de funcionamiento con atención antes de usar esta aspiradora para así obtener el mejor rendimiento y satisfacción que puede ofrecerle.

CONSERVE ESTAS INSTRUCCIONES

Antes de conectar el cargador de su aspiradora de, asegúrese de que el voltaje indicado en la placa de características ubicada en la parte posterior del cargador sea igual al de su suministro local.

INSTRUCCIONES DE SEGURIDAD IMPORTANTES

Al utilizar un electrodoméstico siempre se deben seguir las precauciones básicas, incluidas las siguientes:

LEA TODAS LAS INSTRUCCIONES ANTES DE USAR ESTE APARATO

ADVERTENCIA:

El fabricante no acepta la responsabilidad por los daños causados cuando el electrodoméstico no se utiliza de acuerdo con las instrucciones o para otros usos que no sean aquellos para los que fue fabricado. Esta aspiradora está diseñada solo para uso doméstico.

Para reducir el riesgo de incendio, descarga eléctrica o lesión:

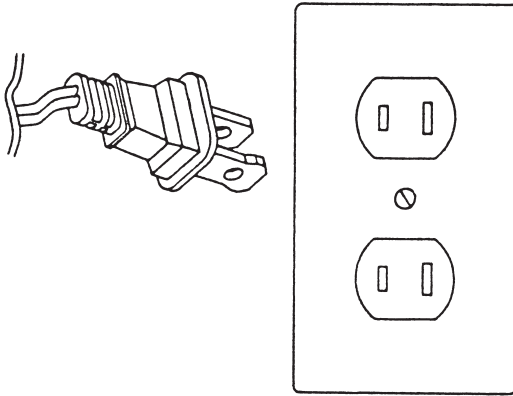
- No se aleje del aparato mientras esté conectado. Desenchúfelo del tomacorriente cuando no esté en uso y antes de realizar tareas de mantenimiento.
- ADVERTENCIA: PODRÍA PRODUCIRSE UNA DESCARGA ELÉCTRICA SI SE UTILIZA AL AIRE LIBRE O EN SUPERFICIES MOJADAS.
- No permita que se utilice como un juguete. Preste especial atención cuando es utilizado por niños o cerca de ellos.
- Utilícelo solamente de acuerdo con lo descrito en este manual. Utilice solamente los accesorios recomendados por el fabricante.
- No lo utilice si el cable o la clavija tienen daños o si el aparato no funciona como debería, se cayó, está dañado, lo dejaron a la intemperie o cayó al agua.
- No lo jale ni lo desplace tirando del cable, no utilice el cable como manija, no permita que se cierre ninguna puerta sobre el cable, ni jale el cable alrededor de bordes o esquinas pronunciadas. No pase el electrodoméstico encima del cable. Mantenga el cable alejado de superficies calientes.
- No jale del cable para desenchufar el aparato. Para desconectarlo, tome la clavija, no el cable.
- No manipule el enchufe ni el aparato con las manos mojadas.
- No coloque ningún objeto en las aberturas. No lo utilice si alguna abertura está obstruida; manténgalo sin polvo, pelusa, cabello y cualquier otra cosa que pueda reducir el flujo de aire.
- Mantenga el cabello, la ropa suelta, los dedos y todas las partes del cuerpo alejados de las aberturas y componentes móviles.
- No aspire nada que esté encendido o emita humo, como cigarrillos, fósforos o cenizas calientes.
- No lo utilice sin haber colocado antes el depósito de polvo y los filtros.
- Apague todos los controles antes de desenchufarlo.
- No lo utilice para recoger líquidos combustibles o inflamables como gasolina, ni lo utilice en áreas donde estos líquidos puedan estar presentes.
- No intente realizar el mantenimiento o la limpieza de la unidad cuando el aparato esté enchufado.
- No use la aspiradora para aspirar agua o materiales mojados o húmedos.
- Tenga especial cuidado al limpiar escaleras.

CONSERVE ESTAS INSTRUCCIONES.

INSTRUCCIONES DE POLARIZACIÓN PARA DOS ALAMBRES

Clavija polarizada de dos alambres

Para reducir el riesgo de una descarga eléctrica, el producto cuenta con una clavija polarizada para corriente alterna (una clavija que tiene una espiga más ancha que la otra). Esta clavija entra solamente de una forma en el tomacorriente. Esta es una función de seguridad. Si no puede introducir la clavija en el tomacorriente, intente invertir las espigas. Si no consigue que encaje, contacte a un electricista calificado para que reemplace el tomacorriente obsoleto. No anule el propósito de seguridad de la clavija polarizada.

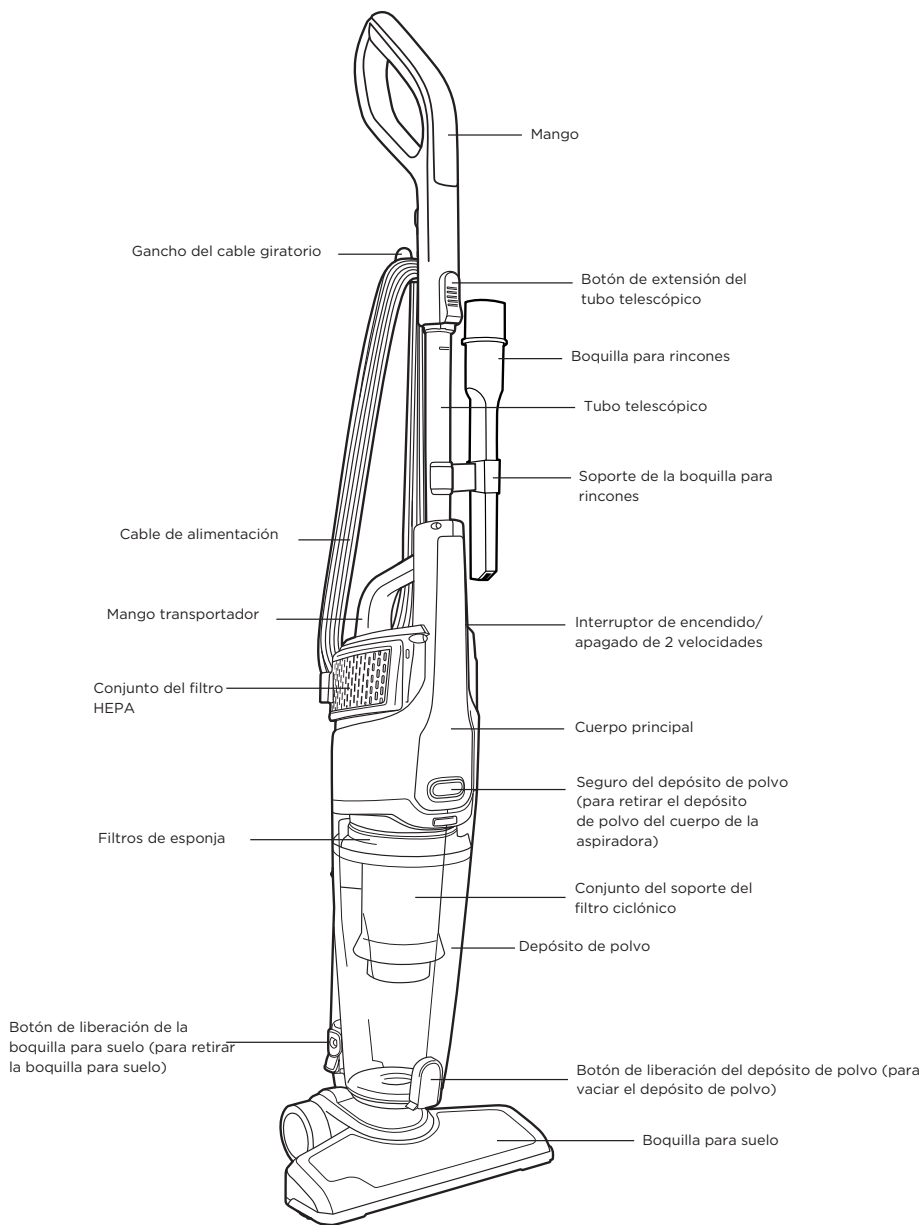


Advertencias de la Propuesta 65 del Estado de California:

ADVERTENCIA: Este producto contiene uno o más químicos de los cuales se tiene conocimiento en el estado de California que causan cáncer.

ADVERTENCIA: Este producto contiene uno o más químicos de los cuales se tiene conocimiento en el estado de California que causan defectos congénitos u otro daño reproductivo.

IDENTIFICACIÓN DE LAS PIEZAS



Filtros de repuesto

- Conjunto de filtro de esponja y filtro HEPA genuino de Pieza n.º RS60F

DESCRIPCIÓN DE LA ASPIRADORA

Gancho del cable giratorio

El gancho superior del cable gira para permitir un acceso rápido al cable de alimentación (Fig. 1).

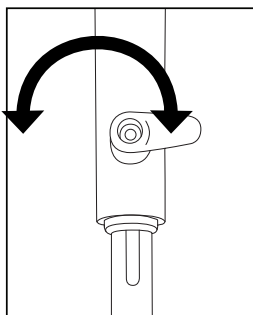


Fig. 1

Interruptor de encendido/apagado de 2 velocidades

Presione el interruptor a la posición de "Velocidad baja" indicada por "I". Presione el interruptor a la posición de "Velocidad alta" indicada por "II" cuando se requiere más potencia. Presione el interruptor a la posición de "Apagado" indicada por "O" cuando no está en uso (Fig. 2).

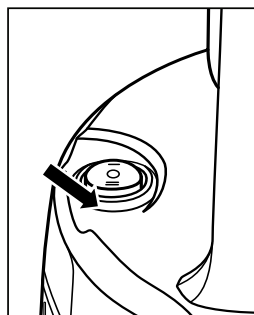


Fig. 2

Tubo telescópico

Mientras presiona el botón hacia delante, acorte o alargue el tubo telescópico a la longitud deseada (Fig. 3).

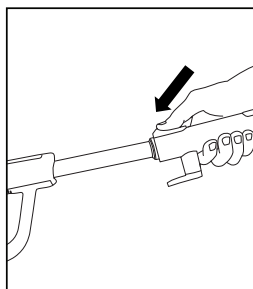


Fig. 3

Ganchos de almacenamiento del cable

Gire el gancho superior del cable a la posición vertical y enrolle el cable de alimentación alrededor de los ganchos de almacenamiento del cable cuando guarde la aspiradora (Fig. 4).

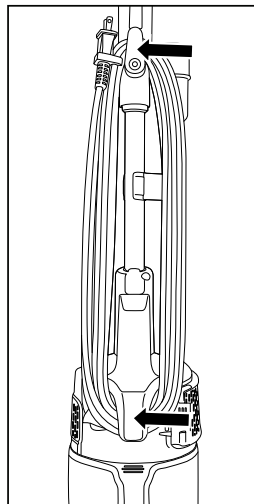


Fig. 4

DESCRIPCIÓN DE LA ASPIRADORA

Boquilla para suelo

Coloque la boquilla para suelo en el extremo del cuello del depósito de polvo para limpiar suelos desnudos (Fig. 1).

Boquilla para rincones

La boquilla para rincones se encuentra en el soporte para herramientas de limpieza. Esta herramienta se puede colocar en el extremo de la unidad principal en lugar de la boquilla para suelo para limpiar los zócalos y espacios pequeños (Fig. 2).

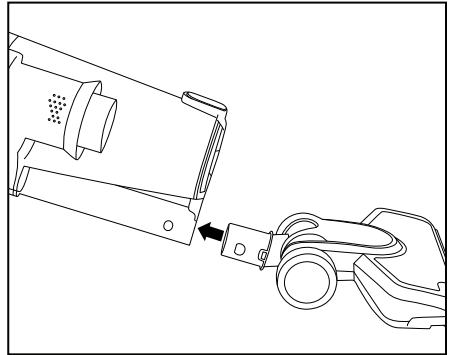


Fig. 1

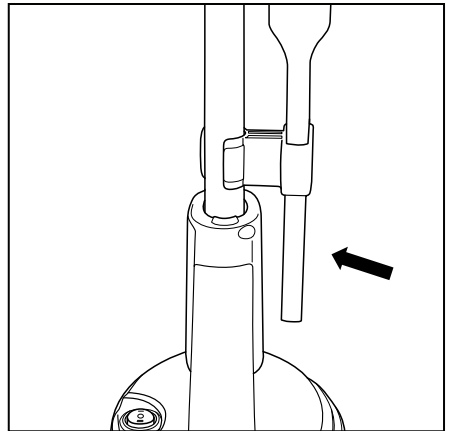


Fig. 2

ENSAMBLAJE DE LA ASPIRADORA

NOTA: Siempre desconecte la aspiradora antes de colocar o retirar accesorios.

1. Inserte el tubo telescópico en la parte superior de la unidad principal. Asegúrese de que el botón del tubo trabe en su lugar (Fig. 1).
2. Fije el soporte de herramientas en el tubo telescópico y luego inserte la boquilla para rincones en el soporte (Fig. 2).
3. Coloque la boquilla para suelo en el cuello del depósito de polvo asegurándose de que el botón en el cuello de la boquilla trabe en su lugar (Fig. 3).
4. Empuje el botón del tubo telescópico hacia delante para acortar o alargar el tubo a la longitud deseada (Fig. 4).

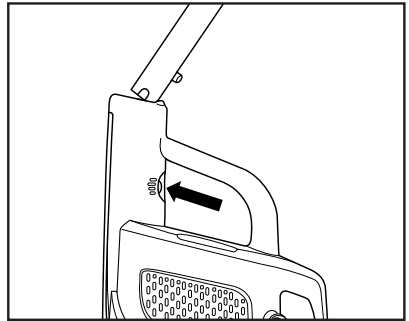


Fig. 1

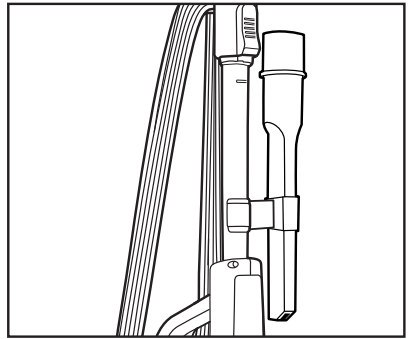


Fig. 2

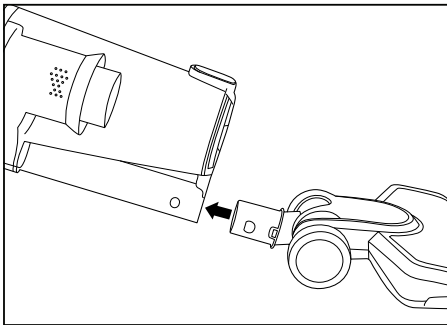


Fig. 3

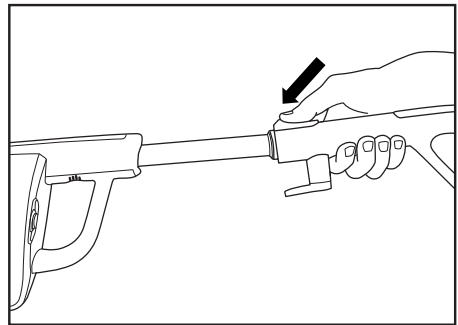


Fig. 4

FUNCIONAMIENTO DE LA ASPIRADORA

1. Gire el gancho superior para liberar el cable de alimentación de los ganchos de almacenamiento del cable (Fig. 1).
2. Extienda el tubo telescópico a la longitud deseada (Fig. 2).
3. Si aún no está instalada en la aspiradora, coloque la boquilla para suelo en el extremo del depósito de polvo para limpiar pisos desnudos o alfombras pequeñas (Fig. 3).
4. Inserte la clavija en un tomacorriente y mueva el interruptor de encendido/apagado que se encuentra en la parte superior de la unidad a la velocidad deseada (Fig. 4).
5. Cambie a la boquilla para rincones para limpiar zócalos, techos y espacios pequeños (Fig. 5).

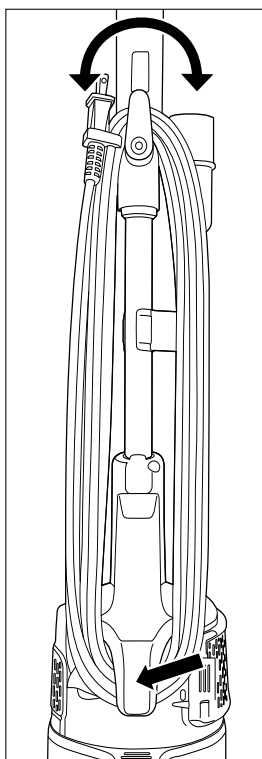


Fig. 1

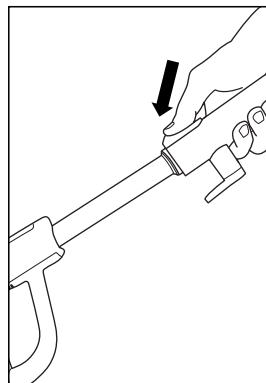


Fig. 2

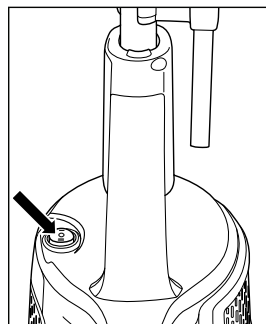


Fig. 4

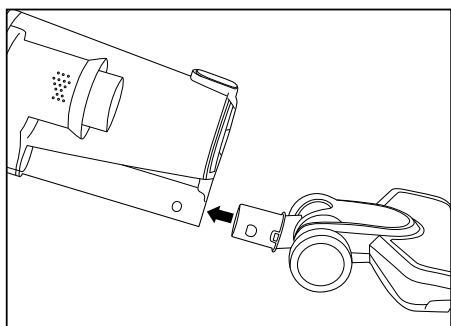


Fig. 3

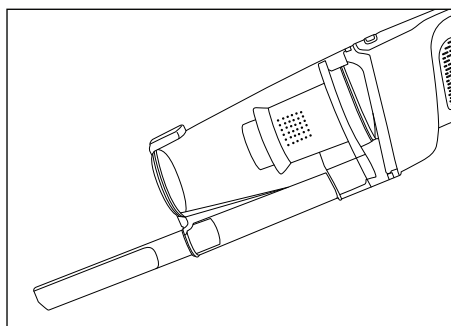


Fig. 5

VACIADO DEL DEPÓSITO DE POLVO

Advertencia: vacíe el depósito de polvo antes de que el contenido llegue a la parte inferior del conjunto del filtro ciclónico. Si el depósito de polvo se llena demasiado, la suciedad y los desechos pueden obstruir el filtro y causar pérdida **de succión**.

Advertencia: siempre desconecte la aspiradora del tomacorriente cuando retire el depósito de polvo.

1. Apague la aspiradora y desconecte el cable de alimentación del tomacorriente.
2. Mientras sostiene la aspiradora sobre un basurero, presione el botón de liberación en la parte inferior del depósito de polvo. La base del depósito de polvo caerá, liberando la suciedad (Fig. 1).
3. Cierre la parte inferior del depósito de polvo, asegurándose de que quede fijo en su lugar (Fig. 2). Continúe aspirando.

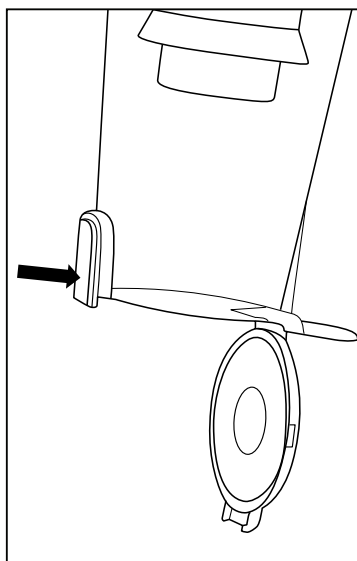


Fig. 1

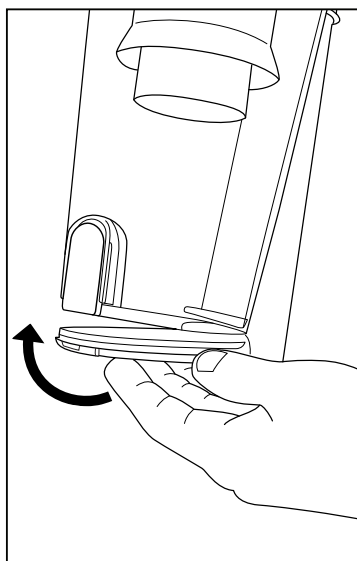


Fig. 2

LIMPIEZA DEL DEPÓSITO DE POLVO

1. Presione el seguro del depósito de polvo para retirar el depósito de polvo de la aspiradora (Fig. 1).
2. Retire la boquilla para suelo del depósito de polvo presionando el botón rojo en el cuello de la boquilla y jalando la boquilla para suelo del depósito de polvo (Fig. 2).
3. Retire el soporte del filtro ciclónico (Fig. 3).
4. Sacuda el resto de polvo y enjuague con agua. Asegúrese de que todas las piezas estén completamente secas antes de volver a ponerlas en la aspiradora.
5. Vuelva a colocar el soporte del filtro ciclónico.
6. Vuelva a colocar el depósito de polvo en la aspiradora (Fig. 4). Luego, vuelva a colocar la boquilla para suelo y continúe aspirando (Fig. 5).

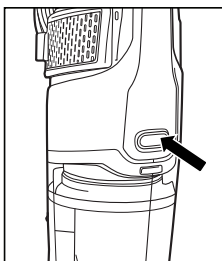


Fig. 1

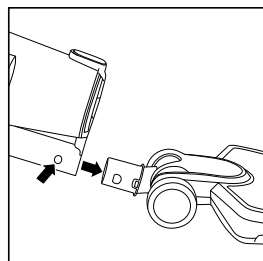


Fig. 2

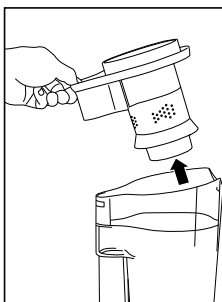


Fig. 3

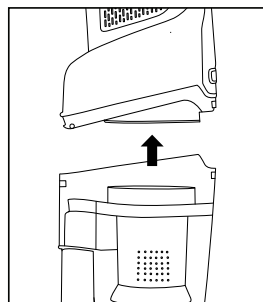


Fig. 4

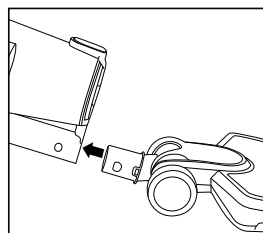


Fig. 5

REEMPLAZO DEL FILTRO HEPA

Advertencia: siempre desconecte la aspiradora del tomacorriente cuando retire los filtros.

1. Retire la cubierta del filtro empujando la lengüeta y girando la cubierta (Fig. 1).
2. Retire el filtro sujetándolo por los bordes y jalándolo directamente hacia fuera (Fig. 2).
3. Reemplácelo por un filtro nuevo (no lo lave y reutilice).
4. Vuelva a colocar la cubierta del filtro insertando las dos lengüetas primero y luego trabándola en su lugar con la lengüeta grande

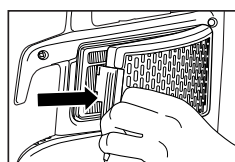


Fig. 1

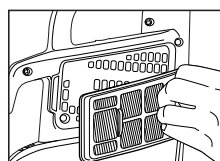


Fig. 2

LIMPIEZA DE LOS FILTROS DE ESPONJA

Filtro del cuerpo principal

1. Presione el seguro del depósito de polvo para retirar el depósito de polvo de la aspiradora (Fig. 1).
2. Retire el filtro de la esponja gris del marco ubicado en la base del cuerpo principal (Fig. 2).
3. Agite o golpetee el filtro para eliminar el exceso de polvo o reemplácelo con un filtro nuevo (no lo lave ni reutilice).
4. Coloque el depósito de polvo en la aspiradora (Fig. 4).

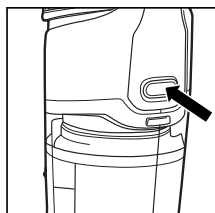


Fig. 1

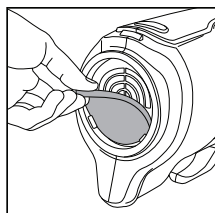


Fig. 2

Filtro del depósito de polvo de flujo alto

1. Presione el seguro del depósito de polvo para retirar el depósito de polvo de la aspiradora (Fig. 1).
2. Retire el filtro de flujo alto sujetando la parte superior del filtro y jalando directamente hacia arriba (Fig. 3).
3. Agite o golpetee el filtro para eliminar el exceso de polvo o reemplácelo con un filtro nuevo (no lo lave ni reutilice).
4. Coloque el depósito de polvo en la aspiradora (Fig. 4).

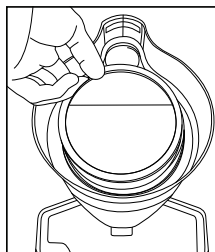


Fig. 3

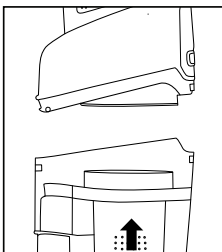


Fig. 4

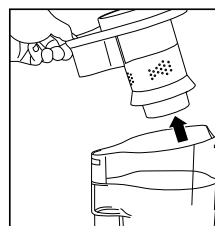


Fig. 5

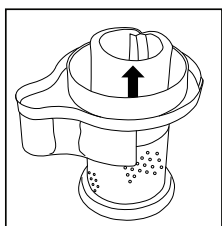


Fig. 6

Prefiltro

1. Presione el seguro del depósito de polvo para retirar el depósito de polvo de la aspiradora (Fig. 1).
2. Retire el soporte del filtro ciclónico (Fig. 5).
3. Retire el filtro de flujo alto sujetando la parte superior del filtro y jalando directamente hacia arriba (Fig. 3).
4. Retire el prefiltro negro del interior del soporte del filtro ciclónico (Fig. 6).
5. Agite o golpetee el filtro para eliminar el exceso de polvo o reemplácelo con un filtro nuevo (no lo lave ni reutilice).
6. Reemplace el prefiltro y el filtro de alto flujo en el portafiltros ciclónico.
7. Coloque el depósito de polvo en la aspiradora (Fig. 4).

Advertencia: no lave los filtros en la máquina lavaplatos ni en la lavadora de ropa.

RESOLUCIÓN DE PROBLEMAS

Problema	Punto de revisión	Posible solución
Hay poca potencia de succión.	<ul style="list-style-type: none">• Depósito de polvo• Boquilla para suelo/ boquilla para rincones• Filtros	<ul style="list-style-type: none">• Si el depósito de polvo está lleno, vacíelo.• Si hay una obstrucción, retírela.• Limpie o reemplace los filtros.
La aspiradora no funciona.	<ul style="list-style-type: none">• Cable de alimentación	Inserte la clavija firmemente en un tomacorriente.
Pérdida repentina de alimentación.	<ul style="list-style-type: none">• Conmutador térmico	Apague la aspiradora y desconéctela del tomacorriente. Espere 60 minutos a que la aspiradora se enfríe antes de volver a encenderla. Revise si hay obstrucciones. Vacíe el depósito de polvo.
Polvo y suciedad salen por el orificio de ventilación.	<ul style="list-style-type: none">• Filtros	Asegúrese de que los filtros estén limpios, secos y bien instalados.
Todas las demás tareas de servicio deben realizarse en el centro de servicio para aspiradoras de.		

PARA UN MEJOR FUNCIONAMIENTO

- Mantenga la máquina y todos los accesorios limpios y en buenas condiciones de funcionamiento.
- Reemplace el filtro HEPA y lave frecuentemente los filtros de esponja si aspira polvos finos como harina o polvo de tablaroca.
- Siempre use filtros y piezas genuinos, ya que el uso de otros productos puede resultar en un rendimiento deficiente de la limpieza o el filtrado. Los productos de filtrado de las aspiradoras de están diseñados para un rendimiento máximo.
- Guarde la máquina con cuidado en un lugar seco.
- Para lograr un rendimiento óptimo de limpieza y seguridad, siga el manual del usuario.

Qué está cubierto:

Esta garantía cubre cualquier defecto de materiales y manufactura en su nueva aspiradora de.

Cuánto dura la cobertura:

La cobertura de la garantía de la aspiradora de dura dos años. Los modelos para el hogar que se utilizan a nivel comercial solo cuentan con garantía por 90 días.

Qué no está cubierto:

- Daños a la aspiradora que pueden ocurrir por negligencia, abuso, alteraciones, accidentes, mal uso o un mantenimiento inadecuado.
- Artículos de reemplazo normal: filtros desechables.

Qué hará:

Esta garantía proporciona, sin costo alguno, toda la mano de obra y repuestos para mantener esta aspiradora en condiciones adecuadas de funcionamiento durante el período de la garantía.

Cómo obtener servicio:

El servicio de garantía solamente se puede obtener al llevar la aspiradora a un Centro de servicio de aspiradoras de. Para que se preste el servicio, deberá presentar el comprobante de compra y el número de serie del producto.

ESTA GARANTÍA ES EXCLUSIVA Y EN LUGAR DE CUALQUIER OTRA GARANTÍA, ESCRITA, ORAL, EXPRESA O IMPLÍCITA (INCLUSO CUALQUIER GARANTÍA DE COMERCIALIZACIÓN O ADECUACIÓN PARA UN PROPÓSITO PARTICULAR). ESTA GARANTÍA RENUNCIA A CUALQUIER RESPONSABILIDAD POR DAÑOS INCIDENTALES O EMERGENTES.

Cómo se aplica la ley estatal:

Esta garantía le otorga derechos legales específicos y usted también podría tener otros derechos que pueden variar de un estado a otro.

Registre su garantía en línea en www.SimplicityVac.com

INFORMACIÓN DE LA GARANTÍA PARA EL PROPIETARIO

Guarde esto para su registro...

El modelo y los números de serie de este producto se podrán encontrar en la parte posterior de la unidad. Registre su aspiradora de en línea en www.SimplicityVac.com tan pronto como sea posible para su protección. Escriba también el modelo y los números de serie de su unidad en los espacios que se proporcionan a continuación y guarde este folleto como un registro permanente de su compra.

Número de modelo _____

Número de serie _____

Fecha de compra _____

Comprado en:

Nombre de la tienda _____

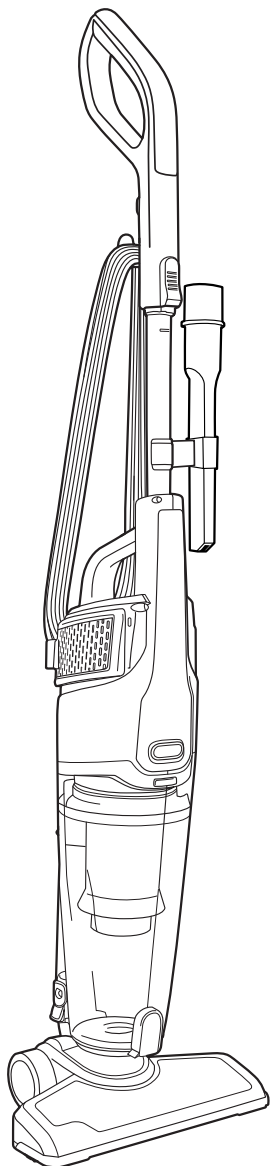
Dirección _____

Ciudad, Estado, Código postal _____

Teléfono _____

Simplicity[®]

VACUUMS



Spiffy[™]

Owner's Manual

S60

Instructions de polarisation	3
Identification des pièces	4
Description de l'Aspirateur.....	5-6
Montage de l'aspirateur.....	7
Faire fonctionner l'aspirateur.....	8
Vider le réservoir de poussière	9
Nettoyer le réservoir de poussière	10
Remplacement du filtre HEPA.....	10
Nettoyer les filtres en mousse	11
Dépannage.....	12
Garantie	13

REGISTRE DU CLIENT

Vous trouverez les numéros de modèle et de série de ce produit au dos de l'appareil. Pour protéger votre aspirateur, il est conseillé d'enregistrer votre aspirateur h en ligne à l'adresse www.Simplicityvac.com dès que possible. Il est recommandé de reporter les numéros de modèle et de série de votre aspirateur dans les espaces prévus ci-dessous et de conserver ce manuel comme preuve permanente de votre achat.

Numéro de modèle _____

Numéro de série _____

Date d'achat _____

Votre aspirateur est un produit constitué de matériaux de première qualité et d'une confection supérieure. Nous vous conseillons vivement de lire ces consignes attentivement avant d'utiliser cet aspirateur, afin de pouvoir profiter pleinement de toutes ses caractéristiques et d'en tirer toute la satisfaction qu'il peut vous offrir.

CONSERVEZ CES INSTRUCTIONS

Avant de brancher votre chargeur pour aspirateur, assurez-vous que la tension indiquée sur la plaque signalétique située à l'arrière de votre chargeur est la même que celle de votre alimentation locale.

CONSIGNES DE SÉCURITÉ IMPORTANTES

Lors de l'utilisation d'un appareil électrique, il est important de prendre des mesures de précaution de base, dont les suivantes :

LIRE TOUTES LES INSTRUCTIONS AVANT D'UTILISER CET APPAREIL

AVERTISSEMENT :

Le fabricant ne pourra être tenu responsable en cas de dommage causé par une utilisation de cet appareil non conforme aux instructions, ou en cas de dommage dû à une utilisation autre que celle pour laquelle il a été conçu.

Esta aspiradora está diseñada solo para uso doméstico.

Afin de réduire le risque d'incendie, de décharge électrique ou de blessure :

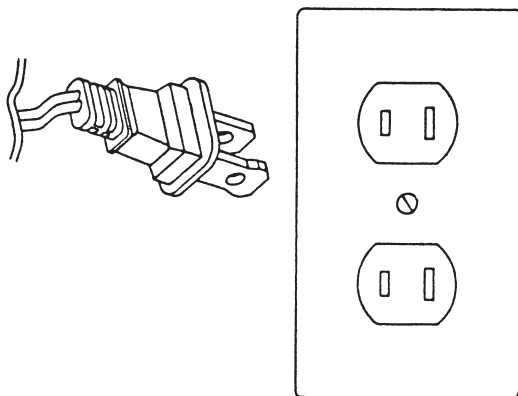
- Ne laissez pas l'appareil branché sans surveillance. Débranchez-le lorsque vous ne l'utilisez pas et avant de procéder à son entretien.
- **AVERTISSEMENT : IL EXISTE UN RISQUE D'ÉLECTROCUTION EN CAS D'UTILISATION EN EXTÉRIEUR OU SUR DES SURFACES HUMIDES.**
- Ne laissez pas vos enfants jouer avec l'appareil. Restez vigilant lors de son utilisation par ou à proximité des enfants.
- Utilisez cet appareil uniquement selon les instructions décrites dans ce manuel. Utilisez uniquement les pièces recommandées par le fabricant.
- Ne pas utiliser cet appareil avec un cordon endommagé ou bien si cet appareil ne fonctionne pas comme prévu, s'il a subi une chute, a été endommagé, exposé à une intempérie, ou s'il est tombé à l'eau.
- Ne tirez ni ne soulevez l'appareil par le cordon, n'utilisez pas le cordon comme poignée, ne fermez pas une porte sur le cordon ni ne serrez le cordon contre des bords tranchants ou des coins. Ne faites pas rouler l'appareil sur le cordon. Maintenez le cordon à distance des surfaces chaudes.
- Ne débranchez pas l'appareil en tirant sur le cordon. Pour le débrancher, tirez sur la fiche, pas sur le câble.
- Ne manipulez pas la fiche ou l'appareil avec les mains mouillées.
- N'insérez pas d'objets dans les ouvertures. N'utilisez pas l'appareil si une ouverture est obstruée; évitez l'accumulation de poussières, de peluches, de cheveux ou de tout autre élément pouvant réduire le flux d'air.
- Tenez les cheveux, les habits amples, les doigts et toute autre partie du corps à distance des ouvertures et des pièces mobiles.
- N'aspirez pas d'élément incandescent ou émettant de la fumée, tel que des cigarettes, des allumettes ou des cendres chaudes.
- Ne pas utiliser sans le réservoir à poussière et les filtres au bon emplacement.
- Éteignez toutes les commandes avant de débrancher.
- N'utilisez pas l'appareil ni pour aspirer des liquides inflammables ou combustibles tels que de l'essence, ni dans des endroits pouvant en contenir.
- N'essayez pas de nettoyer ou de réparer l'unité lorsque celle-ci est branchée.
- N'utilisez pas l'aspirateur pour puiser de l'eau ou ramasser tout autre matériau humide.
- Prenez des précautions supplémentaires au moment de nettoyer sur des escaliers.

CONSERVEZ CES INSTRUCTIONS.

INSTRUCTIONS DE POLARISATION POUR CÂBLE POLARISÉ À DEUX CONDUCTEURS

Câble polarisé à deux conducteurs détrompés

Afin de réduire le risque de choc électrique, ce produit est équipé d'une fiche à courant alternatif polarisé (une fiche ayant une broche plus large que l'autre). Cette fiche entre dans la prise uniquement dans un sens. Il s'agit d'un dispositif de sécurité. Si vous ne parvenez pas à brancher totalement la fiche dans la prise, essayez en inversant le sens de la fiche. Si vous ne parvenez toujours pas à brancher correctement la fiche, contactez un électricien qualifié afin de remplacer la prise obsolète. Ne tentez pas de neutraliser le dispositif de sécurité de la fiche détrompée.

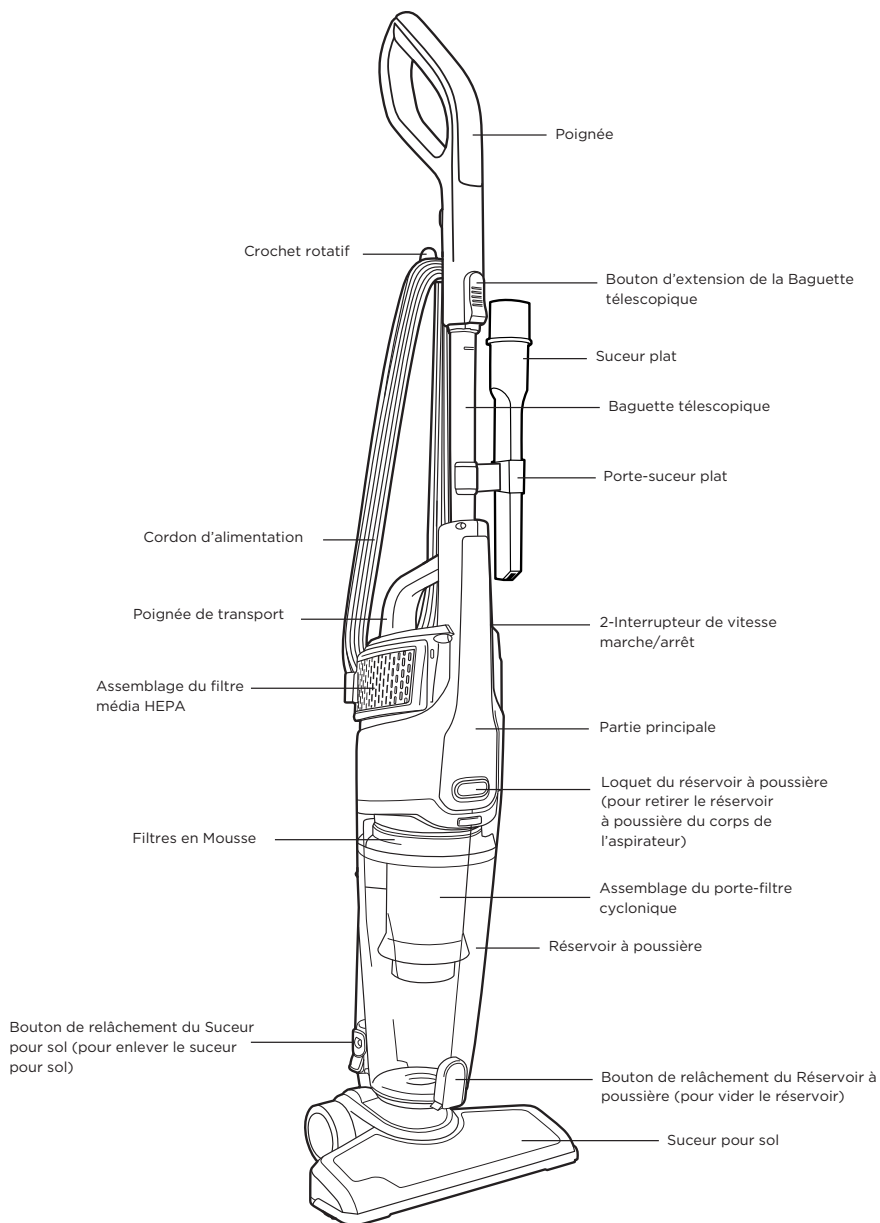


Avertissements relatifs à la proposition 65 de l'État de Californie :

AVERTISSEMENT : Ce produit contient un ou plusieurs produits chimiques reconnus par l'État de Californie comme étant cancérigènes.

AVERTISSEMENT : Ce produit contient un ou plusieurs produits chimiques reconnus par l'État de Californie comme étant susceptibles de provoquer des malformations congénitales ou d'autres problèmes reproductifs.

IDENTIFICATION DES PIÈCES



FILTRES DE REMPLACEMENT

- Ensemble de filtres média HEPA et filtres à mousse

Pièce n° RS60F

DESCRIPTION DE L'ASPIRATEUR

Crochet rotatif

- Le crochet supérieur pivote afin d'offrir un accès rapide au cordon d'alimentation (Fig. 1).

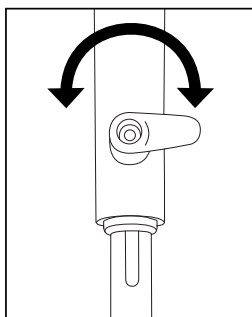


Fig. 1

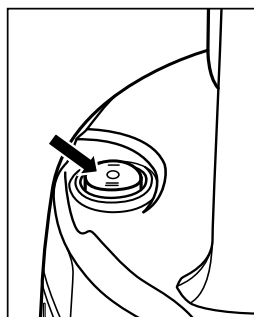


Fig. 2

2-Interrupteur de vitesse marche/arrêt

Mettez l'interrupteur en position « Faible Vitesse » indiqué par la lettre « I ». Mettez l'interrupteur en position « Haute Vitesse » indiqué par les lettres « II » pour plus de puissance. Mettez l'interrupteur en position « OFF » indiqué par la lettre « O » lorsque vous ne l'utilisez pas (Fig. 2).

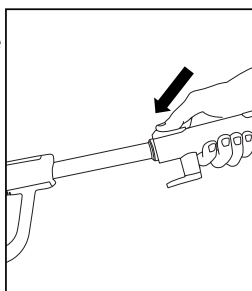


Fig. 3

Baguette télescopique

En poussant le bouton vers l'avant, raccourcissez ou rallongez la baguette télescopique à la longueur désirée (Fig. 3).

Crochets de rangement du cordon

Tournez le crochet du câble supérieur en position verticale et enroulez le câble d'alimentation autour des crochets de rangement lorsque vous rangez l'aspirateur (Fig. 4).

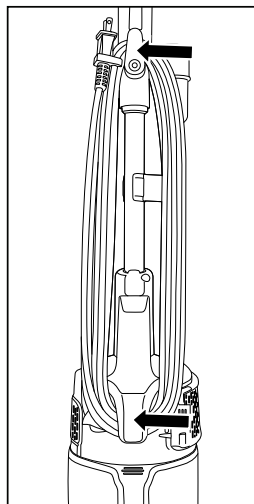


Fig. 4

DESCRIPTION DE L'ASPIRATEUR

Suceur pour sol

Fixez le suceur pour sol à l'extrémité du col du réservoir à poussière pour nettoyer des sols nus (Fig. 1).

Suceur plat

Le porte-outils de nettoyage contient le suceur plat. Cet outil peut être fixé à l'extrémité de l'unité principale à la place du suceur pour sol pour le nettoyage le long des plinthes et des petits espaces (Fig. 2).

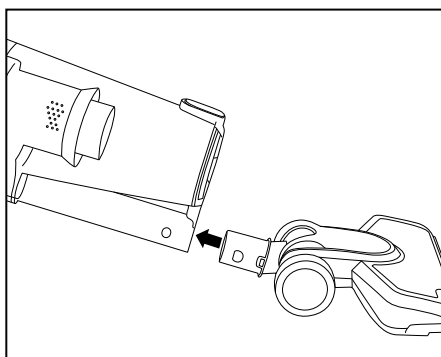


Fig. 1

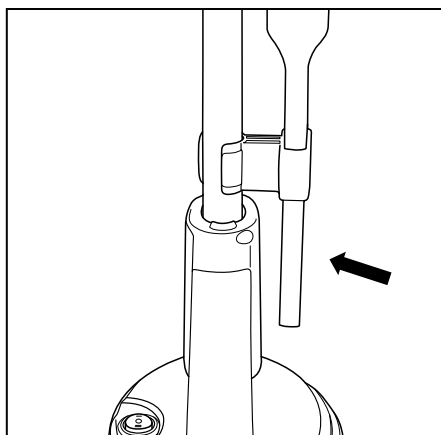


Fig. 2

MONTAGE DE L'ASPIRATEUR

REMARQUE : Débranchez toujours l'aspirateur avant d'assembler ou de retirer les accessoires.

1. Insérez la baguette télescopique dans le haut de l'unité principale. Assurez-vous que le bouton de la baguette se verrouille (Fig. 1).
2. Fixez le chariot à outils à la baguette télescopique, puis insérez le suceur plat dans le chariot (Fig. 2).
3. Fixez le suceur pour sol sur le col du réservoir à poussière en vous assurant que le bouton sur le col du suceur se verrouille en position (Fig. 3).
4. Poussez le bouton de la baguette télescopique vers l'avant pour raccourcir ou rallonger la baguette télescopique à la longueur souhaitée (Fig. 4).

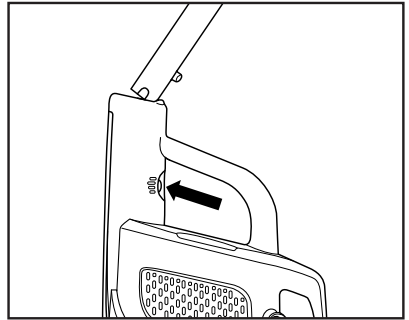


Fig. 1

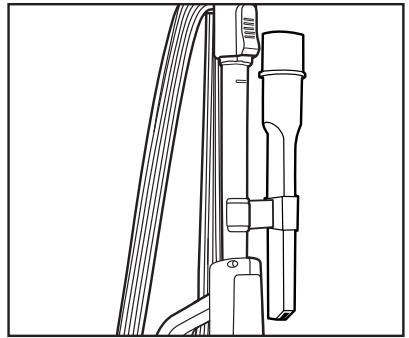


Fig. 2

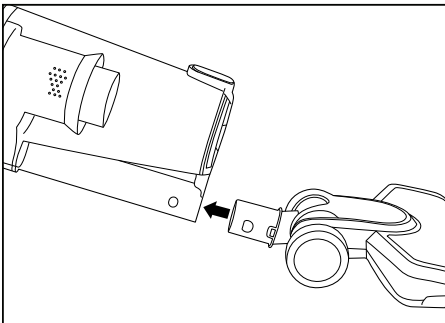


Fig. 3

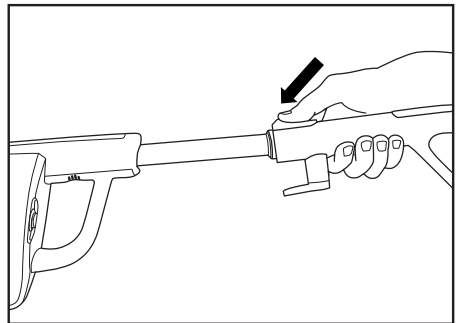


Fig. 4

FAIRE FONCTIONNER L'ASPIRATEUR

1. Tournez le crochet du cordon supérieur pour libérer le cordon d'alimentation des crochets de rangement du cordon (Fig. 1).
2. Déployez la baguette télescopique à la longueur souhaitée (Fig. 2).
3. Si ce n'est pas déjà fait, fixez le suceur pour sol à l'extrémité du réservoir à poussière pour nettoyer les planchers nus ou les carpettes (Fig. 3).
4. Insérez la fiche d'alimentation dans une prise murale et appuyez sur l'interrupteur marche/arrêt situé sur le dessus de l'unité principale jusqu'à la vitesse souhaitée (Fig. 4).
5. Remplacer la suceur pour sol avec le suceur plat pour nettoyer les plinthes, les plafonds et les petits espaces (Fig. 5).

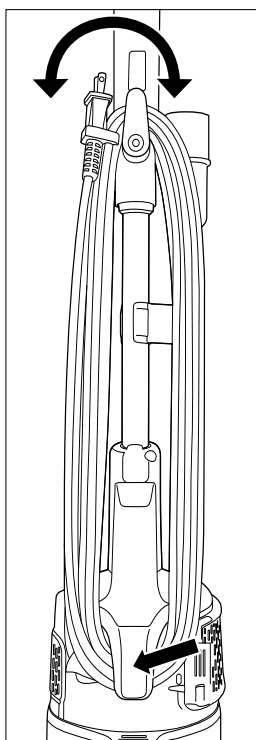


Fig. 1

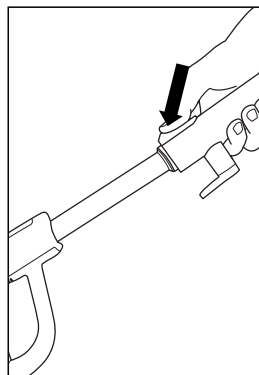


Fig. 2

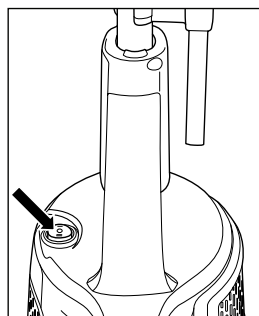


Fig. 4

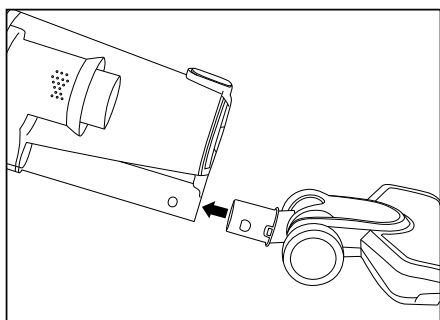


Fig. 3

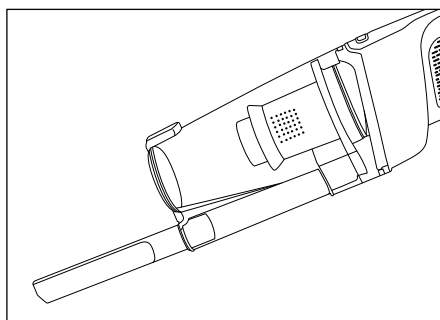


Fig. 5

VIDER LE RÉSERVOIR DE POUSSIÈRE

Avertissement : Videz le réservoir à poussière avant que le contenu n'atteigne le fond du filtre cyclonique. Le fait de trop remplir le réservoir à poussière peut entraîner des saletés et des débris qui obstruent le filtre et provoquent une perte d'aspiration.

Avertissement : Débranchez l'aspirateur de la prise avant de retirer le réservoir à poussière.

1. Mettez l'aspirateur hors tension et débranchez le cordon d'alimentation de la prise murale.
2. Tout en maintenant l'aspirateur au-dessus d'une poubelle, appuyez sur le bouton de déverrouillage situé au bas du réservoir à poussière. La base du réservoir tombera, libérant ainsi la saleté (Fig. 1).
3. Refermez le fond du réservoir à poussière en vous assurant qu'il se verrouille en place (Fig. 2). Reprenez l'utilisation de l'aspirateur.

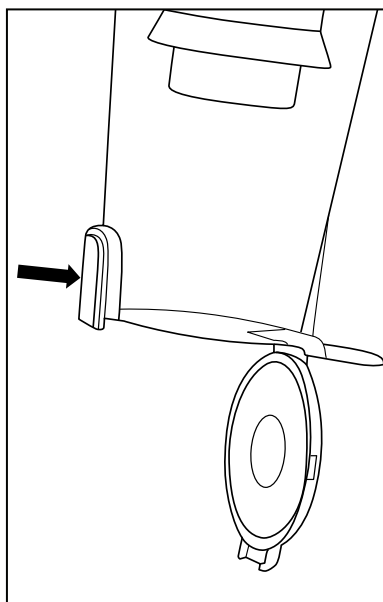


Fig. 1

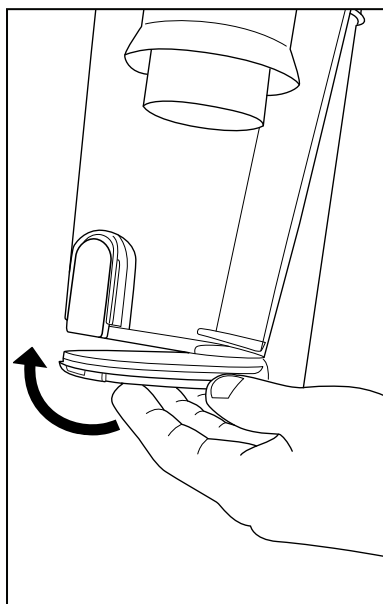


Fig. 2

NETTOYER LE RÉSERVOIR DE POUSSIÈRE

1. Poussez sur le loquet du réservoir à poussière pour retirer le réservoir de l'aspirateur (Fig. 1).

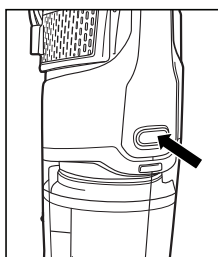


Fig. 1

2. Retirez le suceur pour sol du réservoir à poussière en appuyant sur le bouton rouge en haut du suceur pour sol et en tirant le suceur pour sol hors de la coupelle à poussière (Fig. 2).

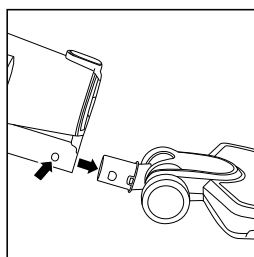


Fig. 2

3. Retirez le porte-filtre cyclonique (Fig. 3).

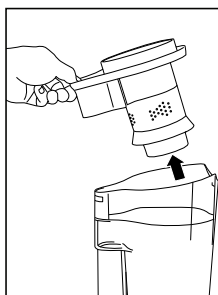


Fig. 3

4. Secouez la poussière restante et rincez à l'eau. Assurez-vous que toutes les pièces sont complètement sèches avant de les replacer dans l'aspirateur.

5. Remplacez le porte-filtre cyclonique.

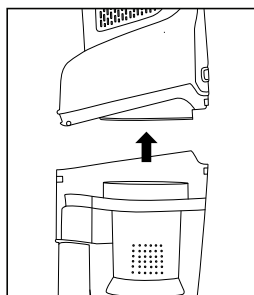


Fig. 4

6. Remplacez le réservoir à poussière dans l'aspirateur (Fig. 4). Ensuite, remplacez le suceur pour sol et recommencez l'aspiration (Fig. 5).

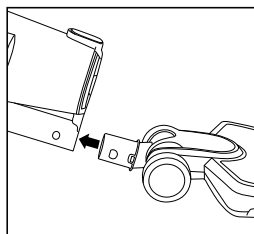


Fig. 5

REPLACEMENT DU FILTRE HEPA

Avertissement : Débranchez l'aspirateur de la prise avant de retirer les filtres.

1. Retirez le couvercle du filtre en appuyant sur la languette et en faisant pivoter le couvercle (Fig. 1).

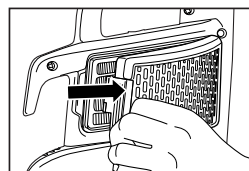


Fig. 1

2. Retirez le filtre en saisissant les poignées du filtre et en tirant le filtre hors de la machine (Fig. 2).

3. Remplacez par un nouveau filtre (ne lavez et ne réutilisez pas).

4. Remplacez le couvercle du filtre en insérant les deux languettes en premier, puis stabilisez le couvercle en place avec la grande languette.

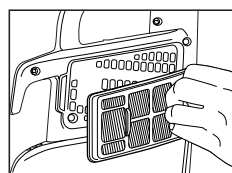


Fig. 2

NETTOYER LES FILTRES EN MOUSSE

Filtere pré-moteur

1. Poussez sur le loquet du réservoir à poussière pour retirer le réservoir de l'aspirateur (Fig. 1).
2. Retirez le filtre en mousse gris du cadre situé à la base du corps principal (Fig. 2).
3. Secouer ou tapoter le filtre pour enlever l'excès de poussière ou le remplacer par un nouveau filtre (ne pas laver ou réutiliser).
4. Remplacez le réservoir à poussière dans l'aspirateur (Fig. 4).

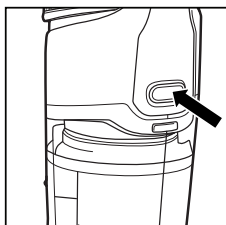


Fig. 1

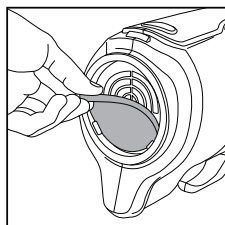


Fig. 2

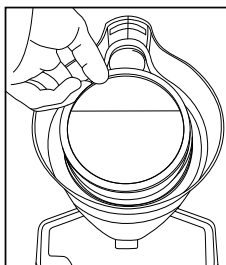


Fig. 3

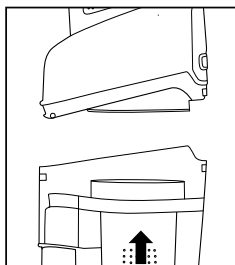


Fig. 4

Filtere anti-poussière à haut débit

1. Poussez sur le loquet du réservoir à poussière pour retirer le réservoir de l'aspirateur (Fig. 1).
2. Retirez le filtre blanc à débit élevé en saisissant le haut du filtre et en le tirant vers le haut (Fig. 3).
3. Secouer ou tapoter le filtre pour enlever l'excès de poussière ou le remplacer par un nouveau filtre (ne pas laver ou réutiliser).
4. Remplacez le réservoir à poussière dans l'aspirateur (Fig. 4).

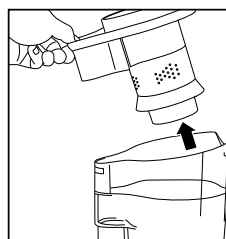


Fig. 5

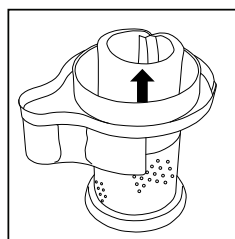


Fig. 6

Pré-filtre

1. Poussez sur le loquet du réservoir à poussière pour retirer le réservoir de l'aspirateur (Fig. 1).
2. Retirez le porte-filtre cyclonique (Fig. 5).
3. Retirez le filtre blanc à débit élevé en saisissant le haut du filtre et en le tirant vers le haut (Fig. 3).
4. Retirez le pré-filtre noir de l'intérieur du porte-filtre cyclonique (Fig. 6).
5. Secouer ou tapoter le filtre pour enlever l'excès de poussière ou le remplacer par un nouveau filtre (ne pas laver ou réutiliser).
6. Remplacer le pré-filtre et le filtre High Flow dans le porte-filtre cyclonique.
7. Remplacez le réservoir à poussière dans l'aspirateur (Fig. 4).

Avertissement : Ne placez pas de filtres dans le lave-vaisselle ou le lave-linge.

DÉPANNAGE

Problème	Point de vérification	Solution possible
La puissance d'aspiration est faible.	<ul style="list-style-type: none">• Réservoir à poussière• Suceur pour sol/Suceur plat• Filtres	<ul style="list-style-type: none">• Si le réservoir à poussière est plein, videz-le.• En cas d'obstruction, enlevez l'objet qui en est la cause.• Nettoyez ou remplacez les filtres.
L'aspirateur ne fonctionne pas.	<ul style="list-style-type: none">• Câble d'alimentation	Insérez la fiche d'alimentation fermement dans une prise électrique.
Perte de puissance soudaine.	<ul style="list-style-type: none">• Réinitialisation thermique	Éteignez l'aspirateur et débranchez-le de la prise électrique. Laissez l'aspirateur refroidir pendant 60 minutes avant de l'allumer de nouveau. Assurez-vous qu'il n'y a pas d'obstruction. Videz le réservoir à poussière.
La poussière et les débris sont aspirés par le conduit d'évacuation.	<ul style="list-style-type: none">• Filtres	Assurez-vous que tous les filtres soient propres, secs et installés correctement.
Tous les autres services doivent être effectués dans un centre de service Vacuums.		

Pour une meilleure performance

- Gardez la machine et tous les accessoires propres et en bon état de fonctionnement.
- Remplacez le filtre à média HEPA et nettoyez fréquemment les filtres à mousse si vous aspirez des poudres fines, telles que de la farine ou du plâtre.
- Utilisez toujours des filtres et pièces certifiés, car l'utilisation d'autres produits peut entraîner un mauvais nettoyage ou une mauvaise qualité de filtration. Les produits de filtration pour Aspirateur sont conçus pour une performance maximale.
- Rangez soigneusement votre appareil dans un endroit sec.
- Pour une meilleure performance de nettoyage et plus de sécurité, suivez les instructions de votre manuel.

Ce que couvre cette garantie :

La présente garantie couvre tous défauts de matériau et de fabrication de votre nouvel aspirateur.

Durée de la garantie :

La couverture de la garantie pour l'aspirateur dure deux ans. Les modèles domestiques utilisés commercialement sont uniquement garantis pendant 90 jours.

Ce que cette garantie ne couvre pas :

- Les dommages causés à l'aspirateur en raison de négligence, d'abus, d'altérations, d'accident, d'utilisation non-conforme ou d'entretien inadapté.
- Les articles de rechange normaux : filtres jetables.

Ce que fera :

Cette garantie fournit, sans que vous ayez à encourir de frais, toute la main d'œuvre et toutes les pièces nécessaires pour conserver cet aspirateur en bon état de fonctionnement pendant la période de garantie.

Comment obtenir un service d'entretien et réparation :

Les services de garantie peuvent uniquement être obtenus en présentant l'aspirateur auprès d'un centre de service de l'aspirateur. Avant qu'il ne soit procédé au service, vous devrez présenter une preuve d'achat et le numéro de série du produit en question.

LA PRÉSENTE GARANTIE EST EXCLUSIVE ET REMPLACE TOUTE AUTRE GARANTIE ÉCRITE, ORALE, EXPLICITE OU IMPLICITE (NOTAMMENT TOUTE GARANTIE DE QUALITÉ MARCHANDE OU DE CONFORMITÉ À UN USAGE PARTICULIER). LA PRÉSENTE GARANTIE EXCLUT TOUTE RESPONSABILITÉ POUR DOMMAGES INDIRECTS OU CONSÉCUTIFS.

Comment s'applique la loi d'État :

La présente garantie vous donne des droits particuliers, et il est possible que vous jouissiez aussi d'autres droits variables d'un État à l'autre.

Enregistrez votre garantie en ligne sur www.SimplicityVac.com

COORDONNÉES DU TITULAIRE DE LA GARANTIE

conservez ceci pour vos archives...

Vous trouverez les numéros de modèle et de série de ce produit au dos de l'appareil. Pour protéger votre aspirateur, enregistrez-le en ligne sur www.simplicityvac.com dès que possible. Il est recommandé de reporter les numéros de modèle et de série de votre aspirateur dans les espaces prévus ci-dessous et de conserver ce manuel comme preuve permanente de votre achat.

Numéro de modèle _____

Numéro de série _____

Date d'achat _____

Acheté auprès de :

Nom du magasin _____

Adresse _____

Ville, État, code postal _____

Téléphone _____

Simplicity[®]

SIMPLICITYVAC.COM