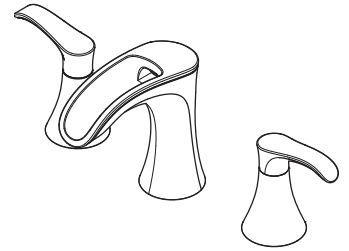


Widespread Lavatory Faucet

- LF-049-BRKK Finish(KK)
- LF-049-BRYY Finish(YY)



Specifications

Features

- 1.2 GPM Flow Rate
- All Metal Construction
- 3-Hole Installation
- Mounting Hardware Included
- Quick Install Tool Included
- Pfast Connect
- PVD Finish
- Waterfall Faucet
- TiteSeal™ Deckplate
- Push and Seal™ Pop-Up
- Pforever Seal Ceramic Disc Valves

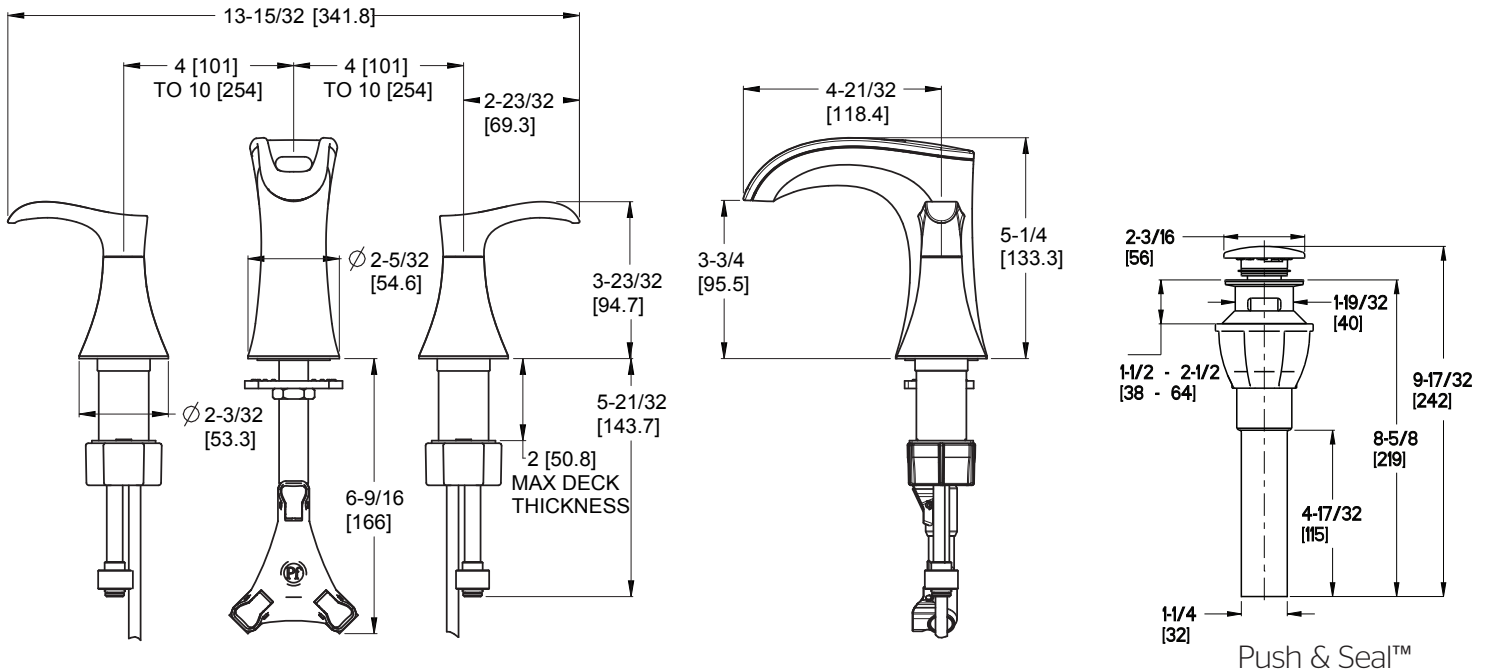
Code Compliance

Pfister products are designed and manufactured in compliance with the following standards and codes:

- IAPMO Certified
- CSA B125 Certified
- ASME A112.18.1
- NSF 61/9 Annex G (Low lead)
- EPA WaterSense Certification 1.2 gpm, 4.5 L/Min
- ADA Compliant-ANSI A117.1 (Lever handles only)



Dimensions



Ø1-1/4 Min to Ø1-1/2 Max. Deck Hole Openings