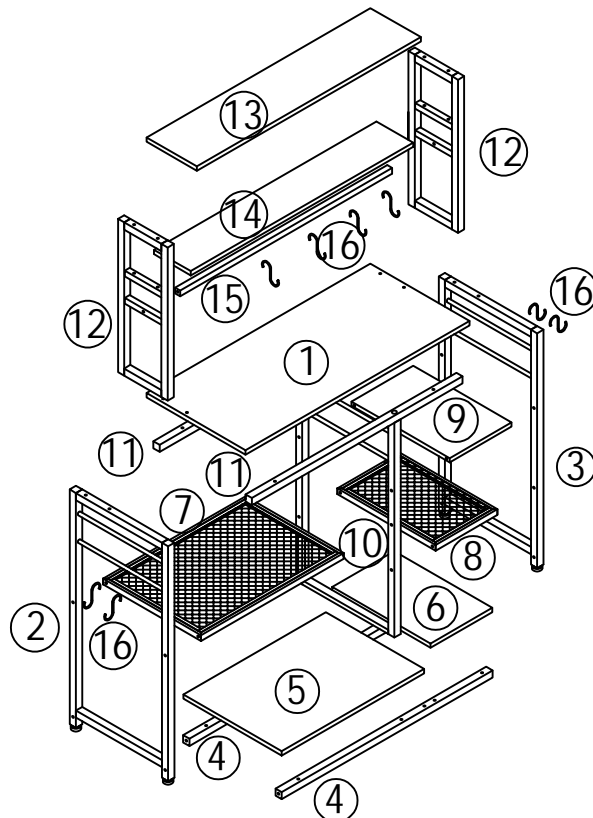
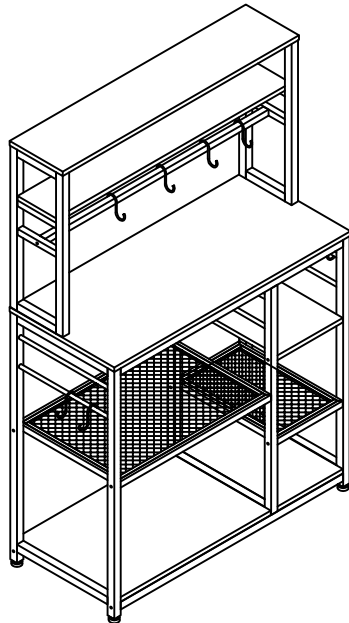
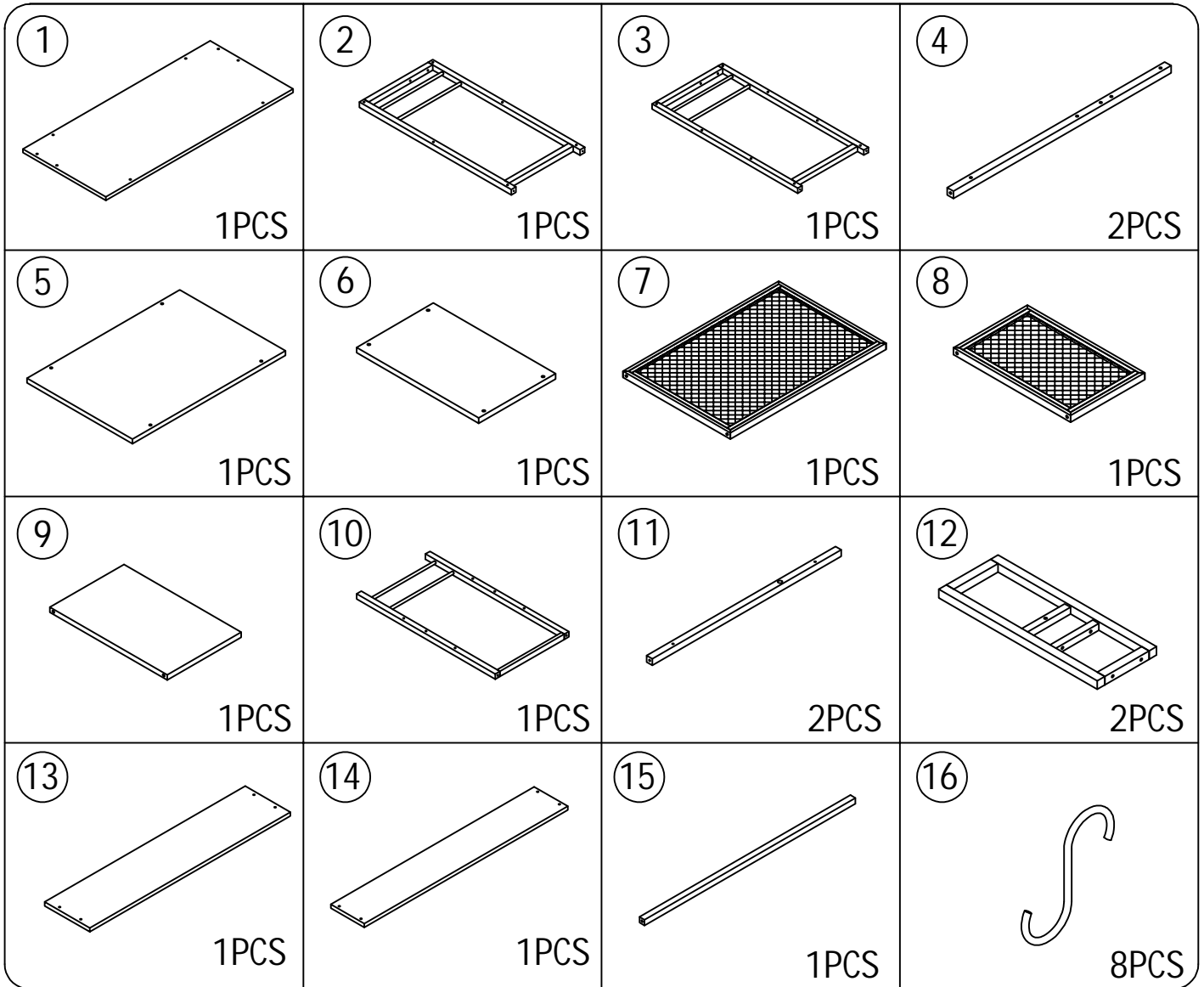


Installation Instructions

Notes: Don't tighten screws completely at first, just in case parts were assembled wrongly and need disassemble. Tighten screws at last when all parts are put together.



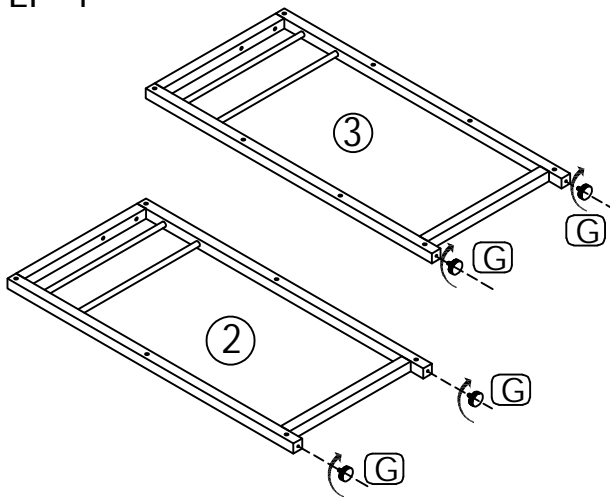
Installation Instructions




NO.	PICTURE	SIZE	QTY	NO.	PICTURE	SIZE	QTY
A		M6X70	4	F			1
B		ST7X50	4	G			4
C		M6X40	10+1	H		M6	4
D		M6X35	20+1	I			1
E		M6X30	12+1				

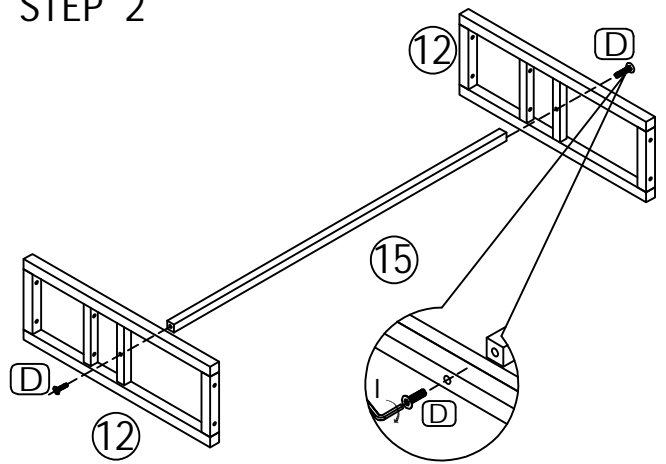
Installation Instructions


STEP 1



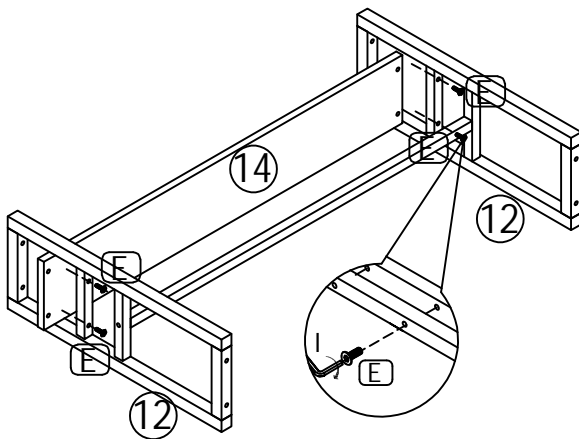
G = 4x 


STEP 2



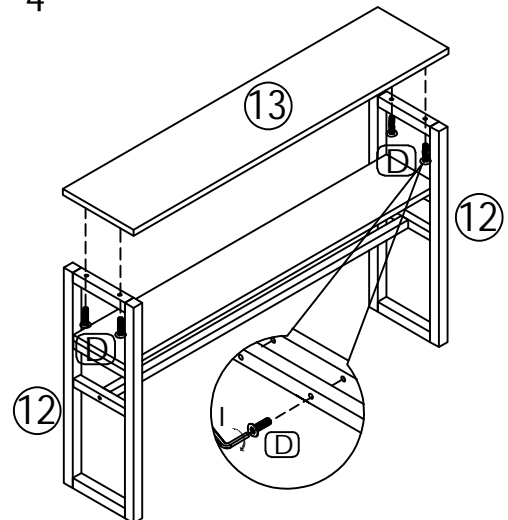
D = 2x 


STEP 3



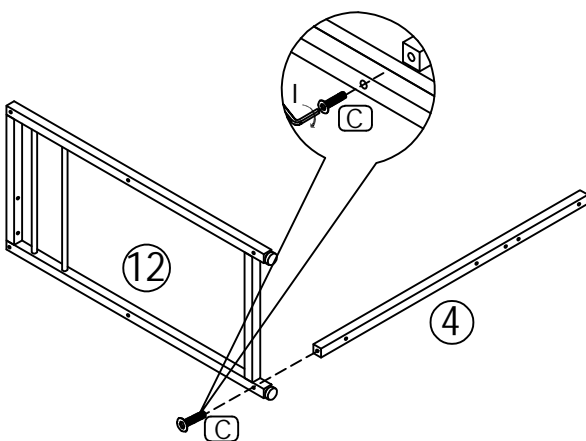
E = 4x 


STEP 4



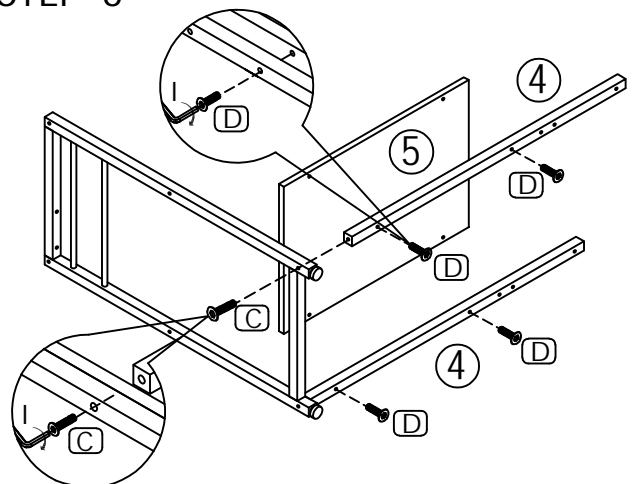
D = 4x 

STEP 5



C = 1x 

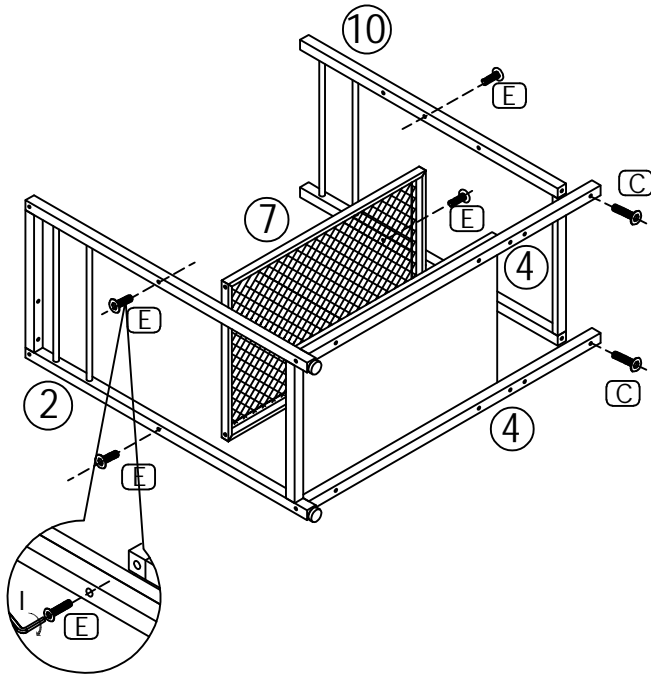
STEP 6



C = 1x  D = 4x 

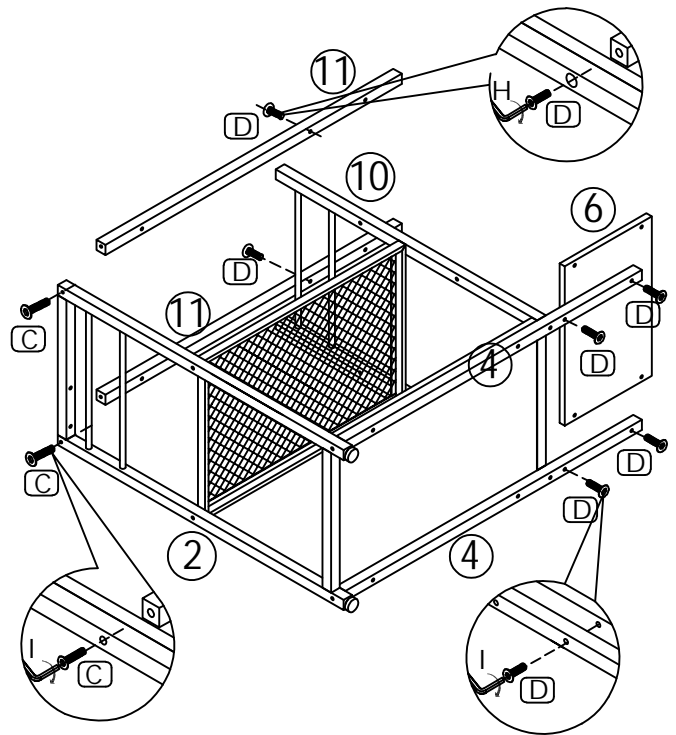
Installation Instructions



STEP 7



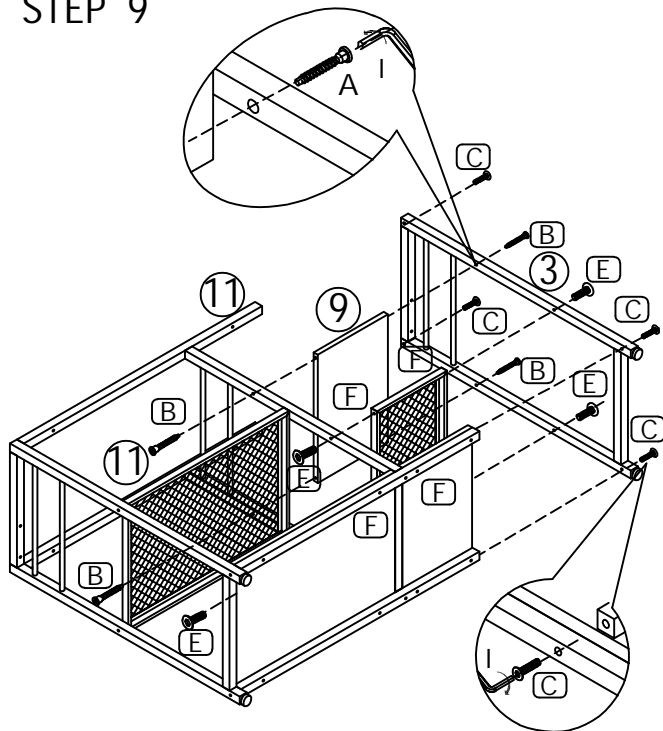
C = 2x  E = 4x 




STEP 8



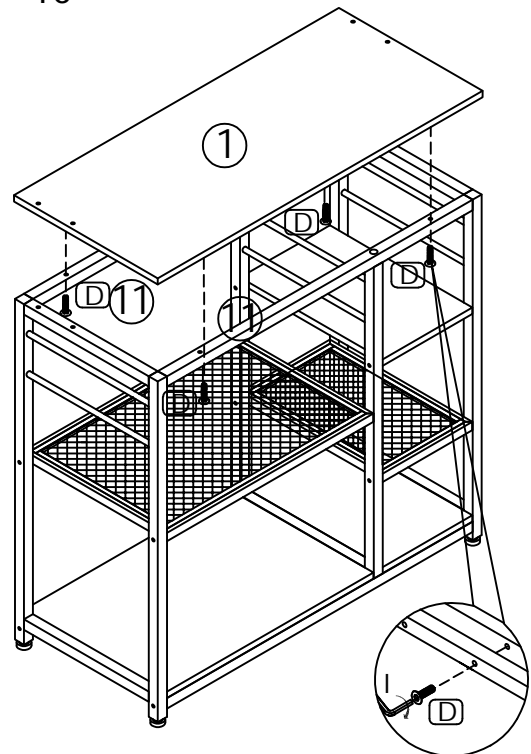
C = 2x  D = 6x 


STEP 9



B = 4x  C = 4x  E = 4x 

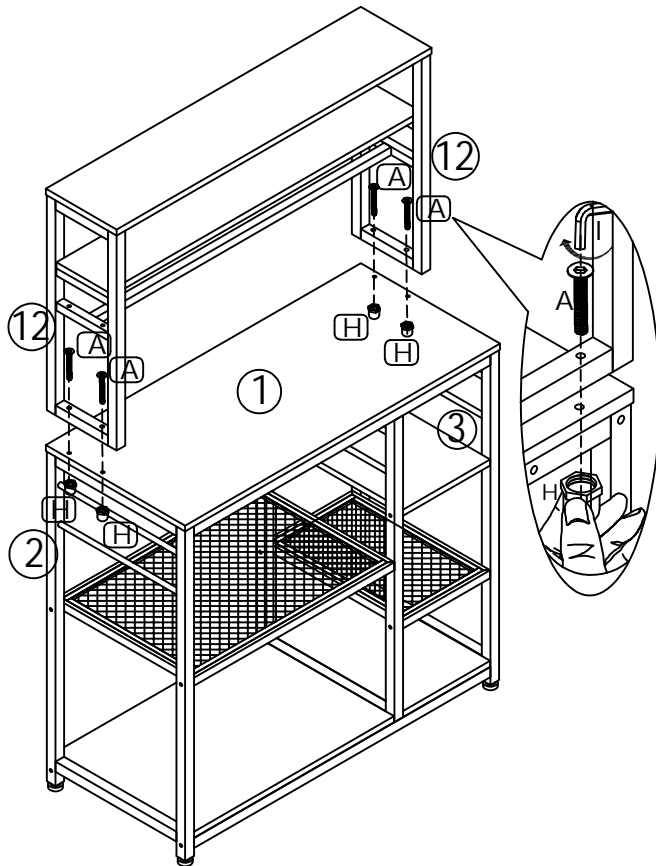
STEP 10





D = 4x 

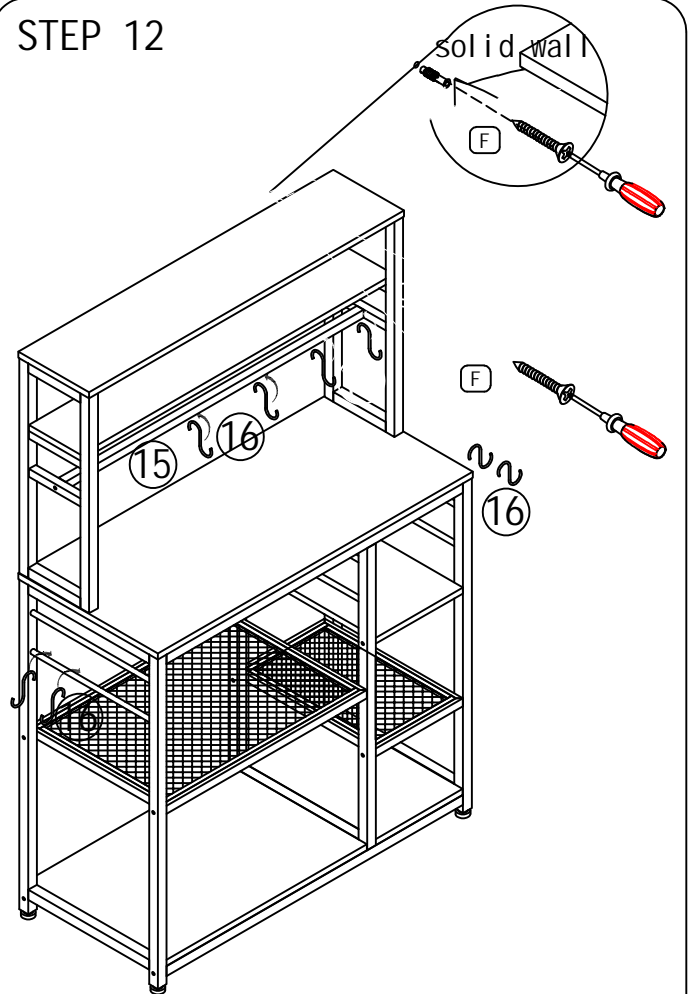
Installation Instructions




STEP 11



A = 4x  H = 4x 

STEP 12



F = 1x   

We genuinely appreciate your purchase of our product. Any problem (installation or damage caused by shipping), please feel free to contact us. Our customer service will help to solve the problem for your ASAP, as your satisfaction is our final goal. Thanks for choosing Tribesigns product, your satisfaction is our priority. If you have any installation problems or any damages caused by shipping, feel free to contact us at "support@tribesigns.com", our friendly customer service will solve problem for you.

www.tribesigns.com

E-mail: support@tribesigns.com