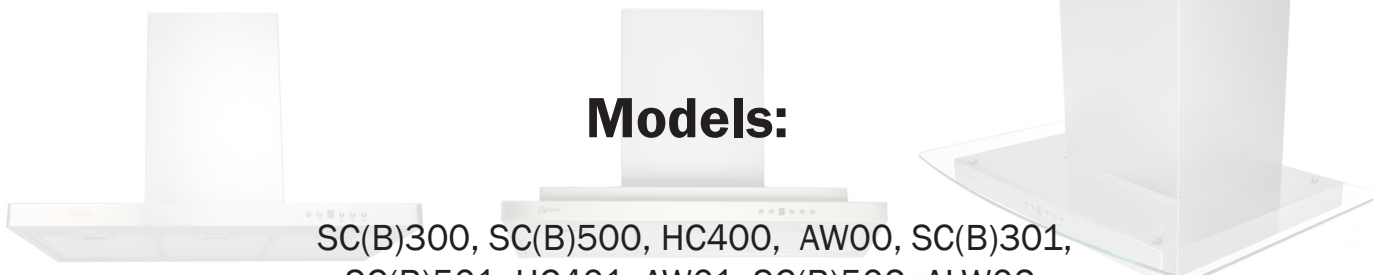




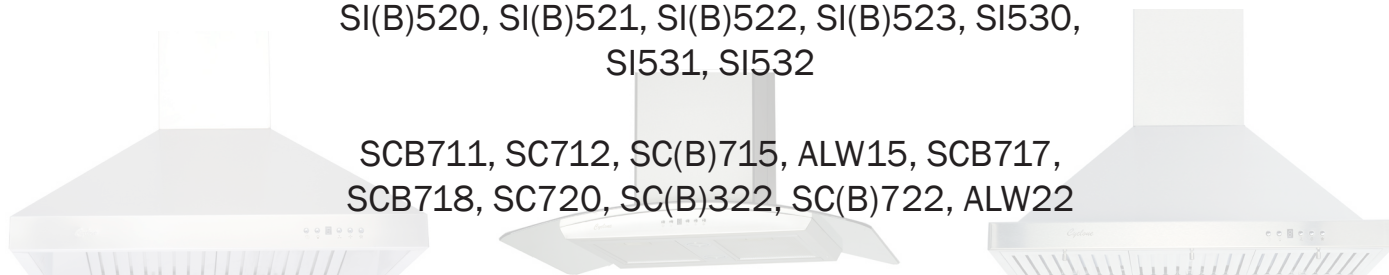
Self-Cleaning Range Hoods

Wall Mount and Island Range Hoods

Models:



SC(B)300, SC(B)500, HC400, AW00, SC(B)301,
SC(B)501, HC401, AW01, SC(B)502, ALW02,
SC(B)503, SC510, ALW10, SC(B)513, HC413,
SC(B)514, HC414, ALW14, AW14, AB14, SI(B)323,
SI(B)520, SI(B)521, SI(B)522, SI(B)523, SI530,
SI531, SI532



SCB711, SC712, SC(B)715, ALW15, SCB717,
SCB718, SC720, SC(B)322, SC(B)722, ALW22

Installation and Operation Instructions

Please read all instructions before installing and operating.

All wiring and installation must be in accordance with CEC, NEC and local electrical codes.

READ AND SAVE THESE INSTRUCTIONS



IMPORTANT SAFETY INSTRUCTIONS

Please read all instructions before installing and operating.
Model specifications may vary, please check our website for the most up to date specifications.

WARNING

- This appliance must be installed by a qualified technician.
- The manufacturer declines all responsibilities in the event of failure to observe the instructions given here for installation, maintenance and suitable use of the product.
- The manufacturer further declines all responsibility for injury due to negligence, and the warranty of the unit automatically expires due to improper installation and maintenance.

CAUTION

- Suitable for use in household cooking area.
- For general ventilation use only. Do not use to exhaust hazardous or explosive materials or vapors.
- Two installers are recommended because of the size and weight of this hood.
- *Bulb & socket may change.
- Mesh filters may discolour over time. Although product is dishwasher friendly, depending on the amount of grease and the type of dish-washing solutions used it may cause the mesh filters to discolour faster.

WARNING

TO REDUCE THE RISK OF RANGE TOP GREASE FIRE:

1. Never leave the range unattended at high settings.
2. Always turn hood ON when cooking at high heat or when flaming food.
3. Use proper pan size. Always use cookware appropriate for the size of the surface element.
4. Keep fan, filters and grease laden surfaces clean. Clean ventilating fans frequently. Do not allow grease to accumulate on fan or filter.
5. Use HIGH setting on hood only when necessary.
6. Don't leave hood unattended when cooking.
7. To reduce the risk of fire, use only metal ductwork.
8. This unit must be grounded.
9. Not for outdoor use.

WARNING

TO REDUCE THE RISK OF FIRE, ELECTRIC SHOCK, OR INJURY TO PERSONS, OBSERVE THE FOLLOWING:

1. Use this unit only in the manner intended by the manufacturer.
2. Before servicing or cleaning the unit, switch power off at service panel and lock service panel to prevent power from being switched on accidentally. When the service disconnecting means cannot be locked, securely fasten a prominent warning device to the service panel.
3. Installation work and electrical wiring must be done by qualified persons in accordance with all applicable codes and standards, including fire-rated construction.
4. Sufficient air is needed for proper combustion and exhausting of gases through the flue of fuel burning equipment to prevent back drafting. Follow the heating equipment manufacturer's guideline and safety standards as published by the local code authorities.
5. When cutting or drilling into walls or ceilings, be careful not to damage existing electrical wiring and other hidden utilities.
6. To reduce the risk of fire, electric shock and to properly exhaust air, ducted fans must always be vented outdoors. Do not vent exhaust air into spaces within walls, ceilings, attics, crawl spaces, or garages. Do not connect this fan with any solid-state speed control device.
7. Always keep the duct clear to maintain proper airflow for venting.
8. The bottom of the hood **MUST NOT BE LESS** than 28" and at a suggested maximum of 36" above cooktop for best capture of cooking impurities. For a gas range, the bottom of the hood **MUST NOT BE LESS** than 30" above cooktop.

WARNING

- Do not repair or replace any part of this appliance unless specifically recommended in this book. All other service should be performed by a qualified technician.
- The hood motor has a thermal overload that will automatically shut off the motor if it becomes overheated. The motor will restart. If the motor continually shuts off and restarts, contact the Cyclone service department. Ensure that the hood is mounted at the recommended mounting height.
- This product may have sharp edges. Be careful to avoid cuts and abrasions during installation and cleaning.

CONTENTS

Important Safety Instructions.....	3
Damage Inspection.....	5
Ducting.....	5
Mounting Heights and Clearance.....	6
Wiring Installation.....	6
Wall Mount Installation - Tools and Materials Required.....	7
Wall Mount Installation - Parts Supplied.....	7
Wall Mount Hood Installation.....	8
Island Installation - Tools and Materials Required.....	9
Island Installation - Parts Supplied.....	9
Island Hood Installation.....	10
Canopy Hoods Specifications.....	12
Troubleshooting.....	13
Control Panel.....	14
Maintenance.....	14
Cyclone Range Hoods Limited Warranty.....	15

DAMAGE INSPECTION

- Please fully inspect unit for damage before installation.
- If the unit is damaged in shipment, return the unit to the store in which it was bought for repair or replacement.
- If the unit is damaged by the customer, repair or replacement is the responsibility of the customer.
- If the unit is damaged by the installer (if other than the customer), repair or replacement must be made by arrangement between customer and installer.
- Once installed, all damages will be assumed the responsibility of the installer.

DUCTING

WARNING

- To reduce the risk of fire, use only metal ductwork.
- To reduce risk of fire and to properly exhaust air, be sure to duct air outside – do not vent exhaust air into spaces within walls, ceilings, attics, crawl spaces, or garages.

CAUTION

- Best to use rigid type metal ducts. Flexible ducts can restrict airflow by more than 50%.
- Reduce the number of transitions and turns as much as possible. If a reducer is used, install a long reducer instead of a pancake reducer. If turns and transitions are required, install them as far away from the opening as possible and as far apart between two as possible.

WARNING

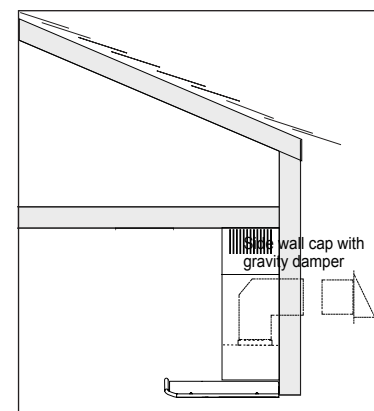
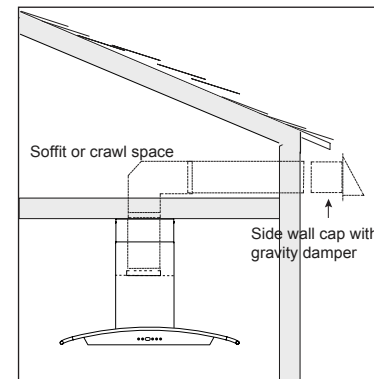
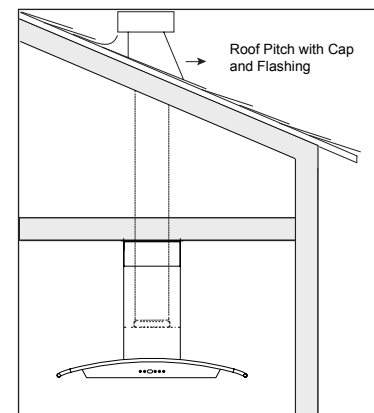
- 6" round ductwork must be used to maintain maximum air flow efficiency with motors of 450 CFM or greater. If the use of any size ducting is less than 6", the warranty is automatically voided.
- The venting duct must go horizontally or vertically up to the outside wall or the roof. If it is turned downward anywhere in the venting system, the warranty is automatically voided.

Fasten all connections with sheet metal screws and tape all joints with certified silver tape or duct.

Do not cut a joist or stud unless absolutely necessary. If a joist or stud must be cut then a supporting frame must be constructed.

Before making cutouts make sure there is proper clearance within the ceiling or wall for the exhaust vent.

Examples of different types of ventilation for island and wall mounted canopies:



Additional parts not provided.

MOUNTING HEIGHTS AND CLEARANCE

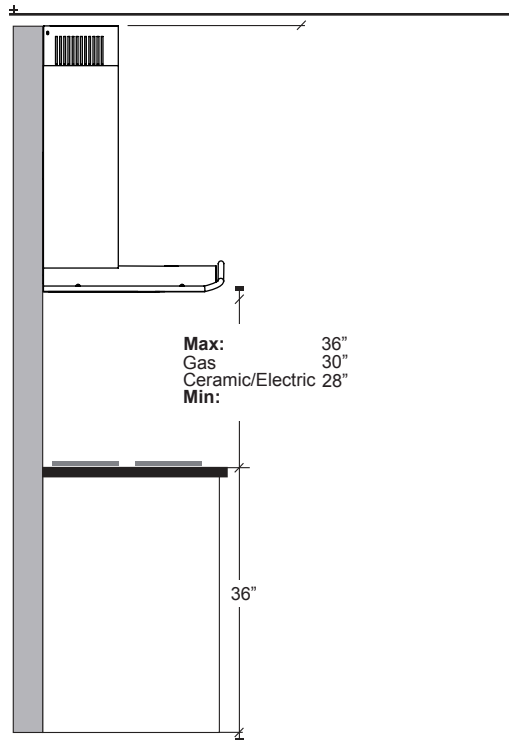
WARNING

- The hood should be installed at 28" minimum above the cooking surface. If pairing your range hood with a gas stove minimum mounting height must be 30" above the cooking surface.

Minimum mount height between range top to hood bottom should be no less than 28" for electric or ceramic stoves, and no less than 30" for gas stoves. The maximum mount height should be no more than 36". The hood must be installed at the correct mounting height. Hoods mounted too low could result in heat damage. Hoods mounted too high, on the other hand, will be less effective and performance may suffer.

Check your ceiling height and the hood height maximum before you select your hood.

Hood installation height above cook top is the user's preference. The lower the hood is above the cook top the more efficient it will be in drawing out cooking odors, grease and smoke.



WIRING INSTALLATION

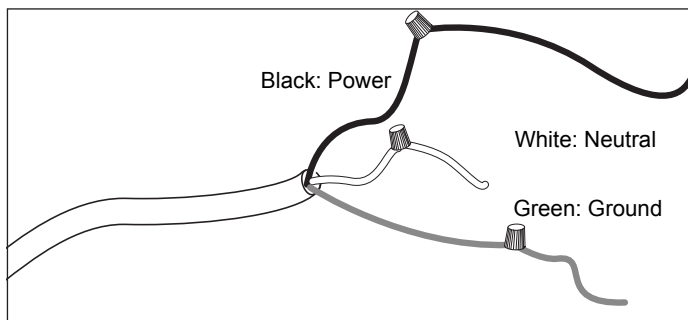
This appliance requires 120V 60Hz electrical supply and connection to an individual properly grounded branch circuit protected by a circuit breaker or time delay fuse.

Grounding Instructions

This appliance must be grounded.

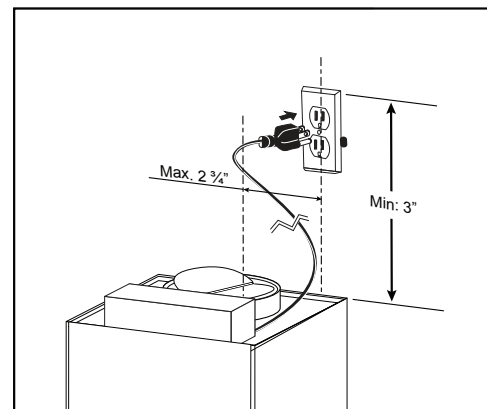
This appliance is equipped with a cord having a grounding wire or with a plug having grounding wire. The grounding wire must be grounded properly in the junction box or the plug must be plugged into an outlet that is properly installed and grounded.

1. Connect the power line ground wire to the green ground wire supplied with the hood.
2. Connect the black power wire to the black wire supplied with the hood.
3. Connect the white neutral wire to the white wire supplied with the hood.



Install the Electrical Power Supply

Position the outlet or junction box within the space covered by the duct cover. Place the outlet or junction box at a maximum distance of 24" from where the cord exits from the hood. The center of the outlet or junction box should be positioned at 2 3/4" away from the center of the future hood location. Make sure this does not interfere with the mounting area or with the duct cover.

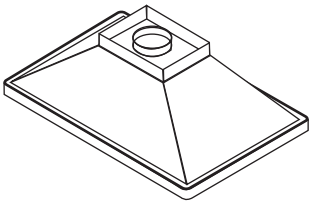


WALL MOUNT INSTALLATION - TOOLS AND MATERIALS REQUIRED

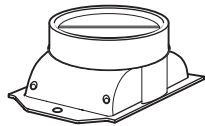
- Electrical drill or ratchet driver
- ½” drill bit for drilling pilot holes
- 1 ¼” drill bit for drilling electrical wiring access hole (if applicable)
- Phillips screwdriver #2 or driver bit
- Wire stripper or cutter
- Tape measure
- Aluminum foil tape and/or duct tape
- Electrical supplies for wiring (i.e. marrets, electrical tape)
- Hammer
- Jigsaw or saber saw
- Drywall stud (if applicable)
- Step ladder
- Stud finder
- Level

WALL MOUNT INSTALLATION - PARTS SUPPLIED

1 × Hood



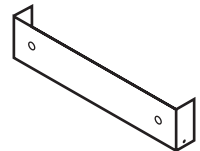
1 × Round Adapter
(May be Pre-Installed)



1 × Chimney Flues
(Top and Bottom)



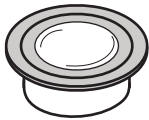
1 × Upper Mounting Bracket



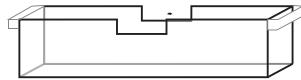
PRE-INSTALLED

2 or 4 × LED Lights
(1.5W per bulb)

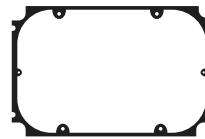
*Bulb & socket may change.



1 × Oil Cup

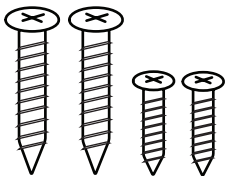


1 × Plastic Adapter Seal

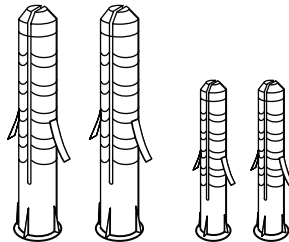


HARDWARE PACKAGE

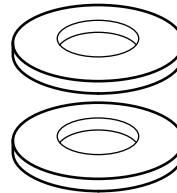
4 × Mounting Screws
(Long and Medium, 2 each)



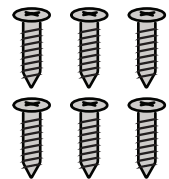
4 × Drywall Anchors
(Large and Small, 2 each)



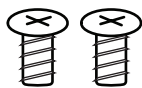
2 × Washers



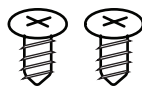
6 × Adapter Screws



2 × Top Chimney Screws



FOR PYRAMID SHAPE HOODS ONLY:
2 × Bottom Chimney Screws



WALL MOUNT HOOD INSTALLATION

Install the Wall Mount Hood

1. Measure from range top to hood bottom and use a leveler to mark line A (28" minimum from range top for electric/ceramic stoves, 30" minimum from range top for gas stoves).
2. Place and mark center line C/L.
3. Use the hood fan as template to find the mounting screws position. Keep the hood bottom centered and level on line A. Mark the position of the two mounting screws (Figure 1).

Important: The minimum allowable distance from the top of the damper on range hood to the bottom of the ductwork protruding from wall is 3".

4. Fasten two mounting screws into studs where possible at the positions marked with an X. Do not fasten screws all the way.
5. Where studs are not available, you must construct wood wall framing that is flush with surface of wall studs. Wood wall framing should be at least 1/2" thick and 3" high. Assemble wood wall framing to wall studs for a secure installation. Make sure the height of the framing allows the hood fan to be secured to the wood block (Figure 2).

CAUTION

- Wood blocking may need to be added behind the drywall if no studs are present. Wall anchors may also be used, check local codes before using wall anchors.

WARNING

- When cutting or drilling into wall, do not damage electrical wiring and other hidden utilities.

6. Center the upper cover mounting bracket with the center line and mount it flush with the ceiling by drilling pilot holes and using small anchors provided (Figure 3).
7. Install 6" round adapter if not preinstalled.
8. Remove the filters from the hood.
9. Hang hood onto screws and hand tighten. If possible, use extra screws to further secure the hood to the wall from inside the hood.
10. Install 6" round duct over the adapter, connect it with the venting duct coming from the wall or ceiling. Use metal foil duct tape to seal the joint.
11. Install electrical connection. Turn on the hood and check for leaks around duct tape.
12. Place telescopic duct covers onto hood and extend inner top duct cover upwards and secure to duct cover bracket.
13. Reinstall filters to the hood. Remove protective plastic film covering the duct covers and hood.

CAUTION

- At least two installers are required due to the weight and size of the hood.
- Turn off power circuit at the service panel before wiring this unit.
- All electrical work must be done by a qualified electrician in accordance with all applicable codes and standards. This range hood must be properly grounded.

Figure 1.

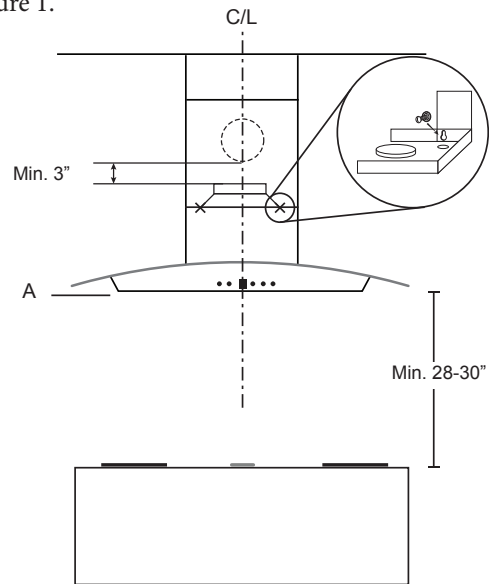


Figure 2.

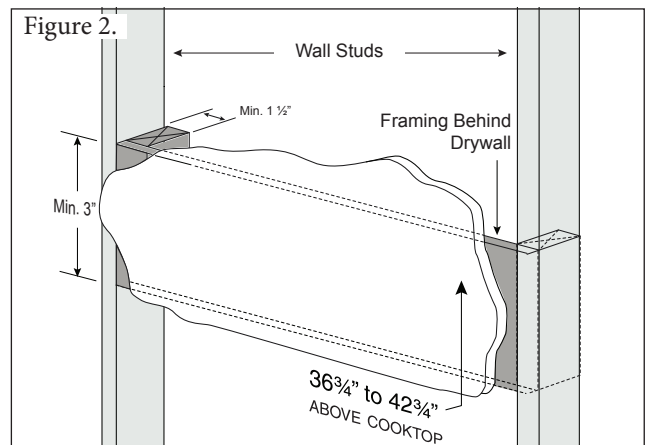
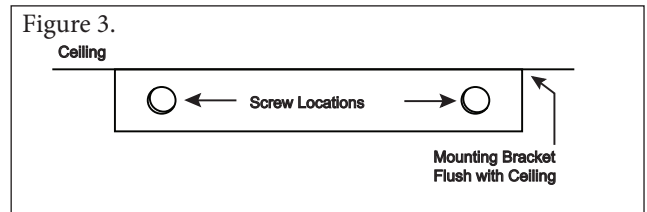


Figure 3.

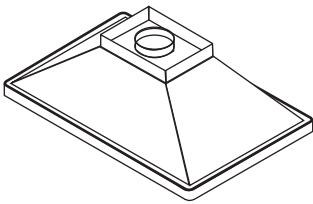


ISLAND INSTALLATION - TOOLS AND MATERIALS REQUIRED

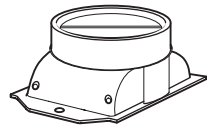
- Electrical drill or ratchet driver
- ½” drill bit for drilling pilot holes
- 1 ¼” drill bit for drilling electrical wiring access hole (if applicable)
- Phillips screwdriver #2 or driver bit
- Wire stripper or cutter
- Tape measure
- Aluminum foil tape and/or duct tape
- Electrical supplies for wiring (i.e. marrets, electrical tape)
- Hammer
- Jigsaw or saber saw
- Drywall stud (if applicable)
- Step ladder
- Stud finder
- Level

ISLAND INSTALLATION - PARTS SUPPLIED

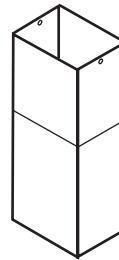
1 × Hood



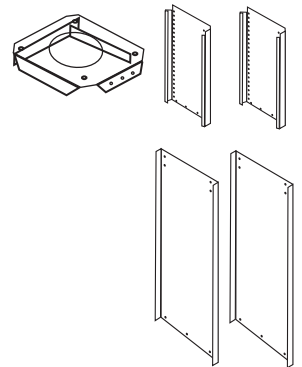
1 × Round Adapter
(May be Pre-Installed)



1 × Chimney Flues
(Top and Bottom)



3 × Mounting Brackets
(Upper and Expandable Side)



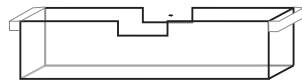
PRE-INSTALLED

2 or 4 × LED Lights
(1.5W per bulb)

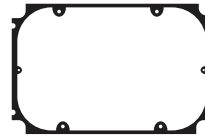
*Bulb & socket may change.



1 × Oil Cup

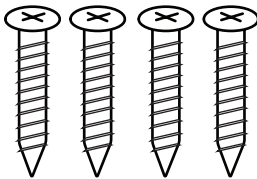


1 × Plastic Adapter Seal

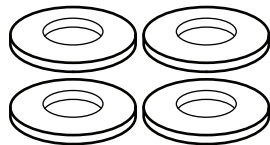


HARDWARE PACKAGE

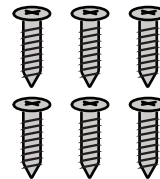
4 × Mounting Screws



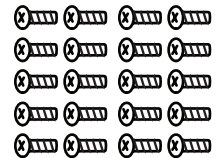
4 × Washers



6 × Adapter Screws



20 × Mounting Bracket Screws



SI520 ONLY

2 × Bottom Chimney Screws



ISLAND HOOD INSTALLATION

⚠ CAUTION

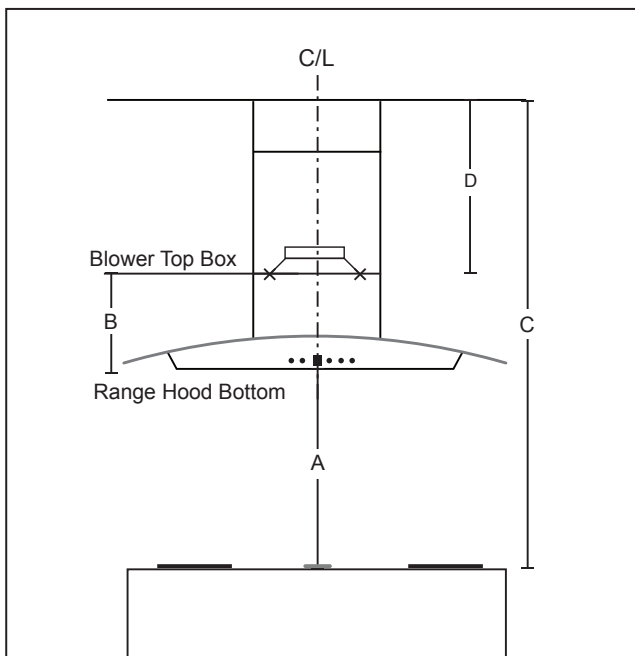
- At least two installers are required due to the weight and size of the hood.
- This hood should be installed to a finished ceiling.
- Turn off power circuit at the service panel before wiring this unit.
- All electrical work must be done by a qualified electrician in accordance with all applicable codes and standards. This range hood must be properly grounded.

Install Mounting Bracket

⚠ WARNING

- When building framework, always follow all applicable construction codes and standards.
1. Modify ceiling structure at hood location. Install 2 × 4 cross framing between ceiling joists using ceiling mounting bracket dimension (Figure 4). The framework must be sized to support the total weight of the hood.
 2. Finish ceiling surface. Be sure to mark the location of the ceiling joists and cross framing. Bring house wiring through finished ceiling.

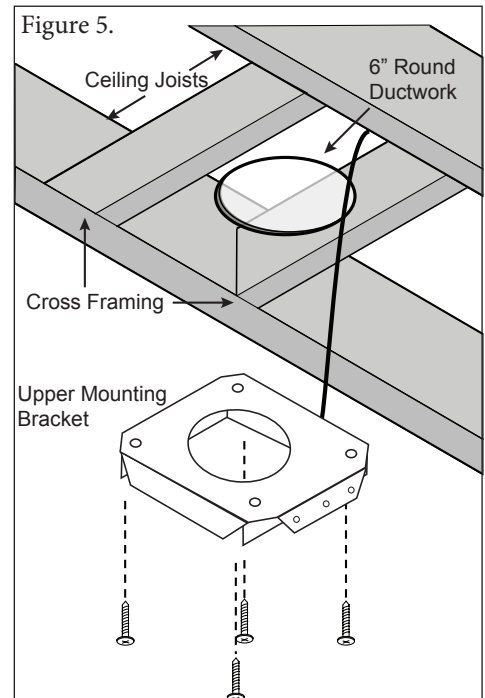
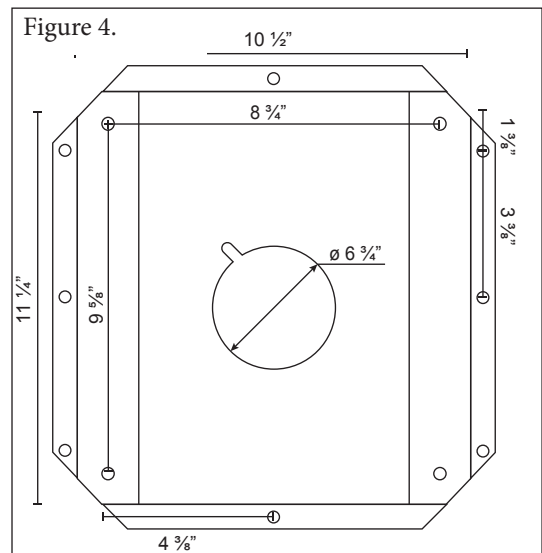
Measure Installation Height



Determine the required distance between the ceiling and the top of the blower box (D) based upon ceiling height (C), desired height of hood above cooktop (A) and unit height (B):

$$D=C-A-B$$

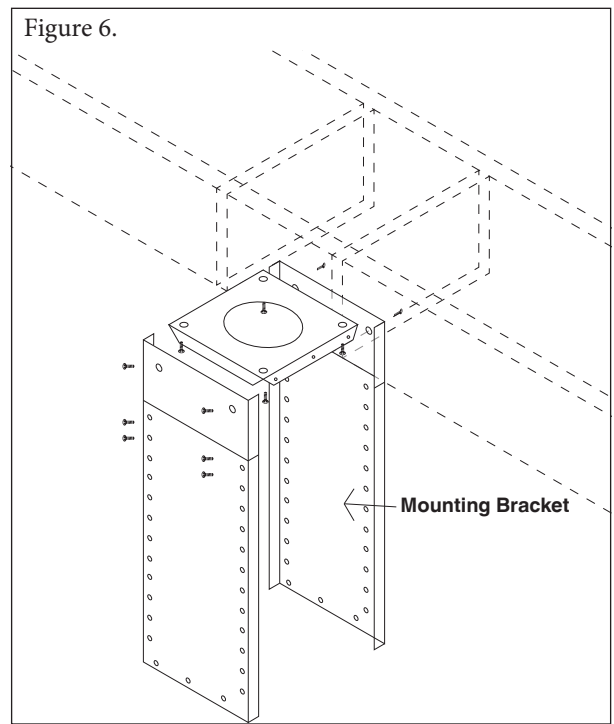
The height D is the installation height of the mounting bracket (Figure 3). If the installation height D is less than 22", the mounting bracket and duct covers may need to be cut. The duct cover needs a clean cut and must be cut from bottom end sides for both inside and outside pieces. For optimal clearance, the minimum mounting should be 30" above the cooking surface.



- Position the ceiling mounting plate in such a way that one of the sides with three screw holes faces the front of the hood. Secure mounting bracket to the ceiling using four wood screws. Ensure that screws are driven into the center of the framing for maximum strength. Assemble two upper side brackets to the ceiling mounting bracket using six mounting screws (three per bracket) (Figure 5 & 6).
- Use eight screws to mount the lower brackets to the upper brackets. Determine lower brackets mounting height based upon installation height D of the mounting bracket.

Note: 10 Feet Ceilings

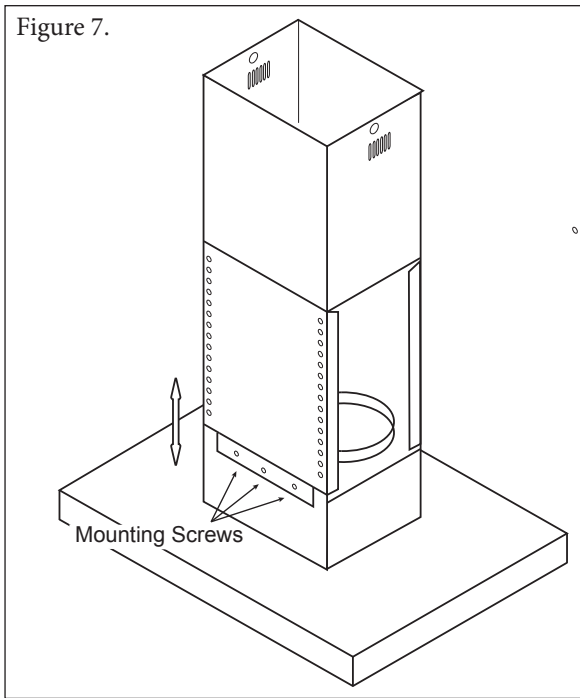
For SI520, use the mounting brackets and duct covers supplied. For any other models, optional extension mounting brackets and duct covers need to be ordered.



Install the Island Hood

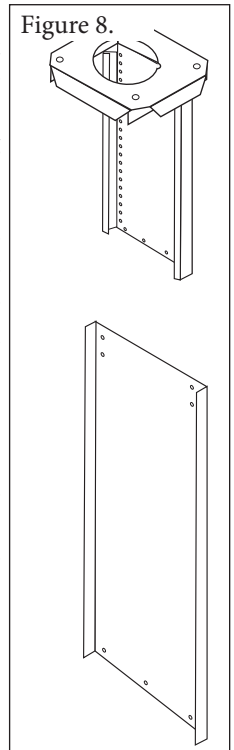
- Remove the filters from the hood; attach the adapter/damper to the top of the hood.
- Measure the required length of 6" round metal duct from the adapter/damper to the ductwork rough-in in the ceiling. Connect this section of duct to the adapter/damper and seal joint with metal foil duct tape.

Figure 7.



- Slide the lower and upper chimney flues over the installed mounting bracket and have a second person hold it to the ceiling.
- Attach the hood to mounting bracket using six screws (three per side) (Figure 7).
- Slide the lower and upper chimney flues down on top of the hood. Install the electrical connection and connect the duct to the rough-in duct work in the ceiling. Seal the joints with metal foil duct tape.
- Power up hood and check for leaks around duct tape.
- Carefully slide the upper (inner) flue over up to the ceiling and secure it to the mounting plate from both sides.
- Reinstall filters to the hood, peel off the protective plastic film covering the flues and the hood.

Figure 8.



Note: For some models, the "L" shape support frame may be used (Figure 8). The installation procedures are same except that the hood is mounted on one side. If need be, use an adjustable string wire from other side to keep the hood level.

CANOPY HOODS SPECIFICATIONS

	SC300/SC301/ SC322/ SI323	SC500/HC400/ SC501/HC401/ SC502/SC503/ SC510/SC513/ HC413/SC514/ HC414/	AW00/AW01/ ALW02/ALW10/ AW14/AB14	SC707/SC712/ SC717/SC718/ SC720/SC722/ ALW22/SC727/ SC771	SCB500/SCB501/ SCB514/SC711/ SC715/ALW15	SI520/SI521/SI522/ SI523/SI530/SI531
SIZE	30"/36"	30"/36" SC500/SC514 - 24"/30"/36"	30"/36" SC500/SC514 - 24"/30"/36"	30"/36" SC718 - 36"	30"/36" SCB500/SCB514 - 24"/30"/36"	36" SI523 - 30"/36"
MOUNTING	WALL SI323 - ISLAND	WALL	WALL	WALL	WALL	ISLAND
MAX. CUBIC FEET/ METER (CFM)	300	550	ALW02/ALW10 - 480 AW00/AW01/ AW14/AB14 - 450	650 ALW22 - 480	650 ALW15 - 480	600
MAX. SONES	4	6	6	7	7	7
FINISH	STAINLESS STEEL STAINLESS STEEL + GLASS	STAINLESS STEEL STAINLESS STEEL + GLASS	STAINLESS STEEL STAINLESS STEEL + GLASS	STAINLESS STEEL STAINLESS STEEL + GLASS	STAINLESS STEEL STAINLESS STEEL + GLASS	STAINLESS STEEL STAINLESS STEEL + GLASS
CONTROLS	ELECTRONIC PUSH BUTTON	ELECTRONIC PUSH BUTTON	ELECTRONIC PUSH BUTTON	ELECTRONIC PUSH BUTTON	ELECTRONIC PUSH BUTTON	ELECTRONIC PUSH BUTTON
SPEED LEVELS	3	3	3	3	3	3
DELAY OFF	YES	YES	YES	YES	YES	YES
LIGHTING	2 × 1.5W LED SI323 - 4 × 1.5W LED	2 × 1.5W LED	2 × 1.5W LED	2 × 1.5W LED	2 × 1.5W LED	2 × 1.5W LED SI523 - 4 × 1.5W LED
FILTERS	ALUMINUM MESH	ALUMINUM MESH	ALUMINUM MESH	ALUMINUM MESH	BAFFLE	ALUMINUM MESH
EXTENSION DUCT OPTION	YES, 10' + CEIL- ING SPECIAL ORDER	YES, 10' + CEIL- ING SPECIAL ORDER	YES, 10' + CEIL- ING SPECIAL ORDER	YES, 10' + CEIL- ING SPECIAL ORDER	YES, 10' + CEIL- ING SPECIAL ORDER	YES, 10' + CEIL- ING SPECIAL ORDER
DUCT	6" ROUND TOP	6" ROUND TOP	6" ROUND TOP	6" ROUND TOP	6" ROUND TOP	6" ROUND TOP
AC INPUT	120V 60Hz	120V 60Hz	120V 60Hz	120V 60Hz	120V 60Hz	120V 60Hz
POWER CONSUMPTION	180W	200W	200W	200W	200W	200W
MOUNTING HEIGHT	28"-36"	28"-36"	28"-36"	28"-36"	28"-36"	28"-36"

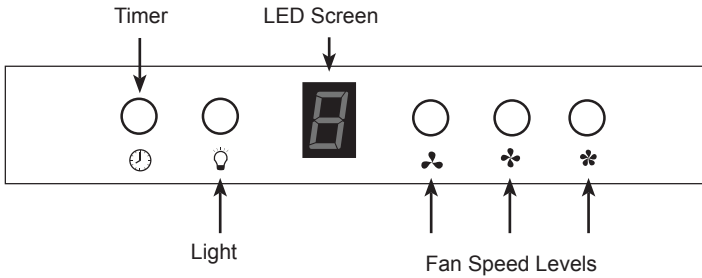
*Bulb & socket may change.

TROUBLESHOOTING

For additional service inquiries, contact Cyclone servicing department at 1-888-293-5662 or Service@CycloneRangeHoods.com

ISSUE	CAUSE	SOLUTION
Unit doesn't work after installation.	1. The power source is not turned ON.	1. Ensure power is ON for the circuit breaker and unit.
	2. The power line and the cable locking connector are not connected properly.	2. Check the power connection with the unit is connected properly.
	3. The switch button seized.	3. Loosen the switch mounting screws from back of the switch.
	4. The control panel and motherboard wirings are disconnected.	4. Make sure wiring between the control panel and motherboard are connected properly.
	5. The control panel or motherboard is defective.	5. Change the control panel or motherboard board.
Light indicates power ON but motor doesn't turn.	1. The motor is defective, possibly seized.	1. Change the motor. Servicing may be required.
	2. The switch button seized..	2. Loosen the switch mounting screws from back of the switch.
	3. The control panel or motherboard is defective.	3. Change defective part. Servicing may be required.
The unit vibrates.	1. The motor is not secured.	1. Tighten the motor in place.
	2. Damaged blower wheel.	2. Replace the blower wheel. Servicing may be required.
	3. The hood is not secured in place.	3. Check the installation of the hood.
	4. Venting duct too small or blockage in the duct opening or ductwork.	4. Check the venting duct and the wall cap or roof cap.
Motor works but lights do not turn on.	1. Defective light bulb.	1. Change the light bulb.
	2. The light bulb is loose.	2. Tighten the light bulb.
	3. The wire connector for lights is loose.	3. Call for assistance.
	4. Defective light transformer.	4. Change transformer. Servicing may be required.
The hood is not venting out properly.	1. The hood might be hanging too high from the cook top.	1. Adjust the distance between the cook top and the bottom of the hood within 28" - 36" above the range.
	2. Blockage in the duct opening or ductwork.	2. Remove all the blocking from the duct work or duct opening.
	3. Using the wrong size of ducting.	3. Use at least 6" duct work.

CONTROL PANEL



To Engage Time-Delay Off Functions:

1. Turn the machine on at any speed
2. To activate the timer after cooking, press the timer button once. The screen light will begin flashing with a default of 3 minutes before turning off. To set the timer, press the lowest fan speed setting to toggle the desired timer up to 9 minutes. **Note: The power setting that is being used prior to setting the time delay will be the final setting used when the time delay option has been activated. Power settings cannot be adjusted once the time delay option has been set.**
3. Using the power level one button, set the time delay option in minutes for the machine to automatically shut off by pressing the button until the desired time is reached.
4. If you do not wish to activate the time delay option simply press the timer button twice to shut machine off.

MAINTENANCE

For a complete description of our maintenance and operating instructions you may visit us online at www.CycloneRangeHoods.com to download your model's Use and Care Guide.

Due to the fact that we are always striving to improve our products and take advantage of advances in technology there may be slight variations in your product.

WARNING

- Always switch off power and unplug before cleaning and maintenance.
- Mesh filters may discolour over time. Although product is dishwasher friendly, depending on the amount of grease and the type of dish-washing solutions used it may cause the mesh filters to discolour faster.

Surface and Filter Cleaning:

Clean with warm soapy water and a clean cloth. Do not use corrosive or abrasive detergent or steel wool pads that can scratch the surface of the machine.

Use non-abrasive stainless steel polish to buff out the luster and grain. Scrub lightly.

The stainless steel filters trap residue and grease from cooking. The filters should never have to be replaced but should be cleaned thoroughly every 30 to 60 days depending on cooking habits. Filters may be placed in the dishwasher on low heat or soaked in warm, soapy water.

Spray degreasing detergent and leave to soak if heavily soiled.

Replacing Lightbulbs:

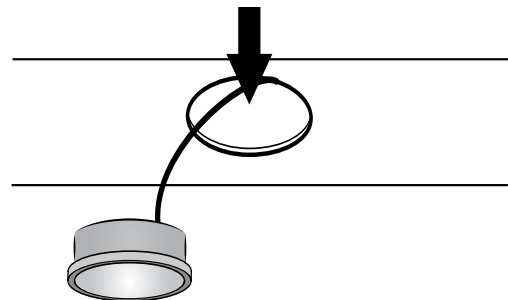
WARNING

- Always switch off electrical supply before carrying out any operation on the appliance.
- *Bulb & socket may change.

This range hood requires LED bulbs. (1.5W maximum per bulb)

To change the light bulb, remove light case from the light socket. The light case can be accessed from the inside of the body of the machine.

1. Disconnect the connecting wires of the light socket from the motherboard wires.
2. Remove grease filters and push light case outward away from the machine.
3. Replace with a new case.



CYCLONE RANGE HOODS LIMITED WARRANTY

Cyclone Range Hoods Inc. (hereunder called “The Company”) provides a warranty that its products are free from defects in workmanship and materials for a period of two (2) years from the date of purchase. This warranty includes in-home service (where applicable) for the first year and workshop service for the second year. During that time period, The Company will, at the Company’s option, repair or replace without charge any parts or complete unit found to be defective. Further, the warranty for the motor extends for an additional eight (8) years, with labor costs extra. This warranty is not transferable from the original purchaser. The company reserves the right to use functionally equivalent reconditioned parts or products as warranty replacement or as part of warranty service.

THE COMPANY WILL NOT BE HELD RESPONSIBLE FOR ANY CLAIMS OVER THE ORIGINAL PURCHASE PRICE OF THE PRODUCTS NOR BE LIABLE FOR INCIDENTAL, CONSEQUENTIAL OR SPECIAL DAMAGES ARISING OUT OF OR IN CONNECTION WITH PRODUCT USE OR PERFORMANCE.

Some provinces do not allow the exclusion or limitation of incidental or consequential damages, so the above limitation or exclusion may not apply to you.

In-home service will be made available only in areas where a contracted service provider offers services. If customer outside the service area, additional charges may apply for shipping costs for warranty repair or replacement. The unit removal and reinstallation works are under the customer responsibility.

This warranty does not cover any costs related to the products including but not limited to:

- a) Normal maintenance service required for the products;
- b) light bulbs, plastic grease collector cups, filters, ducts, roof caps, wall caps and other accessories for ducting;
- c) natural wear of the finish of the products or wear caused by improper maintenance, use of corrosive and abrasive cleaning products;
- d) products or parts which have been subject to freight damage, misuse, negligence, accident or any other circumstances beyond the control of The Company.

The warranty will be automatically void if any of the following apply:

- i. Commercial use of the products or use otherwise inconsistent with its intended purpose;
- ii. The function of part or the complete assembly has been modified or repaired by unauthorized person;
- iii. Faulty installation or installation contrary to recommended installation instructions:
 - **The hood installed at less than 28” minimum above the range surface;**
 - **Ventilation system has not been vented to the outside or ventilation system stuck;**
 - **Less than 6” round or equivalent ductwork has been used anywhere in the venting system for models with 550 CFM or more CFM;**
 - **The venting duct turned downward anywhere in the venting system;**
 - **Wrong electrical wire connection for the fan.**

To qualify for warranty service you must: (a) notify us at the address telephone number stated below within 2 days of the discovery of the defect; (b) provide the model number and serial number; and (c) describe the nature of any defect in the product or part.

At the time of requesting for service, you must present evidence of your proof of purchase and proof of the original purchase date. If we determine that the warranty exclusions listed above apply or if you fail to provide the necessary documentation to obtain service, customer will be responsible for all shipping, travel, labor and other costs related to the service

For warranty services or repair, please contact the dealer from whom you purchased the product or the address shown below.

North America Range Hoods Inc.
1361 Huntingwood Drive, Unit 16
Scarborough, ON M1S 3J1
Tel: 1-888-293-5662 or (416) 293-0933 Fax (416) 293-4793
Email: Info@CycloneRangeHoods.com
Website: www.CycloneRangeHoods.com