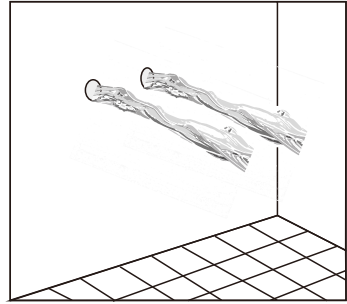


Installation instructions

2312301 2312301B

Operating conditions

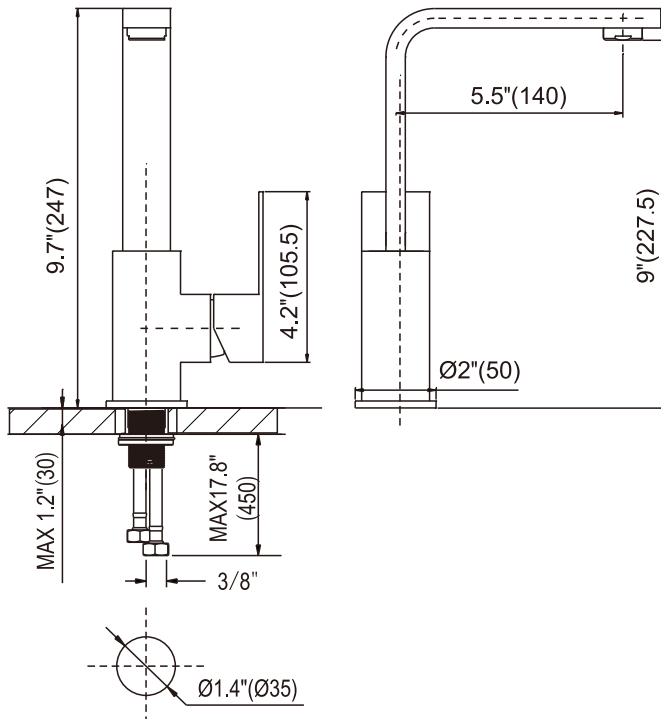
Recommended flow temperature $\leq 65^{\circ}\text{C}$
Maximum flow temperature momentary $\leq 90^{\circ}\text{C}$
Minimum flow pressure 1 bar
Maximum flow pressure 5 bar
Recommended operating pressure 3 bar
Test pressure 16 bar



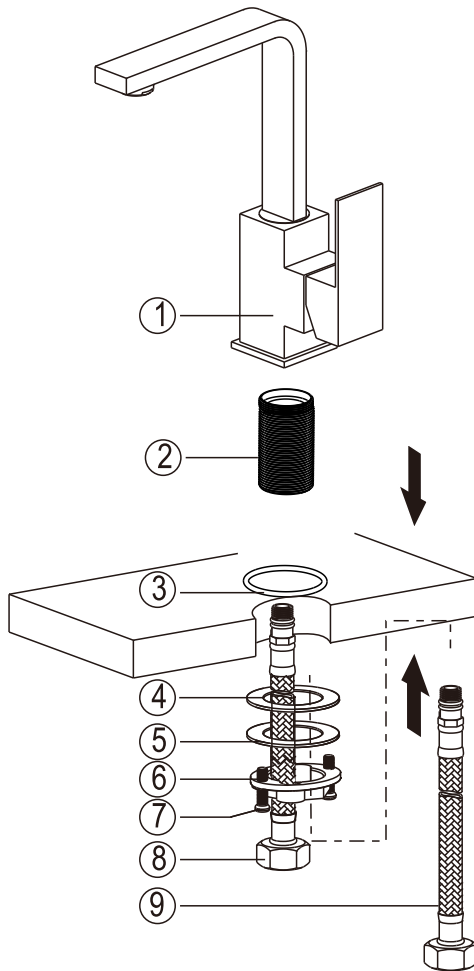
Notes

Before installing the valves, clean the water pipe thoroughly to avoid dirt and deposits

Technical data



unit: inch (mm)



1. Screw flexible hoses(8) through the rubber washer(3) under the body (1)
2. Screw threaded rod (2) under body (1)
3. Screw flexible hoses (9) under the body (1)
4. Insert washer (4) and SS304 washer (5) through threaded rod (2)
5. Screw hexagonal lock nut (6) on to threaded rod (2) and tighten.
6. Screw the nut (6) with screws (7) to fix the faucet body (1)