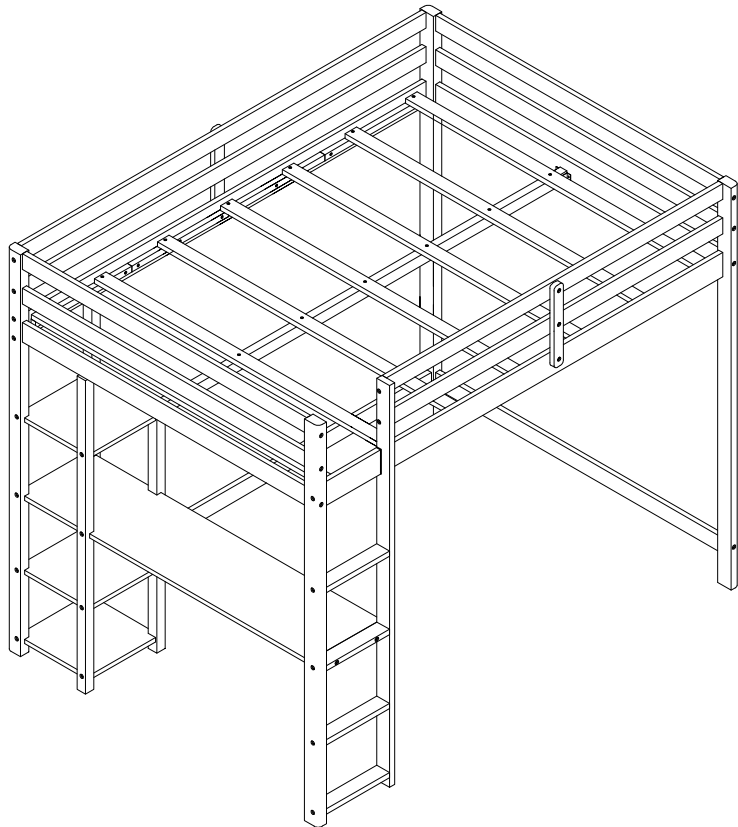


# ASSEMBLY INSTRUCTIONS

## FULL LOFT BED WITH 4 SHELVES AND DESK



**WF289721 / WF289722**

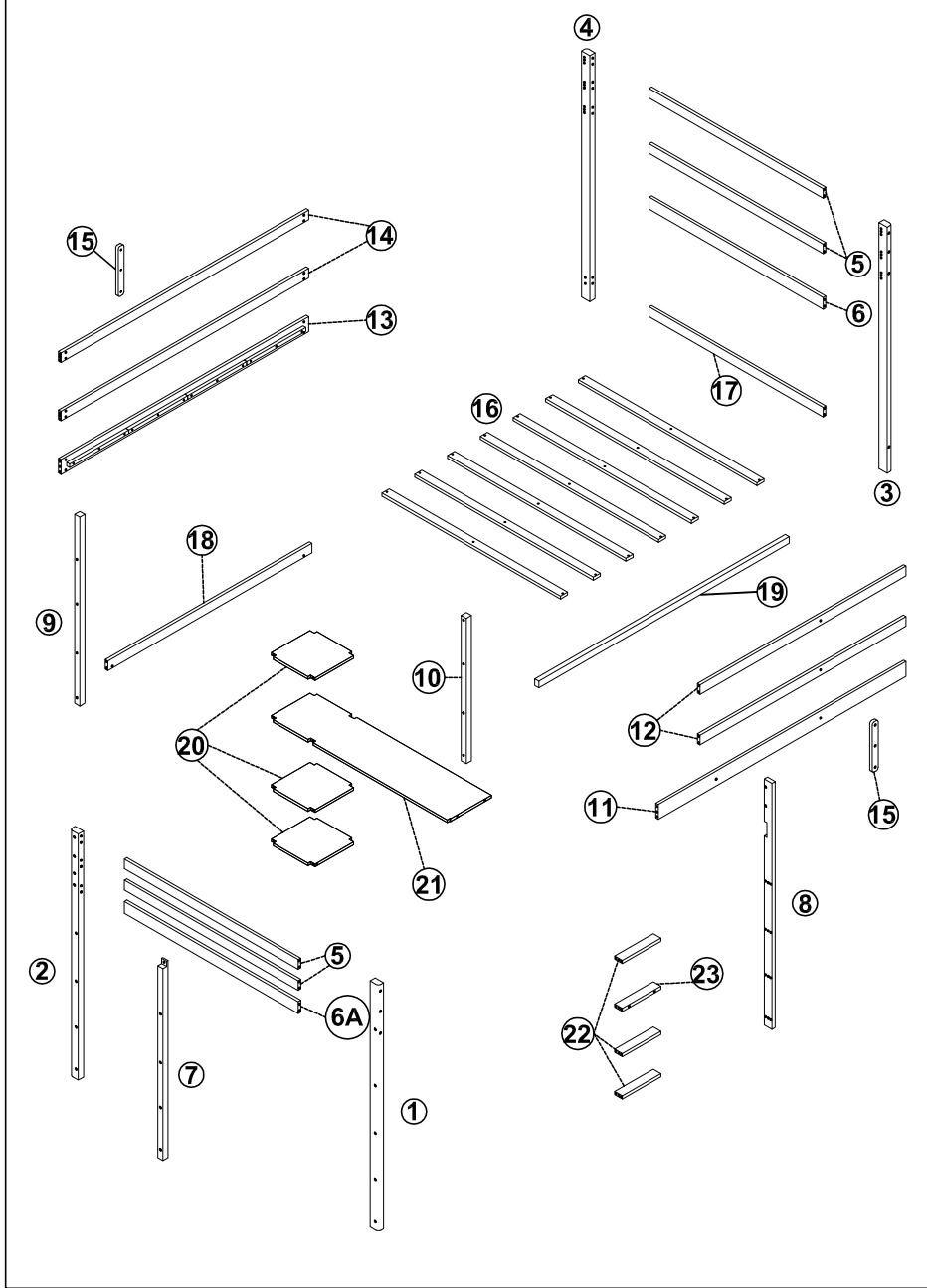
# ! SAFETY WARNINGS !

1. This bed is designed for use only mattress(es) meeting the following specifications on the upper bunk, and lower bunk:






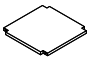




Bed type	Length	Width	Thickness
Twin Standard	74" - 75"	38 1/2"	6"
Full Standard	74" - 75"	53 1/2"	6"

2. Replacement parts, including additional guardrails, may be obtained from any of our ( GIGACLOUD TECHNOLOGY (USA) INC.) dealers
3. Follow the information on the warnings appearing on the upper bunk bed end structure and on the carton. Do not remove warning label from bed.
4. Always use the recommended size mattresses or mattress supports, or both, to help prevent the likelihood of entrapment or falls.
5. Surface of the mattress must be at least 5 in. (127 mm) below the upper edge of guardrails.
6. Do not allow children under 6 years of age to use the upper bunk.
7. Periodically check and ensure that the guardrail, ladder, and other components are in their proper position, free from damage, and that all connectors are tight.
8. Do not allow horseplay on or under the bed and prohibit jumping on the bed
9. Always use the ladder for entering and leaving the upper bunk.
10. Do not use substitute parts. Contact the manufacturer or dealer for replacement parts.
11. Use of a night light may provided added safety precaution for a child using the upper bunk.
12. Always use guardrails on both long sides of the upper bunk. If the bunk bed will be placed next to the wall, the guardrail that runs the full length of the bed should be placed against the wall to prevent entrapment between the bed and wall.
13. The use of water or sleep flotation mattresses is prohibited.
14. STRANGULATION HAZARD – Never attach or hang items to any part of the bunk bed that are not designed for use with the bed; for axample, but not limited, hook, belts and jump ropes.
15. Keep these instructions for future reference
16. Prohidit more than one person on upper bunk .
17. We recommend assembling your bunk bed on the shipping carton to protect your floor or carpet .
18. Be caertain all staples are out of the box before beginning assembly on the shipping carton .

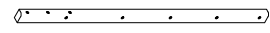




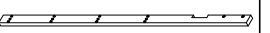

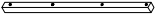
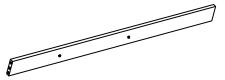
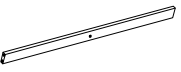




### Detail View



### Part List: WF289721

<b>5</b>  HB-FB horizontal - 4PCS	<b>6</b>  HB-FB horizontal - 1PC	<b>15</b>  Back vertical - 2 PCS
<b>16</b>  Slat - 7 PCS	<b>17</b>  HB horizontal (lower) - 1 PC	<b>20</b>  Adjustable panel - 3 PCS
<b>21</b>  Adjustable panel - 1 PC	<b>22</b>  Stairs support bar - 3 PCS	<b>23</b>  Stairs support bar - 1 PC
<b>6A</b>  HB-FB horizontal - 1PC		

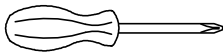
### Part List: WF289722

<b>1</b>  Front left leg - 1 PC	<b>2</b>  Back left leg - 1 PC	<b>3</b>  Front right leg - 1 PC
<b>4</b>  Back right leg - 1 PC	<b>7</b>  Middle left leg - 1 PC	<b>8</b>  Front middle leg - 1 PC
<b>9</b>  Back middle leg - 1 PC	<b>10</b>  Middle leg - 1 PC	<b>11</b>  Front side rail - 1 PC
<b>12</b>  Front horizontal - 2 PCS	<b>13</b>  Back side rail - 1 PC	<b>14</b>  Back horizontal (upper / middle ) - 2 PCS
<b>18</b>  Back horizontal (lower) - 1 PC	<b>19</b>  Middle horizontal - 1 PC	

# Hardware List: WF289722

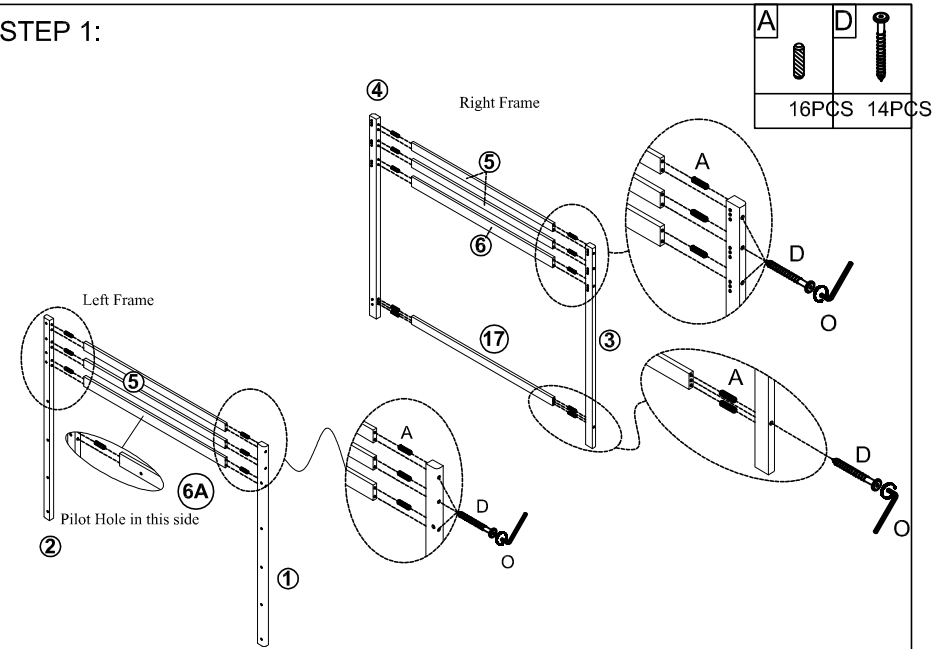
<b>A</b> Ø10*30mm Wood dowel (56pcs)	<b>B</b> Ø1/4**65mm Hex-Head bolt (2pcs)	<b>C</b> Ø1/4**80mm Hex-Head bolt (30pcs)
<b>D</b> Ø6**110mm Hex-Head screw (14pcs)	<b>E</b> Ø6**70 mm Hex-Head screw (5pcs)	<b>F</b> Ø6**50 mm Hex-Head screw (4pcs)
<b>G</b> Ø6*30mm Hex-Head screw (7pcs)	<b>H</b> Ø1/4*9mm Horizontal-Hole bolt (18pcs)	<b>I</b> Ø1/4*12mm Horizontal-Hole bolt (16pcs)
<b>J</b> 75*40*25mm U bracket (2pcs)	<b>K</b> #4*15mm Screw (12pcs)	<b>L</b> #4*30mm Screw (21pcs)
<b>O</b> K4mm Allen key (1pc)	<b>N</b> Ø1/4**100mm Hex-Head bolt (2pcs)	

ASSEMBLY TOOLS REQUIRED ( NOT INCLUDED )

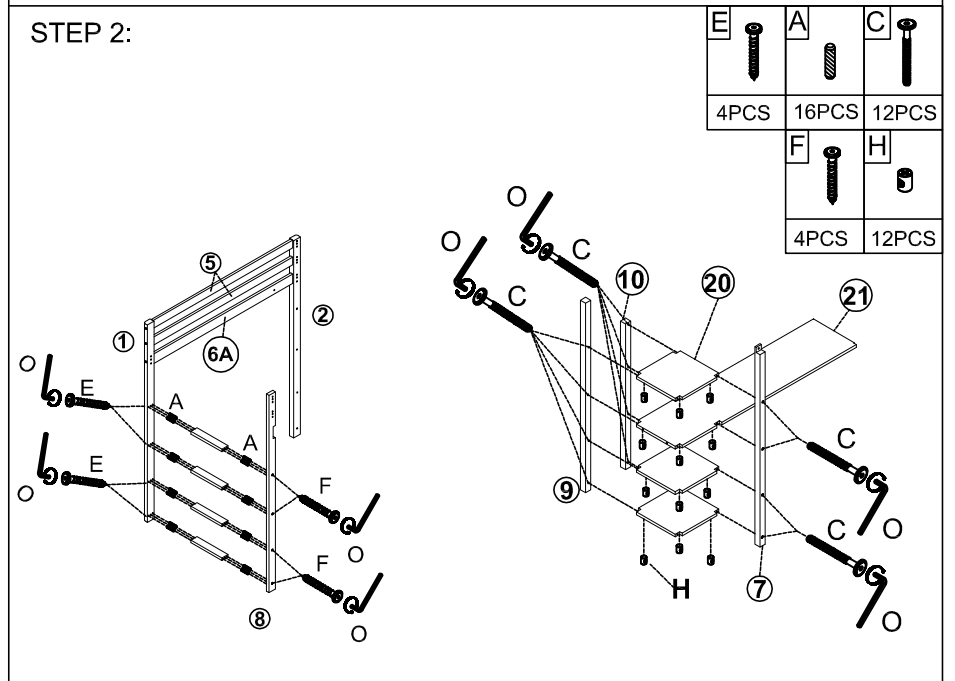


PLEASE BE CAREFUL DO NOT DAMAGE THE HOLE POSITION WHEN YOU USE POWER TOOLS !





## STEP 1:

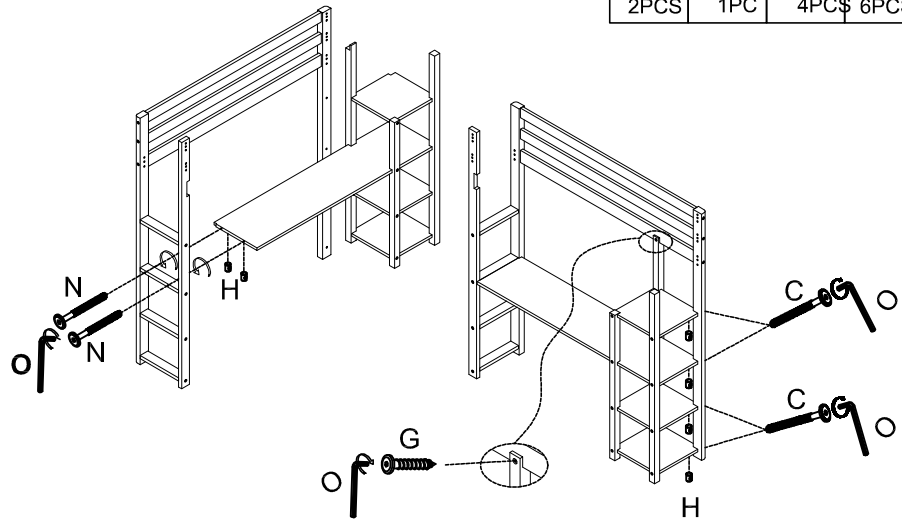


## STEP 2:







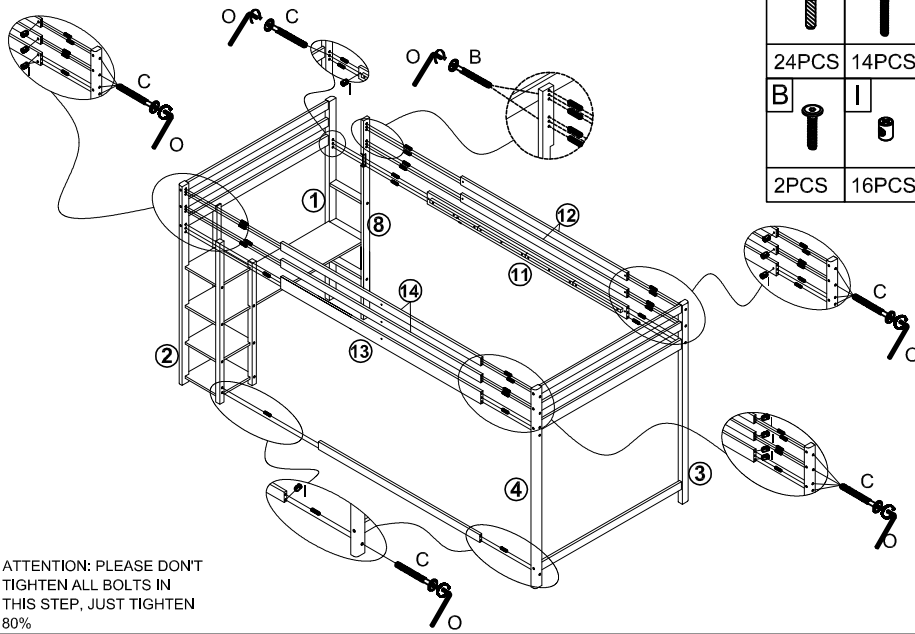
STEP 3:

N	G	C	H
			
2PCS	1PC	4PCS	6PCS



STEP 4:



A	C
	
24PCS	14PCS
B	I
	
2PCS	16PCS

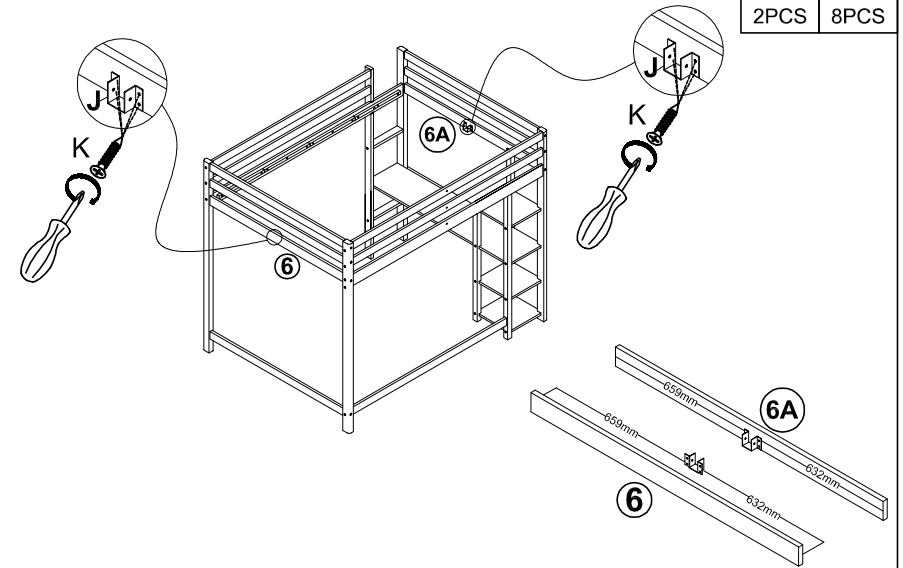


ATTENTION: PLEASE DON'T  
TIGHTEN ALL BOLTS IN  
THIS STEP, JUST TIGHTEN  
80%




7

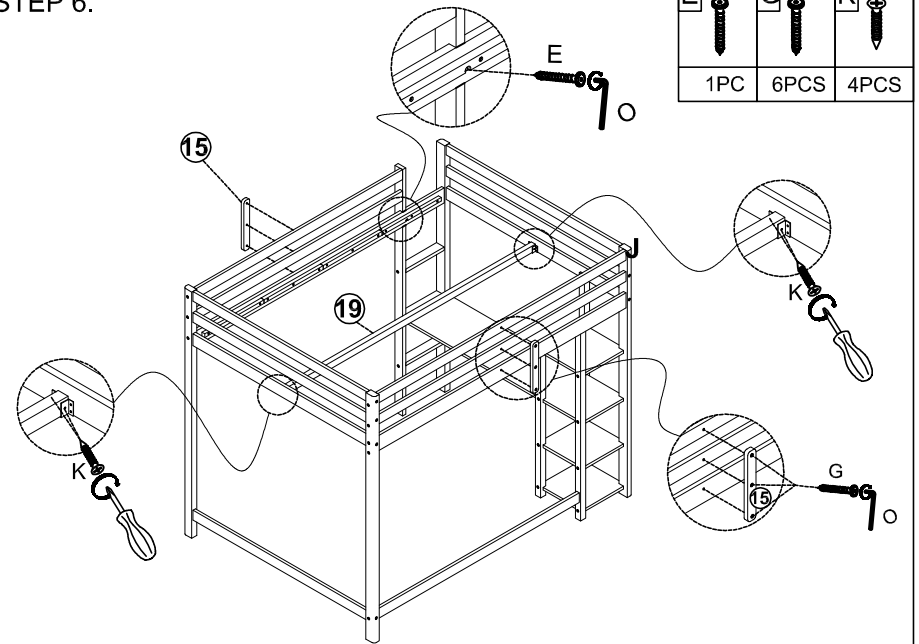
STEP 5:

J	K
	
2PCS	8PCS



STEP 6:

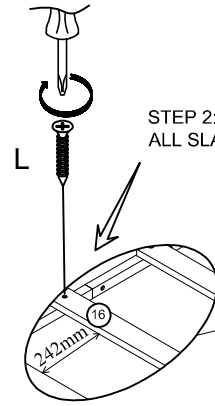
E	G	K
		
1PC	6PCS	4PCS



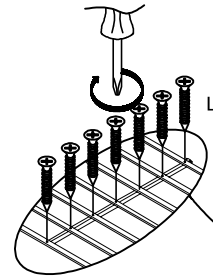
8

STEP 7:

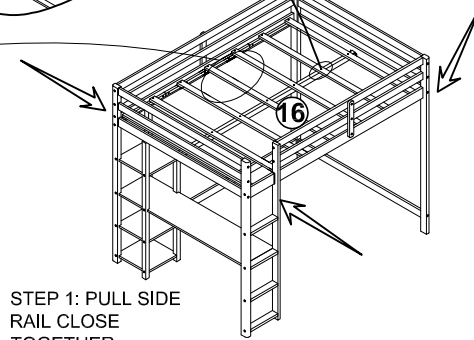
L  
21PCS



STEP 2: SCREW ALL SLATS



STEP 3: TIGHTEN 100% ALL HEXAGON BOLTS



STEP 1: PULL SIDE RAIL CLOSE TOGETHER ENOUGH TO FIT THE SLATS

**COMPLETED**

