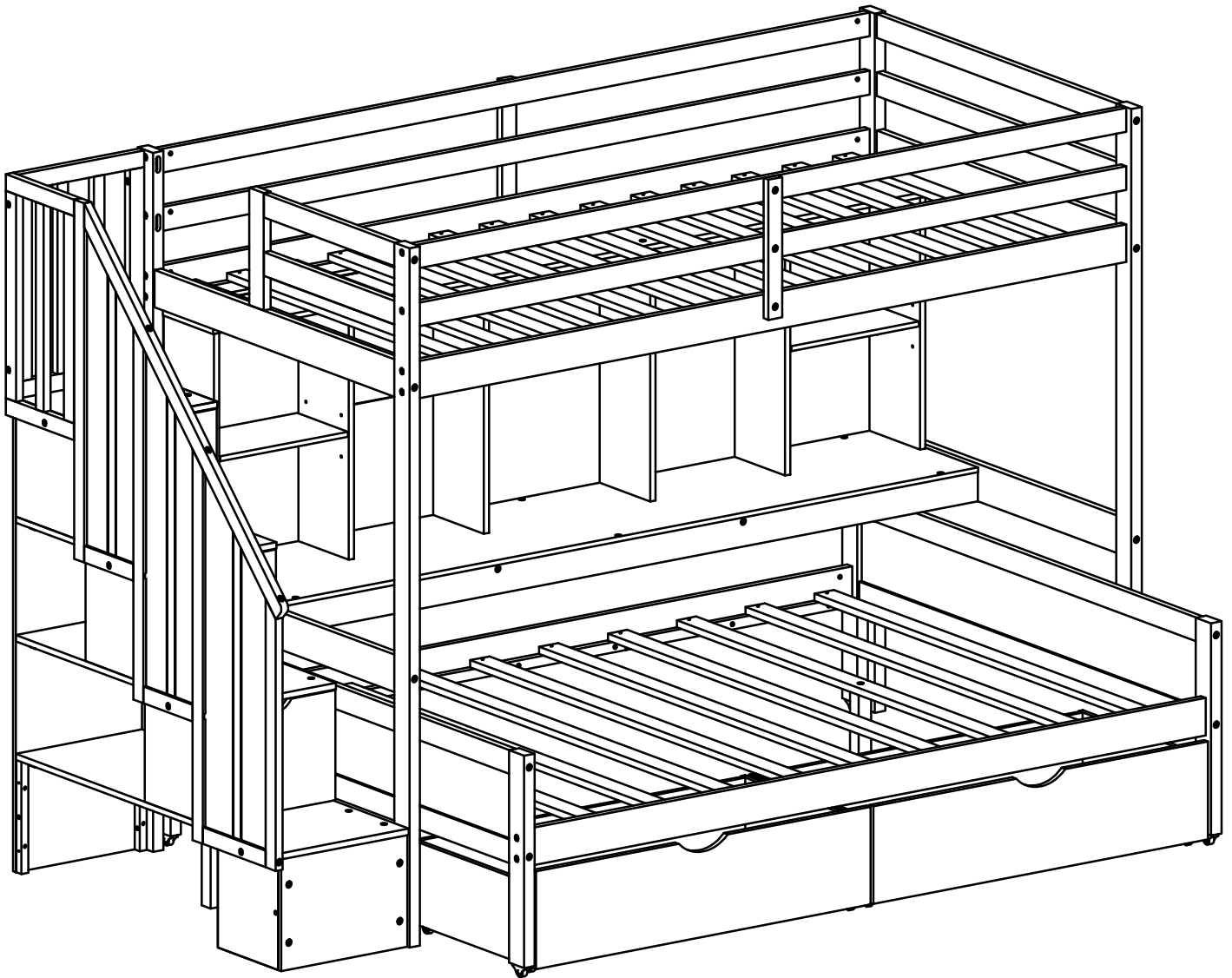


ASSEMBLY INSTRUCTION

SKU CODE: (WF296637-WF296638-WF296639)

This set included 3 boxex if do not receive full 3 boxex .Please contact our customer service team



! SAFETY WARNINGS !

1. This bed is designed for use only mattress (es) meeting the following specifications on the upper bunk, and lower bunk

Upper bed

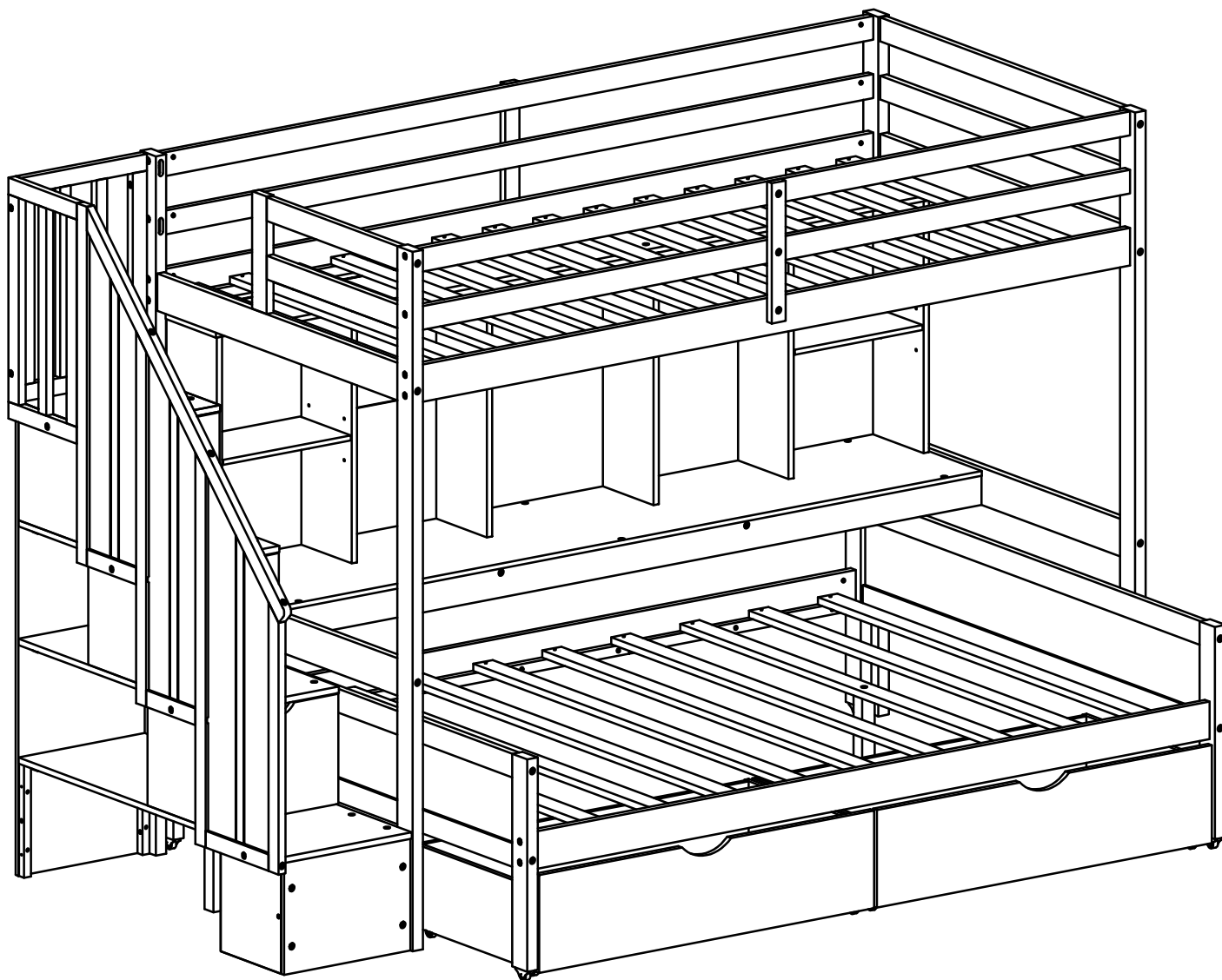
Bed Type	Length	Width	Thickness
<i>Twin XL Standard</i>	<i>79" - 80"</i>	<i>38 1/2"</i>	<i>6" max</i>

Lower bed

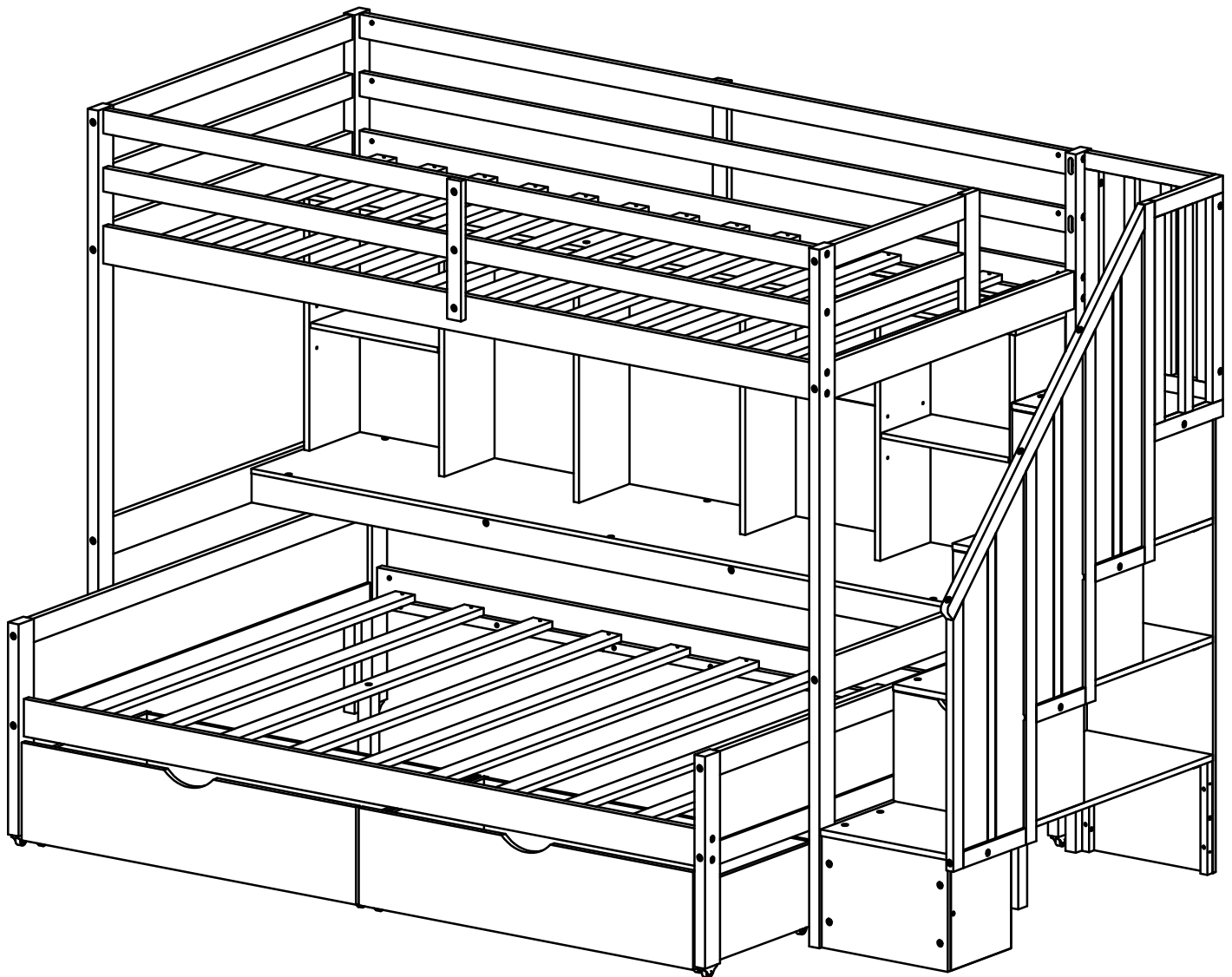
Bed Type	Length	Width	Thickness
<i>Full Standard</i>	<i>74" - 75"</i>	<i>53 1/2"</i>	<i>8" max</i>

2. Replacement parts, including additional guardrails, maybe obtained from any of our (GIGACLOUD TECHNOLOGY (USA) INC. 18961 ARENTH AVENUE CITY OF INDUSTRY, CA, 91748) dealers
3. Follow the information on the warnings appearing on the upper bunk bed end structure and on the carton. Do not remove warning label from bed
4. Always use the recommended size mattresses or mattress supports, or both, to help prevent the likelihood of entrapment or falls.
5. Surface of mattress must be at least 5" (127mm) below the upper edge of guardrails
6. Do not allow children under 6 years of age to use the upper bunk.
7. Periodically check and ensure that the guardrail, ladder, and other components are in their proper position, free from damage, and that all connectors are tight.
8. Do not allow horseplay on or under the bed and prohibit jumping on the bed.
9. Always use the ladder for entering and leaving the upper bunkAlways use the ladder for entering and leaving the upper bunk.
10. Do not use substitute part. Contact the manufacture or dealer for replacement part
11. Use of a night light may provide added safety precaution for a child using the upper bunk..
12. Always use guardrails on both long sides of the upper bunk. If the bunk bed will be placed next to the wall, the guardrail that runs the full length of the bed should be placed against the wall to prevent entrapment between the bed and wall.
13. The use of water or sleep flotation mattresses is prohibited
14. **STRANGULATION HAZARD** - Never attach or hang items to any part of the bunk bed that are not designed for use with the bed; for example, but not limited to, hook, belts and jump ropes
15. Keep these instruction for future reference
16. Prohibit more than one person on upper bunk
17. We recommend assembling your bunk bed on the shipping carton to protect your floor or carpet
18. Be certain all staples are out of the box before beginning assembly on the shipping carton.

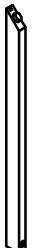
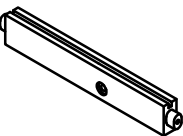


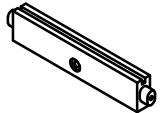
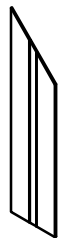



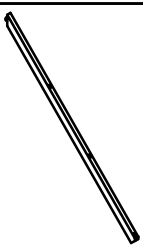
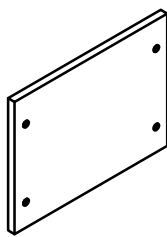
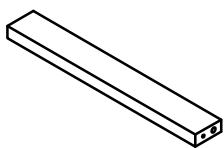
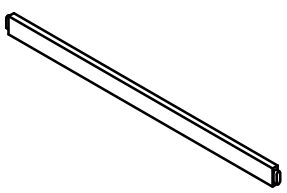
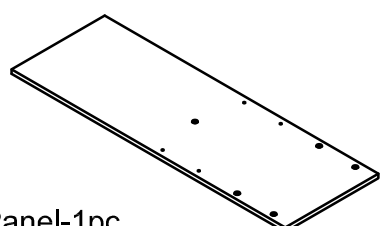
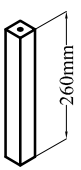
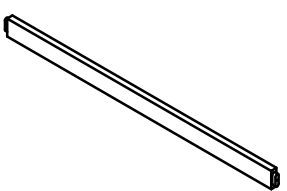
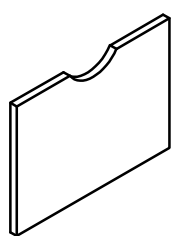
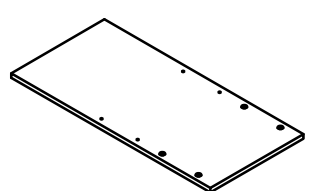
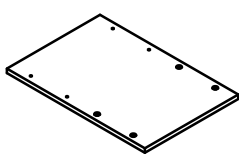
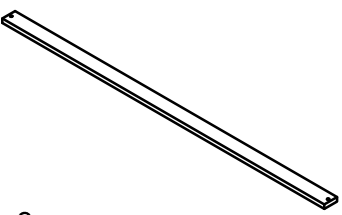
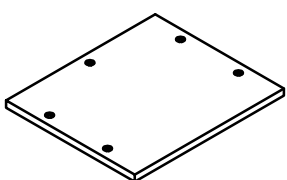
OPTION 1: STAIR IN LEFT



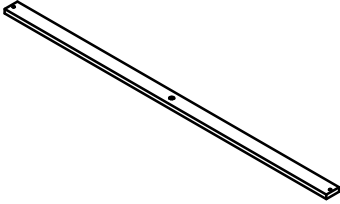
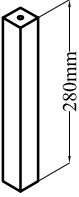
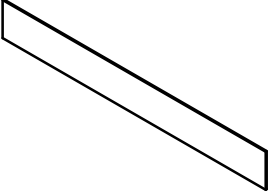
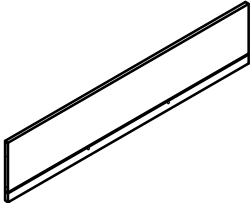
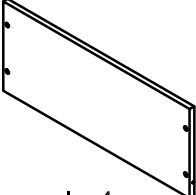
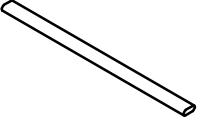

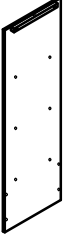
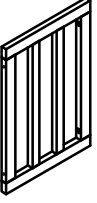
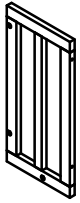
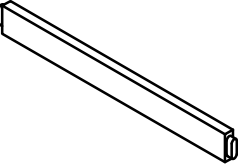
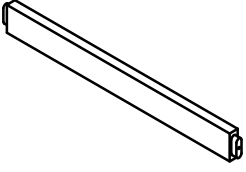


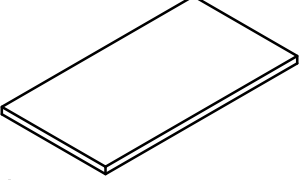
OPTION 2: STAIR IN RIGHT



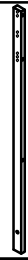

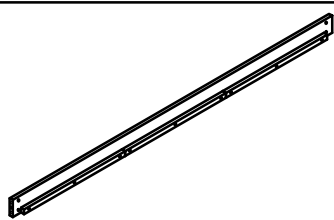


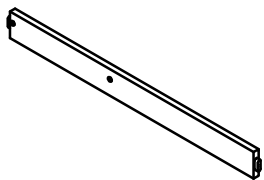
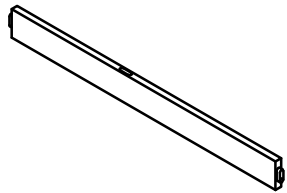
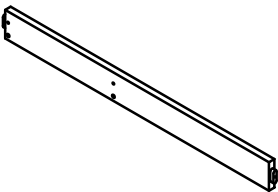
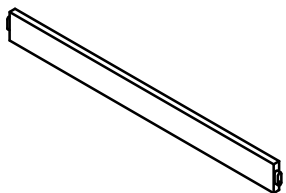
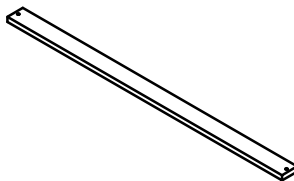
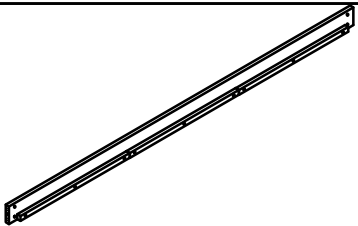


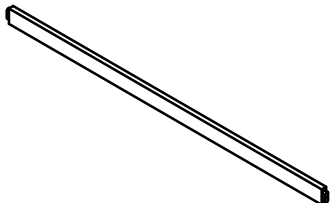
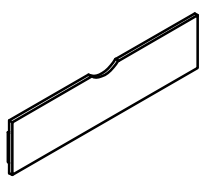
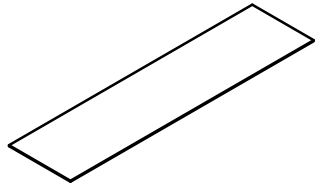
Part List (Box 1-WF296637)

<p>A1</p>  <p>WoodBar-1pc</p>	<p>A2</p>  <p>WoodBar-1pc</p>	<p>A3</p>  <p>Panel-1pc</p>
<p>A4</p>  <p>WoodBar-1pc</p>	<p>A5</p>  <p>WoodBar-2pcs</p>	<p>A6</p>  <p>Panel-1pc</p>
<p>A7</p>  <p>WoodBar-1pc</p>	<p>A8</p>  <p>Panel-1pc</p>	<p>A9</p>  <p>WoodBar-1pc</p>
<p>B1</p>  <p>WoodBar-1pc</p>	<p>B2</p>  <p>Panel-1pc</p>	<p>E7</p>  <p>WoodBar-2pcs</p>
<p>F3</p>  <p>WoodBar-1pc</p>	<p>B5</p>  <p>Panel-1pc</p>	<p>B6</p>  <p>WoodBar-1pc</p>
<p>F4</p>  <p>WoodBar-1pc</p>	<p>B8</p>  <p>Panel- 3pcs</p>	<p>B9</p>  <p>Panel-1pc</p>
<p>C1</p>  <p>Panel-1pc</p>	<p>F6</p>  <p>Slats-8pcs</p>	<p>C3</p>  <p>Panel-1pc</p>

Part List (Box 1-WF296637)

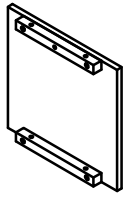
<p>F7</p>  <p>Slats-2pcs</p>	<p>F8</p>  <p>WoodBar-2pcs</p>	<p>F9</p>  <p>Panel-2pc</p>
<p>G6</p>  <p>Drawer Rear-2pcs</p>	<p>G7</p>  <p>Drawer panels-4pcs</p>	<p>G8</p>  <p>WoodBar-4pcs</p>
<p>G9</p>  <p>WoodBar-1pc</p>	<p>C4</p>  <p>Panel-1pc</p>	<p>C5</p>  <p>Stair railing above-1pc</p>
<p>C6</p>  <p>Stair railing above-1pc</p>	<p>D2</p>  <p>WoodBar-1pc</p>	<p>D3</p>  <p>WoodBar-1pc</p>
<p>D4</p>  <p>WoodBar-1pc</p>	<p>D6</p>  <p>WoodBar-2pcs</p>	<p>E4</p>  <p>Panel- 2pcs</p>

Part List & Hardware List (Box 2-WF296638)

<p>E8</p>  <p>Leg-1pc</p>	<p>E9</p>  <p>Leg-1pc</p>	<p>F5</p>  <p>Side Rail-2pcs</p>
<p>C7</p>  <p>Leg-1pc</p>	<p>C8</p>  <p>Leg-1pc</p>	<p>C9</p>  <p>WoodBar-1pc</p>
<p>D1</p>  <p>WoodBar-1pc</p>	<p>F1</p>  <p>WoodBar-1pc</p>	<p>F2</p>  <p>WoodBar-1pc</p>
	<p>D5</p>  <p>Slats-14pcs</p>	<p>D8</p>  <p>Side Rail-2pcs</p>
<p>G1</p>  <p>Leg-2pcs</p>	<p>G2</p>  <p>Leg-2pcs</p>	<p>G3</p>  <p>WoodBar-4pcs</p>
<p>G4</p>  <p>Drawer front panels-2pcs</p>	<p>G5</p>  <p>Drawer Bottom Panels-4pcs</p>	

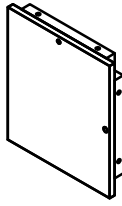
Part List (Box 3-WF296639)

C2



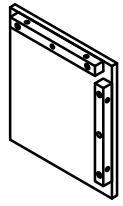
Panel- 2pcs

B3



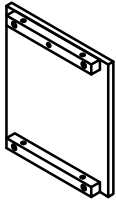
Panel-1pc

B4



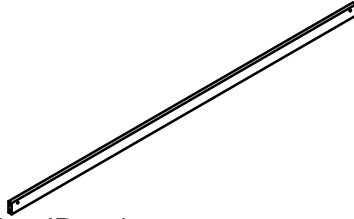
Panel-1pc

B7



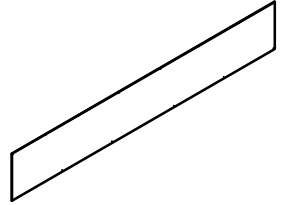
Panel- 4pcs

D7



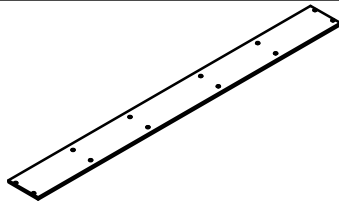
WoodBar-4pcs

D9



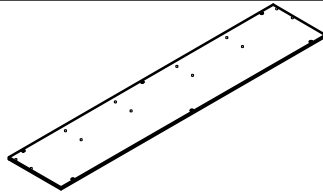
Panel- 2pcs

E1



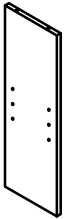
Panel-1pc

E2



Panel-1pc

E3



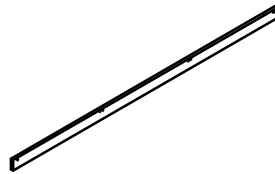
Panel- 4pcs

E5



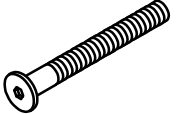
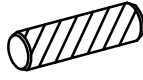







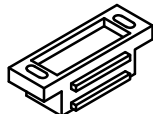
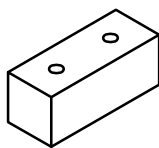
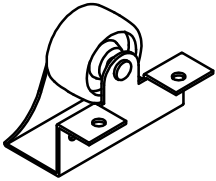
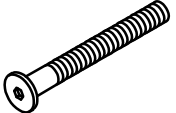


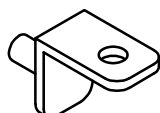
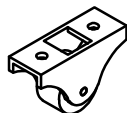




Panel- 2pcs

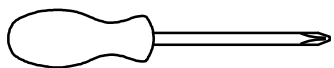
E6



WoodBar-2pcs

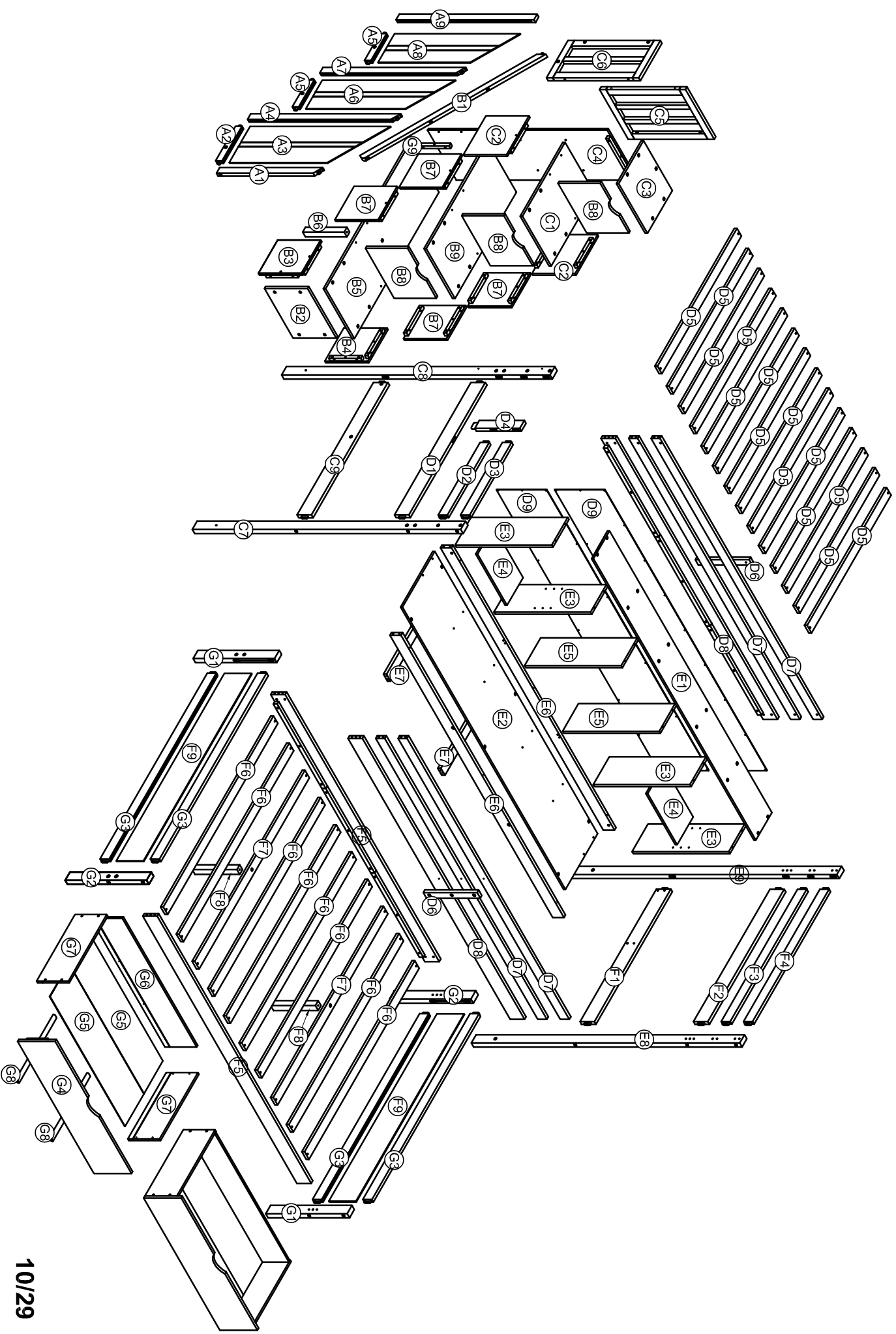
Hardware List (Box 2-WF296638)

<p>1</p>  <p>Ø1/4" x 70 mm Hex-Head bolts 28pcs</p>	<p>2</p>  <p>Ø10 x 40 mm Wood dowel 20pcs</p>	<p>3</p>  <p>Screws 1/4" x80 21pcs</p>
<p>4</p>  <p>Ø1/4" x 13 mm Horizontal-Hole bolts 34pcs</p>	<p>5</p>  <p>Screws 1/4" x30 49pcs</p>	<p>6</p>  <p>M4 x 30 mm Wood Screws 76pcs</p>
<p>7</p>  <p>Ø1/4" x 30 mm Hex-Head bolts 27pcs</p>	<p>8</p>  <p>M3 x 12 mm Wood Screws 18pcs</p>	<p>9</p>  <p>M3.5 x 15 mm Wood Screws 8pcs</p>
<p>10</p>  <p>6pcs</p>	<p>11</p>  <p>Bottom Rail-4pcs</p>	<p>12</p>  <p>Wheels 8pcs</p>
<p>13</p>  <p>Ø1/4" x 50 mm Hex-Head bolts 6pcs</p>	<p>14</p>  <p>Allen Key 1pc</p>	<p>15</p>  <p>Ø8 x 30 mm Wood dowel 4pcs</p>
<p>16</p>  <p>8pcs</p>	<p>17</p>  <p>Wheels 4pcs</p>	<p>18</p>  <p>Screws 1/4" x50 21pcs</p>
<p>19</p>  <p>Screws 1/4" x60 5pcs</p>	<p>20</p>  <p>M4 x 15 mm Wood Screws 40pcs</p>	<p>21</p>  <p>M3.5 x 12 mm Wood Screws 32pcs</p>



Assembly Tools Required (Not Included)

ASSEMBLY INSTRUCTION

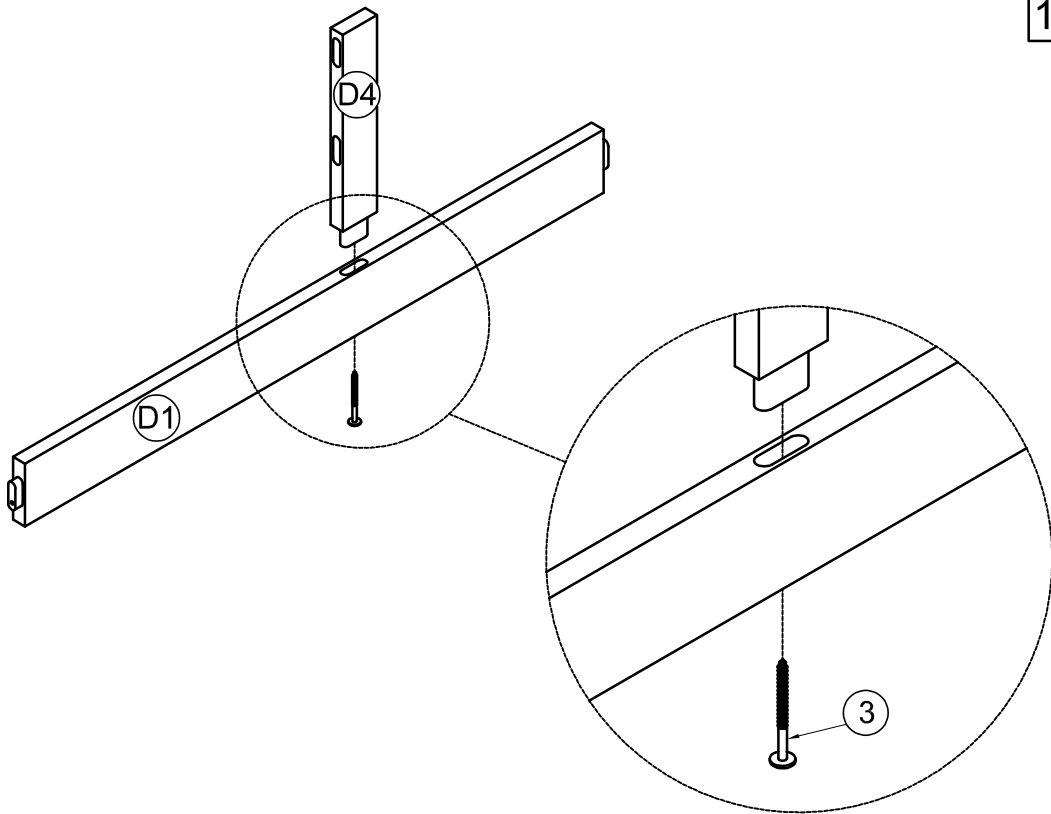


STEP1: Following below illustration.

3



1(pc)



STEP2: Following below illustration.

15

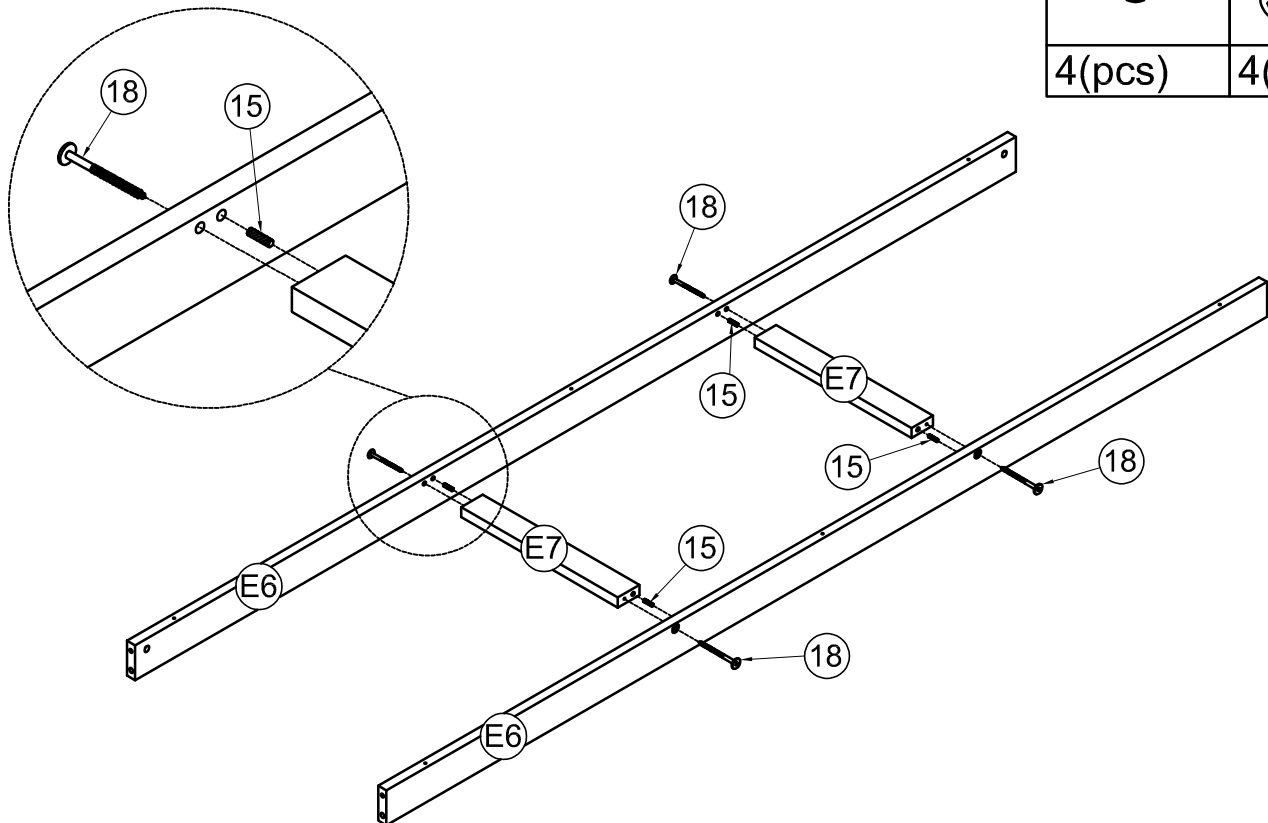


4(pcs)

18



4(pcs)

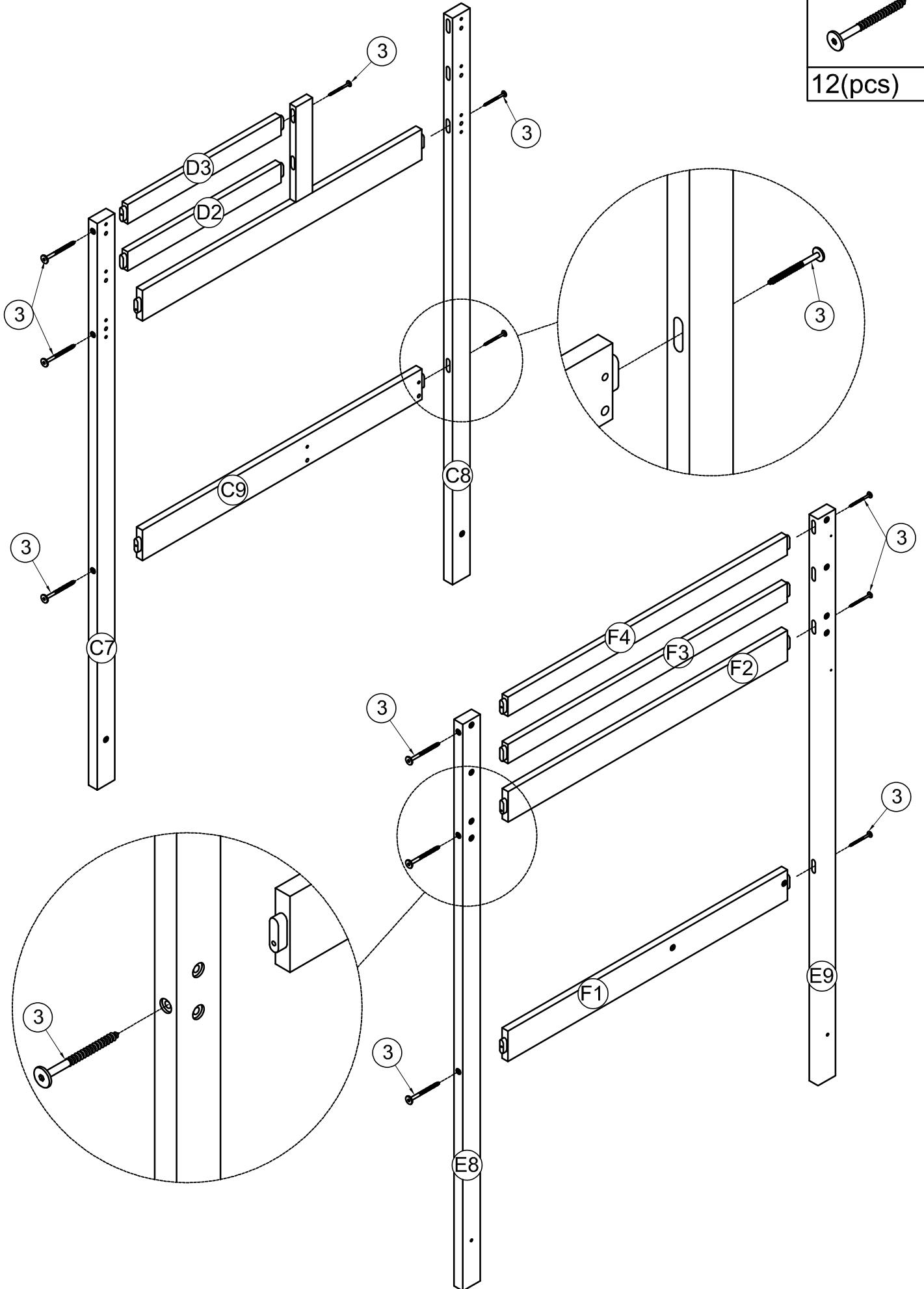


STEP3: Following below illustration.


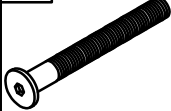


3

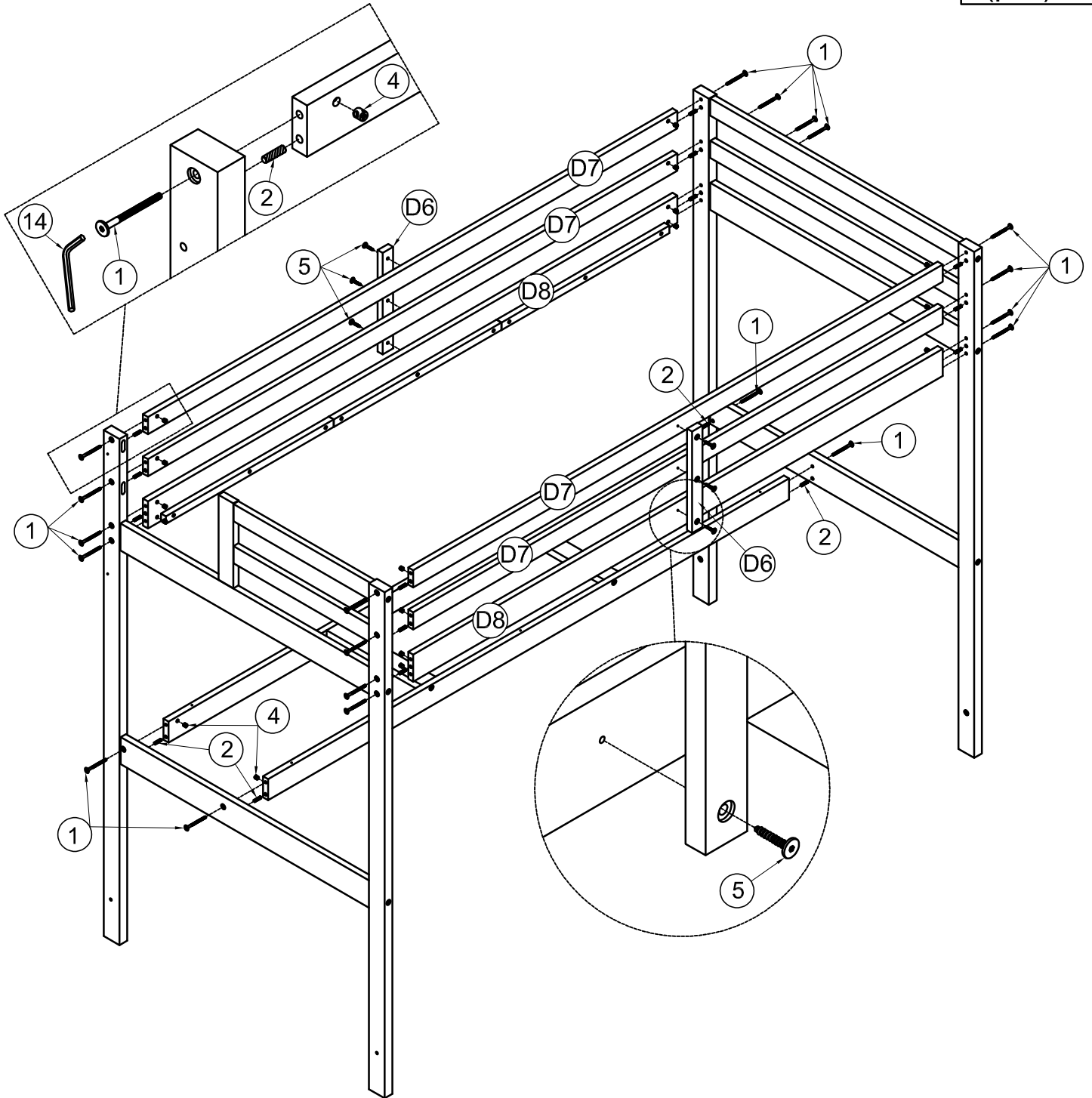


12(pcs)



STEP4: Following below illustration.

4		1		2	
20(pcs)		20(pcs)		16(pcs)	
				5	
				6(pcs)	

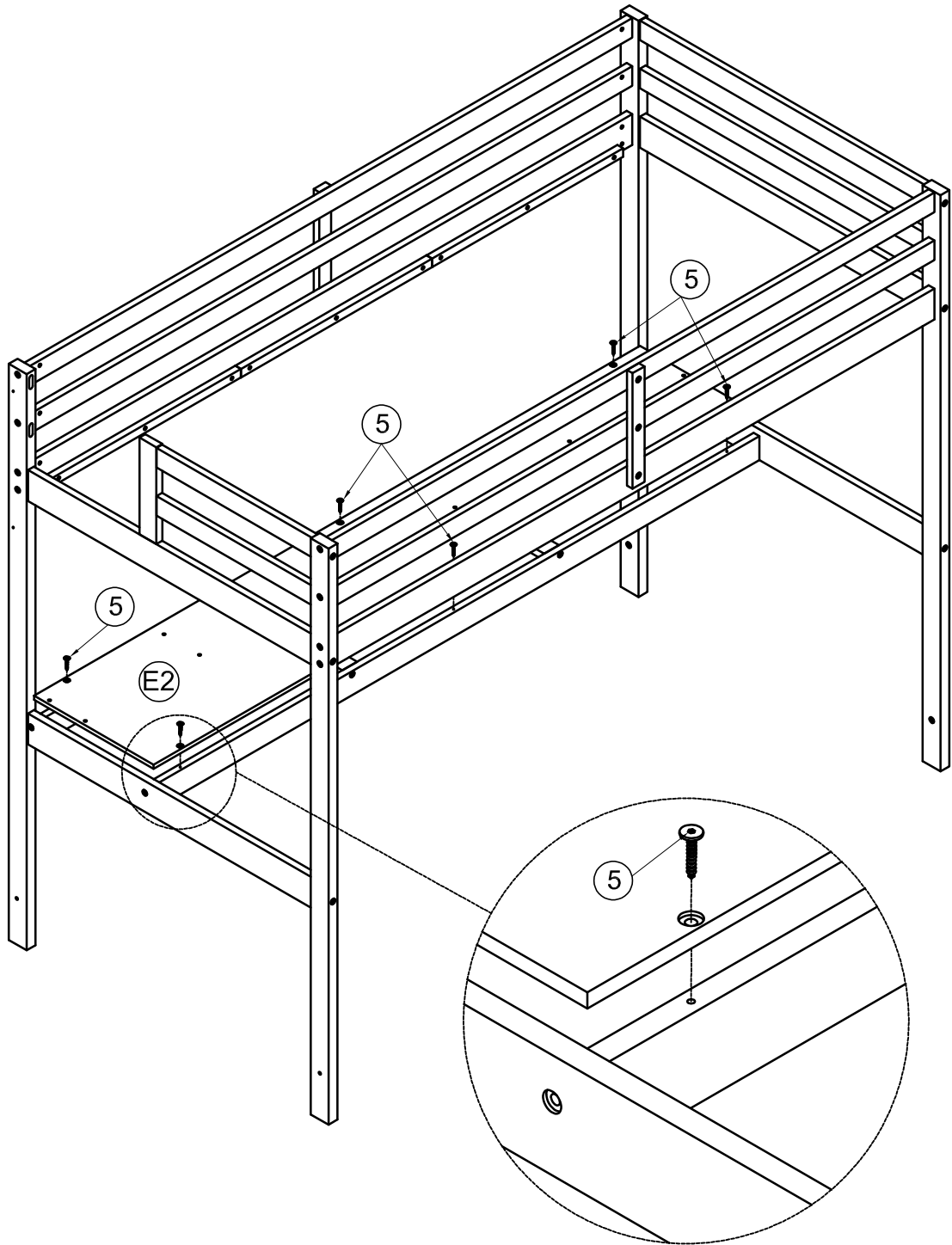


STEP5: Following below illustration.

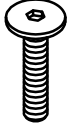
5

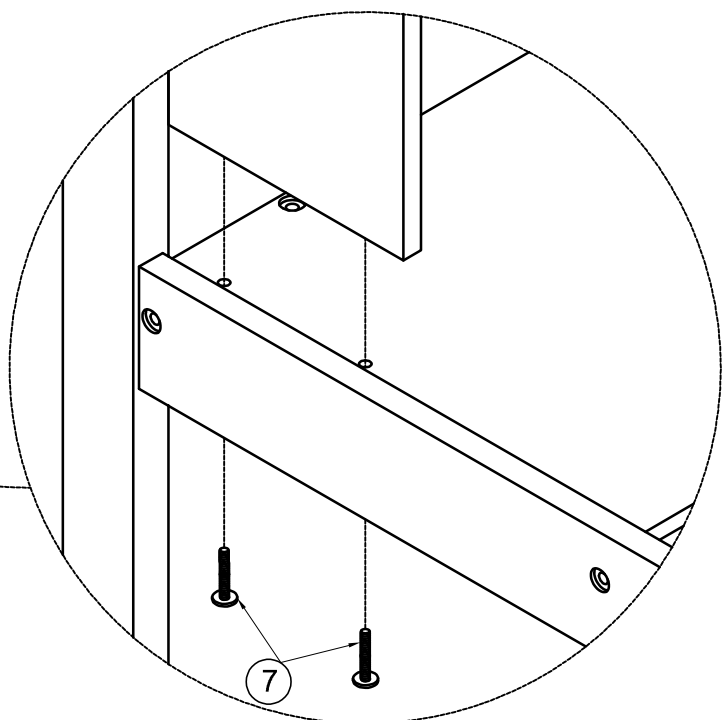
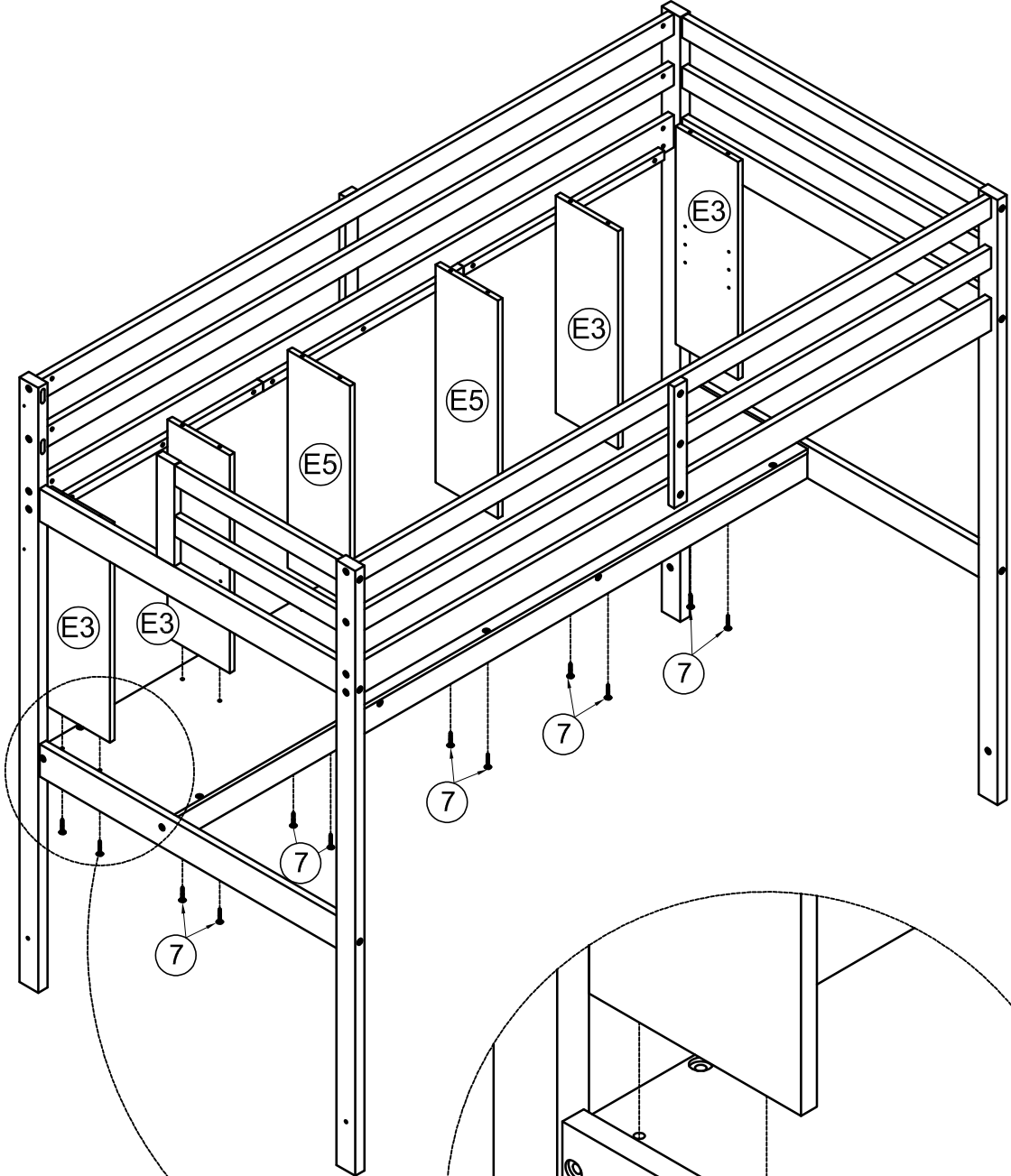


6(pcs)



STEP6: Following below illustration.

7	
12(pcs)	

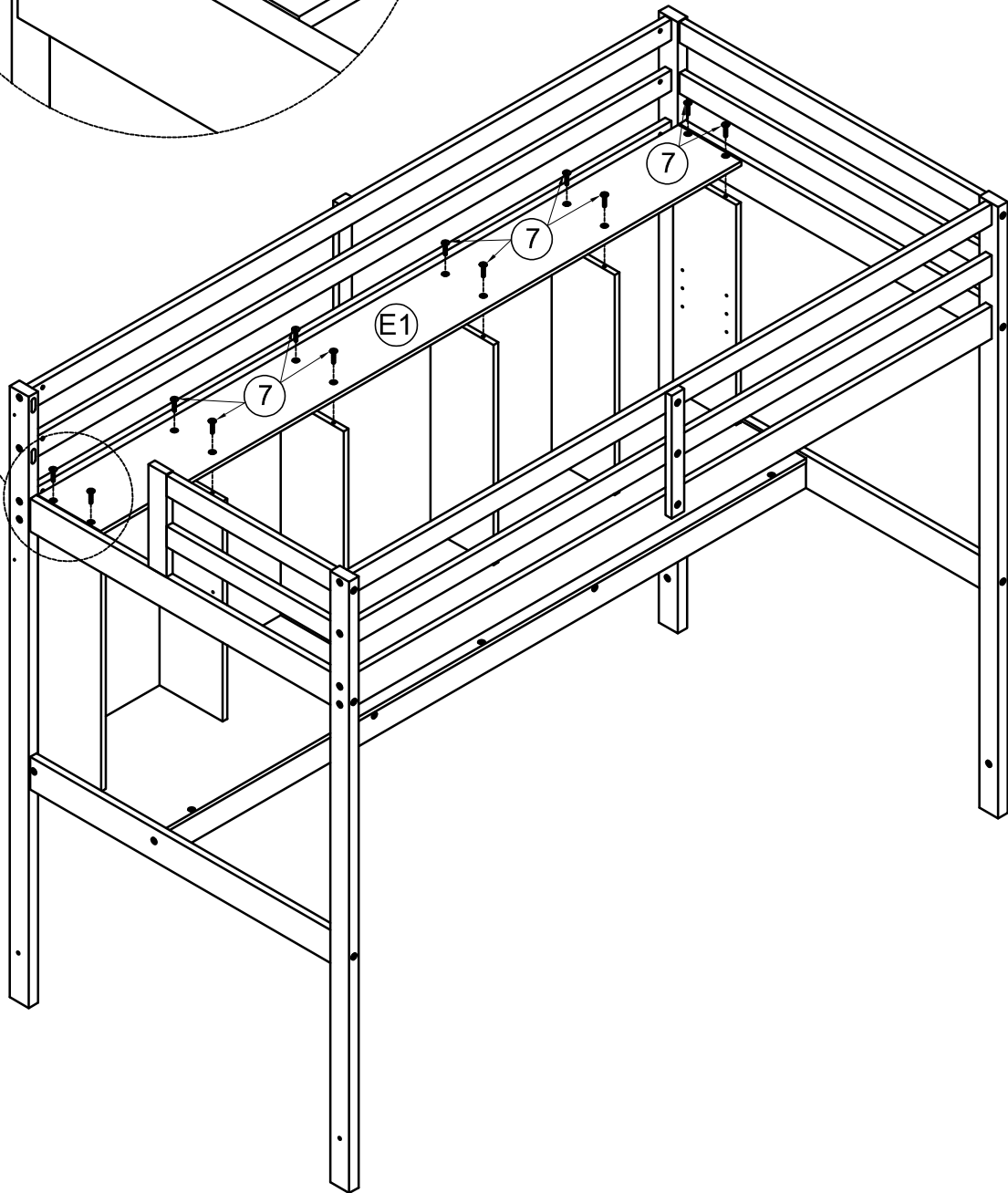
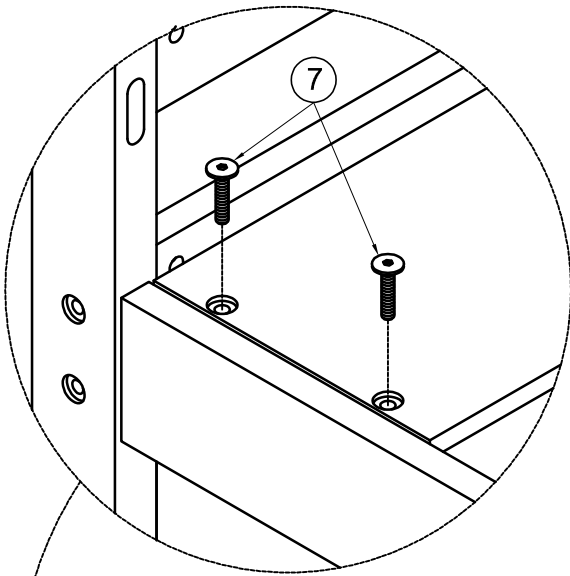


STEP 7: Following below illustration.



7

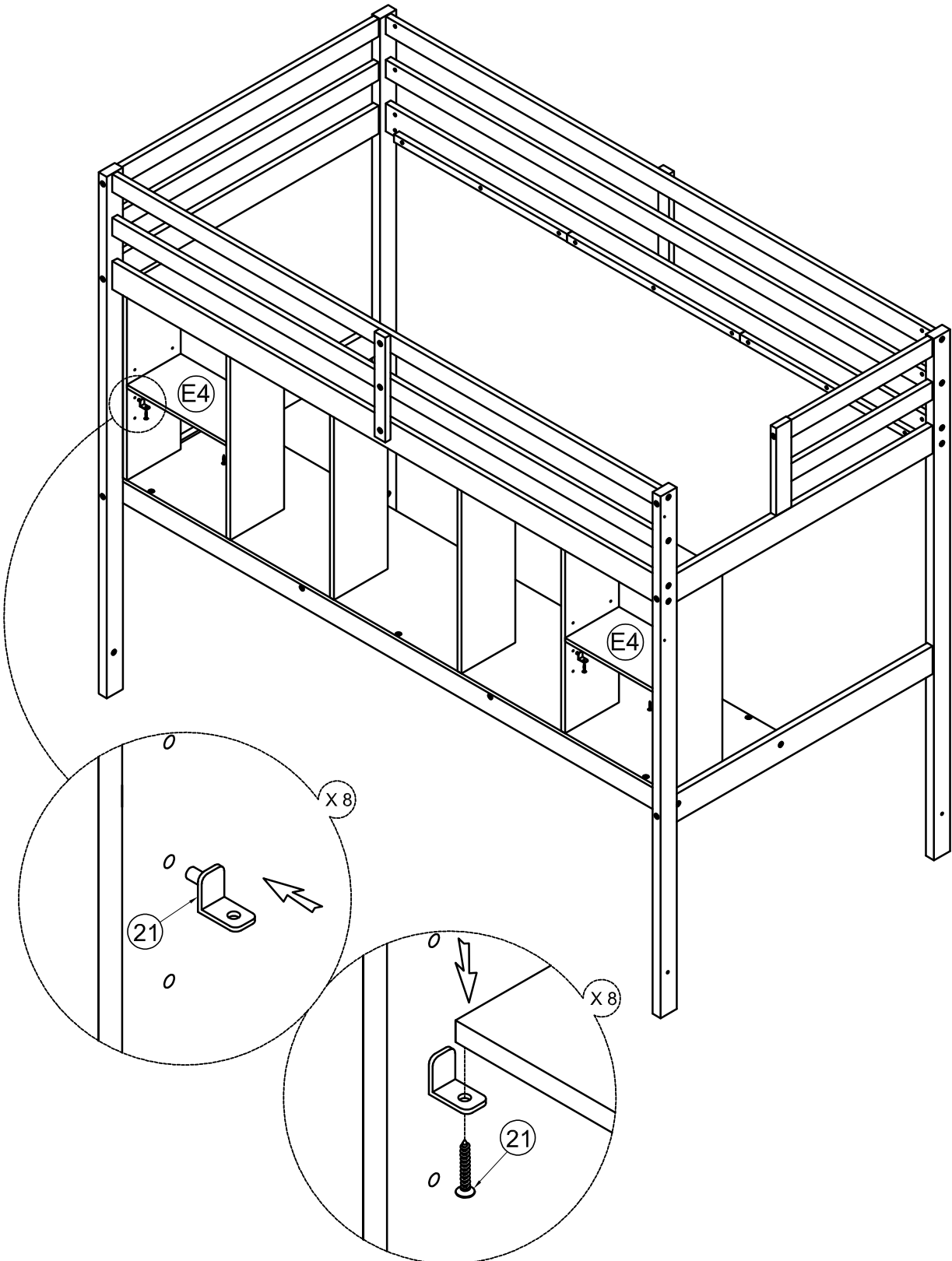


12(pcs)



STEP8: Following below illustration.

16	21
	
8(pcs)	8(pcs)

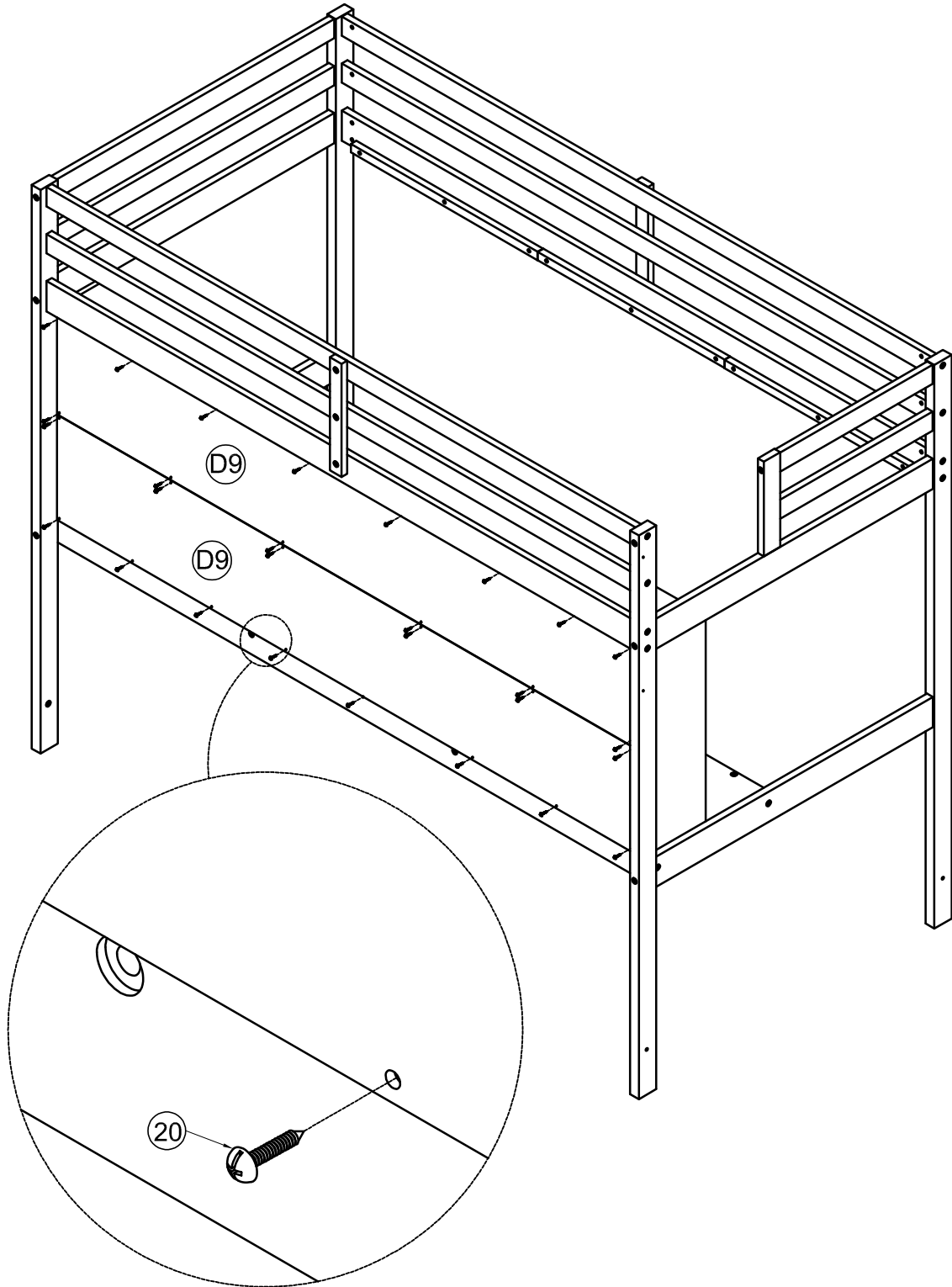


STEP9: Following below illustration.

20



28(pcs)

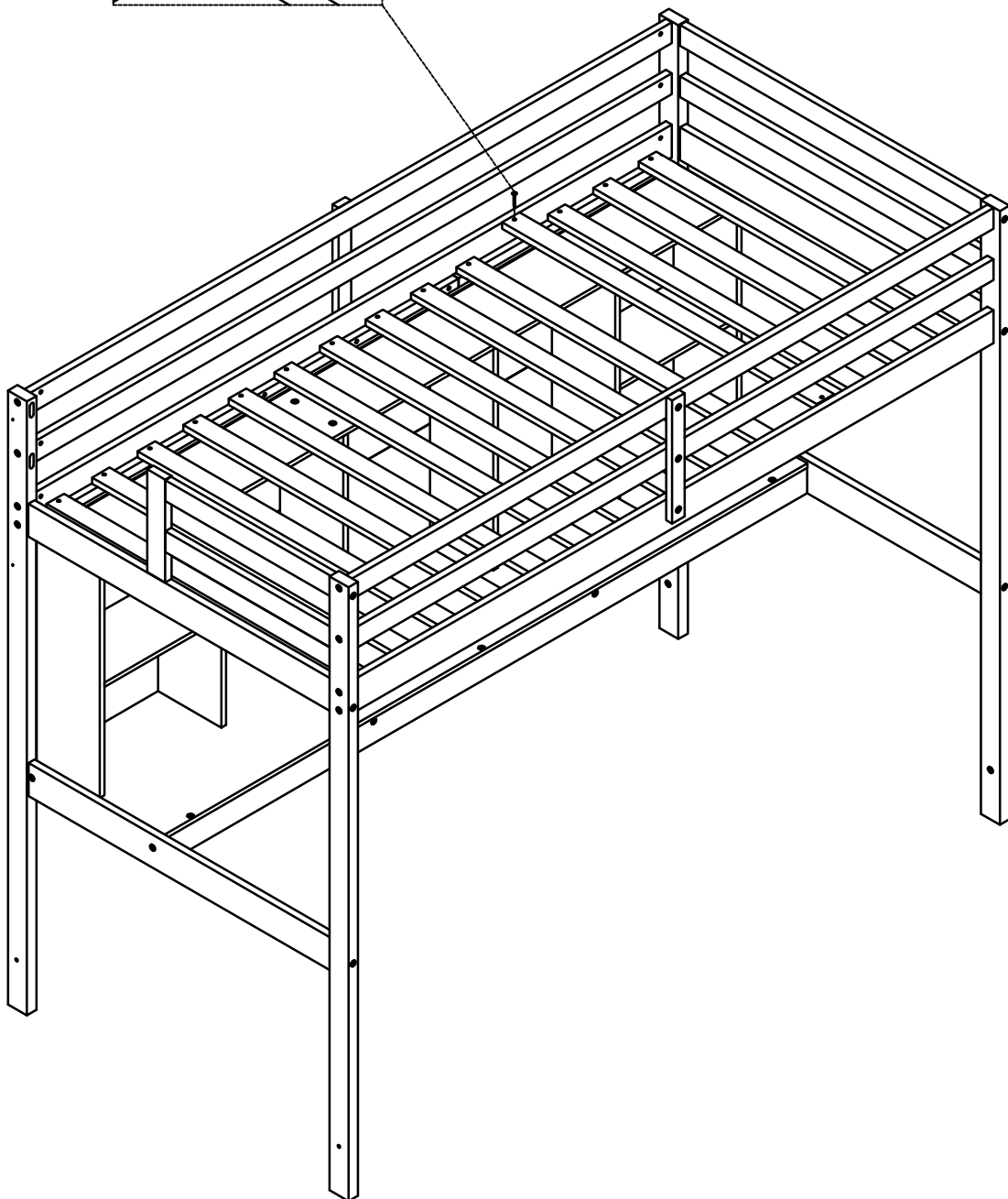
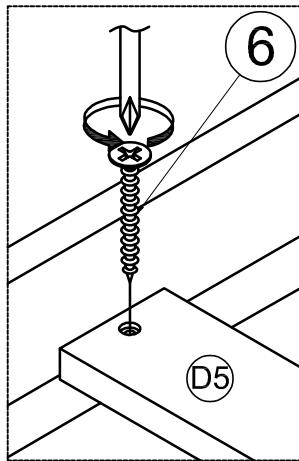


STEP10: Following below illustration.

6



28(pcs)

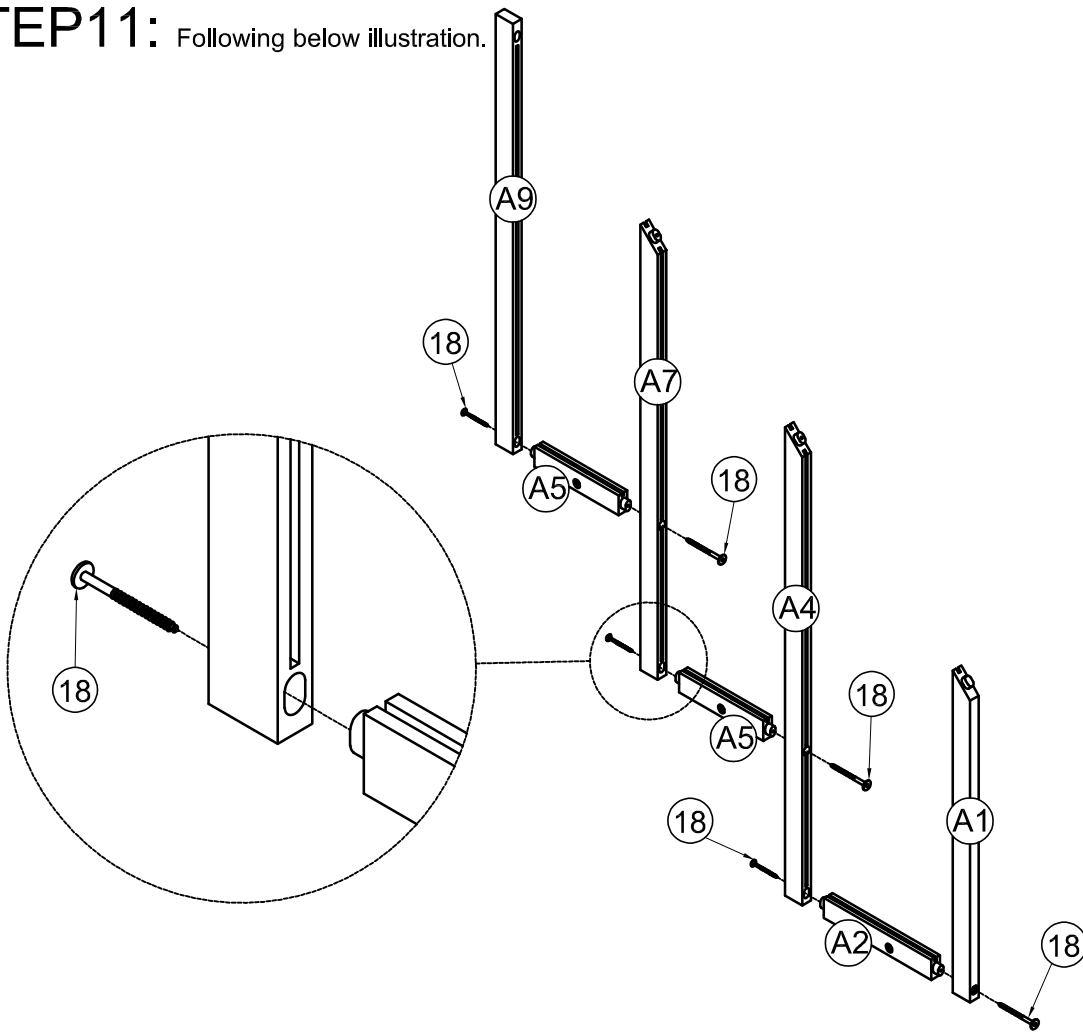


STEP11: Following below illustration.

18



6(pcs)

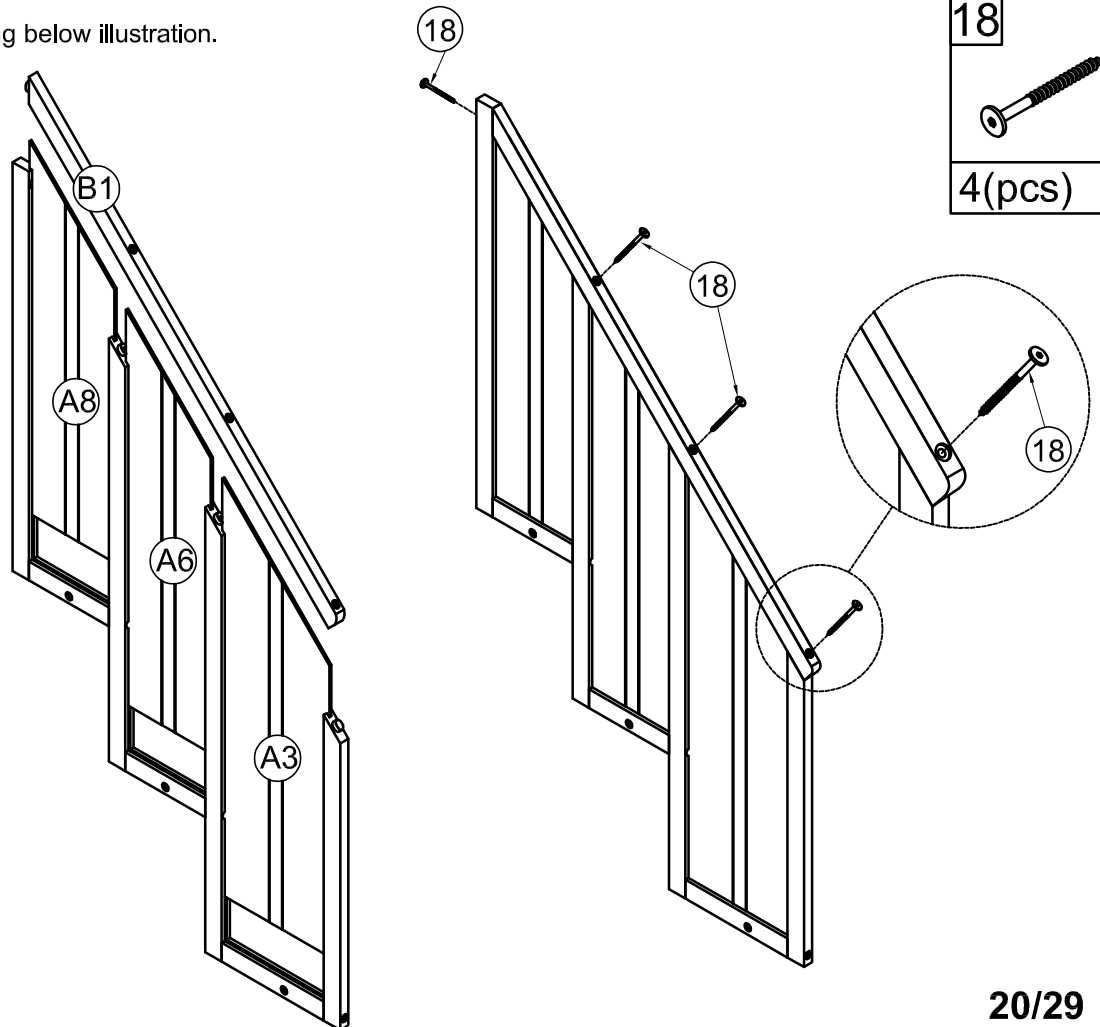


STEP12: Following below illustration.


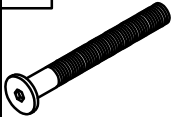

18

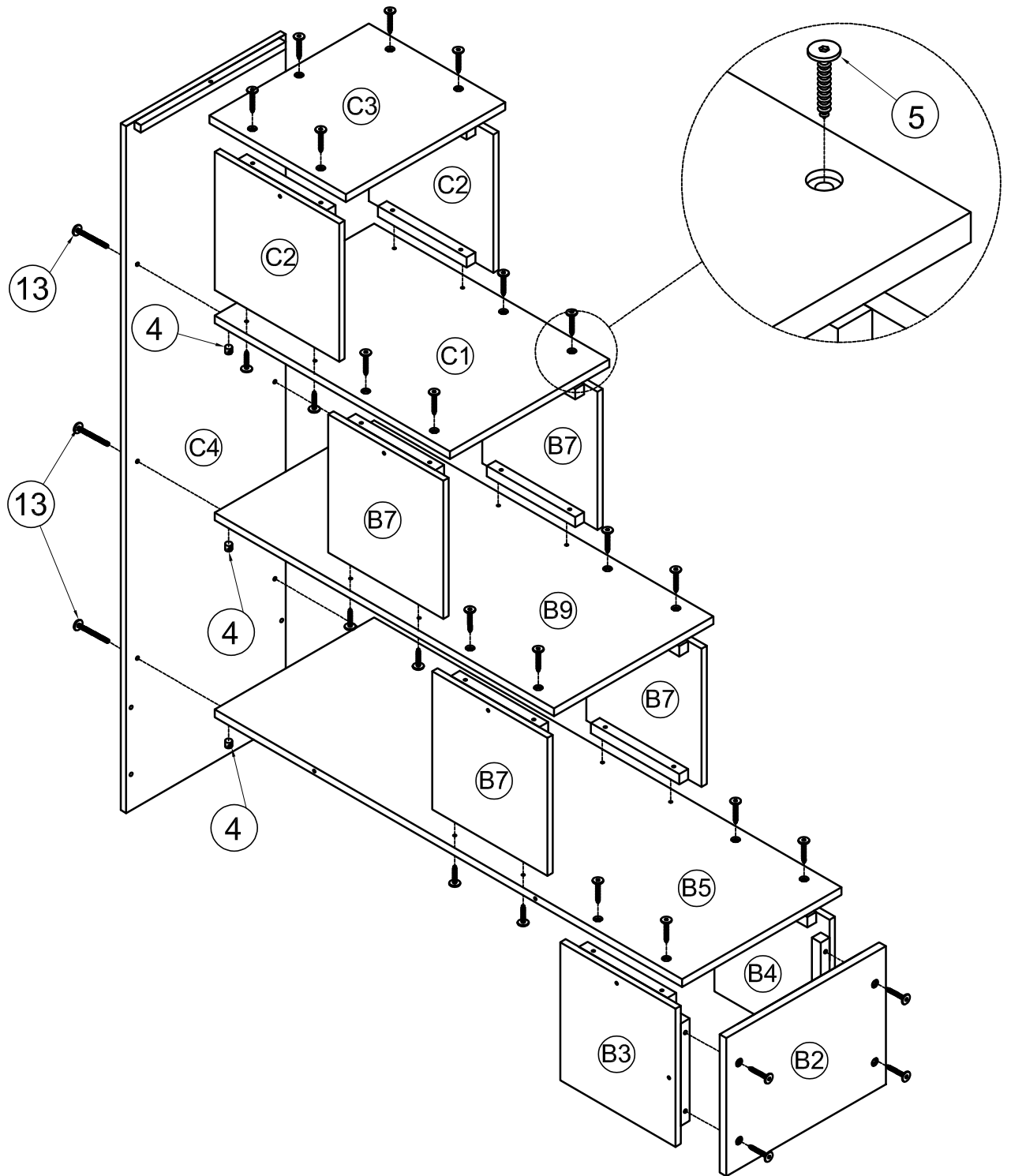


4(pcs)

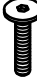





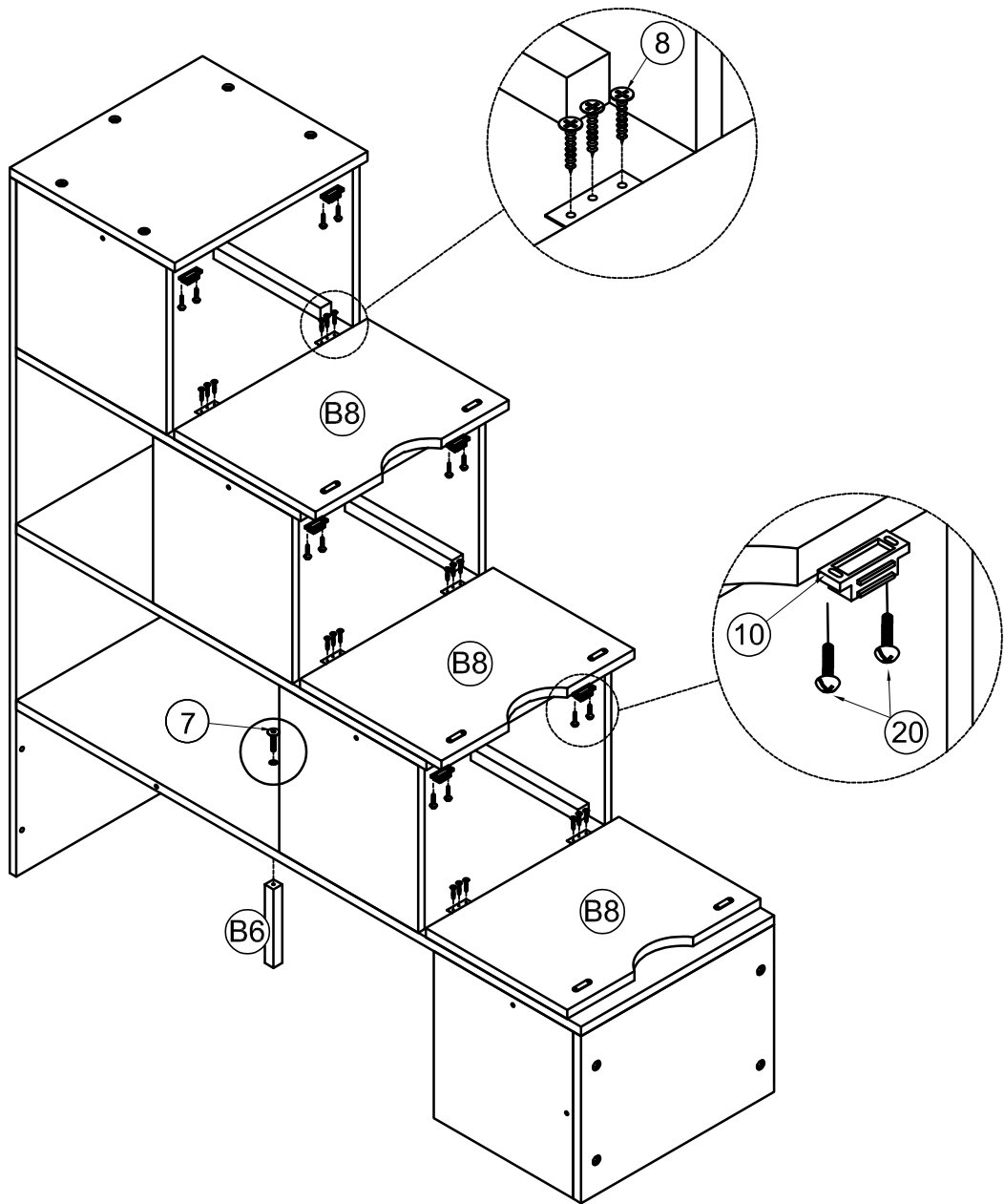
STEP13: Following below illustration.

4		13		5	
6(pcs)		6(pcs)		33(pcs)	





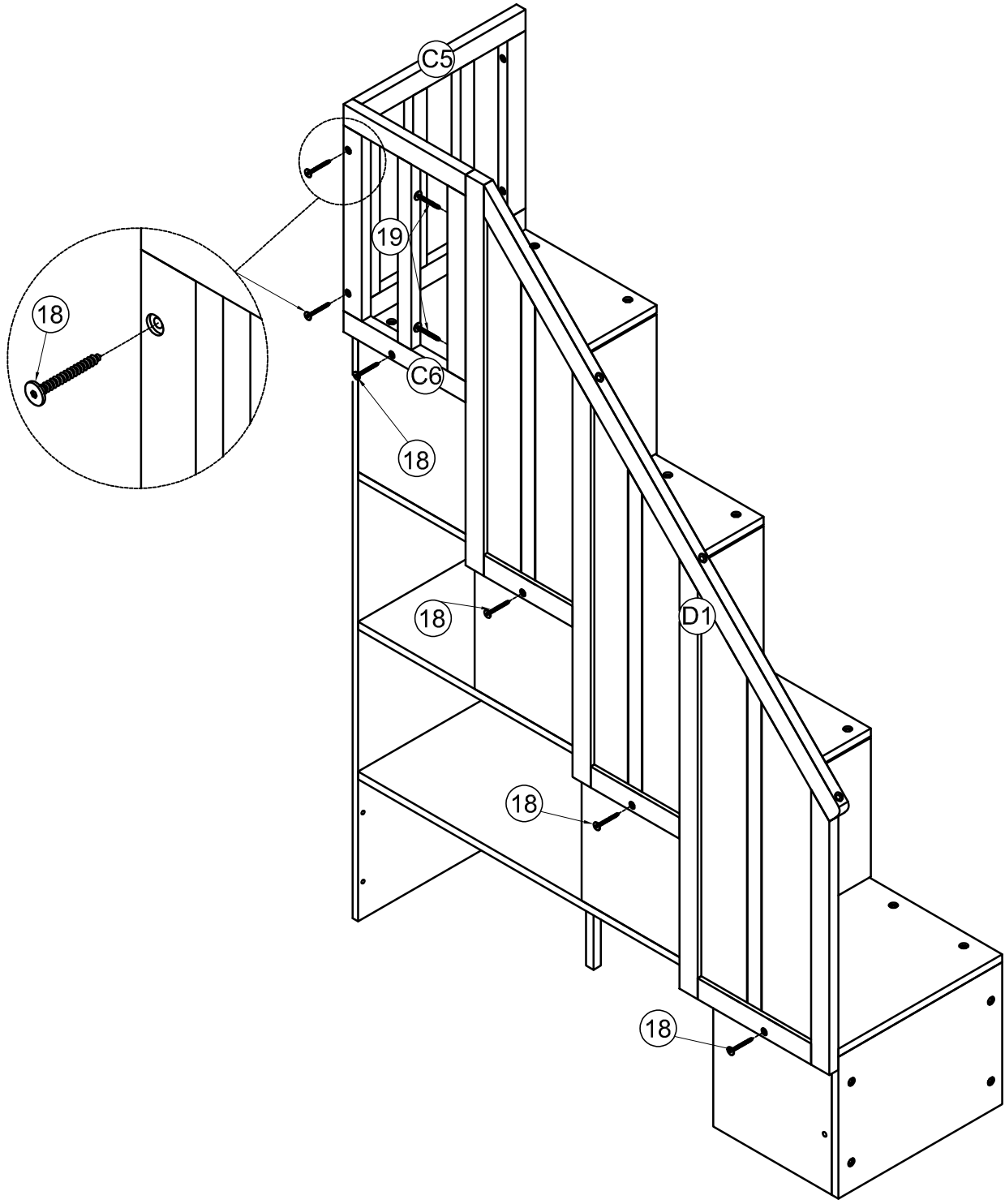
STEP14: Following below illustration.

7	10	20	8
			
1(pc)	6(pcs)	12(pcs)	18(pcs)

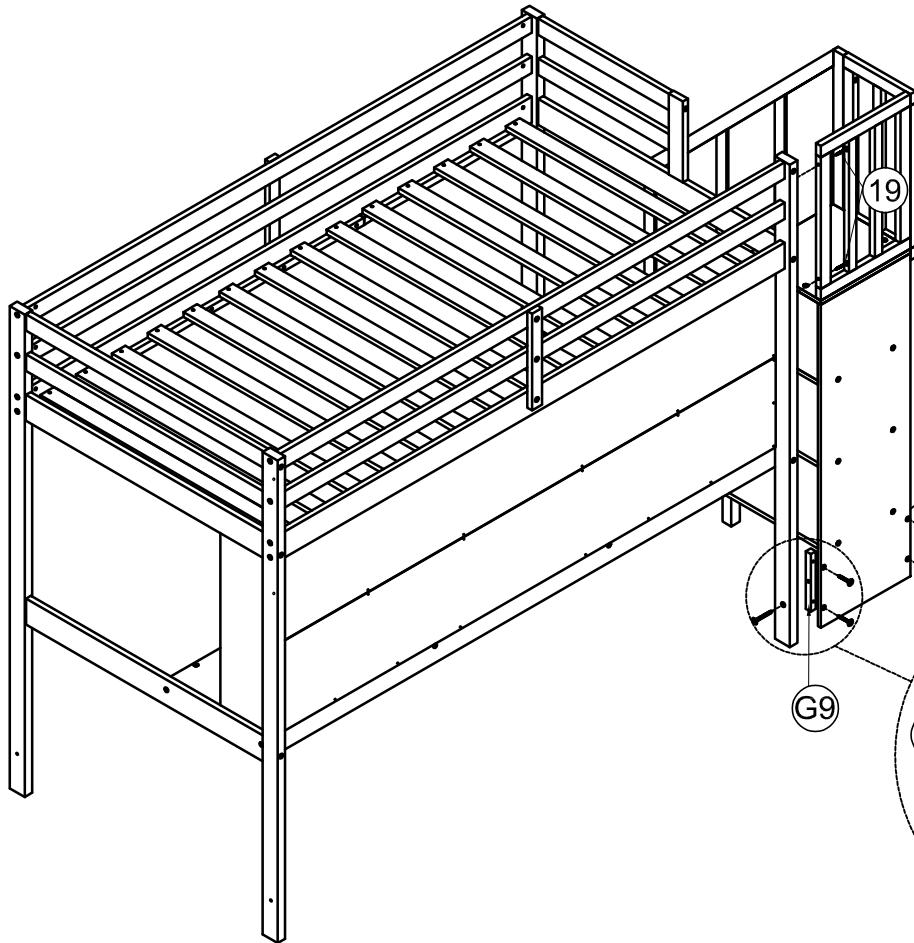





STEP15: Following below illustration.

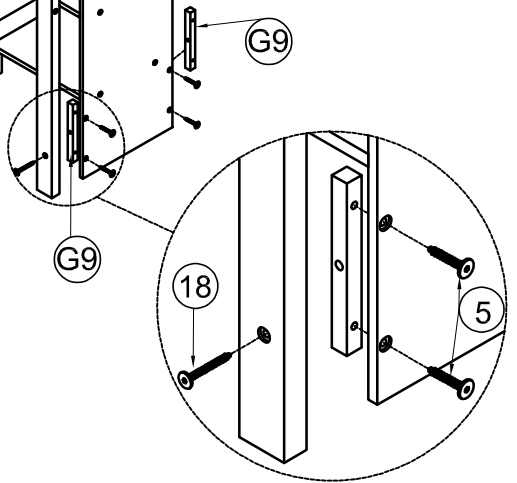
18	19
	
6(pcs)	2(pcs)



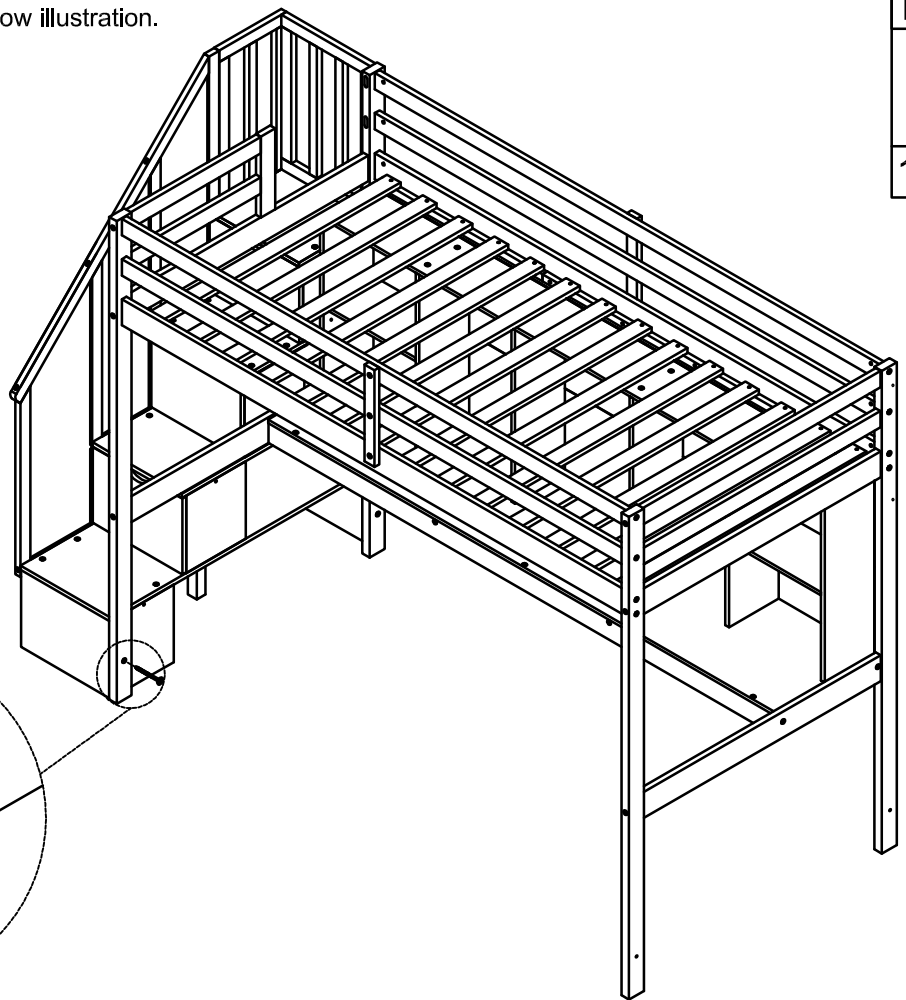
STEP16: Following below illustration.




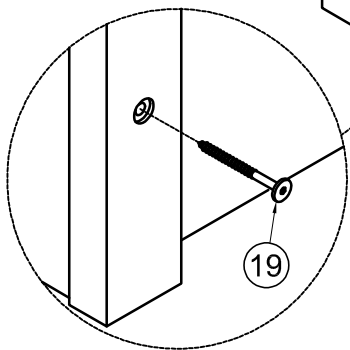
5		18	
4(pcs)		1(pc)	
		19	
		2(pc)	




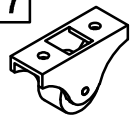
STEP17: Following below illustration.

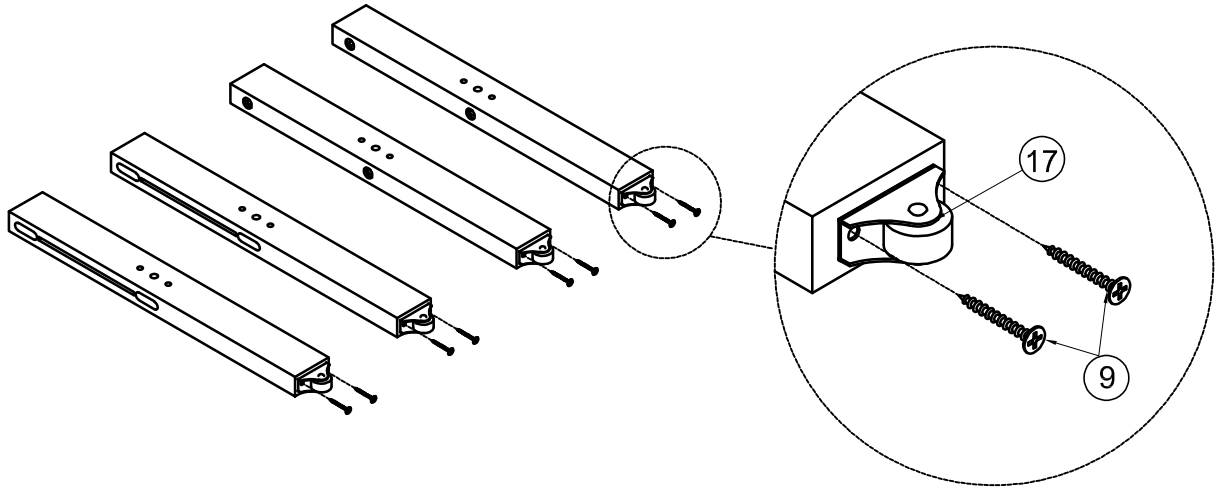


19	
1(pcs)	




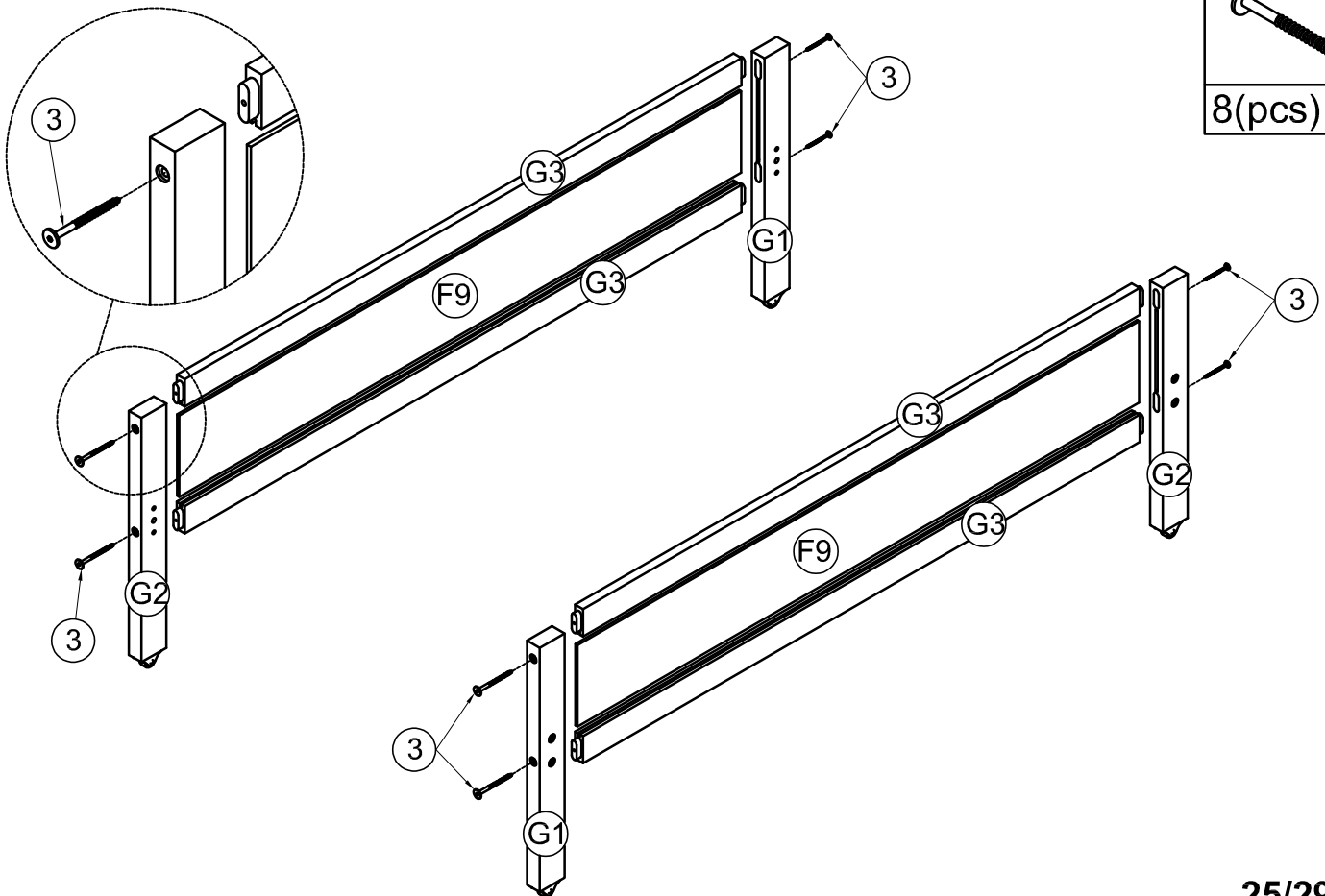
STEP18: Following below illustration.

9		17	
8(pcs)		4(pcs)	


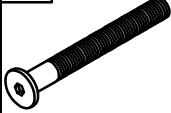



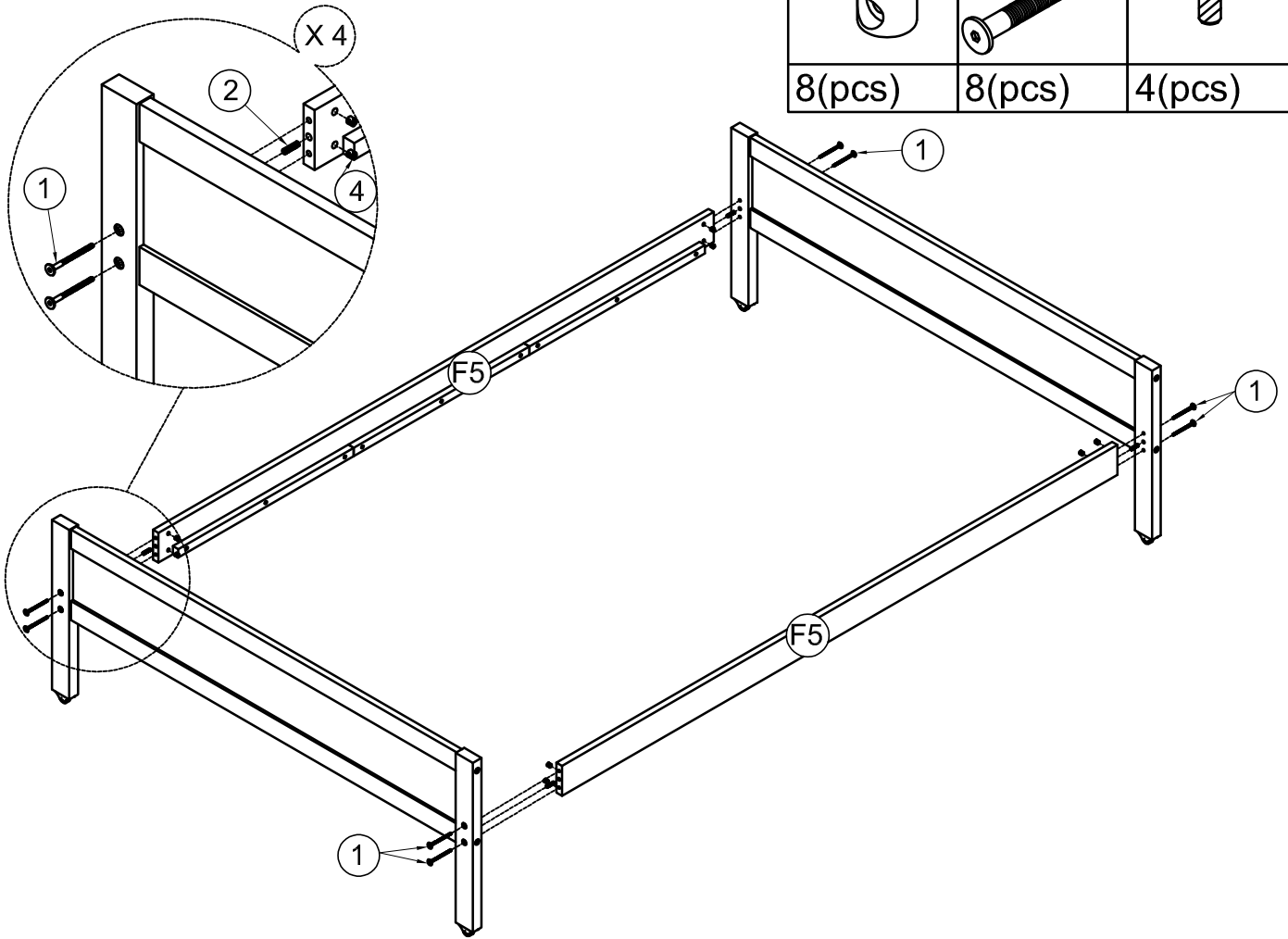
STEP19: Following below illustration.

3	
8(pcs)	


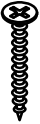


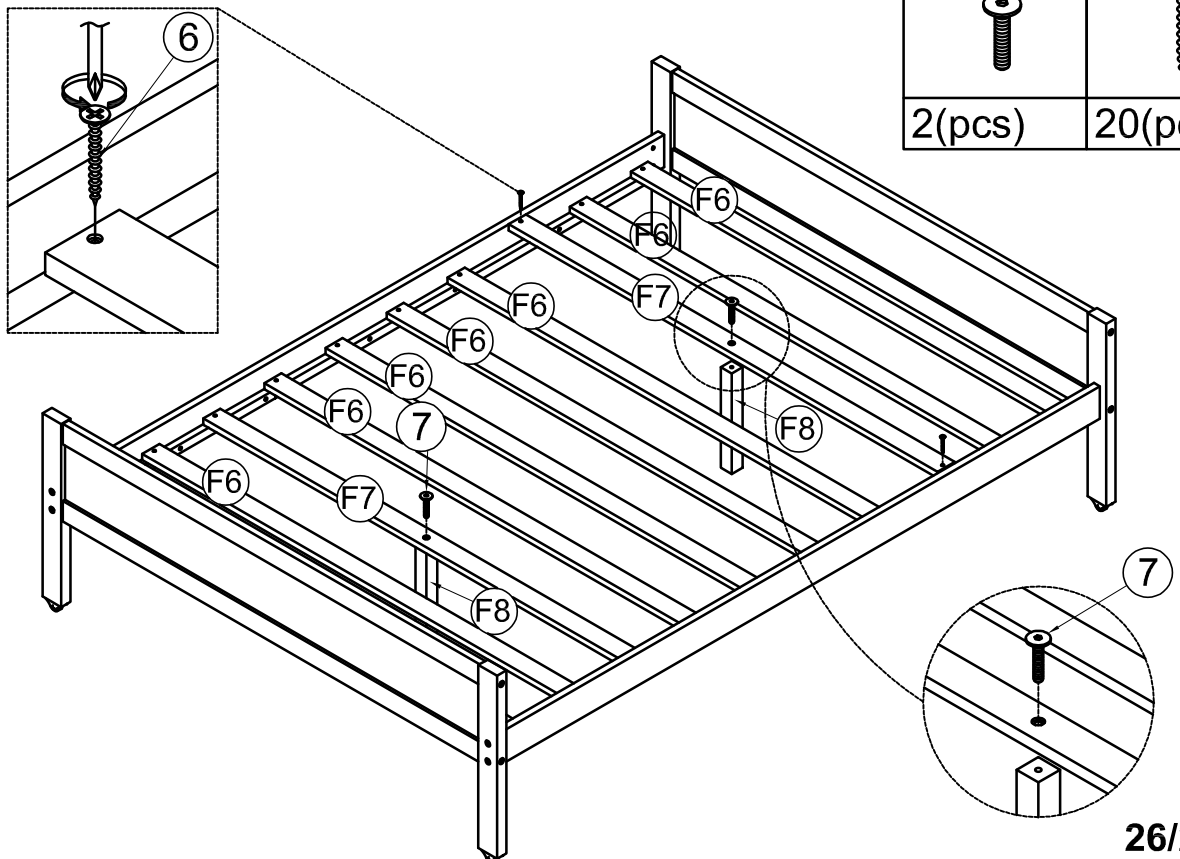
STEP20: Following below illustration.

4		1		2	
8(pcs)		8(pcs)		4(pcs)	

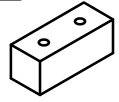



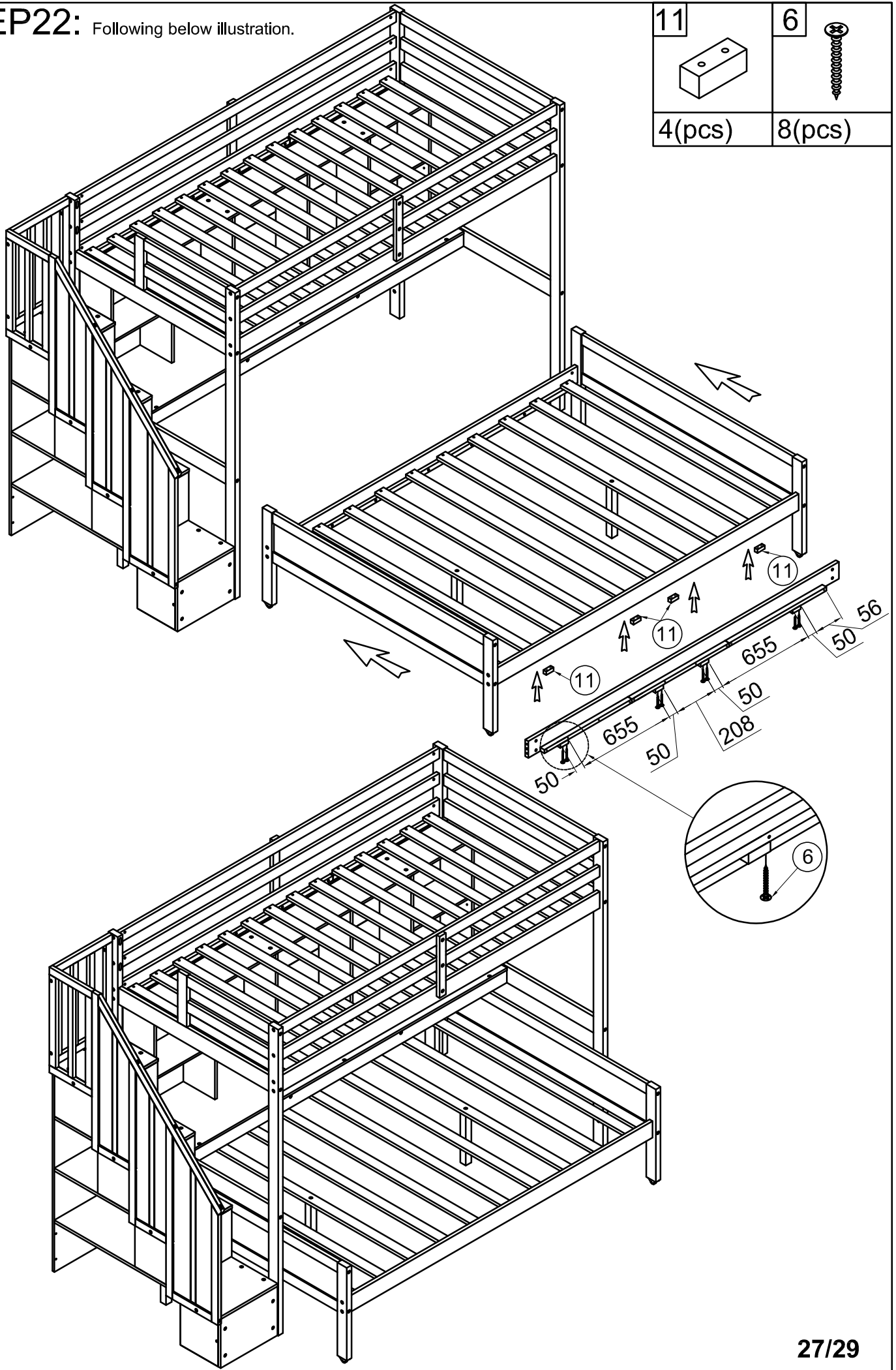
STEP21: Following below illustration.

7		6	
2(pcs)		20(pcs)	

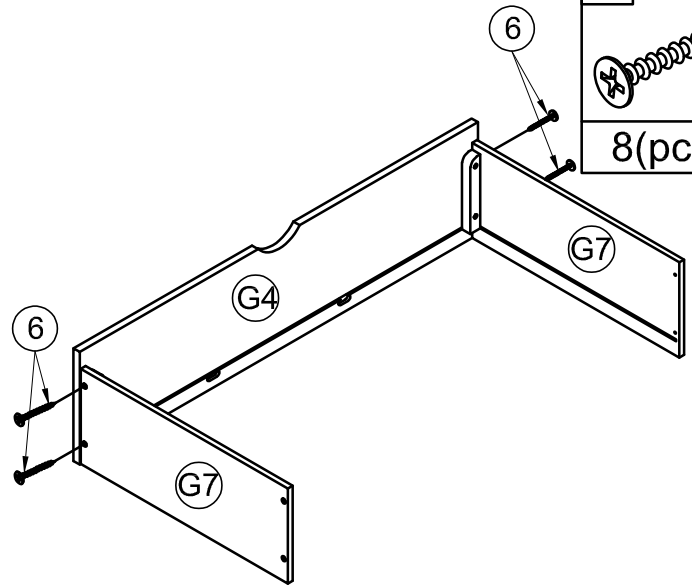
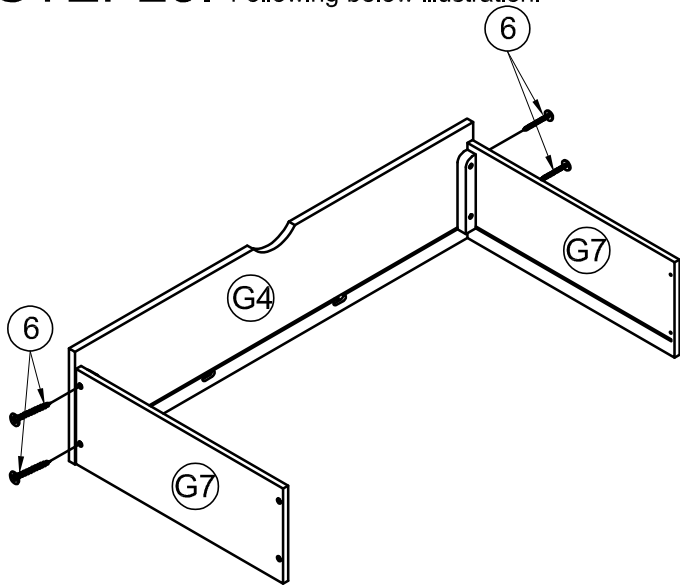


STEP22: Following below illustration.

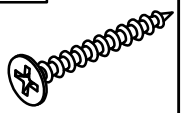
11	6
	
4(pcs)	8(pcs)



STEP23: Following below illustration.

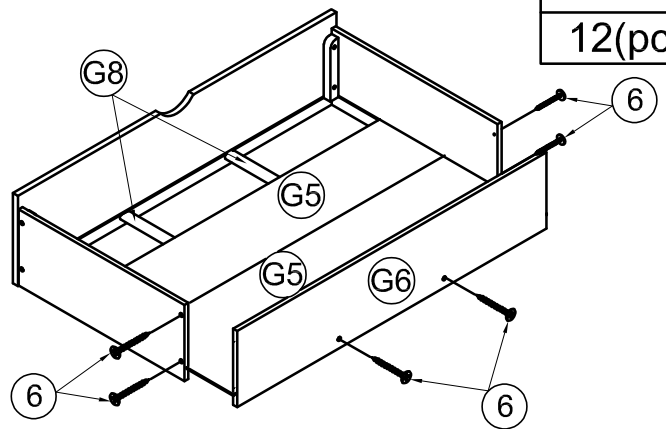
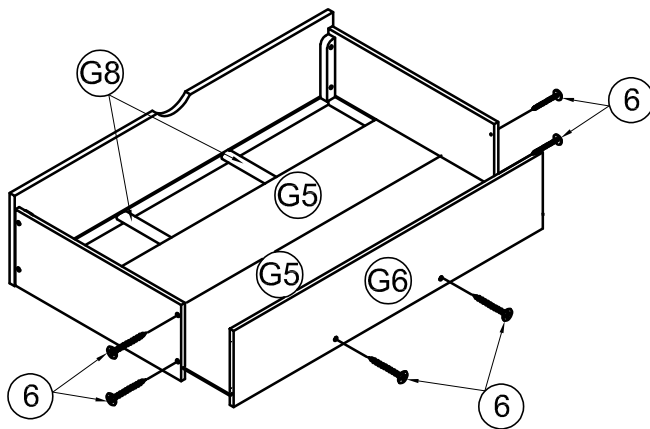


6

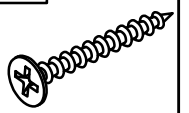


8(pcs)

STEP24: Following below illustration.

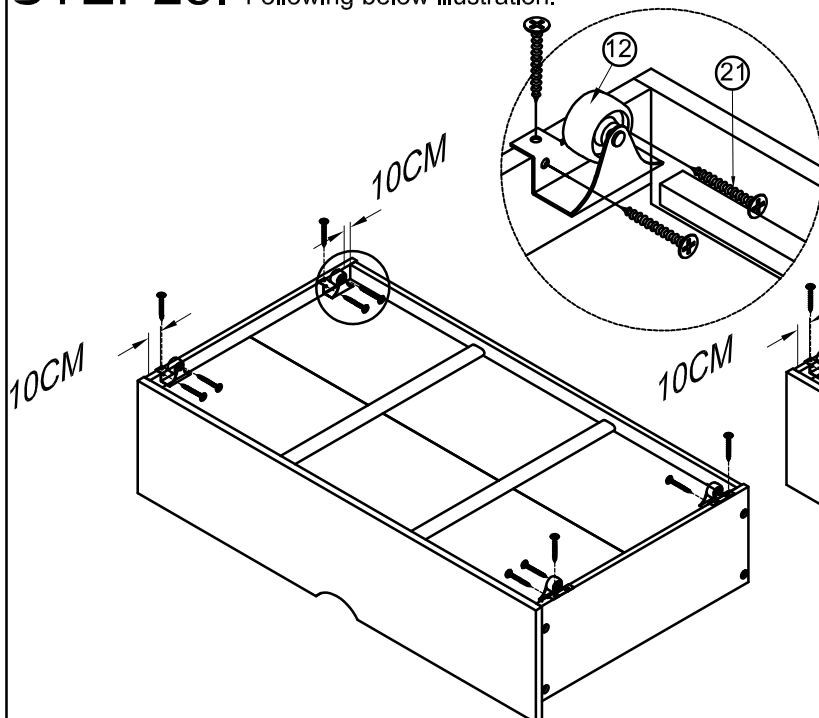


6



12(pcs)

STEP25: Following below illustration.



12



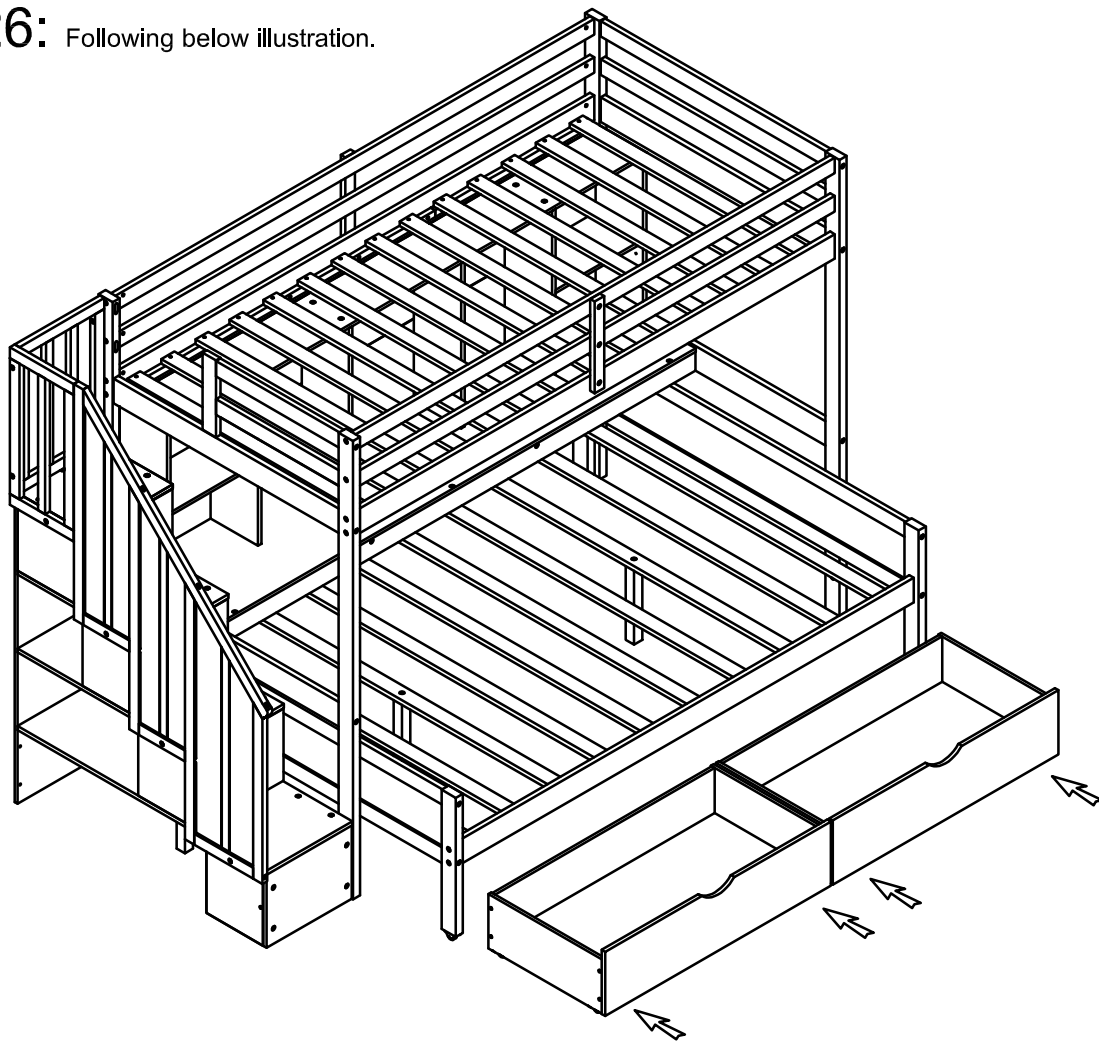
8(pcs)

21



24(pcs)

STEP26: Following below illustration.



Finish

