



**Electrolux**

## Factory Parts Catalog

<b>Product No.</b>	<b>ELFW4222AW</b>
<b>Series</b>	91453500500
<b>Market</b>	North America
<b>Color</b>	white
<b>Volts</b>	120V
<b>Wiring Diagram</b>	A13138902
<b>Owner's Guide</b>	157029280
<b>Installation Instructions</b>	157029900

 **Electrolux**

### **Electrolux Major Appliances**

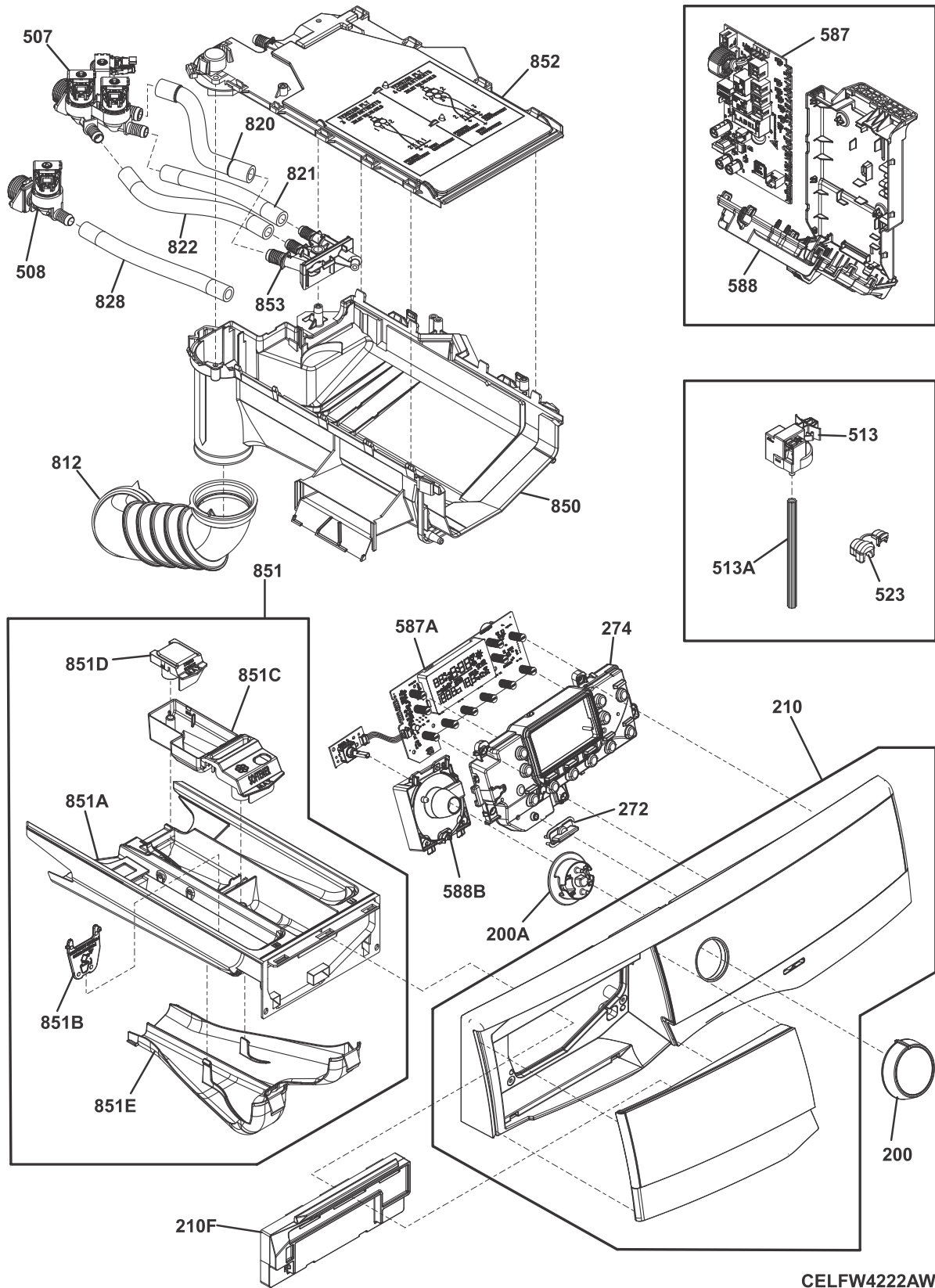
P.O. BOX 8020  
CHARLOTTE, NC 28262

Publication No.  
**5995719621**  
20/01/09  
(EN/SERVICE/ECL)  
154

### **FRONT-LOAD WASHING MACHINE**

Model No.  
**ELFW4222AW**

### CONTROL PANEL



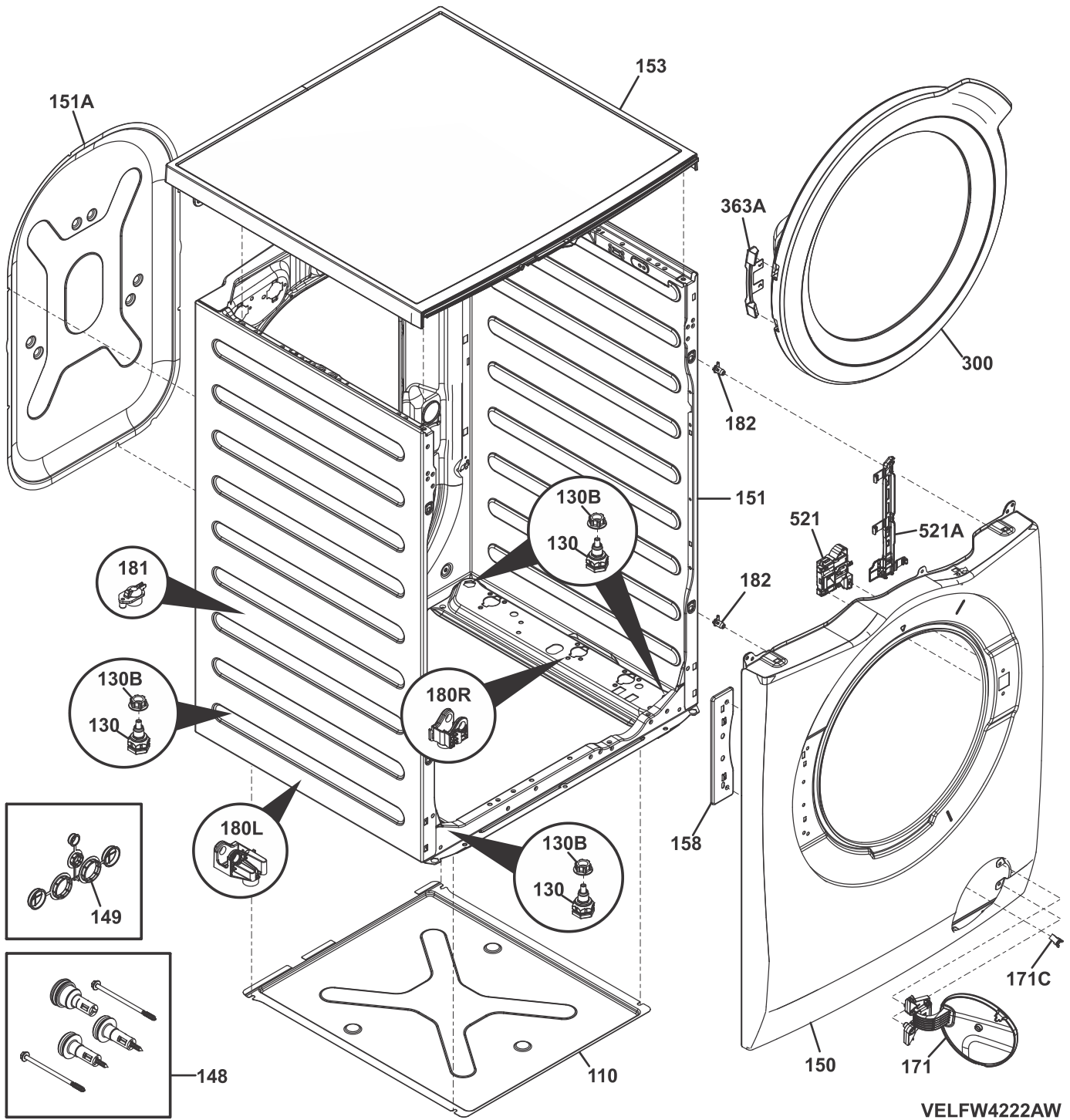
CELFW4222AW

## CONTROL PANEL

---

POS. NO	PART NO.	DESCRIPTION
200	A14487601	Knob, program select, chrome pltd, outer
200A	A06078806	Knob, program select, black, inner
210	A17820302	Control Panel, assembly, white, w/drawer handle
210F	A17820701	Support, drawer handle
272	A06036609	Button, rectangular, white
274	A06025111	Diffuser, support, luminous diode
507#	132518842	Valve, electric, triple solenoid
508#	132744701	Valve, electric, single solenoid
513#	132819501	Switch, pressure
513A	132642330	Tube, pressure switch
523	A02006501	Duct, power cable, UL
587#	5304523846	PC Board Assembly, main, configured
587A	405549870	PC Board Assembly, user interface, w/prgram select
588	807881002	Housing Assembly, main board
588B	A04035706	Housing, program select
812	405537913	Hose Kit, detergent fill, w/clamps
820	405536798	Tube Kit, electric valve, EV/WD G33 D=12
821	405536797	Tube Kit, electric valve, D=10mm/L=152mm
822	405536796	Tube Kit, electric valve, D=10mm/L=125mm
828	132502480	Tube, electric valve, D=10 L=165, container cup
850	132640843	Dispenser, detergent
851	405549875	Drawer Assembly, complete
851A	132507511	Drawer, detergent
851B	132767801	Flap, partition, detergent drwr
851C	809169902	Syphon, drawer, additives
851D	809169802	Syphon, drawer, liquid detergent
851E	132507601	Conveyor, bottom, dispenser drwr
852	132507112	Water Distributor, assembly, hot
853	132502111	Water Distributor, back, pipe union
* #	A01208403	Power Cord, service cable
* #	A01245501	Wiring Harness, main board, to heat element
* #	A01245603	Wiring Harness, main board, to elec. valve
* #	A01245801	Wiring Harness, pressure switch, temp probe
* #	A01246302	Wiring Harness, main board, to door intrlok
* #	A13141001	Wiring Harness, main board, 810mm, to elec. valve
* #	A13141201	Wiring Harness, main board, to UI board
* #	A13152301	Wiring Harness, main board, to hot valve
*	105117480	Clamp, hose
*	132315900	Clamp, hose, D 20, 5
*	132315920	Clamp, hose, D 52.5
*	132315940	Clamp, hose, D40
*	132315970	Clamp, hose, D65, 5
*	533122128	Clamp, hose, 21.5-22.6mm

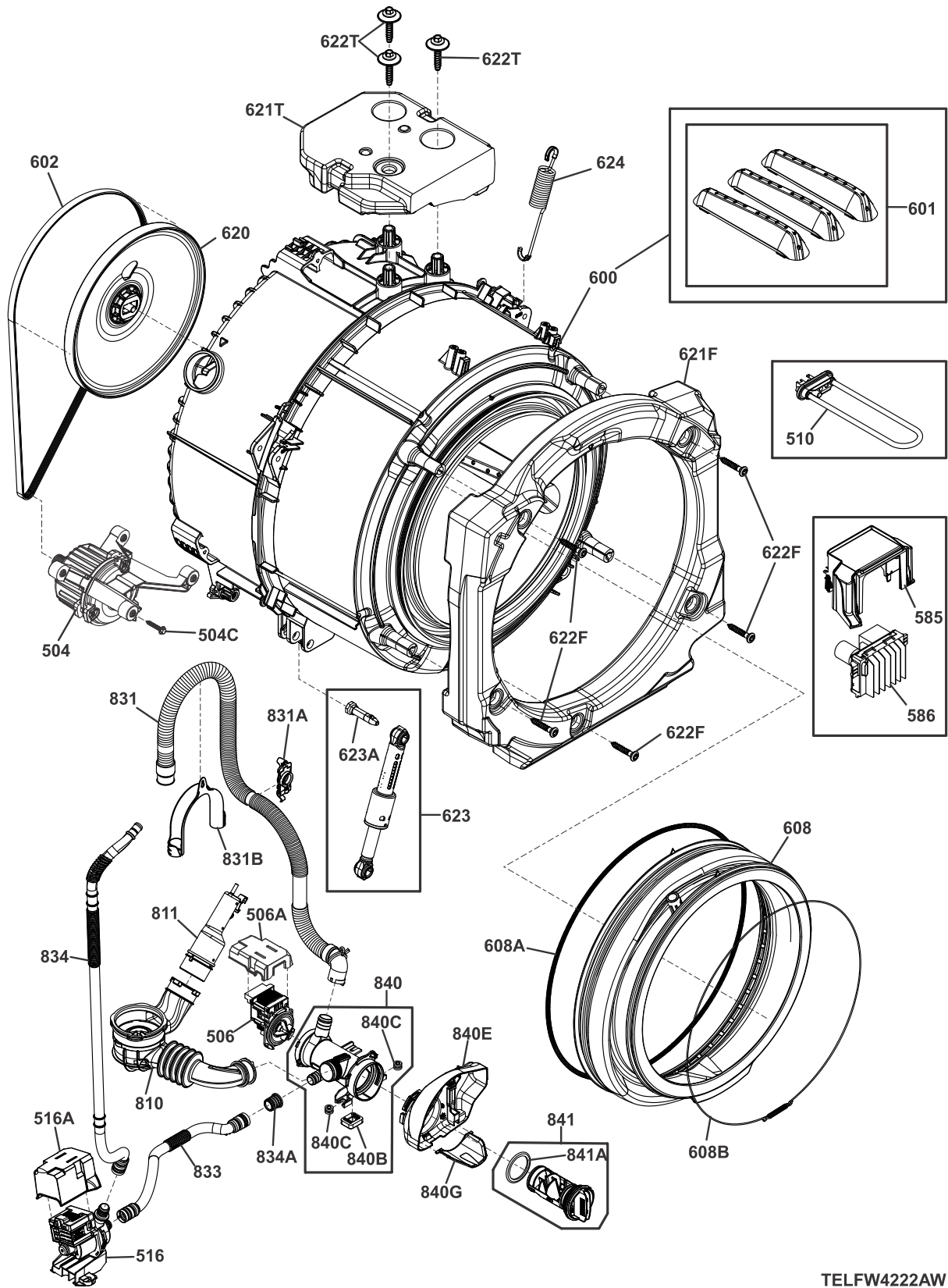
CABINET/TOP/DOOR



**CABINET/TOP/DOOR**

<b>POS. NO</b>	<b>PART NO.</b>	<b>DESCRIPTION</b>
110	A00889001	Base, aqua control
130	132500760	Leg, leveling, screw
130B	110877100	Bushing, leveling leg
148	405543872	Shipping Kit, transit straps, w/screws
149	132503902	Cap, holes, rear panel
150	A01075603	Front panel, cabinet, white
151	132774390	Panel, cabinet back, white
151A	132504042	Panel, service access
153	132760446	Work Top, assembly, white
158	A00521302	Reinforcement, hinge
171	A03748617	Door Assembly, diaphragm, pump body, w/hinge
171C	A03653601	Catch Assembly, diaphragm door, pump body
180L	132764600	Bracket, shock absorber, LH
180R	132764700	Bracket, shock absorber, RH
181	132559902	Cap, support, cushion
182	132476800	Pin, front panel, alignment/catch
300	A15514113	Door Assembly, welded, silver
363A	A13548802	Cover, door hinge, grey
521	808455304	Lock, door, 40N, 120V, 60Hz
521A	807756001	Cover, door lock, latch
*	533115822	Clamp, elec valve, hose
*	533118220	Clamp, 18.2

MOTOR/TUB/PUMP

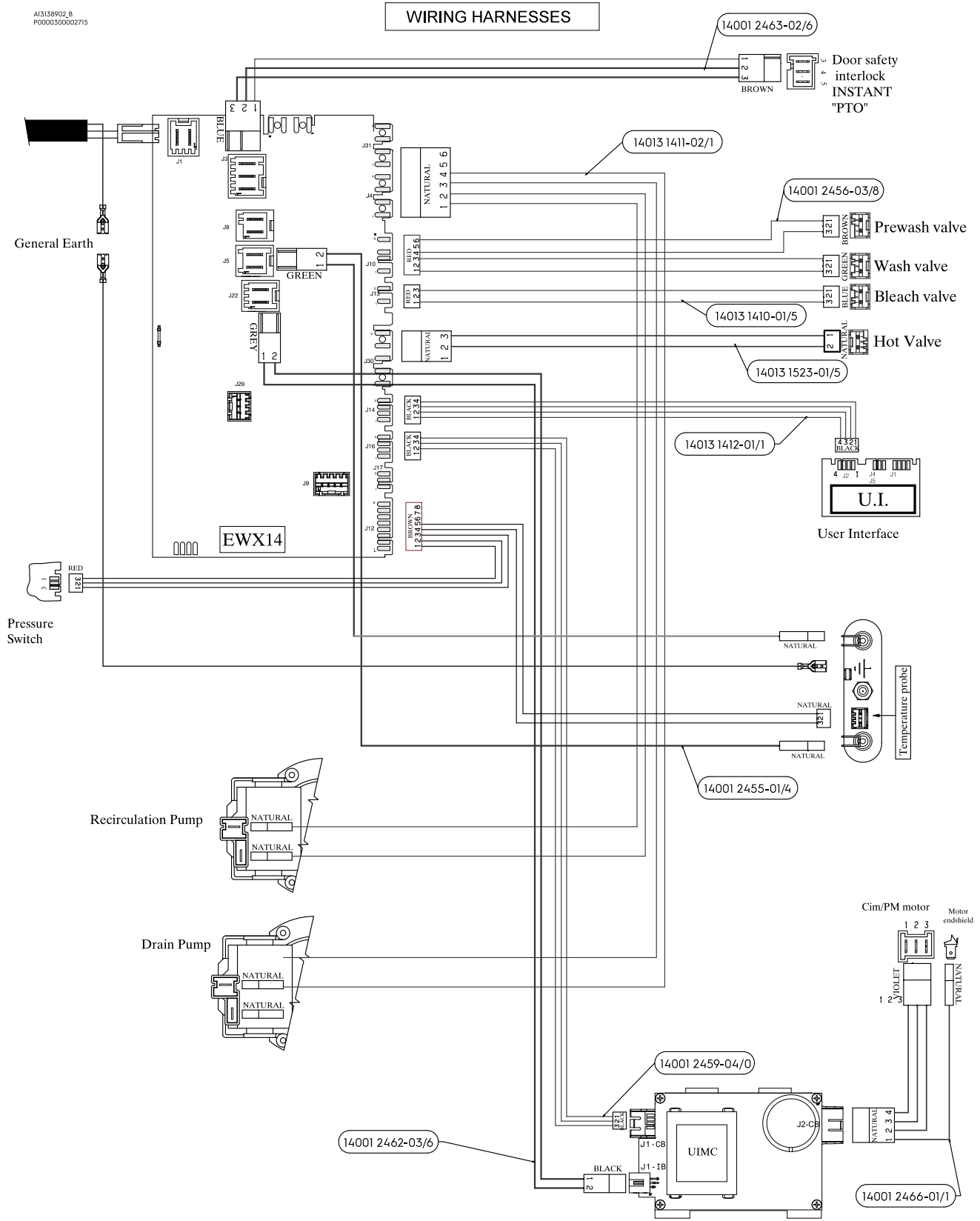


TELFW4222AW

**MOTOR/TUB/PUMP**

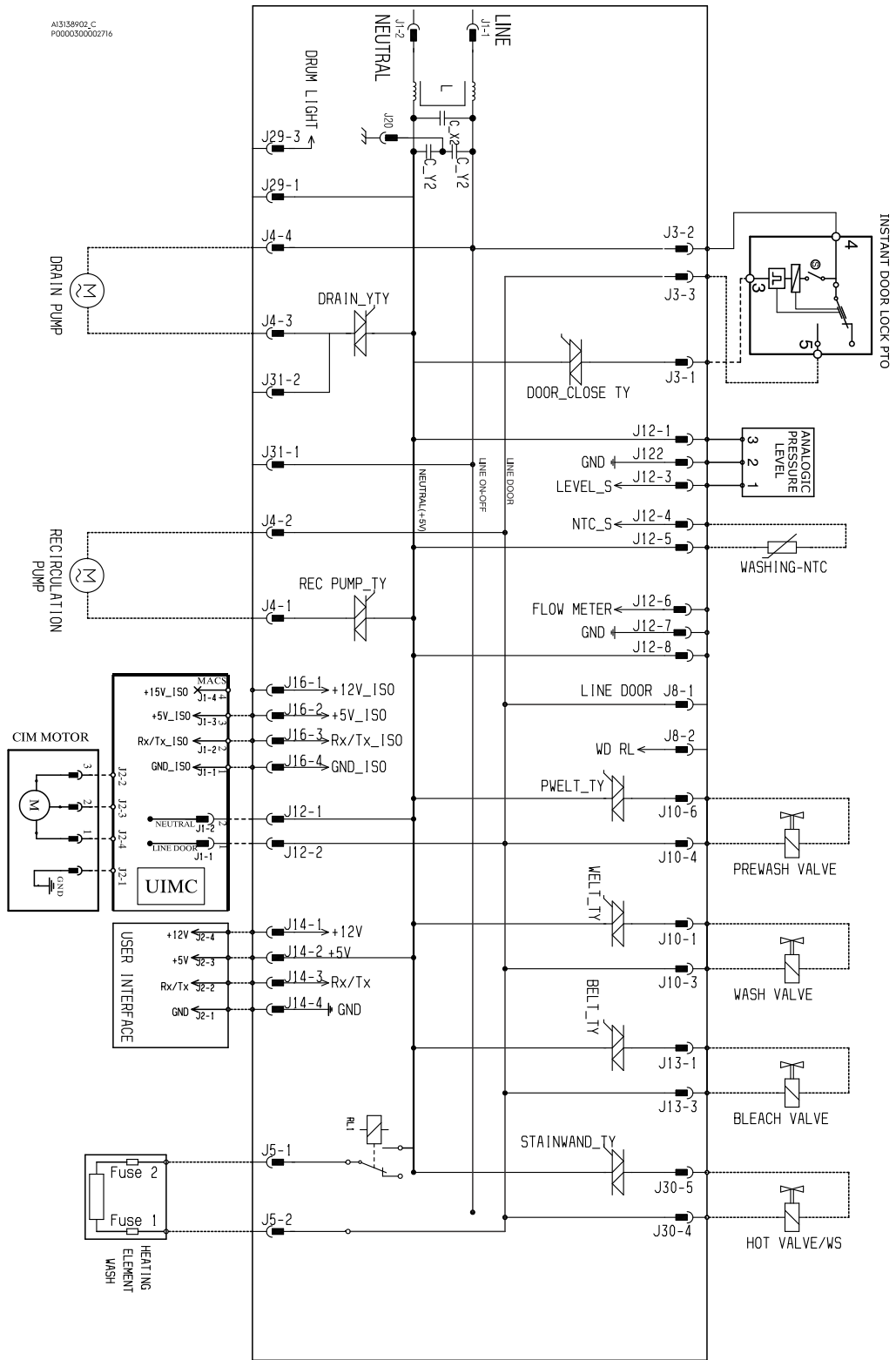
POS. NO	PART NO.	DESCRIPTION
504#	A04489904	Motor, induction, magnet
504C	124022201	Bolt, 5, 5x38
506	132611913	Pump, drain, 120V, 60Hz, UL
506A	A14151001	Cover, drain pump
510	137488302	Element, heat w/sensor, 120V, 1000W
516#	132510083	Pump Assembly, recirculation, w/thrml cut-out
516A	132117601	Cover, recirc pump
585	807026303	Cover, inverter, EB
586#	A11286423	PC Board Assembly, inverter
600	348416840	Tub Assembly, complete, w/inner-outer
601	405536790	Vane Kit, (3 pieces)
602	132353120	Belt, drive, rubber, 1000/1500 HUTC
608	A00466828	Bellows, rubber, boot
608A	132562100	Spring, bellows clamp
608B	132556201	Connection Ring, bellow, to front panel
620	5029824900	Pulley, drum drive, rear
621F	132768810	Counterweight, drum front
621T	132763601	Counterweight, upper, 8.37kg G60
622F	405536791	Screw Kit, counterweight, front, (5 screws)
622T	405536792	Screw Kit, counterweight, top, (3 screws)
623	405536793	Shock Absorber, kit, (includes bolt)
623A	132780401	Bolt, shock mtng, damper lining
624	132768400	Spring, asmy, tub, suspension
810	132765002	Hose, tub, to pump
811	132764800	Chamber, air
831	132771400	Hose, drain, asmy, L=2540mm
831A	132768003	Clamp, hose, drain, back panel
831B	124291600	Hanger, drain hose, support
833	132768601	Hose, recirculation, intake
834	132756501	Hose, recirculation
834A	132511300	Hose, sealing, circulation
840	405549871	Pump Body Kit, grey, w/spacers
840B	132501401	Buffer, upper pump body
840C	132514200	Compensator, space, fixing, pump body
840E	A06487002	Front Cover, pump body, grey
840G	A06364501	Gutter, drain, diaphragm
841	A06486401	Filter, assy, diaphragm, diamond, from serial no, 737xxxxx
841A	132071200	Seal, filter, strain
* #	A01245904	Wiring Harness, inverter, 1190mm
* #	A01246203	Wiring Harness, inverter, 1120mm
* #	A01246601	Wiring Harness, motor, to inverter
* #	A13141102	Wiring Harness, drain pump, to recirc. pump
*	105117480	Clamp, hose
*	132315900	Clamp, hose, D 20, 5
*	132315920	Clamp, hose, D 52.5
*	132315940	Clamp, hose, D40
*	132315970	Clamp, hose, D65, 5
*	533115822	Clamp, elec valve, hose
*	533118220	Clamp, 18.2
*	533122128	Clamp, hose, 21.5-22.6mm

### WIRING DIAGRAM





WIRING DIAGRAM



ELECTRIC DIAGRAM EWX14