

# homeward**b**ath

## **Lexi Tub**

**Model: MG017**

## **Installation Manual**



Table of Contents

- [General Information](#)..... - 2 -
- [Notice to Installers](#)..... - 2 -
- [Electrical Parameters](#)..... - 2 -
- [Electrical Requirements](#) ..... - 2 -
- [Plumbing Requirements](#)..... - 2 -
- [Tub Diagrams](#)..... - 3 -
- [Tub Features](#) ..... - 4 -
- [Tub Installation](#)..... - 5 -
- [Installation of Drain](#)..... - 5 -
- [Tub Operation](#)..... - 5 -
- [Troubleshooting](#) ..... - 6 -
- [Cleaning and Maintenance](#)..... - 6 -
- [Additional information](#)..... - 6 -
  - [To Expedite Part Requests:](#)..... - 6 -
  - [Warranty Information & Registration:](#)..... - 6 -
  - [Customer Reviews:](#) ..... - 6 -
- [Notes:](#) ..... - 7 -

## General Information

- **Note:** All tubs need to be leveled in its final resting position and have all feet touching the ground.
- It is advised to have tub onsite before preparing drain location.
- **Note:** Unit comes with a 1500-watt inline heater. The heater comes on automatically when the water pump is engaged.
- **Manufacturer reserves the right to change specs or features at any time. Please check to confirm details. 1-866-783-2661**

## Notice to Installers

THE FLEXIBLE DRAIN HOSE THAT IS INCLUDED WITH THIS UNIT IS FOR INSTALLATION INTO AN OPEN FLOOR DRAIN ONLY. SUBSTITUTING THE EXISTING DRAIN SHOE FOR A DIFFERENT ONE WILL NOT VOID THE WARRANTY AS LONG AS THERE IS NO DAMAGE OR EVIDENCE OF MISUSE TO THE BASE.

## Electrical Parameters

Rated Voltage	Frequency	Motor Power
110V~120V	60HZ	0.745KW(1HP)/1.0KW 5.5-6.5 Amps
110V~120V	60HZ	1500 Watt / 13-14 Amps Inline Heater (Pre-wired)

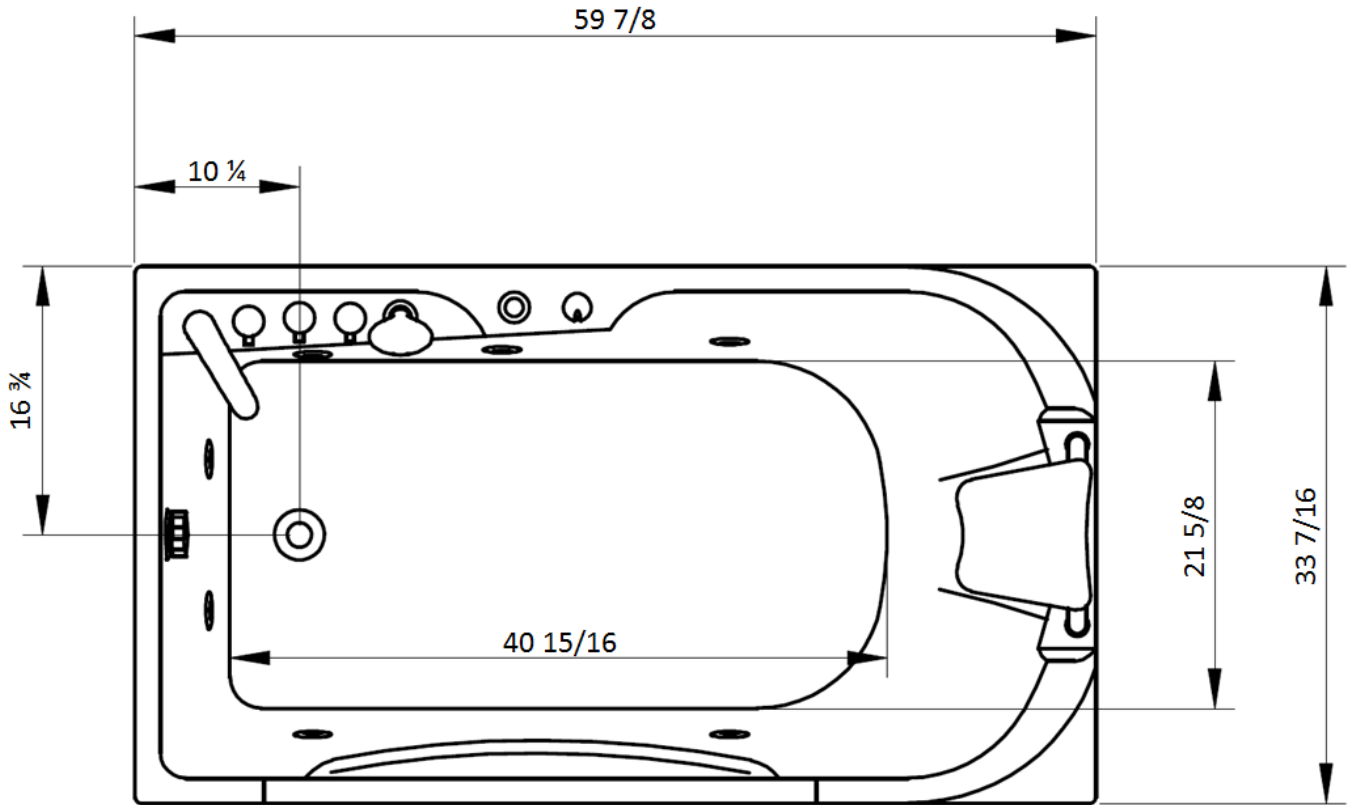
## Electrical Requirements

- 1 dedicated 10-2 line for water pump (line 1, ground and neutral)
- 110-volt, 30-amp GFCI breaker
- Includes 1500-watt inline water heater

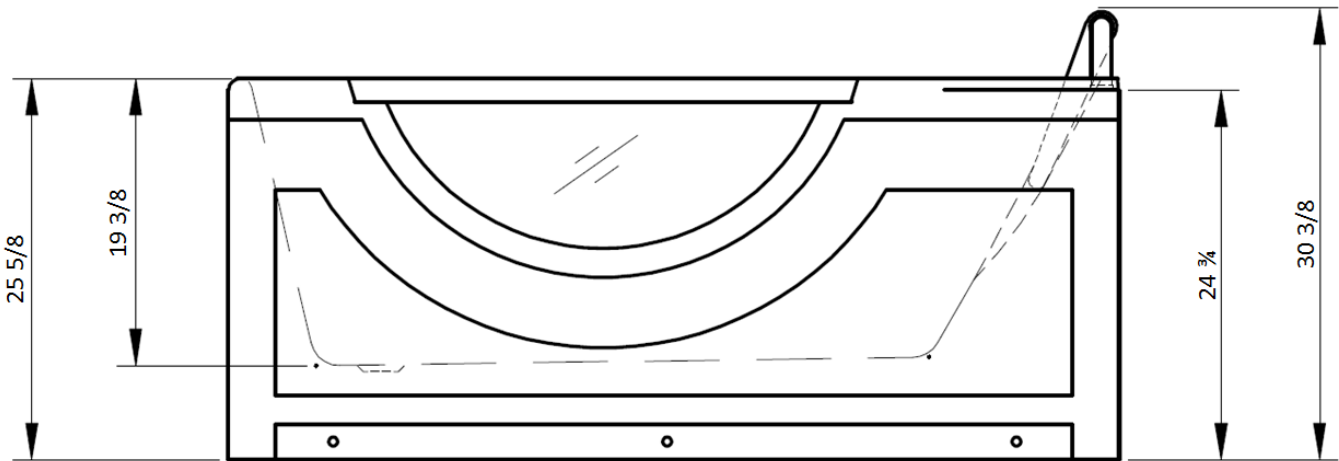
## Plumbing Requirements

- The unit is equipped with hot and cold, metal braided ½ inch water supply hose with ½ national pipe thread.
- Need to install accessible hot and cold shutoffs with ½ -male national pipe thread (not included).
- Supply hoses are to connect from the manifold on the unit to the shutoff valves.
- All water jet features are pre plumbed with reinforced braided flexible supply hose
- All fixtures and fittings should be checked for tightness as they may have come loose during transport. Access panel area advised.

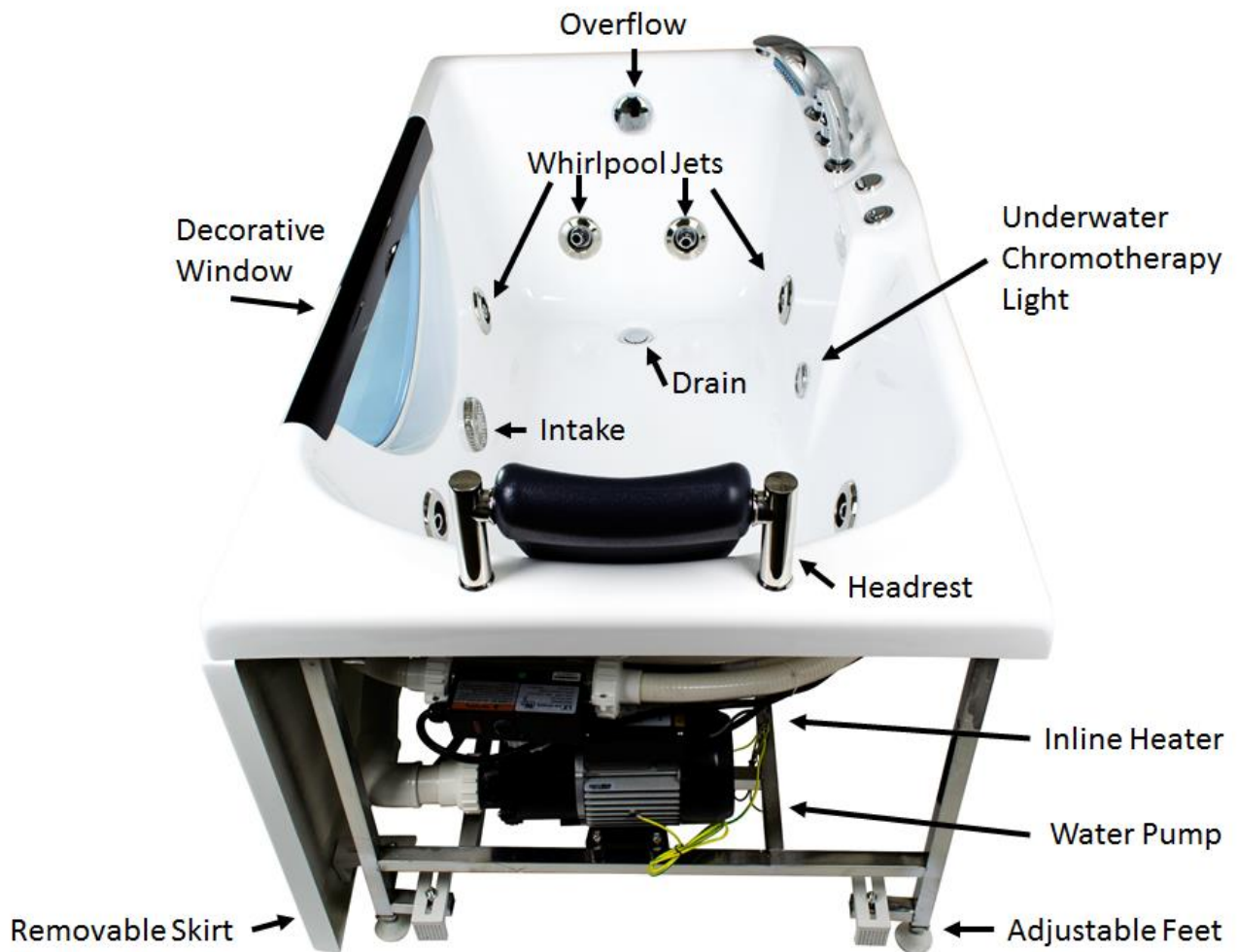
# Tub Diagrams



Note: Fractions are approximate. For details, please call 866-783-2661



## Tub Features

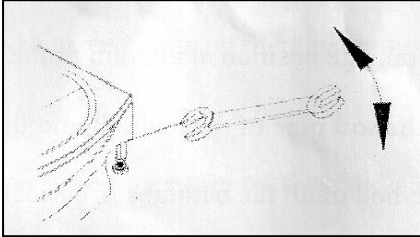


## Tub Installation

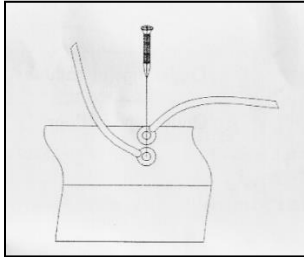
Water Manifold Controls: One cold water supply pipe, one hot water supply pipe.

Drainage: The diameter of the drain should be (greater than or equal to) 40mm. This drainage can be at a distance of 300-400mm from the location we show on the chart.

1. Unpack the bathtub and move it into the desired position.
2. Adjust the tub feet so the water will drain completely from the tub. All feet need to be touching the floor and tub needs to be level.



3. Install the hand held spray wand
4. Install the headrests.
5. Ground the bathtub for safety.



## Installation of Drain

Floor drain must have trap installed

## Tub Operation

1. Check the power supply and GFCI protection. Insert the plug into an interior power supply socket or hardwire to a junction box (Not Included).
2. Turn on the cold and hot water shut off valves, and then turn on the handle of the cold and hot water faucet to mix the water to a desirable temperature.
3. Operation of the faucets: an on/off valve has been set for the shower and whirlpool bath. Turn diverter to switch between water faucet and sprayer functions.
4. Whirlpool bath massage: Turn valve on. Turn off the water when it reaches the water level. Water pump valve controls the whirlpool massage pump and jets.
5. Drain water for about 10 minutes after installation to clear drain lines and test for water leaks.
6. After using, shut off water and power supply.

## Troubleshooting

Trouble	Reason	Solution
No Power	<ol style="list-style-type: none"><li>1. Power plug is not connected to the socket</li><li>2. Circuit breaker is not on</li><li>3. Breaker trips</li></ol>	<ol style="list-style-type: none"><li>1. Tightly reconnect the plug with the socket.</li><li>2. Reset the circuit breaker.</li><li>3. Find and remove short circuit, reset the protection switch.</li></ol>
Water pipe leaks	<ol style="list-style-type: none"><li>1. Poor seal ring</li><li>2. Poor joint connection</li><li>3. Water pipe is broken</li></ol>	<ol style="list-style-type: none"><li>1. Replace</li><li>2. Connect it again</li><li>3. Replace</li></ol>
Tub light doesn't work	<ol style="list-style-type: none"><li>1. Bulb is damaged</li><li>2. Wires are cut off</li></ol>	<ol style="list-style-type: none"><li>1. Replace (remove the nut and install a new bulb, then tighten it)</li><li>2. Connect the wire</li></ol>

## Cleaning and Maintenance

1. Clean the bathtub with ordinary liquid detergent and a soft cloth. Don't sterilize the bathtub with cleaning products containing acetone or ammonia. Do not disinfect using agents with formic acid or formaldehyde.
2. If scratched treat the surface with an acrylic rubbing polish.
3. Wipe off the dirt and stains on surface with toothpaste and a soft cloth.
4. Grind the light scratches or stains with 2000# sand paper, and then polish with polishing wax.
5. If water is hard, it is suggested to clean the massage the device twice a year according to this following method:
  - a. Feed 40°C warm water into the bathtub until it reaches the lowest water level.
  - b. Mix 2g of liquid detergent for every liter of water, pour in and start the water force massage device and allow it to run for about 5 minutes.
  - c. Stop the water pump and drain out the water.
  - d. Fill the bathtub again with cold water and start the massage jets for about for 3 more minutes.
  - e. Stop the water pump, drain out the water, and clean the bathtub.

## Additional information

To Expedite Part Requests:

Visit [homewardbath.com/support](http://homewardbath.com/support)

Warranty Information & Registration:

A full description of the warranty is available on the Homeward Bath website.

To Register, visit [homewardbath.com/warranty-registration](http://homewardbath.com/warranty-registration)

**Note:** Registration must be completed within 45 days of receipt to be valid.

Customer Reviews:

Customer satisfaction is very important to us.

We would like to have your final installation picture(s) for publicity purposes.

Please send to Marketing at: [marketing@hwbpro.com](mailto:marketing@hwbpro.com)

