

USE AND CARE GUIDE

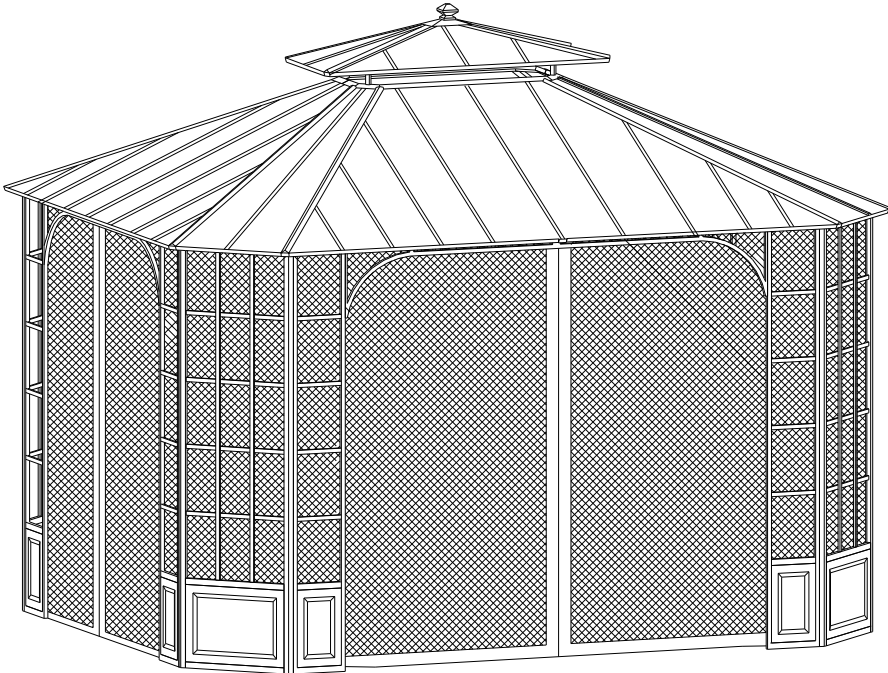


Table of Contents

Table of Contents.....	2	Pre-Assembly	3-5
Safety Information.....	2	Planning Assembly.....	3
Warranty.....	2	Hardware Included.....	3
What is Covered.....	2	Package Contents	4-5
What is Not Covered	2	Assembly	6-11
		Care and Cleaning	12

Safety Information

1. More than 6 persons is required for this assembly
2. Some parts may contain sharp edges. Wear protective gloves.
3. When assembling and using this product, basic safety precautions should always be followed to reduce the risk of personal injury and damage to equipment. Please read all instructions before assembly and usage.



DANGER: This unit is heavy! Do not assemble this item alone.



WARNING: Do not leave the gazebo where there is a risk of high wind, as possible damage will occur to the structure.



CAUTION: Do not climb on top of the gazebo. Falling off the gazebo can result in serious injury, possibly even death.

NOTICE: For outdoor use only.

Warranty

1 YEAR WARRANTY

WHAT IS COVERED

This limited warranty is extended to the original purchaser and applies to defects in materials and workmanship of your item provided the item is maintained with care and used only for personal, residential purposes. The item is warranted to be free from defects in material or workmanship for a period of 1 year.

WHAT IS NOT COVERED

We do not reimburse for transportation of delivery costs, or compensate the individual or any outside party for assembling or disassembling the product.

Pre-Assembly

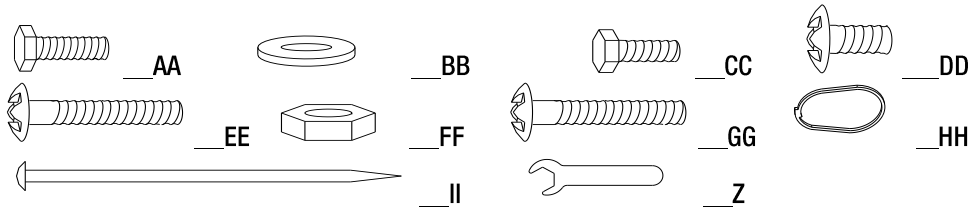
PLANNING ASSEMBLY

Before beginning assembly of this product, make sure all parts are present. Compare parts with the Hardware Included and Package Contents lists. If any part is missing or damaged, do not attempt to assemble the product. Contact customer service for replacement parts.

HARDWARE INCLUDED



NOTE: Hardware not shown to actual size.



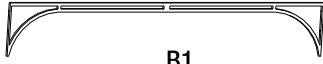
Part	Description	Quantity
AA	M6X25 Bolt	16
BB	M6 Flat washer	278
CC	M6X15 Bolt	72
DD	M6X15 Screw	134
EE	M6X60 Screw	16
FF	M6 Nut	16
GG	M6X35 Screw	24
HH	Ring	56
II	Dia.8X260 Stake	12
Z	M6 Wrench	2

Pre-Assembly (continued)

PACKAGE CONTENTS



_A



_B1



_B2



_C1



_C2



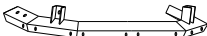
_C3



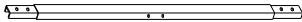
_D1



_D2



_E1



_E2



_F1



_F2



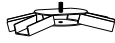
_F3



_G1



_G2



_H



_I



_J



_K



_L1



_L2



_M1



_M2



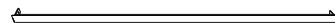
_M3



_M4



_M5



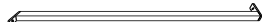
_M6



_N1



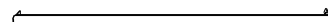
_N2



_N3



_N4



_N5



_N6



_O1



_O2



_O3



_P1



_P2



_P3



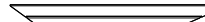
_P4



_P5



_Y1



_Y2



_Y3



_Y4



_Q



_R1



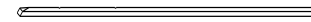
_R2



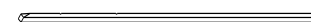
_S1



_S2



_T1



_T2



_W

Pre-Assembly (continued)

Part	Description	Quantity
A	Screen	4
B1	Long screen	2
B2	Short screen	2
C1	Connector	4
C2	Lower connector 1	4
C3	Lower connector 2	4
D1	Netting tube 1	2
D2	Netting tube 2	4
E1	Short beam	2
E2	Long beam	2
F1	Slide beam 1	4
F2	Slide beam 2	4
F3	Middle beam	4
G1	Small beam 1	2
G2	Small beam 2	2
H	Connecting tray	1
I	Hook	1
J	Small cover	1
K	Finial	1
L1	Lower tube 1	2
L2	Lower tube 2	2
M1	Left beam 1	2
M2	Right beam 2	2
M3	Left beam 3	2
M4	Right beam 4	2
M5	Left beam 5	2

Part	Description	Quantity
M6	Right beam 6	2
N1	Short left beam 1	2
N2	Short right beam 2	2
N3	Middle left beam 3	2
N4	Middle right beam 4	2
N5	Lower left beam 5	2
N6	Lower right beam 6	2
O1	Upper beam 1	4
O2	Small middle beam 2	4
O3	Lower beam 3	4
P1	Long cover 1	2
P2	Middle cover 2	2
P3	Middle cover 3	2
P4	Left cover 4	2
P5	Right cover 5	2
Y1	Left middle cover 1	2
Y2	Right middle cover 2	2
Y3	Small left cover 3	2
Y4	Small right cover 4	2
Q	Slide cover	4
R1	Small long cover 1	2
R2	Short long cover 2	2
S1	Small cover 1	2
S2	Small cover2	2
T1	Big cover 1	4
T2	Big cover 2	4
W	Mosquito netting	1

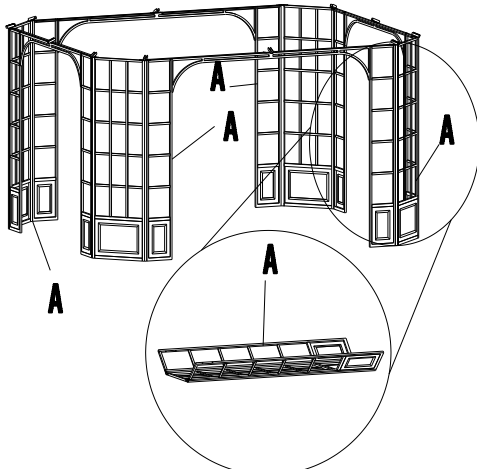
Assembly

1 Unfolding the screen

- Unfold the screen (A).



NOTE: To avoid destroying the finish, please handle it with care.

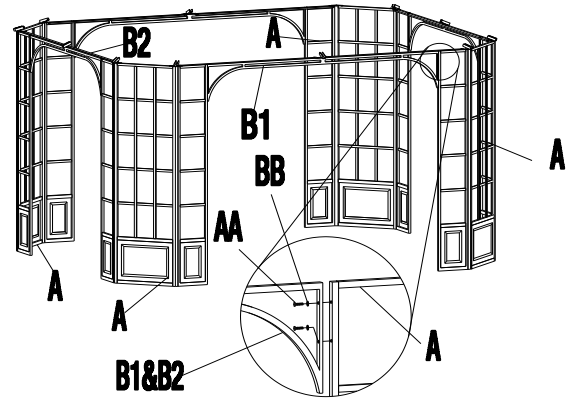


2 Connecting the screens

- Use bolts (AA) and flat washers (BB) to attach the long screen (B1) and short screen (B2) to the screen (A).



NOTE: To avoid destroying the finish, please handle it with care.

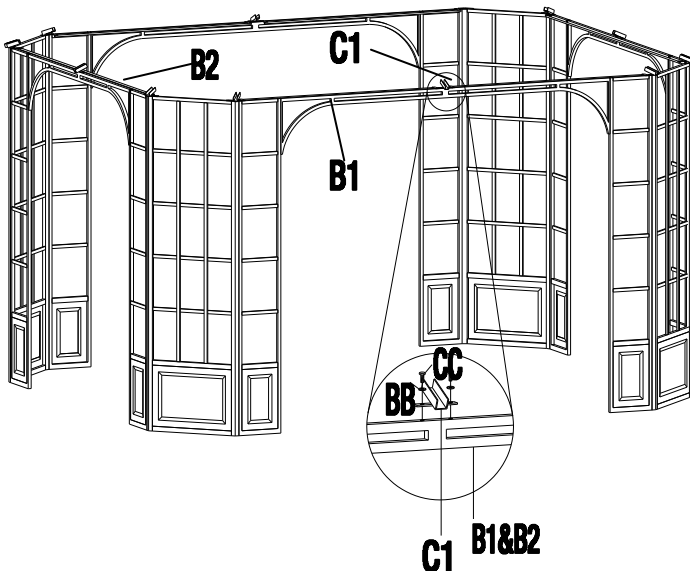


3 Assembling the connectors

- Use bolts (CC) and flat washers (BB) to assemble the connectors (C1) to the long screens (B1) and short screens (B2).



NOTE: To avoid destroying the finish, please handle it with care.

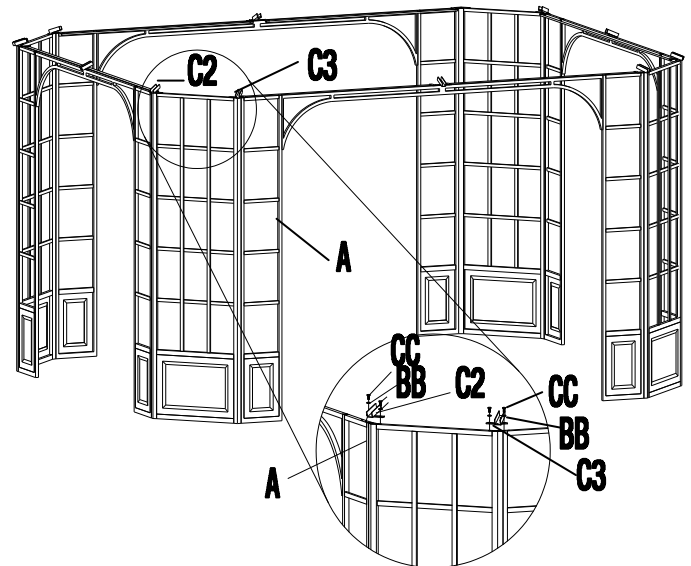


4 Assembling the lower connectors

- Use bolts (CC) and flat washers (BB) to assemble lower connector 1 (C2) and lower connector 2 (C3) to the screen (A).



NOTE: To avoid destroying the finish, please handle it with care.



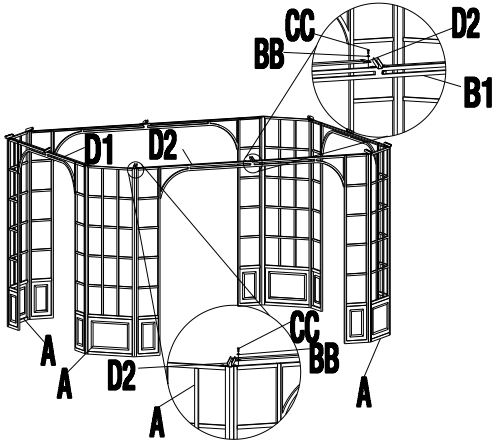
Assembly (continued)

5 Attaching the netting tube

- Use bolts (CC) and flat washers (BB) to attach the netting tubes 2 (D2) to the screen (A) and long screen (B1).



NOTE: To avoid destroying the finish, please handle it with care.

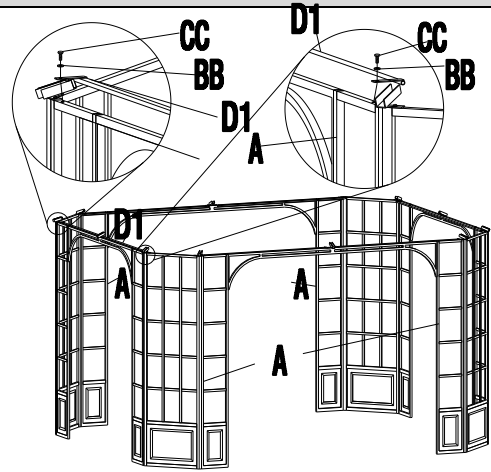


6 Attaching the netting tube

- Use bolts (CC) and flat washers (BB) to attach the netting tube 1 (D1) to the screen (A).



NOTE: To avoid destroying the finish, please handle it with care.

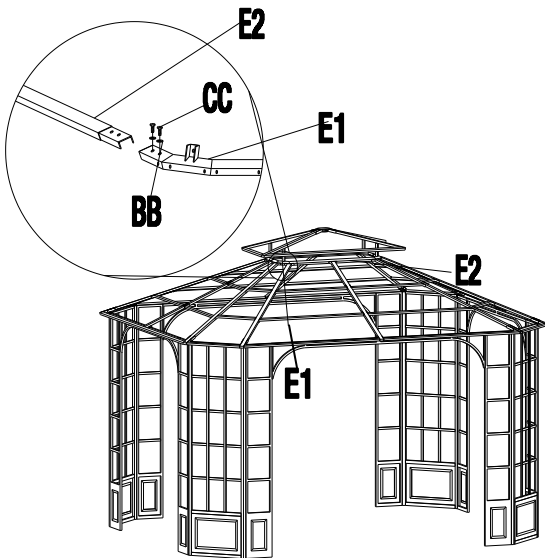


7 Assembling the beams

- Insert the long beam (E2) into the short beams (E1) and secure them by using bolts (CC) and flat washers (BB).



NOTE: To avoid destroying the finish, please handle it with care.

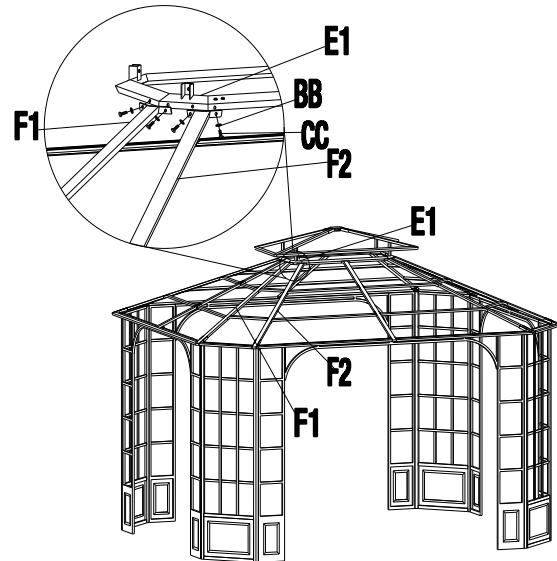


8 Assembling the slide beams

- Use bolts (CC) and flat washers (BB) to assemble the slide beam 1 (F1) and slide beam 2 (F2) to the short beams (E1).



NOTE: To avoid destroying the finish, please handle it with care.



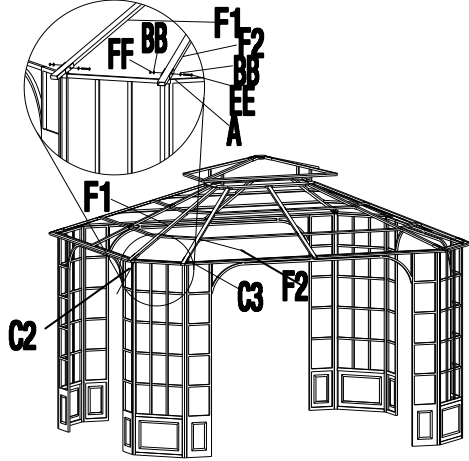
Assembly (continued)

9 Connecting beams to the lower connectors

- Use screws (EE), flat washers (BB) and nuts (FF) to assemble slide beam (F1/F2) to the lower connector 1 (C2) and lower connector 2 (C3).



NOTE: To avoid destroying the finish, please handle it with care.

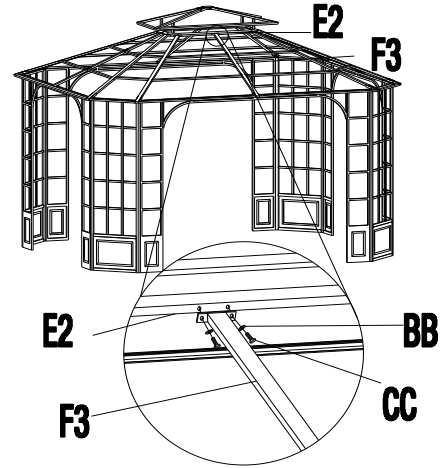


10 Attaching the middle beams

- Use bolts (CC) and flat washers (BB) to attach the middle beams (F3) to the long beams (E2).



NOTE: To avoid destroying the finish, please handle it with care.

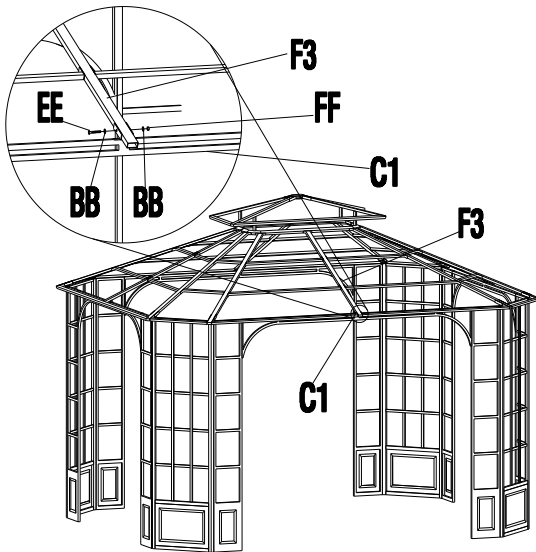


11 Connecting the middle beams to the connector

- Use screws (EE), flat washers (BB) and nuts (FF) to attach the middle beams (F3) to the connector (C1).



NOTE: To avoid destroying the finish, please handle it with care.

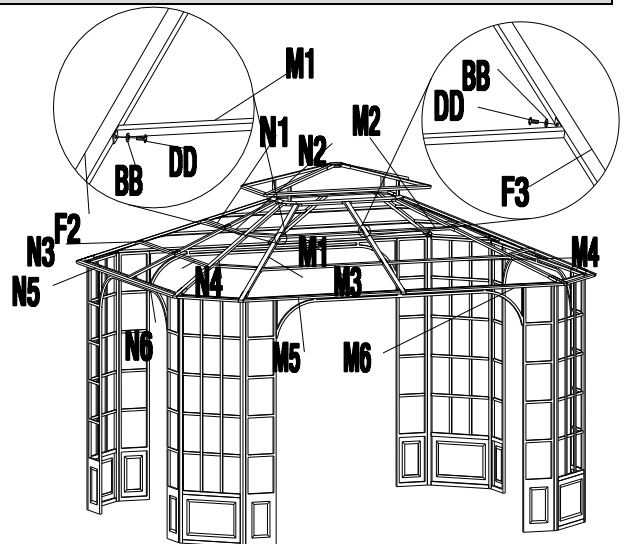


12 Attaching the beams

- Use screws (DD) and flat washers (BB) to attach the left beam (M1) to the middle beam (F3) and slide beam 2 (F2). Repeat for the remaining beams (M2, M3, M4, M5, M6, N1, N2, N3, N4, N5, and N6).



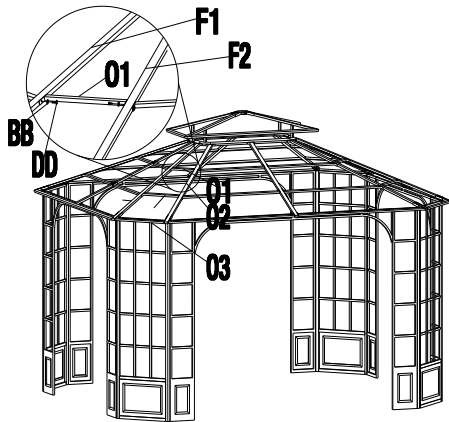
NOTE: To avoid destroying the finish, please handle it with care.



Assembly (continued)

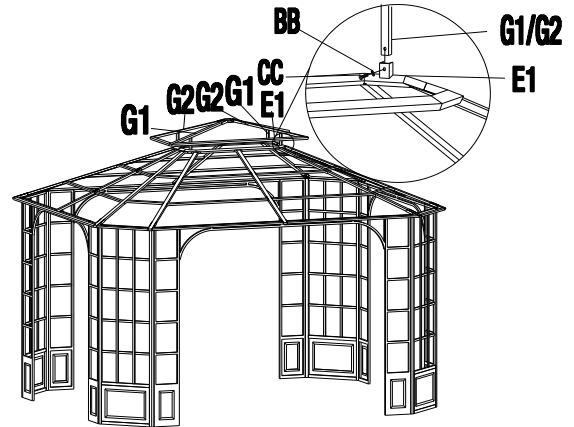
13 Attaching the upper beams

- Use screws (DD) and flat washers (BB) to assemble upper beam (O1) to the middle of slide beam 1 (F1) and slide beam 2 (F2). Repeat this step to assemble small middle beam 2 (O2) and lower beam 3 (O3).



14 Attaching the small beam

- Use bolts (CC) and flat washers (BB) to attach the small beam (G1&G2) to the short beam (E1).

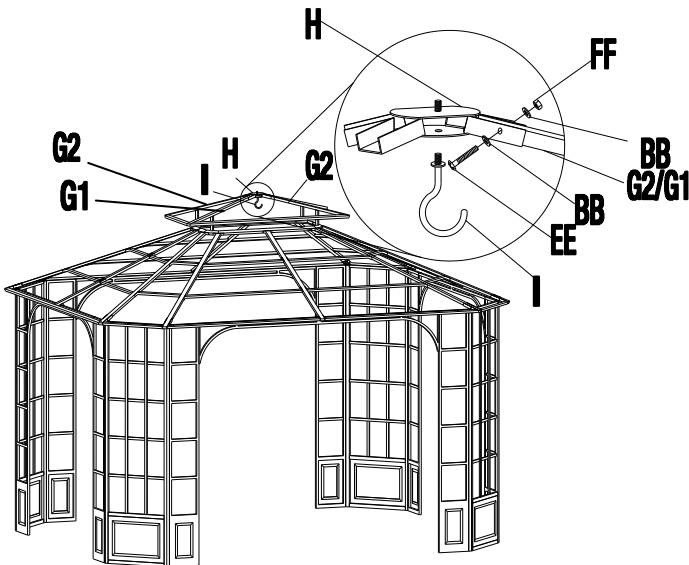


15 Connecting the small beam to the connecting tray

- Use screws (EE), flat washers (BB) and nuts (FF) to attach the small beam (G1&G2) to the connecting tray (H). Attach the hook (I) to the connecting tray (H).



NOTE: To avoid destroying the finish, please handle it with care.

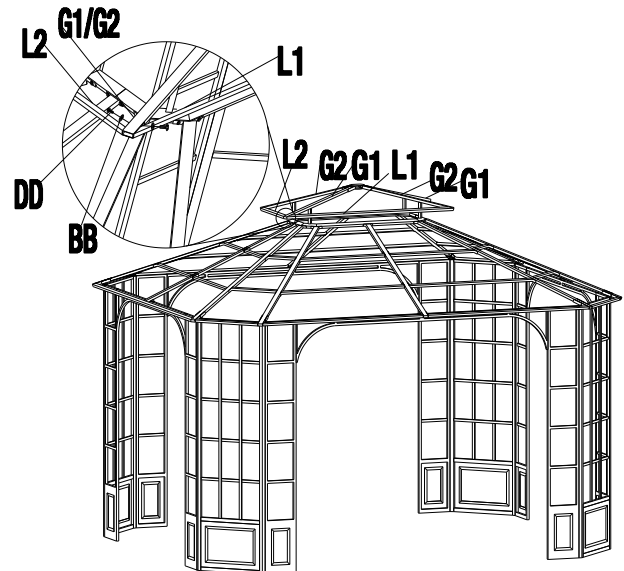


16 Attaching the lower tubes

- Use screws (DD) and flat washers (BB) to attach the lower tube 1 (L1) and lower tube 2 (L2) to the small beam (G1&G2).



NOTE: To avoid destroying the finish, please handle it with care.



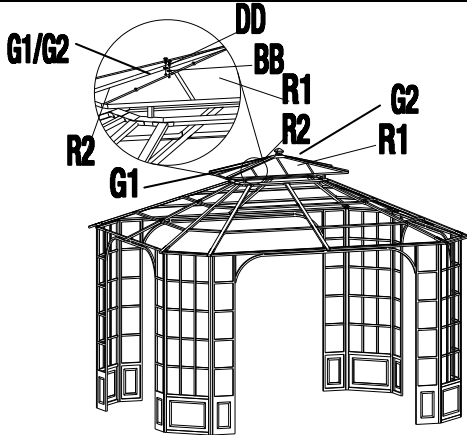
Assembly (continued)

17 Attaching the small long cover

- Use screws (DD) and flat washers (BB) to attach the small long cover 1 (R1) and short long cover (R2) to the small beam (G1&G2).

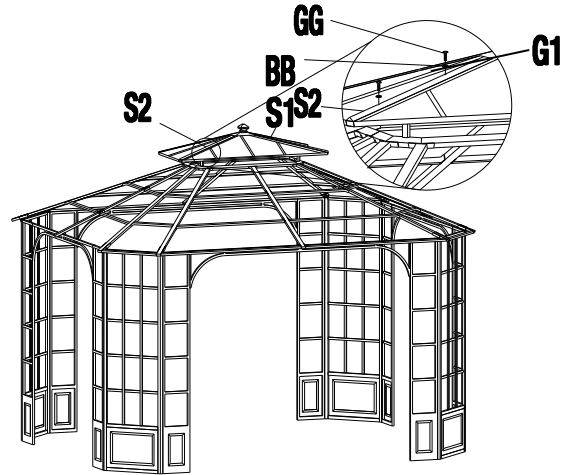


NOTE: To avoid destroying the finish, please handle it with care.



18 Attaching the small cover

- Use screws (GG) and flat washers (BB) to attach the small cover board (S) to the small beam (G1&G2).

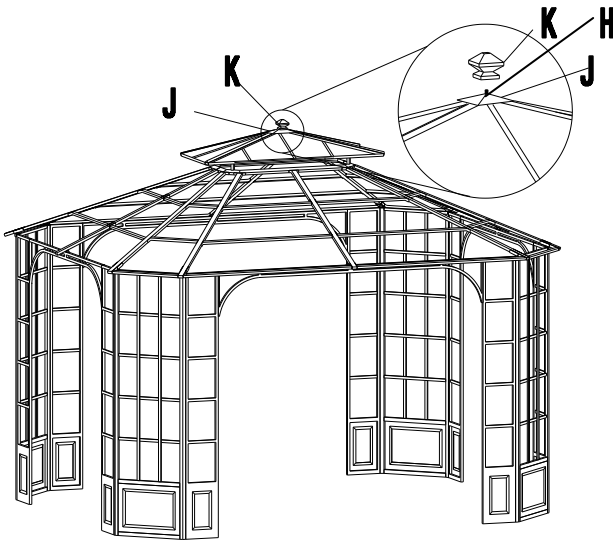


19 Attaching the finial

- Assemble the small cover (J) to the small top and attach the finial (K) to the connecting tray (H).



NOTE: To avoid destroying the finish, please handle it with care.

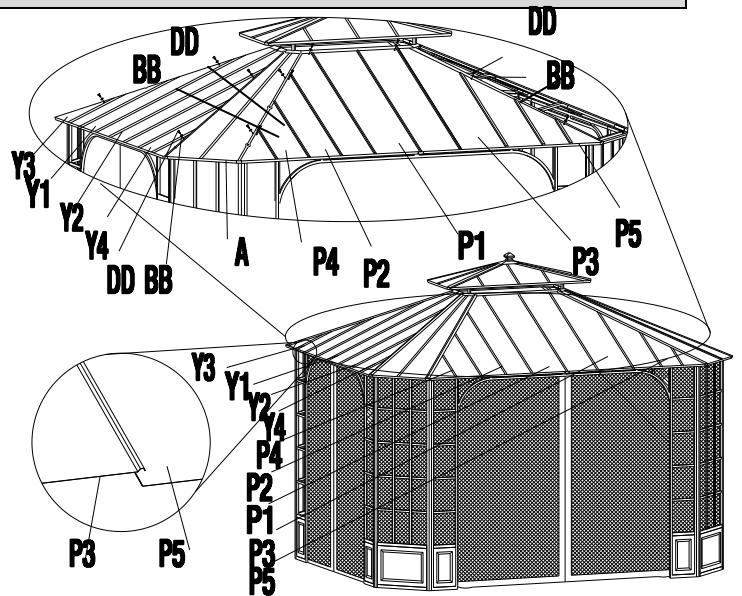


20 Attaching the covers

- Use screws (DD) and flat washers (BB) to attach the covers (P1, P2, P3, P4, P5, Y1, Y2, Y3, Y4, Q) from the right to the left.



NOTE: To avoid destroying the finish, please handle it with care.



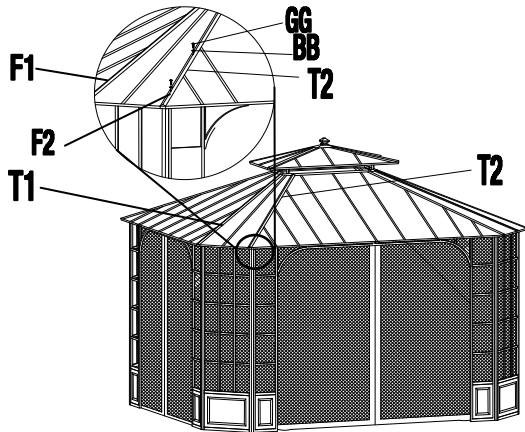
Assembly (continued)

21 Attaching the big cover

- Use screws (GG) and flat washers (BB) to attach the big cover board (T1&T2) to the slide beam 1 (F1) and slide beam 2 (F2).



NOTE: To avoid destroying the finish, please handle it with care.

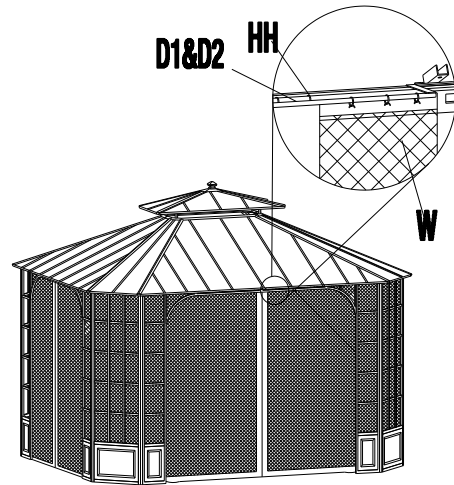


22 Attaching the mosquito netting

- Use the ring (HH) to attach the mosquito netting (W) to the netting tubes (D1 & D2).



NOTE: To avoid destroying the finish, please handle it with care.

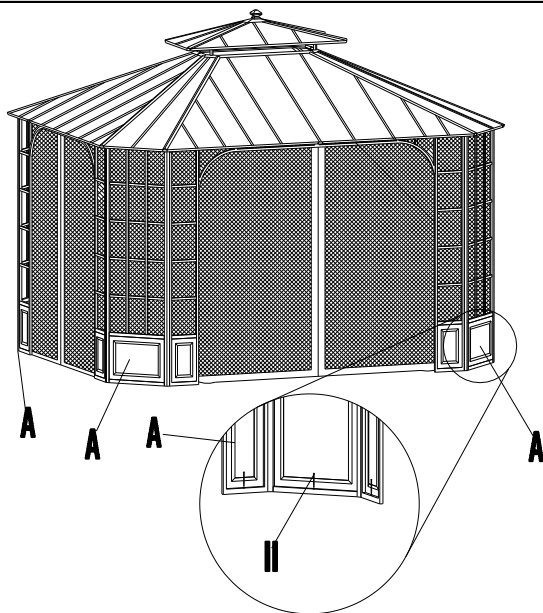


23 Securing the gazebo to the ground

- Use stakes (II) to secure the gazebo to the ground.



NOTE: To avoid destroying the finish, please handle it with care.



IMPORTANT:

1. Keep all children and pets away from assembly area. Children and pets should be supervised when they are in the area of gazebo construction.
2. The area for assembly should not be less than 6 feet from any obstruction such as fence, garage, house, overhanging branches, laundry line or electrical wires.
3. This unit is heavy. Do not assemble this item alone. Six people are recommended for safe assembly.
4. Some parts may contain sharp edges. Wear protective gloves if necessary during assembly.
5. When assembling and using this product, basic safety precautions should always be followed to reduce the risk of personal injury and damage to equipment. Please read all instructions before assembly and use.
6. For outdoor use only. Install on level ground. Stakes are provided to secure the gazebo in grass ground. If you wish to secure the gazebo to a wood deck or concrete surface, you will need to purchase fasteners appropriate for these surfaces. These are readily available at your local hardware store or home center.
7. Check all bolts for tightness before and during usage.
8. While this gazebo is manufactured to withstand gale force winds utilizing only the supplied ground stakes, in areas subject to frequent severe weather, securing the gazebo to a deck, concrete patio or footings should be considered.
9. While this gazebo is manufactured to withstand gale force winds utilizing only the supplied ground stakes, in areas subject to frequent severe weather, securing the gazebo to a deck, concrete patio or footings should be considered.
10. Your gazebo has been engineered to accommodate winter snow loads incurred in most areas. Removal of accumulated snow on the gazebo roof with a roof rake is recommended. In areas that are regularly subject to blizzard conditions however, removal of the roof panel is suggested. The assembled roof structure can simply be left intact until warmer conditions return.

Maintenance:

Our iron/steel components for garden accessories and patio items are coated with rust inhibiting paint that protects it from rusting. However, due to the nature of iron, surface oxidation (rusting) will occur once these protective coatings are scratched. This is a natural process and is not a defect! To minimize this condition, we recommend care when assembling & handling the product to prevent scratching the paint. Should any scratching or damage occur, we recommend immediate touch-up with rust inhibiting paint. Surface rust can also be easily removed with a very light application of common cooking oil. If surface oxidation (rusting) occurs and if no measure is taken to prevent this, the oxidation may start dripping on to deck or patio and cause damaging stains, which may be difficult to remove. This can be prevented if measure is taken to keep the product from oxidizing.

IMPORTANT - Please do not return this product to the store.

Please take time to read these instructions thoroughly and follow each step carefully for safe and easy operation. Keep this manual for future reference. For technical assistance on assembly or replacement parts, call Sunjoy Industries at 1-866-578-6569 from 8:30AM to 5:30PM EST, or email us at customer.care@sunjoydirect.com, or visit www.sunjoydirect.com for assistance.

Made in China