

Honeywell

EN Portable Air Conditioner
User Manual

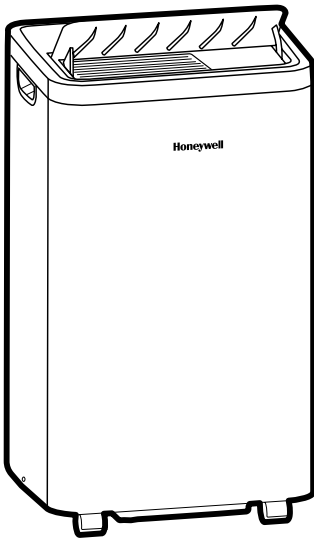
Read and save these instructions before use

FR Climatiseur portatif
Mode d'emploi

Lire ces consignes avant l'utilisation de l'appareil et les conserver

ES Aire Acondicionado Portátil
Manual del Usuario

Lea y guarde estas instrucciones antes de usar la unidad



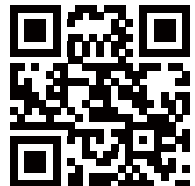
Model / Modèle / Modelo:
HW2CESAWW9
HW2HESAWW9

Customer Support:
Assistance Au Client:
Servicio de atención a clientes:
Web: www.jmatek.com
USA: 1-800-474-2147 | usinfo@jmatek.com
CANADA[^]: canadainfo@jmatek.com

[^] Canada Customer Support service available for models sold in Canada only.

[^] Le Service Client Canadien est disponible uniquement pour les modèles vendus sur le territoire Canadien.

[^] Servicio de Atención A Clientes en Canadá disponible solo para modelos vendidos en Canadá.



READ AND SAVE THESE INSTRUCTIONS

IMPORTANT SAFETY INSTRUCTIONS. READ CAREFULLY AND KEEP FOR FUTURE REFERENCE. IN CASE THERE IS ANY INCONSISTENCY OR CONFLICT BETWEEN THE ENGLISH VERSION AND ANY OTHER LANGUAGE VERSION OF THE CONTENT OF THIS MATERIAL, THE ENGLISH VERSION SHALL PREVAIL.

WARNING:



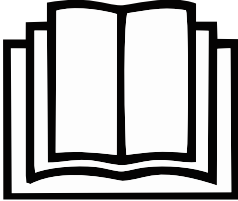


- DO NOT operate the unit with a damaged plug or loose wall outlet. If the supply cord is damaged, it must be replaced by the manufacturer, its service agent or similarly qualified persons in order to avoid a hazard.
- DO NOT cover the air intake and exhaust when in use.
- DO NOT place objects on or sit on the unit.
- Always turn off and unplug the unit when cleaning or servicing.
- DO NOT use the appliance if it is damaged.
- If service is needed contact an authorized service agent.
- Unplug the unit when stored or not in use.
- DO NOT pull or carry the appliance by the power cord.
- DO NOT pinch the power cord in the door and DO NOT pull it along edges or sharp corners.
- DO NOT run the power cord under carpeting and rugs.
- Use caution to prevent tripping on cord.
- DO NOT use the device in the following cases:
 - Near a fire source
 - In areas where gasoline, paint or other flammable goods are stored
 - In an area where the water can be projected
- DO NOT touch the plug or the device with wet hands.
- Basic safety precautions should always be followed when using electrical appliances.
- This appliance has been manufactured for use in domestic environments and should not be used for other purposes.

SAFETY (CONTINUED)

- **Only use the installation kit provided to install this unit. DO NOT attempt to extend the hose or install this unit using other methods other than those shown in this manual. Improper installation will void any existing warranties.**
- DO NOT use an extension cord with this unit.
- This appliance can be used by children aged from 8 years and above, and persons with reduced physical, sensory or mental capabilities or lack of experience and knowledge if they have been given supervision or instruction concerning use of the appliance in a safe way and understand the hazards involved. Children shall not play with the appliance. Cleaning and user maintenance shall not be made by children without supervision.
- Never insert your fingers or rods into the air outlet. Take special care to warn children of these dangers.
- The manufacturer is not liable for injury caused to persons or property damage due to non-compliance with maintenance instructions and improper use of the appliance.
- The appliance shall be installed in accordance with national wiring regulations.
- The appliance is not to be used by persons (including children) with reduced physical, sensory or mental capabilities, or lack of experience and knowledge, unless they have been given supervision or instruction.
- Children should be supervised to ensure that they do not play with the appliance.
- Electrical equipment and installations regulated by national legislation must be followed.
- The appliance should be transported upright.
- DO NOT turn on the appliance for at least one hour before first use.
- It is essential that the appliance is connected to an efficient ground connection checked by a qualified electrician.

SAFETY (CONTINUED)

- Stagnation of possible leaks of refrigerant gas in unventilated rooms could lead to fire or an explosion hazard should the refrigerant come in contact with electric heaters, stoves or other sources of ignition.
- Use care when storing the appliance to prevent mechanical faults.
- Only persons authorized by an accredited agency certifying their competence to handle refrigerants in compliance with sector legislation should work on refrigerant circuits.
- DO NOT use means to accelerate the defrosting process or to clean the unit other than those recommended by the manufacturer.
- Flammable substances or pressurized containers (e.g. aerosol cans) should be kept a minimum of 1.7 feet (50 cm) away from heat or fire.
- Use only implements recommended by the manufacturer for defrosting or cleaning.
- DO NOT operate your air conditioner in a wet room such as a bathroom or laundry room.
- This appliance should be used in a room that allows for good ventilation between the unit and any walls/furniture or other objects. The room size should correspond to the room area as specified for operation by the manufacturer and the appliance should be well kept to prevent mechanical damage.
- Keep ventilation openings clear of obstructions.
- Do not pierce or burn the refrigerants.
- Be aware that refrigerants may not contain an odor.
- Do not modify this appliance in any way so as to avoid danger.
- All working procedures that affect safety shall only be carried out by competent persons.

| SYMBOL | NOTE | EXPLANATION |
|---|----------------|--|
| <p>R290</p>  | <p>WARNING</p> | <p>This symbol shows that this appliance uses a flammable refrigerant. If the refrigerant is leaked and exposed to an external ignition source, there is a risk of fire.</p> |
| <p>R32</p>  | | |
|  | <p>CAUTION</p> | <p>This symbol shows that the operation manual should be read carefully.</p> |
|  | <p>CAUTION</p> | <p>This symbol shows that a service personnel should be handling this equipment with reference to the installation manual.</p> |
|  | <p>CAUTION</p> | <p>This symbol shows that information is available such as the operating manual or installation manual.</p> |

Additional warnings for appliances with R290/R32 refrigerant gas.

- Read the instructions carefully before using the appliance.
- R290/R32 refrigerant gas complies with UL60335-2-40 / UL60335-1.
- This appliance contains a certain number of grams (see rating label at the back of the unit) of R290/R32 refrigerant gas. The maximum refrigerant charge amount is not greater than R290 0.304kg / R32 1.84 kg based on UL60335-2-40.
- When defrosting or cleaning, do not use any method other than those recommended by the manufacturer.
- Do not place the appliance in a room with continuous sources of ignition (e.g. open flame, operating gas appliance or working electrical heater).
- Do not pierce and do not burn.
- Do not perforate any part of the refrigerant circuit.
- Refrigerant gas may be odorless.
- The appliance must be installed, used and stored in an area that is greater than R290 gas: 15 m²; R32 gas: 4 m².
- Accumulation of possible refrigerant leaks in an unventilated room could lead to fire or explosion should the refrigerant come in contact with electric heaters, stoves or other sources of ignition.
- The appliance must be stored in a way to prevent mechanical damage and in a well-vented area.
- Only individuals authorized by an accredited organization certifying their competence to handle refrigerants in compliance with industry legislation should work on the refrigerant circuit.
- Servicing shall be performed only as recommended by the manufacturer.
- All working procedures that affect safety means shall only be carried by competent persons.



Repair must be performed based on the recommendations from the manufacturer. Maintenance and repair that requires the assistance of other qualified personnel must be performed under the supervision of specialists in the use of flammable refrigerants.

Transportation, marking and storage for units.

1. Transport of equipment containing flammable refrigerants must comply with local transport regulations.
2. Marketing of equipment using signs must comply with local regulations.
3. Disposal of equipment using flammable refrigerants must comply with national regulations.
4. The storage of equipment should be in accordance with the manufacturer's instructions.
5. Storage package protection should be constructed such that mechanical damage to the equipment inside the package will not cause a leak of the refrigerant charge.
The maximum number of pieces of equipment permitted to be stored together will be determined by local regulations.



This marking indicates that this product should not be disposed with other household waste throughout the US. To prevent possible harm to the environment or human health from uncontrolled waste disposal, recycle it responsibly to promote the sustainable reuse of material resources. To return your used device, please use return and collection systems or contact the retailer where the product was purchased. They can take this product for environmentally safe recycling.

THANK YOU

Congratulations on your purchase of this Honeywell Portable Air Conditioner.

Regarding the information pertaining to the installation, handling, servicing, cleaning and disposal of the appliance, please refer to the below section of the manual.

USER TIPS

Portable Air Conditioners are ideal for spot cooling. The compressor, condenser and evaporator are housed in a compact unit. The air is dehumidified and cooled while a flexible *Hose* sends heat outside. The air conditioner includes a window venting kit. No permanent installation is needed. The unit is easy to move from room to room and offers a truly flexible air conditioning solution.

Auto Evaporation System - The unit automatically evaporates the condensate through the *Hose*. There is no need to empty the drainage tank except in very humid conditions. Read and follow the instructions carefully.

To ensure optimal efficiency of the product, keep doors and windows closed when it is used as an air conditioner or dehumidifier. If the product is being used with the fan function only, an open window could improve air circulation.



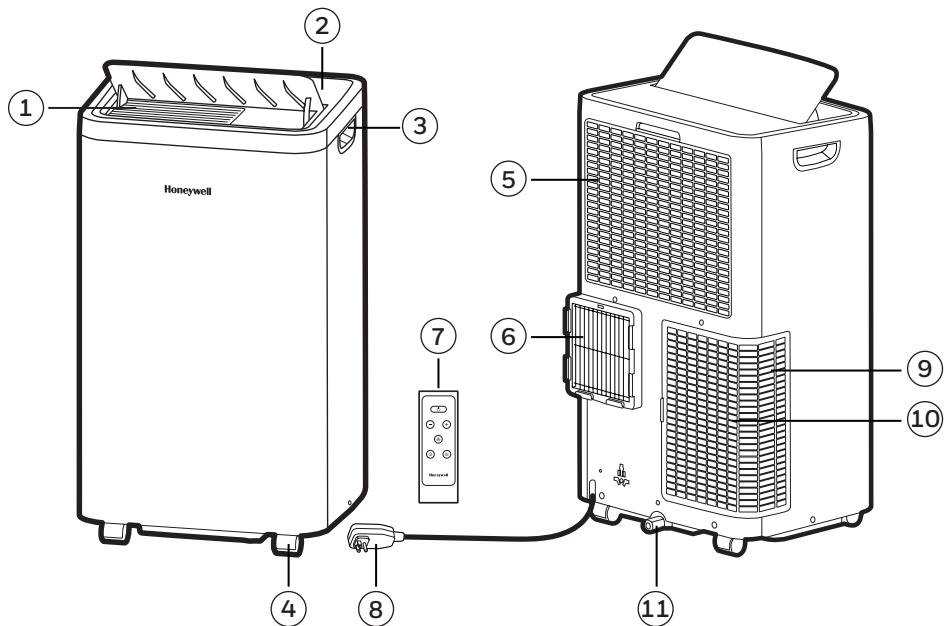
Important:

Before installing the unit, place it UPRIGHT for 1 hour before use to allow the refrigerant to stabilize. Manually adjust the air vent located at the front of the unit to adjust the direction of air flow.

- Follow installation instructions to set up the unit.
- Plug the unit into a properly grounded circuit. DO NOT plug into an extension cord.

*Applicable for models with Heating feature only.

PARTS DESCRIPTION



1) Air Outlet

2) Control Panel
(Includes signal receptor)

3) Handle

4) Casters

5) Upper Grill

6) Exhaust Hose Connector

7) Remote Control

8) Power Supply Cord

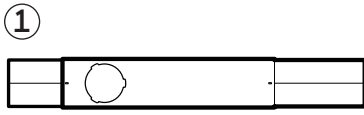
9) Lower Grill

10) Lower Dust Filter

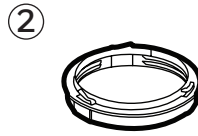
11) Lower Drain Plug with Plastic Cap
(Air Conditioning Mode)

INSTALLATION

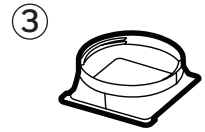
It is important that the installation instructions below are followed for successful installation of this Portable Air Conditioner. Please call Customer Support if you have any difficulties or questions regarding these installation procedures.



x1



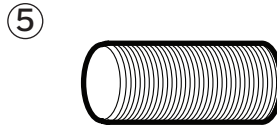
x1



x1



x1



x1



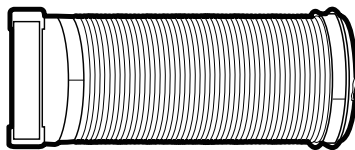
x2

Installation Kit:

- | | | | |
|---------------------------------|-----------|---------------------|------------|
| 1. Window Bracket Kit | (1 Set) | 4. Hole Cover | (1 Piece) |
| 2. Window Bracket Panel Adapter | (1 Piece) | 5. Exhaust Hose | (1 Piece) |
| 3. Exhaust Hose Connector | (1 Piece) | 6. Butterfly Screws | (2 Pieces) |

Installation Steps:

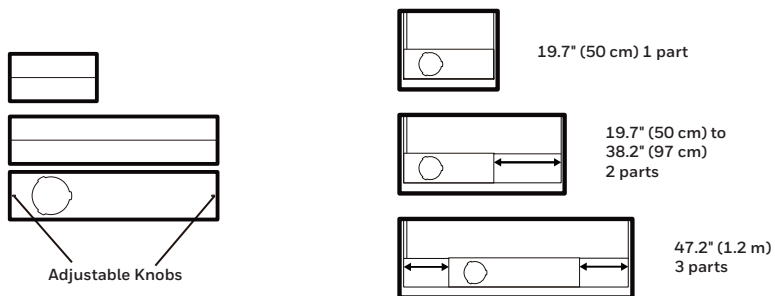
1. The Exhaust Hose Connector, Exhaust Hose and Window Bracket Panel Adapter are pre-assembled inside the package.



Exhaust Hose:
Length: 12" to 47" (30 cm to 120 cm)

INSTALLATION (CONTINUED)

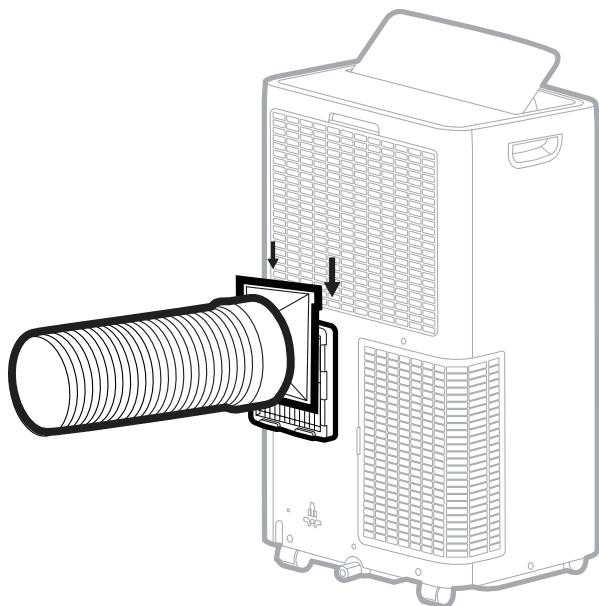
- There are 3 varying lengths to the window bracket, 19.7 inches (50 cm), 38.2 inches (97 cm) and 47.2 inches (1.2 m). For sizes smaller than the listed size please bring the panel to your local hardware shop to be cut to the length you need. The bracket can be installed horizontally or vertically.



Adjust the length of the window bracket in accordance with the height or width of the window frame. When the length is set, tighten the Adjustable Knobs (preinstalled on the window bracket) to ensure the window bracket is secured in the desired position. Use one or all three pieces of the window bracket as needed.

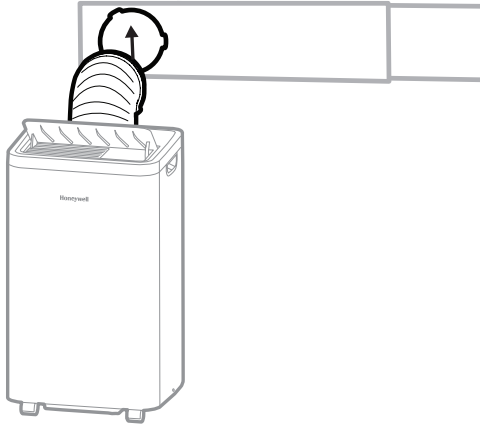
Note: After setting the window bracket to the size of your window, please remove it from the window and follow the instructions below.

- Connect the Exhaust Hose to the rear exhaust outlet on the back of the unit. Slide in the Hose Connector from up to down.

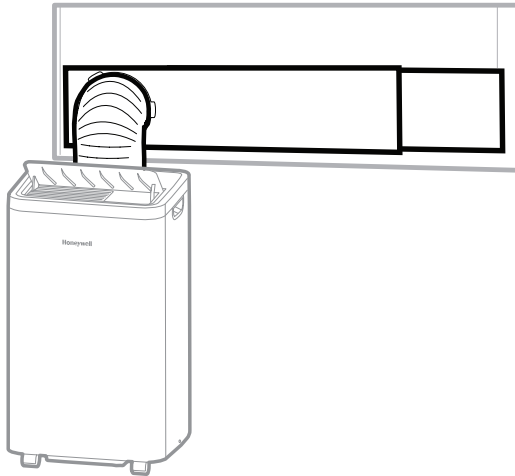


INSTALLATION (CONTINUED)

4. Connect the window bracket to the window bracket panel adapter. Slide in the window bracket panel adapter then rotate clockwise until it is locked in place.



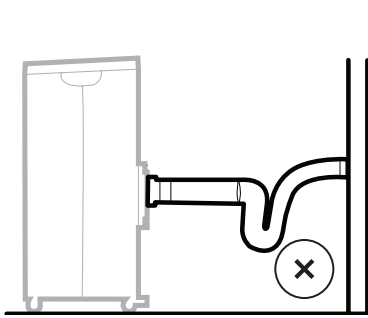
5. Connect the window bracket to the window.



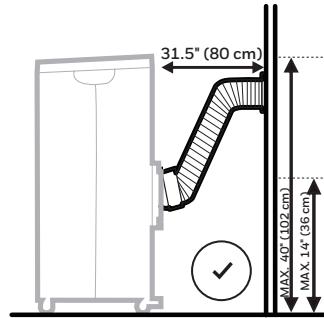
6. The Portable Air Conditioner is now ready to use.

INSTALLATION (CONTINUED)

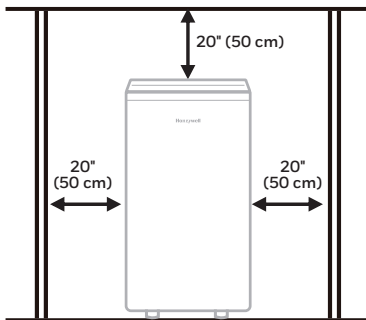
IMPORTANT: Do not replace or lengthen the Exhaust Hose as this could cause the unit to malfunction.



NOT RECOMMENDED



RECOMMENDED

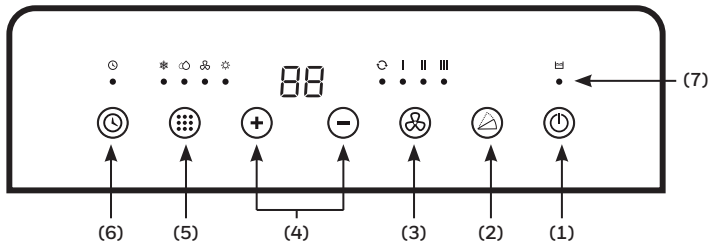


THE MINIMUM AIR SPACE

WARNING: Any warranties included with this product will be voided if an extra extension hose is used in addition to the one provided or if the installation is performed differently than the manufacturer's instructions without proper consultation. Please contact Customer Support for help with installation procedures if needed.

- The supplied Exhaust Hose has a diameter of 5.5" (14 cm) and can be extended from 12" to 47" (30 cm to 120 cm).
- Do not bend (to the extent shown above) the Exhaust Hose. A bent hose will block exhaust air and cause the unit to malfunction or shut off.
- Make sure the back of the unit is at least 31.5" (80 cm) away from the wall and the minimum air space from top / front / left / right is 20" (50 cm). Do not place the unit in front of curtains or drapes as this could obstruct the airflow.

CONTROL PANEL





- | | | |
|----------------------|-------------------------------------|---------------------|
| 1) Power Control | 4) Timer / Temperature Set Controls | 7) Water Full Light |
| 2) Swing Control | 5) Mode Control | |
| 3) Fan Speed Control | 6) Timer Control | |

FUNCTION BUTTONS

POWER CONTROL

The Power Control turns the unit on and off. Usage humidity range: 30% - 80% RH.

SWING CONTROL

Press the  button on control panel to activate automatic oscillation of louvers. Press the  button again to stop the swing when louvers have reached your desired angle.


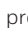

Note: In order to avoid damaging the internal mechanisms, the louvers must not be moved manually.

Note: After switching the air conditioner off, you must wait 3 minutes before switching it back on.

FAN SPEED CONTROL

4 settings: Auto , Low , Medium , and High .

Auto Fan

Press the + or - button to select the temperature you want. Press the Mode  button to select cooling or heating mode. After you press fan button  and select Auto Fan , the unit will automatically run its fan speed depending on the temperature difference between the set & room temperature.

Note: Auto: This function can be selected under cooling or heating mode only.

*Applicable for models with Heating feature only.

FUNCTION BUTTONS (CONTINUED)

TEMPERATURE CONTROLS



- Used for adjusting the thermostat.
- The default display is room temperature.
- In cooling mode, when + or - button is pressed, the set temperature is displayed and may be adjusted. After a few seconds the display will revert back to room temperature. Temperature is only adjustable in cool or heating mode.

Note: By pressing both + or - buttons at the same time, the display will toggle between Fahrenheit (°F) and Celsius (°C).



MODE CONTROL

Settings: Air Conditioning, Dehumidifying, Fan, Heating*.

The corresponding indicator light will illuminate to indicate the current mode setting.

- Air Conditioning Mode (COOL) 
Adjust fan speed and air temperature to suit your desired comfort level.
Temperature setting range is 61°F - 89°F (16°C - 32°C).
- Dehumidifying Mode (DRY) 
Air is dehumidified as it passes through the unit, without being in full cooling mode.
If room temperature is higher than 77°F (25°C) fan speed can be adjusted; otherwise fan speed is preset to LOW.

Note: If the unit will be used mainly as a dehumidifier, do not connect the exhaust hose. Continuous drainage is then necessary (refer to Continuous Draining for Dehumidifier Mode).

- Fan Mode 
For air circulation without air conditioner cooling.
- Heating Mode* 
When heating mode is selected the indicator light will illuminate. Heating is activated when the ambient temperature is between 44°F - 77°F (7°C - 25°C). In this mode, the desired temperature can be set between 61°F - 77°F (16°C - 25°C).

Note: The exhaust hose must vent outside the room when using heating mode.

IMPORTANT: The Heat pump draws moisture from the air which then condenses into the internal water tank. The unit will pause operation when the tank is full and will restart when the tank has been emptied. It is recommended to use the Heating Mode in a room with 50% humidity or lower. Avoid operating moisture-producing products or appliances such as a humidifier or a kettle when using the unit in Heating Mode. See the "Draining Water Condensation in Heat Mode" section for more information on draining the water tank.


*Applicable for models with Heating feature only.

FUNCTION BUTTONS (CONTINUED)

TIMER CONTROL

While the unit is turned on, press the timer button and then press the + or - to select the number of hours you would like the unit to continue to run. The unit will turn off automatically.

AUTO TURN OFF:

While unit is running, press the  first and then the display will flash. While the display is flashing, press the + or - button to select the number of hours after which you want the unit to turn OFF automatically.

AUTO TURN ON:

When the unit is in a standby mode, press the  button first and then press the + or - button to select the number of hours until you want the unit to automatically start running.

Note: The time is adjustable between 1 - 24 hours.

WATER FULL LIGHT

Condensate may accumulate in the unit.

If the internal tank becomes full, the Water Full Light  will illuminate. The unit will not operate until the tank has been drained (refer to the "Water Condensate Drainage" section).

WARNING LIGHT

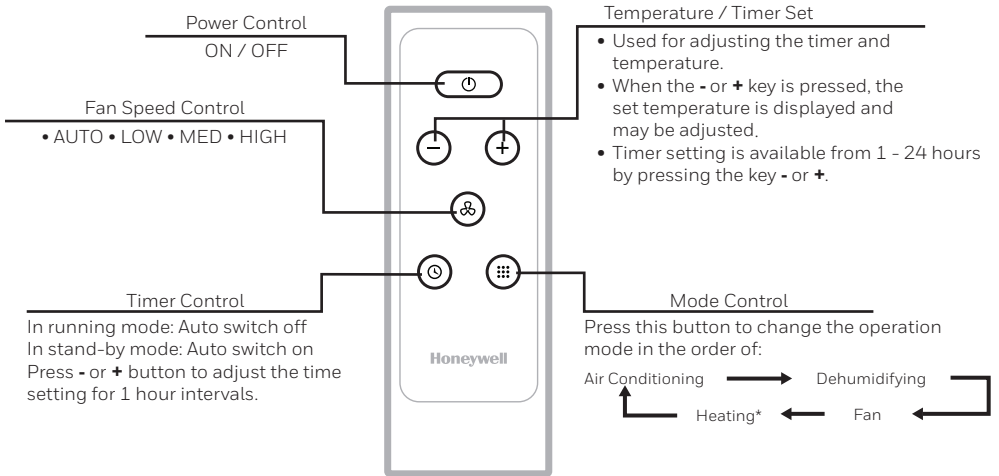
Condensate may accumulate in the unit.

If the internal tank becomes full, the warning light will flash and beep 10 times. The unit will not operate until the unit has been drained (refer to Water Condensate Drainage).

After switching the air conditioner off, you must wait 3 minutes before switching it back on again.

REMOTE CONTROL

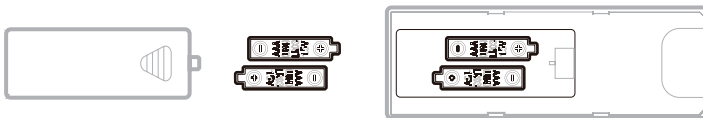
The functions work the same as the Portable Air Conditioner's Control Panel. All key functions can be accessed from the remote control.



Note:

- Battery Installation: Remove the cover on the back of the remote control and insert two AAA batteries with + and - pointing in the proper direction according to the polarity markings.

*Applicable for models with Heating feature only.



Caution:

- Use only two AAA or IEC R03 1.5V batteries.
- Remove the batteries if the remote control is not in use for a month or longer.
- All batteries should be replaced at the same time. Do not mix with old batteries.
- Do not mix alkaline, standard (carbon-zinc) or rechargeable (nickel-cadmium) batteries.
- Properly dispose of used batteries.

This device complies with part 15 of the FCC Rules. Operation is subject to the following two conditions: (1) this device may not cause harmful interference, and (2) this device must accept any interference received, including interference that may cause undesired operation.

This equipment has been tested and found to comply with the limits for a Class B digital device, pursuant to part 15 of the FCC Rules. These limits are designed to provide reasonable protection against harmful interference in a residential installation. This equipment generates, uses and can radiate radio frequency energy and, if not installed and used in accordance with the instructions, may cause harmful interference to radio communications. However, there is no guarantee that interference will not occur in a particular installation. If this equipment does cause harmful interference to radio or television reception, which can be determined by turning the equipment off and on, the user is encouraged to try to correct the interference by one or more of the following measures:

- Reorient or relocate the receiving antenna.
- Increase the separation between the equipment and the receiver.
- Connect the equipment into an outlet on a circuit different from that to which the receiver is connected.
- Consult the retailer or an experienced radio/TV technician for help.

Caution: Any changes or modifications not expressly approved by the party responsible for compliance could void the user's authority to operate the equipment.

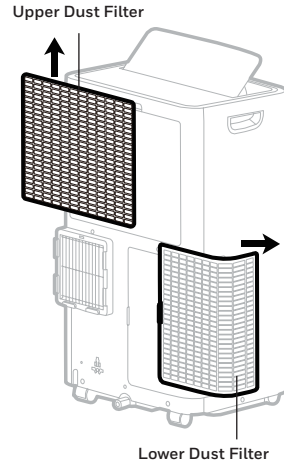
Appliance Maintenance:

1. Turn off the appliance before disconnecting the power supply.
2. Only clean the appliance with a soft dry cloth.

Dust Filter Maintenance:

The dust filter is to be cleaned every two weeks to maintain air cooling efficiency. Please follow the below instructions for cleaning the dust filters:

1. Turn off the appliance and remove the upper and lower dust filters.
2. Rinse in lukewarm water. After cleaning, dry in a shaded and cool place, then reinstall.



End of Season Storage & Maintenance:

If the appliance will not be used for a long time, follow these steps:

1. Be sure to drain the left-over water condensation. Remove the lower drain plug and use a shallow pan to collect the water (make sure to replace the drain plug when finished).
2. To dry excess moisture, run the unit in Fan only mode for 30 minutes before storing.
3. Turn off and unplug the air conditioner from the power supply.
4. Remove the dust filter and clean with water. Dry the dust filter and then reinstall.
5. Disconnecting the Window Installation Kit:
 - Remove the Hose from the unit by rotating counter-clockwise to unlock the knob mechanism and then sliding it out.
 - Remove the window bracket panel adapter from the window bracket by rotating counter-clockwise and then pulling away.
 - It is recommended to store the Window Kit parts in a bag together with the Remote Control and place them together with the air conditioner unit.
 - If needed, you can clean the Window Kit with a damp cloth before storing. Make sure all parts of the Window Kit are dry before storage.
6. Cover the air conditioner with a cloth/plastic bag before storage to protect from dust and scratches collecting on the surface of the unit.
7. It is recommended to coil the power cord before storing to ensure the cord is protected from dents and creases.
8. Store the air conditioner in a cool, dry place, away from direct sunlight.

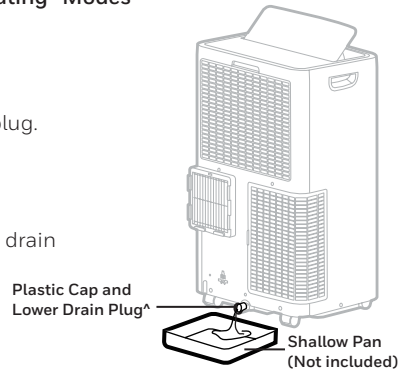
WATER CONDENSATION DRAINAGE

When there is excess water condensation inside the unit, the air conditioner stops running and shows a warning light (the Power Control button flashes with a red light). This warning light indicates that the water condensation needs to be drained using the following procedures:

Manual Draining in Cooling, Dehumidifying and Heating* Modes

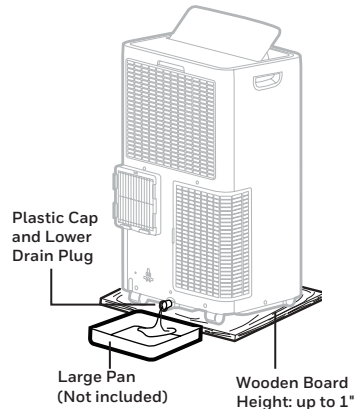
Water may need to be drained in high humidity areas.

1. Unplug the unit from power source.
2. Place a shallow pan under the lower rubber drain plug. See diagram.
3. Remove the lower rubber drain plug.
4. Water will drain out and collect in the shallow pan.
5. After the water is drained, replace the lower rubber drain plug firmly.
6. You can now turn on the unit.



If you find that there is a high volume of condensation and a shallow pan is not enough for your use, you can use a large pan to drain. Follow the below instructions carefully:

1. Find a flat, stable board that is up to 1" thick. The base could be a wooden board purchased from your local hardware store, with a minimum base dimension of 20" (length) x 17" (width) x 1" (thickness).
2. The base should be large and sturdy enough to fit the Portable Air Conditioner on top. The air conditioner must be stable and not rock or move when positioned on this base and not easily topple over.
3. Drain the water from the lower drain plug as needed, into a larger pan or through a drain tube. If using a drain tube, you can purchase vinyl tubing which has an outside diameter of 5/8" and an inside diameter of 1/2". Remember the drain tube must be positioned lower than the drain plug so the water condensation does not flow backwards back into the air conditioner.



WARNING: For safety reasons, the Portable Air Conditioner must NOT be positioned on a base that is higher than 1" from the floor. This is only recommended if you have a stable, flat base to position the Portable Air Conditioner on safely.

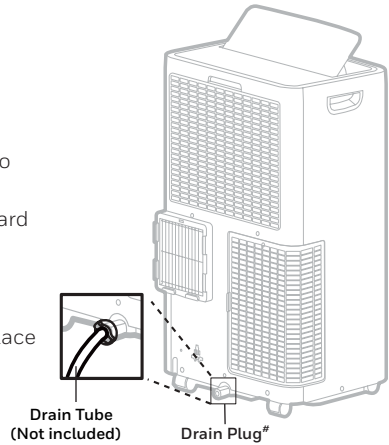
*Applicable for models with Heating feature only.

^External Dia.: 17 mm

Continuous Draining in Dehumidifier Mode

While using the unit in dehumidifier mode, continuous drainage is recommended.

1. Unplug the unit from power source.
2. Remove the lower rubber drain plug.
Some residual water may spill so please have a pan to collect the water.
3. Connect the drain connector to a 3/4" hose or standard garden hose (not included).
4. The water can be continuously drained through the drain tube into a floor drain or down drain.
5. When draining is complete, remove the tube and replace the drain plug. See diagram.
6. You can now turn on the unit.



IMPORTANT: It is NOT recommended to connect the drain hose for continuous drainage while the unit is switched ON in air conditioning cooling mode. Doing so can reduce the cooling efficiency of the Portable Air Conditioner. Only drain the water condensation when the unit is switched off. Continuous drainage is only suitable when the unit is set up in Dehumidifier mode.

A longer drain hose or not enough height difference from drain plug to floor can reduce the water drainage.

IMPORTANT: The water cannot be drained using the continuous drain option in Heating* mode. In Heating mode, the internal water tank collects condensation faster and may require more frequent emptying of the tank in more humid rooms. It is recommended to use the Heating mode in a room with 50 % humidity or lower. Avoid operating moisture-creating products or appliances such as a humidifier or a kettle when using the unit in heating mode.

*Applicable for models with Heating feature only.

#External Dia.: 17 mm

TROUBLESHOOTING GUIDE

The following troubleshooting guide addresses the most common problems. If problems persist, call customer support. Unplug and disconnect the appliance from the power source before attempting to troubleshoot.


| PROBLEM | POSSIBLE CAUSE | SOLUTION |
|---|--|---|
| The air conditioning unit does not start | No electricity. | Check for power. |
| | Batteries in the remote control need to be replaced. | Change remote control batteries. |
| | The power cord is not properly plugged in. | Remove and reconnect the power cord. |
| | The safety LCDI plug has tripped (USA / Canada / Mexico only). | Reset the safety LCDI Plug. If problem persists contact our customer support (USA / Canada / Mexico only). |
| Runs a short while only | The thermostat temperature setting is too close to room temperature. | Lower the set temperature. |
| | Air outlet is blocked. | Make sure the Exhaust Hose is properly connected. |
| | There are tight bends in the air Exhaust Hose. | Connect Exhaust Hose as per instructions on page 3. |
| In Heating Mode*, the unit keeps switching off frequently | The room is too humid. Water Tank needs to be emptied. | In heating mode, the heat pump condenses moisture from the air into the internal water tank. In more humid rooms, it will collect faster and need to be emptied out more frequently. It is recommended to use the heating mode in 50% humidity or less. Switch off any appliances such as a humidifier or kettle to avoid extra moisture build up in the room when operating in heating mode. |

*Applicable for models with Heating feature only.

TROUBLESHOOTING GUIDE (CONTINUED)

| PROBLEM | POSSIBLE CAUSE | SOLUTION |
|--|---|--|
| Runs but not cooling | A door or window is open. | Make sure the window or door is closed. |
| | The dust filter is dirty. | Clean the dust filter. |
| | The Hose is detached. | Reinstall Hose properly (refer to Installation section). |
| | Temperature setting is too high. | Reduce temperature setting on control panel. |
| | Air outlet or intake is blocked. | Remove blockage. |
| | Room exceeds recommended size. | Move unit to smaller room. |
| | Large size or number of windows are decreasing cooling effectiveness. | Cover windows with curtains or blinds. |
| Will not run and Power button is blinking (water full indicator) | Excess water condensation inside the tank. | Drain the water (refer to Water Condensation Drainage). |

TROUBLESHOOTING GUIDE (CONTINUED)

| PROBLEM | POSSIBLE CAUSE | SOLUTION |
|------------------------------|--|---|
| Heater* is not switching ON. | Heating function not activated yet. The ambient temperature is too high. | Check that the Heating function has been activated.  will be illuminated when the Heater is switched ON. |
| | Heating is activated only when the ambient temperature is below 77°F (25°C). | Switch on the Heating function when the ambient temperature reaches below 77°F (25°C) |

ERROR CODE GUIDE

| ERROR CODE | ERROR POSSIBLE CAUSE |
|---|--|
| "E1" | Temperature sensor open circuit/short circuit. |
| "E2" (for cooling and heating model) | Copper tube sensor open circuit/short circuit. |
| "Lo" | Temperature is below 32°F (-9°C). |
| "Hi" | Temperature is over 99°F (50°C). |

*Applicable for models with Heating feature only.

LISEZ ET CONSERVEZ CES INSTRUCTIONS

IMPORTANTES INSTRUCTIONS DE SÉCURITÉ. LIRE ATTENTIVEMENT ET CONSERVER POUR S'Y RÉFÉRER ULTÉRIEUREMENT. EN CAS D'INCOHÉRENCE OU DE CONFLIT ENTRE LA VERSION ANGLAISE ET TOUTE AUTRE VERSION LINGUISTIQUE DU CONTENU DE CE DOCUMENT, LA VERSION ANGLAISE PRÉVAUDRA.

MISE EN GARDE:



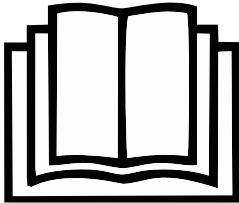


- NE PAS faire fonctionner l'appareil avec une fiche endommagée ou une prise murale mal fixée. Si le câble d'alimentation est endommagé, il doit être remplacé par le fabricant, son agent de service ou des personnes possédant les mêmes compétences afin d'éviter tout danger.
- NE PAS couvrir l'entrée et la sortie d'air lors de l'utilisation.
- NE PAS placer d'objets, en particulier d'objets lourds ou chauds, sur le dessus de l'appareil. NE PAS s'asseoir sur l'appareil.
- Toujours éteindre et débrancher l'appareil lors de son nettoyage ou de son entretien.
- NE PAS utiliser l'appareil s'il est endommagé.
- Si un entretien est nécessaire, contactez un agent d'entretien autorisé.
- Débranchez l'appareil lorsqu'il est entreposé ou non utilisé.
- NE PAS tirer ou porter l'appareil par le câble d'alimentation.
- NE PAS pincer le câble d'alimentation dans la porte et NE PAS le tirer le long de bords ou de coins pointus.
- NE PAS faire passer le cordon électrique sous la moquette ou le recouvrir avec un tapis.
- Faire preuve de prudence pour éviter de trébucher sur le cordon.
- NE PAS utiliser l'appareil dans les cas suivants:
 - Près d'une source de feu
 - Dans des zones où sont entreposés de l'essence, du soufre, de l'huile, de la peinture ou d'autres produits inflammables.
 - Dans une zone où il peut y avoir des projections d'eau.

- NE PAS toucher la fiche ou l'appareil avec les mains mouillées.
- Les précautions de sécurité de base doivent toujours être suivies lors de l'utilisation d'appareils électriques.
- Cet appareil a été fabriqué pour être utilisé en milieu domestique et ne doit pas être utilisé à d'autres fins.
- **Utilisez uniquement le kit d'installation fourni pour installer cet appareil. NE PAS tenter d'allonger le tuyau ou d'installer cet appareil à l'aide de méthodes autres que celles indiquées dans ce manuel. Une installation incorrecte annulera toute garantie existante.**
- NE PAS UTILISER de rallonge avec cet appareil.
- Cet appareil peut être utilisé par des enfants âgés de 8 ans et plus, ainsi que des personnes ayant des capacités réduites au niveau physique, sensoriel ou mental, ou un manque d'expérience et de connaissances si ils ont été supervisés ou instruits à propos de l'utilisation de l'appareil de manière sûre et s'ils ont compris les risques encourus. Les enfants ne devront pas jouer avec l'appareil. Le nettoyage ou la maintenance ne devra pas être effectuée par des enfants, sauf si ces derniers sont âgés de plus de 8 ans et s'ils sont supervisés.
- Ne jamais insérer les doigts ou des tiges dans la sortie d'air. Prenez bien soin d'avertir les enfants de ces dangers.
- Le fabricant n'est pas responsable des blessures causées aux personnes ou aux biens en raison d'un non-respect des instructions d'entretien et d'une utilisation inappropriée de l'appareil.
- L'appareil sera installé en conformité avec les réglementations nationales sur le câblage.
- L'appareil ne doit pas être utilisé par des personnes (y compris des enfants) dont les capacités physiques, sensorielles ou mentales sont réduites, ou qui n'ont pas l'expérience ou les connaissances nécessaires, sauf si elles bénéficient d'une surveillance ou ont reçu des instructions.

- Surveiller les enfants pour s'assurer qu'ils ne jouent pas avec l'appareil.
- Les équipements et installations électriques réglementés par la législation nationale doivent être respectés.
- L'appareil doit être transporté debout.
- N'allumez pas l'appareil pendant au moins une heure avant de le démarrer.
- Il est essentiel que l'appareil soit connecté à une connexion à la terre efficace vérifiée par un électricien qualifié.
- La stagnation de possibles fuites de gaz réfrigérants dans des pièces non ventilées pourrait entraîner un risque d'incendie ou d'explosion si le réfrigérant entre en contact avec des radiateurs électriques, des poêles ou d'autres sources d'inflammation.
- Usez de prudence lors de l'entreposage de l'appareil pour éviter les défauts mécaniques.
- Seules les personnes autorisées par une agence accréditée certifiant leurs compétences pour gérer des réfrigérants en conformité avec la législation du secteur doivent travailler sur des circuits réfrigérants.
- N'utilisez pas de moyens permettant d'accélérer le processus de dégivrage ou de nettoyage autres que ceux qui sont recommandés par le fabricant.
- Les substances inflammables ou les récipients sous pression (p. ex. des bombes aérosols) doivent être éloignés d'au moins 1.7 po (50 cm).
- Utilisez uniquement les outils recommandés par le fabricant pour le dégivrage ou le nettoyage.
- NE PAS faire fonctionner votre climatiseur dans une pièce humide comme une salle de bain ou une buanderie.

SÉCURITÉ (SUITE)

- Cet appareil doit être utilisé dans une pièce ayant une bonne ventilation entre l'appareil et les murs/meubles ou autres objets. La taille de la pièce doit correspondre à la surface de la pièce spécifiée pour le fonctionnement par le fabricant et l'appareil doit être bien entretenu pour éviter les dommages mécaniques.
- Avertissement pour garder les ouvertures de ventilation libres de toute obstruction.
- Ne pas percer ni brûler les réfrigérants.
- Sachez que les réfrigérants peuvent ne pas dégager d'odeur.
- NE PAS modifier cet appareil de quelque manière que ce soit pour éviter tout danger.
- Toutes les procédures de travail qui touchent aux moyens de sécurité ne seront effectuées que par des personnes compétentes.

| SYMBOLE | REMARQUE | EXPLICATION |
|---|----------------------|---|
| <p>R290</p>  | <p>MISE EN GARDE</p> | <p>Ce symbole indique que cet appareil utilise un réfrigérant inflammable. Si le réfrigérant fuit et est exposé à une source d'allumage externe, il y a un risque d'incendie.</p> |
| <p>R32</p>  | | |
|  | <p>ATTENTION</p> | <p>Ce symbole indique que le mode d'emploi doit être lu attentivement.</p> |
|  | <p>ATTENTION</p> | <p>Ce symbole indique qu'un personnel d'entretien doit manipuler cet équipement en se référant au manuel d'installation.</p> |
|  | <p>ATTENTION</p> | <p>Ce symbole indique que des informations sont disponibles, comme le mode d'emploi ou le manuel d'installation.</p> |

Avertissements supplémentaires pour les appareils avec gaz réfrigérant R290/R32

- Lisez attentivement les instructions avant d'utiliser l'appareil.
- Le gaz réfrigérant R290/R32 est conforme aux UL60335-2-40 / UL60335-1.
- Cet appareil contient un certain nombre de grammes (voir l'étiquette signalétique à l'arrière de l'appareil) de gaz réfrigérant R290/R32. La quantité maximale de charge de réfrigérant n'est pas supérieure à R290 0,304 kg / R32 1,84 kg selon UL60335-2-40.
- Lors du dégivrage ou du nettoyage, n'utilisez aucune méthode autre que celles recommandées par le fabricant.
- Ne placez pas l'appareil dans une pièce présentant des sources d'ignition continues (p. ex. flamme nue, appareil à gaz en marche ou appareil de chauffage électrique en marche).
- Ne pas percer et ne pas brûler.
- Ne percez aucune partie du circuit de réfrigérant.
- Les gaz réfrigérants peuvent être inodores.
- L'appareil doit être installé, utilisé et stocké dans une zone supérieure à R290 gas: 15 m²; R32 gas: 4 m².
- L'accumulation de fuites éventuelles de réfrigérant dans une pièce non ventilée pourrait provoquer un incendie ou une explosion si le réfrigérant entrait en contact avec des radiateurs électriques, des cuisinières ou d'autres sources d'inflammation.
- Seules les personnes autorisées par un organisme accrédité certifiant leur compétence à manipuler des frigorigènes conformément à la législation du secteur doivent travailler sur le circuit frigorifique.
- Seules les personnes autorisées par un organisme accrédité certifiant leur compétence à manipuler des frigorigènes conformément à la législation du secteur doivent travailler sur le circuit frigorifique.
- Toutes les procédures de travail qui touchent aux moyens de sécurité ne seront effectuées que par des personnes compétentes.

- Les réparations doivent être effectuées en fonction des recommandations du fabricant. La maintenance et les réparations qui nécessitent l'aide d'autres personnels qualifiés doivent être effectuées sous la supervision de spécialistes de l'utilisation de réfrigérants inflammables.



Les réparations doivent être effectuées seulement sur les recommandations du fabricant. Les opérations d'entretien et de réparation qui requièrent l'intervention d'une personne qualifiée doivent être effectuées sous la supervision de spécialistes dans l'utilisation des réfrigérants inflammables.

Transport d'équipement contenant des réfrigérants inflammables Conformité aux règles de transport.

1. Marquage des équipements à l'aide de panneaux Conformité aux réglementations locales.
2. Élimination des équipements utilisant des réfrigérants inflammables Conformité aux réglementations nationales.
3. L'entreposage de l'équipement doit être en conformité avec les instructions du fabricant.
4. La protection de l'emballage d'entreposage doit être conçue de telle sorte que les dommages mécaniques à l'équipement à l'intérieur de l'emballage ne provoqueront pas de fuite de la charge de réfrigérant. Le nombre maximum d'équipements pouvant être entreposés ensemble sera déterminé par les réglementations locales.
5. Ce marquage indique que ce produit ne doit pas être éliminé avec les autres ordures ménagères dans toute l'US. En vue de prévenir d'éventuels dommages à l'environnement ou à la santé humaine causés par l'élimination incontrôlée des déchets, recyclez l'appareil de manière responsable afin de favoriser la réutilisation durable des ressources matérielles. Pour renvoyer votre appareil usagé, utilisez les systèmes de retour et de collecte ou contactez le détaillant qui vous a vendu le produit. Ils récupéreront ce produit afin de permettre un recyclage sans danger pour l'environnement.



Ce marquage indique que ce produit ne doit pas être éliminé avec les autres déchets ménagers dans toute US. Pour prévenir tout effet nocif potentiel pour l'environnement ou la santé humaine provenant d'une mise au rebut incontrôlée, procéder au recyclage responsable afin de promouvoir la réutilisation durable des ressources matérielles. Pour éliminer l'appareil usagé, utiliser les systèmes de retour et collecte, ou contacter le fournisseur où le produit a été acheté. Par ce moyen, le produit sera collecté pour un recyclage garantissant le respect de l'environnement.

Nous vous félicitons d'avoir acheté ce climatiseur portable polyvalent de Honeywell.

En ce qui concerne les informations pour l'installation, la manipulation, l'entretien, le nettoyage et la mise au rebut de l'appareil, référez-vous aux paragraphes ci-après de la notice.

CONSEILS D'UTILISATION

Les climatiseurs portatifs de Honeywell sont idéaux pour le refroidissement localisé. Le compresseur, le condenseur et l'évaporateur sont logés dans une enceinte compacte. L'air est filtré, déshumidifié et refroidi tandis qu'un tuyau de sortie d'air souple évacue la chaleur à l'extérieur. Le climatiseur comprend une trousse d'évacuation pour fenêtre. Aucune installation permanente n'est requise. L'appareil est facile à déplacer de pièce en pièce et offre une solution de climatisation véritablement flexible.

Système d'évaporation automatique - Le dispositif évacue automatiquement la chaleur par le tuyau de sortie d'air. Sauf en présence d'une humidité très élevée, la vidange du réservoir n'est pas requise. Lire attentivement les consignes et les suivre minutieusement.

Pour assurer l'efficacité optimale du produit, garder les portes et les fenêtres fermées quand il est utilisé comme climatiseur ou déshumidificateur. Si seule la fonction de ventilation du dispositif est en marche, ouvrir une fenêtre pourrait améliorer la circulation de l'air.



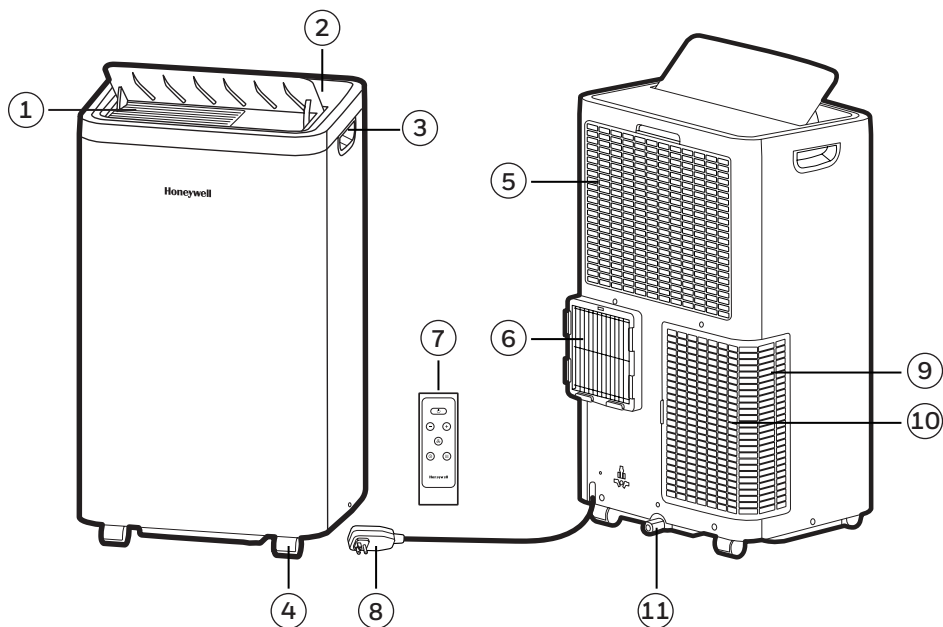
Important:

Avant d'installer l'appareil, placez-le en position verticale 1 heure avant de l'utiliser pour permettre au réfrigérant de se stabiliser. Ajustez manuellement le ventilateur localisé sur le haut de l'appareil afin d'ajuster la direction du flux d'air.

- Suivre les consignes d'installation de l'appareil.
- Brancher l'appareil à un circuit mis à la terre. NE PAS brancher au moyen d'une rallonge électrique.

*Ne s'applique qu'aux modèles avec chauffage.

DESCRIPTION DES PIÈCES



1) Sortie d'air

2) Panneau de commande
(récepteur de signaux compris)

3) Poignée

4) Roulettes

5) Grillage supérieur

6) Raccord du tuyau d'évacuation

7) Télécommande

8) Cordon d'alimentation

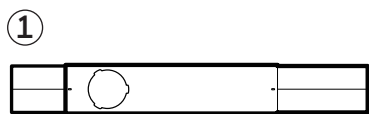
9) Grillage inférieur

10) Filtre à poussière inférieur

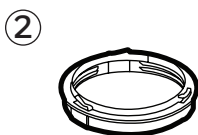
11) Capuchon de plastique et bouchon
de vidange (mode climatisation)

INSTALLATION

Il est important que les consignes d'installation ci-dessous soient respectées pour réussir l'installation de ce climatiseur portatif. Si vous éprouvez des difficultés ou avez des questions concernant ces procédures d'installation, veuillez communiquer avec notre service à la clientèle.



x1



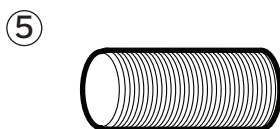
x1



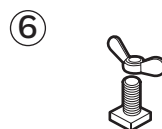
x1



x1



x1



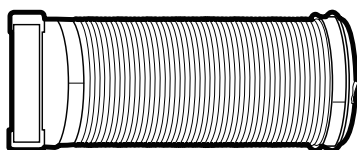
x2

Kit d'installation:

| | | | |
|--|-----------|-----------------------------|------------|
| 1. Trousse de supports pour fenêtre | (1 jeu) | 4. Couvercle pour l'orifice | (1 pièce) |
| 2. Adaptateur de support de fenêtre pour panneau | (1 pièce) | 5. Tuyau | (1 pièce) |
| 3. Raccord de tuyau | (1 pièce) | 6. Vis à oreilles | (2 pièces) |

Étapes de l'installation:

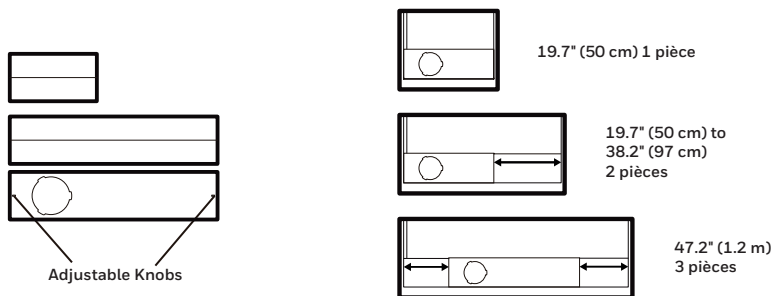
1. Le raccord du tuyau d'évacuation, le tuyau d'évacuation et l'adaptateur de support de fenêtre sont pré-assemblés dans l'emballage.



Tuyau:
Longueur: 12" à 47" (30cm à 120cm)

INSTALLATION (SUITE)

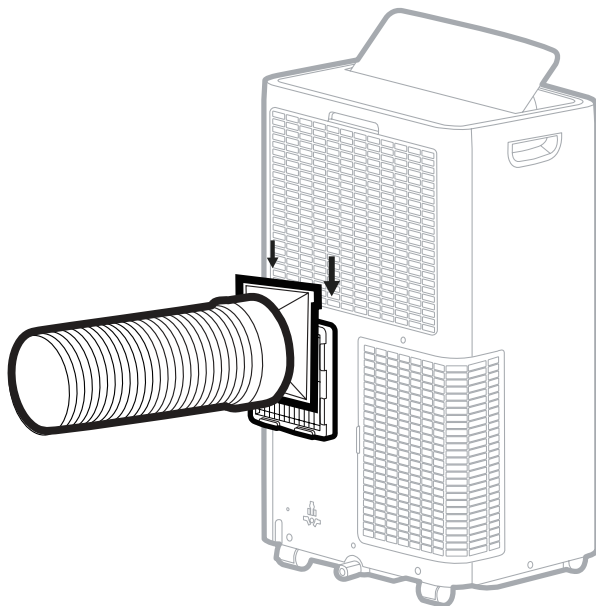
2. Le support de fenêtre présente 3 longueurs différentes : 19,7 po (50 cm), 38,2 po(97 cm) et 47,2 po (120 cm). Pour les dimensions plus petites, apportez le panneau à votre quincaillerie locale pour qu'il soit coupé à la longueur souhaitée. Le support peut être installé horizontalement ou verticalement.



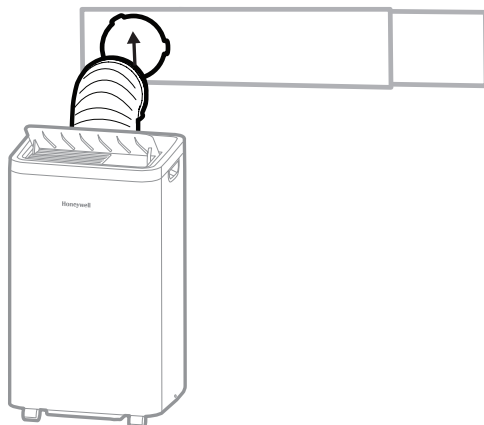
Ajustez la longueur du support de fenêtre en fonction de la hauteur ou de la largeur du cadre de la fenêtre. Une fois la longueur réglée, serrer les vis à oreilles (préinstallées sur le support de la fenêtre) pour faire en sorte que le support de la fenêtre soit fixé dans la position souhaitée. Utiliser une seule pièce du support de fenêtre ou les trois s'il y a lieu.

Remarque: Après avoir réglé le support de fenêtre à la taille de votre fenêtre, il convient de l'en retirer et de suivre les instructions ci-dessous.

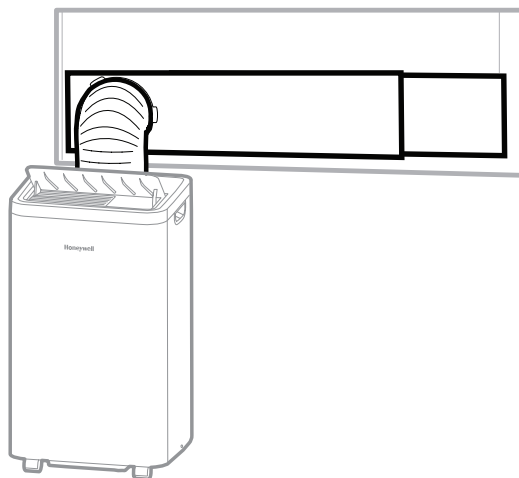
3. Branchez le tuyau d'évacuation au raccord de tuyau situé à l'arrière de l'appareil. Faites coulisser le raccord de tuyau de haut en bas.



4. Raccordez le support de fenêtre à l'adaptateur de support de fenêtre. Faites coulisser l'adaptateur de support de fenêtre, puis tournez dans le sens horaire jusqu'au verrouillage en place.

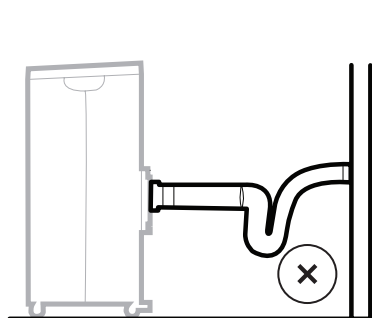


5. Installer le support de fenêtre dans la fenêtre.

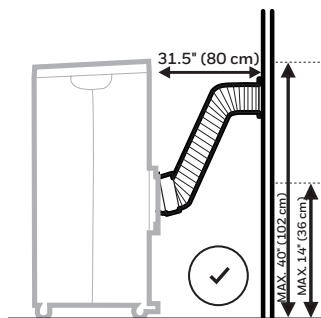


6. Le climatiseur portatif est maintenant prêt à être utilisé.

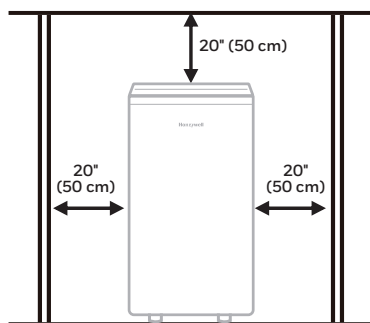
Important: Ne pas le remplacer ni le rallonger, car cela pourrait provoquer le fonctionnement défectueux de l'appareil.



DÉCONSEILLÉ



RECOMMANDÉ

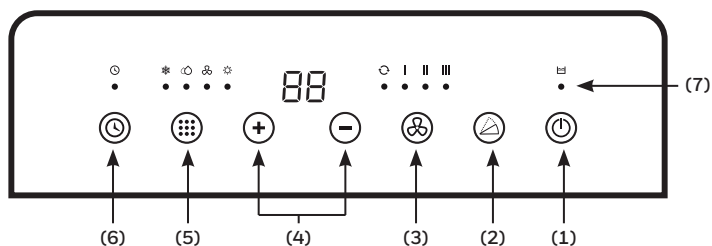


L'ESPACE AÉRIEN MINIMUM

AVERTISSEMENT: Toute garantie visant ce produit sera annulée si un tuyau de rallonge supplémentaire est ajouté au kit d'installation fourni initialement ou si l'installation est effectuée sans suivre les consignes du fabricant et sans consultation appropriée. S'il y a lieu, veuillez communiquer avec le service à la clientèle pour obtenir de l'aide à l'égard des procédures d'installation.

- Le diamètre du tuyau d'évacuation fourni est de 5.5" (14 cm) et celui-ci peut être déployé de 12" à 47" (30 cm à 120 cm).
- Ne pas plier le tuyau d'évacuation (de la façon illustrée ci-dessous). Un tuyau plié empêchera l'évacuation de l'air et provoquera le fonctionnement défectueux ou l'arrêt de l'appareil.
- Assurez-vous d'une distance minimale de 31.5" (80 cm) entre l'arrière de l'appareil et un mur et l'espace aérien minimum du haut/de l'avant/de la gauche/de la droite est de 20" (50 cm). Ne pas placer l'appareil en face de rideaux ou tentures, car cela pourrait gêner la circulation de l'air.

PANNEAU DE COMMANDE TACTILE




- | | | |
|--|---|---------------------------|
| 1) Interrupteur | 4) Commande de la minuterie / réglage de la température | 7) Voyant réservoir plein |
| 2) Commande d'oscillation | 5) Commande du mode | |
| 3) Commande de la vitesse du ventilateur | 6) Commande de la minuterie | |

TOUCHES DE FONCTION

INTERRUPTEUR

L'interrupteur permet de mettre l'appareil en marche et de l'éteindre. Plage d'humidité d'utilisation : 30 % - 80 % HR.

CONTRÔLE DE L'OSCILLATION

Appuyez sur le bouton  de panneau de commande tactile pour activer l'oscillation automatique des volets. Appuyez à nouveau sur le bouton  pour arrêter le balancement lorsque les volets ont atteint l'angle souhaité.




Remarque : Afin d'éviter d'endommager les mécanismes internes, les volets ne doivent pas être déplacés manuellement.

Remarque : Après avoir éteint le climatiseur, vous devez attendre 3 minutes avant de le rallumer.

COMMANDE DE LA VITESSE DU VENTILATEUR

4 réglages: Automatique , Faible , Moyen , et Élevé .

Mode ventilation

Appuyez sur le bouton + ou - pour sélectionner la température désirée. Appuyez sur le bouton Mode  pour sélectionner le mode refroidissement ou chauffage. Après avoir appuyé sur le bouton du ventilateur  et sélectionné le ventilateur automatique , l'unité exécutera automatiquement sa vitesse de ventilateur en fonction de la différence de température entre la température de consigne et la température ambiante.

Remarque : Automatique: cette fonction peut être sélectionnée uniquement en mode refroidissement ou chauffage.

*Ne s'applique qu'aux modèles avec chauffage.

TOUCHES DE FONCTION (SUITE)

RÉGLAGE DE LA TEMPÉRATURE COMMANDE



- Utilisé pour le réglage de du thermostat.
- L'affichage par défaut indique la température ambiante.
- En mode refroidissement, quand la touche + ou - est enfoncée, la température sélectionnée est affichée et peut être réglée. Après quelques secondes, l'affichage revient à la température ambiante. La température est réglable en mode refroidissement ou chauffage uniquement.

Remarque: En appuyant sur les touches de réglage + ou - en même temps, l'affichage basculera entre Celsius (°C) et Fahrenheit (°F).



COMMANDE DU MODE

Réglages : Climatisation, déshumidification, ventilation, chauffage*.

Le voyant lumineux correspondant s'allume pour indiquer le réglage du mode actuel.

- Mode climatisation (COOL) 
Ajustez la vitesse du ventilateur et la température de l'air en fonction du niveau de confort souhaité. La plage de réglage de la température est de 61°F - 89°F (16°C - 32°C).
- Mode déshumidification (DRY) 
L'air est déshumidifié lorsqu'il passe dans l'appareil, sans être en mode de refroidissement complet.
Si la température de la pièce est supérieure à 77°F (25°C), la vitesse du ventilateur peut être ajustée ; sinon, la vitesse du ventilateur est préréglée sur LOW.

Remarque: Il ne faut pas raccorder le tuyau d'échappement si l'appareil est principalement utilisé comme déshumidificateur. Une vidange continue sera alors nécessaire (voir la section Vidange continue pour le mode déshumidification).

- Mode ventilation 
Pour la circulation de l'air sans refroidissement du climatiseur.
- Mode chauffage* 
Lorsque le mode chauffage est sélectionné, le voyant lumineux s'allume. Le chauffage n'est activé que lorsque la température ambiante est inférieure à 44°F - 77°F (7°C - 25°C). Dans ce mode, la température souhaitée peut être réglée entre 61°F - 77°F (16°C - 25°C).

Remarque: En mode chauffage, les tuyaux d'échappement doivent évacuer l'air vers l'extérieur de la pièce.

IMPORTANT: La pompe à chaleur aspire l'humidité de l'air qui se condense ensuite dans le réservoir d'eau interne. L'appareil interrompra le fonctionnement lorsque le réservoir est plein ; et rétablira le fonctionnement lorsque le réservoir est vide. Il est recommandé d'utiliser le mode chauffage dans une pièce présentant 50 % d'humidité ou moins. Lorsque vous utilisez l'appareil en mode chauffage, évitez d'utiliser des produits ou des appareils générant de l'humidité, tels qu'un humidificateur ou une bouilloire. Pour plus d'informations sur la vidange du réservoir d'eau, consultez la section « Évacuation de l'eau de condensation en mode chauffage.


*Ne s'applique qu'aux modèles avec chauffage.

BOUTONS DE FONCTION (SUITE)


COMMANDE DE LA MINUTERIE

Une fois l'appareil en marche, appuyer sur la touche de la minuterie, puis sur + ou - pour sélectionner le nombre désiré d'heures de fonctionnement. L'appareil s'arrêtera automatiquement.

ARRÊT AUTOMATIQUE:

Pendant que l'unité est en  marche, appuyez sur le bouton de la minuterie et l'écran va clignoter. Quand l'écran clignotera, appuyer sur le bouton + ou - pour sélectionner le nombre d'heures désirés pour que l'unité s'éteigne automatiquement.


MISE EN MARCHÉ AUTOMATIQUE:

Pendant que l'appareil est en mode attente, Appuyez tout d'abord sur le bouton  appuyer sur la touche + or - pour sélectionner le nombre désiré d'heures qui s'écouleront jusqu'à la remise en marche de l'appareil.

Remarque : la durée est réglable entre 1 et 24 heures.

VOYANT RÉSERVOIR PLEIN

De la condensation peut s'accumuler dans l'appareil.

Si le réservoir interne est plein d'eau, le voyant Réservoir plein  s'allumera. L'appareil ne fonctionnera pas tant que le réservoir n'aura pas été vidangé (reportez-vous à la section Vidange de l'eau de condensation).

WARNING LIGHT

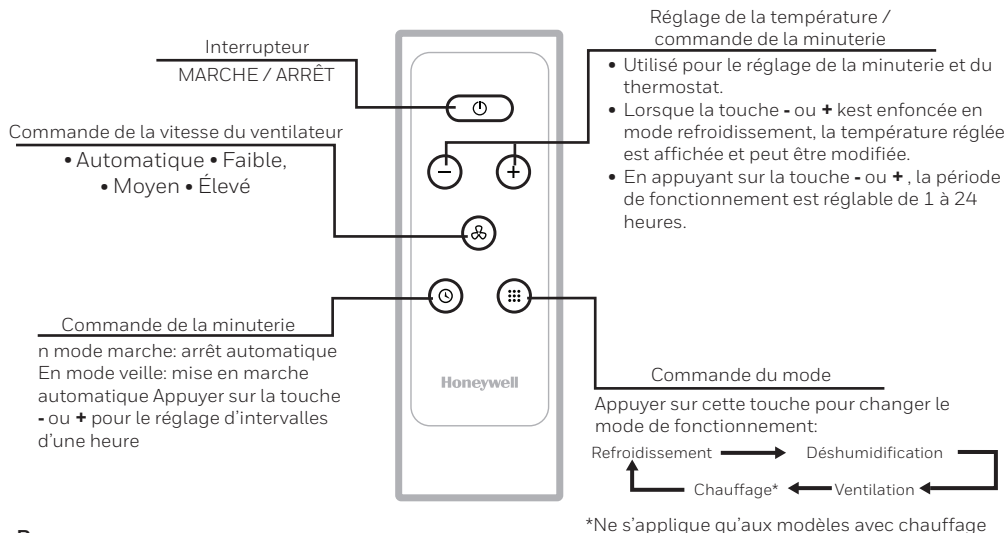
De la condensation peut s'accumuler dans l'appareil.

Si le réservoir interne est plein, le voyant d'avertissement clignote et 10 bips sont émis. L'appareil ne fonctionnera pas tant que le réservoir n'aura pas été vidangé (reportez-vous à la section Vidange de l'eau de condensation).

Après avoir éteint le climatiseur, attendez 3 minutes avant de le rallumer.

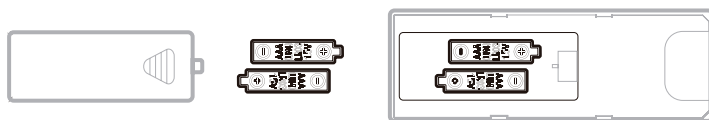
TÉLÉCOMMANDE

Les fonctions correspondent à celles qui se trouvent sur le panneau de commande du climatiseur portatif. La télécommande permet de régler toutes les principales fonctions.



Remarque:

- Retirer le couvercle au dos de la télécommande et insérer deux piles AAA en les plaçant conformément à l'indicateur de polarité.



Attention:

- Utiliser seulement deux piles AAA ou IEC R03 1,5 V.
- Retirer les piles si la télécommande n'est pas utilisée pendant un mois ou plus.
- Toutes les piles doivent être remplacées en même temps; ne pas mélanger avec des piles déjà utilisées.
- Ne pas mélanger les piles alcalines, standard (zinc-carbone) ou rechargeables (nickel-cadmium).
- Disposer des piles usagées selon les consignes du fabricant.

Énoncé relatif à la Commission des communications fédérales (FCC). Cet appareil est conforme à la section 15 du règlement de la FCC. Le fonctionnement est soumis aux deux conditions suivantes: (1) cet appareil ne doit pas émettre de brouillage nuisible, et (2) cet appareil doit accepter tout brouillage, y compris tout brouillage qui pourrait occasionner un fonctionnement indésirable.

Cet appareil a fait l'objet de tests et il a été trouvé conforme aux limites établies pour un appareil numérique de Classe B comme il est stipulé à la section 15 du règlement de la FCC. Ces limites sont établies pour assurer une protection raisonnable contre le brouillage nuisible dans un environnement résidentiel. Ce matériel génère, utilise et peut émettre de l'énergie de fréquence radio et, s'il n'est pas installé et utilisé conformément aux instructions, il peut provoquer un brouillage nuisible aux communications radio. Cependant, on ne peut garantir que le brouillage n'aura pas lieu dans le cadre d'une installation particulière. Si ce matériel cause un brouillage nuisible de la réception radio ou de la télévision, ce qui peut être déterminé en éteignant et en remettant l'appareil en marche, il est indiqué de remédier à la situation en prenant les mesures suivantes:

- Réorienter ou déplacer l'antenne réceptrice.
- Augmenter la distance entre l'appareil et le récepteur.
- Brancher l'appareil dans une prise de courant sur un circuit différent de celui auquel le récepteur est branché.
- Consulter le revendeur ou un technicien radio/télé expérimenté pour obtenir de l'aide.

Mise en garde de la FCC: Pour assurer la conformité de cet appareil, suivre les consignes d'installation fournies. Tout changement ou toute modification non expressément autorisée par la partie responsable de la conformité risque d'annuler la permission qu'à l'utilisateur de faire fonctionner le présent appareil.

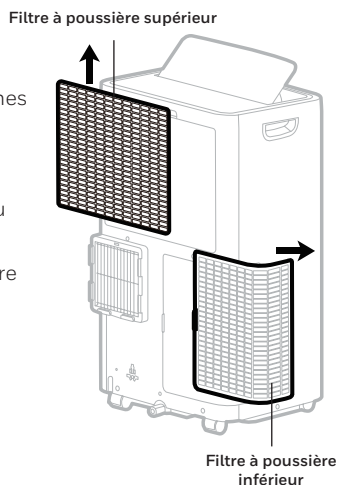
Entretien de l'appareil:

1. Éteindre l'appareil avant de débrancher l'alimentation électrique.
2. Toujours nettoyer l'appareil à l'aide d'un chiffon sec et doux.

Entretien du filtre à poussière:

Le filtre à poussière doit être nettoyé toutes les deux semaines afin de maintenir l'efficacité du refroidissement de l'air. Veuillez suivre les instructions ci-dessous pour le nettoyage des filtres à poussière :

1. Éteindre l'appareil et retirer le filtre à poussière au niveau supérieur et inférieur.
2. Rincer à l'eau tiède. Après le rinçage, laisser sécher le filtre dans un endroit ombragé et frais, puis le réinstaller.



Entretien et entreposage de fin de saison:

Si l'appareil n'est pas utilisé pendant une longue période, Suivez ces étapes:

1. S'assurer de drainer l'eau condensée restante. Retirer le bouchon de vidange inférieur et utiliser un plat peu profond pour recueillir l'eau (s'assurer de remettre le bouchon en place par la suite).
2. Pour éliminer l'excès d'humidité, faire fonctionner l'appareil en mode ventilation pendant 30 minutes avant de le ranger.
3. Éteindre et débrancher le climatiseur.
4. Retirer le filtre et le rincer à l'eau. Après le rinçage, laisser sécher le filtre dans un endroit ombragé et frais, puis le réinstaller.
5. Retirer la trousse d'installation pour la fenêtre:
 - Retirez le tuyau de l'orifice de sortie d'air en tournant dans le sens anti-horaire pour déverrouiller le mécanisme à bouton, puis retirez en coulissant.
 - Retirez l'adaptateur de support de fenêtre du support de fenêtre en tournant dans le sens anti-horaire, puis retirez doucement.
 - Il est recommandé de ranger les pièces de la trousse de fenêtre dans un sac avec la télécommande et de les placer avec le climatiseur.
 - Si nécessaire, nettoyer la trousse de fenêtre avec un chiffon humide et de l'eau avant de la ranger.
6. Couvrir le climatiseur avec un sac de tissu ou de plastique avant l'entreposage, à l'abri de l'accumulation de poussière et des éraflures sur la surface de l'appareil.
7. Il est recommandé d'enrouler le cordon d'alimentation, et de ne pas le laisser au sol afin d'éviter qu'il soit plié ou autrement endommagé.
8. Entreposer le climatiseur dans un endroit frais et sec, à l'abri de la lumière directe.

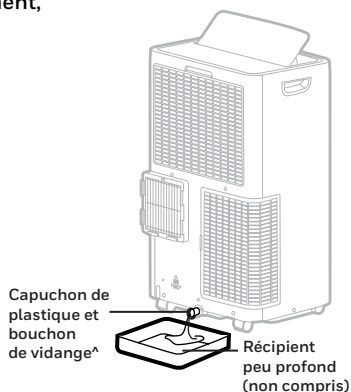
VIDANGE DE L'EAU DE CONDENSATION

En présence d'un excès d'eau de condensation dans l'appareil, la climatisation cesse et un voyant s'allume (la touche de mise en marche s'illumine en rouge et clignote). Ce voyant indique que l'eau de condensation doit être vidangée en procédant comme suit:

Évacuation manuelle pendant les modes de refroidissement, déshumidification et chauffage*

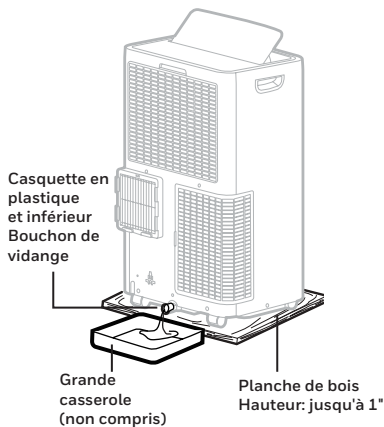
Dans les régions où l'humidité est très élevée, la vidange de l'eau peut se révéler nécessaire.

1. Débrancher l'appareil.
2. Placer un récipient peu profond sous le bouchon de vidange.
3. Retirer le capuchon de plastique et le bouchon de vidange inférieur.
4. L'eau s'écoulera et s'accumulera dans le récipient.
5. Une fois l'eau vidangée, replacer le bouchon de vidange inférieur solidement. Voir le schéma.
6. L'appareil peut maintenant être remis en marche.



S'il existe un haut volume de condensation et si un récipient peu profond n'est pas suffisant pour votre utilisation, il est possible d'utiliser un plus grand seau pour procéder à la vidange. Suivre attentivement les instructions ci-dessous :

1. Utiliser une planche plane et stable ayant une épaisseur comprise entre 1" po. La base pourrait être une planche en bois achetée dans un magasin de bricolage local, les dimensions minimales de la base étant de 20" de longueur x 17" de largeur x 1" d'épaisseur.
2. La base doit être suffisamment large et robuste pour supporter le climatiseur portable. Le climatiseur doit être stable, et ne doit pas basculer ou bouger lorsqu'il est positionné sur la base; aussi, il ne doit pas facilement tanguer.
3. Évacuer l'eau à partir du bouchon de vidange inférieur, le cas échéant, dans un seau plus grand ou au moyen d'un tube de vidange. Pour utiliser un tube de vidange, il est possible d'acheter un tube en vinyle ayant un diamètre extérieur de 5/8" (15 mm) et un diamètre intérieur de 1/2" (13 mm). À noter que le tube de vidange doit être positionné à un niveau inférieur au bouchon de vidange pour éviter que la condensation d'eau ne s'introduise en retour dans le climatiseur.



AVERTISSEMENT Pour des raisons de sécurité, il ne faut PAS positionner le conditionneur d'air sur une base dont la hauteur est supérieure à 1" po par rapport au sol. Cette consigne est seulement recommandée si une base plane, stable est prévue pour supporter le conditionneur d'air en toute sécurité.

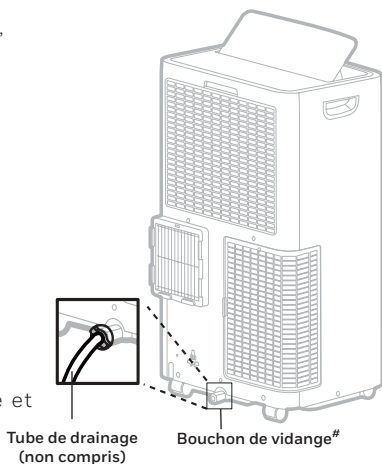
*Ne s'applique qu'aux modèles avec chauffage.

[^] Dia. Extérieur: 17 mm

Vidange continue en mode déshumidification

Lorsque l'appareil est utilisé en mode déshumidification, la vidange continue est recommandée.

1. Débrancher l'appareil.
2. Retirer le bouchon de vidange inférieur.
Ce faisant, de l'eau résiduelle peut se répandre. Il est donc conseillé d'avoir un récipient à portée de main pour recueillir l'eau.
3. Brancher le raccord de vidange à un tuyau de 0,8" (2cm) (non compris). Voir le schéma.
4. L'eau peut être évacuée en continu à travers le tube de vidange dans une terre à drainer ou un inférieur drainer.
5. Lorsque la vidange est terminée, retirez le tube et remettez le bouchon de vidange.
6. L'appareil peut maintenant être remis en marche.



AVERTISSEMENT: Il n'est PAS recommandé de raccorder le tuyau de vidange pour une évacuation continue pendant que l'appareil est en marche (ON) en mode de refroidissement de conditionnement d'air. Cela pourrait réduire l'efficacité de refroidissement du conditionneur d'air. Évacuer la condensation d'eau uniquement lorsque l'appareil est éteint (OFF). L'évacuation continue convient uniquement lorsque l'appareil est réglé en mode Déshumidification.

Un tuyau de vidange plus long ou une différence de hauteur insuffisante entre le bouchon de vidange et le sol peuvent réduire le drainage de l'eau.

AVERTISSEMENT: Pendant le mode de chauffage*, l'eau ne peut pas être évacuée avec l'option d'évacuation continue. En mode de chauffage, le réservoir d'eau interne collecte la condensation plus rapidement et peut, par conséquent, exiger une plus grande fréquence de vidange du réservoir dans les pièces plus humides. Il est recommandé d'utiliser le mode de chauffage dans une pièce ayant 50% d'humidité ou moins. Il faut éviter de faire fonctionner des produits produisant de l'humidité ou des appareils, comme un humidificateur ou une bouilloire lorsque l'appareil est en mode de chauffage.

*Ne s'applique qu'aux modèles avec chauffage.

#Dia. Extérieur: 17 mm


Le guide de dépannage suivant aborde les problèmes les plus courants. Si le problème persiste, appeler le service à la clientèle. Débrancher l'appareil de la prise murale et en retirer le tuyau de plastique fixé à l'arrière avant de tenter de résoudre les problèmes.

| PROBLÈME | CAUSSE POSSIBLE | SOLUTION |
|---|---|---|
| Il est impossible de mettre l'appareil en marche | Il n'y a pas d'électricité. | Vérifier l'alimentation. |
| | Les piles de la télécommande doivent être remplacées. | Changer les piles de la télécommande. |
| | Le cordon d'alimentation n'est pas correctement branché. | Débrancher, puis rebrancher le cordon d'alimentation. |
| | L'interrupteur de sécurité LCDI s'est déclenché (États-Unis, Canada et Mexico seulement). | Réinitialiser l'interrupteur de sécurité LCDI; si le problème persiste, communiquer avec notre service à la clientèle (États-Unis, Canada et Mexico seulement). |
| Ne fonctionne que pendant une courte période | Le réglage de la température du thermostat est trop près de la température ambiante. | Abaissier la température réglée. |
| | La sortie d'air est obstruée. | S'assurer que le tuyau d'évacuation est correctement branché. |
| | Le tuyau d'évacuation est fortement replié sur lui-même. | Brancher le tuyau d'évacuation selon les consignes à la page 3. |
| En mode de chauffage*, l'appareil s'éteindra fréquemment. | La pièce est trop humide. Le réservoir d'eau doit être vidé. | En mode de chauffage*, la pompe thermique condense l'humidité de l'air dans le réservoir d'eau interne. Dans les pièces plus humides, la thermopompe procède à la collecte plus rapidement, ce qui exige une vidange plus fréquente. Il est recommandé d'utiliser le mode de chauffage dans une pièce ayant 50 % d'humidité ou moins. Il faut éteindre les appareils de type humidificateur ou bouilloire afin d'éviter toute accumulation d'humidité supplémentaire dans la pièce lorsque l'appareil est en mode de chauffage. |

*Ne s'applique qu'aux modèles avec chauffage.

| PROBLÈME | CAUSSE POSSIBLE | SOLUTION |
|---|--|--|
| Fonctionne, mais sans refroidir | Une porte ou une fenêtre est ouverte. | S'assurer que la fenêtre ou la porte est fermée. |
| | Le filtre à poussière doit être nettoyé. | Nettoyer le filtre à poussière. |
| | Le tuyau d'évacuation est détaché. | Réinstaller le tuyau d'évacuation correctement (se référer à la section installation). |
| | Le réglage de la température est trop élevé. | Abaisser la température au moyen du panneau de commande. |
| | L'entrée ou la sortie d'air est obstruée. | Éliminer l'obstruction. |
| | La taille de la salle dépasse la taille de salle recommandée. | Déplacer l'unité à une plus petite salle. |
| | Une grande taille ou le nombre de fenêtre peut diminuer l'efficacité de refroidissement. | Couvrir les fenêtres avec des rideaux ou des stores. |
| L'appareil refuse de fonctionner et la touche de mise en marche clignote (indiquant que le réservoir d'eau est plein) | Excès d'eau de condensation à l'intérieur du réservoir. | Vidanger l'eau (se référer à la section vidange de l'eau de condensation). |

GUIDE DE DÉPANNAGE (SUITE)

| PROBLÈME | CAUSSE POSSIBLE | SOLUTION |
|---|---|--|
| L'appareil ne passe pas en mode chauffage* (cela ne concerne que les modèles de climatiseurs portatifs avec une fonction intégrée de chauffage*). | La fonction de chauffage* n'est pas encore activée. La température ambiante est trop élevée. | Vérifier si la fonction de chauffage* a été activée.  s'allume lorsque l'appareil est mis en marche. |
| | Le chauffage* est activé uniquement lorsque la température ambiante est inférieure à 77°F (25°C). | Activer la fonction de chauffage* lorsque la température ambiante atteint moins de 77°F (25°C). |

GUIDE SUR LES CODES D'ERREUR

| CODE D'ERREUR | POSSIBLE CAUSE D'ERREUR |
|---|---|
| "E1" | Capteur de température circuit ouvert/court-circuit. |
| "E2" (pour le modèle de refroidissement et de chauffage) | Capteur de tube en cuivre circuit ouvert/court-circuit. |
| "Lo" | La température est en-dessous de 32°F (- 9°C). |
| "Hi" | La température est au-dessus de 99°F (50°C). |

*Ne s'applique qu'aux modèles avec chauffage.

LEA Y GUARDE ESTAS INSTRUCCIONES

MEDIDAS DE SEGURIDAD IMPORTANTES LEA DETENIDAMENTE Y GUÁRDELO PARA CONSULTAS FUTURAS. EN CASO DE INCONSISTENCIAS O CONFLICTOS ENTRE LA VERSIÓN EN INGLÉS Y LA VERSIÓN EN ALGÚN OTRO IDIOMA DEL CONTENIDO DE ESTE MANUAL, PREVALECE LA VERSIÓN EN IDIOMA INGLÉS.

ADVERTENCIA:

- NO utilice la unidad con un enchufe o una toma de corriente dañados. Si el cable de alimentación estuviera dañado, deberá ser reemplazado por el fabricante, su servicio técnico o una persona debidamente calificada para ello con el fin de evitar situaciones de peligro.
- NO cubra la entrada de aire o la salida de aire residual cuando lo utilice.
- NO coloque objetos encima de la unidad, sobre todo objetos pesados. NO se sienta en la unidad.
- Apague y desenchufe siempre la unidad cuando lleve a cabo tareas de limpieza o mantenimiento.
- NO utilice el aparato si está dañado.
- Contacte al servicio técnico autorizado en caso de requerirse alguna reparación.
- Desenchufe la unidad cuando la guarde o no la utilice.
- NO transporte o tire del aparato desde el cable de alimentación.
- NO atore el cable de alimentación con la puerta NI lo arrastre a lo largo de los bordes o esquinas afiladas.
- NO coloque el cable de alimentación debajo de alfombras y tapetes.
- Tenga cuidado para evitar tropezar con el cable.
- NO utilice el aparato en los casos siguientes:
 - Cerca del fuego
 - En áreas donde se almacene gasolina, sulfuro, aceite, pintura o algún otro artículo inflamable.
 - En áreas donde se pueda arrojar agua.

- NO toque el enchufe o el aparato con las manos mojadas.
- Siempre se deben seguir unas medidas de precaución básicas cuando se utilizan aparatos eléctricos.
- Este producto ha sido fabricado para uso habitacional y no debe ser utilizado para otros propósitos.
- **Utilice solamente el kit de instalación proporcionado para instalar esta unidad.**

NO intente extender el ducto de escape o instalar esta unidad usando métodos diferentes a los mostrados en este manual. Una instalación incorrecta anulará cualquier garantía vigente.



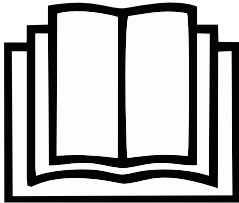


- NO utilice un cable de extensión con esta unidad.
- Este aparato puede ser utilizado por niños de 8 años y mayores y las personas con capacidades físicas, sensoriales o mentales reducidas o falta de experiencia y conocimiento, si se les ha dado la supervisión o instrucciones relativas al uso del aparato de una manera segura y comprenda los peligros involucrados. Los niños no deben jugar con el aparato.
La limpieza y mantenimiento del equipo no debe ser hecho por los niños sin supervisión.
- Nunca meta los dedos o algún palo por la salida de aire. Procure advertir a los niños especialmente de tales peligros.
- El fabricante no se hace responsable de las lesiones o los daños a la propiedad debidos al incumplimiento de las instrucciones de mantenimiento o del uso inapropiado del aparato.
- El aparato se instalará de acuerdo con las normas nacionales de cableado.
- Este equipo no se destina para utilizarse por personas (incluyendo niños) cuyas capacidades físicas, sensoriales o mentales sean diferentes o estén reducidas o carezcan de experiencia o conocimiento a menos que dichas personas reciban una supervisión o capacitación para el funcionamiento del aparato.

SEGURIDAD (CONTINUACIÓN)

- Los niños deben ser supervisados para no jugar con el equipo.
- Se deben seguir las normativas nacionales sobre aparatos e instalaciones eléctricas.
- El aparato debe transportarse derecho.
- No encienda el aparato hasta una hora como mínimo después de haberlo enchufado.
- Es esencial que el aparato esté conectado a una conexión a tierra eficiente y verificada por un electricista calificado.
- El gas refrigerante escapando de una posible fuga en habitaciones sin ventilación podría ocasionar un incendio o una explosión si el refrigerante entra en contacto con calefactores eléctricos, estufas o alguna fuente de ignición.
- Manipule el aparato con cuidado cuando lo vaya a guardar para prevenir fallos mecánicos.
- Solo deberán trabajar en circuitos de refrigeración personas autorizadas por una agencia acreditada que certifique su competencia para manipular refrigerantes cumpliendo con la normativa del sector.
- No utilice medios para limpiar o acelerar el proceso de descongelación, salvo aquellos recomendados por el fabricante.
- Las sustancias inflamables o los envases presurizados (p. ej., latas de aerosoles) deben mantenerse a 1.7 pulgadas (50 cm) como mínimo.
- Utilice solamente los implementos recomendados por el fabricante para su limpieza o descongelación.
- NO haga funcionar su aire acondicionado en habitaciones húmedas, como un baño o un lavadero.
- Este aparato debe utilizarse en una habitación que permita una buena ventilación entre éste y las paredes, los muebles y demás objetos. El tamaño de la habitación debe corresponder con el área de uso especificada por el fabricante. El aparato también debe mantenerse en buen estado para prevenir daños mecánicos.

SEGURIDAD (CONTINUACIÓN)

- Se advierte que las rejillas de ventilación deben permanecer libres de obstrucciones.
- No perforo o quemé los refrigerantes.
- Tenga presente que los refrigerantes pueden ser inoloros.
- NO modifique este aparato en modo alguno para evitar situaciones de peligro.
- Cualquier procedimiento que afecte la seguridad solo deberán llevarlo a cabo personas competentes.

| SÍMBOLO | NOTA | SIGNIFICADO |
|---|-------------|---|
| R290  | ADVERTENCIA | Este símbolo indica que el aparato utiliza un refrigerante inflamable. Peligro de incendio si se produce una fuga del refrigerante y queda expuesto a una fuente externa de ignición. |
| R32  | | |
|  | ATENCIÓN | Este símbolo indica que el manual de instrucciones debe leerse con detenimiento. |
|  | | Este símbolo indica que esta unidad debería ser manipulada por un técnico siguiendo el manual de instalación. |
|  | | Este símbolo indica que la información está disponible en documentos tales como el manual de instrucciones o el manual de instalación. |

Advertencias adicionales para unidades con refrigerante de gas R290/R32

- Leer cuidadosamente las instrucciones antes de usar la unidad.
- El gas refrigerante R290/R32 cumple con las directivas ambientales UL60335-2-40 / UL60335-1.
- Este aparato contiene una cierta cantidad de gramos (consultar la etiqueta en la parte posterior de la unidad) de gas refrigerante R290/R32. La cantidad máxima de carga de refrigerante no es superior a R290 0,304 kg / R32 1,84 kg según UL60335-2-40.
- Al descongelar o limpiar, no utilizar ningún método que no sea el recomendado por el fabricante.
- No colocar la unidad en una habitación con fuentes continuas de ignición (por ejemplo, flama abierta, aparato de gas en funcionamiento o calefactor eléctrico en funcionamiento).
- No perforar y no quemar.
- No perforar ninguna parte del circuito de refrigeración.
- El gas refrigerante podría ser inodoro.
- La unidad debe instalarse, utilizarse y almacenarse en un área 2 superior a los R290 gas: 15 m²; R32 gas: 4 m².
- La acumulación de posibles fugas de refrigerante en una habitación sin ventilación podría provocar un incendio o una explosión si el refrigerante entra en contacto con calentadores eléctricos, estufas u otras fuentes de ignición.
- Solo personas autorizadas por una organización acreditada que certifique su competencia para manejar refrigerantes de conformidad con la legislación de la industria deben trabajar en el circuito de refrigerante.
- Cualquier procedimiento que afecte la seguridad solo deberán llevarlo a cabo personas competentes.

- Las reparaciones deben realizarse siguiendo las recomendaciones del fabricante. El mantenimiento y las reparaciones que requieran la asistencia de algún otro personal acreditado deben realizarse bajo la supervisión de especialistas en el uso de refrigerantes inflamables.



La reparación debe realizarse de acuerdo a las recomendaciones del fabricante. El mantenimiento y la reparación que requieran la asistencia de otro personal calificado debe ser realizado bajo la supervisión de especialistas en el uso de refrigerantes inflamables.

El transporte de equipos que contienen refrigerantes inflamables debe cumplir con las normativas de transporte.

1. La marcación del aparato mediante el uso de símbolos debe cumplir con las normas locales.
2. La eliminación de equipos que utilizan refrigerantes inflamables debe cumplir con las normativas nacionales.
3. El almacenamiento de equipos debe hacerse conforme a las instrucciones del fabricante.
4. El embalaje de protección para su almacenamiento debe construirse de tal modo que no se produzcan fugas en el refrigerante en caso de daños mecánicos en el aparato embalado. El número máximo de aparatos que pueden ser almacenados juntos estará determinado por las normas locales.
5. Esta marca indica que el producto no debe eliminarse con otros residuos domésticos en ningún lugar. Para prevenir posibles daños al medio ambiente o a la salud ocasionados por la eliminación incontrolada de desechos, recicle este producto de manera responsable con el fin de promover la reutilización sostenible de los recursos materiales. Use los sistemas de devolución y recogida para devolver el aparato, o contacte con la tienda donde realizó la compra del producto. Ellos se encargarán de reciclar este producto de una manera segura y ecológica.



Esta marca indica que este producto no debería desecharse con otro artículo del hogar como residuos. Para evitar posibles daños al medio ambiente o la salud humana derivados de la eliminación no controlada de residuos, reciclelo de manera responsable para promover la reutilización sostenible de los recursos materiales. Para devolver su aparato usado, utilice los sistemas de devolución y recolección o póngase en contacto con el distribuidor donde adquirió el producto. Pueden tomar este producto para reciclarlo de manera segura para el medio ambiente.

Felicidades por la compra de este versátil Aire Acondicionado portátil Honeywell.

En cuanto a información relativa a la instalación, manipulación, servicio, limpieza y eliminación del aparato, agradeceremos consultar el siguiente párrafo del manual.

USO RECOMENDADO

Los aires acondicionados portátiles Honeywell son ideales para el enfriamiento de lugares. El compresor, condensador y evaporador están alojados dentro de una unidad compacta. El aire es deshumidificado y enfriado mientras una manguera flexible de salida de aire envía el calor al exterior. Esta unidad incluye un juego de accesorios para ventanas. Los aires acondicionados portátiles le ofrecen una solución flexible para el enfriamiento de aire.

Sistema de auto evaporación - La unidad evapora automáticamente la humedad condensada a través de la manguera de salida de aire. No hay necesidad de vaciar el tanque de drenaje. Lea cuidadosamente estas instrucciones.

Para asegurar una eficiencia óptima del producto, recomendamos mantener las puertas y ventanas cerradas cuando esté en operación como aire acondicionado o deshumidificador. Si el producto se usa tan sólo con la función de ventilador, coloque la unidad cerca de una ventana abierta, de manera que la unidad pueda atraer el aire exterior, y el aire que circula en la habitación salga por la puerta.



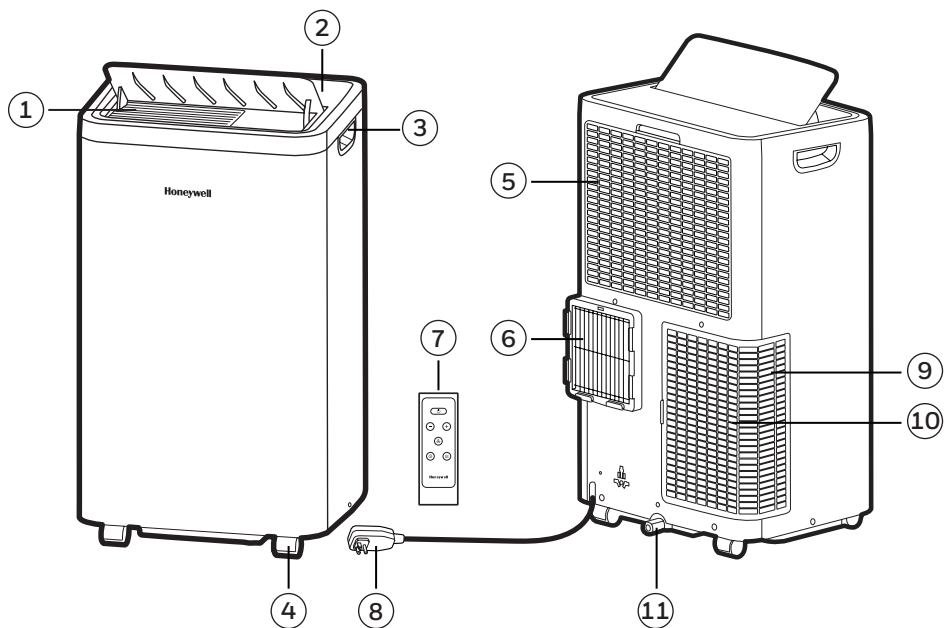
Importante:

Después de transportarlo, coloque la unidad en posición vertical para permitir que el gas refrigerante se estabilice y espere 1 hora antes de usarlo. Ajuste manualmente la ventila de aire localizada en la parte superior de la unidad, para ajustar la dirección del flujo de aire.

- Siga las instrucciones de instalación para configurar su unidad.
- Conecte la unidad a un circuito conectado adecuadamente a tierra. No conectar a un cable con extensión.

*Aplicable para modelos seleccionados con Calefacción.

DESCRIPCIÓN DE PARTES



1) Salida de Aire

2) Panel de Control
(Incluye Receptor de Señal)

3) Manija

4) Ruedas

5) Rejilla Superior

6) Conector de la Manguera

7) Control Remoto

8) Cable de Corriente Eléctrica y
Clavija con Protección de Voltaje

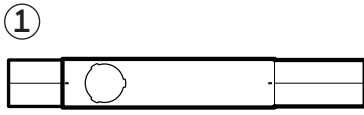
9) Rejilla Inferior

10) Filtro de Polvo Inferior

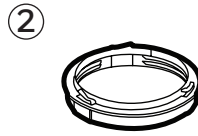
11) Tapón de Drenaje Inferior con tapa de
Plástico (Modo Aire Acondicionado)

INSTALACIÓN

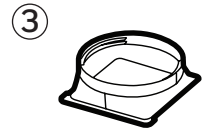
Es importante que las instrucciones de instalación se sigan para la correcta instalación de este aire acondicionado portátil. Por favor llamar al Centro de Atención a Clientes si usted tiene cualquier dificultad o duda con respecto a estos procedimientos de instalación.



x1



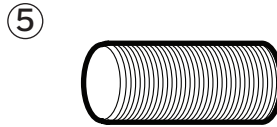
x1



x1



x1



x1



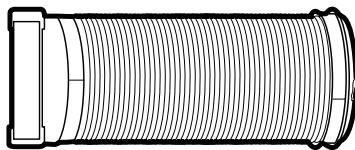
x2

Kit de Instalación:

- | | | | |
|---|-----------|-------------------------------|------------|
| 1. Soporte Deslizante para Ventana / Puerta | (1 Juego) | 4. Tapa para Orificio | (1 Pieza) |
| 2. Adaptador para Panel de Ventana | (1 Pieza) | 5. Manguera de Salida de Aire | (1 Pieza) |
| 3. Conector de Manguera | (1 Pieza) | 6. Tornillo de mariposa | (2 Piezas) |

Pasos de la Instalación:

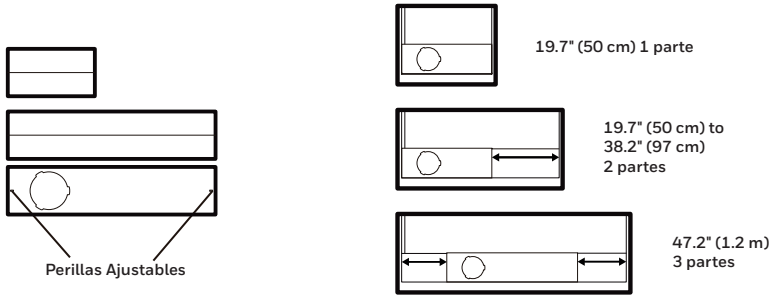
1. El conector de la manguera de salida, la manguera de salida y el adaptador del panel de soporte de ventana están pre-ensamblados dentro del empaque.



Manguera:
Longitud: 12" to 47" (30 cm to 120 cm)

INSTALACIÓN (CONTINUACIÓN)

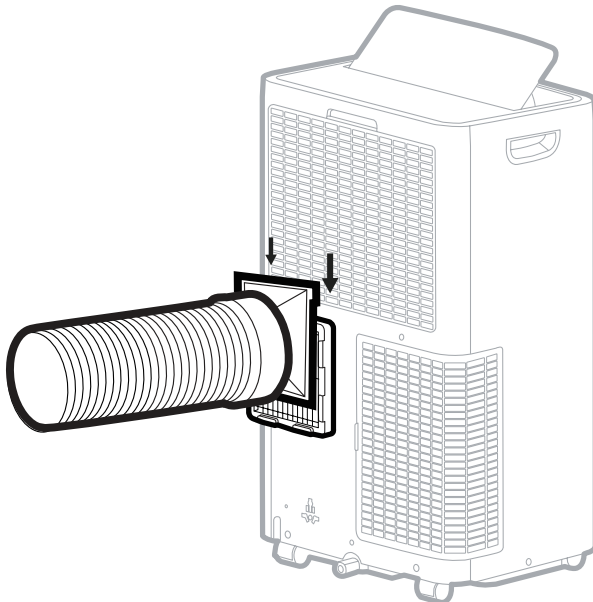
- Hay 3 longitudes diferentes para el soporte de la ventana, 19.7 pulgadas (50 cm), 38.2 pulgadas (97cm) y 47.2 pulgadas (1.2 m). Para tamaños inferiores a los indicados, lleve el panel a su ferretería local para que lo corten a la longitud que necesita. El soporte se puede instalar en horizontal o en vertical.



Ajuste la longitud del soporte de la ventana de acuerdo con la altura o la anchura del marco de la ventana. Cuando haya ajustado el perfil para que coincida con el ancho o alto del marco apriete los tornillos tipo mariposa preinstalados en el perfil para asegurar el perfil en la posición deseada. Utilice una o las dos piezas según su necesidad.

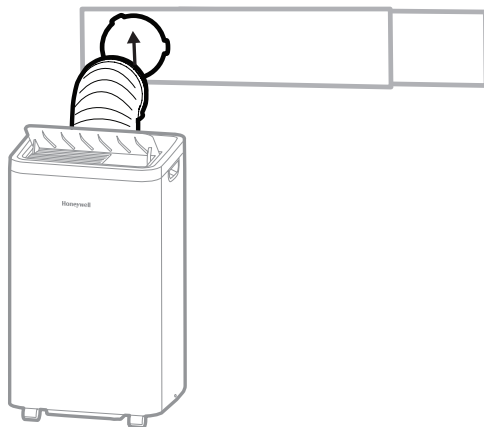
Nota: Después de ajustar el Adaptador de Soporte De Ventana al tamaño de su ventana removerlo de misma manera y seguir las siguientes instrucciones.

- Conecte la Manguera de Salida de Aire al conector de manguera en la parte posterior de la unidad. Deslizar hacia adentro el conector de la manguera de arriba a abajo.

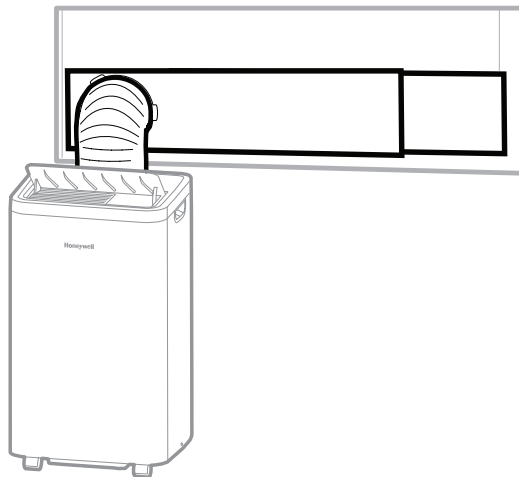


INSTALACIÓN (CONTINUACIÓN)

4. Conecta el soporte para la ventana al adaptador del panel de soporte para la ventana. Desliza el adaptador del panel de soporte para la ventana y luego gira en el sentido de las manecillas de reloj hasta que quede bloqueado en su lugar.



5. Conectar el soporte de ventana a su ventana.

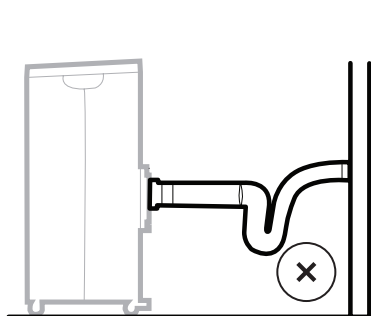


6. Su Aire acondicionado portátil está listo para usarse.

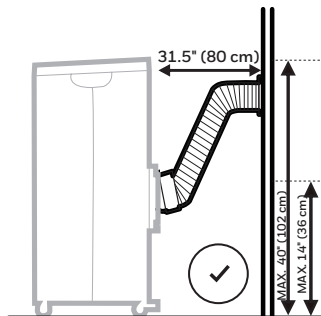
INSTALACIÓN (CONTINUACIÓN)

IMPORTANTE:

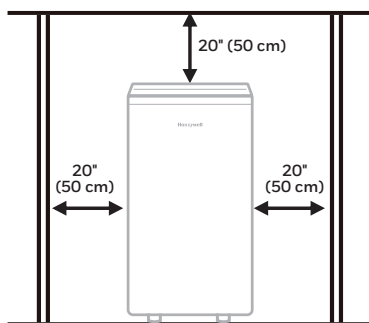
No reemplazar o alargar la manguera de salida de aire ya que esto podría provocar un mal funcionamiento de la unidad.



NO RECOMENDADO



RECOMENDADO

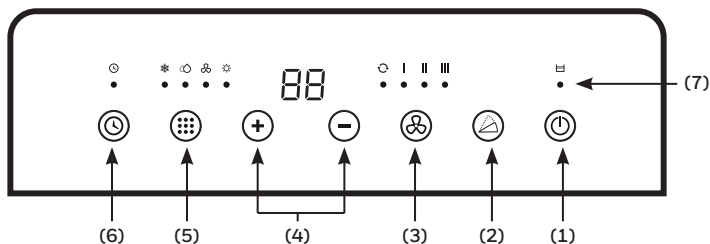


EL ESPACIO DE AIRE MÍNIMO

ADVERTENCIA: Cualquier garantía que se incluya con este producto será anulada si una manguera de extensión se añade al kit de instalación suministrado originalmente o si la instalación se realiza de manera diferente a las instrucciones del fabricante, sin la debida consulta. Póngase en contacto con el Centro de Atención al Cliente en caso necesario, para obtener ayuda con los procedimientos de instalación correctos.

- La manguera de salida proporcionada tiene un salida de 5.5" (14 cm) y puede ser extendida de 12" a 47" (30 cm a 120 cm).
- No doblar (como se muestra arriba) la manguera de salida de aire. Una manguera doblada bloqueará el aire de salida y ocasionará que la unidad se apague inmediatamente.
- Asegúrese que la parte trasera de la unidad esté a al menos 31.5" (80 cm) de distancia de la pared, y el espacio de aire mínimo desde la parte superior / frontal / izquierda / derecha es de 20 "(50 cm). No coloque la unidad frente a cortinas o cortinas, ya que esto podría obstruir el flujo de aire.

PANEL DE CONTROL



- | | | |
|---|--|------------------------|
| 1) Control de encendido/ apagado | 4) Controles de ajuste del temporizador y la temperatura | 7) Luz de tanque lleno |
| 2) Control de oscilación | 5) Selector de modo | |
| 3) Control de la velocidad del ventilador | 6) Control del temporizador | |

BOTONES DE FUNCIONES

CONTROL DE ENERGÍA

El control de energía enciende y apaga la unidad. Rango de humedad de uso: 30% - 80% RH.

CONTROL DE OSCILACIÓN

Presione el botón en el panel de control para activar la oscilación automática de las rejillas. Presione el botón nuevamente para detener la oscilación cuando las rejillas alcancen el ángulo deseado.

Nota: Para no dañar los mecanismos internos, las rejillas no deben ser movidas manualmente.

Nota: Después de apagar el aire acondicionado, debe esperar 3 minutos antes de volver a encenderlo.

CONTROL DE LA VELOCIDAD DEL VENTILADOR

4 niveles: Automático , Baja , Medio y Alta .

Ventilador Automático

Pulse el botón + o - para seleccionar la temperatura que desee. Pulse el botón Modo para seleccionar el modo de aire acondicionado o calefacción. Después de pulsar el botón del ventilador y seleccione Ventilador automático , la unidad funcionará automáticamente con la velocidad del ventilador en función de la diferencia de temperatura entre la temperatura ajustada y la temperatura ambiente.

Nota: Automática: esta función sólo se puede seleccionar en modo aire acondicionado o calefacción.

*Aplicable para modelos seleccionados con Calefacción.

BOTONES DE FUNCIONES (CONTINUACIÓN)

AJUSTE DE TEMPERATURA



- Se usan para ajustar el temporizador y termostato.
- La visualización predeterminada es la temperatura ambiente.
- In cooling mode, when + or - button is pressed, the set temperature is displayed and may be adjusted. Después de unos segundos, la pantalla volverá a la temperatura ambiente.
La temperatura sólo se puede ajustar en modo aire acondicionado o calefacción

Nota: Al presionar ambos botones + o - al mismo tiempo, la pantalla cambiará entre el valor en grados Celsius (°C) y Fahrenheit (°F).



SELECTOR DE MODO

Modos: aire acondicionado, deshumidificación, ventilación, calefacción*.

La luz indicadora correspondiente se iluminará para indicar el modo actual seleccionado.

- Modo de aire acondicionado (FRÍO) 
Ajuste la velocidad del ventilador y la temperatura ambiente al nivel de confort deseado. La temperatura puede ajustarse entre 61°F y 89°F (16°C - 32°C).
- Modo de deshumidificación (SECO) 
El aire es deshumidificado al pasar por la unidad cuando no está en el modo de refrigeración. Si la temperatura de la habitación es superior a 77°F (25°C), la velocidad del ventilador puede ajustarse; de lo contrario, la velocidad del ventilador está preajustada en velocidad baja.

Nota: si la unidad se utiliza principalmente como un deshumidificador, no conecte el ducto de escape. Será necesario un drenaje continuo (consulte Drenaje continuo para el modo de deshumidificación).

- Modo de ventilación 
Hace circular el aire sin enfriamiento.
- Modo de calefacción* 
La luz indicadora se ilumina al seleccionar el modo de calefacción. La calefacción se activa si la temperatura ambiente cae por debajo de 44°F - 77°F (7°C - 25°C). En este modo, la temperatura puede ajustarse entre 61°F y 77°F (16°C - 25°C).

Nota: el ducto de escape debe expulsar el aire fuera de la habitación cuando se utiliza el modo de calefacción.

IMPORTANTE: La humedad del ambiente absorbida por la bomba de calor se condensa en el depósito de agua interno. La unidad se detendrá cuando el depósito se llene y reanudará su funcionamiento una vez vaciado. Se recomienda usar el modo de calefacción en una habitación con un nivel de humedad igual o inferior al 50%. No utilice productos o aparatos que produzcan humedad, tales como humidificadores o hervidores, cuando use la unidad en el modo de calefacción. Consulte el apartado Drenaje del agua condensada en el modo de calefacción para más información sobre el drenaje del depósito de agua.


*Aplicable para modelos seleccionados con Calefacción.

BOTONES DE FUNCIONES (CONTINUACIÓN)

CONTROL DEL TEMPORIZADOR

Con la unidad encendida, pulse el botón del temporizador y use los botones + y - para ajustar el número de horas que quiere que la unidad siga funcionando. Luego presione el botón del temporizador nuevamente para confirmar, La unidad se encenderá y apagará automáticamente.

APAGADO AUTOMÁTICO:


Mientras la unidad esté funcionando, presionar el botón  y el display parpadeará. Mientras el display esté parpadeando, presionar el botón + o - para seleccionar el número de horas que deseé. La unidad se apagará automáticamente transcurrido este tiempo.

ENCENDIDO AUTOMÁTICO:

Con la máquina en modo de espera, pulse primero el botón  presione el botón + o - para seleccionar el número de horas hasta que la unidad se inicie automáticamente en funcionamiento.

Nota:El tiempo es ajustable entre 1 - 24 horas.

LUZ DE DEPÓSITO LLENO

Si el tanque interno se llena, se encenderá la luz de tanque de agua lleno . La unidad no funcionará hasta que el tanque haya sido drenado (consulte la sección "Drenaje de agua condensada").

LUZ DE ADVERTENCIA

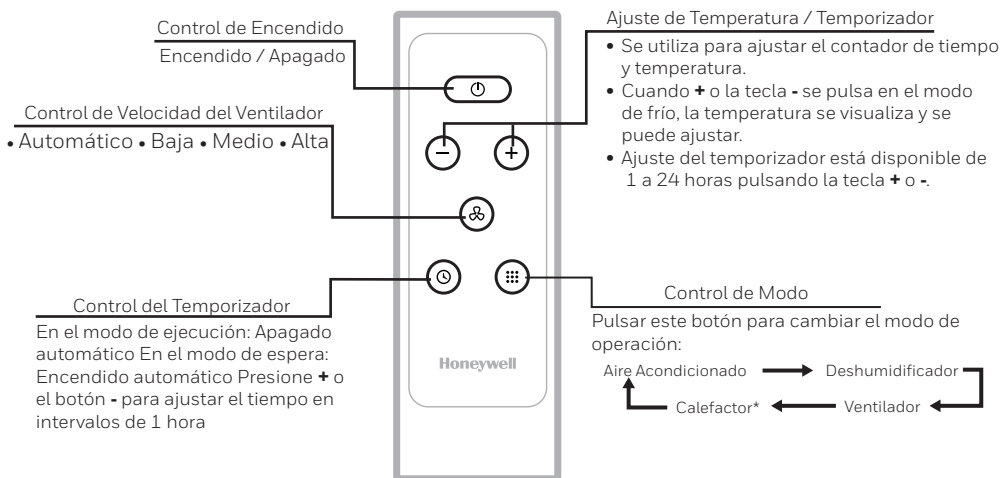
La humedad condensada en agua puede acumularse en la unidad.

Si el tanque interno se llena, la luz de advertencia parpadeará y emitirá 10 pitidos, la unidad no funcionará hasta que se haya drenado la unidad (consulte la sección Drenaje de agua condensada).

Después de apagar el aire acondicionado, debe esperar 3 minutos antes de volver a encenderlo.

CONTROL REMOTO

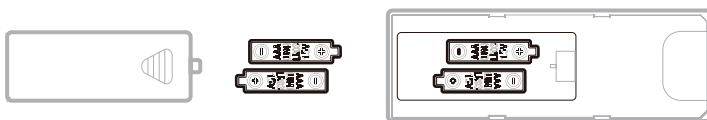
Las funciones trabajan igual que los controles del aire acondicionado portátil. Todas las funciones de las teclas se puede acceder desde el control remoto.



*Aplicable para modelos seleccionados con Calefacción.

Nota:

- Instalación de Baterías: quite la cubierta en la parte trasera del control remoto e inserte dos baterías AAA con los polos “+” y “-” apuntando a la dirección correcta.



Precaución:

- Use sólo dos baterías AAA ó IEC R03 1,5V.
- Retire las baterías si el control remoto no se va a utilizar por más de un mes.
- Todas las baterías deben reemplazarse al mismo tiempo, no mezclar con baterías viejas.
- No mezcle pilas alcalinas, estándar (zinc-carbón) o recargables (níquel-cadmio).
- Deshágase de las baterías usadas.

Este dispositivo cumple con la parte 15 de las reglas de la FCC. La utilización del dispositivo está sujeta a dos condiciones: 1. Este dispositivo no provoca ninguna interferencia perjudicial. 2. Este dispositivo aceptará cualquier interferencia que reciba, incluyendo aquellas que provoquen una operación no deseada.

Se ha probado el equipo y cumple con las condiciones establecidas para dispositivos digitales de clase B por la parte 15 de las reglas de la FCC. Estas condiciones se han establecido con el objetivo de proteger instalaciones residenciales de interferencias peligrosas. Este equipo genera, utiliza y puede emitir energía de frecuencia de radio y, si no se instala y utiliza de acuerdo con las instrucciones, puede provocar interferencias peligrosas en las comunicaciones de radio; sin embargo, no existe garantía alguna de que la interferencia no tenga lugar en una instalación en concreto. Si este equipo provoca interferencia perjudicial en la recepción de radio o televisión, hecho que puede comprobarse apagando y encendiendo el equipo, el usuario tendrá que corregir la interferencia tomando una o varias de las medidas que se detallan a continuación:

- Volver a orientar o colocar la antena receptora.
- Aumentar la separación existente entre el equipo y el receptor.
- Conectar el equipo en un enchufe diferente al que estaba el receptor conectado.
- Consultar al distribuidor o solicitar la ayuda de un técnico especialista en radio y televisión.

Precaución: Se requiere la utilización de cable apantallado para cumplir con los límites de clase B especificados en la subparte B de la parte 15 de las reglas de la FCC. No realice cambios ni modificaciones al equipo a menos que estén especificados en el manual. Si realiza tales cambios o modificaciones, se le puede exigir que pare con la utilización del equipo.

Mantenimiento de la unidad:

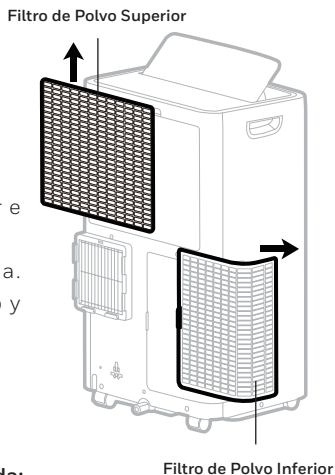
1. Apague la unidad antes de desconectarla de la toma de corriente eléctrica.
2. Limpie con un lienzo suave y seco.

Mantenimiento para el Filtro de Polvo:

El filtro de polvo debe limpiarse cada dos semanas para mantener la eficiencia de la refrigeración del aire.

Por favor, siga las siguientes instrucciones para limpiar los filtros de polvo:

1. Apagar el equipo y remover los filtros de polvo superior e inferior.
2. Lave con una solución de detergente en agua tibia. Después de limpiarlo, séquelo en un lugar sombreado y fresco, después reinstale.



Almacenamiento y Mantenimiento al Terminar la Temporada:

Si la unidad no se usará por un periodo prolongado de tiempo:

1. Asegúrese de drenar la condensación del agua sobrante. Retire el tapón de drenaje inferior y utilizar una bandeja de poca altura para recoger el agua (asegúrese de colocar el tapón de drenaje cuando termine).
2. Para secar el exceso de humedad, haga funcionar la unidad en modo de sólo ventilador durante
3. 30 minutos antes de guardarla.
Apague y desconecte el acondicionador de aire de la toma de corriente eléctrica.
4. Quite el filtro de aire y limpie con agua. Seque el filtro de aire y vuelva a instalarlo en la unidad.
5. Desconexión del kit de instalación para Ventana:
 - Para retirar la manguera del canal de entrada de aire, gira la perilla en sentido de las manecillas del reloj para desbloquear el mecanismo y luego desliza hacia afuera.
 - Retira el adaptador del panel del soporte para la ventana girando la pieza en sentido contrario a las manecillas del reloj y luego jala hacia afuera.
 - Se recomienda almacenar las piezas del kit de ventana en una bolsa junto con el control remoto y colocarlos junto con la unidad de aire acondicionado.
 - Si es necesario, puede limpiar el Kit de ventana con un paño húmedo y agua antes de guardarla. Asegúrese de que todas las partes del kit de ventana estén secas antes de guardarlas.
6. Cubra la unidad de aire acondicionado con una bolsa de tela / plástico antes de su almacenamiento, para proteger del polvo y rayones en la superficie de la unidad.
7. Se recomienda enrollar el cable de alimentación y almacenarlo lejos del piso para asegurarse de que el cable esté protegido de inclinaciones y pliegues.
8. Colocar su aire acondicionado en un lugar seco y fresco, lejos de la luz directa.

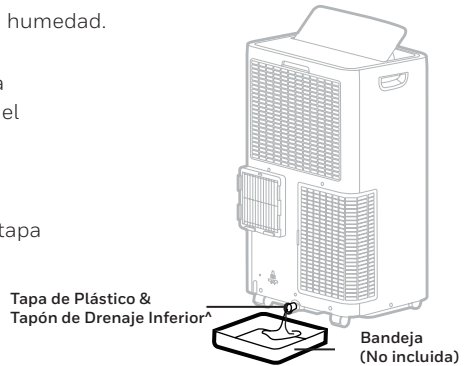
DRENADO DE AGUA

Cuando la unidad tiene un exceso de agua de condensación dentro de la unidad, el equipo dejará de funcionar y mostrará una luz de advertencia. (el botón de encendido parpadeará con una luz roja) Este error indicará que el agua necesita ser drenada de acuerdo a algunos de los métodos:

Drenado Manual en Enfriamiento. Modo Deshumidificador y Calefactor*

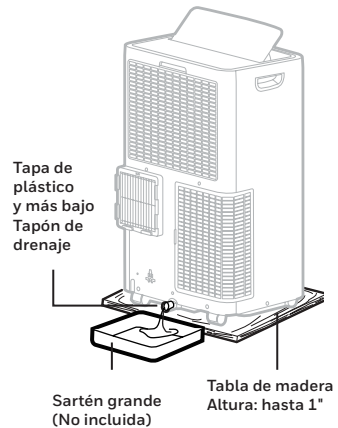
Es necesario drenar el agua en áreas de muy alta humedad.

1. Desconecte la unidad de la corriente eléctrica
2. Coloque una bandeja de poca altura debajo del tapón de drenaje. Vea el diagrama.
3. Remover la el tapón de drenaje inferior.
4. El agua drenada se acumula en la bandeja.
5. Después de que el agua es drenada, cierre la tapa firmemente.
6. Ahora puede encender la unidad.



Si encuentra que existe un volumen alto de condensación y la bandeja poco profunda no es suficiente para su uso, puede usar usted una cubeta más grande para desaguar. Siga las instrucciones siguientes cuidadosamente:

1. Encuentre una tabla estable de 1" de espesor. La base puede ser una tabla de madera comprada en su tienda local, con una dimensión mínima en la base de 20" (largo) y 17" (ancho) x 1" (grosor).
2. La base debe ser suficientemente grande y fuerte para que el aire acondicionado portátil quepa encima. El aire acondicionado debe estar estable y no inclinarse o moverse cuando se coloque sobre esta base y que no pueda volcarse fácilmente.
3. Desagüe el agua del tapón inferior del drenaje cuando sea necesario, en una cubeta más grande o través de un tubo de desagüe. Si está usando un tubo de desagüe, puede comprar tubería de vinil que tenga un diámetro de 5/8" y un diámetro interno de 1/2".
Recuerde que el tubo de desagüe debe colocarse más abajo que el tapón de desagüe, para que el agua de la condensación no fluya de regreso hacia el aire acondicionado.



PRECAUCION: Por razones de seguridad, el aire acondicionado NO debe ser colocado sobre una base más alta de 1" del suelo. Esto solo se recomienda si tiene una base estable y plana para colocar el aire acondicionado de forma segura.

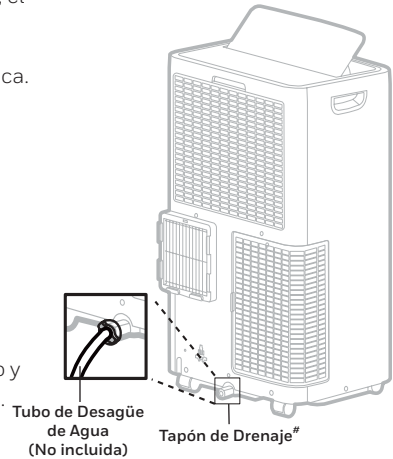
*Aplicable para modelos seleccionados con Calefacción.

^ External Dia.: 17 mm

Drenaje Continuo para Modo Deshumidificador

Mientras utiliza la unidad en el modo deshumidificador, el drenaje continuo es recomendado.

1. Desconecte la unidad de la toma de corriente eléctrica.
2. Retire el tapón de drenaje inferior.
Mientras se hace esta operación se genera algún derrame de agua, así que por favor tenga un recipiente para el agua.
3. Instalar el conector con 3/4 de manguera (manguera no incluida).
4. El agua se puede drenar continuamente a través de la manguera de drenaje en un desagüe en el suelo o en una cubeta.
5. Cuando se haya completado el drenaje, retire el tubo y vuelva a colocar el tapón de drenaje. Vea el diagrama.
6. Ahora puede encender la unidad.



IMPORTANTE: NO se recomienda conectar la manguera de desagüe para un desagüe continuo, mientras la unidad esté encendida en el modo enfriamiento del aire acondicionado. Hacerlo puede reducir la eficiencia de enfriamiento del aire acondicionado. Únicamente desagüe la condensación del agua cuando la unidad esté apagada. El desagüe continuo es conveniente solamente cuando la unidad está puesta en modo Deshumidificador.

Una manguera de drenaje más larga o una diferencia de altura insuficiente entre el tapón de drenaje y el suelo pueden reducir el drenaje del agua.

IMPORTANTE: El agua no puede ser drenada usando la opción de desagüe continuo en el modo calefactor*. En el modo calefactor*, el tanque de agua interno recoge la condensación más rápido y puede requerir vaciados del tanque más frecuentes en habitaciones húmedas. Se recomienda usar el modo calefactor* en una habitación con un máximo de 50% de humedad. Evite operar productos que crean humedad o aparatos, tales como un humidificador o una tetera cuando use la unidad en modo calefactor*.

*Aplicable para modelos seleccionados con Calefacción.

External Dia: 17 mm

La siguiente guía solución de problemas aborda los problemas más comunes. Si los problemas persisten, llame a servicio al cliente. Desconecte el aparato de la corriente eléctrica antes de intentar reparar cualquier problema.

| PROBLEMA | POSIBLE CAUSA | SOLUCIÓN |
|--|--|--|
| El equipo de aire acondicionado no opera | No hay electricidad. | Revisar la corriente eléctrica. |
| | Las baterías en el control remoto están agotadas. | Cambie las baterías del control remoto. |
| | El cable eléctrico no está conectado correctamente. | Desconecte y reconecte el cable de alimentación. |
| | El dispositivo de seguridad en la clavija LCDI se ha roto (USA / CANADA / MEXICO solamente). | Resetear el dispositivo protector, si el problema persiste contactar al servicio al cliente (USA / CANADA / MEXICO solamente). |
| La unidad funciona solo por un corto tiempo | La temperatura seleccionada está demasiado cerca de la temperatura ambiente. | Baje la temperatura seleccionada. |
| | La salida de aire está bloqueada por un obstáculo. | Revise que la salida de aire no esté obstruida por ningún obstáculo. |
| | Hay codos que estrangulan la manguera de salida de aire. | Conecte la manguera de escape de acuerdo con instrucciones en página 6. |
| En Modo calefactor*, la unidad está apagándose frecuentemente. | La habitación es demasiado húmeda. El Tanque de Agua necesita ser vaciado. | En Modo calefactor*, la bomba de calor condensa la humedad del aire en el tanque de agua interno. En habitaciones mas húmedas, recogerá mas rápido y necesitará ser vaciado mas frecuentemente. Se recomienda usar el modo calor en habitaciones con un máximo de 50% de humedad. Apague cualesquiera aparatos tales como, un humidificador o tetera para evitar que se cree humedad extra en la habitación cuando se opera en modo calor. |

*Aplicable para modelos seleccionados con Calefacción.

| PROBLEMA | POSIBLE CAUSA | SOLUCIÓN |
|---|--|---|
| Funciona pero no enfría | Una puerta o ventana está abierta. | Cerrar cualquier puerta o ventana que se encuentre abierta. |
| | El filtro de polvo está sucio. | Retirar los filtros de polvo y lavarlos. |
| | La manguera de salida de aire está desconectada. | Reinstalar la manguera de salida de aire adecuadamente (consulte la sección instalación). |
| | La temperatura configurada es demasiado alta. | Reducir la temperatura en el panel de control. |
| | La salida o entrada de aire están bloqueadas. | Revisar que entre y salga suficiente aire en el equipo. |
| | Habitación excede el tamaño recomendado. | Mover la unidad a un cuarto más pequeño. |
| | El tamaño o número de ventanas grandes disminuirán la eficacia del enfriamiento. | Cubrir las ventanas con cortinas o persinas. |
| El equipo no funciona y botón de encendido está parpadeando (Indicador de agua lleno) | El tanque interno de la unidad está lleno. | Drene el agua (consulte Drenado de Agua). |

GUÍA DE SOLUCIONES (CONTINUACIÓN)

| PROBLEMA | POSIBLE CAUSA | SOLUCIÓN |
|--|---|---|
| El calefactor* no enciende. (Esto solo puede ser aplicable para los modelos de aire acondicionado portátiles con función integrada de calefacción*). | La función de calefacción* no está activada aún. La temperatura ambiente es muy alta. | Revise que la función de calefacción* haya sido activada. ☀️ se iluminará cuando el calefactor sea encendido. |
| | La función de calefacción* se activa solo cuando la temperatura ambiente es inferior a los 77°F (25°C). | Encienda la función de calefacción* cuando la temperatura ambiente llegue a niveles inferiores a los 77°F (25°C). |

ERROR CODE GUIDE

| ERROR CODE | ERROR POSSIBLE CAUSE |
|---|--|
| "E1" | Temperature sensor open circuit/short circuit. |
| "E2" (for cooling and heating model) | Copper tube sensor open circuit short circuit. |
| "Lo" | Temperature is below 32°F (-9°C). |
| "Hi" | Temperature is over 99°F (50°C). |

*Aplicable para modelos seleccionados con Calefacción.

ES

Hecho en China
© 2022 JMATEK Limited. Todos los derechos reservados.
La marca Honeywell es usada bajo licencia de Honeywell International Inc. Honeywell International Inc. no representa ni garantiza este producto.
Este producto es fabricado por Airtek Int'l Corp. Ltd. (subsidiaria de JMATEK Limited).

FR

Fabriqué en Chine
© 2022 JMATEK Limited. Tous droits réservés.
La marque déposée Honeywell est utilisée en vertu d'une licence de Honeywell International inc.
Honeywell International inc. ne fait aucune déclaration et ne donne aucune garantie à l'égard de ce produit.
Ce produit est fabriqué par Airtek Int'l Corp. Itée (une filiale de JMATEK Limited).

EN

Made in China
© 2022 JMATEK Limited. All rights reserved.
The Honeywell Trademark is used under license from Honeywell International Inc.
Honeywell International Inc. makes no representations or warranties with respect to this product.
This product is manufactured by Airtek Int'l Corp. Ltd. (subsidiary of JMATEK Ltd.).

JMATEK North America LLC
Mahwah, New Jersey 07495 USA
Email: usinfo@jmatek.com
Web: www.jmatek.com

Honeywell