

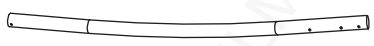
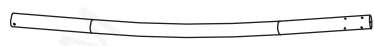
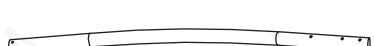






10' x 13' Patio Canopy_16089BG














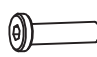

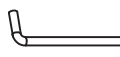

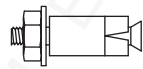
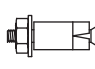
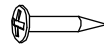
Assembly Instructions



Notification

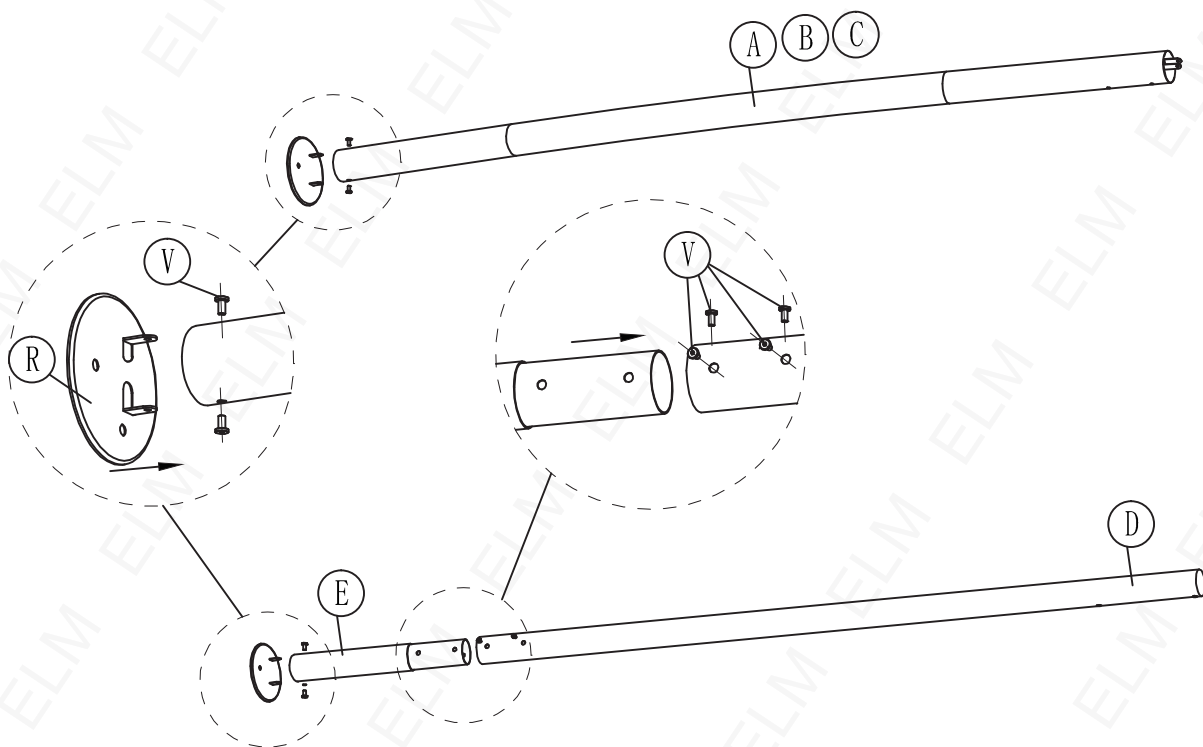
1. We care about your shopping experience, kindly contact us freely if any part missing or defective or any other issue, we will try our best to solve it asap.
2. Recommend at least 3 persons and prepare a ladder to assemble the product.
3. The product is packed in 2 boxes. Please start assemble it after receive all boxes.

Box 1/2		
A  1PC	B  1PC	C  1PC
E  2PCS	G  3PCS	H  1PC
I  2PCS	L  4PCS	K  4PCS

Box 2/2			
D  2PCS	F  2PCS	J  2PCS	
M  1PC	N  1PC	O  1PC	
P  1PC	Q  6PCS	R  5PCS	
S  4PCS	T  1PC	U  1PC	V  M6*15 47PCS
W  M6*30 15PCS	X  M6*85 2PCS	Y  10PCS	Z  13PCS
Z1  3PCS	Z2  10PCS	Z3  10PCS	

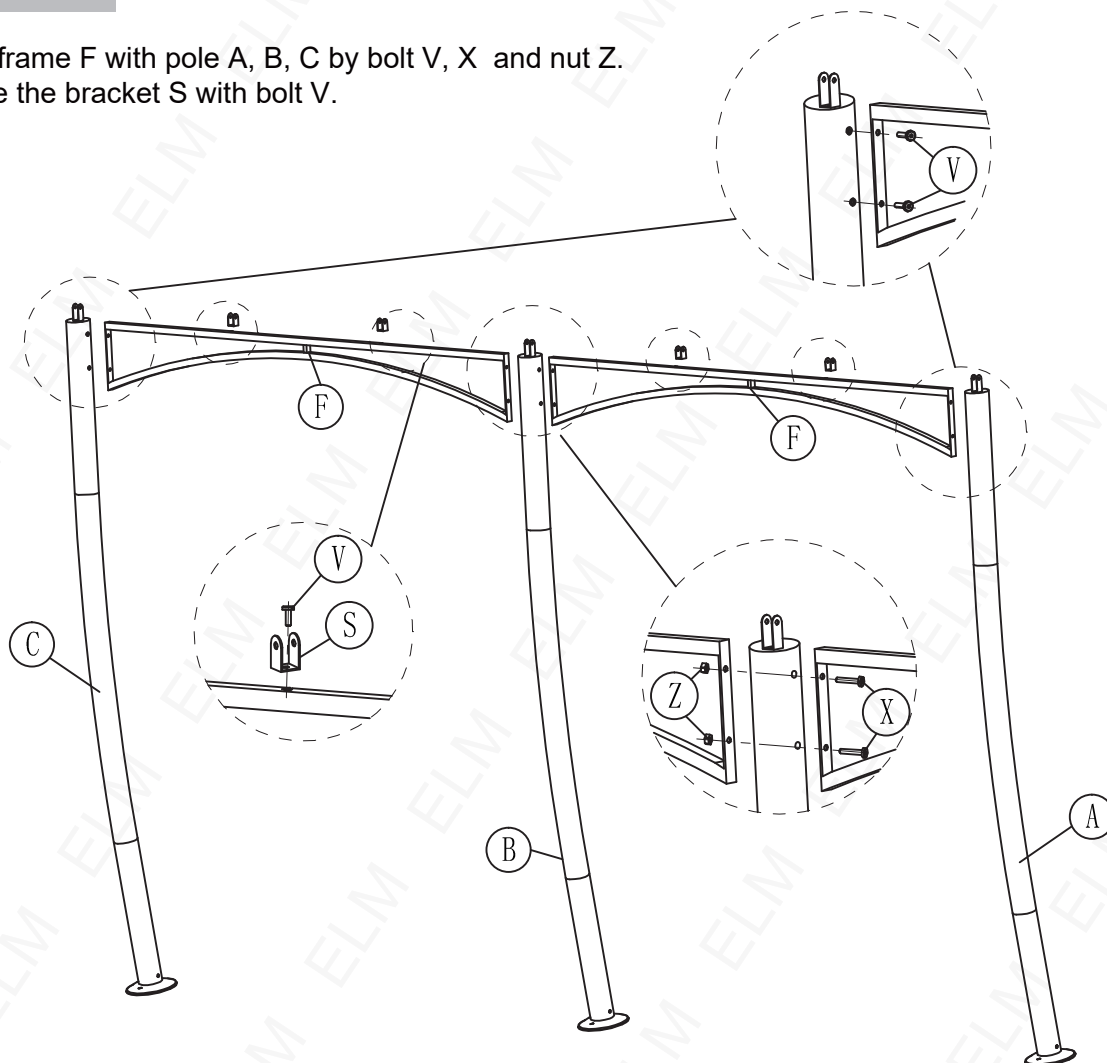
STEP 1

Connect pole D with E by bolt V, assemble part R with pole A, B, C, E with bolt V.



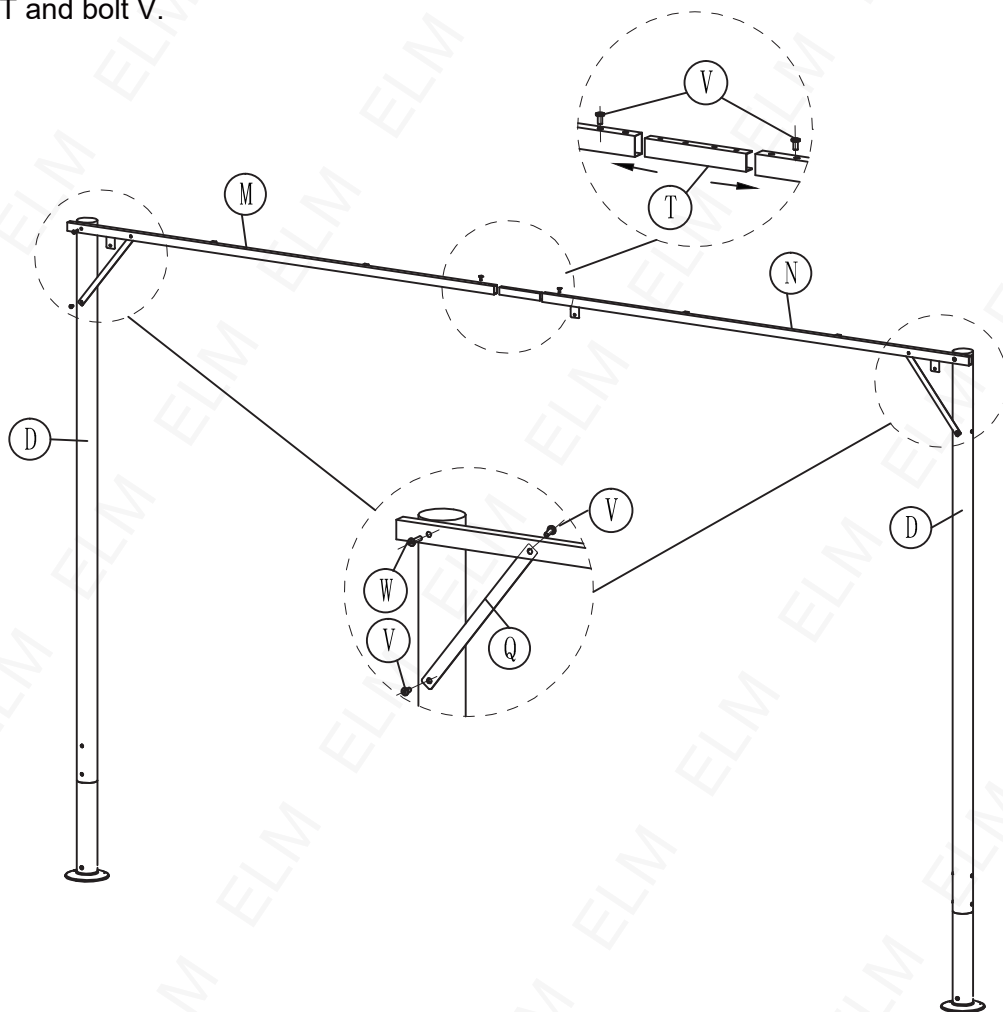
STEP 2

Connect frame F with pole A, B, C by bolt V, X and nut Z.
Assemble the bracket S with bolt V.



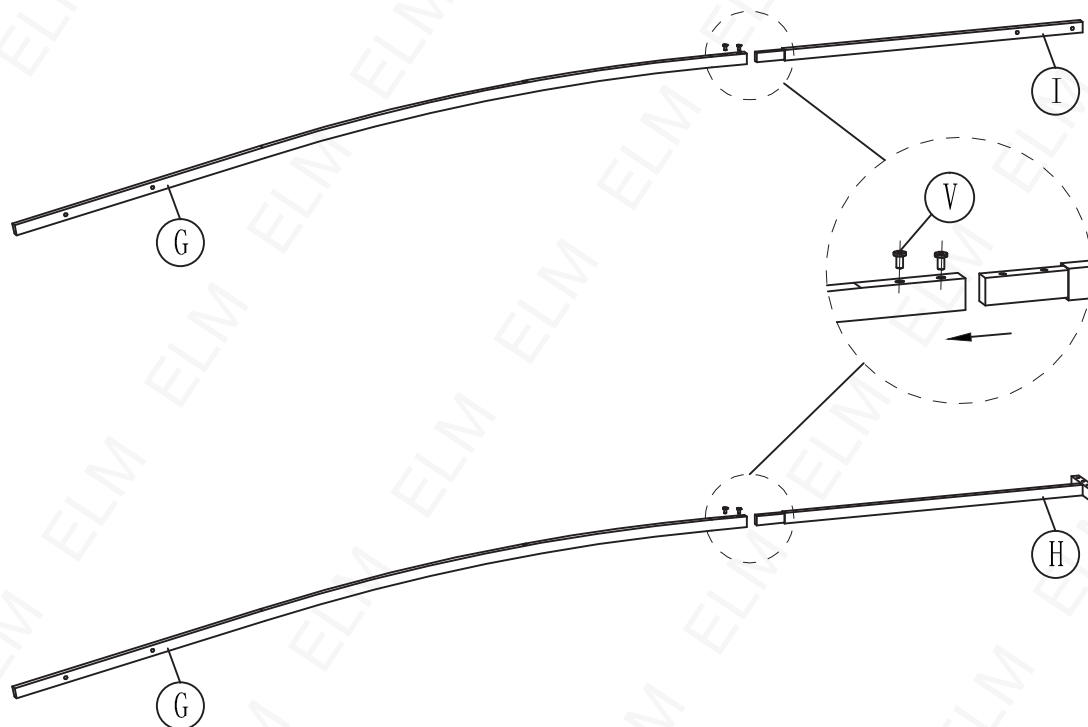
STEP 3

Assemble the frame M, N with pole D with support bracket Q, bolt V and W, connect frame M, N with part T and bolt V.



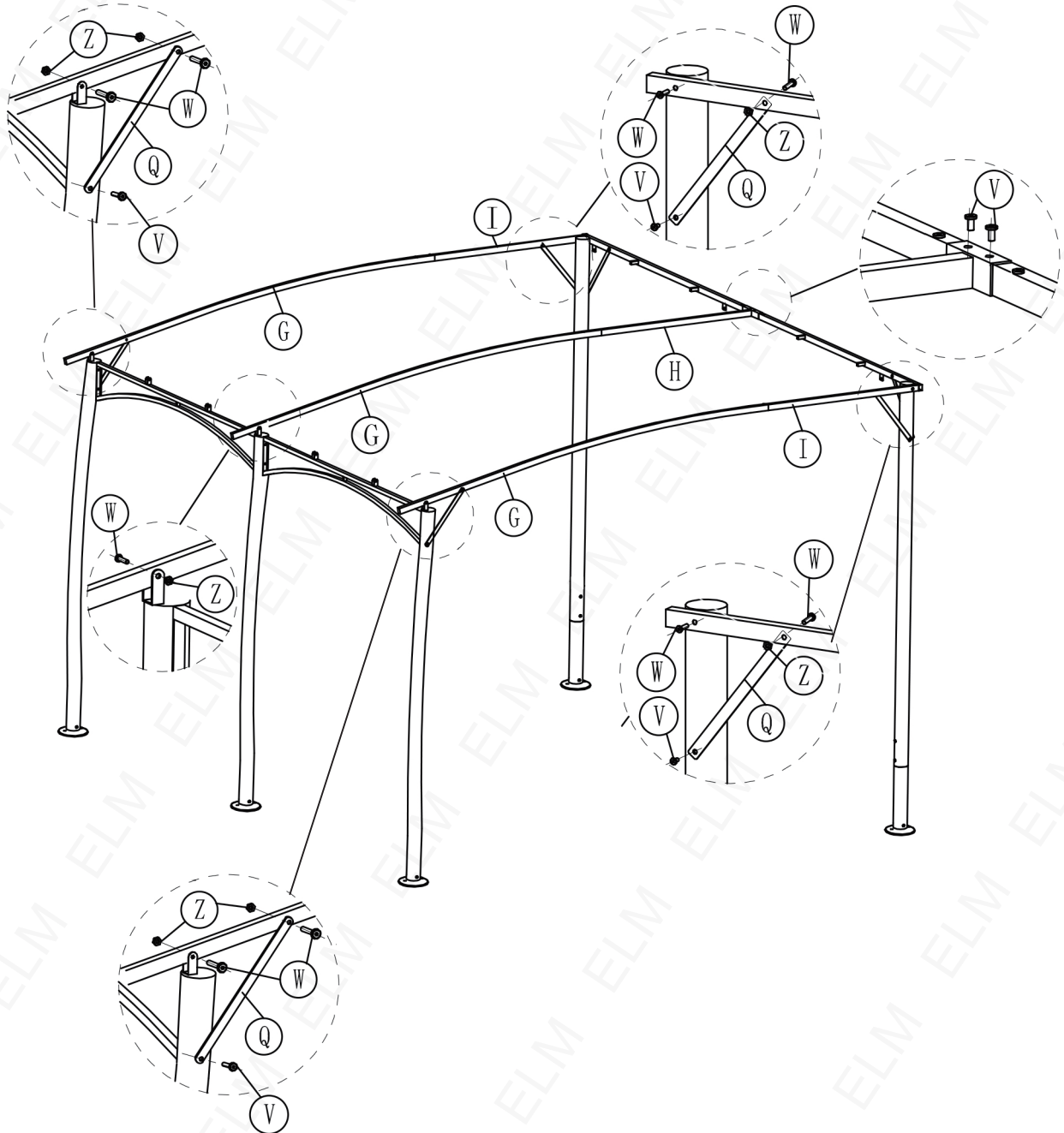
STEP 4

Connect frame G with frame I, H by bolt V.



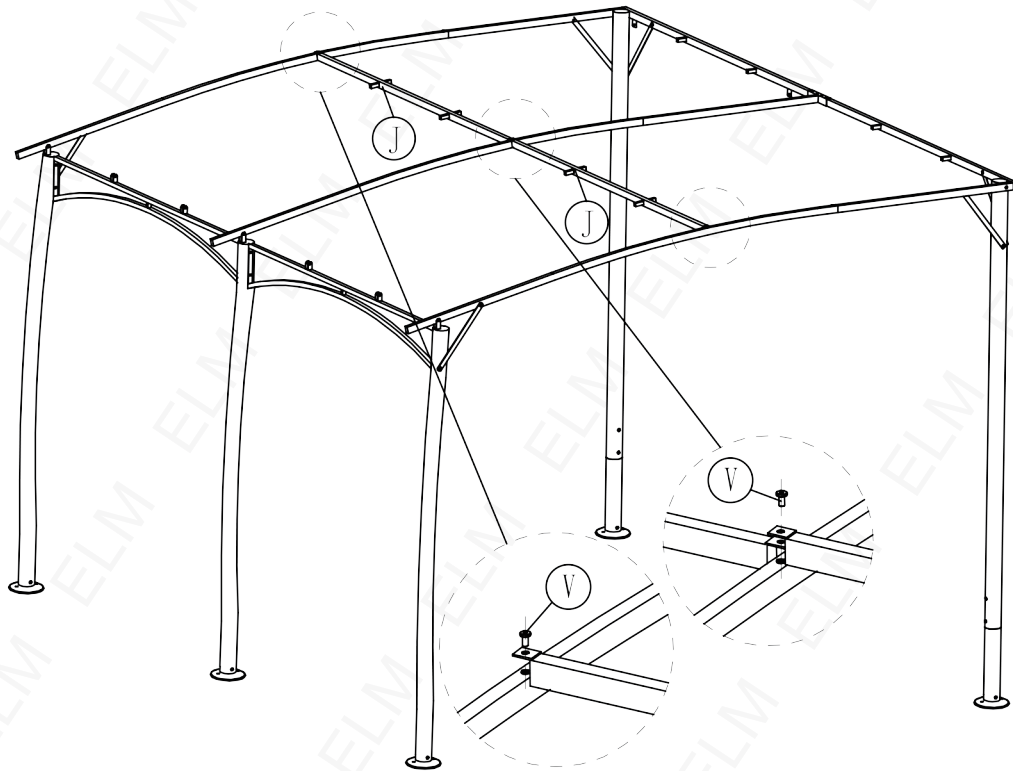
STEP 5

Connect the frame G, I with base pole by support bracket Q, bolt V, W and nut Z.
Assemble the frame G, H with pole by bolt W, V and nut Z.



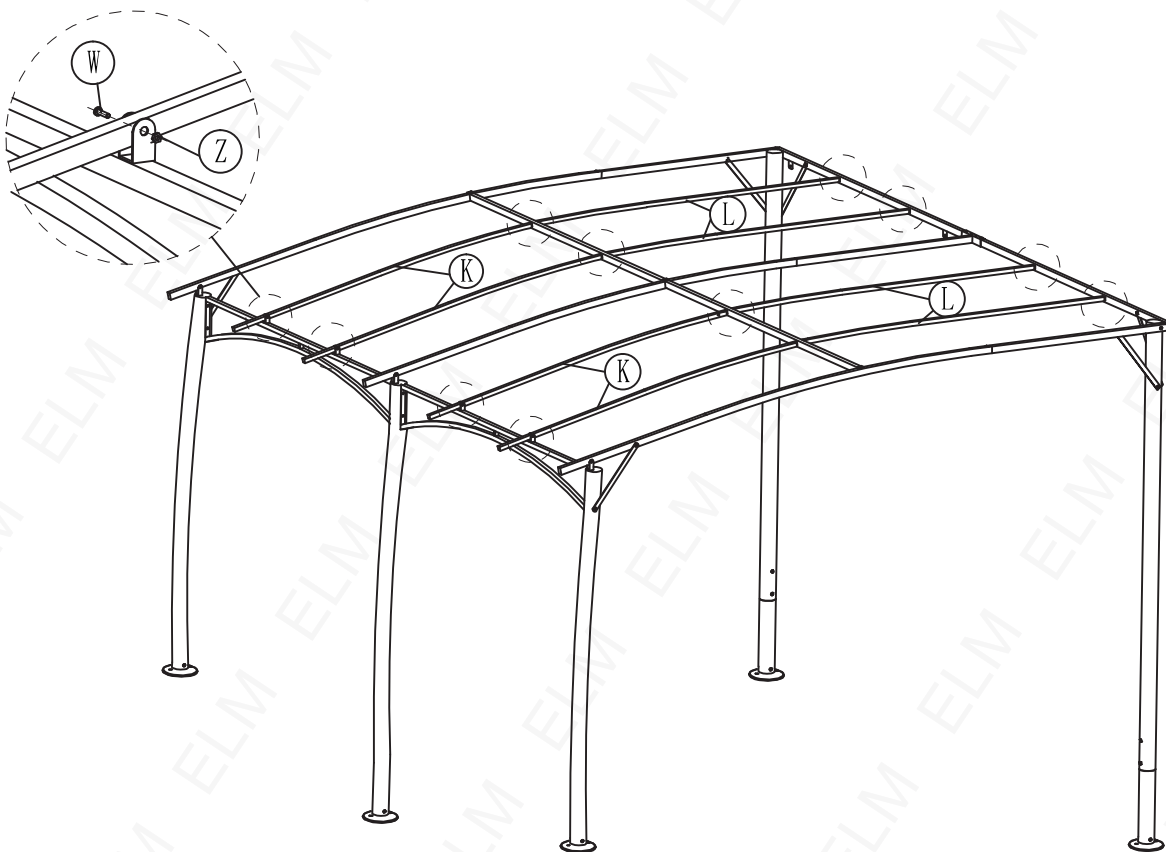
STEP 6

Connect the frame J with pole by bolt V.



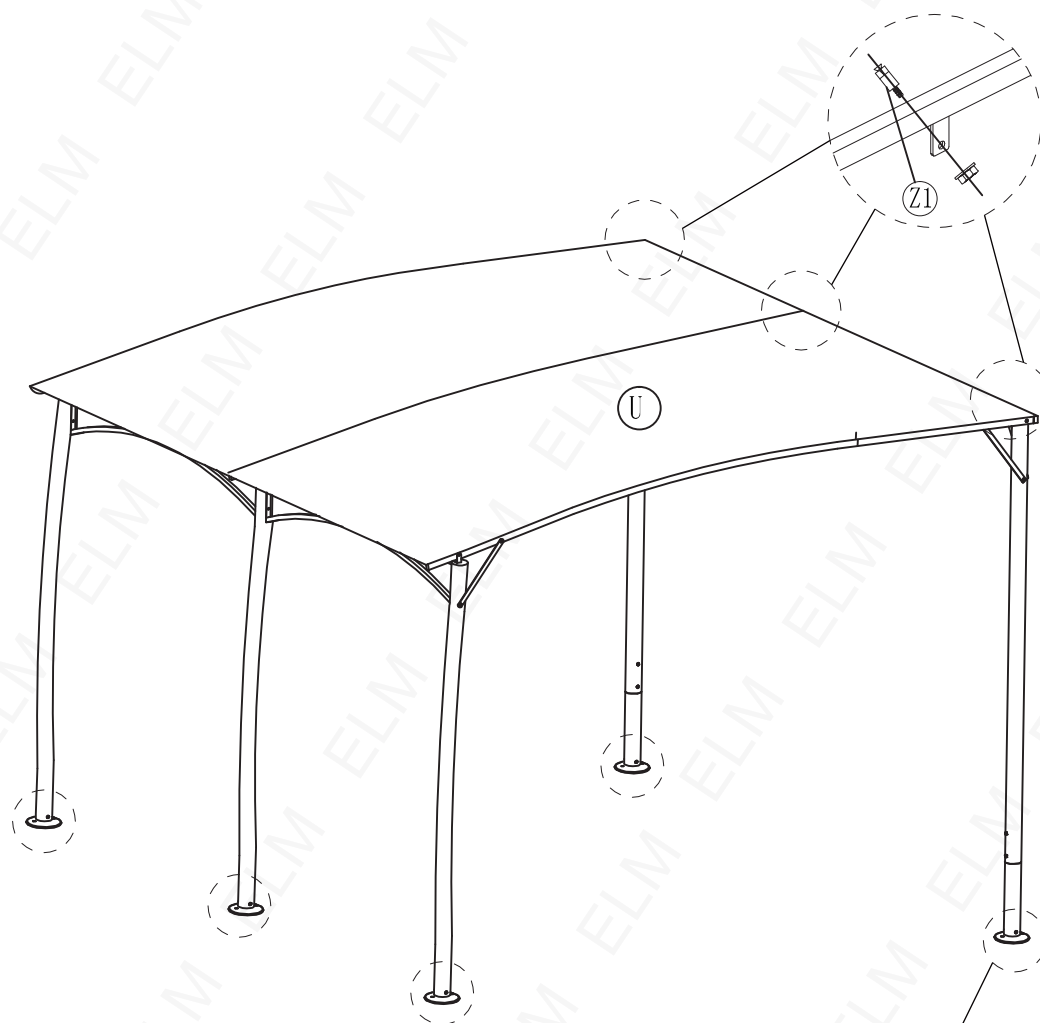
STEP 7

Assemble the frame K with bolt W and nut Z, insert the frame L.



STEP 8

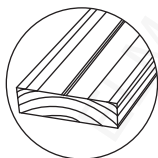
Connect the patio canopy with the wall by the expansion screw Z1.



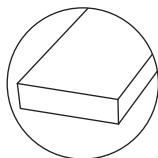
Fix the gazebo to the ground with part Y when on the grass, use screw Z3 when on the wooden floor, use expansion screw Z2 when on the cement.



Grass



Wooden floor



Cement

