

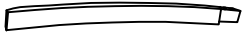
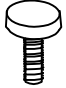
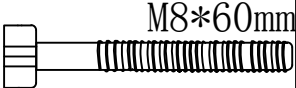

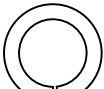

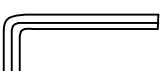
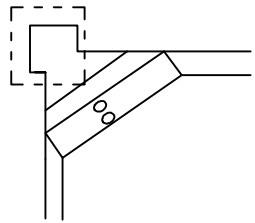


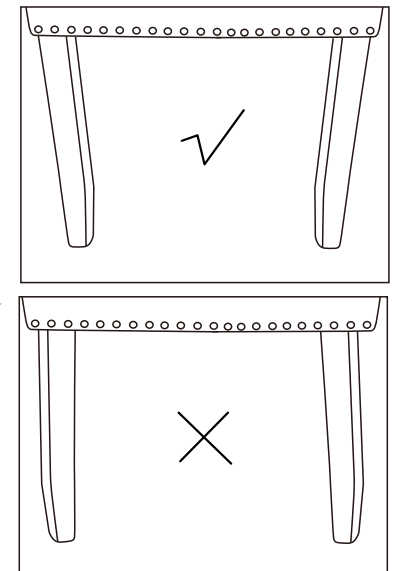
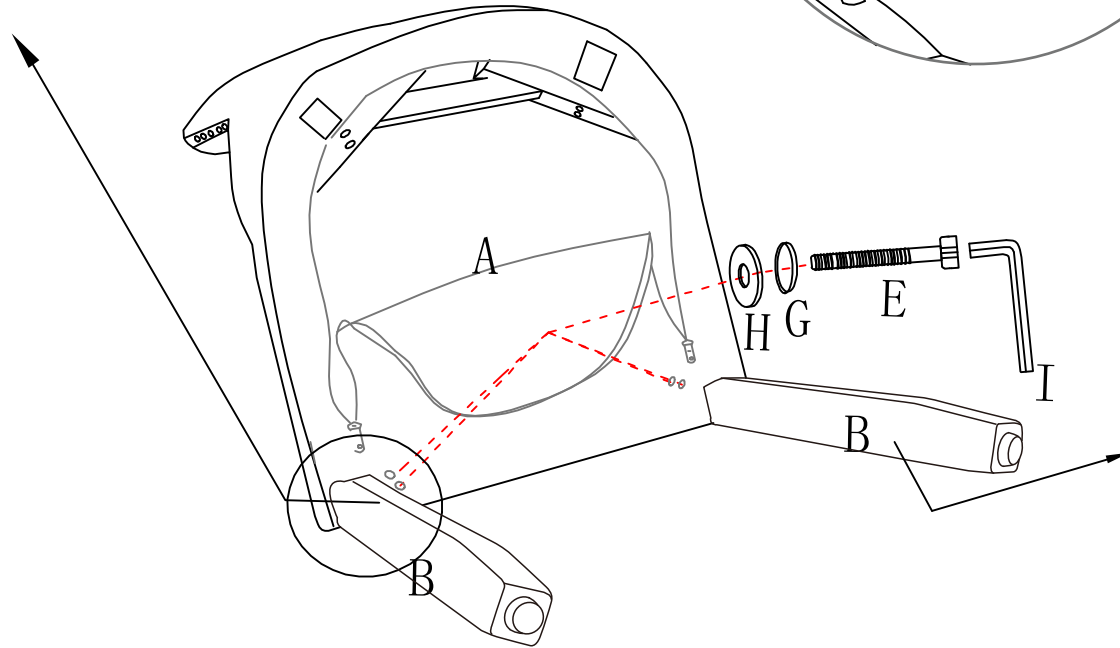
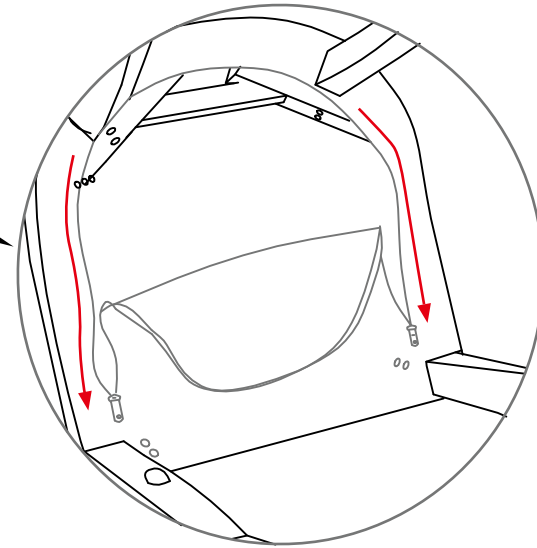
ASSEMBLY INSTRUCTIONS

Ax1	
	Seat
Bx2	
	Front leg
Cx2	
	Rear leg
Dx2	
	Adjust cap
Ex4	 M8*60mm
	Screw
Fx4	 M8*50mm
	Screw
Gx8	 M8
	Spring washer
Hx8	 M8*22mm
	Flat washer
Ix1	 M8
	Allen key

① The legs are hidden under the seat frame



Put the front leg in the dotted box place, if you put it in the wrong place, it still can work, but the uneven force will cause the leg to break.

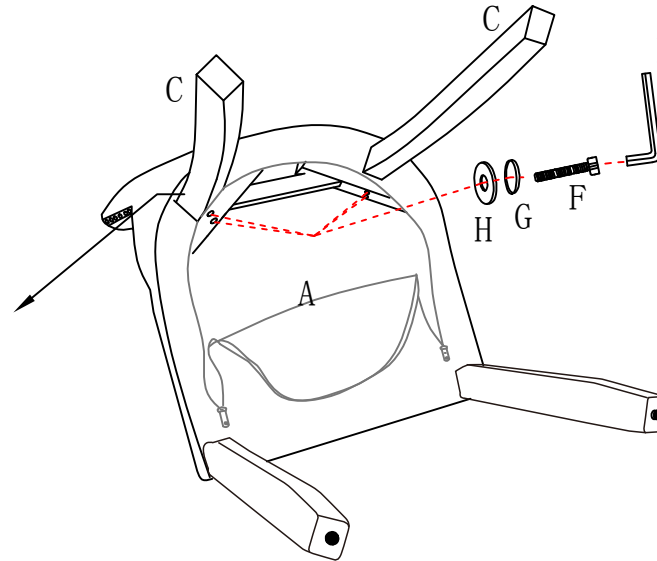
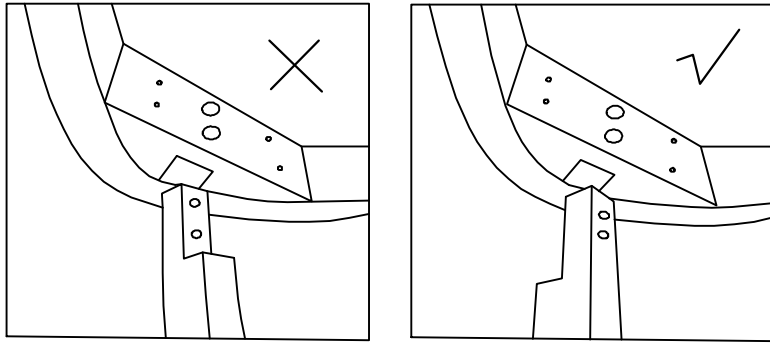


Tighten all the screws to 80% of maximum tightness

WARNING:

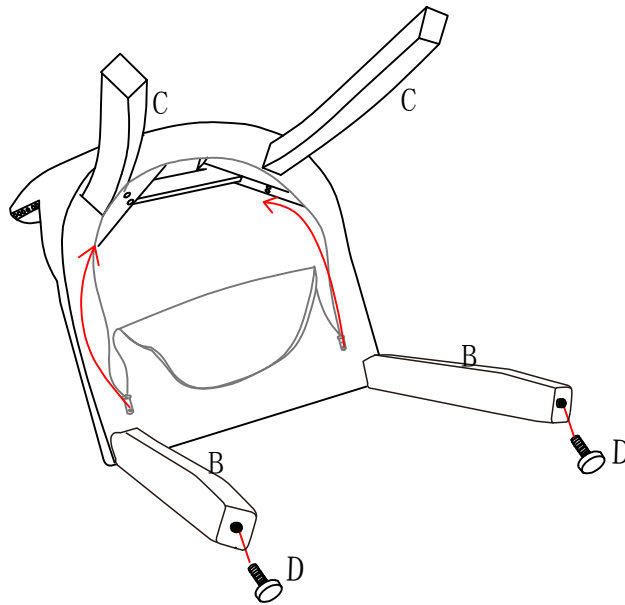
DO NOT STAND ON THE PRODUCT, DO NOT USE THIS PRODUCT AS A STEP LADDER.
DO NOT USE THIS PRODUCT UNLESS ALL BOLTS, SCREWS AND KNOBS ARE FIRMLY SECURED.
PLEASE DO NOT USE KNIFE TO OPEN ANY PARTS OF THE BOX OR PRODUCT.

②



Tighten all the screws to 80% of maximum tightness

③



1. screw D into front legs.

2. Carefully sit on the chair and make adjustments to ensure the legs are flat even on the floor.

3. Tighten all the screws to 100% of maximum tightness

4. Close the zipper of bottom Non-Woven fabric.

④

There are 2 small adjusters on the front legs, ensure these are adjusted so the chair sits level.

