


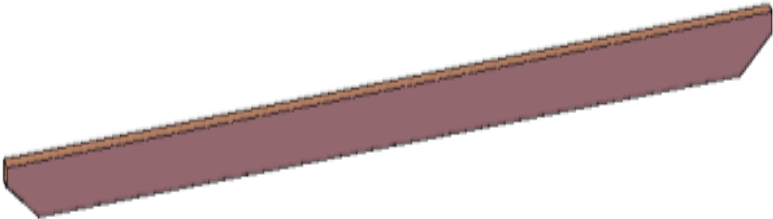



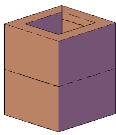

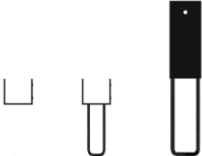


# BEST REDWOOD



Assembly instructions for:  
**BEST REDWOOD  
PERGOLAS**

## Box Contains

QUANTITY	DESCRIPTION	DRAWING
4 (depending on size)	<b>Posts</b>	
4	<b>Dual Support Beams (D.S.B.)</b>	
Quantity will vary depending on size	<b>Rafters</b>	
Quantity will vary depending on size	<b>Roof Slats</b>	
4 - 8 (depending on size)	Main Knee Braces (strengthen union between posts and dual support beams)	
4 (if you ordered)	Trim pieces for bottom of posts	
Quantity will vary depending on size	Hardware: Bolts and deck screws	 <div style="display: flex; justify-content: space-between; width: 100%;"> <span>Deck Screws</span> <span>Bolts, washers and nuts</span> </div>
4 (if you ordered)	Anchors (U brackets, Gale Wind or hurricane anchors)	 <div style="display: flex; justify-content: space-between; width: 100%;"> <span>U brackets anchors</span> <span>Gale Wind      Hurricane</span> </div>

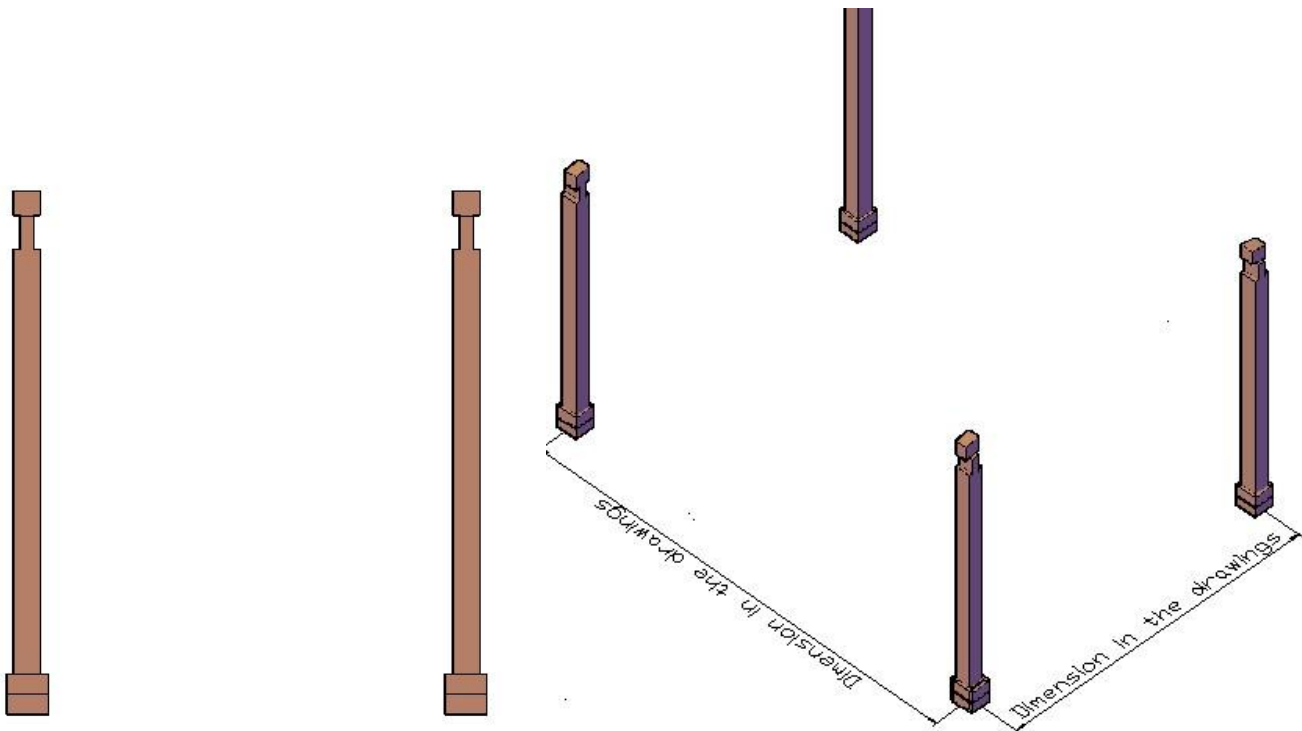
**Tools needed.-** ¾ Wrench and Power drill with **long** cross head.

## ASSEMBLY INSTRUCTIONS

All Pergolas are completely erected in the shop prior to crating for shipping. All hardware is included. All parts are fully sanded, routed, notched, drilled and numbered for ease of reassembly. The parts that go together have the same numbers/letters written next to the predrilled holes they attach to.

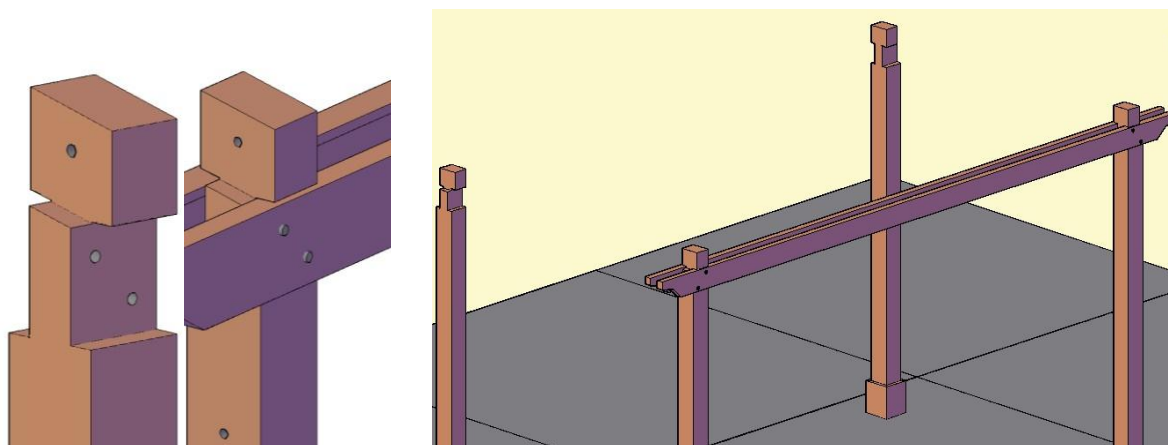
All Pergola rafters are notched into the part they connect to. You'll find the numbers next to the notches and/or drill holes. Before beginning re-assembly, place the parts that go together on the ground with one another so you don't have to be searching around in the middle of the reassembly. Most pergolas take less than one day to reassemble with one helper. Very large pergolas (6 posts or larger) usually require a second day to finish up.

**Step 1.** Attach the post to the ground. There are different ways to do it.



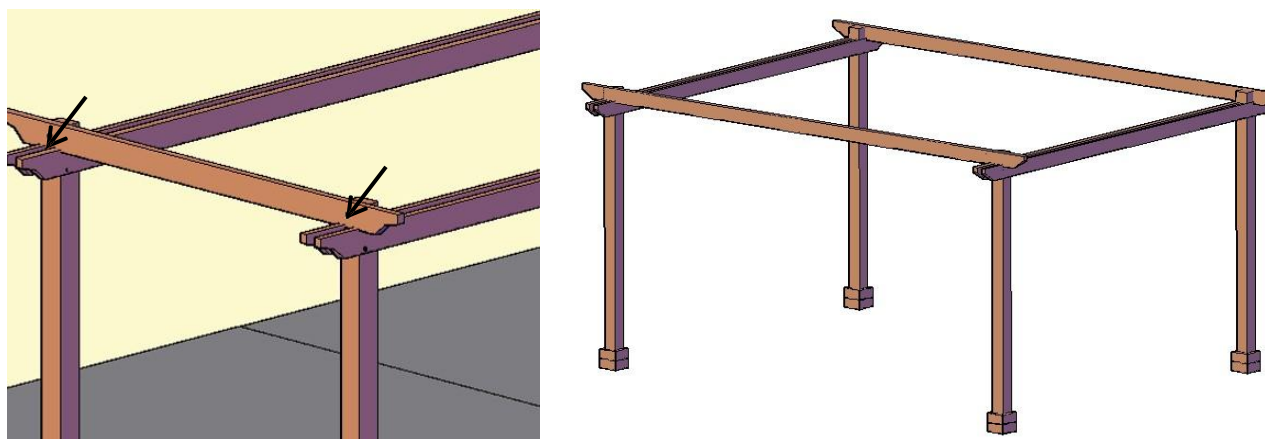
**Step 2.** Attach dual support beam to posts with four bolts (7" x 5/16") washers & nuts. (Match numbers). Tap the bolt all the way into the wood to set it, then add a washer and nut and lightly tighten.

*Repeat this step with the other dual support beam.*

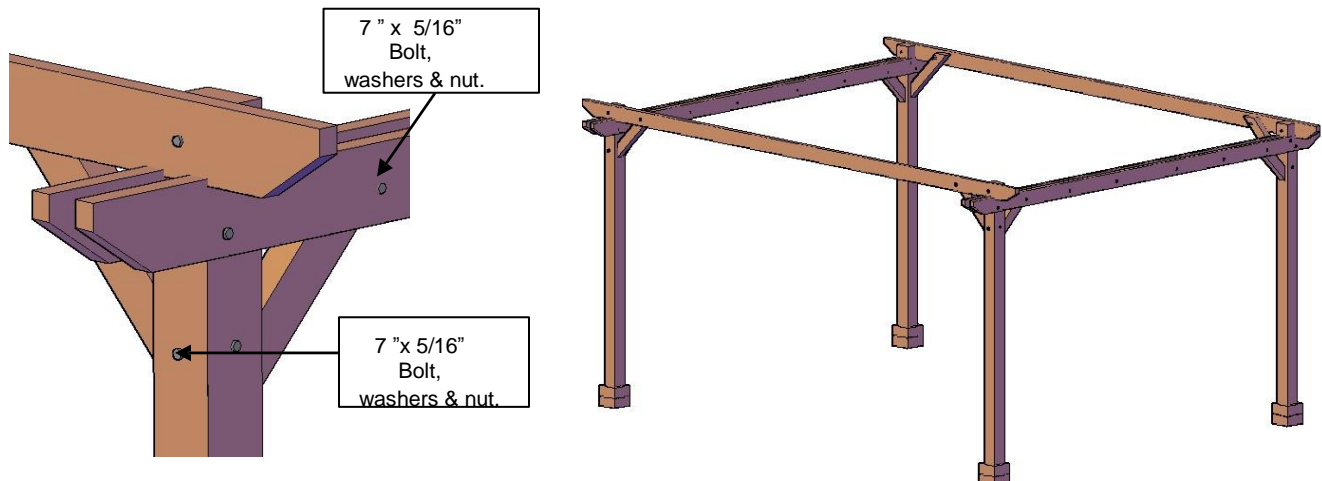


**Step 3.** Attach corner rafter to posts with one bolt per post (7" x 5/16") washers & nuts. (Match numbers). Tap the bolt all the way into the wood to set it, then add a washer and nut and lightly tighten.

*Repeat this step in the other side (Rafter and Posts).*

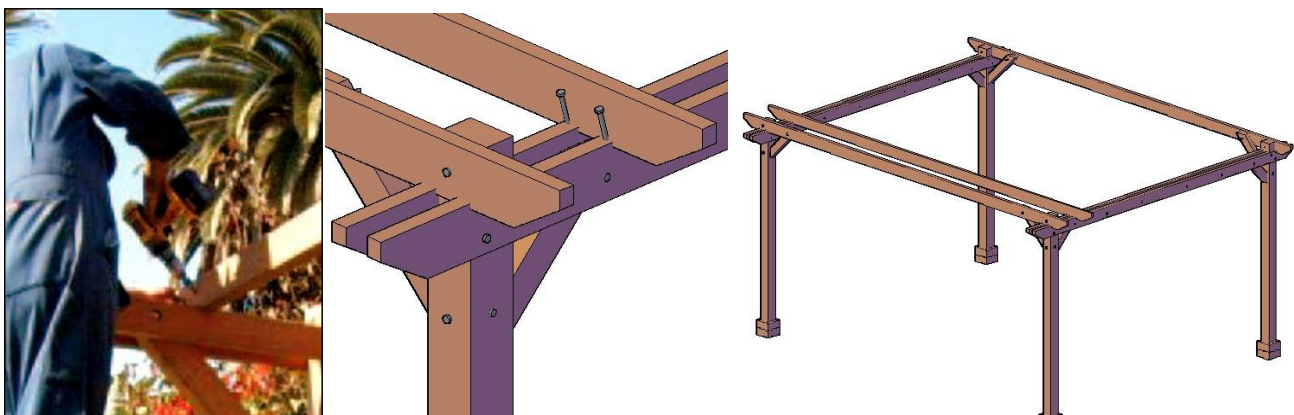


**Step 4.** Attach main knee brace to post & dual support beam with two bolts, washers & nuts. (Match numbers). Tap the bolt all the way into the wood to set it, then add a washer and nut and lightly tighten. Repeat this step with the other main knee braces.

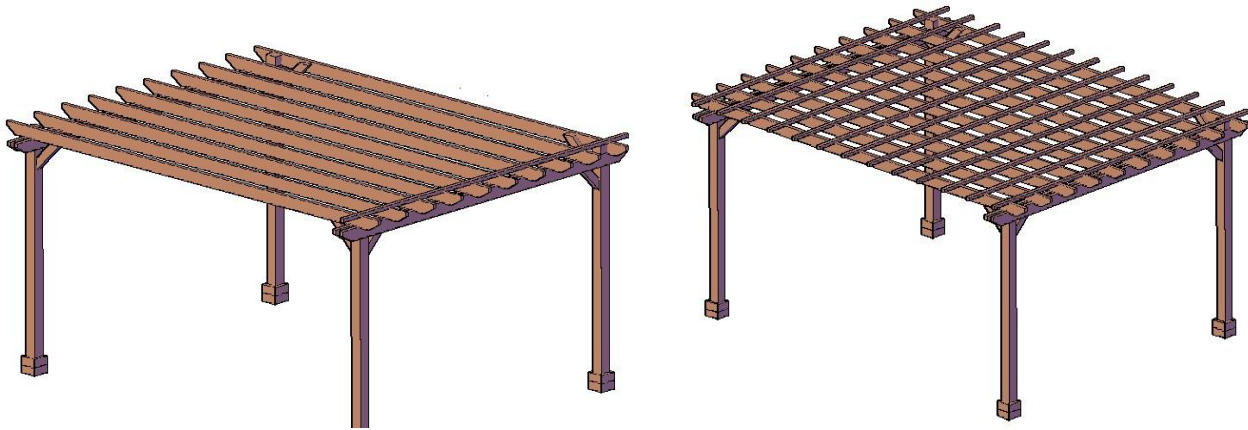


## PERGOLA WITH RAFTERS AND SLATS

**Step 5.** Attach rafters to dual support beams with galvanized deck screws (2 ½ ") at 45 degree angles to attach to the dual support beams. There are 4 screws used per rafter (1 per dual support beam). Make sure each rafter's notches are snugly into the dual support beams before adding the deck screws. The dual support beams have lines marking the exact spot to attach the rafter. Just make sure to stay to the markings on the dual support beams to keep the spacing exactly the same. Start at one end and attach one rafter at a time from both sides and on both ends before moving to the next rafter. *And repeat the process in all Rafters.*



**Step 6.** Attach roof slats to rafters with deck screws (2 ½ "). The roof slats are all marked with ink as well as a predrilled hole to use wood screws. The rafter tops are marked in ink with 2 lines. Place one roof slat into the lines on one end and begin to attach. *And repeat the process in all roof slats.*



Thank you. If you have any questions, please call or email us.