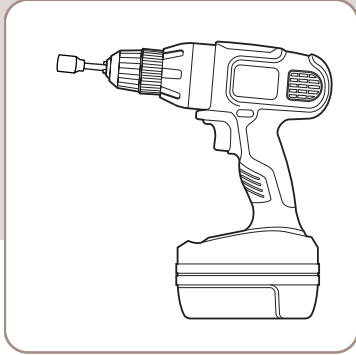




# *Pergola Instructions*

*Also find Installation  
Instructions at  
[bjornwoodworks.com/  
instructions](http://bjornwoodworks.com/instructions)*

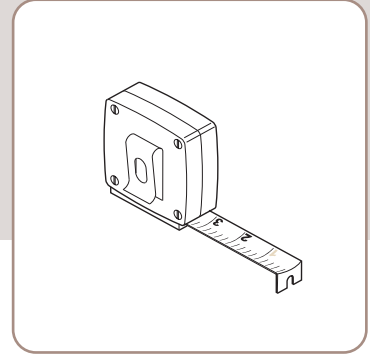




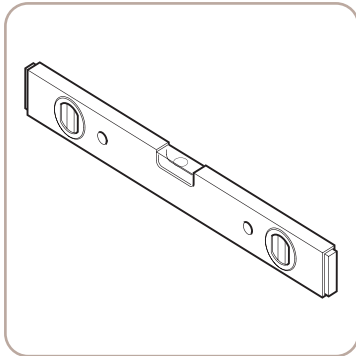
Drill with 1/2" Socket Bit



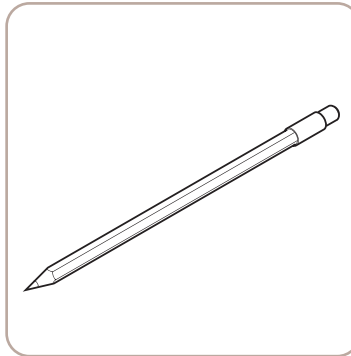
1/8" Wood Drill Bit



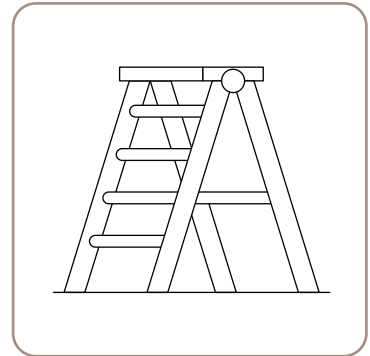
Tape Measure



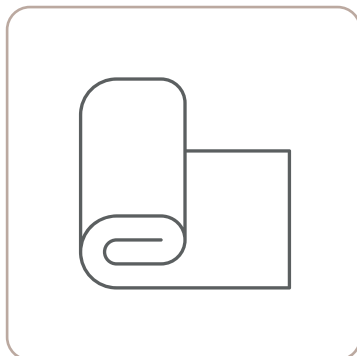
Level



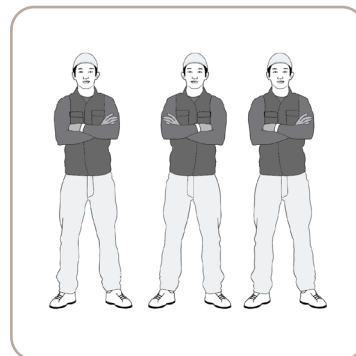
Pencil



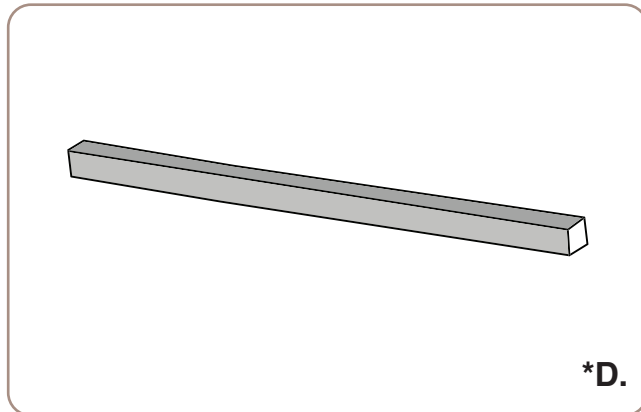
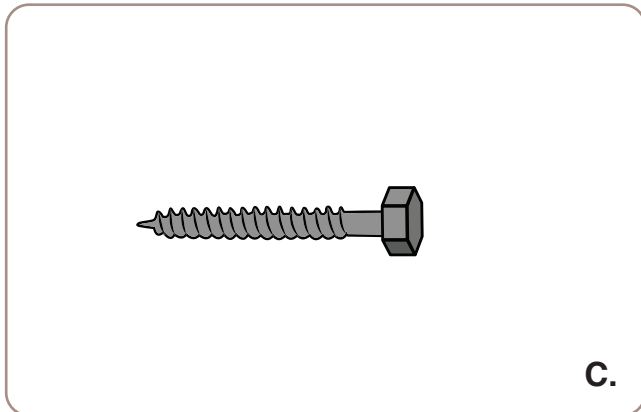
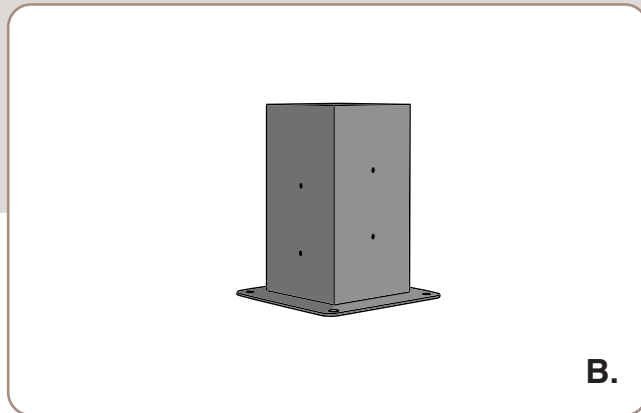
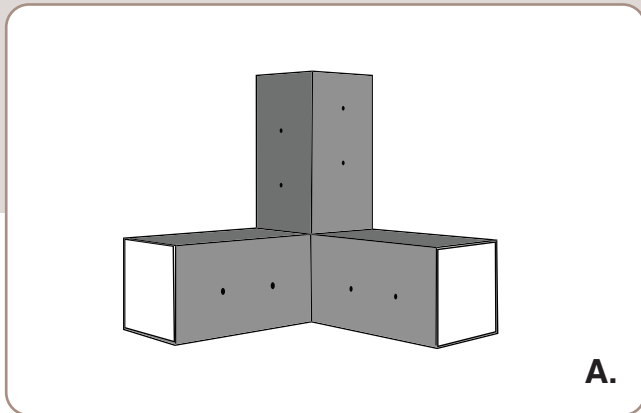
Step Ladder



Tarp or Rug



Three People



**PARTS**

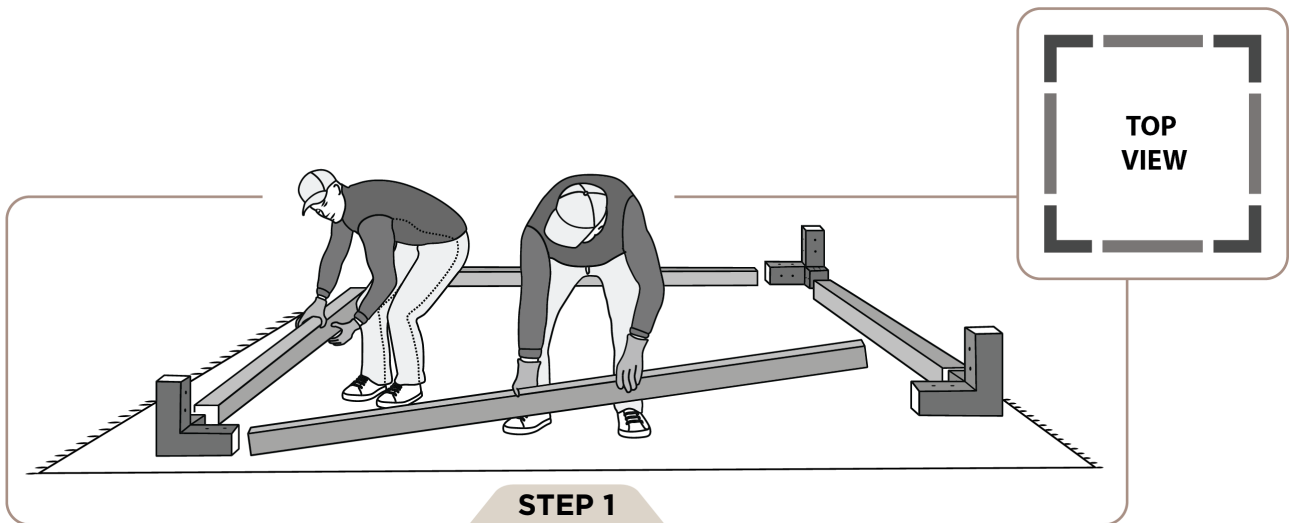
- A. Shoulder Bracket
- B. Boot
- C. Hex Head Lag Bolt 2"

D. 4x4 Lumber

\* Not Included (must be purchased separately)

**NOTE**

Get lumber at your local hardware store. For recommendations on installations involving brick or stone, see the end of this installation guide.



**STEP 1**

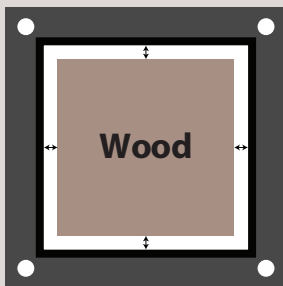
Lay out the rug or tarp so you don't scratch or mar your parts. Then place your parts as shown in the Top View. Make sure that the shoulder bracket is oriented correctly, the leg with the back stop should be facing up.



**STEP 2**

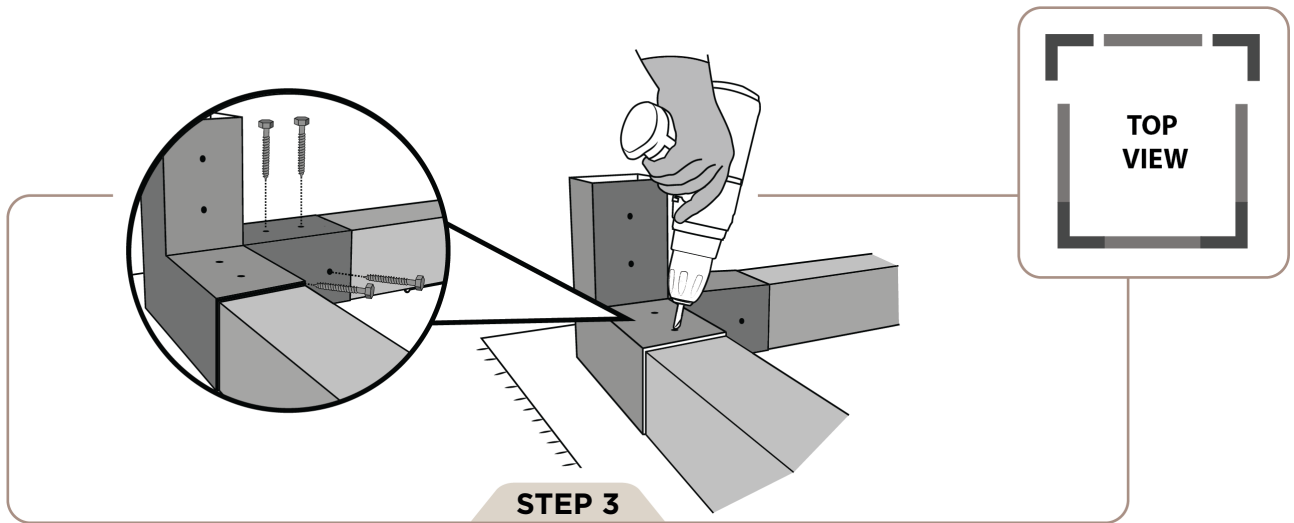
Using a pencil, mark each piece of wood 6 inches in from the end. Slide each piece of wood into corner brackets where you marked the line as show in the Top View.

**NOTE**



You will notice the lumber is not a tight fit, this is intentional do to the fact that wood is not perfect. Wood will expand, contract and may come slightly twisted, the extra space will help in installation and overall life of the wood.

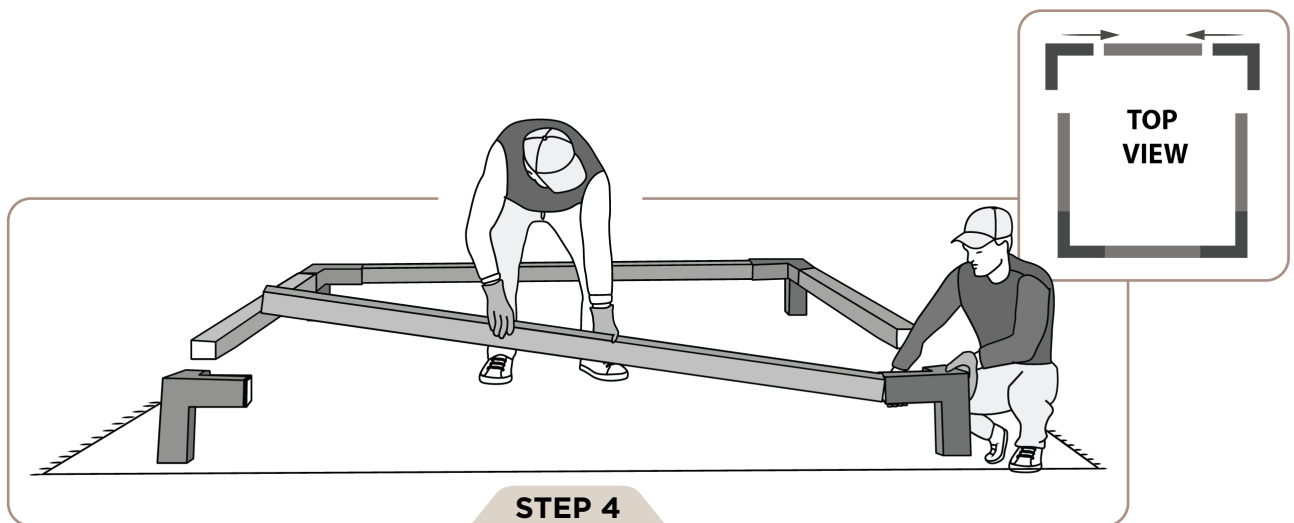
Keep wood centred in all brackets while tightening lag bolts.



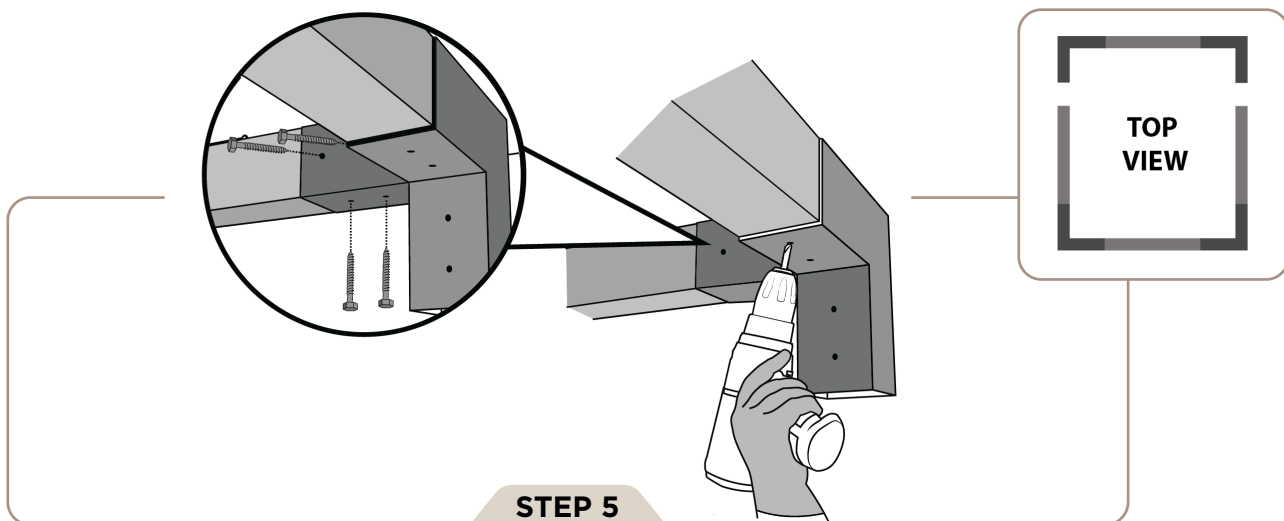
Using your drill and 1/8 inch bit, pre-drill the holes and then screw in lag bolts using a 1/2 in socket wrench or socket drill bit.

**SUGGESTION**

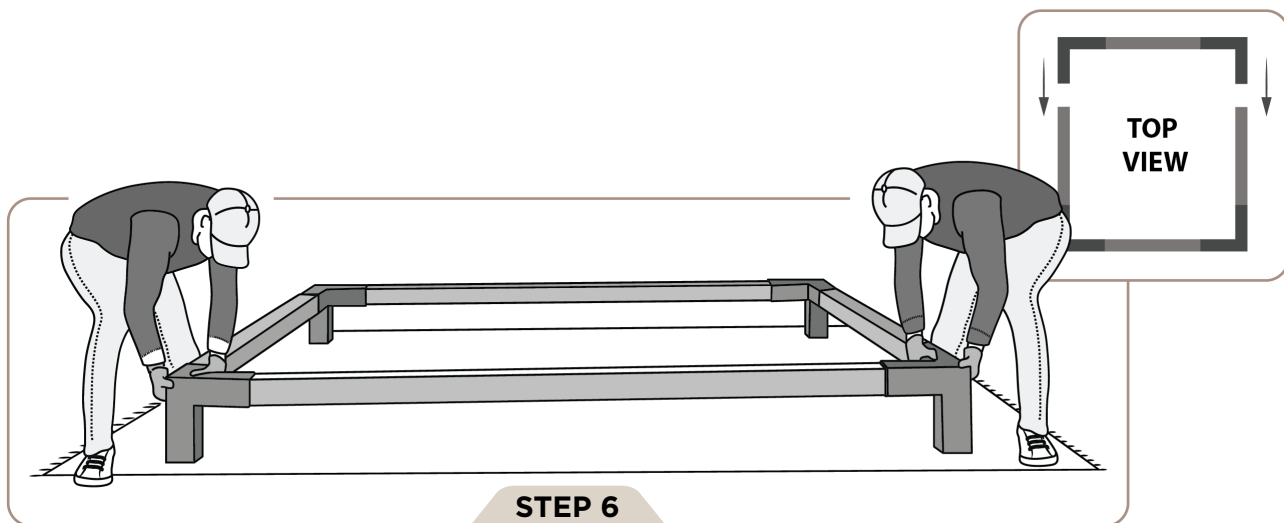
Please flip all pieces over for next steps.



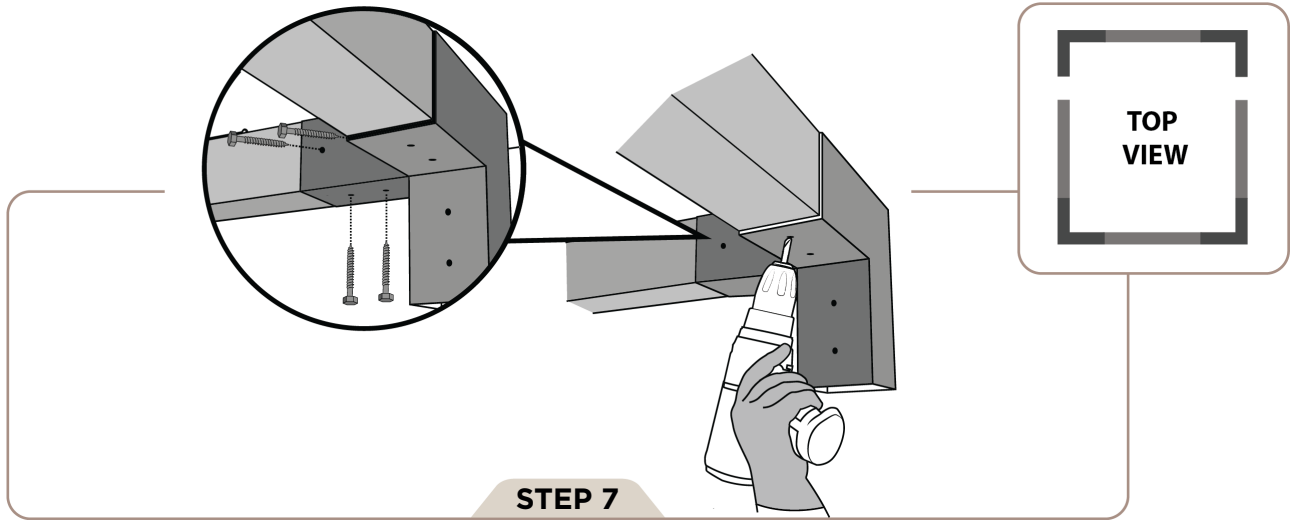
Slide remaining pieces of wood into the remaining corner bracket and repeat step 1.3 above to secure corner pieces.



Using your drill and 1/8 inch bit, pre-drill the holes and then screw in lag bolts using a 1/2 in socket wrench or socket drill bit.

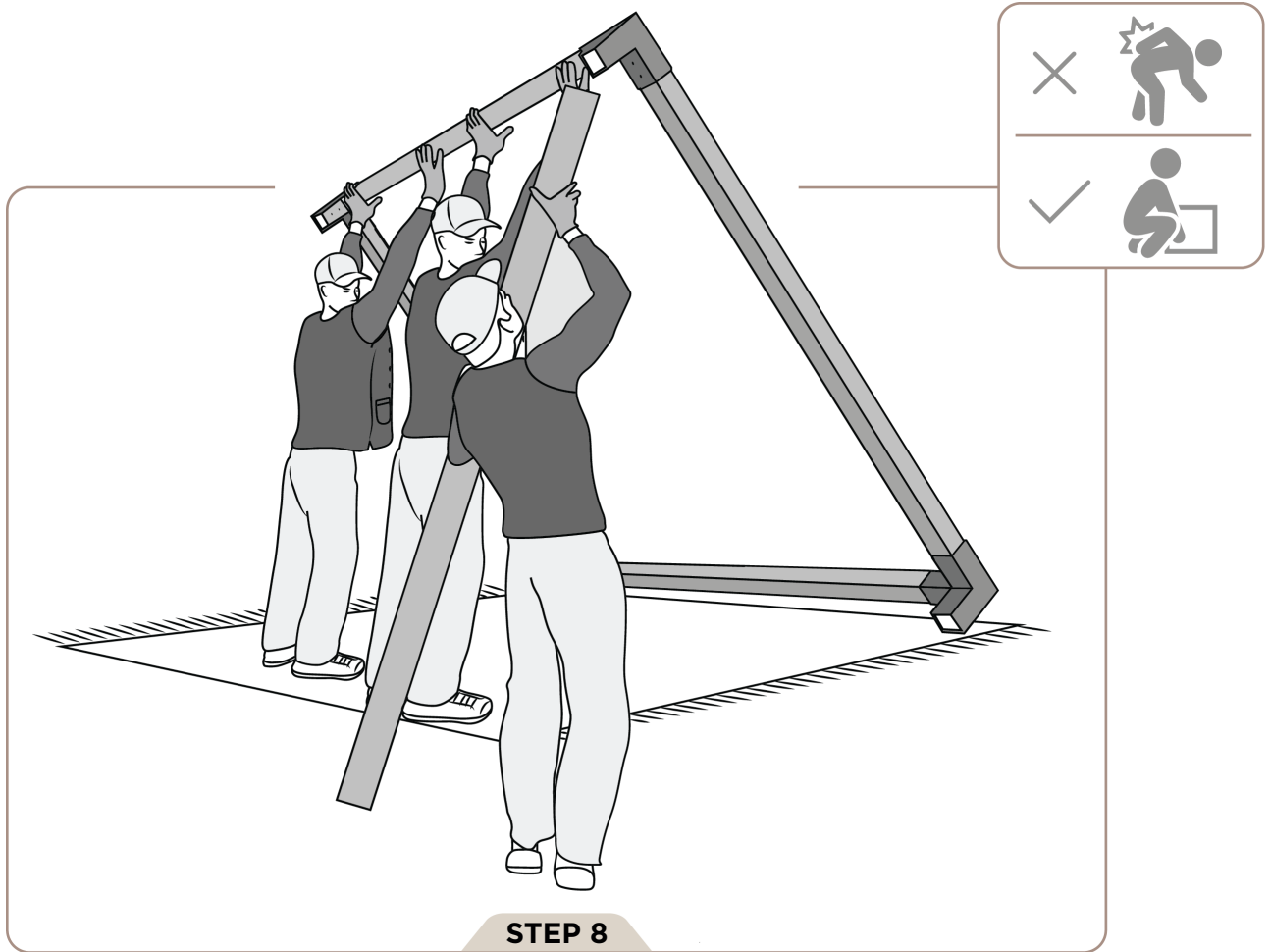


Fit two pieces together



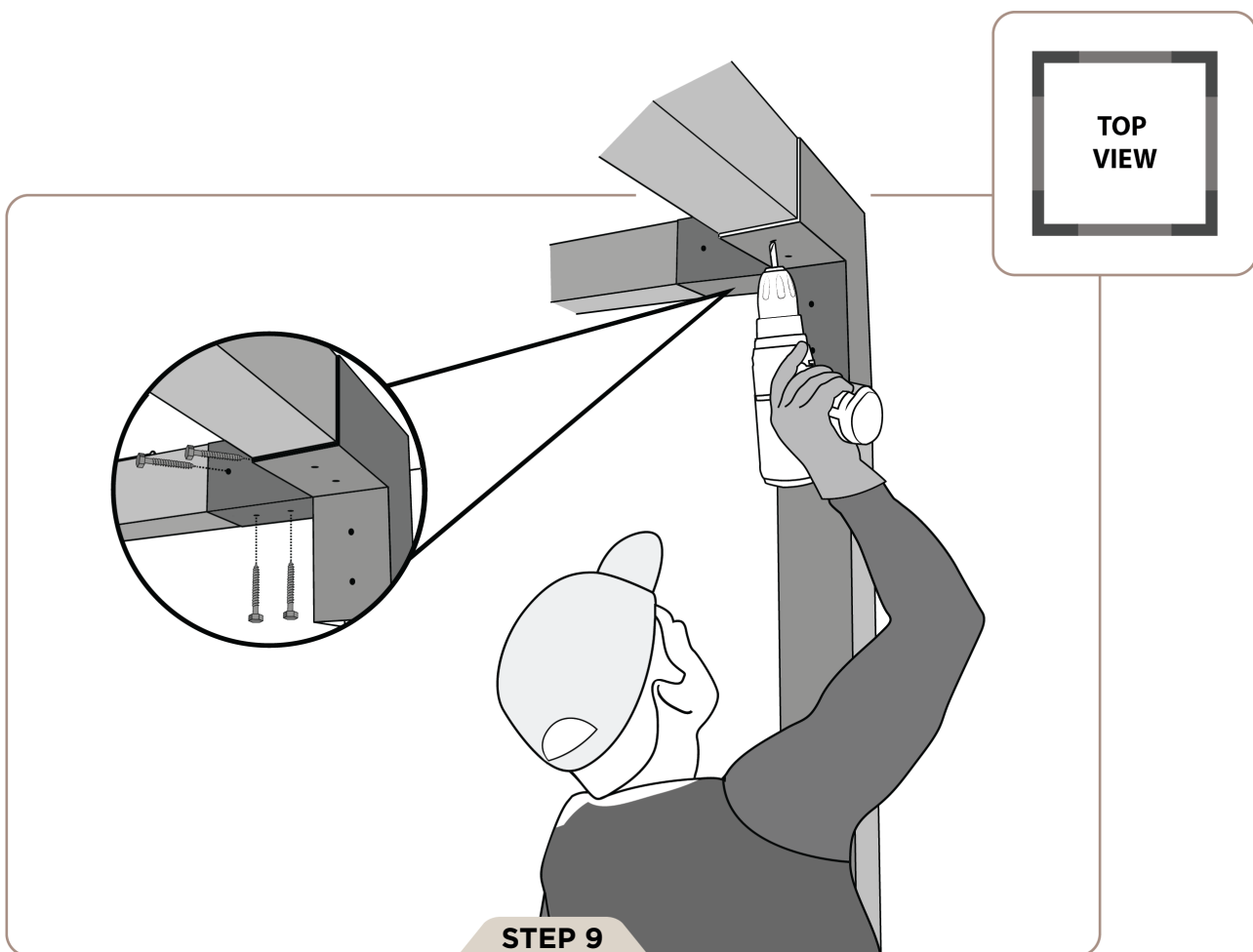
**STEP 7**

Using your drill and 1/8 inch bit, pre-drill the holes and then screw in lag bolts using a 1/2 in socket wrench or socket drill bit.



**STEP 8**

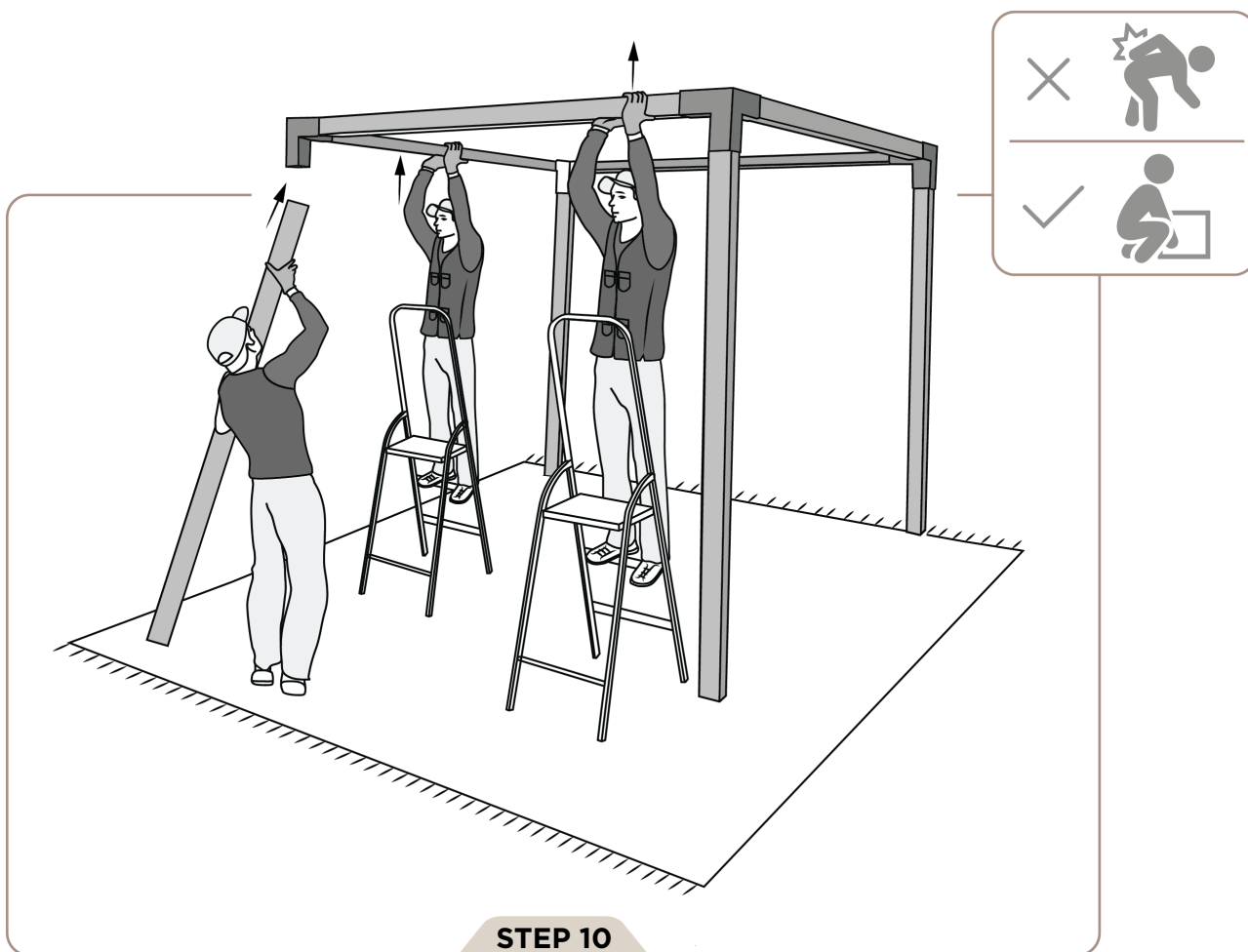
With the help of two other people raise one side of the roof as shown in step 2.1. Then insert the first leg into corner bracket. Install both legs on this side while propped up.



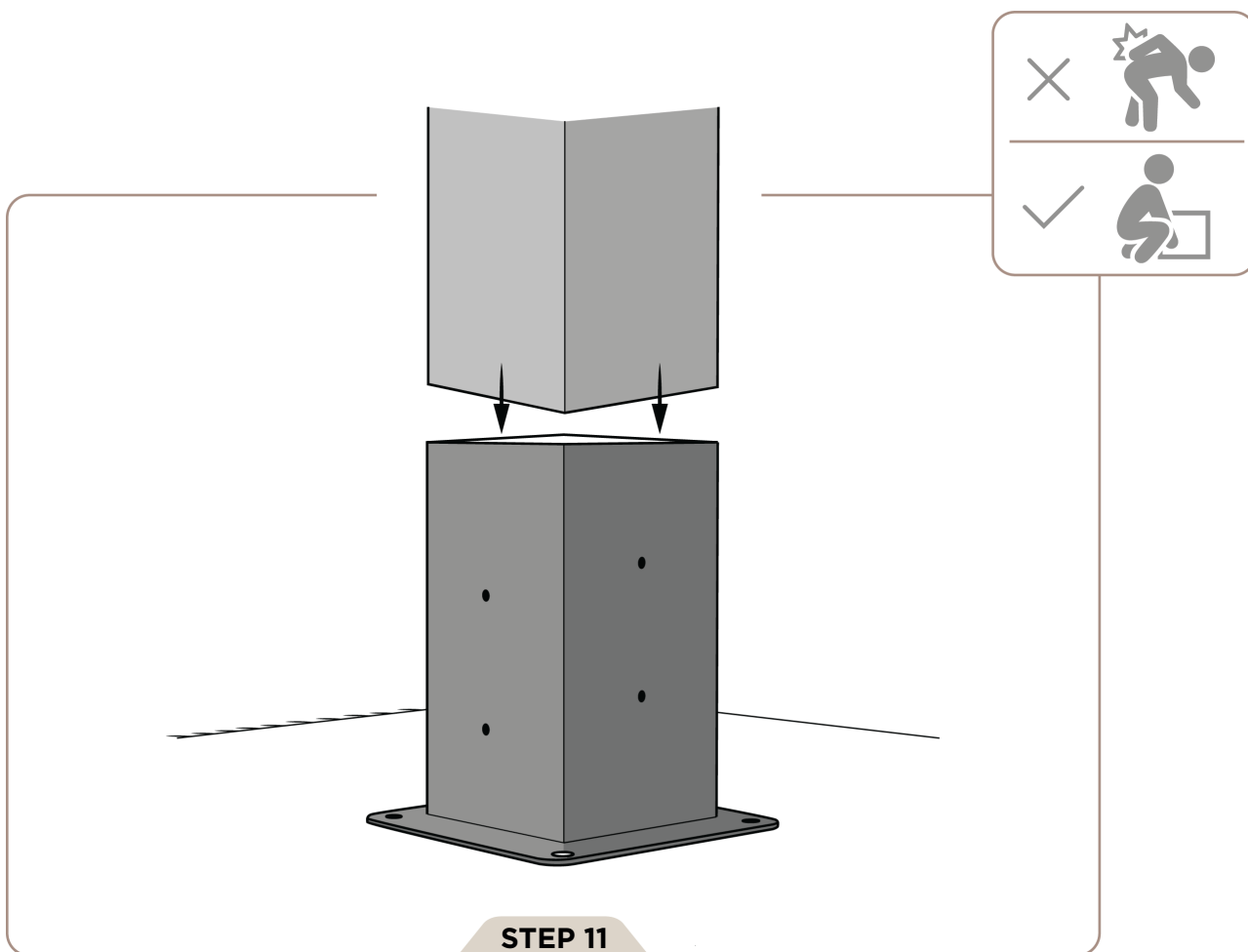
**STEP 9**

Using your drill and 1/8 inch bit, pre-drill the holes and then screw in lag bolts using a 1/2 in socket wrench or socket drill bit.

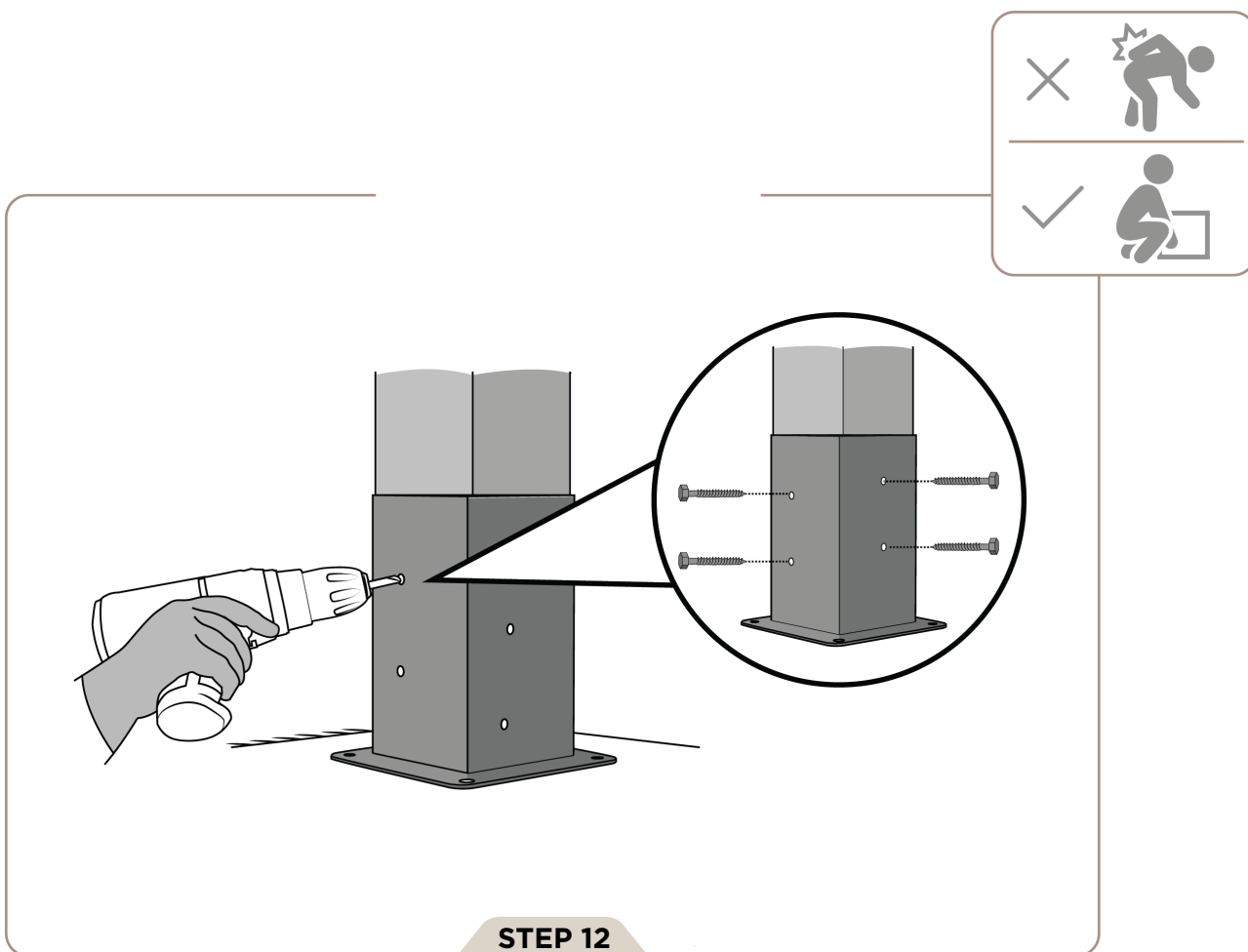




Install remaining leg and secure with lag bolts.

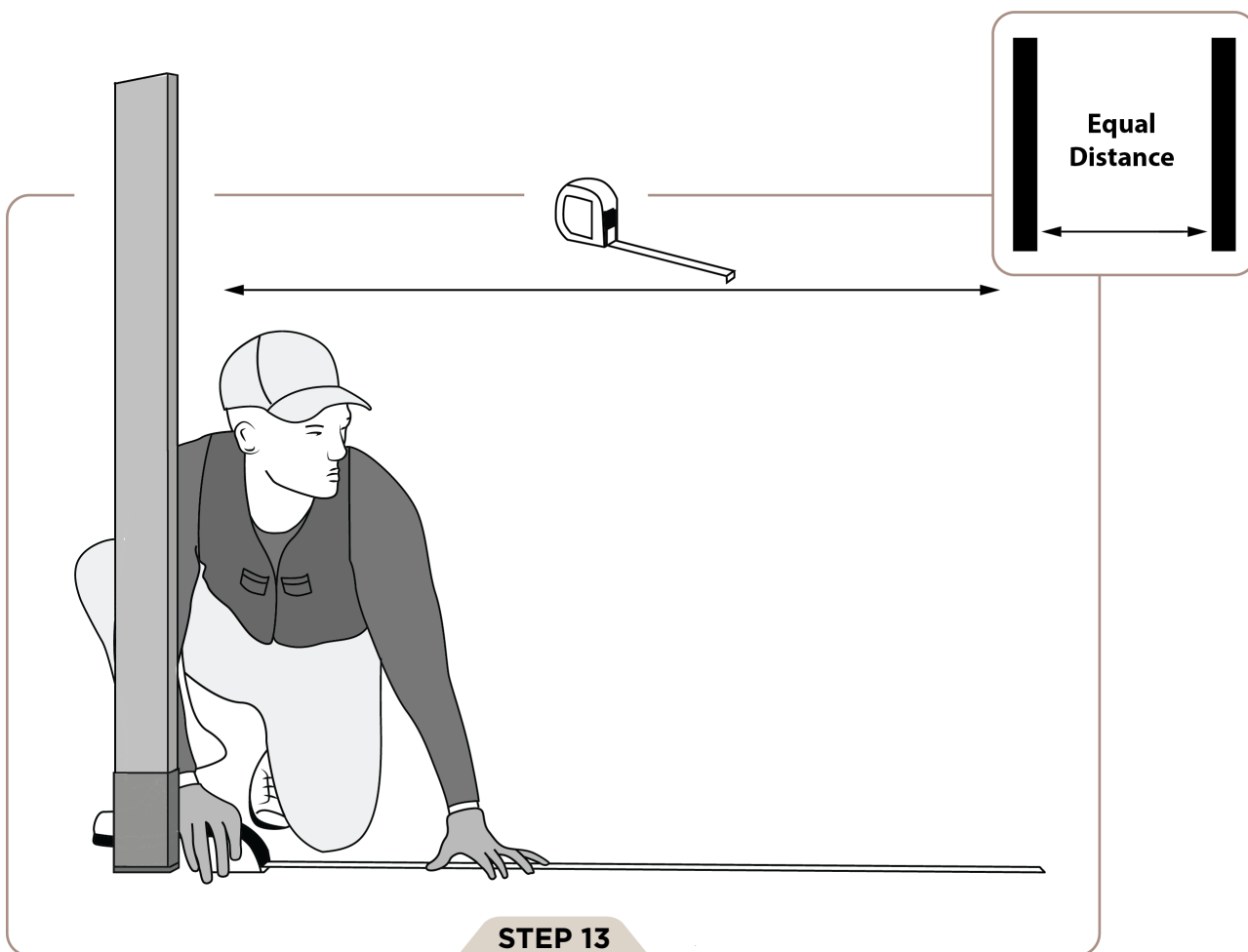


With help, raise each leg and slide into the boot bracket.

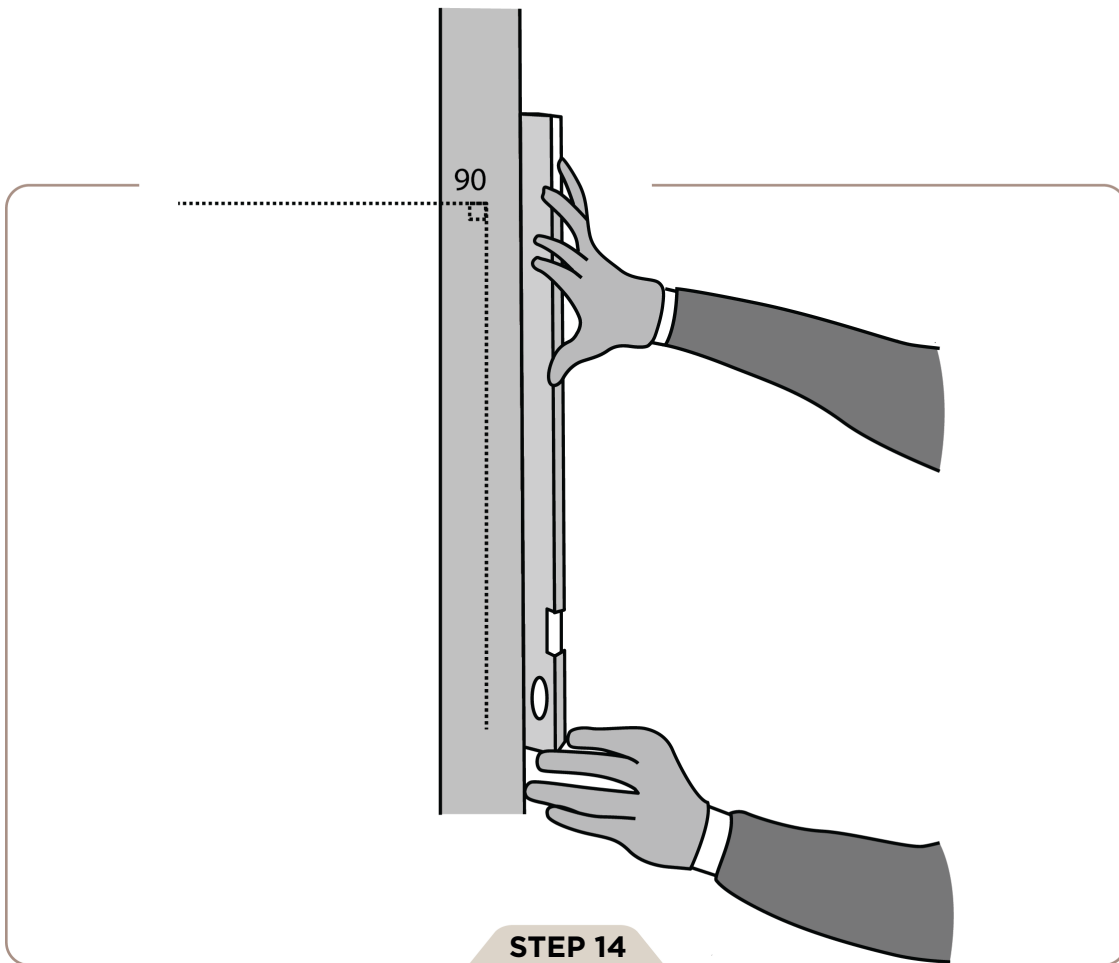


**STEP 12**

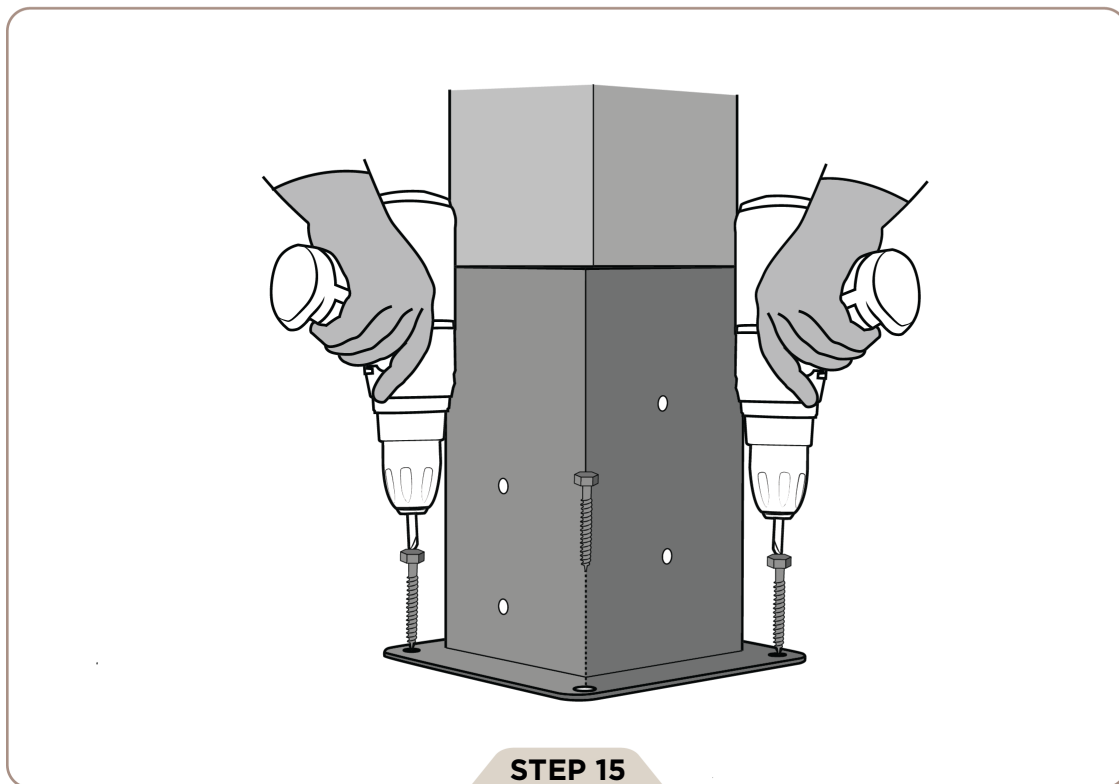
Using your drill and 1/8 inch bit, pre-drill the holes and then screw in lag bolts using a 1/2 in socket wrench or socket drill bit.



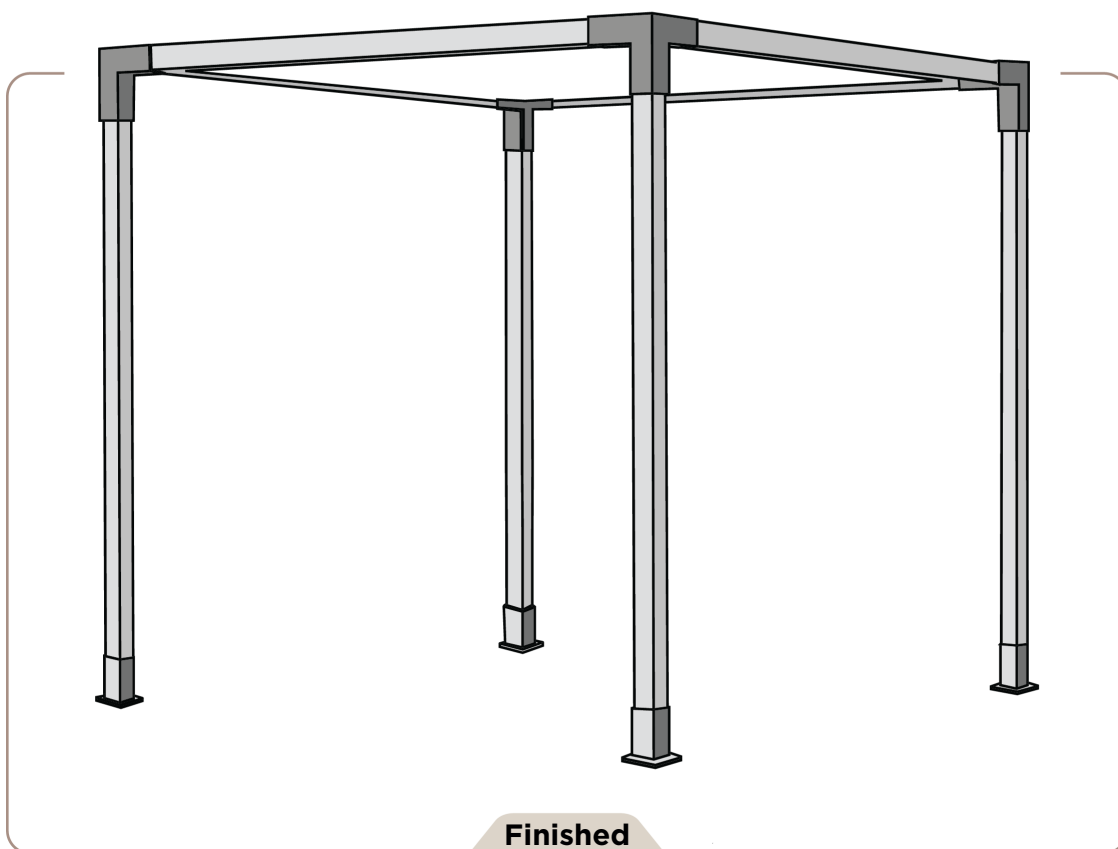
Make sure that your legs measure equal distance apart in preparation for securing to the ground.



Make sure legs are level and at a 90° angle using a level.

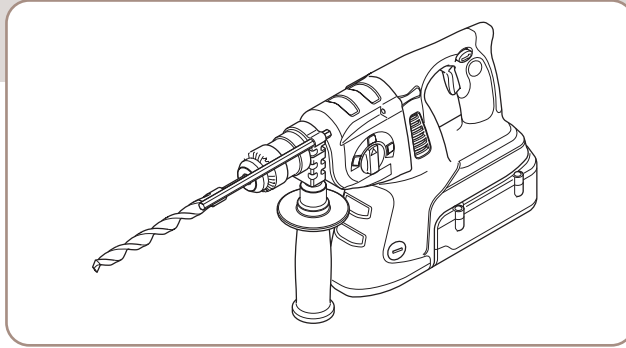


Secure boot bracket to ground using concrete, brick, stone, or wood bolts and adapters (not included in kit).



You are now ready to enjoy your new Bjorn Outdoor Pergola kit, now get out and enjoy outdoor living.

Installation on a concrete, brick or stone will require additional tools and hardware. For example, drill bits for drilling into stone and mortar are different from standard drill bits, and you may need a heavy duty drill:



**Masonry Drill**

Consult with a local hardware store for the correct hardware and equipment to use.







Follow us on social media  
for inspiration



[support@bjornwoodworks.com](mailto:support@bjornwoodworks.com)