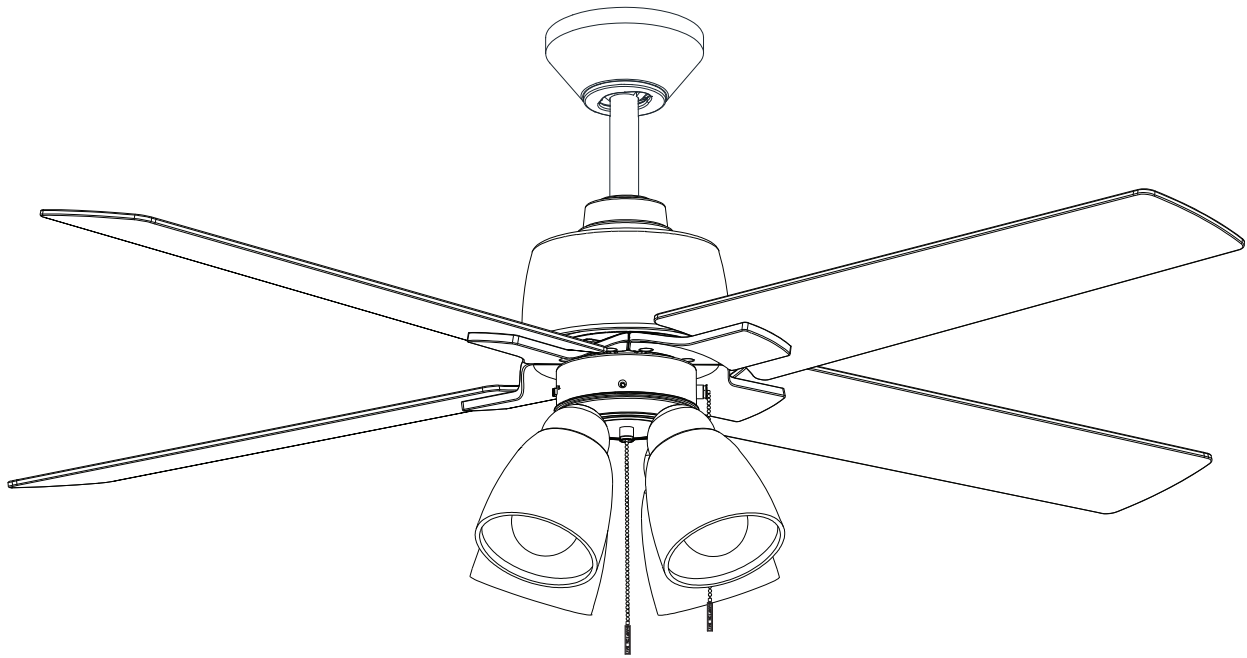


HAMPTON BAY[®]

USE AND CARE GUIDE

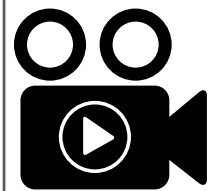
MALONE 54-INCH CEILING FAN



Questions, problems, missing parts? Before returning to the store,
call Hampton Bay Customer Service
8 a.m. - 7 p.m., EST, Monday-Friday, 9 a.m. - 6 p.m., EST, Saturday

1-855-HD-HAMPTON

HAMPTONBAY.COM



To view an instructional video on how to install this product:

1. Go to www.homedepot.com and enter either the Item or Model number, found in the top right corner of the cover of this instruction manual, in the search field.
2. Click on your product from the list of search results and click on the video link in the "Product Overview" section.

THANK YOU

We appreciate the trust and confidence you have placed in Hampton Bay through the purchase of this ceiling fan. We strive to continually create quality products designed to enhance your home. Visit us online to see our full line of products available for your home improvement needs.

Thank you for choosing Hampton Bay!

Table of Contents

Table of Contents	2	Assembly	7
Safety Information	2	Operation	12
Warranty	3	Care and Cleaning	13
Pre-Installation	3	Troubleshooting	13
Installation.....	6		

Safety Information

READ AND SAVE THESE INSTRUCTIONS

1. To reduce the risk of electric shock, ensure the electricity has been turned off at the circuit breaker or fuse box before you begin.
2. All wiring must be in accordance with the National Electrical Code ANSI/NFPA 70 and local electrical codes. Electrical installation should be performed by a qualified licensed electrician.
3. The outlet box and support structure must be securely mounted and capable of reliably supporting 35 lbs. (15.9 kg). Use only UL Listed outlet boxes marked "Acceptable for Fan Support of 35 lbs. (15.9 kg) or less."
4. The fan must be mounted with a minimum of 7 ft. (2.1 m) clearance from the trailing edge of the blades to the floor.
5. Do not operate the reversing switch while the fan blades are in motion. You must turn the fan off and stop the blades before you reverse the blade direction.
6. Do not place objects in the path of the blades.
7. To avoid personal injury or damage to the fan and other items, use caution when working around or cleaning the fan.
8. Electrical diagrams are for reference only. Light kits that are not packed with the fan must be UL-listed and marked suitable for use with the model fan you are installing. Switches must be UL General Use Switches. Refer to the instructions packaged with the light kits and switches for proper assembly.
9. After making electrical connections, spliced conductors should be turned upward and pushed carefully up into the outlet box. The wires should be spread apart with the grounded conductor and the equipment-grounding conductor on one side of the outlet box.
10. All setscrews must be checked and retightened where necessary before installation.



WARNING: To reduce the risk of personal injury, do not bend the blade brackets (also referred to as flanges) during assembly or after installation. Do not insert objects in the path of the blades.



WARNING: Remove the rubber motor stops on the bottom of the fan before installing the blades or testing the motor.



WARNING: To reduce the risk of fire or electric shock, do not use this fan with any solid-state speed control device.



WARNING: To avoid possible electrical shock, turn the electricity off at the main fuse box before wiring. If you feel you do not have enough electrical wiring knowledge or experience, contact a licensed electrician.



WARNING: Electrical diagrams are for reference only. Optional use of any light kit shall be UL-listed and marked suitable for use with this fan.



WARNING: To reduce the risk of fire, electric shock, or personal injury, mount to outlet box marked "Acceptable for fan support of 35 lbs. (15.9 kg) or less," and use the screws provided with the outlet box.

Warranty

The supplier warrants the fan motor to be free from defects in workmanship and material present at time of shipment from the factory for a lifetime after the date of purchase by the original purchaser. The supplier warrants that the light kit, excluding any glass, to be free from defects in workmanship and material at the time of shipment from the factory for a period of three years after the date of purchase by the original purchaser. The supplier also warrants that all other fan parts, excluding any glass or acrylic blades, to be free from defects in workmanship and material at the time of shipment from the factory for a period of one year after the date of purchase by the original purchaser. We agree to correct such defects without charge or at our option replace with a comparable or superior model if the product is returned. To obtain warranty service, you must present a copy of the receipt as proof of purchase. All costs of removing and reinstalling the product are your responsibility. Damage to any part, such as by accident, misuse, improper installation, or by affixing any accessories, is not covered by this warranty. Because of varying climatic conditions this warranty does not cover any changes in brass finish, including rusting, pitting, corroding, tarnishing, or peeling. Brass finishes of this type give their longest useful life when protected from varying weather conditions. A certain amount of “wobble” is normal and should not be considered a defect. Servicing performed by unauthorized persons shall render the warranty invalid. There is no other express warranty. Interline hereby disclaims any and all warranties, including but not limited to those of merchantability and fitness for a particular purpose to the extent permitted by law. The duration of any implied warranty, which cannot be disclaimed, is limited to the time period as specified in the express warranty. Some states do not allow a limitation on how long an implied warranty lasts, so the above limitation may not apply to you. The retailer shall not be liable for incidental, consequential, or special damages arising out of or in connection with product use or performance except as may otherwise be accorded by law. Some states do not allow the exclusion of incidental or consequential damages, so the above exclusion or limitation may not apply to you. This warranty gives specific legal rights, and you may also have other rights that vary from state to state. This warranty supersedes all prior warranties. Shipping costs for any return of product as part of a claim on the warranty must be paid by the customer.°

Contact the Customer Service Team at 1-855-HD-HAMPTON or visit www.HamptonBay.com.

Pre-Installation

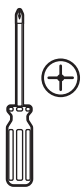
SPECIFICATIONS

Size	Speed	Volts	Amps	Watts	RPM	CFM	Net Weight	Gross Weight	Cube Feet
54 in.	Low	120	0.22	12	65	2031	18.08 lb (8.2 kg)	20.72 lb. (9.4 kg)	2.02 cu.ft.
	Medium		0.34	28	110	3271			
	High		0.49	60	160	4775			



NOTE: These are approximate measures. They do not include the amps and wattage used by the light kit.

TOOLS REQUIRED



Phillips screwdriver



Flat blade screwdriver



Adjustable wrench



Electrical tape



Wire cutter / stripper



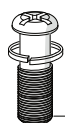
Step ladder

Pre-Installation (continued)

HARDWARE INCLUDED



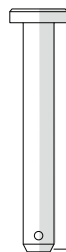
NOTE: Hardware not shown to actual size.



AA



BB



CC



DD



EE

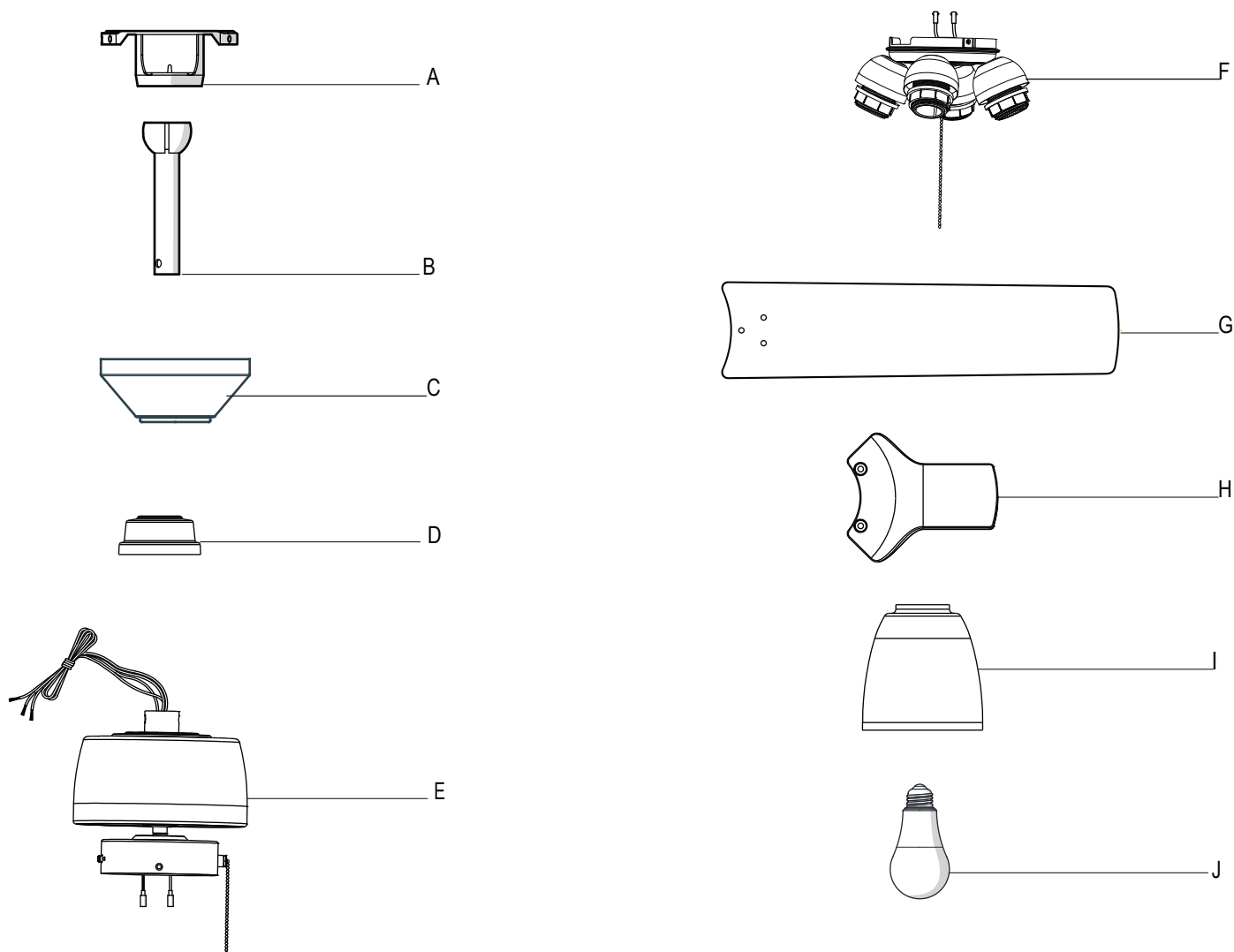


FF

Part	Description	Quantity
AA	Extra blade bracket screw	1
BB	Plastic wire connector	3
CC	Hanger pin	1
DD	Locking pin	1
EE	Blade attachment screws	13
FF	Pull chains	2

Pre-Installation (continued)

PACKAGE CONTENTS



Part	Description	Quantity
A	Slide-on mounting bracket (inside canopy)	1
B	Ball/downrod assembly	1
C	Canopy	1
D	Motor collar cover	1
E	Fan-motor assembly	1

Part	Description	Quantity
F	Light kit fitter assembly	1
G	Blade	4
H	Blade bracket (with pre-installed screws)	4
I	Glass shade	4
J	LED bulbs (9-Watt, Maximum)	4



IMPORTANT: This product and/or components are governed by one or more of the following U.S. Patents: 5,947,436; 5,988,580; 6,010,110; 6,046,416, 6,210,117 and other patents pending.

Installation

MOUNTING OPTIONS



WARNING: To reduce the risk of fire, electric shock or personal injury, mount to an outlet box marked "Acceptable for fan support of 35 lbs. (15.9 kg) or less," and use the screws provided with the outlet box. An outlet box commonly used for the support of lighting fixtures may not be acceptable for fan support and may need to be replaced. If in doubt, consult a qualified electrician.

If your ceiling fan does not have an existing UL-listed mounting box, then install one using the following instructions:

- Disconnect the power by removing the fuses or turning off the circuit breakers.
- Secure the outlet box directly to the building structure. Use the appropriate fasteners and materials. The outlet box and its bracing must be able to fully support the weight of the moving fan (at least 35 lbs.). Do not use a plastic outlet box.

The illustrations below show three different ways to mount the outlet box.



NOTE: You may need a longer downrod to maintain proper blade clearance when installing on a steep, sloped ceiling. The maximum angle allowable is 20° away from horizontal.



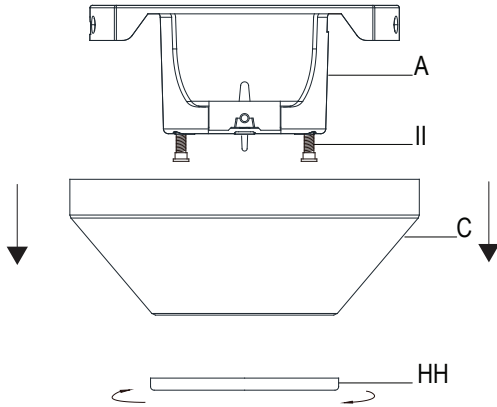
If the canopy (C) touches the ball/downrod assembly (B), then remove the decorative canopy bottom cover and turn the canopy (C) 180° before attaching the canopy (C) to the mounting plate.

To hang your fan where there is an existing fixture but no ceiling joist, you may need an installation hanger bar as shown above (available at any Home Depot store).

Assembly - Standard Ceiling Mount

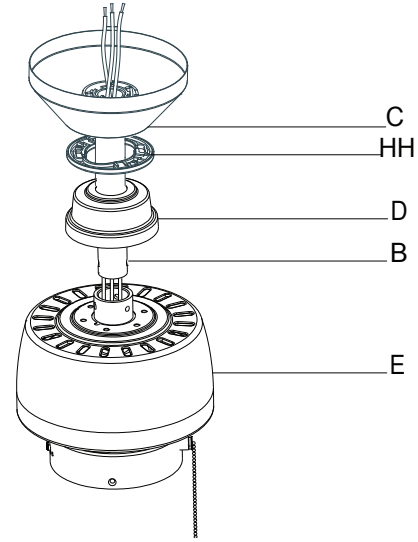
1 Preparing for standard mounting

- Remove the canopy cover (HH) from the canopy (C) by turning the bottom cover (HH) counter-clockwise until it unlocks.
- Loosen the two canopy screws (II) located in the bottom of the mounting bracket (A), and turn the canopy counter-clockwise to remove the mounting bracket (A) from the canopy (C).



2 Routing the wires

- Route the wires exiting the top of the fan motor assembly (E) through the decorative motor collar cover (D) and then the center of the canopy bottom cover (HH).
- Make sure the opening of the canopy (C) is on top and insert the ball/downrod (B) through the canopy (C).
- Route the wires exiting the top of the fan motor assembly (E) through the downrod as shown.

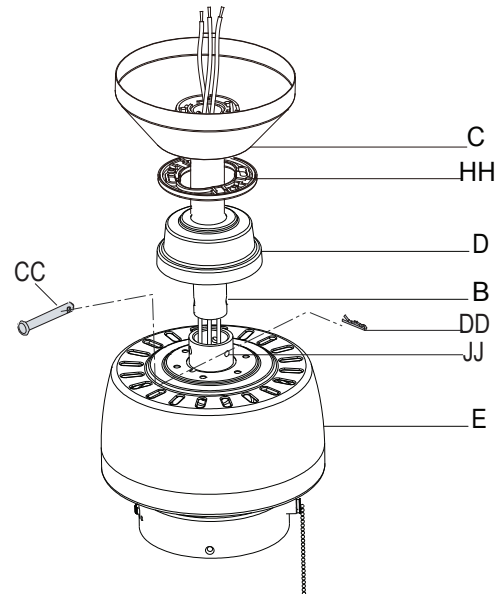


3 Assembling the fan



WARNING: Failure to properly install the locking pin (DD) could result in the fan becoming loose and possibly falling.

- Loosen, but do not remove, the setscrews (JJ) on the collar on top of the fan-motor assembly (E).
- Align the holes at the bottom of the ball/downrod assembly (B) with the holes in the collar on top of the fan-motor assembly (E).
- Carefully insert the hanger pin (CC) through the holes in the collar and ball/downrod assembly (B). Be careful not to jam the hanger pin (CC) against the wiring inside the ball/downrod assembly (B).
- Insert the locking pin (DD) through the hole near the end of the hanger pin (CC) until it snaps into its locked position.
- Re-tighten the setscrews (JJ) on the collar on top of the fan-motor assembly (E).



Assembly - Hanging the Fan

1 Attaching the fan to the electrical box

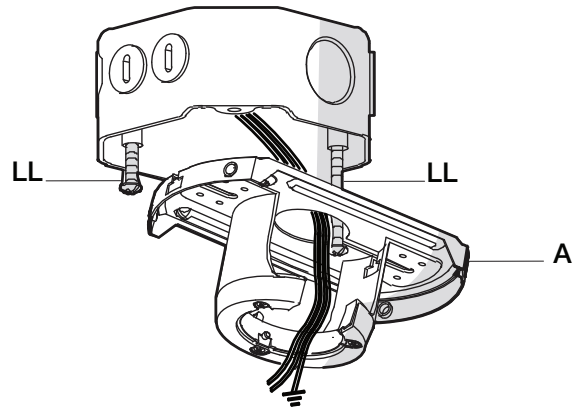


WARNING: To reduce the risk of fire, electric shock or personal injury, mount to an outlet box marked "Acceptable for fan support of 35 lbs. (15.9 kg) or less," and use the screws provided with the outlet box.



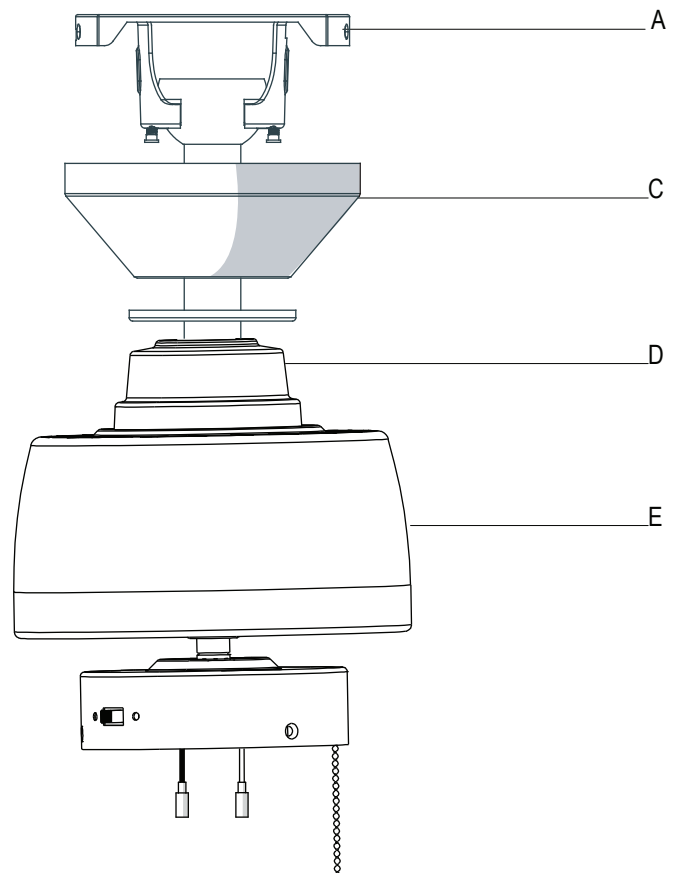
NOTE: The mounting bracket (A) is designed to slide into place on an outlet box with the outlet box screws (LL).

- Pass the 120-Volt supply wires through the center hole in the slide-on mounting bracket (A).
- Install the slide-on mounting bracket (A) on the outlet box by sliding the slide-on mounting bracket (A) over the two screws (LL) provided with the outlet box. If necessary, use leveling washers (not included) between the slide-on mounting bracket (A) and the outlet box. The flat side of the slide-on mounting bracket (A) should face toward the outlet box, as shown.
- Securely tighten the two mounting screws (LL).



2 Hanging the fan

- Carefully lift the fan-motor assembly (E) up to the slide-on mounting bracket (A).
- Insert the ball portion of the ball/downrod assembly (B) into the socket of the slide-on mounting bracket (A).
- Turn the ball/downrod assembly (B) clockwise until it is seated with the tab of the slide-on mounting bracket aligned with the slot in the ball.



Assembly - Hanging the Fan (continued)

3 Making the electrical connections



WARNING: Each wire nut supplied with this fan is designed to accept up to one 12-gauge house wire and two wires from the fan. If you have larger than 12-gauge house wiring or more than one house wire to connect to the fan wiring, consult an electrician for the proper size wire nuts to use.



WARNING: Remove the rubber motor stops on the bottom of the fan before installing the blades or testing the motor.

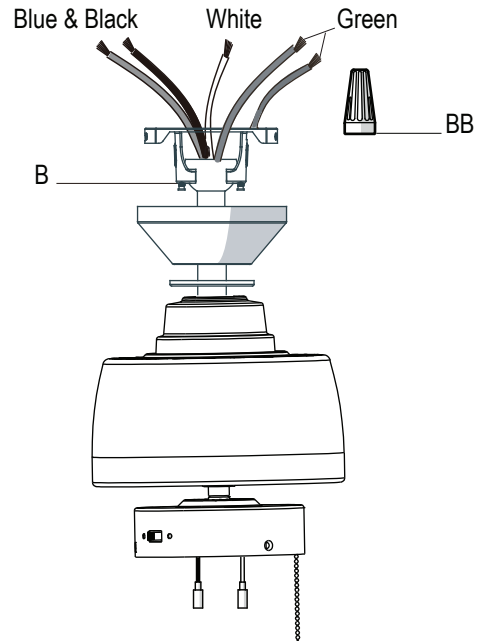
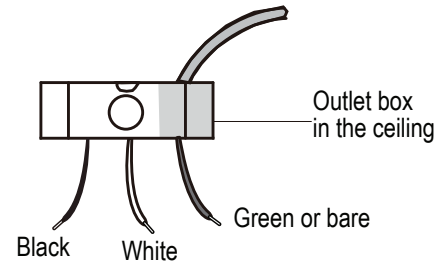


IMPORTANT: Use the plastic wire connectors (BB) supplied with your fan. Secure the connectors with electrical tape and ensure there are no loose strands or connections.



NOTE: The fan comes with 54 in. lead wires for use with an extended ball/downrod assembly. If using the 6 in. ball/downrod assembly (B) provided, you can cut the lead wires to your desired length (no shorter than 12 in.).

- The fan comes with 54 in. lead wires for use with an extended ball/downrod assembly. If using the 6 in. ball/downrod assembly (B) provided, you can cut the lead wires to your desired length (no shorter than 12 in.) This will make extra room in the canopy (C), if you do not wish to cut the wires, you will need to neatly wrap them.
- Connect the fan green wires to the household green or bare wire using a wire connecting nut (BB).
- Connect the fan motor white wire to the household white wire using a wire connecting nut (BB).
- Connect the fan motor black and blue wires to the household black wire using a wire connecting nut (BB).
- Secure each wire connecting nut using electrical tape.
- Turn the wire connecting nut (BB) upward and push the wiring into the outlet box.

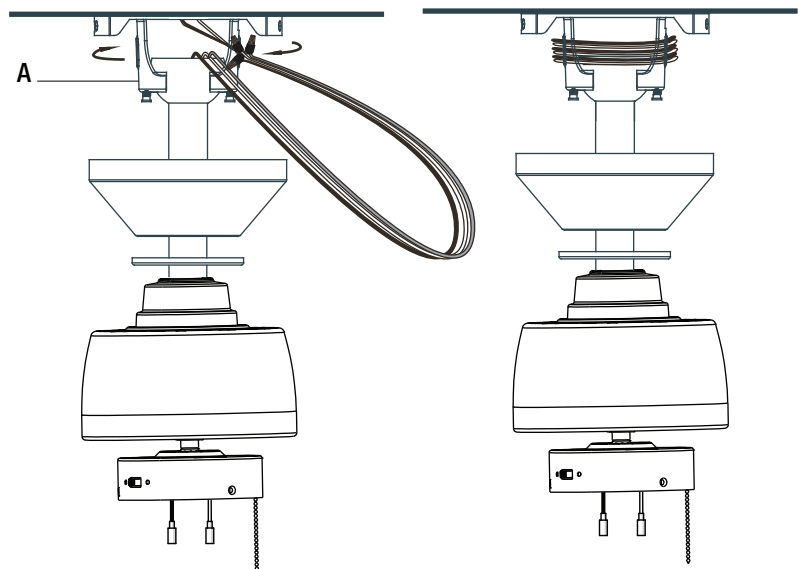


4 Wrapping the extra wire



NOTE: Follow this step ONLY if you did not cut the extra length from the wires coming from the ceiling fan.

- Gently wrap the excess wire around the mounting bracket (A).
- Secure the wires with electrical tape.



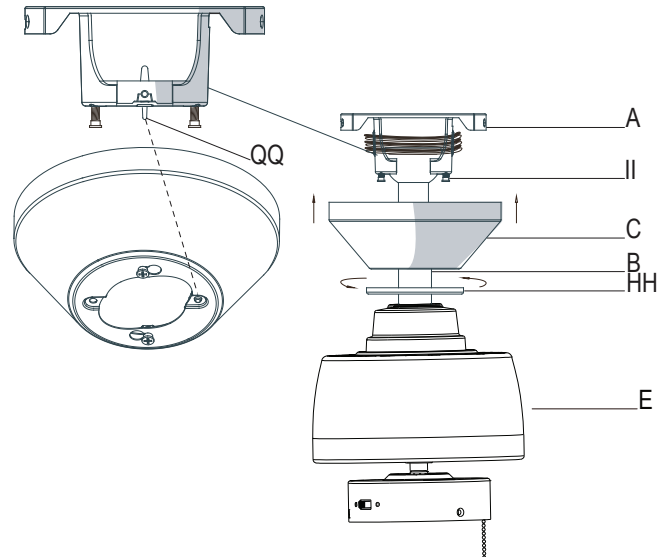
Assembly - Hanging the Fan (continued)

5 Mounting the fan-motor assembly (standard mount)



WARNING: When using the standard ball/downrod mounting, the tab in the ring at the bottom of the mounting bracket must rest in the groove of the hanger ball. Failure to properly seat the tab in the groove could cause damage to the wiring.

- Align the locking slots of the canopy (C) with the two screws (II) and alignment post (QQ) in the mounting bracket (A).
- Push up the canopy (C) and turn clockwise until the alignment post (QQ) engages to the round hole and the screws (II) engage to the key slots.
- Firmly tighten the two mounting screws (II).
- Install the decorative bottom cover (HH) by aligning the cover slots with screws in the bottom of the canopy (C). Rotate the bottom cover (HH) clockwise to lock in place.



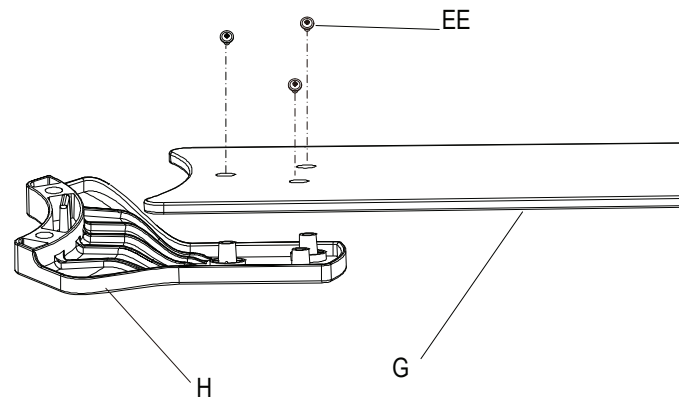
Assembly - Attaching the Fan Blades

1 Attaching the blades to the blade brackets



NOTE: Your fan blades are reversible. Select the blade side finish which best accentuates your decor.

- Attach a blade (G) to the blade bracket (H) by inserting the screws (EE) into the holes in the blade and through the blade bracket (H).
- Tighten each screw securely.
- Repeat this step for each blade and blade bracket.



Assembly - Attaching the Fan Blades (continued)

2 Fastening the blade assemblies to the motor



WARNING: Remove the rubber motor stops on the bottom of the fan before installing the blades or testing the motor.

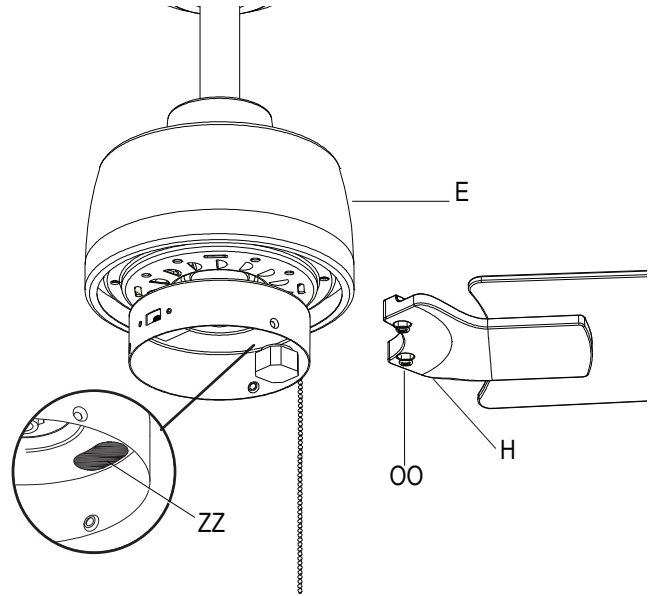


NOTE: Your fan features revolutionary advancements for quick and easy blade installation, including an alignment post and captive blade bracket screws.



IMPORTANT: The switch cup has an access hole (ZZ) to allow the screwdriver to reach the screws in the blade bracket. Position the blade bracket on the motor and tighten by inserting the screwdriver through the access hole (ZZ).

- Fasten the blade brackets (H) to the fan-motor assembly (E) by inserting the alignment post into the slot on the bottom of the motor and tightening the pre-installed blade bracket screws (OO) by inserting a screw driver through the access hole (ZZ).
- Repeat this step for the remaining blade assemblies by rotating the motor until the next blade bracket screw can be accessed through the access hole (ZZ) in the switch cup.



Assembly - Attaching the Lights

1 Attaching the light kit fitter assembly

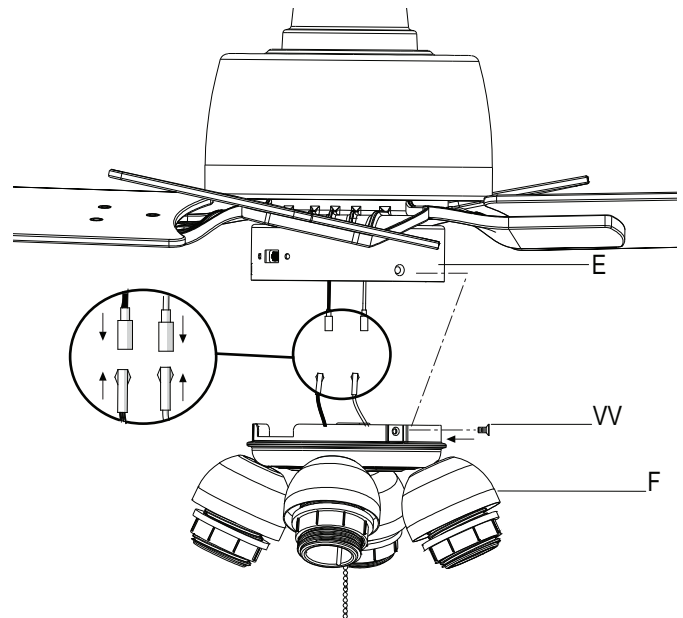


CAUTION: To reduce the risk of electric shock, disconnect the electrical supply circuit to the fan before installing the light fixture.



NOTE: Notice the location of the fan's slide switch. This is the switch used to change the fan's directional rotation. For more information on the operation of this switch, see *Operating Your Fan* on page 12.

- Remove the three screws (VV) on the switch cup cover of the light kit fitter assembly (F).
- Connect the wires from the light kit fitter assembly (F) to the wires from the switch cup of the fan-motor assembly (E) by connecting the molded adaptor plugs together (blue to black, white to white). Carefully tuck all wires and splices into the switch cup.
- Align the three holes in the switch cup cover of the light kit fitter assembly (F) with the three holes in the switch cup of the fan-motor assembly (E). Make sure the notch in the switch cup cover of the light kit fitter assembly (F) clears the reversing switch in the switch cup of the fan-motor assembly (E). Position the light kit fitter assembly (F) and re-install the three screws (VV) that were removed in first step to secure the light kit fitter assembly (F).



Assembly - Attaching the Lights (continued)

2 Installing the bulbs and glass shade

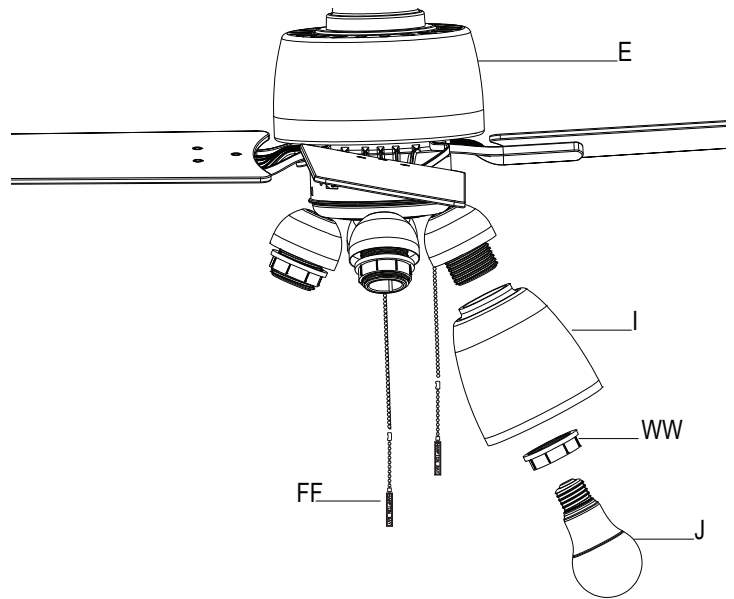


WARNING: Allow the glass shade to cool completely before removing.



CAUTION: Make sure the power is off before attaching or removing the glass shade.

- Remove the compressing ring (WW) from the threaded socket of the light kit by turning the compressing ring counter-clockwise until it unlocks.
- Insert the glass shade (I) into the light kit cowl and turn the compressing ring (WW) clockwise to tighten and secure the glass shade. Repeat for the remaining shades.
- With power off, screw the LED bulbs (J) (9W, provided) into the sockets.
- Attach the pull chain extensions (FF) provided to the light pull chain and fan pull chain.



Operation

OPERATING YOUR FAN

Turn on the power and check the operation of the fan. The fan pull chain controls the fan speed as follows:

1 pull - High, 2 pulls - Medium, 3 pulls - Low, 4 pulls - off

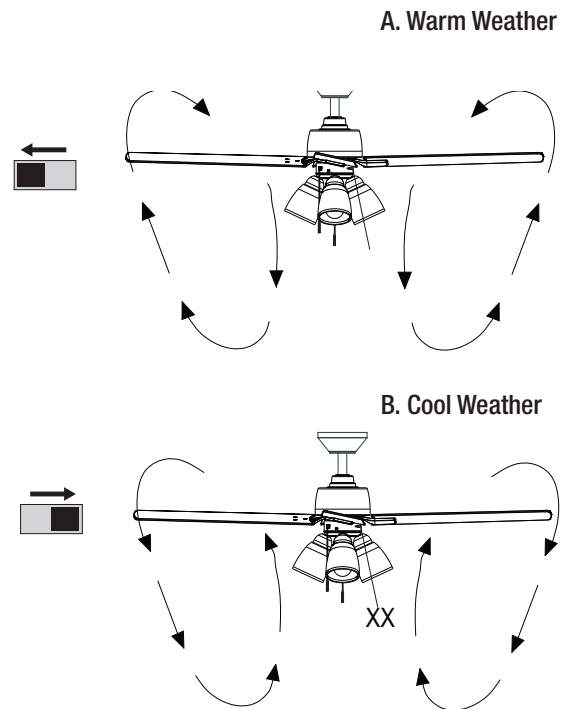
The appropriate speed settings for warm or cool weather depends on factors such as the room size, ceiling height, and number of fans.

The slide switch (XX) controls the direction of the blades: forward (switch left) or reverse (switch right).

 **NOTE:** Wait for the fan to stop before reversing the direction of the blade rotation.

A. Warm weather - (Forward) A downward airflow creates a cooling effect. This allows you to set your air conditioner on a higher setting without affecting your comfort.

B. Cool weather - (Reverse) An upward airflow moves warm air off of the ceiling. This allows you to set your heating unit on a lower setting without affecting your comfort.



Care and Cleaning



WARNING: Make sure the power is off before cleaning your fan.

- Because of the fan's natural movement, some connections may become loose. Check the support connections, brackets, and blade attachments twice a year. Make sure they are secure. It is not necessary to remove the fan from the ceiling.
- Clean your fan periodically to help maintain its new appearance over the years. Do not use water when cleaning, as this could damage the motor or the wood, or possibly cause an electrical shock. Use only a soft brush or lint-free cloth to avoid scratching the finish. The plating is sealed with a lacquer to minimize discoloration or tarnishing.
- You can apply a light coat of furniture polish to the wood for additional protection and enhanced beauty. Cover small scratches with a light application of shoe polish.
- You do not need to oil your fan. The motor has permanently-lubricated sealed ball bearings.

Troubleshooting

Problem	Solution
The fan will not start.	<ul style="list-style-type: none"><input type="checkbox"/> Check the main and branch circuit fuses or breakers.<input type="checkbox"/> Check the line wire connections to the fan and switch wire connections in the switch housing.
The fan is noisy.	<ul style="list-style-type: none"><input type="checkbox"/> Ensure all motor housing screws are snug.<input type="checkbox"/> Ensure the screws that attach the fan blade bracket to the motor hub are tight.<input type="checkbox"/> Ensure the wire nut connections are not rattling against each other or the interior wall of the switch housing.<input type="checkbox"/> Allow a 24-hour "breaking in" period. Most noises associated with a new fan disappear during this time.<input type="checkbox"/> If you are using the Ceiling Fan light kit, ensure the screws securing the glassware are tight. Check that the light bulbs are also secure.<input type="checkbox"/> Ensure the canopy is a short distance from the ceiling. It should not touch the ceiling.<input type="checkbox"/> Ensure your outlet box is secure and rubber isolator pads were used between the mounting plate and outlet box.
The fan wobbles.	<ul style="list-style-type: none"><input type="checkbox"/> Check that all blade and blade arm screws are secure.<input type="checkbox"/> Most fan wobble problems are caused when blade levels are unequal. Check this level by selecting a point on the ceiling above the tip of one of the blades. Measure from a point on the center of each blade to the point on the ceiling. Measure this distance. Rotate the fan until the next blade is positioned for measurement. Repeat for each blade. Any measurement deviation should be within 1/8 in. Run the fan for ten minutes. If the fan continues to wobble please contact Customer Service and a balancing kit will be sent to you at no charge.

HAMPTON BAY®

Questions, problems, missing parts? Before returning to the store,
call Hampton Bay Customer Service
8 a.m. - 7 p.m., EST, Monday - Friday, 9 a.m. - 6 p.m., EST, Saturday

1-855-HD-HAMPTON

HAMPTONBAY.COM

Retain this manual for future use.