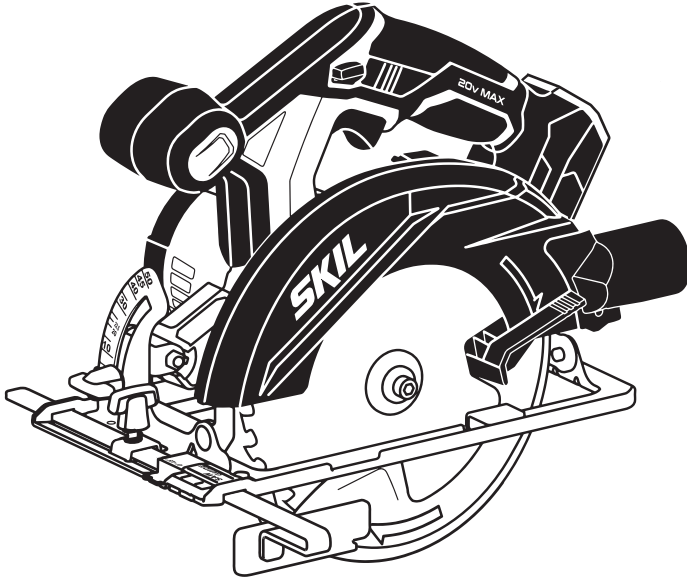


SKIL®

Owner's Manual
Guide d'utilisation
Manual del propietario



Model/ Modelo/ Modèle: CR540601

20V 6-1/2" Circular Saw

Scie circulaire de 20 V, 6-1/2 po

Sierra circular de 6-1/2 pulgadas de 20 V

▲ WARNING: To reduce the risk of injury, the user must read and understand the Owner's Manual before using this product. Save these instructions for future reference.

▲ AVERTISSEMENT : Afin de réduire les risques de blessure, l'utilisateur doit lire et comprendre le guide d'utilisation avant d'utiliser cet article. Conservez le présent guide afin de pouvoir le consulter ultérieurement.

▲ ADVERTENCIA : Para reducir el riesgo de lesiones, el usuario debe leer y comprender el Manual del operador antes de utilizar este producto. Guarde estas instrucciones para consultarlas en caso sea necesario.



For Customer Service
Pour le service à la clientèle
Servicio al cliente

1-877-SKIL-999 OR www.skil.com

TABLE OF CONTENTS

General Power Tool Safety Warnings	3-5
Additional Safety Instructions for Circular Saws	5-6
Symbols	7-10
Get to Know Your Circular Saw	11
Specifications	12
Operating Instructions	13-21
Maintenance	22
Troubleshooting	23
Limited Warranty of SKIL Cordless Tool	24

WARNING

- Some dust created by power sanding, sawing, grinding, drilling and other construction activities contains chemicals known to the State of California to cause cancer, birth defects or other reproductive harm. Some examples of these chemicals are:
 - Lead from lead-based paints.
 - Crystalline silica from bricks, cement, and other masonry products.
 - Arsenic and chromium from chemically-treated lumber.
- Your risk from these exposures varies, depending upon how often you do this type of work. To reduce your exposure to these chemicals:
 - Work in a well-ventilated area.
 - Work with approved safety equipment, such as dust masks that are specially designed to filter out microscopic particles.
 - Avoid prolonged contact with dust from power sanding, sawing, grinding, drilling, and other construction activities. Wear protective clothing and wash exposed areas with soap and water. Allowing dust to get into your mouth or eyes or to lie on the skin may promote absorption of harmful chemicals.

GENERAL POWER TOOL SAFETY WARNINGS



Read all safety warnings, instructions, illustrations and specifications provided with this power tool. Failure to follow all instructions listed below may result in electric shock, fire and/or serious injury.

SAVE ALL WARNINGS AND INSTRUCTIONS FOR FUTURE REFERENCE.

The term “power tool” in the warnings refers to your mains-operated (corded) power tool or battery-operated (cordless) power tool.

Work area safety

Keep work area clean and well lit. Cluttered or dark areas invite accidents.

Do not operate power tools in explosive atmospheres, such as in the presence of flammable liquids, gases or dust. Power tools create sparks which may ignite the dust or fumes.

Keep children and bystanders away while operating a power tool. Distractions can cause you to lose control.

Electrical safety

Power tool plugs must match the outlet. Never modify the plug in any way. Do not use any adapter plugs with earthed (grounded) power tools. Unmodified plugs and matching outlets will reduce risk of electric shock.

Avoid body contact with earthed or grounded surfaces, such as pipes, radiators, ranges and refrigerators. There is an increased risk of electric shock if your body is earthed or grounded.

Do not expose power tools to rain or wet conditions. Water entering a power tool will increase the risk of electric shock.

Do not abuse the cord. Never use the cord for carrying, pulling or unplugging the power tool. Keep cord away from heat, oil, sharp edges or moving parts. Damaged or entangled cords increase the risk of electric shock.

When operating a power tool outdoors, use an extension cord suitable for outdoor use. Use of a cord suitable for outdoor use reduces the risk of electric shock.

If operating a power tool in a damp location is unavoidable, use a ground fault circuit interrupter (GFCI) protected supply. Use of a GFCI reduces the risk of electric shock.

Personal safety

Stay alert, watch what you are doing and use common sense when operating a power tool. Do not use a power tool while you are tired or under the influence of drugs, alcohol or medication. A moment of inattention while operating power tools may result in serious personal injury.

Use personal protective equipment. Always wear eye protection. Protective equipment such as a dust mask, non-skid safety shoes, hard hat or hearing protection used for appropriate conditions will reduce personal injuries.

Prevent unintentional starting. Ensure the switch is in the off-position before connecting to power source and/or battery pack, picking up or carrying the tool. Carrying power tools with your finger on the switch or energising power tools that have the switch on invites accidents.

Remove any adjusting key or wrench before turning the power tool on. A wrench or a key left attached to a rotating part of the power tool may result in personal injury.

Do not overreach. Keep proper footing and balance at all times. This enables better control of the power tool in unexpected situations.

Dress properly. Do not wear loose clothing or jewellery. Keep your hair and clothing away from moving parts. Loose clothes, jewellery or long hair can be caught in moving parts.

If devices are provided for the connection of dust extraction and collection facilities, ensure these are connected and properly used. Use of dust collection can reduce dust-related hazards.

Do not let familiarity gained from frequent use of tools allow you to become complacent and ignore tool safety principles. A careless action can cause severe injury within a fraction of a second.

Power tool use and care

Do not force the power tool. Use the correct power tool for your application. The correct power tool will do the job better and safer at the rate for which it was designed.

Do not use the power tool if the switch does not turn it on and off. Any power tool that cannot be controlled with the switch is dangerous and must be repaired.

Disconnect the plug from the power source and/or remove the battery pack, if detachable, from the power tool before making any adjustments, changing accessories, or storing power tools. Such preventive safety measures reduce the risk of starting the power tool accidentally.

Store idle power tools out of the reach of children and do not allow persons unfamiliar with the power tool or these instructions to operate the power tool. Power tools are dangerous in the hands of untrained users.

Maintain power tools and accessories. Check for misalignment or binding of moving parts, breakage of parts and any other condition that may affect the power tool's operation. If damaged, have the power tool repaired before use. Many accidents are caused by poorly maintained power tools.

Keep cutting tools sharp and clean. Properly maintained cutting tools with sharp cutting edges are less likely to bind and are easier to control.

Use the power tool, accessories and tool bits etc. in accordance with these instructions, taking into account the working conditions and the work to be performed. Use of the power tool for operations different from those intended could result in a hazardous situation.

Keep handles and grasping surfaces dry, clean and free from oil and grease.

Slippery handles and grasping surfaces do not allow for safe handling and control of the tool in unexpected situations.

Battery tool use and care

Recharge only with the charger specified by the manufacturer. A charger that is suitable for one type of battery pack may create a risk of fire when used with another battery pack.

Use power tools only with specifically designated battery packs. Use of any other battery packs may create a risk of injury and fire.

When battery pack is not in use, keep it away from other metal objects, like paper clips, coins, keys, nails, screws or other small metal objects, that can make a connection from one terminal to another. Shorting the battery terminals together may cause burns or a fire.

Under abusive conditions, liquid may be ejected from the battery; avoid contact. If contact accidentally occurs, flush with water. If liquid contacts eyes, additionally seek medical help. Liquid ejected from the battery may cause irritation or burns.

Do not use a battery pack or tool that is damaged or modified. Damaged or modified batteries may exhibit unpredictable behaviour resulting in fire, explosion or risk of injury.

Do not expose a battery pack or tool to fire or excessive temperature. Exposure to fire or temperature above 265 °F may cause explosion.

Follow all charging instructions and do not charge the battery pack or tool outside the temperature range specified in the instructions. Charging improperly or at temperatures outside the specified range may damage the battery and increase the risk of fire.


Service

Have your power tool serviced by a qualified repair person using only identical replacement parts. This will ensure that the safety of the power tool is maintained.

Never service damaged battery packs. Service of battery packs should only be performed by the manufacturer or authorized service providers.

ADDITIONAL SAFETY INSTRUCTIONS FOR CIRCULAR SAWS

Cutting procedures

 DANGER Keep hands away from cutting area and the blade. Keep your second hand on auxiliary handle, or motor housing. If both hands are holding the saw, they cannot be cut by the blade.

Do not reach underneath the workpiece. The guard cannot protect you from the blade below the workpiece.

Adjust the cutting depth to the thickness of the workpiece. Less than a full tooth of the blade teeth should be visible below the workpiece.

Never hold the workpiece in your hands or across your leg while cutting. Secure the workpiece to a stable platform. It is important to support the work properly to minimise body exposure, blade binding, or loss of control.

Hold the power tool by insulated gripping surfaces, when performing an operation where the cutting tool may contact hidden wiring. Contact with a “live” wire will also make exposed metal parts of the power tool “live” and could give the operator an electric shock.

When ripping, always use a rip fence or straight edge guide. This improves the accuracy of cut and reduces the chance of blade binding.

Always use blades with correct size and shape (diamond versus round) of arbour holes. Blades that do not match the mounting hardware of the saw will run off-centre, causing loss of control.

Never use damaged or incorrect blade washers or bolt. The blade washers and bolt were specially designed for your saw, for optimum performance and safety of operation.

Kickback causes and related warnings

- kickback is a sudden reaction to a pinched, jammed or misaligned saw blade, causing an uncontrolled saw to lift up and out of the workpiece toward the operator;
- when the blade is pinched or jammed tightly by the kerf closing down, the blade stalls and the motor reaction drives the unit rapidly back toward the operator;
- if the blade becomes twisted or misaligned in the cut, the teeth at the back edge of the blade can dig into the top surface of the wood causing the blade to climb out of the kerf and jump back toward the operator.

Kickback is the result of saw misuse and/or incorrect operating procedures or conditions and can be avoided by taking proper precautions as given below.

Maintain a firm grip with both hands on the saw and position your arms to resist kickback forces. Position your body to either side of the blade, but not in line with the blade. Kickback could cause the saw to jump backwards, but kickback forces can be controlled by the operator, if proper precautions are taken.

When blade is binding, or when interrupting a cut for any reason, release the trigger and hold the saw motionless in the material until the blade comes to a complete stop. Never attempt to remove the saw from the work or pull the saw backward while the blade is in motion or kickback may occur. Investigate and take corrective actions to eliminate the cause of blade binding.

When restarting a saw in the workpiece, centre the saw blade in the kerf so that the saw teeth are not engaged into the material. If a saw blade binds, it may walk up or kickback from the workpiece as the saw is restarted.

Support large panels to minimise the risk of blade pinching and kickback. Large panels tend to sag under their own weight. Supports must be placed under the panel on both sides, near the line of cut and near the edge of the panel.

Do not use dull or damaged blades. Unsharpened or improperly set blades produce narrow kerf causing excessive friction, blade binding and kickback.

Blade depth and bevel adjusting locking levers must be tight and secure before making the cut. If blade adjustment shifts while cutting, it may cause binding and kickback.

Use extra caution when sawing into existing walls or other blind areas. The protruding blade may cut objects that can cause kickback.

Lower guard function

Check the lower guard for proper closing before each use. Do not operate the saw if the lower guard does not move freely and close instantly. Never clamp or tie the lower guard into the open position. If the saw is accidentally dropped, the lower guard may be bent. Raise the lower guard with the retracting handle and make sure it moves freely and does not touch the blade or any other part, in all angles and depths of cut.

Check the operation of the lower guard spring. If the guard and the spring are not operating properly, they must be serviced before use. Lower guard may operate sluggishly due to damaged parts, gummy deposits, or a build-up of debris.

The lower guard may be retracted manually only for special cuts such as “plunge cuts” and “compound cuts”. Raise the lower guard by the retracting handle and as soon as the blade enters the material, the lower guard must be released. For all other sawing, the lower guard should operate automatically.





Always observe that the lower guard is covering the blade before placing the saw down on bench or floor. An unprotected, coasting blade will cause the saw to walk backwards, cutting whatever is in its path. Be aware of the time it takes for the blade to stop after switch is released.

SYMBOLS

Safety Symbols

The purpose of safety symbols is to attract your attention to possible dangers. The safety symbols and the explanations with them deserve your careful attention and understanding. The symbol warnings do not, by themselves, eliminate any danger. The instructions and warnings they give are no substitutes for proper accident prevention measures.

⚠ WARNING Be sure to read and understand all safety instructions in this Owner's Manual, including all safety alert symbols such as "**DANGER**," "**WARNING**," and "**CAUTION**" before using this tool. Failure to following all instructions listed below may result in electric shock, fire, and/or serious personal injury.

The definitions below describe the level of severity for each signal word. Please read the manual and pay attention to these symbols.	
	This is the safety alert symbol. It is used to alert you to potential personal injury hazards. Obey all safety messages that follow this symbol to avoid possible injury or death.
	DANGER indicates a hazardous situation which, if not avoided, will result in death or serious injury.
	WARNING indicates a hazardous situation which, if not avoided, could result in death or serious injury.
	CAUTION, used with the safety alert symbol, indicates a hazardous situation which, if not avoided, will result in minor or moderate injury.

Damage Prevention and Information Messages

These inform the user of important information and/or instructions that could lead to equipment or other property damage if they are not followed. Each message is preceded by the word "NOTICE", as in the example below:





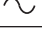



NOTICE: Equipment and/or property damage may result if these instructions are not followed.






⚠ WARNING The operation of any power tools can result in foreign objects being thrown into your eyes, which can result in severe eye damage. Before beginning power tool operation, always wear safety goggles or safety glasses with side shields and a full face shield when needed. We recommend a Wide Vision Safety Mask for use over eyeglasses or standard safety glasses with side shields. Always use eye protection which is marked to comply with ANSI Z87.1.

SYMBOLS (CONTINUED)








IMPORTANT: Some of the following symbols may be used on your tool. Please study them and learn their meaning. Proper interpretation of these symbols will allow you to operate the tool better and more safely.

Symbol	Name	Designation/Explanation
V	Volts	Voltage (potential)
A	Amperes	Current
Hz	Hertz	Frequency (cycles per second)
W	Watt	Power
kg	Kilograms	Weight
min	Minutes	Time
s	Seconds	Time
Wh	Watt-hours	Battery capacity
Ah	Ampere-Hours	Battery capacity
∅	Diameter	Size of drill bits, grinding wheels, etc.
n_0	No load speed	Rotational speed, at no load
n	Rated speed	Maximum attainable speed
.../min	Revolutions or reciprocation per minute	Revolutions, strokes, surface speed, orbits, etc. per minute
0	Off position	Zero speed, zero torque...
1,2,3,... I,II,III,	Selector settings	Speed, torque or position settings. Higher number means greater speed
	Infinitely variable selector with off	Speed is increasing from 0 setting
	Arrow	Action in the direction of arrow
	Alternating current	Type or a characteristic of current
	Direct current	Type or a characteristic of current
	Alternating or direct current	Type or a characteristic of current
	Class II construction	Designates Double Insulated Construction tools.
	Earthing terminal	Grounding terminal
	Li-ion RBRC seal	Designates Li-ion battery recycling program

Symbol	Name	Designation/Explanation
	Ni-Cad RBRC seal	Designates Ni-Cad battery recycling program
	Read manual symbol	Alerts user to read manual
	Wear eye protection symbol	Always wear safety goggles or safety glasses with side shields and a full face shield when operating this product.

SYMBOLS (CERTIFICATION INFORMATION)

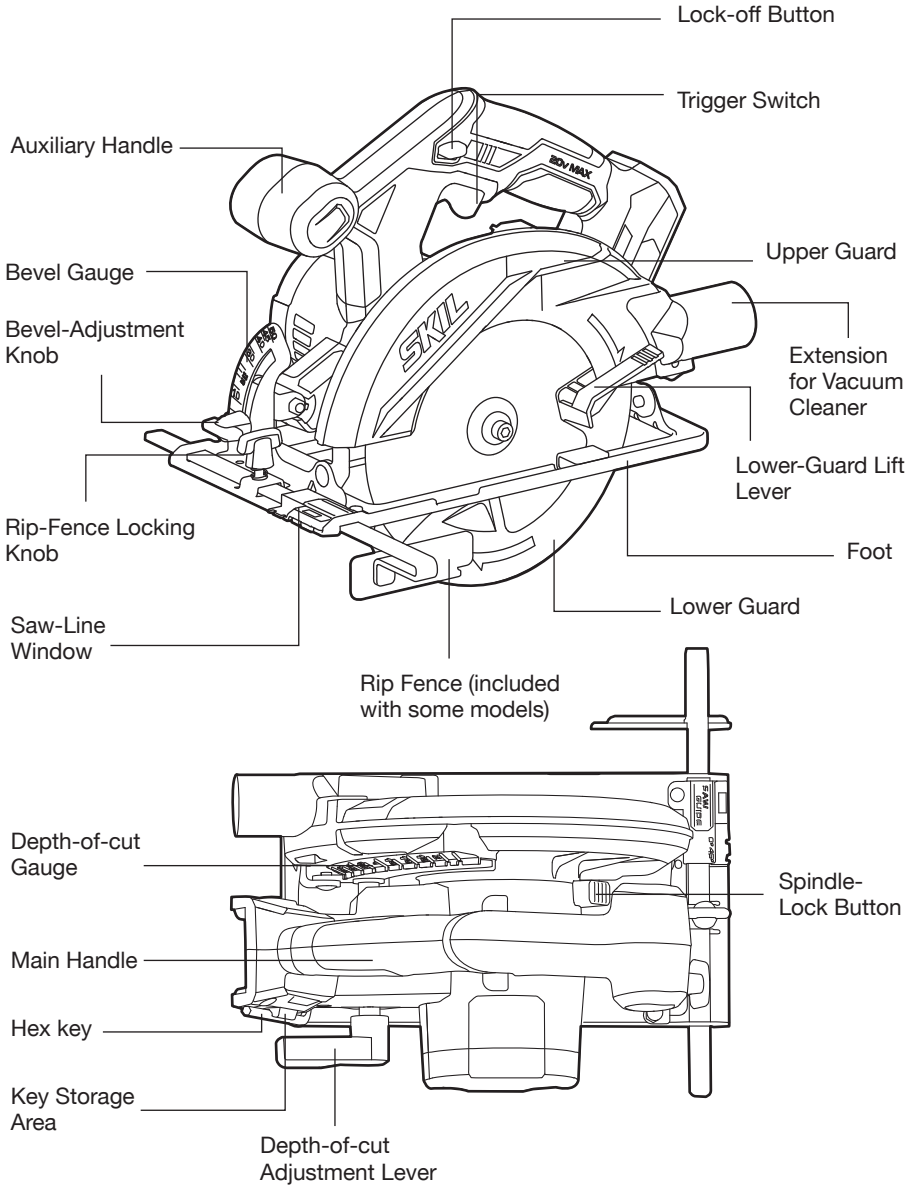
IMPORTANT: Some of the following symbols for certification information may be used on your tool. Please study them and learn their meaning. Proper interpretation of these symbols will allow you to operate the tool better and more safely.

Symbol	Designation/Explanation
	This symbol designates that this tool is listed by Underwriters Laboratories.
	This symbol designates that this tool is recognized by Underwriters Laboratories.
	This symbol designates that this tool is listed by Underwriters Laboratories, to United States and Canadian Standards.
	This symbol designates that this tool is listed by the Canadian Standards Association.
	This symbol designates that this tool is listed by the Canadian Standards Association, to United States and Canadian Standards.
	This symbol designates that this tool is listed by the Intertek Testing Services, to United States and Canadian Standards.
	This symbol designates that this tool complies to NOM Mexican Standards.

GET TO KNOW YOUR CIRCULAR SAW

20V 6-1/2" Circular Saw

Fig. 1



SPECIFICATIONS

Rated voltage	20V d.c.
No-load speed	4500 /min
Blade diameter	6-1/2" (165mm)
Blade arbor	5/8" (16mm)
Cutting depth at 90°	2-1/8" (54mm)
Cutting depth at 45°	1-3/4" (44.5mm)
Bevel range	0°~50°
Recommended working temperature	14 ~ 104°F (-10 ~ 40°C)
Recommended storage temperature	32 ~ 104°F (0 ~ 40°C)

OPERATING INSTRUCTIONS

⚠ WARNING To reduce the risk of fire, personal injury, and product damage due to a short circuit, never immerse your tool, battery pack or charger in fluid or allow a fluid to flow inside them. Corrosive or conductive fluids, such as seawater, certain industrial chemicals, and bleach or bleach-containing products, etc., can cause a short circuit.

⚠ WARNING If any parts are damaged or missing, do not operate this product until the parts are replaced. Use of this product with damaged or missing parts could result in serious personal injury.

⚠ WARNING Do not attempt to modify this tool or create accessories not recommended for use with this tool. Any such alteration or modification is misuse and could result in a hazardous condition leading to possible serious injury.

⚠ WARNING To prevent accidental starting that could cause serious personal injury, always remove the battery pack from the tool when assembling parts.

This cordless circular saw must be used only with the battery packs and charger listed below:

Battery Pack			Charger
2Ah	4Ah	5Ah	
SKIL BY519701	SKIL BY519601	SKIL BY519603	SKIL SC535801

NOTICE: Please refer to the battery pack and charger manuals for detailed operating information.

To Attach/Detach Battery Pack (Fig. 2)

To attach the battery pack:

Align the raised rib on the battery pack with the grooves of the tool, and then slide the battery pack onto the tool.

NOTICE: Make sure that the latch on the battery pack snaps into place and that the battery pack is secured to the tool before beginning operation.

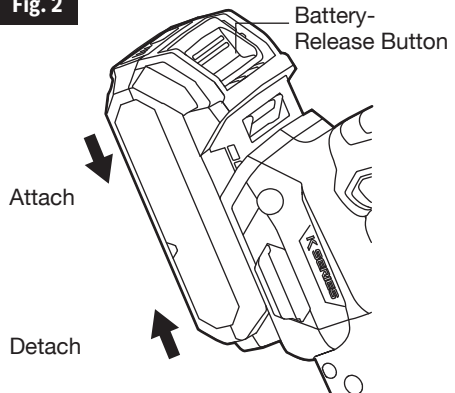
To detach the battery pack:

Depress the battery-release button, located on the front of the battery pack, to release the battery pack. Pull the battery pack out and remove it from the tool.

NOTICE: When placing the battery pack on the tool, be sure that the raised rib on the battery pack aligns with the groove inside the tool and that the latches snap into place properly. Improper attachment of the battery pack can cause damage to internal components.

⚠ WARNING Battery tools are always in operating condition. Therefore, remove the battery when the tool is not in use or when carrying it at your side.

Fig. 2



Attaching the Blade (Fig. 3)

⚠ WARNING Detach the battery pack from the tool before performing any assembly, adjustments, or changing accessories. Such preventive safety measures reduce the risk of starting the tool accidentally.

⚠ WARNING This tool is for cutting wood only. Use only the correct saw blades for wood-cutting operations. Do not use any abrasive wheels.

⚠ WARNING Use only 6-1/2" saw blade rated 4500/min (RPM) or greater. NEVER use a blade that is so thick that it prevents the outer blade washer from engaging with the flat side of the spindle. Using a blade not designed for the saw may result in serious personal injury and property damage.

⚠ WARNING Be sure to wear protective work gloves while handling a saw blade. The blade can injure unprotected hands.

a. Press the spindle-lock button and turn the hex key until the spindle-lock button engages. The saw shaft is now locked. Continue to depress the spindle-lock button, turn the hex key clockwise, and remove the blade bolt and the outer washer.

⚠ WARNING Depress the spindle-lock button only when the tool is at a standstill.

b. Make sure that the saw teeth and the arrow on the blade point in the same direction as the arrow on the lower guard.

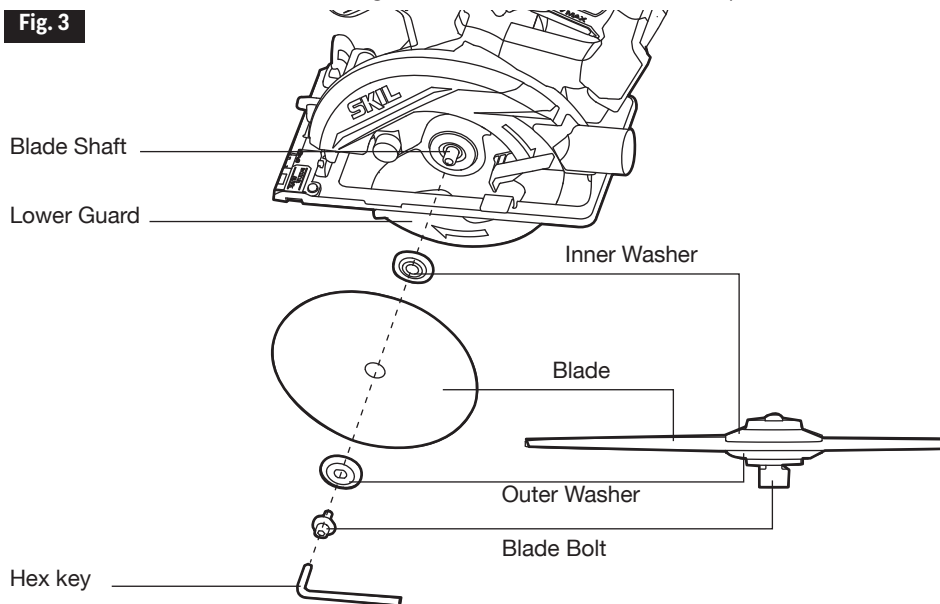
c. Retract the lower guard all the way up into the upper guard. While retracting the lower guard, check the operation and condition of the lower guard system.

d. Slide the blade through the slot in the foot and mount it against the inner washer on the shaft. Be sure that the clamping surfaces of the inner and outer washers lay flush against the blade.

⚠ WARNING Make sure that the clamping surfaces of inner and outer washers are perfectly clean and face the blade.

e. Reinstall the outer washer. First tighten the blade bolt finger tight, then tighten the blade bolt 1/8 turn (45°) with the hex key (this ensures slippage of the saw blade when it encounters excessive resistance, thus reducing motor overload and saw kickback).

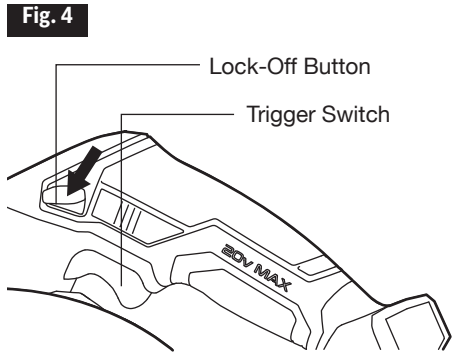
Fig. 3



Lock-Off Button (Fig. 4)

The lock-off button is located on the handle above the trigger switch. It reduces the possibility of accidental starting for personal safety protection.

The lock-off button must be pushed in before pulling the trigger switch.

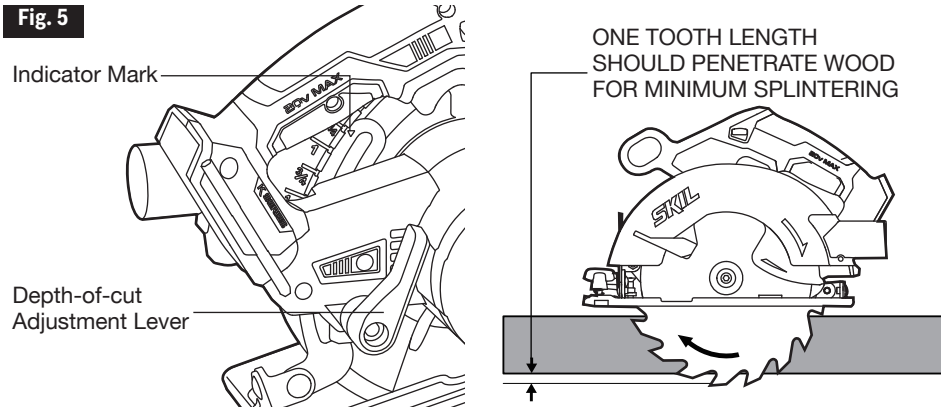


Depth-of-Cut Adjustment (Fig. 5)

The depth-of-cut adjustment lever is located beside the main handle.

- Detach the battery pack from the tool.
- Loosen the depth-of-cut adjustment lever.
- Hold the foot of the saw flat against the edge of the workpiece and then raise or lower the saw until the indicator mark on the depth-of-cut gauge aligns with the desired depth-of-cut mark.
- Securely tighten the depth-of-cut adjustment lever at the desired depth-of-cut.

NOTICE: Check the depth-of-cut setting. Not more than one tooth length of the blade should extend below the material to be cut, for minimum splintering.



Bevel Adjustment (Fig. 6)

The bevel-adjustment knob adjusts the cutting angle.

- Detach the battery pack from the tool.
- Loosen the bevel-adjustment knob by rotating the knob counterclockwise.
- Tilt the foot until the bevel-indicator mark reaches the desired setting on the bevel gauge.
- Securely tighten the bevel-adjustment knob by rotating the knob clockwise.

⚠ WARNING Attempting to make bevel cuts without the bevel-adjustment knob securely tightened can result in serious injury.

⚠ WARNING Because of the increased amount of blade engagement in the work while bevel cutting and decreased stability of the foot, blade binding may occur. Keep the saw steady and the foot firmly on the workpiece.

NOTICE: When bevel cutting, the depth of cut does not correspond with value on the depth of cut gauge.

NOTICE: Since the blade thicknesses vary and different angles require different settings, always make a trial cut in scrap material along a guideline to determine how much you should offset the guideline on the workpiece to be cut.

0° Bevel Check and Adjustment (Fig. 7)

Your tool has a 0° bevel stop, which has been adjusted before shipment to assure that the blade is vertical to the foot at 0° bevel cutting.

To check and adjust to 0° Bevel:

- Detach the battery pack from the tool.
- Set the foot to the maximum depth-of-cut setting. Loosen the bevel-adjustment knob, set the saw to 0° bevel on the bevel gauge, retighten the bevel-adjustment knob.
- Turn the saw upside down and place it on a stable surface. Check for an angle of 90° between the blade and the underside of the foot with a square.
- If adjustment is necessary, loosen the bevel-adjustment knob. Place the saw in an upside-down position on a workbench. Use a Phillips-screwdriver to turn the 0° bevel-stop-adjustment screw until the foot is square with the saw blade.

Fig. 7

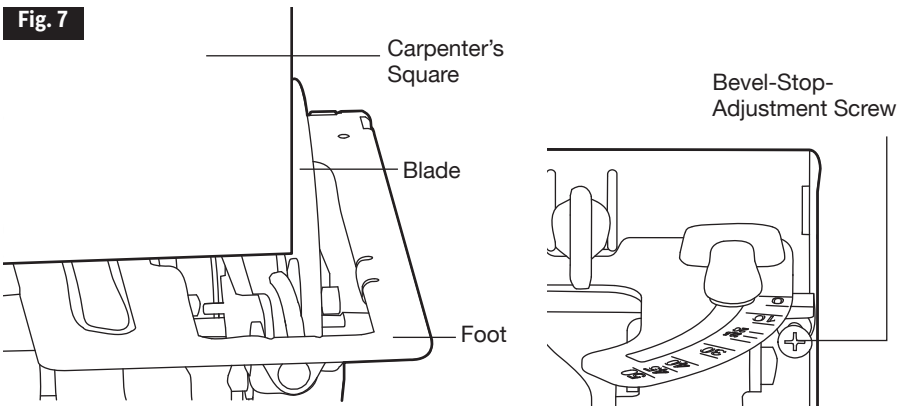
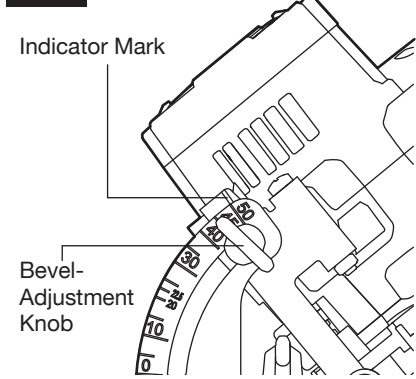


Fig. 6



Saw-Line Window (Fig. 8)

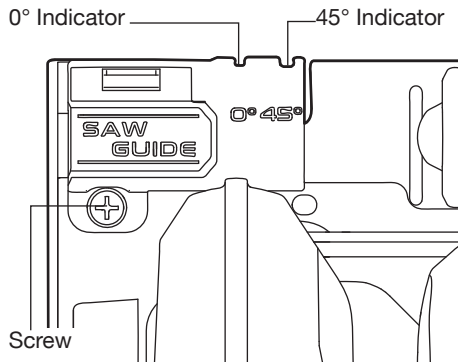
For a 0° cut, align your line of cut with the left notch in the foot at the 0° indicator.

For 45° bevel cuts, align your line of cut with the right notch at the 45° indicator.

The saw-line window is also adjustable by loosening the screw and realigning the window, according to your need.

The saw-line window will give an approximate line of cut. Make sample cuts in scrap lumber to verify the actual line of cut. This will be helpful because of the number of different blade types and thicknesses available. To ensure minimum splintering on the good side of the material to be cut, face the good side down.

Fig. 8



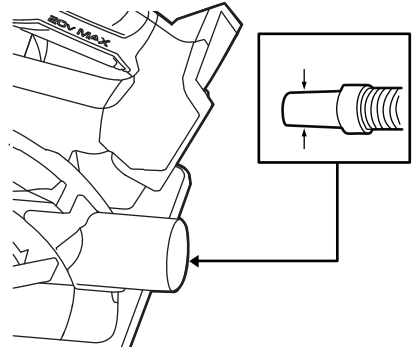
Extension for Vacuum Cleaner (Fig. 9)

Your tool is equipped with an extension (Ø1-1/4") for connecting a vacuum cleaner.

Choose a suitable vacuum-cleaner hose or use an adapter, if necessary.

⚠ WARNING Never allow a vacuum-cleaner hose interfere with the lower guard or cutting operation.

Fig. 9



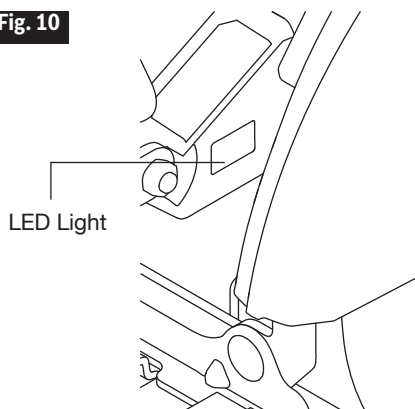
LED Light (Fig. 10)

An LED light is located behind the upper guard. This provides additional light on the saw blade and the surface of the workpiece for operation in lower-light areas.

The LED light will automatically turn on when the trigger switch is pressed and will turn off after the trigger switch is released.

If the tool and/or battery pack becomes overloaded or too hot, the internal sensors will turn the tool off, and the LED light will rapidly flash. Rest the tool for a while or place the tool and battery pack separately under air flow for cooling.

Fig. 10



Cutting with the Circular Saw (Fig. 11)

Refer to the figures in this section to learn the correct and incorrect ways of handling the saw.

⚠ WARNING

- **To make sawing easier and safer, always maintain proper control of the saw. Loss of control could cause an accident resulting in serious injury.**
- **Maintain a firm grip and operate the trigger switch with a decisive action. Never force the saw. Use light and continuous pressure.**
- **When lifting the saw from the workpiece, the blade is exposed on the underside of the saw until the lower blade guard closes. Make sure that the lower blade guard is closed before setting the saw down.**

To make the safest and best possible cut, follow these helpful hints:

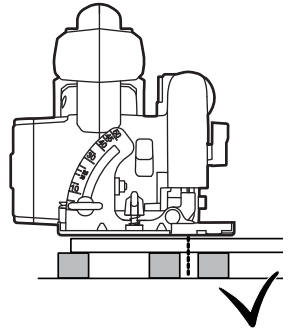
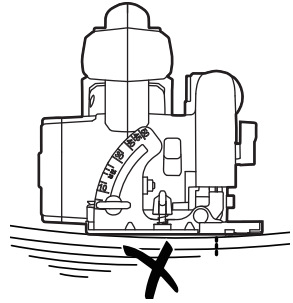
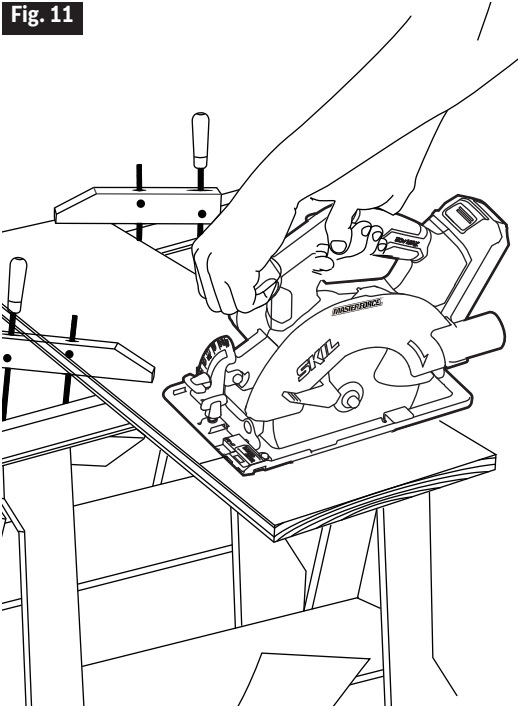
- a. Hold the saw firmly with both hands.
- b. Avoid placing your hand on the workpiece while making a cut.
- c. Support the workpiece so that the cut is always to the operator's side and not directly in line with the operator's body.
- d. Support the workpiece near the cut.
- e. Clamp the workpiece securely so that the workpiece will not move during the cut.
- f. Always place the saw on the portion of the workpiece that is supported, and not on the "cut off" piece.
- g. Place the workpiece with the "good" side down.
- h. Draw a guideline along the desired cutting line before beginning the cut.
- i. Rest the front edge of the foot on the workpiece without touching the blade to the workpiece
- j. Depress the trigger switch to start the saw.
- k. Allow the blade to reach full speed, then guide the saw into the workpiece and make the cut.
- l. Release the trigger switch and allow the blade to come to a complete stop.
- m. Lift the saw from the workpiece.

NOTICE: Do not bind the blade in the cut.

When cutting is interrupted, to resume cutting: squeeze the trigger and allow the blade to reach full speed, re-enter the cut slowly, and resume cutting.

When cutting across the grain, the fibers of the wood have a tendency to tear and lift. Advancing the saw slowly will minimize this effect.

Fig. 11



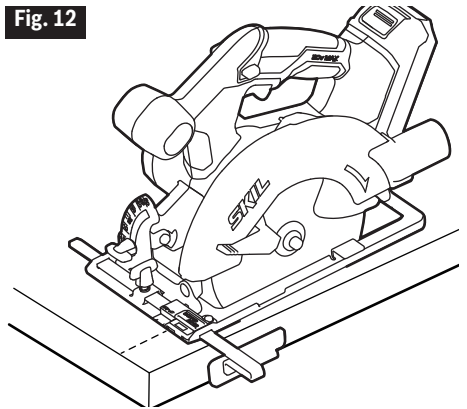
Cross-Cutting/Rip Cutting (Fig. 12)

When making a cross-cut or a rip cut, align the guideline with the 0° indicator notch on the foot. The distance from the saw blade to the saw base is approximately 1-3/8 in. (35mm) on the left side of the saw and 4-1/6 in. (105mm) on the right.

Blade thicknesses vary, so you should always make a trial cut in scrap material along a guideline to determine how much the guideline must be offset from the guide to produce an accurate cut.

NOTICE: Use a guide when making long or wide rip cuts.

Fig. 12



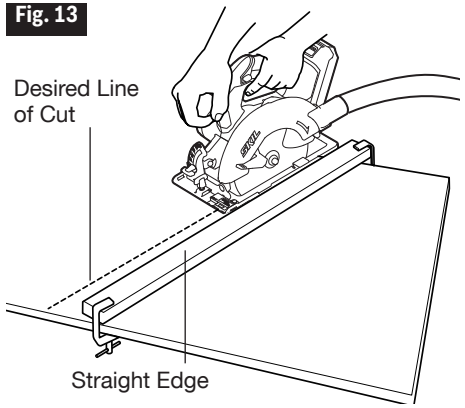
Rip Cutting Using a Straight Edge (Fig. 13)

- Secure the workpiece.
 - Clamp a straight edge to the workpiece using C-clamps (not included).
- NOTICE:** Position the C-clamps so that they will not interfere with the saw housing during the cut.
- Rest the front edge of the foot on the workpiece without touching the blade to the workpiece.
 - Depress the trigger switch to start the saw.
 - Allow the blade to reach full speed, then guide the saw into the workpiece and make the cut.
 - Saw along the straight edge to achieve a straight rip cut.
 - Release the trigger switch and allow the blade to come to a complete stop.
 - Lift the saw from the workpiece.

NOTICE: Do not bind the blade in the cut.

CAUTION Always be sure that neither hand interferes with the free movement of the lower guard.

CAUTION After completing a cut and releasing the trigger, be aware of the necessary time it takes for the blade to come to a complete stop during coast down. Do not allow the saw to brush against your leg or side. Since the lower guard is retractable, it could catch on your clothing and expose the blade. Be aware of the necessary blade exposures that exist in both the upper and lower guard areas.



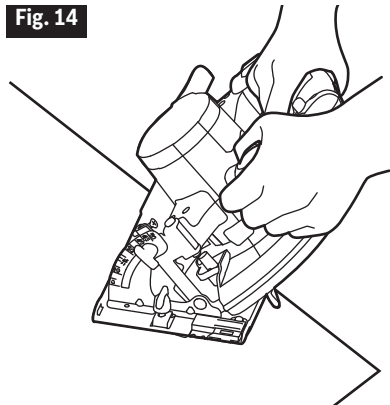
Bevel Cutting (Fig. 14)

To make the best possible cut:

- Remove the battery from the saw.
- Adjust the angle of cut to any desired setting between 0° and 50°. Securely tighten the bevel-adjustment knob.

WARNING Attempting a bevel cut without having the bevel-adjustment knob securely locked in place can result in serious injury.

- Attach the battery pack
- Align the cutting line with the 45° indicator notch on the foot when making 45° bevel cuts.
- Make a trial cut in scrap material along a guideline to determine the amount to offset the guideline on the cutting material.
- Hold the saw firmly with both hands, as shown.
- Rest the front edge of the foot on the workpiece without touching the blade to the workpiece.
- Depress the trigger switch to start the saw.



- i. Allow the blade to reach full speed, then guide the saw into the workpiece and make the cut.
- j. Release the trigger switch and allow the blade to come to a complete stop.
- k. Lift the saw from the workpiece.

NOTICE: Do not bind the blade in the cut.

Plunge Cuts (Fig. 15)

⚠ WARNING Always adjust the bevel setting to zero before making a plunge cut. Attempting a plunge cut at any other setting can result in a loss of control of the saw, which can result in serious injury.

- a. Detach the battery pack from the tool before making any adjustment.
- b. Adjust the depth of cut according to the thickness of the material to be cut.
- c. Attach the battery pack.
- d. Holding the main handle of the saw with one hand, tilt saw forward and rest front of the foot plate on material to be cut. Line up the saw line indicator with the line you've drawn.
- e. Raise the lower guard using lower guard lift lever and hold the front of the foot plate with the other hand.
- f. Position the saw with the blade just clearing the material to be cut. Start the motor and once fully up to speed, gradually lower the back end of saw, using the front end of the foot as a hinge point.

⚠ WARNING Once the foot plate rests flat on the surface being cut, release the lower guard and move the hand holding the front of the foot plate to hold the auxiliary handle.

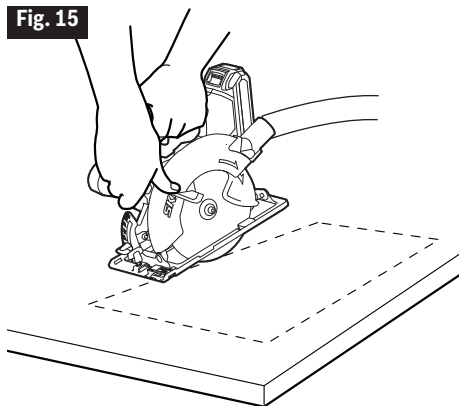
- g. Proceed cutting in forward direction to end of cut.

⚠ WARNING Allow blade to come to a complete stop before lifting the saw from cut.

⚠ WARNING Never pull the saw backward, since blade will climb out of the material and KICKBACK will occur.

- h. Turn the saw around and finish the cut in the normal manner, sawing forward.
- i. If corners of your plunge cut are not completely cut through, use a jigsaw or hand saw to finish the corners.

Fig. 15



MAINTENANCE

⚠ WARNING To avoid serious personal injury, always remove the battery pack from the tool when cleaning or performing any maintenance.

Service

⚠ WARNING Preventive maintenance performed by unauthorized personnel may result in misplacing internal wires and components, which could cause serious hazard. We recommend that all tool service be performed by a SKIL Factory Service Center or Authorized SKIL Service Station.

General Maintenance

⚠ WARNING When servicing, use only identical replacement parts. Use of any other parts could create a hazard or cause product damage.

Periodically inspect the entire product for damaged, missing, or loose parts such as screws, nuts, bolts, caps, etc. Tighten securely all fasteners and caps and do not operate this product until all missing or damaged parts are replaced. Please contact customer service or an authorized service center for assistance.

Cleaning

⚠ WARNING The tool may be cleaned most effectively with compressed dry air. **Always wear safety goggles when cleaning tools with compressed air.**

Ventilation openings and switch selectors must be kept clean and free of foreign matter. Do not attempt to clean by inserting pointed objects through openings.

⚠ WARNING Certain cleaning agents and solvents damage plastic parts. Some of these are: gasoline, carbon tetrachloride, chlorinated cleaning solvents, ammonia and house hold detergents that contain ammonia.

Storage

Store the tool indoors in a place that is inaccessible to children. Keep away from corrosive agents.

Care of Blades

Blades become dull even from cutting regular lumber. If you find yourself forcing the saw forward to cut instead of just guiding it through the cut, chances are the blade is dull or coated with wood pitch.

When cleaning gum and wood pitch from blade, detach the battery pack and remove the blade.

Remember, blades are designed to cut, so handle them carefully. Wipe the blade with kerosene or similar solvent to remove the gum and pitch.

Unless you are experienced in sharpening blades, we recommend that you do not try. Replace the dull blade.

TROUBLESHOOTING

Problem	Cause	Remedy
Tool does not start.	<ol style="list-style-type: none"> 1. Battery pack is depleted. 2. Battery pack is not installed properly. 3. Burned out switch. 	<ol style="list-style-type: none"> 1. Charge the battery. 2. Confirm battery is properly secured to the tool. 3. Have the switch replaced by an Authorized SKIL Service Center or Service Station.
Blade does not come up to speed.	<ol style="list-style-type: none"> 1. Low battery. 	<ol style="list-style-type: none"> 1. Recharge the battery pack or use a fully charged pack.
Excessive vibration.	<ol style="list-style-type: none"> 1. Blade out of balance. 2. Workpiece not clamped or supported properly. 	<ol style="list-style-type: none"> 1. Discard blade and use a different blade. 2. Clamp or support workpiece properly according to this manual.
The blade does not follow a straight line.	<ol style="list-style-type: none"> 1. Blade teeth are dull. 2. Foot is out of line or bent. 3. Blade is bent. 	<ol style="list-style-type: none"> 1. Change to a new blade. 2. Have the tool repaired by an Authorized SKIL Service Center or Service Station. 3. Change to a new blade.
Cut binds, burns, stalls motor when ripping.	<ol style="list-style-type: none"> 1. Dull blade with improper tooth set. 2. Blade binds. 3. Improper workpiece support. 	<ol style="list-style-type: none"> 1. Discard blade and use a different blade. 2. Reassemble the blade and tighten the washers according to this manual. 3. Clamp or support workpiece properly according to this manual.
Blade slipping.	<ol style="list-style-type: none"> 1. Tool does not cut workpiece. 	<ol style="list-style-type: none"> 1. Reassemble the blade and tighten the washers according to this manual.

LIMITED WARRANTY OF SKIL CONSUMER TOOLS

5 YEAR LIMITED WARRANTY- LEGAL

Chervon North America, Inc. ("Seller") warrants to the original purchaser only, that all SKIL consumer TOOLS will be free from defects in material or workmanship for a period of five years from date of purchase, if original purchaser registers the product within 30 days from purchase. BATTERIES AND CHARGERS are warranted for 2 years. Product registration can be completed online at www.Registemyskil.com. Original purchasers should also retain their receipt as proof of purchase. THE FIVE-YEAR WARRANTY PERIOD FOR TOOLS IS CONDITIONED ON REGISTRATION OF THE PRODUCT WITHIN 30 DAYS OF PURCHASE. If original purchasers do not register their product timely, the foregoing limited warranty will apply for a duration of three years for tools. All batteries and chargers will remain under the two-year limited warranty.

Notwithstanding the foregoing, if a SKIL consumer tool is used for industrial, professional or commercial purposes, the foregoing warranty will apply for a duration of ninety days, regardless of registration.

SELLER'S SOLE OBLIGATION AND YOUR EXCLUSIVE REMEDY under this Limited Warranty and, to the extent permitted by law, any warranty or condition implied by law, shall be the repair or replacement of parts, without charge, which are defective in material or workmanship and which have not been misused, carelessly handled, or repaired by persons other than Seller or Authorized Service Station. To make a claim under this Limited Warranty, you must return the complete product, transportation prepaid, to any SKIL Factory Service Center or Authorized Service Station. For Authorized SKIL Power Tool Service Stations, please visit www.Registemyskil.com or call 1-877-SKIL-999 (1-877-754-5999).

THIS LIMITED WARRANTY DOES NOT APPLY TO ACCESSORY ITEMS SUCH AS CIRCULAR SAW BLADES, DRILL BITS, ROUTER BITS, JIGSAW BLADES, SANDING BELTS, GRINDING WHEELS AND OTHER RELATED ITEMS.

ANY IMPLIED WARRANTIES APPLICABLE TO A PRODUCT SHALL BE LIMITED IN DURATION EQUAL TO THE DURATION OF THE EXPRESS WARRANTIES APPLICABLE TO SUCH PRODUCT, AS SET FORTH IN THE FIRST PARAGRAPH ABOVE. SOME STATES IN THE U.S., SOME CANADIAN PROVINCES DO NOT ALLOW LIMITATIONS ON HOW LONG AN IMPLIED WARRANTY LASTS, SO THE ABOVE LIMITATION MAY NOT APPLY TO YOU.

IN NO EVENT SHALL SELLER BE LIABLE FOR ANY INCIDENTAL OR CONSEQUENTIAL DAMAGES (INCLUDING BUT NOT LIMITED TO LIABILITY FOR LOSS OF PROFITS) ARISING FROM THE SALE OR USE OF THIS PRODUCT. SOME STATES IN THE U.S. AND SOME CANADIAN PROVINCES DO NOT ALLOW THE EXCLUSION OR LIMITATION OF INCIDENTAL OR CONSEQUENTIAL DAMAGES, SO THE ABOVE LIMITATION OR EXCLUSION MAY NOT APPLY TO YOU.

THIS LIMITED WARRANTY GIVES YOU SPECIFIC LEGAL RIGHTS, AND YOU MAY ALSO HAVE OTHER RIGHTS WHICH VARY FROM STATE TO STATE IN THE U.S., PROVINCE TO PROVINCE IN CANADA AND FROM COUNTRY TO COUNTRY.

THIS LIMITED WARRANTY APPLIES ONLY TO PRODUCTS SOLD WITHIN THE UNITED STATES OF AMERICA, CANADA AND THE COMMONWEALTH OF PUERTO RICO. FOR WARRANTY COVERAGE WITHIN OTHER COUNTRIES, CONTACT YOUR LOCAL SKIL DEALER OR IMPORTER.

© Chervon North America, 1203 E. Warrenville Rd, Naperville, IL 60563.

10/18

TABLE DES MATIÈRES

Avertissements de sécurité généraux relatifs aux outils électriques	26-28
Avertissements relatifs à la sécurité pour les scies circulaires	28-30
Symboles	31-34
Familiarisez-vous avec votre scie circulaire	35
Caractéristiques techniques	36
Mode d'emploi	37-47
Entretien	48
Dépannage	49
Garantie limitée de l'outil sans fil SKIL	50-51

⚠ AVERTISSEMENT

- La poussière créée pendant le ponçage, le sciage, le polissage, le perçage et d'autres activités liées à la construction peut contenir des produits chimiques reconnus par l'État de la Californie comme étant la cause de cancers, d'anomalies congénitales et d'autres problèmes liés aux fonctions reproductrices. Voici des exemples de ces produits chimiques :
 - Plomb provenant de peintures à base de plomb.
 - Silice cristallisée contenue dans les briques, le ciment et d'autres produits de maçonnerie.
 - Arsenic et chrome contenus dans le bois d'œuvre traité avec des produits chimiques.
- Les risques liés à l'exposition à ces produits varient selon le nombre de fois où vous pratiquez ces activités. Pour réduire votre exposition à ces produits chimiques :
 - travaillez dans un endroit bien ventilé;
 - munissez-vous de l'équipement de sécurité éprouvé tel que des masques antipoussières conçus spécialement pour filtrer les particules microscopiques;
 - évitez l'exposition prolongée à la poussière causée par le ponçage mécanique, le sciage, le polissage, le perçage et d'autres activités liées à la construction. Portez un équipement de protection et lavez à l'eau et au savon toutes les parties exposées. Les poussières pénétrant dans votre bouche ou dans vos yeux et les poussières se déposant sur votre peau peuvent causer l'absorption de produits chimiques dangereux.

AVERTISSEMENTS DE SÉCURITÉ GÉNÉRAUX RELATIFS AUX OUTILS ÉLECTRIQUES

⚠ AVERTISSEMENT Lisez tous les avertissements et toutes les instructions, illustrations et spécifications fournis avec cet outil électrique. Le non-respect des consignes de sécurité ci-dessous peut occasionner un choc électrique, un incendie ou des blessures graves.

CONSERVEZ TOUS LES AVERTISSEMENTS ET TOUTES LES INSTRUCTIONS AFIN DE POUVOIR LES CONSULTER ULTÉRIEUREMENT.

L'expression « outil électrique » utilisée dans les avertissements correspond aux outils électriques alimentés sur secteur (à fil) ou alimentés par piles (sans fil).

Mesures de sécurité dans l'aire de travail

Maintenez l'aire de travail propre et bien éclairée. Les aires de travail sombres et encombrées sont propices aux accidents.

N'utilisez pas d'outils électriques dans un endroit présentant un risque d'explosion, par exemple en présence de liquides, de gaz ou de poussières inflammables. Les outils électriques produisent des étincelles pouvant causer un incendie en raison de la poussière et des fumées.

Gardez les enfants et les autres personnes à l'écart lorsque vous utilisez un outil électrique. Une distraction peut vous faire perdre la maîtrise de l'outil.

Consignes de sécurité relatives à l'électricité

Les fiches des outils électriques doivent correspondre à la prise. Ne modifiez jamais la fiche de quelque façon que ce soit. N'utilisez pas d'adaptateur avec les outils électriques mis à la terre. L'utilisation de fiches non modifiées dans les prises compatibles réduit les risques de choc électrique.

Évitez de toucher à des surfaces mises à la terre, par exemple, un tuyau, un radiateur, une cuisinière ou un réfrigérateur. Le contact du corps avec une surface mise à la terre augmente les risques de choc électrique.

N'exposez pas les outils électriques à la pluie ni à tout environnement humide. L'infiltration d'eau dans un outil électrique augmente les risques de choc électrique.

N'utilisez pas le cordon d'alimentation de façon à l'endommager. Ne transportez jamais un outil électrique en le tenant par son cordon, et ne tirez jamais sur le cordon pour le débrancher. Tenez le cordon d'alimentation éloigné des sources de chaleur, de l'huile, des objets cou-pants et des pièces mobiles. Les risques de choc électrique sont plus élevés si le cordon d'alimentation est endommagé ou emmêlé.

Lorsque vous utilisez un outil électrique à l'extérieur, utilisez une rallonge conçue pour être utilisée à l'extérieur. Ce type de rallonge réduit les risques de choc électrique.

Si vous n'avez d'autre choix que d'utiliser un outil électrique dans un endroit humide, utilisez une alimentation protégée par un disjoncteur différentiel. L'utilisation d'un disjoncteur différentiel réduit les risques de choc électrique.

Sécurité personnelle

Soyez vigilant, prêtez attention à ce que vous faites et usez de votre jugement lorsque vous utilisez un outil électrique. N'utilisez pas un outil électrique lorsque vous êtes fatigué ou sous l'effet de drogues, d'alcool ou de médicaments. Un moment d'inattention lorsque vous utilisez des outils électriques peut occasionner des blessures graves.

Utilisez un équipement individuel de protection. Portez toujours des lunettes de sécurité. Le port d'équipement de protection, comme un masque antipoussières, des chaussures de sécurité antidérapantes, un casque de protection et des protecteurs auditifs, lorsque les conditions l'exigent, réduit les risques de blessures.

Prenez des mesures afin d'éviter que l'outil se mette en marche accidentellement. Assurez-vous que l'interrupteur est à la position d'arrêt avant de brancher l'outil sur une source d'alimentation ou un bloc-piles, de ramasser l'outil ou de le transporter. Transporter les outils électriques avec le doigt sur la gâchette ou brancher les outils lorsque l'interrupteur est à la position de marche augmente les risques d'accident.

Retirez toutes les clés de réglage de l'outil électrique avant de mettre celui-ci en marche. Une clé de réglage oubliée sur une pièce rotative de l'outil électrique peut occasionner des blessures graves.

Ne vous étirez pas pour étendre votre portée. Gardez une posture sécuritaire et un bon équilibre en tout temps. Cela vous permet de mieux maîtriser l'outil électrique lorsque des situations inattendues se présentent.

Habillez-vous convenablement. Ne portez pas de vêtements amples ni de bijoux. Gardez vos cheveux, vos vêtements et vos gants loin des pièces mobiles. Les vêtements amples, les bijoux et les cheveux longs risquent de se prendre dans les pièces en mouvement.

Si un dispositif permet de raccorder un dé-poussièreur, assurez-vous que celui-ci est branché et utilisé correctement. L'emploi d'un dépoussièreur contribue à réduire les dangers liés à la poussière.

Restez toujours sur vos gardes et suivez les principes de sécurité des outils, même s'il s'agit d'un outil que vous utilisez fréquemment. Il suffit d'être négligent une fraction de seconde pour se blesser gravement.

Utilisation et entretien d'un outil électrique

Ne forcez pas l'outil électrique. Utilisez l'outil électrique approprié à la tâche que vous sou-haitez accomplir. L'utilisation de l'outil élec-trique approprié permet d'obtenir de meilleurs résultats, de façon plus sécuritaire, selon le ré-gime de fonctionnement prévu.

N'utilisez pas l'outil électrique si l'interrupteur ne fonctionne pas. Tout outil électrique qui ne peut être commandé au moyen de l'interrupteur est dangereux et doit être réparé.

Débranchez la fiche de la prise ou retirez, si possible, le bloc-piles de l'outil électrique avant d'effectuer des réglages, de changer d'accessoire ou de le ranger. Ces mesures de sécurité pré-ventives réduisent les risques de mise en marche accidentelle de l'outil électrique.

Rangez les outils électriques inutilisés hors de la portée des enfants et ne laissez pas les personnes ne connaissant pas bien l'outil ou ces instruc-tions utiliser l'outil. Les outils électriques sont dangereux s'ils se retrouvent entre les mains d'utilisateurs qui ne savent pas s'en servir.

Entretenez vos outils électriques et vos acces-soires. Vérifiez les pièces mobiles pour vous assurer qu'elles ne sont pas désalignées, en-rayées, brisées, ou dans un état qui pourrait nuire à leur fonctionnement. Si l'outil électrique est endommagé, faites-le réparer avant de l'utiliser. De nombreux accidents sont provo-qués par des outils électriques mal entretenus.

Gardez vos outils tranchants affûtés et propres. Des outils tranchants bien entretenus dont les lames sont affûtées risquent moins de se bloquer et sont plus faciles à maîtriser.

Utilisez l'outil électrique, les accessoires, les embouts et les autres éléments conformément aux présentes instructions, en tenant compte des conditions de travail et du travail à effectuer. L'utilisation de l'outil électrique à des fins autres que celles pour lesquelles il a été conçu pourrait créer une situation dangereuse.

Gardez les poignées et les prises sèches, propres et exemptes d'huile et de graisse. Les poignées et autres surfaces de préhension glissantes ne permettent pas de manipuler ni de contrôler l'outil de façon sécuritaire en cas de situations inattendues.

Utilisation et entretien d'un outil alimenté par un bloc-piles

Rechargez uniquement le bloc-piles à l'aide du chargeur approuvé par le fabricant. Un chargeur conçu pour un type de bloc-piles peut causer un incendie s'il est utilisé avec un autre bloc-piles.

Utilisez les outils électriques uniquement avec les blocs-piles qui leur sont destinés. L'utilisation de tout autre bloc-piles peut constituer un risque de blessure et d'incendie.

Lorsque vous n'utilisez pas le bloc-piles, conservez-le à l'écart d'autres objets métalliques, comme des trombones, des pièces de monnaie, des clés, des clous, des vis et d'autres petits objets métalliques qui peuvent connecter une borne à une autre. Un court-circuit entre les bornes du bloc-piles peut occasionner des brûlures et un incendie.

En cas d'usage abusif, du liquide peut s'échapper des piles; évitez tout contact avec celui-ci. En cas de contact accidentel, rincez à grande eau. En cas de contact avec les yeux, consultez un médecin. Le liquide provenant des piles peut causer de l'irritation ou des brûlures.

N'utilisez pas un bloc-piles ou un outil endommagé ou modifié. Les blocs-piles modifiés ou endommagés peuvent fonctionner de façon imprévisible et représenter un risque d'incendie, d'explosion ou de blessures.

N'exposez pas un bloc-piles ou un outil à un feu ou à une température excessive. L'exposition au feu ou à une température supérieure à 129,4 °C peut provoquer une explosion.

Suivez toutes les instructions pour le chargement et ne chargez pas le bloc-piles ou l'appareil en dehors de la plage de température spécifiée dans les instructions. Une recharge inadéquate ou effectuée à des températures en dehors de la plage spécifiée peut endommager le bloc-piles et augmenter le risque d'incendie.


Entretien

Demandez à un technicien qualifié qui utilise seulement des pièces de rechange identiques aux pièces d'origine d'effectuer l'entretien de votre outil électrique. Vous vous assurez ainsi de respecter les consignes de sécurité de l'outil électrique.

Ne réparez jamais un bloc-piles endommagé. Seuls le fabricant et les fournisseurs de services autorisés peuvent effectuer la réparation d'un bloc-piles.

CONSIGNES DE SÉCURITÉ SUPPLÉMENTAIRES POUR LES SCIES CIRCULAIRES

Procédures de coupe

 DANGER Gardez les mains à une distance suffisante de la zone de coupe et de la lame. Maintenez votre autre main sur la poignée auxiliaire ou sur le boîtier du moteur. Si vos deux mains tiennent la scie, elles ne peuvent pas être coupées par la lame.

Ne tendez jamais le bras en dessous de l'ouvrage. Le dispositif de protection ne peut pas vous protéger contre la lame en dessous de l'ouvrage.

Réglez la profondeur de coupe en fonction de l'épaisseur de l'ouvrage. Moins d'une dent pleine de la lame doit être visible en dessous de l'ouvrage.

Ne tenez jamais l'ouvrage dans vos mains ou sur vos jambes pendant la coupe.

Sécurisez l'ouvrage sur une plateforme stable. Il est important de soutenir l'ouvrage correctement pour minimiser l'exposition du corps, le coincement de la lame ou la perte de contrôle.

Tenez l'outil électrique par ses surfaces de préhension isolées lorsque vous effectuez une opération dans le cadre de laquelle l'outil de coupe risque d'entrer en contact avec un fil caché. L'entrée en contact d'un outil de coupe avec un fil sous tension pourrait rendre conductrices des parties en métal exposées de l'outil électrique et causer un choc électrique à l'opérateur.

Lors d'une coupe en long, utilisez toujours un guide de refente ou un guide droit. Ceci améliore la précision de la coupe et réduit le risque de coincement de la lame.

Utilisez toujours des lames de scie avec des trous d'arbre de taille et de forme appropriées (diamantés plutôt que ronds). Les lames de scie qui ne correspondent pas au matériel de fixation de la scie se décentreront et causeront une perte de contrôle.

N'utilisez jamais de rondelles de lame ou de boulon endommagés ou incorrects. Les rondelles de lame et le boulon ont été spécialement conçus pour votre scie, pour assurer des performances optimales et la sécurité du fonctionnement.

Causes des effets de rebond et avertissements associés

- L'effet de rebond est une réaction soudaine à une lame de scie pincée, coincée ou mal alignée, provoquant le soulèvement et le retrait d'une scie non contrôlés depuis l'ouvrage en direction de l'opérateur ;
- lorsque la lame est pincée ou coincée par la fermeture du trait de coupe, la lame se bloque et la réaction du moteur dirige rapidement l'outil vers l'opérateur ;
- Si la lame devient tordue ou mal alignée dans la coupe, les dents du bord arrière de la lame peuvent pénétrer dans la surface supérieure du bois, ce qui a pour conséquence que la lame sort du trait de coupe et se dirige vers l'opérateur.

Le rebond est la conséquence d'une utilisation incorrecte de la scie et/ou de conditions inappropriées ou de procédures opérationnelles incorrectes ; il peut être évité en prenant des précautions appropriées, comme cela est indiqué ci-dessous.

Maintenez une prise ferme avec les deux mains sur la scie, et positionnez vos bras pour résister aux forces de l'effet de rebond. Placez votre corps de l'un quelconque des côtés de la lame, mais pas de manière qu'il soit aligné sur la trajectoire de la lame. L'effet de rebond pourrait faire reculer très vite la scie, mais l'opérateur peut contrôler les forces de l'effet de rebond si les précautions nécessaires sont prises.

Lorsque la lame se coince ou lorsque vous interrompez une coupe pour une raison quelconque, relâchez la gâchette et maintenez la scie immobile dans le matériau jusqu'à ce que la lame se soit complètement arrêtée. N'essayez jamais de retirer la scie de l'ouvrage ou de tirer la scie vers l'arrière lorsque la lame est en mouvement, sans quoi un effet de rebond pourrait se produire. Inspectez la scie et prenez les mesures qui s'imposent pour éliminer la cause du blocage de la lame

Lorsque vous remettez une scie dont la lame est engagée dans un ouvrage en marche, centrez la lame de la scie sur le trait de coupe de manière que les dents de la scie ne soient pas engagées dans le matériau. Si une lame de scie se coince, elle risque de remonter ou de rebondir hors de l'ouvrage lorsque la scie est remise en marche.

Soutenez les grands panneaux pour minimiser les risques de pincement de la lame de la scie et de choc en retour. Les grands panneaux ont tendance à s'affaisser sous leur propre poids. Les supports doivent être placés sous le panneau des deux côtés, près de la ligne de coupe et près du bord du panneau.

N'utilisez jamais de lames émoussées ou endommagées. Les lames mal affûtées ou mal réglées produisent un trait de coupe étroit provoquant un frottement excessif, le coincement de la lame et un effet de rebond.

Les leviers de verrouillage de la profondeur de la lame et du réglage du biseau doivent être serrés et sécurisés avant de procéder à la coupe. Si le réglage de la lame change pendant la coupe, cela peut provoquer un coincement et un effet de rebond.

Faites particulièrement attention lorsque vous sciez des murs existants ou d'autres structures sans visibilité. La lame saillante risquerait de couper des objets pouvant causer un effet de rebond.

Fonction du dispositif de protection inférieur

Inspectez le dispositif de protection inférieur de la lame pour vous assurer qu'il se ferme complètement avant chaque utilisation. N'utilisez pas la scie si le dispositif de protection inférieur de la lame ne se déplace pas librement et ne se ferme pas instantanément. N'immobilisez jamais (que ce soit par une bride ou un fil quelconque) le dispositif de protection de la lame en position ouverte. Si vous avez laissé tomber la scie accidentellement, il se peut que le dispositif de protection inférieur soit tordu. Soulevez le dispositif de protection inférieur avec la poignée rétractable et assurez-vous qu'il bouge librement et ne touche pas la lame ou toute autre pièce, à tous les angles et à toutes les profondeurs de la coupe.

Vérifiez le fonctionnement du ressort du dispositif de protection inférieur. Si le dispositif de protection et le ressort ne fonctionnent pas correctement, ils doivent être réparés avant toute nouvelle utilisation. Le dispositif de protection inférieur risque de fonctionner lentement à cause de pièces endommagées, de dépôts de gomme ou d'une accumulation de débris.

Le dispositif de protection inférieur ne peut être rétracté manuellement que pour des coupes spéciales telles que les « coupes plongeantes » et les « coupes composées ». Soulevez le dispositif de protection inférieur par la poignée rétractable et, dès que la lame pénètre dans le matériau, le dispositif de protection inférieur doit être relâché. Pour toutes les autres opérations de sciage, le dispositif de protection inférieur doit pouvoir fonctionner automatiquement.





Vérifiez toujours que le dispositif de protection inférieur couvre la lame avant de poser la scie sur un banc ou sur le sol. Une lame sans protection et en roue libre fera reculer la scie, coupant tout ce qui est sur son passage. Soyez au courant du temps qui est nécessaire pour que la lame s'arrête après le relâchement de l'interrupteur.

SYMBOLES

Symboles de sécurité

L'objectif des symboles de sécurité est d'attirer votre attention sur les dangers potentiels. Vous devez examiner attentivement et bien comprendre les symboles de sécurité et les explications qui les accompagnent. Les symboles d'avertissement en tant que tels n'éliminent pas le danger. Les consignes et les avertissements qui y sont associés ne remplacent en aucun cas des mesures préventives adéquates.

⚠ AVERTISSEMENT Avant d'utiliser cet outil, assurez-vous de lire et de comprendre toutes les consignes de sécurité présentées dans le présent guide d'utilisation, notamment toutes les consignes de sécurité indiquées par les mentions « DANGER », « AVERTISSEMENT » et « MISE EN GARDE ». Le non-respect des consignes qui suivent peut entraîner un choc électrique, un incendie ou des blessures graves.

Les définitions ci-dessous décrivent le degré de gravité pour chaque mot-indicateur. Veuillez lire ce manuel et prêter attention à ces symboles.	
	Voici le pictogramme d'alerte de sécurité. Il sert à vous indiquer les risques potentiels de blessures. Respectez toutes les consignes de sécurité associées à ce pictogramme pour éviter les risques de blessures ou de mort.
	La mention DANGER indique un danger imminent qui, s'il n'est pas évité, causera des blessures graves ou la mort.
	La mention AVERTISSEMENT indique un risque pouvant entraîner des blessures graves ou la mort s'il n'est pas prévenu.
	La mention ATTENTION, utilisée avec le symbole d'alerte de sécurité, indique un risque potentiel qui, s'il n'est pas éliminé, provoquera des blessures mineures ou moyennement graves.

Messages d'information et de prévention des dommages

Ces messages fournissent à l'utilisateur de l'information et des consignes importantes. Les ignorer pourrait occasionner des dommages à l'équipement ou d'autres dommages matériels. Chaque message est précédé du mot « AVIS », comme dans l'exemple ci-dessous :








AVIS : Ne pas suivre ces consignes pourrait occasionner des dommages à l'équipement ou d'autres dommages matériels.







⚠ AVERTISSEMENT L'utilisation de tout outil électrique peut entraîner la projection de corps étrangers dans les yeux et ainsi causer des lésions oculaires graves. Avant d'utiliser un outil électrique, veuillez à toujours porter des lunettes de sécurité étanches ou à écrans latéraux, ou un masque de protection complet au besoin. Nous recommandons le port d'un masque de sécurité panoramique par-dessus les lunettes ou de lunettes de sécurité standard avec écrans latéraux. Portez toujours des protecteurs oculaires conformes à la norme ANSI Z87.1.

SYMBOLES (SUITE)








IMPORTANT : Les symboles suivants peuvent figurer sur votre outil. Familiarisez-vous avec eux et apprenez leur signification. En comprenant ces symboles, vous serez en mesure de faire fonctionner cet outil de façon adéquate et sécuritaire.

Symbole	Nom	Forme au long et explication
V	Volts	Tension (possible)
A	Ampères	Courant
Hz	Hertz	Fréquence (cycles par seconde)
W	Watt	Puissance
kg	Kilogrammes	Poids
min	Minutes	Durée
s	Secondes	Durée
Wh	Watheures	Capacité de la pile
Ah	Ampères-heures	Capacité de la pile
Ø	Diamètre	Taille des forets, des meules, etc.
n_0	Vitesse à vide	Vitesse de rotation à vide
n	Vitesse nominale	Vitesse maximale atteignable
.../min	Tours ou va-et-vient par minute	Tours, coups, vitesse périphérique, orbites, etc., par minute
0	Position d'arrêt	Vitesse nulle, couple nul...
1,2,3,... I,II,III,	Réglages du sélecteur	Réglages de la vitesse, du couple ou de la position. Plus le nombre est élevé, plus la vitesse est grande.
	Sélecteur à réglage continu avec mode d'arrêt	La vitesse augmente à partir du réglage 0
	Flèche	L'activation se fait dans le sens de la flèche
	Courant alternatif	Type de courant ou caractéristique de courant
	Courant continu	Type de courant ou caractéristique de courant
	Courant alternatif ou continu	Type de courant ou caractéristique de courant
	Appareil de classe II	Désigne les outils de construction à double isolation
	Borne de mise à la terre	Borne de mise à la terre

Symbole	Nom	Forme au long et explication
	<p>Label du programme de recyclage des piles au lithium-ion de la RBRC</p>	<p>Désigne le programme de recyclage des piles au lithium-ion</p>
	<p>Label du programme de recyclage des piles au nickel-cadmium de la RBRC</p>	<p>Désigne le programme de recyclage des piles au nickel-cadmium</p>
	<p>Symbole de lecture du manuel</p>	<p>Invite l'utilisateur à lire le manuel</p>
	<p>Symbole du port de lunettes de sécurité</p>	<p>Lorsque vous utilisez cet article, portez toujours des lunettes de sécurité étanches ou à écrans latéraux, ou un masque de protection complet.</p>

SYMBOLES (RENSEIGNEMENTS EN MATIÈRE D'HOMOLOGATION)

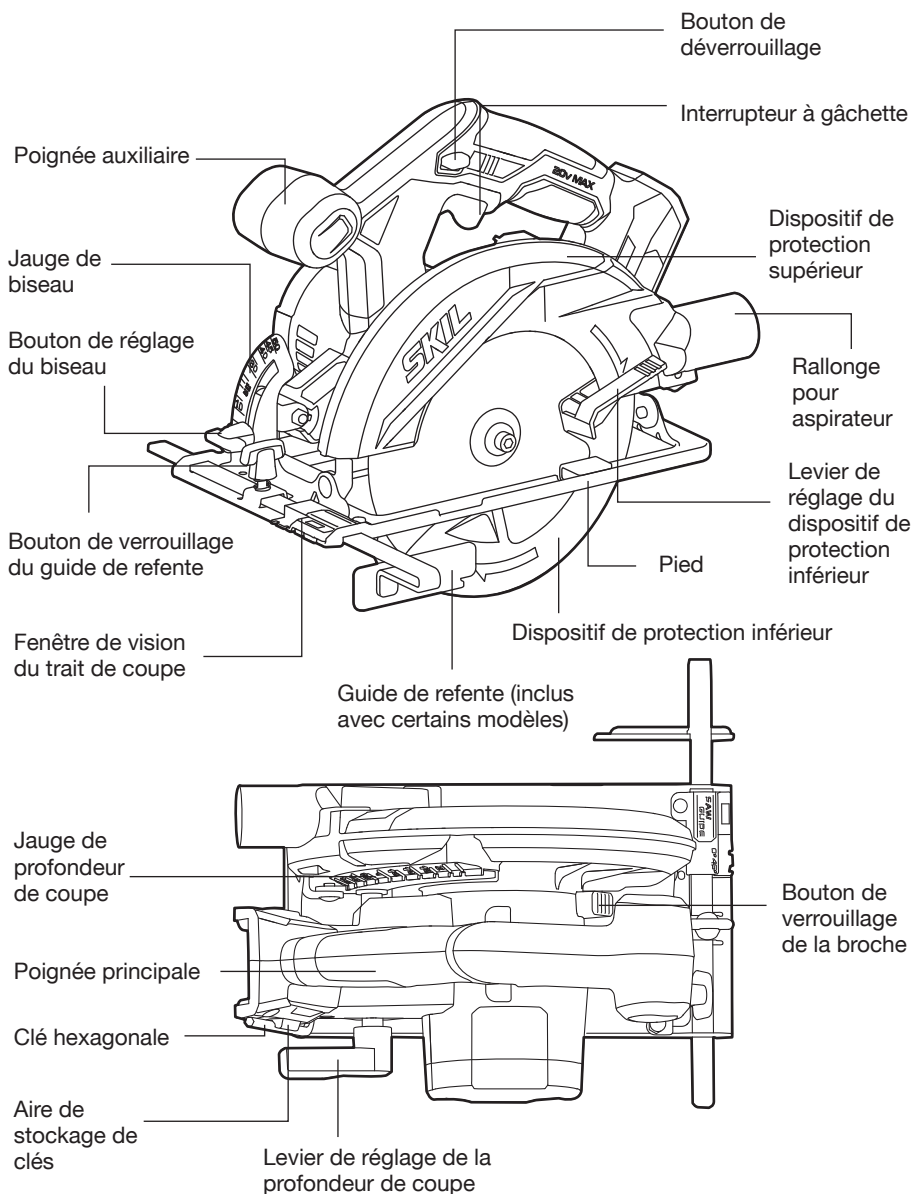
IMPORTANT : Certains des symboles suivants, qui fournissent des renseignements en matière d'homologation, peuvent figurer sur l'outil. Familiarisez-vous avec eux et apprenez leur signification. En comprenant ces symboles, vous serez en mesure de faire fonctionner cet outil de façon adéquate et sécuritaire.

Symbole	Forme au long et explication
	Ce symbole indique que cet outil est répertorié par Underwriters Laboratories.
	Ce symbole indique que cet outil est reconnu par Underwriters Laboratories.
	Ce symbole indique que cet outil est répertorié par Underwriters Laboratories et qu'il est conforme aux normes américaines et canadiennes.
	Ce symbole indique que cet outil est répertorié par l'Association canadienne de normalisation.
	Ce symbole indique que cet outil est répertorié par l'Association canadienne de normalisation et qu'il est conforme aux normes américaines et canadiennes.
	Ce symbole indique que cet outil est répertorié par Intertek Testing et qu'il est conforme aux normes américaines et canadiennes.
	Ce symbole indique que cet outil est conforme aux normes mexicaines officielles (NOM).

FAMILIARISEZ-VOUS AVEC VOTRE SCIE CIRCULAIRE

Scie circulaire de 20 V 6-1/2 po

Fig. 1



CARACTÉRISTIQUES TECHNIQUES

Tension nominale	20 V c.c.
Vitesse à vide	4 500 / min
Diamètre de la lame	165 mm (6-1/2 po)
Arbre de la lame	16 mm (5/8 po)
Profondeur de coupe à 90°	54 mm (2-1/8 po)
Profondeur de coupe à 45°	44,5 mm (1-3/4 po)
Plage de biseaux	0°-50°
Température de fonctionnement recommandée	de -10 °C à environ 40 °C (de 14 °F à environ 104 °F)
Température de rangement recommandée	de 0 °C à environ 40 °C (de 32 °F à environ 104 °F)

MODE D'EMPLOI

⚠ AVERTISSEMENT Pour réduire les risques d'incendie, de blessures corporelles et de détérioration de l'outil découlant d'un court-circuit, ne plongez jamais l'outil, le bloc-piles ou le chargeur dans un liquide et ne laissez aucun liquide s'écouler sur ceux-ci. Les liquides corrosifs ou conducteurs, tels que l'eau de mer, certains produits chimiques industriels, l'eau de javel, les produits contenant de l'eau de Javel, etc., peuvent causer un court-circuit..

⚠ AVERTISSEMENT S'il y a des pièces manquantes ou endommagées, ne tentez pas d'utiliser l'article tant que ces pièces n'auront pas été remplacées. L'utilisation de cet article avec des pièces endommagées ou manquantes peut causer des blessures graves..

⚠ AVERTISSEMENT Ne tentez pas de modifier cet outil ou de créer des accessoires qui ne sont pas recommandés pour cet outil. Toute modification est considérée comme un usage inapproprié et peut créer une situation dangereuse susceptible d'entraîner des blessures graves.

⚠ AVERTISSEMENT Pour empêcher une mise en marche accidentelle pouvant causer des blessures graves, retirez toujours le bloc-piles de l'outil avant d'assembler des pièces.

Utilisez cette scie sauteuse sans fil uniquement avec les blocs-piles et les chargeurs indiqués ci-dessous :

Bloc-piles			Chargeur
2Ah	4Ah	5Ah	
SKIL BY519701	SKIL BY519601	SKIL BY519603	SKIL SC535801

AVIS : Veuillez consulter les manuels relatifs aux blocs-piles et aux chargeurs pour plus de détails sur leur utilisation.

Pour attacher/détacher le bloc-piles (Fig. 2)

Pour attacher le bloc-piles :

Alignez la nervure surélevée du bloc-piles sur les rainures de l'outil, puis faites glisser le bloc-piles sur l'outil.

REMARQUE : Assurez-vous que le loquet du bloc-piles est bien en place et que le bloc-piles est bien assujéti à l'outil avant de commencer à l'utiliser.

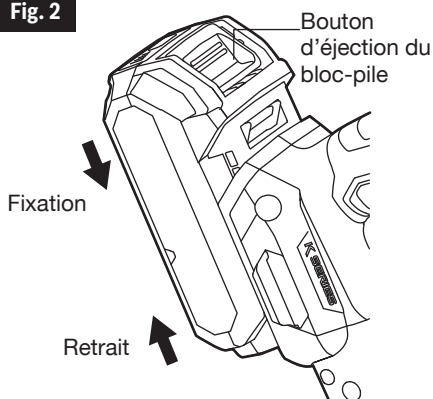
Retrait du bloc-piles :

Appuyez sur le bouton d'éjection situé à l'avant du bloc-piles pour dégager ce dernier. Tirez le bloc-piles pour le retirer de l'outil (fig. 3).

AVIS : Lorsque vous insérez le bloc-piles dans l'outil, assurez-vous que les nervures du bloc-piles sont alignées sur les rainures de l'outil et que le verrou s'enclenche correctement. Une mauvaise installation du bloc-piles peut endommager des composants internes.

⚠ AVERTISSEMENT Les outils alimentés par des piles sont toujours prêts à fonctionner. Par conséquent, retirez la pile lorsque l'outil n'est pas utilisé ou lorsque vous le transportez à vos côtés.

Fig. 2



Pour attacher la lame (Fig. 3)

⚠ AVERTISSEMENT Détachez le bloc-piles de l'outil avant de procéder à son assemblage, à des réglages ou à des changements d'accessoires. De telles mesures de sécurité préventives réduisent le risque de démarrage accidentel de l'outil.

⚠ AVERTISSEMENT Cet outil n'est utilisé que pour couper du bois. N'utilisez que les lames de scie indiquées pour les opérations de coupe de bois. N'utilisez pas de meules abrasives.

⚠ AVERTISSEMENT Utilisez seulement une lame de scie de 6-1/2 po conçue pour tourner à une vitesse de 4 500 tr/min ou plus. N'utilisez JAMAIS une lame tellement épaisse qu'elle empêche la rondelle de lame extérieure de s'engager avec le côté plat de la broche. L'utilisation d'une lame qui n'est pas conçue pour cette scie pourrait causer des blessures graves et des dommages matériels.

⚠ AVERTISSEMENT Portez toujours des gants de protection lorsque vous manipulez une lame de scie. La lame peut blesser des mains non protégés.

a. Appuyez sur le bouton de verrouillage de la broche et tournez la clé hexagonale jusqu'à ce que le bouton de verrouillage de la broche s'enclenche. L'arbre de la scie est désormais verrouillé. Continuez à appuyer sur le bouton de verrouillage de la broche, tournez la clé hexagonale dans le sens des aiguilles d'une montre et retirez le boulon de fixation de la lame et la rondelle extérieure.

⚠ AVERTISSEMENT N'appuyez sur le bouton de verrouillage de la broche que lorsque l'outil est à l'arrêt.

b. Assurez-vous que les dents de la scie et la flèche sur la lame sont orientées dans la même direction que la flèche située sur le dispositif de protection inférieur.

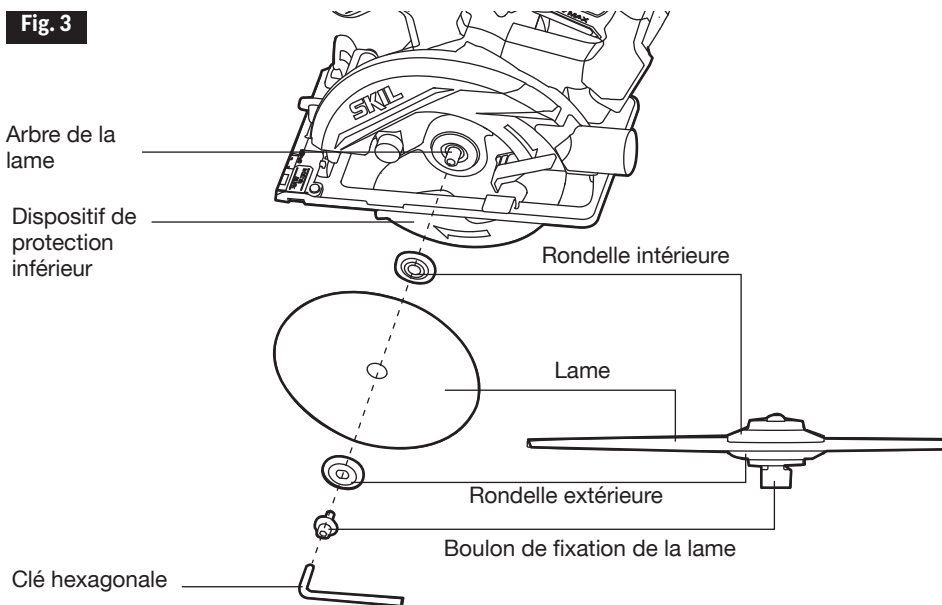
c. Rétractez le dispositif de protection inférieur en le poussant complètement vers le haut dans le dispositif de protection supérieur. Tout en rétractant le dispositif de protection inférieur, vérifiez le fonctionnement et l'état du système de protection inférieur.

d. Faites glisser la lame dans la fente du pied et montez-la contre la rondelle intérieure de l'arbre. Assurez-vous que les surfaces de fixation des rondelles intérieure et extérieure sont bien au ras de la lame.

⚠ AVERTISSEMENT Assurez-vous que les surfaces de fixation des rondelles intérieure et extérieure sont parfaitement propres et font face à la lame.

e. Réinstallez la rondelle extérieure. Serrez d'abord le boulon de fixation de la lame à la main, puis serrer le boulon de 1/8 de tour (45°) avec la clé hexagonale (ceci assure le glissement de la lame lorsqu'elle rencontre une résistance excessive, réduisant ainsi la surcharge du moteur et l'effet de rebond de la lame).

Fig. 3

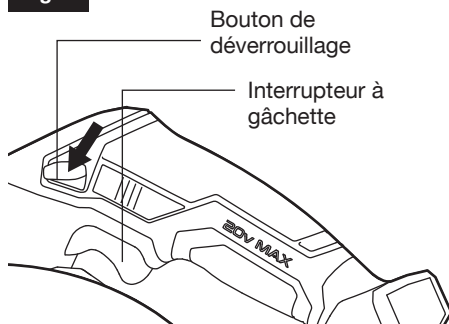


Bouton de déverrouillage (Fig. 4)

Le bouton de déverrouillage est situé sur la poignée au-dessus de l'interrupteur à gâchette. Il réduit le risque de démarrage accidentel pour accroître la protection des personnes se trouvant à proximité.

Le bouton de verrouillage doit être enfoncé avant de tirer sur l'interrupteur à gâchette.

Fig. 4



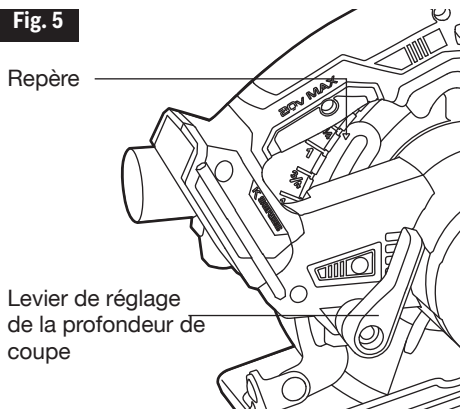
Réglage de la profondeur de coupe (Fig. 5)

Le levier de réglage de la profondeur de coupe est situé à côté de la poignée principale.

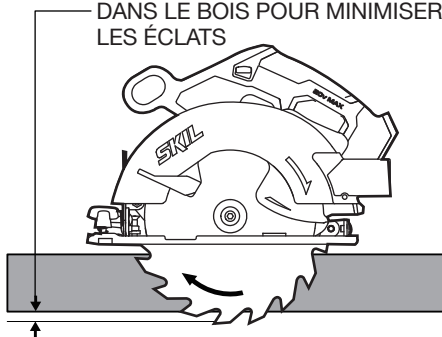
- Détachez le bloc-piles de l'outil.
- Desserrez le levier de réglage de la profondeur de coupe.
- Tenez le pied de la scie à plat contre le bord de l'ouvrage, puis soulevez ou abaissez la scie jusqu'à ce que le repère de l'indicateur de profondeur de coupe s'aligne avec le repère de profondeur de coupe souhaité.
- Serrez fermement le levier de réglage de la profondeur de coupe à la profondeur de coupe souhaitée.

REMARQUE : Vérifiez le réglage de la profondeur de coupe. Il ne faut pas dépasser une longueur de dent de la lame en dessous du matériau à couper pour minimiser les éclats.

Fig. 5



SEULEMENT UNE LONGUEUR D'UNE DENT DOIT PÉNÉTRER DANS LE BOIS POUR MINIMISER LES ÉCLATS

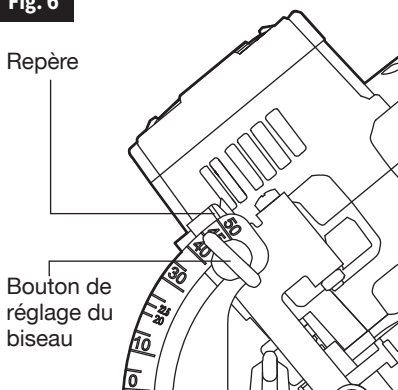


Réglage du biseau (Fig. 6)

Le bouton de réglage du biseau permet d'ajuster l'angle de coupe.

- Détachez le bloc-piles de l'outil.
- Desserrez le bouton de réglage du biseau en faisant tourner le bouton dans le sens contraire des aiguilles d'une montre.
- Inclinez le pied jusqu'à ce que l'indicateur de biseau atteigne le réglage souhaité sur la jauge de biseau.
- Serrez fermement le bouton de réglage du biseau en faisant tourner le bouton dans le sens des aiguilles d'une montre.

Fig. 6



⚠ AVERTISSEMENT Le fait de tenter de faire des coupes en biseau sans serrer fermement au préalable le bouton de réglage du biseau peut entraîner des blessures graves.

⚠ AVERTISSEMENT En raison de l'augmentation de l'engagement de la lame dans l'ouvrage pendant la coupe en biseau et de la stabilité réduite du pied, la lame risque de se coincer. Maintenez la scie stable et le pied fermement sur l'ouvrage.

REMARQUE : Lors d'une coupe en biseau, la profondeur de coupe ne correspond pas à la valeur indiquée sur le repère de profondeur de coupe.

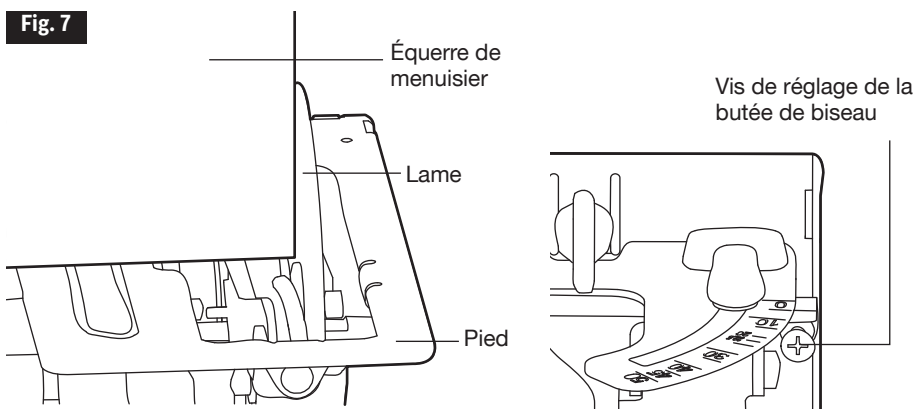
REMARQUE : Étant donné que les épaisseurs des lames varient et que des angles différents requièrent des réglages différents, effectuez toujours une coupe d'essai dans des matériaux de rebut le long d'une ligne directrice pour déterminer combien vous devez décaler la ligne directrice sur l'ouvrage à couper.

Vérification et réglage du biseau à 0° (Fig. 7)

Votre outil a une butée de biseau de 0° qui a été ajustée avant l'expédition pour assurer que la lame est verticale par rapport au pied à une coupe en biseau de 0°.

Vérification et réglage à un angle de biseau de 0° :

- Détachez le bloc-piles de l'outil.
- Régalez le pied sur le repère de profondeur de coupe maximum. Desserrez le bouton de réglage du biseau, réglez la scie sur un angle de biseau de 0° sur la jauge de biseau et resserrez le bouton de réglage du biseau.
- Retournez la scie sens dessus-dessous et placez-la sur une surface stable. Vérifiez qu'il y a un angle de 90° entre la lame et le dessous du pied avec une équerre.
- Si un réglage est nécessaire, desserrez le bouton de réglage du biseau. Placez la scie dans une position sens dessus-dessous sur une table de travail. Utilisez un tournevis cruciforme pour tourner la vis de réglage de la butée de biseau à 0° jusqu'à ce que le pied soit perpendiculaire à la lame de scie.



Fenêtre de vision du trait de coupe (Fig. 8)

Pour une coupe à 0°, alignez votre ligne de coupe sur l'encoche gauche du pied au niveau du repère de 0°.

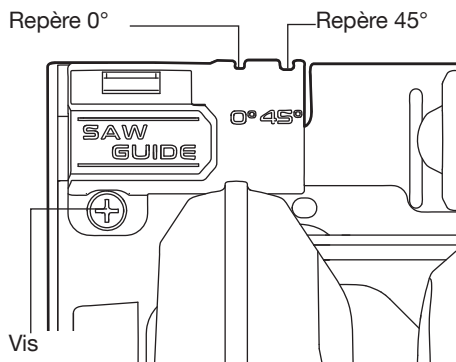
Pour une coupe en biseau à 45°, alignez votre ligne de coupe sur l'encoche droite du pied au niveau du repère de 45°.

La fenêtre de vision du trait de coupe peut également être réglée en desserrant la vis et en réalignant la fenêtre selon vos besoins.

La fenêtre de vision du trait de coupe produira une vue approximative du trait de coupe.

Faites des coupes d'essai dans des rebuts de bois de sciage pour vérifier la ligne de coupe réelle. Ceci sera utile en raison du nombre de types différents de lames et d'épaisseurs disponibles. Pour réduire au minimum les éclats du bon côté du matériau à couper, orientez le bon côté vers le bas.

Fig. 8



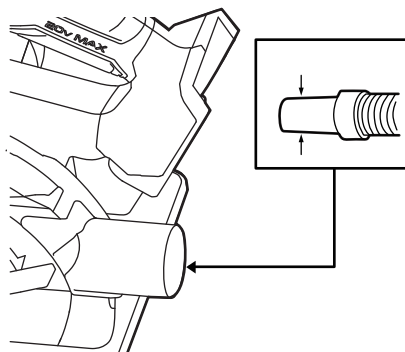
Rallonge pour aspirateur (Fig. 9)

Votre outil est équipé d'une rallonge (Ø 1-1/4 po) pour le connecter un aspirateur.

Choisissez un tuyau flexible d'aspirateur approprié ou utilisez un adaptateur si nécessaire.

⚠ AVERTISSEMENT Ne laissez jamais un tuyau d'aspirateur interférer avec le dispositif de protection inférieur ou avec l'opération de coupe.

Fig. 9



Lampe à DEL (Fig. 10)

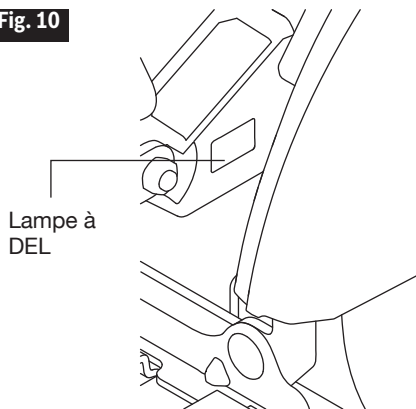
Une lampe d'éclairage à DEL est située derrière le dispositif de protection supérieur.

Elle fournit une lumière supplémentaire sur la lame de scie et la surface de l'ouvrage à usiner pour permettre une utilisation dans des zones faiblement éclairées.

La lampe à DEL s'allume automatiquement en appuyant légèrement sur le commutateur de déclenchement à vitesse variable avant que l'outil ne commence à fonctionner. Elle s'éteindra de 8 à 12 secondes après le relâchement de l'interrupteur à gâchette à vitesse variable.

Si l'outil et/ou le bloc-piles sont surchargés ou trop chauds, les capteurs internes éteignent l'outil et la lampe à DEL clignote rapidement. Reposez l'outil pendant un moment ou placez le bloc-piles séparément sous un flux d'air pour le refroidissement.

Fig. 10



Coupe avec la scie circulaire (Fig. 11)

Reportez-vous aux figures de cette section pour connaître les méthodes correctes et incorrectes de manipulation de la scie.

⚠ AVERTISSEMENT

- **Pour rendre le sciage plus facile et plus sûr, maintenez toujours un bon contrôle sur la scie. La perte de contrôle peut provoquer un accident entraînant des blessures graves.**
- **Maintenez une prise ferme et actionnez l'interrupteur à gâchette d'une manière décisive. Ne forcez jamais la scie. Appliquez continuellement une légère pression.**
- **Lorsque vous retirez la scie de l'ouvrage, la lame est exposée sur la face inférieure de la scie jusqu'à ce que le dispositif de protection inférieur de la lame se ferme. Assurez-vous que le dispositif de protection inférieur de la lame est fermé avant de poser la scie.**

Pour faire la coupe la plus sûre et la meilleure possible, suivez ces conseils utiles:

- a. Tenez la scie fermement des deux mains.
- b. Évitez de placer votre main sur l'ouvrage pendant une coupe.
- c. Soutenez l'ouvrage de sorte que la coupe soit toujours du côté de l'opérateur et non pas directement aligné vers le corps de l'opérateur.
- d. Soutenez l'ouvrage à proximité de la partie à couper.
- e. Fixez fermement l'ouvrage afin qu'il ne bouge pas pendant la coupe.
- f. Placez toujours la scie sur la partie de l'ouvrage qui est soutenue et non sur la partie qui doit être coupée.
- g. Placez l'ouvrage de telle manière que le « bon » côté soit en bas.
- h. Tracez une ligne directrice le long du trait de coupe désiré avant de commencer à couper.
- i. Reposez le bord avant du pied sur l'ouvrage sans mettre la lame en contact avec l'ouvrage.
- j. Appuyez sur l'interrupteur à gâchette pour mettre la scie en marche.
- k. Laissez la lame atteindre sa vitesse maximale, puis guidez la scie dans l'ouvrage et effectuez la coupe.

l. Relâchez l'interrupteur à gâchette et laissez la lame s'arrêter complètement.

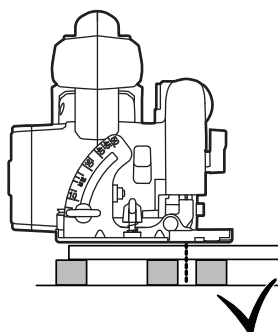
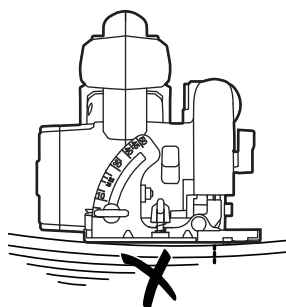
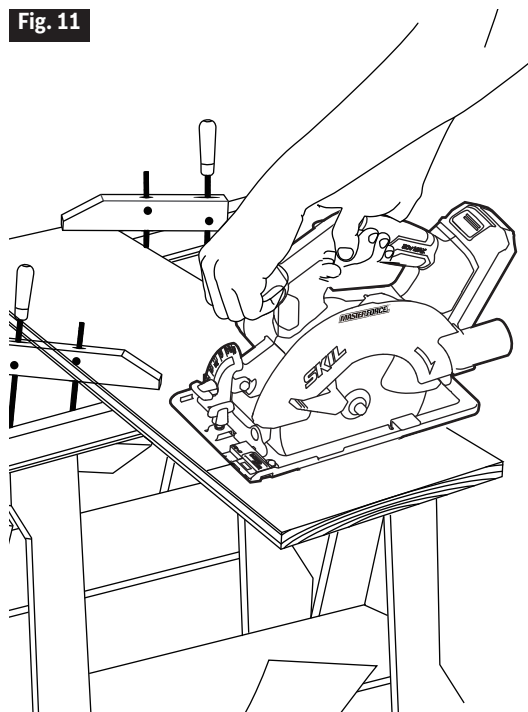
m. Soulevez la scie pour la détacher de l'ouvrage.

REMARQUE : Faites attention de ne pas coincer la lame dans l'orifice de coupe.

En cas d'interruption de la coupe, pour reprendre la coupe ensuite : comprimez la gâchette de l'interrupteur et laissez la lame atteindre son plein régime, puis remettez lentement la lame dans l'ouvrage à l'endroit où elle était auparavant et recommencez à couper.

En cas de coupe contre le grain, les fibres du bois ont tendance à se déchirer et à se soulever. Si vous faites avancer la scie lentement, vous minimiserez cet effet.

Fig. 11



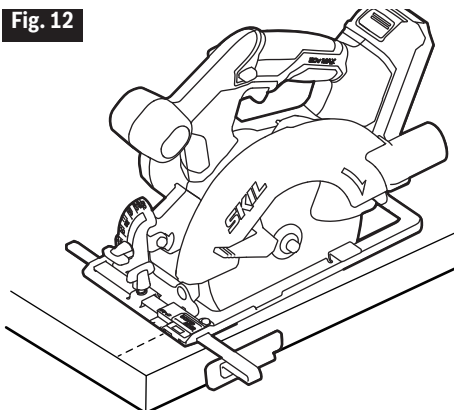
Coupe transversale / coupe en long (Fig. 12)

Lorsque vous effectuez une coupe transversale ou une coupe en long, alignez la ligne directrice sur l'encoche correspondant au repère à 0° sur le pied. La distance entre la lame de scie et la base de la scie est d'environ 35 mm (1-3/8 po) sur le côté gauche de la scie et de 105 mm (4-1/16 po) sur la droite.

Étant donné que les épaisseurs des lames varient, vous devez toujours effectuer une coupe d'essai dans des matériaux de rebut le long d'une ligne directrice afin de déterminer de combien la ligne directrice doit être décalée par rapport au guide pour produire une coupe précise.

REMARQUE : Utilisez un guide lorsque vous effectuez une coupe en long ou une coupe de refente large.

Fig. 12



Coupe de refente en utilisant une équerre (Fig. 13)

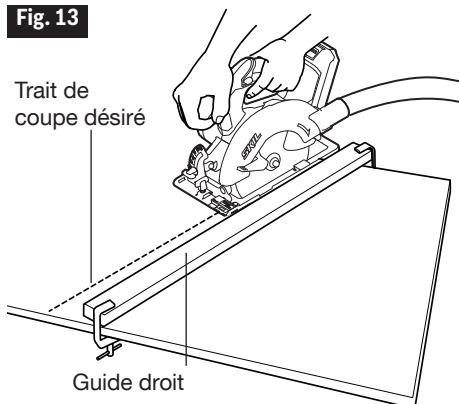
- a. Sécurisez l'ouvrage.
- b. Fixez un guide droit sur l'ouvrage à l'aide de serre-joints en forme de C (non fournis).

REMARQUE : Positionnez les serre-joints en forme de C afin qu'ils n'interfèrent pas avec le boîtier de la scie pendant la coupe.

- c. Reposez le bord avant du pied sur l'ouvrage sans mettre la lame en contact avec l'ouvrage.
- d. Appuyez sur l'interrupteur à gâchette pour mettre la scie en marche.
- e. Laissez la lame atteindre sa vitesse maximale, puis guidez la scie dans l'ouvrage et effectuez la coupe.
- f. Sciez le long du guide droit pour effectuer une coupe en long droite.
- g. Relâchez l'interrupteur à gâchette et laissez la lame s'arrêter complètement.
- h. Soulevez la scie pour la détacher de l'ouvrage.

REMARQUE : Faites attention de ne pas coincer la lame dans l'orifice de coupe.

Fig. 13



⚠ MISE EN GARDE

Assurez-vous toujours qu'aucune de vos mains n'interfère avec le mouvement libre du dispositif de protection inférieur.

⚠ MISE EN GARDE

Après avoir terminé une coupe et relâché la gâchette, tenez compte du temps nécessaire pour que la lame s'arrête complètement. Ne laissez pas la scie frôler votre jambe ou le côté de votre corps. Étant donné que le dispositif de protection inférieur est rétractable, il pourrait se coincer dans vos vêtements et exposer la lame. Il faut être au courant des expositions nécessaires de la lame qui existent autour des dispositifs de protection supérieur et inférieur.

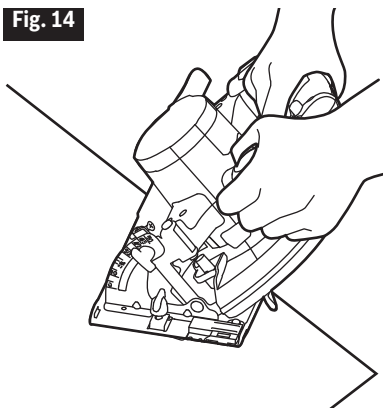
Coupe en biseau (Fig. 14)

Pour effectuer la meilleure coupe possible :

- Retirez le bloc-piles de la scie.
- Ajustez l'angle de coupe sur n'importe quel angle désiré entre 0° et 50°. Serrez fermement le bouton de réglage du biseau.
- Attachez le bloc-piles.
- Alignez la ligne de coupe sur l'encoche du repère à 45° sur le pied lorsque vous faites des coupes en biseau à 45°.
- Faites un essai de coupe dans des matériaux de rebut le long d'une ligne directrice pour déterminer le décalage nécessaire par rapport à la ligne directrice sur le matériau à couper.
- Tenez la scie fermement des deux mains, tel que cela est illustré.
- Reposez le bord avant du pied sur l'ouvrage sans mettre la lame en contact avec l'ouvrage.
- Appuyez sur l'interrupteur à gâchette pour mettre la scie en marche.
- Laissez la lame atteindre sa vitesse maximale, puis guidez la scie dans l'ouvrage et effectuez la coupe.
- Relâchez l'interrupteur à gâchette et laissez la lame s'arrêter complètement.
- Soulevez la scie pour la détacher de l'ouvrage.

REMARQUE : Faites attention de ne pas coincer la lame dans l'orifice de coupe.

Fig. 14

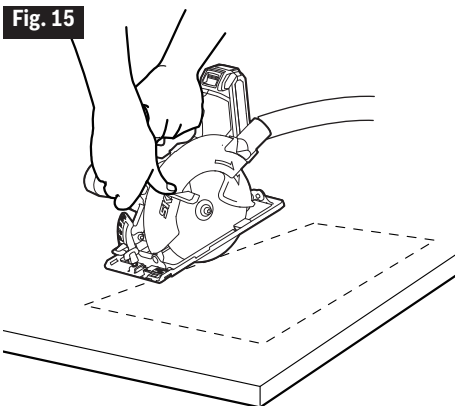


Coupes en plongée (Fig. 15)

AVERTISSEMENT Ajustez toujours le réglage du biseau sur zéro avant d'effectuer une coupe en plongée. Toute tentative de réalisation d'une coupe en plongée sur un autre réglage peut entraîner une perte de contrôle de la scie, ce qui peut entraîner des blessures graves.

- Détachez le bloc-piles de l'outil avant d'effectuer un réglage quelconque.
- Ajustez la profondeur de coupe en fonction de l'épaisseur du matériau à couper.
- Attachez le bloc-piles.
- Tenez la poignée principale de la scie d'une main, inclinez la scie vers l'avant et faites reposer la partie avant de la plaque d'assise sur le matériau à couper. Alignez l'indicateur de trait de coupe sur la ligne que vous avez tracée.
- Soulevez le dispositif de protection inférieur à l'aide du levier de levage du dispositif de protection inférieur et maintenez en place l'avant de la plaque d'assise avec l'autre main.

Fig. 15



f. Positionnez la scie de telle façon que la lame dépasse tout juste de la surface du matériau à couper. Mettez le moteur en marche ; une fois qu'il aura atteint son plein régime, abaissez progressivement l'extrémité arrière de la scie en utilisant l'extrémité avant du pied comme axe de pivotement.

⚠ AVERTISSEMENT Une fois que la plaque d'assise repose à plat sur la surface à couper, relâchez le dispositif de protection inférieur et déplacez la main qui tient l'avant de la plaque d'assise pour tenir la poignée auxiliaire.

g. Continuez à couper vers l'avant pour terminer l'opération de coupe.

⚠ AVERTISSEMENT Laissez la lame s'arrêter complètement avant de soulever la scie du lieu de la coupe.

⚠ AVERTISSEMENT Ne tirez jamais la scie vers l'arrière, car la lame sortira du matériau et un EFFET DE REBOND se produira.

h. Retournez la scie et terminez la coupe de la manière habituelle, en sciant vers l'avant.

i. Si les coins de votre coupe plongeante ne sont pas complètement coupés, utilisez une scie sauteuse ou une scie à main pour finir les coins.

ENTRETIEN

⚠ AVERTISSEMENT **AVERTISSEMENT : Pour éviter des blessures graves, retirez toujours le bloc-piles avant de procéder à l'entretien ou au nettoyage de l'outil.**

Entretien

⚠ AVERTISSEMENT L'entretien préventif effectué par une personne non autorisée peut avoir comme résultat de déplacer les fils et les composants internes de l'outil, ce qui pourrait constituer un grave danger. Nous recommandons que tout entretien de l'outil soit effectué dans un centre de service de l'usine de SKIL ou dans un centre de service autorisé par SKIL.

Entretien général

⚠ AVERTISSEMENT Lors de l'entretien, utilisez seulement des pièces de rechange identiques aux pièces d'origine. L'utilisation de toute autre pièce peut constituer un danger ou endommager l'article.

Inspectez périodiquement l'intégralité de l'article pour y déceler des pièces endommagées, manquantes ou lâches telles que des vis, des écrous, des boulons, des capuchons, etc. Resserrez fermement toutes les fixations et tous les capuchons et ne faites pas fonctionner cet article tant que toutes les pièces manquantes ou endommagées n'ont pas été remplacées. Veuillez communiquer avec le service à la clientèle ou avec un centre de service autorisé pour obtenir de l'aide.

Nettoyage

⚠ AVERTISSEMENT L'utilisation d'air sec comprimé est la meilleure technique de nettoyage. **Portez toujours des lunettes de sécurité lorsque vous nettoyez des outils avec de l'air comprimé.** Les orifices de ventilation et les leviers d'interrupteur doivent être propres et exempts de toute substance étrangère. Ne tentez pas de nettoyer l'outil en insérant des objets pointus dans les ouvertures.

⚠ AVERTISSEMENT Certains agents nettoyants et solvants endommagent les pièces en plastique. Notamment : l'essence, le tétrachlorure de carbone, les solvants nettoyants chlorés, l'ammoniac et les détergents ménagers qui contiennent de l'ammoniac.

Rangement

Rangez l'outil à l'intérieur dans un endroit inaccessible aux enfants. Rangez-le à l'écart des agents corrosifs.

Entretien des lames

Les lames s'émoussent au bout d'un certain temps, même en conséquence de la coupe de bois ordinaire. Si vous constatez que vous devez forcer la scie vers l'avant pour couper au lieu d'avoir simplement à la guider pendant la coupe, cela signifie probablement que la lame est émoussée ou enduite de poix végétale.

Lorsque vous voulez nettoyer la lame pour en retirer la gomme et la poix végétale, détachez d'abord le bloc-piles et retirez la lame.

Rappelez-vous que les lames sont conçues pour couper ; manipulez-les donc avec précaution. Essuyez la lame avec du kérosène ou un solvant similaire pour en détacher la gomme et la poix végétale.

Sauf si vous avez de l'expérience dans l'affûtage des lames, nous vous recommandons de ne pas essayer. Remplacez la lame si elle est émoussée.

RECHERCHE DE LA CAUSE DES PROBLÈMES

Problème	Cause	Remède
L'outil ne démarre pas.	<ol style="list-style-type: none"> 1. Le bloc-piles est déchargé. 2. Le bloc-piles n'est pas installé correctement. 3. L'interrupteur est grillé. 	<ol style="list-style-type: none"> 1. Rechargez la pile. 2. Confirmez que la pile est sécurisée en place et bien attachée à l'outil. 3. Faites remplacer l'interrupteur par un centre de service client ou de service après-vente SKIL agréé.
La lame ne tourne pas à la vitesse normale.	<ol style="list-style-type: none"> 1. La pile est partiellement déchargée. 	<ol style="list-style-type: none"> 1. Rechargez le bloc-piles ou utilisez un bloc-piles complètement chargé.
Vibrations excessives	<ol style="list-style-type: none"> 1. La lame est déséquilibrée. 2. L'ouvrage n'est pas sécurisé ou n'est pas suffisamment soutenu. 	<ol style="list-style-type: none"> 1. Jetez la lame et utilisez une autre lame. 2. Sécurisez ou soutenez l'ouvrage de façon appropriée en suivant les instructions de ce mode d'emploi.
La lame ne suit pas une ligne droite.	<ol style="list-style-type: none"> 1. Les dents de la lame sont émoussées. 2. Le pied n'est pas aligné ou est tordu. 3. La lame est tordue. 	<ol style="list-style-type: none"> 1. Utilisez une lame neuve. 2. Faites réparer l'outil par un centre de service client ou de service après-vente SKIL agréé. 3. Utilisez une lame neuve.
La scie se coince ou surchauffe en coupant, et le moteur cale lors de coupes en long.	<ol style="list-style-type: none"> 1. Lame émoussée avec dents incorrectes. 2. La lame se coince. 3. Soutien inapproprié de l'ouvrage. 	<ol style="list-style-type: none"> 1. Jetez la lame et utilisez une autre lame. 2. Remontez la lame et serrez les rondelles en suivant les instructions de ce mode d'emploi. 3. Sécurisez ou soutenez l'ouvrage de façon appropriée en suivant les instructions de ce mode d'emploi.
La lame dérape.	<ol style="list-style-type: none"> 1. L'outil ne coupe pas l'ouvrage. 	<ol style="list-style-type: none"> 1. Remontez la lame et serrez les rondelles en suivant les instructions de ce mode d'emploi.

GARANTIE LIMITÉE DE L'OUTIL SKIL

GARANTIE LIMITÉE DE 5 ANS

Chervon North America, Inc. (le « vendeur ») garantit à l'acheteur initial seulement que tous les OUTILS SKIL destinés à un usage résidentiel seront exempts de défauts de matériaux ou de fabrication pour une période de cinq ans à compter de la date d'achat si l'acheteur initial enregistre l'article dans les 30 jours suivant la date d'achat. LES PILES ET LES CHARGEURS sont garantis pour une période de 2 ans. L'enregistrement de l'article peut être effectué en ligne au www.Registermyskil.com. De plus, nous recommandons aux acheteurs initiaux de conserver leur reçu comme preuve d'achat. LA PÉRIODE DE GARANTIE DE CINQ ANS SUR LES OUTILS EST CONDITIONNELLE À L'ENREGISTREMENT DE L'ARTICLE DANS LES 30 JOURS SUIVANT LA DATE D'ACHAT. Si les acheteurs initiaux n'enregistrent pas leur article dans le délai prévu, la garantie limitée sur les outils électriques susmentionnée ne s'appliquera que pour une période de trois ans. Toutes les piles et tous les chargeurs demeureront couverts par la garantie limitée de deux ans.

Nonobstant les dispositions précédentes, si un outil SKIL destiné à un usage résidentiel est utilisé à des fins industrielles, professionnelles ou commerciales, la garantie susmentionnée ne s'appliquera que pour une période de quatre-vingt-dix (90) jours, que l'article ait été enregistré ou non.

LA SEULE OBLIGATION DU VENDEUR ET VOTRE RECOURS EXCLUSIF au titre de cette garantie limitée et, dans les limites permises par la loi, de toute garantie ou condition prévue par la loi, est la réparation ou le remplacement, sans frais, des pièces qui présentent un défaut matériel ou de fabrication, qui n'ont pas fait l'objet d'un usage abusif ou inapproprié et qui n'ont pas été réparées par des personnes autres que le vendeur ou un technicien d'un centre de service autorisé. Pour effectuer une réclamation au titre de la présente garantie limitée, vous devez retourner, port payé, l'article en entier à un centre de service de l'usine de SKIL ou à un centre de service autorisé. Pour communiquer avec un centre de service autorisé de SKIL Power Tools, veuillez visiter le www.Registermyskil.com ou composer le 1 877 SKIL-999 (1 877 754-5999).

CETTE GARANTIE LIMITÉE NE S'APPLIQUE PAS AUX ACCESSOIRES TELS QUE LES LAMES DE SCIE CIRCULAIRE, LES FORETS, LES FRAISES À TOUPIE, LES LAMES DE SCIE SAUTEUSE, LES COURROIES DE PONÇAGE, LES MEULES ET LES AUTRES ACCESSOIRES CONNEXES.

TOUTE GARANTIE IMPLICITE APPLICABLE À UN ARTICLE EST LIMITÉE À UNE DURÉE ÉGALE À LA DURÉE DES GARANTIES EXPRESSES APPLICABLES À UN TEL ARTICLE, COMME IL EST INDIQUÉ AU PREMIER PARAGRAPHE DE CETTE GARANTIE. CERTAINS ÉTATS DES ÉTATS-UNIS ET CERTAINES PROVINCES DU CANADA NE PERMETTENT PAS DE LIMITATIONS QUANT À LA DURÉE DES GARANTIES IMPLICITES, DE SORTE QUE LES LIMITATIONS INDIQUÉES CI-DESSUS PEUVENT NE PAS S'APPLIQUER À VOUS.

LE VENDEUR NE SERA EN AUCUN CAS TENU RESPONSABLE DES DOMMAGES ACCESSOIRES OU CONSÉCUTIFS (Y COMPRIS, SANS TOUTEFOIS S'Y LIMITER, DES PERTES DE PROFIT) RÉSULTANT DE LA VENTE OU DE L'USAGE DE CET ARTICLE. CERTAINS ÉTATS DES ÉTATS-UNIS ET CERTAINES PROVINCES DU CANADA NE PERMETTENT PAS L'EXCLUSION OU LA LIMITATION DES DOMMAGES ACCESSOIRES OU CONSÉCUTIFS, DE SORTE QUE LA LIMITATION OU L'EXCLUSION SUSMENTIONNÉE POURRAIT NE PAS S'APPLIQUER À VOUS.

CETTE GARANTIE LIMITÉE VOUS CONFÈRE DES DROITS PRÉCIS. IL EST POSSIBLE QUE VOUS DISPOSIEZ ÉGALEMENT D'AUTRES DROITS, QUI VARIENT D'UN ÉTAT, D'UNE PROVINCE OU D'UN PAYS À L'AUTRE.

CETTE GARANTIE LIMITÉE S'APPLIQUE UNIQUEMENT AUX ARTICLES VENDUS AUX ÉTATS-UNIS D'AMÉRIQUE, AU CANADA ET À L'ÉTAT LIBRE DE PORTO RICO. POUR CONNAÎTRE LA COUVERTURE DE LA GARANTIE DANS D'AUTRES PAYS, VEUILLEZ COMMUNIQUER AVEC VOTRE DÉTAILLANT OU IMPORTATEUR SKIL LOCAL.

© Chervon North America, 1203 E. Warrenville Rd, Naperville, IL 60563.

10/18

ÍNDICE

Advertencias generales de seguridad en el manejo de herramientas eléctricas.....	53-55
Advertencias de seguridad para sierras circulares.....	55-57
Símbolos.....	58-61
Familiarícese con la sierra circular.....	62
Especificaciones.....	63
Instrucciones de funcionamiento.....	64-74
Mantenimiento.....	75
Solución de problemas.....	76
Garantía limitada de la herramienta inalámbrica SKIL.....	77-78

ADVERTENCIA

- Parte del polvo causado por el lijado eléctrico, el serruchado, la trituración, el taladrado y otras actividades de construcción contiene sustancias químicas reconocidas por el estado de California como causantes de cáncer, defectos congénitos u otros daños en el aparato reproductivo. Algunos ejemplos de estos productos químicos son:
 - Plomo de pinturas a base de plomo.
 - Sílice cristalina de ladrillos, cemento y otros productos de mampostería.
 - Arsénico y cromo de madera tratada con químicos.
- El riesgo que corre debido a la exposición a estos químicos varía según la frecuencia con que realiza este tipo de trabajo. Para reducir la exposición a estos productos químicos:
 - Trabaje en un área bien ventilada.
 - Trabaje con equipo de seguridad aprobado, como las mascarillas antipolvo especialmente diseñadas para filtrar partículas microscópicas.
 - Evite estar en contacto prolongado con el polvo provocado por el lijado, el aserrado, la trituración y el taladrado, y otras actividades de construcción. Use ropa protectora y lave todas las áreas expuestas del cuerpo con agua y jabón. Si se le introduce polvo en la boca o en los ojos, o le queda sobre la piel, puede fomentar la absorción de químicos dañinos

ADVERTENCIAS GENERALES DE SEGURIDAD EN EL MANEJO DE HERRAMIENTAS ELÉCTRICAS

⚠ ADVERTENCIA Lea todas las advertencias, las instrucciones, las ilustraciones y las especificaciones de seguridad que se proporcionan junto con esta herramienta eléctrica. El incumplimiento de todas estas instrucciones podría provocar descargas eléctricas, incendio o lesiones graves.

GUARDE TODAS LAS ADVERTENCIAS Y LAS INSTRUCCIONES PARA CONSULTAR EN EL FUTURO.

El término "herramienta eléctrica" que aparece en las advertencias hace referencia a la herramienta eléctrica que se conecta a la línea principal (con cable) o a la herramienta eléctrica que funciona a batería (inalámbrica).

Seguridad en el área de trabajo

Mantenga el área de trabajo limpia y bien iluminada. Las áreas desordenadas u oscuras aumentan las posibilidades de accidentes.

No utilice herramientas eléctricas en atmósferas donde exista riesgo de explosión, como por ejemplo, en presencia de líquidos, gases o polvo inflamables. Las herramientas eléctricas producen chispas que podrían encender el polvo o los gases.

Mantenga a los niños y a las personas que se encuentran cerca alejados mientras utiliza una herramienta eléctrica. Las distracciones pueden hacerle perder el control.

Seguridad eléctrica

Los enchufes de las herramientas eléctricas deben encajar en el tomacorriente. No modifique el enchufe de ninguna manera. No utilice ningún enchufe adaptador con herramientas eléctricas con puesta a tierra. Los enchufes sin modificaciones y que encajan en los tomacorrientes reducen el riesgo de descarga eléctrica.

Evite mantener contacto con superficies con puesta a tierra, tales como tuberías, radiadores, estufas o refrigeradores. También puede sufrir una descarga eléctrica si su cuerpo está en contacto con la tierra.

No exponga las herramientas eléctricas a la lluvia o a condiciones de humedad. Si ingresa agua en una herramienta eléctrica, el riesgo de descarga eléctrica aumentará.

No maltrate el cable. Nunca use el cable para transportar, jalar ni desenchufar la herramienta eléctrica. Mantenga el cable alejado del calor, el aceite, los bordes filosos o las piezas en movimiento. Los cables dañados o enredados aumentan el riesgo de sufrir una descarga eléctrica.

Si utiliza una herramienta eléctrica en exteriores, use un cable de extensión que sea adecuado para exteriores. Usar un cable apto para exteriores reduce el riesgo de sufrir una descarga eléctrica.

Si debe utilizar una herramienta eléctrica en un área húmeda, use un suministro protegido con un interruptor de circuito de falla de puesta a tierra (GFCI). Usar un interruptor GFCI disminuye el riesgo de sufrir una descarga eléctrica.

Seguridad personal

Manténgase alerta, preste atención a lo que hace y use el sentido común cuando maneje una herramienta eléctrica. No utilice una herramienta eléctrica si está cansado o bajo los efectos de drogas, alcohol o medicamentos. Un momento de desatención mientras opera herramientas eléctricas puede provocar lesiones personales graves.

Use un equipo de protección personal. Use siempre lentes de protección. Los equipos de protección, como mascarillas antipolvo, zapatos de seguridad antideslizantes, cascos protectores o protección auditiva, utilizados para las condiciones adecuadas, disminuyen el riesgo de lesiones personales.

Evite un arranque accidental. Asegúrese de que el interruptor esté en la posición de apagado antes de conectar la herramienta a la fuente de alimentación o al paquete de baterías, o antes de levantarla o transportarla. Transportar herramientas eléctricas con el dedo en el interruptor o enchufar herramientas eléctricas que tienen el interruptor encendido aumenta las posibilidades de sufrir accidentes.

Retire todas las llaves de ajuste o llaves inglesas antes de encender la herramienta eléctrica. Si se deja una llave inglesa o una llave conectada a una pieza giratoria de la herramienta eléctrica, se podrían producir lesiones personales.

No se extienda demasiado. Mantenga una postura y un equilibrio adecuados en todo momento. Esto permite controlar mejor la herramienta eléctrica en situaciones inesperadas.

Use ropa adecuada. No use ropa holgada ni joyas. Mantenga el cabello, la ropa y los guantes lejos de las piezas en movimiento. La ropa holgada, las joyas o el cabello largo pueden quedar atrapados en las piezas en movimiento.

Si se proporcionan dispositivos para la conexión de complementos de extracción y recolección de polvo, asegúrese de que estén bien conectados y se usen correctamente. La recolección de polvo puede disminuir los peligros relacionados con el polvo.

No permita que la familiaridad obtenida por el uso frecuente de las herramientas lo haga olvidar los principios de seguridad de las herramientas. Un descuido puede ocasionar una lesión grave en cuestión de segundos.

Uso y cuidado de las herramientas eléctricas

No fuerce la herramienta eléctrica. Utilice la herramienta eléctrica adecuada para la tarea. La herramienta eléctrica adecuada realizará un trabajo más seguro y de mejor calidad al ritmo para el que se diseñó.

No utilice la herramienta eléctrica si no la puede encender o apagar con el interruptor. Todas las herramientas eléctricas que no se pueden controlar con el interruptor son peligrosas y se deben reparar.

Desconecte el enchufe de la fuente de alimentación o retire el paquete de baterías, si es posible, de la herramienta eléctrica antes de hacer ajustes, cambiar accesorios o almacenarla. Este tipo de medidas de seguridad preventivas reducen el riesgo de que se produzcan arranques accidentales de la herramienta eléctrica.

Almacene las herramientas eléctricas que no estén en uso fuera del alcance de los niños y no permita que las personas que no conozcan cómo usar la herramienta o estas instrucciones la utilicen. Las herramientas eléctricas son peligrosas en manos de usuarios sin capacitación.

Realice mantenimiento a las herramientas eléctricas y a los accesorios. Revise si hay piezas móviles desalineadas o torcidas, si hay piezas rotas y cualquier otra condición que pueda afectar el funcionamiento de la herramienta eléctrica. Si se daña la herramienta eléctrica, hágala reparar antes de usarla. Muchos accidentes son producto del mantenimiento incorrecto de las herramientas eléctricas.

Mantenga las herramientas de corte afiladas y limpias. Las herramientas de corte con bordes de corte afilados que se mantienen adecuadamente son menos propensas a trabarse y son más fáciles de controlar.

Use la herramienta eléctrica, los accesorios, las brocas, etc. de acuerdo con estas instrucciones, considerando las condiciones de trabajo y el trabajo que desea realizar. El uso de la herramienta eléctrica en operaciones distintas para las que se diseñó podría crear una situación de peligro.

Mantenga los mangos y las superficies de agarre secos, limpios y sin aceite ni grasa. Los mangos y las superficies de agarre resbaladizos no permiten manipular ni controlar la herramienta de forma segura en situaciones inesperadas.

Uso y cuidado de herramientas con batería

Recargue solo con el cargador especificado por el fabricante. Un cargador adecuado para un tipo de paquete de baterías puede crear un riesgo de incendio cuando se usa con otro paquete de baterías.

Use las herramientas eléctricas solo con los paquetes de baterías específicamente designados para estas. El uso de cualquier otro paquete de baterías puede crear un riesgo de lesión e incendio.

Cuando el paquete de baterías no está en uso, aléjelo de objetos metálicos, como sujetapapeles, monedas, llaves, clavos, tornillos u otros objetos metálicos pequeños que pudieran crear una conexión entre los terminales. Es posible que conectar los terminales de la batería entre sí produzca quemaduras o un incendio.

En condiciones de maltrato, es posible que salga líquido de la batería. Evite el contacto. Si se produce un contacto accidental, enjuáguese con agua. Si el líquido entra en contacto con los ojos, también solicite atención médica. El líquido que sale de la batería puede provocar irritación o quemaduras.

No utilice un paquete de baterías ni una herramienta si están dañados o modificados. Las baterías dañadas o modificadas pueden mostrar una conducta impredecible que ocasione incendios, explosiones o riesgo de lesión.

No exponga el paquete de baterías ni la herramienta al fuego o a una temperatura excesiva. La exposición al fuego o a temperaturas por encima de los 265 °F podría causar una explosión.

Siga todas las instrucciones de carga y no cargue el paquete de baterías ni las herramientas fuera del rango de temperatura especificado en las instrucciones. La carga inadecuada o a temperaturas fuera del rango especificado podría dañar la batería y aumentar el riesgo de incendio.

Reparación

Permita que solo una persona capacitada repare la herramienta eléctrica, solo mediante el uso de piezas de repuesto idénticas. Esto mantendrá la seguridad de la herramienta eléctrica.

Nunca realice mantenimiento a los paquetes de batería. Solo el fabricante o los proveedores de servicio autorizados pueden realizar el mantenimiento de los paquetes de baterías.

INSTRUCCIONES DE SEGURIDAD ADICIONALES PARA SIERRAS CIRCULARES

Procedimientos de corte

 PELIGRO Mantenga las manos alejadas del área de corte y de la hoja. Mantenga la segunda mano en el mango auxiliar o la carcasa del motor. Si ambas manos están sujetando la sierra, la hoja no puede cortarlas

No ponga las manos debajo de la pieza de trabajo. El protector no puede protegerle de la hoja debajo de la pieza de trabajo

Ajuste la profundidad de corte al grosor de la pieza de trabajo. Debería verse menos de un diente completo de los dientes de la hoja por debajo de la pieza de trabajo

No sujete nunca la pieza de trabajo en las manos o atravesada sobre una pierna mientras corta. Sujete firmemente la pieza de trabajo a una plataforma estable. Es importante soportar adecuadamente la pieza de trabajo para minimizar la exposición del cuerpo, el atoramiento de la hoja o la pérdida de control

Agarre la herramienta eléctrica por las superficies de agarre con aislamiento cuando realice una operación en la que la herramienta de corte pueda entrar en contacto con cables ocultos. El contacto con un cable con corriente también hará que las partes metálicas de la herramienta eléctrica que estén al descubierto lleven corriente, lo cual podría causar una descarga eléctrica al operador.

Cuando corte al hilo, utilice siempre un tope-guía para cortar al hilo o una guía de borde recto. Esto mejora la precisión del corte y reduce las probabilidades de que la hoja se atore.

Utilice siempre hojas que tengan el tamaño correcto y la forma correcta (de diamante o redonda) de los agujeros para el eje portaherramienta. Las hojas que no coincidan con los herrajes de montaje de la sierra **girarán** descentradas, lo cual causará pérdida de control

No utilice nunca arandelas de hoja o un perno de hoja que estén dañados o sean incorrectos. Las arandelas y el perno de la hoja se diseñaron especialmente para su sierra, con el fin de lograr un rendimiento óptimo y la máxima seguridad de funcionamiento.

Causas del retroceso y advertencias relacionadas

- el retroceso es una reacción repentina a una hoja de sierra comprimida, atorada o desalineada, que hace que una sierra descontrolada se levante y se salga de la pieza de trabajo hacia el operador;
- cuando la hoja se comprima o se atore fuertemente al cerrarse la entalladura, la hoja se detendrá y la reacción del motor impulsará la unidad rápidamente hacia atrás, hacia el operador;
- si la hoja se tuerce o se desalinea en el corte, los dientes ubicados en el borde trasero de la misma pueden penetrar en la superficie superior de la madera y hacer que la hoja trepe, se salga de la entalladura y salte hacia atrás, hacia el operador.

El retroceso es el resultado de un uso indebido de la sierra y/o de procedimientos o condiciones de utilización incorrectos, y se puede evitar tomando las precauciones adecuadas, tal y como se indica a continuación.

Mantenga un agarre firme con las dos manos en la sierra y posicione los brazos de modo que puedan resistir las fuerzas de retroceso. Posicione el cuerpo en cualquiera de los dos lados de la hoja, pero no en línea con la misma. Un retroceso podría hacer que la sierra salte hacia atrás, pero las fuerzas de retroceso pueden ser controladas por el operador, si se toman las precauciones adecuadas.

Cuando la hoja se esté atorando o cuando interrumpa un corte por cualquier motivo, suelte el gatillo y sujete la sierra de manera que esté inmóvil en el material hasta que la hoja se detenga por completo. No intente nunca retirar la sierra de la pieza de trabajo ni jalar la sierra hacia atrás mientras la hoja esté en movimiento, o es posible que ocurra retroceso. Investigue y tome medidas correctivas para eliminar la causa de atoramiento de la hoja.

Cuando rearranque una sierra en la pieza de trabajo, centre la hoja de sierra en la entalladura, de manera que los dientes de la sierra no estén acoplados en el material. Si una hoja de sierra se atora, es posible que se desvíe o experimente retroceso respecto a la pieza de trabajo cuando se rearranque la sierra.

Soporte los paneles grandes para minimizar el riesgo de que la hoja se comprima y se produzca retroceso. Los paneles grandes tienden a arquearse bajo su propio peso. Se deben colocar soportes debajo del panel a ambos lados, cerca de la línea de corte y cerca del borde del panel.

No utilice hojas desafiladas o dañadas. Las hojas desafiladas o con triscado incorrecto producen una entalladura estrecha, lo cual causa una fricción excesiva, atoramiento de la hoja y retroceso.

Las palancas de bloqueo del ajuste de profundidad y de bisel de la hoja deben estar apretadas y sujetas firmemente antes de realizar el corte. Si el ajuste de la hoja cambia mientras se realiza el corte, puede que dicho cambio cause atoramiento y retroceso.

Tenga precaución adicional cuando aserre en paredes existentes u otras áreas ciegas. Es posible que la hoja que sobresale corte objetos que pueden causar retroceso.

Función del protector inferior

Compruebe el protector inferior para verificar si se cierra correctamente antes de cada uso. No utilice la sierra si el protector inferior no se mueve libremente y no se cierra instantáneamente. No sujete con abrazaderas ni amarre nunca el protector inferior en la posición abierta. Si la sierra se cae accidentalmente, es posible que el protector inferior se doble. Suba el protector inferior con el mango retráctil y asegúrese de que se mueve libremente y no toca la hoja ni ninguna otra pieza, en todos los ángulos y profundidades de corte.

Compruebe el funcionamiento del resorte del protector inferior. Si el protector y el resorte no están funcionando correctamente, deben recibir servicio de ajuste y reparaciones antes de utilizar la sierra. Es posible que el protector inferior funcione con dificultad debido a que haya piezas dañadas, depósitos gomosos o una acumulación de residuos.

El protector inferior se puede retraer manualmente solo para realizar cortes especiales, tales como “cortes por inmersión” y “cortes compuestos”. Suba el protector inferior mediante el mango retráctil y, en cuanto la hoja penetre en el material, suelte el protector inferior. Para todas las demás operaciones de aserrado, el protector inferior debería funcionar automáticamente.





Asegúrese siempre de que el protector inferior esté cubriendo la hoja antes de dejar la sierra en un banco de trabajo o en el piso. Una hoja sin protección que esté girando por inercia hará que la sierra se desplace hacia atrás, cortando todo aquello que esté en su camino. Tenga en cuenta el tiempo que se requiere para que la hoja se detenga después de soltar el interruptor.

SÍMBOLOS

Símbolos de seguridad

El objetivo de los símbolos de seguridad es captar su atención ante posibles peligros. Los símbolos de seguridad y las explicaciones que se dan merecen su atención y comprensión cuidadosa. Las advertencias del símbolo no eliminan por sí mismas ningún peligro. Las instrucciones y las advertencias que se dan no son substitutos de las medidas adecuadas de prevención de accidentes.

⚠️ ADVERTENCIA Asegúrese de leer y de comprender todas las instrucciones de seguridad en este manual del propietario, incluidos todos los símbolos de alerta de seguridad como “PELIGRO”, “ADVERTENCIA” y “PRECAUCIÓN” antes de usar esta herramienta. El incumplimiento de las siguientes instrucciones puede provocar descargas eléctricas, incendios y/o lesiones personales graves.

Las definiciones que se ofrecen a continuación describen el nivel de gravedad de cada símbolo. Lea el manual y preste atención a dichos símbolos.	
	Este es el símbolo de advertencia de seguridad. Se utiliza para advertirlo de los peligros de posibles lesiones personales. Cumpla con todos los mensajes de seguridad a continuación de este símbolo para evitar posibles lesiones o consecuencias fatales.
	PELIGRO indica una situación de peligro que, de no evitarse, ocasionará la muerte o lesiones graves.
	ADVERTENCIA indica una situación potencialmente peligrosa que, de no evitarse, puede ocasionar la muerte o lesiones graves.
	PRECAUCIÓN, se usa con el símbolo de advertencia de seguridad e indica una situación peligrosa que, de no evitarse, puede causar lesiones menores o moderadas.

Mensajes de prevención de daños e información

Estos mensajes informan al usuario sobre informaciones y/o instrucciones importantes que, de no seguirse, pueden causar daños al equipo o la propiedad. Antes de cada mensaje, aparece la palabra “AVISO”, como en el ejemplo a continuación:






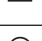


AVISO: si no se siguen estas instrucciones se pueden producir daños al equipo o la propiedad.






⚠️ ADVERTENCIA Durante el funcionamiento de cualquier herramienta eléctrica, pueden entrar objetos extraños a los ojos y causar graves daños oculares. Use siempre lentes o gafas de seguridad con protecciones laterales y, cuando sea necesario, un protector facial que cubra todo el rostro antes de comenzar a operar una herramienta eléctrica. Recomendamos usar una máscara de seguridad de visión amplia sobre los lentes o las gafas de seguridad estándar con protección lateral. Siempre use lentes de protección que cumplan con la norma ANSI Z87.1.

SÍMBOLOS (CONTINUACIÓN)

IMPORTANTE: puede que algunos de los siguientes símbolos aparezcan en la herramienta. Estúdielos y conozca su significado. La interpretación correcta de estos símbolos le permitirá utilizar la herramienta de manera eficaz y segura.

Símbolo	Nombre	Designación/Explicación
V	Voltios	Voltaje (potencial)
A	Amperios	Corriente
Hz	Hertz	Frecuencia (ciclos por segundo)
W	Vatios	Alimentación
kg	Kilogramos	Peso
min	Minutos	Hora
s	Segundos	Hora
Wh	Vatio por horas	Capacidad de la batería
Ah	Amperios por hora	Capacidad de la batería
Ø	Diámetro	Tamaño de las brocas para taladro, piedras de amolar, etc.
n_0	Velocidad sin carga	Velocidad de rotación sin carga
n	Rango de velocidad	Velocidad máxima alcanzable
.../min	Revoluciones o pasadas por minuto	Revoluciones, pasadas, velocidad de superficie, órbitas, etc. por minuto
0	Posición de apagado	Velocidad cero, torsión cero...
1,2,3,... I,II,III,	Ajustes del selector	Ajustes de velocidad, par o posición. Un número mayor significa mayor velocidad
	Selector de regulación continua con apagado	La velocidad aumenta desde el ajuste 0
	Flecha	Acción en la dirección de la flecha
	Corriente alterna	Tipo o característica de corriente
	Corriente directa	Tipo o característica de corriente
	Corriente alterna o directa	Tipo o característica de corriente
	De clase II para construcción	Designa las herramientas de construcción con doble aislamiento
	Terminal de tierra	Terminal de conexión a tierra
	Sello de iones de litio de RBRC	Designa el programa de reciclaje de baterías de iones de litio

Símbolo	Nombre	Designación/Explicación
	<p>Sello de níquel-cadmio de RBRC</p>	<p>Designa el programa de reciclaje de baterías de níquel-cadmio</p>
	<p>Símbolo de lectura del manual</p>	<p>Indica al usuario que lea el manual</p>
	<p>Símbolo de use de lentes de protección</p>	<p>Siempre use gafas o lentes de seguridad con protecciones laterales y una careta protectora cuando opere este producto</p>

SÍMBOLOS (INFORMACIÓN DE CERTIFICACIÓN)

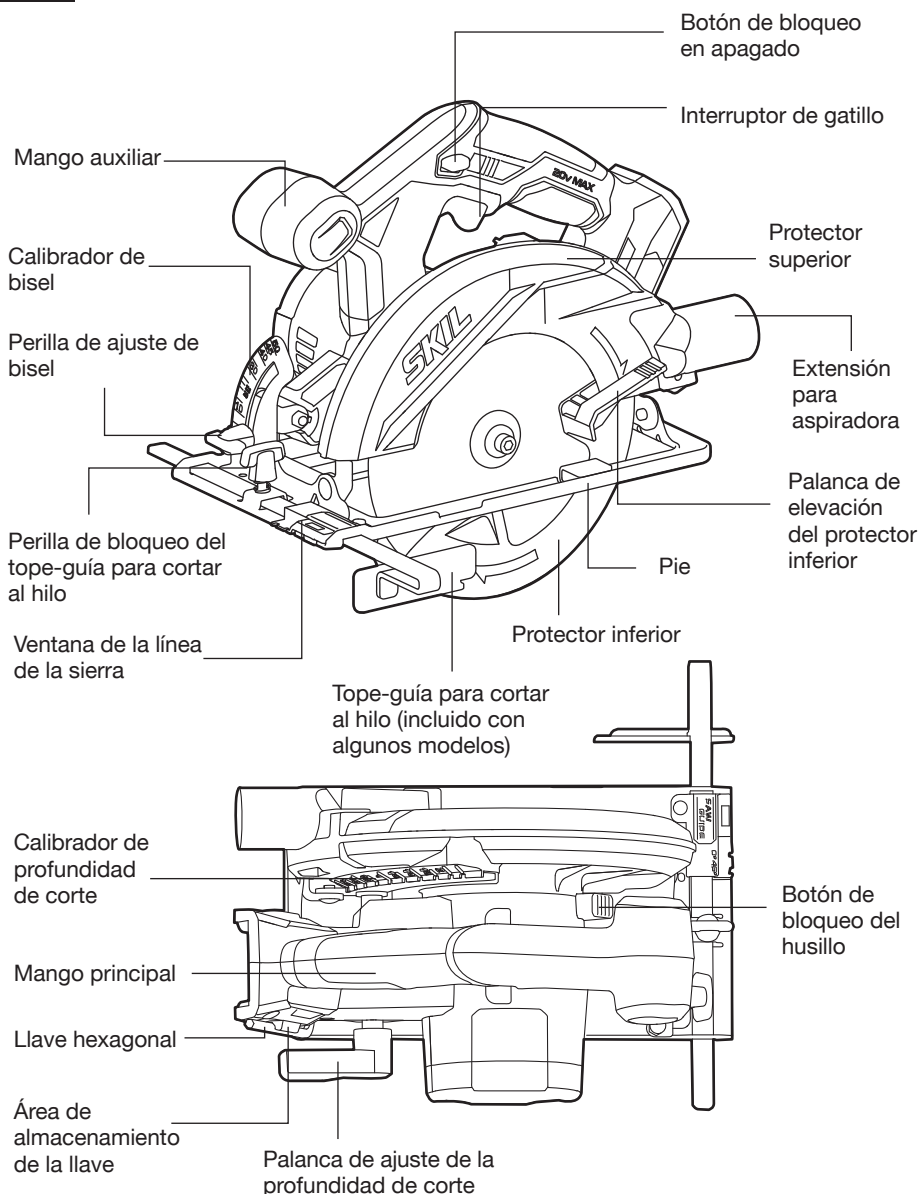
IMPORTANTE: algunos de los siguientes símbolos de información de certificación pueden aparecer en sus herramientas. Obsérvelos y conozca su significado. La interpretación correcta de estos símbolos le permitirá utilizar la herramienta de manera eficaz y segura.

Símbolo	Designación/Explicación
	Este símbolo designa que esta herramienta está incluida en la lista de Underwriters Laboratories.
	Este símbolo designa que esta herramienta es reconocida por Underwriters Laboratories.
	Este símbolo designa que esta herramienta está incluida en la lista de Underwriters Laboratories, conforme a las normas de Estados Unidos y Canadá.
	Este símbolo designa que esta herramienta está incluida en la lista de Canadian Standards Association.
	Este símbolo designa que esta herramienta está incluida en la lista de Canadian Standards Association, conforme a las normas de Estados Unidos y Canadá.
	Este símbolo designa que esta herramienta está incluida en la lista de Intertek Testing Services, conforme a las normas de Estados Unidos y Canadá.
	Este símbolo designa que esta herramienta cumple con las normas NOM de México.

FAMILIARÍCESE CON SU SIERRA CIRCULAR

Sierra circular de 6-1/2 pulgadas de 20 V

Fig. 1



ESPECIFICACIONES

Rango de voltaje	20 V CC
Velocidad sin carga	4500 /min
Diámetro de la hoja	6-1/2 pulgadas (165 mm)
Eje portaherramienta para la hoja	5/8 de pulgada (16 mm)
Profundidad de corte a 90°	2-1/8 pulgadas (54 mm)
Profundidad de corte a 45°	1-3/4 pulgadas (44,5 mm)
Intervalo de bisel	0°~50°
Temperatura de trabajo recomendada	-10 ~ 40 °C (14 ~ 104 °F)
Temperatura de almacenaje recomendada	0 ~ 40 °C (32 ~ 104 °F)

INSTRUCCIONES DE FUNCIONAMIENTO

⚠ ADVERTENCIA Para reducir el riesgo de incendios, lesiones personales y daños al producto por un cortocircuito, nunca sumerja ni permita que ingresen líquidos en la herramienta, el paquete de baterías o el cargador. Los líquidos corrosivos o conductores, como el agua de mar, algunos productos químicos industriales y el blanqueador o los productos que contienen blanqueador, pueden generar un cortocircuito.

⚠ ADVERTENCIA Si hay piezas dañadas o faltantes, no utilice el producto hasta que las haya reemplazado. El uso de este producto con piezas dañadas o faltantes podría causar lesiones personales graves.

⚠ ADVERTENCIA No intente modificar esta herramienta ni crear accesorios que no sean los recomendados para esta. Cualquier alteración o modificación se considera un uso indebido y puede provocar una condición de peligro que, a su vez, puede ocasionar lesiones graves.

⚠ ADVERTENCIA Para evitar un arranque accidental, que podría causar graves lesiones personales, siempre retire el paquete de baterías de la herramienta cuando esté ensamblando las piezas.

Esta sierra de vaivén inalámbrica se debe usar solamente con los paquetes de baterías y el cargador que se indican a continuación:

Paquete de baterías			Cargador
2Ah	4Ah	5Ah	
SKIL BY519701	SKIL BY519601	SKIL BY519603	SKIL SC535801

AVISO: consulte el manual de la batería y del cargador para obtener información detallada sobre el funcionamiento.

Inserción /extracción del paquete de baterías (Fig. 2)

Inserción del paquete de baterías:

Alinee la nervadura en relieve ubicada en el paquete de baterías con las ranuras de la herramienta y luego deslice el paquete de baterías sobre la herramienta.

AVISO: Asegúrese de que el pestillo ubicado en el paquete de baterías se acople a presión en la posición correcta y que el paquete de baterías esté firmemente sujeto a la herramienta antes de comenzar a utilizarla.

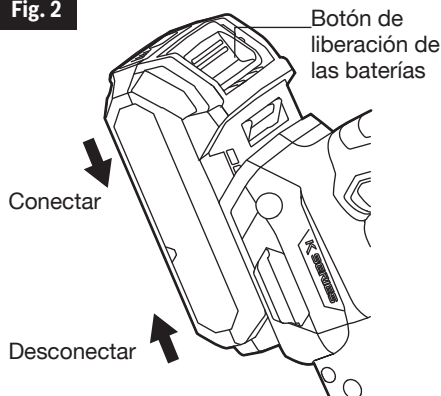
Para retirar el paquete de baterías:

Para retirar el paquete de baterías, presione el botón de liberación que se encuentra en la parte frontal del paquete de baterías. Jale el paquete de baterías y retírelo de la herramienta.

AVISO: al colocar el paquete de baterías en la herramienta, asegúrese de que la varilla elevada del paquete de baterías se alinee con la ranura de la herramienta y que los pestillos encajen en su lugar adecuadamente. La fijación inadecuada del paquete de baterías puede provocar daños a los componentes internos.

⚠ ADVERTENCIA Las herramientas con batería están siempre en condiciones de funcionamiento. Por lo tanto, retire la batería cuando la herramienta no esté en uso o cuando la lleve a su lado.

Fig. 2



Instalación de la hoja (Fig. 3)

⚠ ADVERTENCIA Retire el paquete de baterías de la herramienta antes de realizar cualquier ensamblaje o ajuste, o cambiar accesorios.

Dichas medidas preventivas de seguridad reducen el riesgo de arrancar accidentalmente la herramienta

⚠ ADVERTENCIA Esta herramienta está diseñada para cortar solamente madera. Utilice únicamente las hojas de sierra correctas para operaciones de corte de madera. No utilice ruedas abrasivas.

⚠ ADVERTENCIA Utilice únicamente una hoja de sierra de 6-1/2 pulgadas con una capacidad nominal de 4500/min (RPM) o mayor. No utilice NUNCA una hoja que sea tan gruesa que impida que la arandela externa de la hoja se acople con el lado plano del husillo. Es posible que la utilización de una hoja que no esté diseñada para la sierra cause lesiones corporales graves y daños materiales.

⚠ ADVERTENCIA Asegúrese de usar guantes de trabajo protectores mientras maneja una hoja de sierra. La hoja puede lesionar las manos cuando no estén protegidas.

a. Presione el botón de bloqueo del husillo y gire la llave hexagonal hasta que dicho botón se acople. El eje de la sierra estará ahora fijo. Siga presionando el botón de bloqueo del husillo, gire la llave hexagonal en el sentido de las agujas del reloj y retire el perno de la hoja y la arandela externa.

⚠ ADVERTENCIA Presione el botón de bloqueo del husillo solamente cuando la herramienta esté inmóvil.

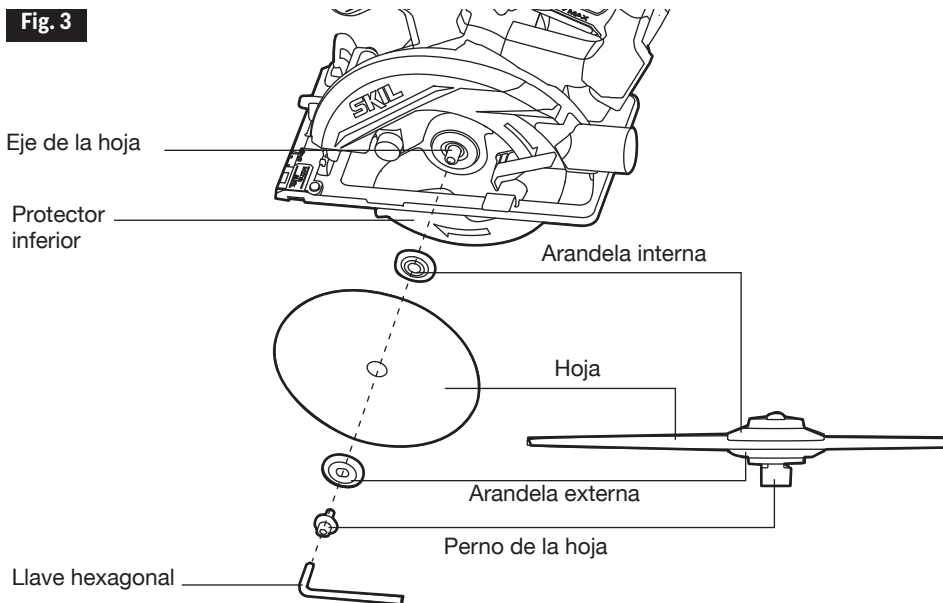
b. Asegúrese de que los dientes de la sierra y la flecha ubicada en la hoja apunten en el mismo sentido que la flecha ubicada en el protector inferior.

c. Retraiga el protector inferior completamente hacia arriba, hacia el interior del protector superior. Mientras retrae el protector inferior, compruebe el funcionamiento y el estado del sistema del protector inferior.

d. Deslice la hoja a través de la ranura ubicada en el pie y móntela contra la arandela interna en el eje. Asegúrese de que las superficies de fijación de las arandelas interna y externa estén al ras contra la hoja.

⚠ ADVERTENCIA Asegúrese de que las superficies de fijación de las arandelas interna y externa estén perfectamente limpias y orientadas hacia la hoja.

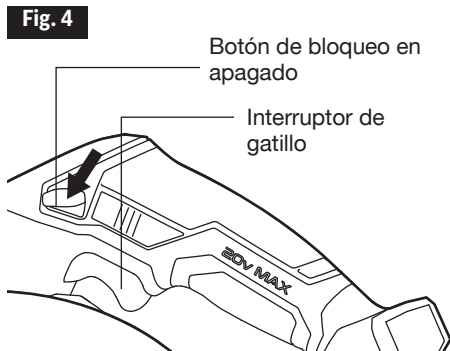
e. Reinstale la arandela externa. Apriete primero el perno de la hoja con los dedos y luego apriete dicho perno 1/8 de vuelta (45°) con la llave hexagonal (esto asegura que la hoja de sierra resbale cuando encuentre una resistencia excesiva, con lo cual se reducirán la sobrecarga del motor y el retroceso de la sierra).



Botón de bloqueo en apagado (Fig. 4)

El botón de bloqueo en apagado está ubicado en el mango, encima del interruptor de gatillo. Dicho botón reduce la posibilidad de un arranque accidental, para brindar protección de seguridad personal.

Se debe presionar el botón de bloqueo en apagado para que quede hacia dentro antes de apretar el interruptor de gatillo.



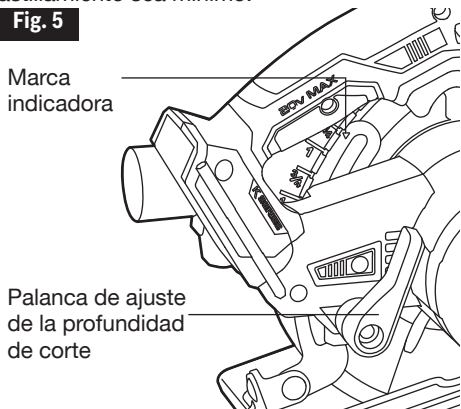
Ajuste de la profundidad de corte (Fig. 5)

La palanca de ajuste de la profundidad de corte está ubicada junto al mango principal.

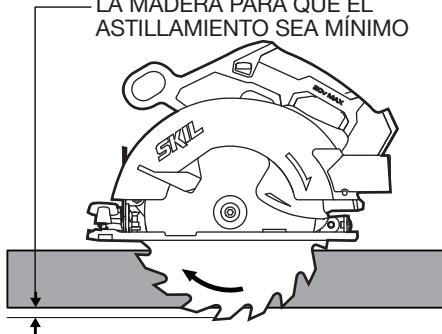
- Retire el paquete de baterías de la herramienta.
- Afloje la palanca de ajuste de la profundidad de corte
- Sujete el pie de la sierra en posición plana contra el borde de la pieza de trabajo y luego suba o baje la sierra hasta que la marca indicadora ubicada en el calibrador de profundidad de corte se alinee con la marca de profundidad de corte deseada.
- Apriete firmemente la palanca de ajuste de la profundidad de corte a la profundidad de corte deseada.

AVISO: Compruebe el ajuste de la profundidad de corte. Por debajo del material que se vaya a cortar no debería sobresalir más que la longitud de un diente de la hoja, para que el astillamiento sea mínimo.

Fig. 5



LA LONGITUD DE UN DIENTE DEBERÍA PENETRAR EN LA MADERA PARA QUE EL ASTILLAMIENTO SEA MÍNIMO

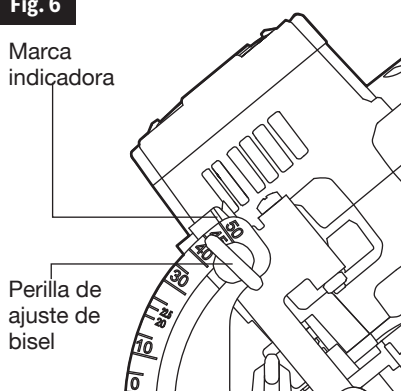


Ajuste de bisel (Fig. 6)

La perilla de ajuste de bisel ajusta el ángulo de corte.

- Retire el paquete de baterías de la herramienta.
- Afloje la perilla de ajuste de bisel rotándola en sentido contrario al de las agujas del reloj.
- Incline el pie hasta que la marca indicadora de bisel alcance el ajuste deseado en el calibrador de bisel.
- Apriete firmemente la perilla de ajuste de bisel rotándola en el sentido de las agujas del reloj

Fig. 6



⚠ ADVERTENCIA

Si intenta hacer cortes en bisel sin la perilla de ajuste de bisel apretada firmemente, el resultado puede ser lesiones graves.

⚠ ADVERTENCIA

Debido al aumento de la cantidad de acoplamiento de la hoja en la pieza de trabajo mientras se realizan cortes biselados, así como a la disminución de la estabilidad del pie, es posible que ocurra atoramiento de la hoja. Mantenga estable la sierra y el pie firmemente sobre la pieza de trabajo.

AVISO: Cuando realice cortes en bisel, la profundidad de corte no se corresponderá con el valor mostrado en el calibrador de profundidad de corte.

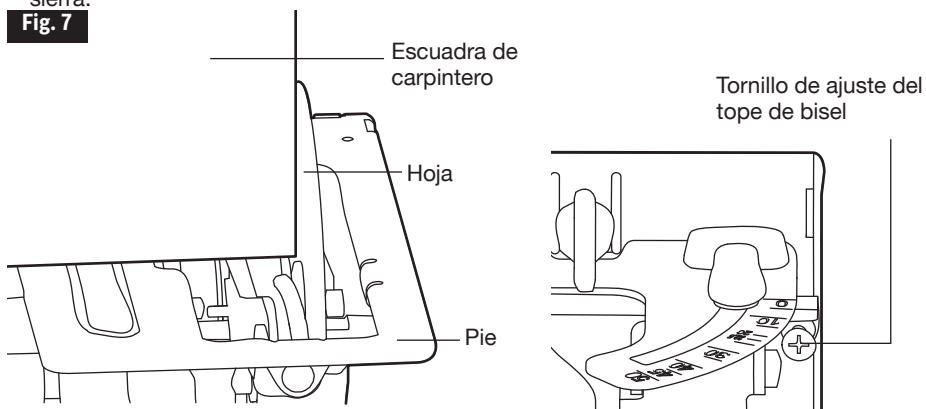
AVISO: Como los grosores de hoja varían y diferentes ángulos requieren diferentes ajustes, haga siempre un corte de prueba en material de desecho a lo largo de una línea de guía para determinar cuánto debería usted desplazar dicha línea de guía sobre la pieza de trabajo que se vaya a cortar.

Comprobación y ajuste del bisel a 0° (Fig. 7)

Su herramienta tiene un tope de bisel de 0°, que ha sido ajustado antes del envío para asegurar que la hoja esté vertical al pie en el corte biselado de 0°.

Para comprobar y ajustar el bisel a 0°:

- Retire el paquete de baterías de la herramienta.
- Ajuste el pie a la posición de máxima profundidad de corte. Afloje la perilla de ajuste de bisel, ajuste la sierra a un bisel de 0° en el calibrador de bisel y reapriete la perilla de ajuste de bisel.
- Ponga la sierra en posición invertida y colóquela sobre una superficie estable. Compruebe si hay un ángulo de 90° entre la hoja y el lado inferior del pie con una escuadra.
- Si es necesario realizar algún ajuste, afloje la perilla de ajuste de bisel. Coloque la sierra en posición invertida sobre un banco de trabajo. Utilice un destornillador Philips para girar el tornillo de ajuste del tope de bisel de 0° hasta que el pie esté escuadrado con la hoja de sierra.



Ventana de la línea de la sierra (Fig. 8)

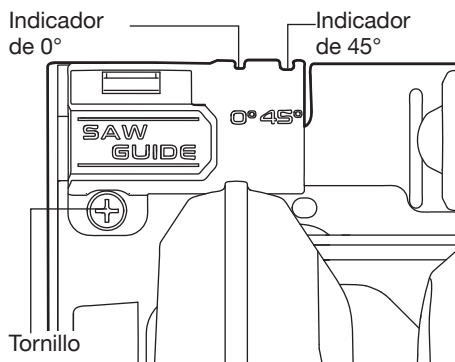
Para realizar un corte a 0°, alinee la línea de corte con la muesca izquierda del pie en el indicador de 0°.

Para realizar cortes biselados de 45°, alinee la línea de corte con la muesca derecha en el indicador de 45°.

La ventana de la línea de la sierra también es ajustable aflojando el tornillo y realineando la ventana, de acuerdo con las necesidades que usted tenga.

La ventana de la línea de la sierra le dará una línea de corte aproximada. Haga cortes de muestra en madera de desecho para verificar la línea de corte real. Esto será útil debido al número de diferentes tipos y grosores de hoja disponibles. Para asegurar que el astillamiento sea mínimo en el lado bueno del material que se vaya a cortar, oriente dicho lado bueno hacia abajo.

Fig. 8



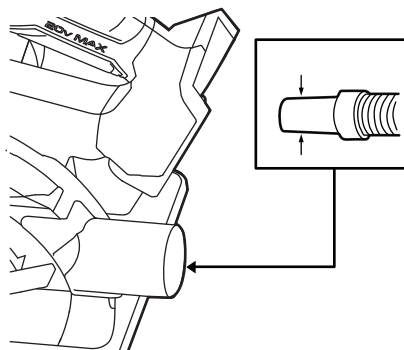
Extensión para una aspiradora (Fig. 9)

Su herramienta está equipada con una extensión (Ø 1-1/4 pulgadas) para conectar una aspiradora.

Escoja una manguera de aspiradora adecuada o use un adaptador, en caso de que sea necesario.

⚠ ADVERTENCIA No deje nunca que una manguera de aspiradora interfiera con el protector inferior o la operación de corte.

Fig. 9



Luz LED (Fig. 10)

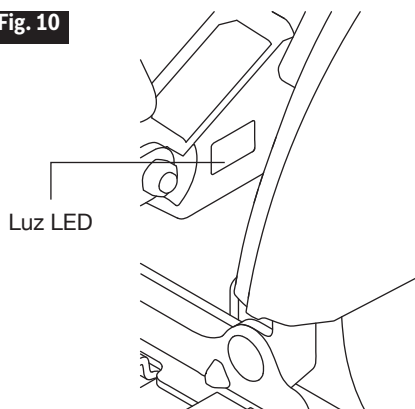
Hay una luz LED ubicada detrás del protector superior.

Esta luz proporciona iluminación adicional sobre la hoja de sierra y la superficie de la pieza de trabajo para utilizar la sierra en áreas con poca luz.

La luz LED se encenderá automáticamente al apretar ligeramente el interruptor de gatillo de velocidad variable antes de que la herramienta comience a funcionar. Dicha luz se apagará entre 8 y 12 segundos después de soltar el interruptor de gatillo de velocidad variable.

Si la herramienta y/o el paquete de baterías se sobrecargan o se calientan demasiado, los sensores internos apagarán la herramienta y la luz LED parpadeará rápidamente. Deje descansar la herramienta durante un tiempo o coloque la herramienta y el paquete de baterías separadamente bajo una corriente de aire para que se enfríen.

Fig. 10



Realización de cortes con la sierra circular (Fig. 11)

Consulte las figuras de esta sección para aprender las maneras correctas e incorrectas de manejar la sierra.

⚠ ADVERTENCIA

- Para hacer que el aserrado sea más fácil y más seguro, mantenga siempre un control adecuado de la sierra. Una pérdida de control podría causar un accidente y tener como resultado lesiones graves.
- Mantenga un agarre firme y opere el interruptor de gatillo con una acción decisiva. No fuerce nunca la sierra. Use una presión ligera y continua.
- Cuando levante la sierra de la pieza de trabajo, la hoja quedará al descubierto en el lado inferior de la sierra hasta que el protector inferior se cierre. Asegúrese de que el protector inferior de la hoja esté cerrado antes de dejar la sierra en cualquier lugar.

Para hacer el corte más seguro y mejor posible, siga estos consejos útiles:

- a. Sujete firmemente la sierra con las dos manos.
- b. Evite colocar la mano sobre la pieza de trabajo mientras realiza un corte.
- c. Soporte la pieza de trabajo de manera que el corte esté siempre en el lado del operador y no en línea directa con el cuerpo del operador.
- d. Soporte la pieza de trabajo cerca del corte.
- e. Sujete firmemente con abrazaderas la pieza de trabajo para que no se mueva durante el corte.
- f. Coloque siempre la sierra sobre la parte de la pieza de trabajo que esté soportada y no sobre el pedazo que se vaya a cortar.
- g. Coloque la pieza de trabajo con el lado "bueno" hacia abajo.
- h. Trace una línea de guía a lo largo de la línea de corte deseada antes de comenzar el corte.
- i. Apoye el borde delantero del pie de la sierra sobre la pieza de trabajo sin que la hoja toque dicha pieza.
- j. Presione el interruptor de gatillo para arrancar la sierra.
- k. Deje que la hoja alcance su velocidad máxima, luego guíe la sierra para que penetre en la pieza de trabajo y haga el corte.

l. Suelte el interruptor de gatillo y deje que la hoja se detenga por completo.

m. Levante la sierra de la pieza de trabajo.

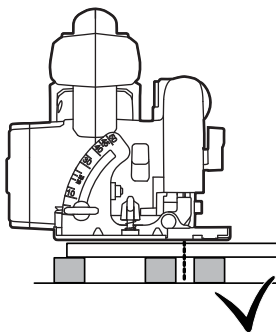
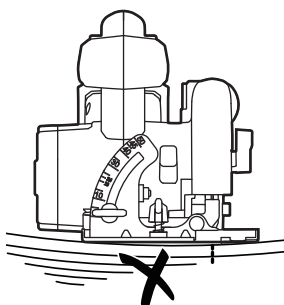
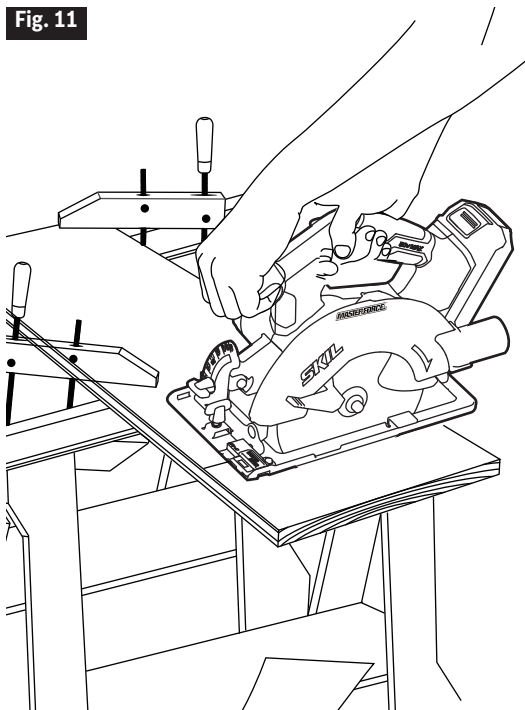
AVISO: No atore la hoja en el corte.

Cuando se interrumpa la operación de corte, para reanudar dicha operación: apriete el gatillo y deje que la hoja alcance su velocidad máxima, reingrese lentamente al corte y reanude la operación de corte.

Al cortar transversalmente a la veta, las fibras de madera tienen tendencia a desgarrarse y levantarse.

Si se hace avanzar la sierra lentamente se minimizará este efecto.

Fig. 11



Realización de cortes transversales/cortes al hilo (Fig. 12)

Cuando haga un corte transversal o un corte al hilo, alinee la línea de guía con la muesca indicadora de 0° ubicada en el pie. La distancia desde la hoja de sierra hasta la base de la sierra es aproximadamente 1-3/8 pulgadas (35 mm) en el lado izquierdo de la sierra y 4-1/6 pulgadas (105 mm) en el lado derecho.

Los grosores de hoja varían, por lo que usted deberá hacer siempre un corte de prueba en material de desecho a lo largo de una línea de guía para determinar cuánto se debe desplazar dicha línea de guía respecto a la guía para producir un corte preciso.

AVISO: Utilice una guía cuando haga cortes al hilo largos o anchos.

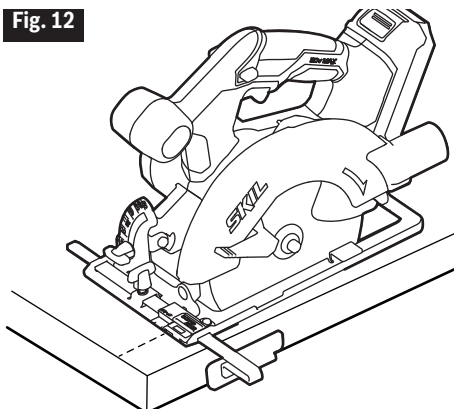


Fig. 13

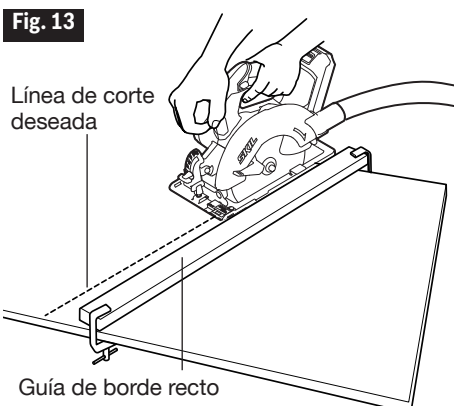
Realización de cortes al hilo utilizando una guía de borde recto (Fig. 13)

- Sujete firmemente la pieza de trabajo.
- Fije una guía de borde recto a la pieza de trabajo utilizando abrazaderas en C (no incluidas).

AVISO: Posicione las abrazaderas en C de manera que no interfieran con la carcasa de la sierra durante el corte.

- Apoye el borde delantero del pie sobre la pieza de trabajo sin que la hoja toque dicha pieza.
- Presione el interruptor de gatillo para arrancar la sierra.
- Deje que la hoja alcance la velocidad máxima, luego guíe la sierra para que penetre en la pieza de trabajo y haga el corte.
- Aserre a lo largo de la guía de borde recto para lograr un corte al hilo recto.
- Suelte el gatillo y deje que la hoja se detenga por completo.
- Levante la sierra de la pieza de trabajo.

AVISO: No atore la hoja en el corte.



⚠ PRECAUCIÓN Asegúrese siempre de que ninguna de las dos manos interfiera con el movimiento libre del protector inferior.

⚠ PRECAUCIÓN Después de completar un corte y soltar el gatillo, tenga en cuenta el tiempo necesario que se requiere para que la hoja se detenga por completo mientras desacelera girando por inercia. No deje que la sierra le roce la pierna o el costado. Como el protector inferior es retraíble, podría engancharse en la ropa y dejar al descubierto la hoja. Tenga en cuenta las exposiciones necesarias de la hoja que existen en las áreas tanto del protector superior como del inferior.

Realización de cortes biselados (Fig. 14)

Fig. 14

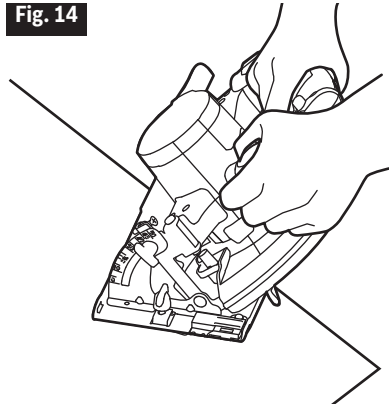
Para hacer el mejor corte posible:

- Retire la batería de la sierra.
- Ajuste el ángulo de corte a cualquier valor deseado entre 0° y 50°. Apriete firmemente la perilla de ajuste de bisel.

⚠ ADVERTENCIA Si se intenta realizar un corte biselado sin tener la perilla de ajuste de bisel completamente fija en la posición correcta, el resultado puede ser lesiones graves.

- Instale el paquete de baterías
- Alinee la línea de corte con la muesca indicadora de 45° ubicada en el pie cuando haga cortes biselados de 45°.
- Haga un corte de prueba en material de desecho a lo largo de una línea de guía para determinar la cantidad de desplazamiento de dicha línea de guía sobre el material de corte.
- Agarre firmemente la sierra con las dos manos, de la manera que se muestra en la ilustración.
- Apoye el borde delantero del pie sobre la pieza de trabajo sin que la hoja toque dicha pieza.
- Presione el interruptor de gatillo para arrancar la sierra.
- Deje que la hoja alcance su velocidad máxima, luego guíe la sierra para que penetre en la pieza de trabajo y haga el corte.
- Suelte el interruptor de gatillo para dejar que la hoja se detenga por completo.
- Levante la sierra de la pieza de trabajo.

AVISO: No atore la hoja en el corte.

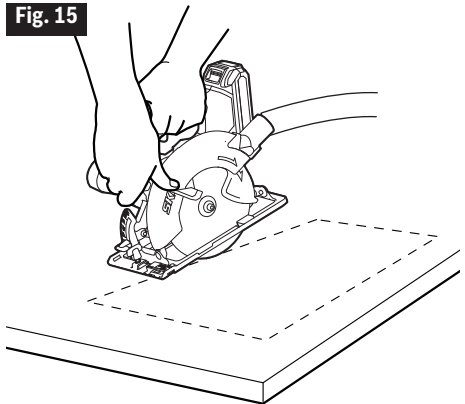


Cortes por inmersión (Fig. 15)

Fig. 15

⚠ ADVERTENCIA Ajuste siempre el valor de bisel a cero antes de hacer un corte por inmersión. Si intenta hacer un corte por inmersión en cualquier otro ajuste, el resultado puede ser pérdida de control de la sierra, lo cual puede causar lesiones graves.

- Retire el paquete de baterías de la herramienta antes de realizar cualquier ajuste.
- Ajuste la profundidad de corte de acuerdo con el grosor del material que se vaya a cortar.
- Instale el paquete de baterías.
- Agarrando el mango principal de la sierra con una mano, incline la sierra hacia delante y apoye la parte delantera de la placa-base sobre el material que se vaya a cortar. Alinee el indicador de la línea de la sierra con la línea que usted ha trazado.
- Suba el protector inferior utilizando la palanca de elevación del protector inferior y sujete la parte delantera de la placa-base con la otra mano.



f. Posicione la sierra de manera que la hoja justo no toque el material que se vaya a cortar. Arranque el motor y, una vez que haya alcanzado la velocidad máxima, baje gradualmente el extremo trasero de la sierra, utilizando el extremo delantero del pie como punto de bisagra.

⚠ ADVERTENCIA Una vez que la placa-base descansa en posición plana sobre la superficie que se vaya a cortar, libere el protector inferior y mueva la mano que sujeta la parte delantera de la placa-base para sujetar el mango auxiliar.

g. Proceda a cortar en sentido hacia delante hasta el final del corte.

⚠ ADVERTENCIA Deje que la hoja se detenga por completo antes de levantar la sierra para retirarla del corte.

⚠ ADVERTENCIA No jale nunca la sierra hacia atrás, ya que la hoja trepará hasta salirse del material y ocurrirá RETROCESO.

h. Dé la vuelta a la sierra y acabe el corte de manera normal, aserrando hacia delante.

i. Si cuando realiza un corte por inmersión las esquinas no quedan cortadas de manera que se atraviesen completamente, utilice una sierra caladora o una sierra de mano para acabarlas.

MANTENIMIENTO

⚠ ADVERTENCIA Para evitar lesiones personales graves, siempre retire el paquete de baterías de la herramienta cuando limpie o realice cualquier mantenimiento.

Reparación

⚠ ADVERTENCIA El mantenimiento preventivo realizado por personal no autorizado puede derivar en la mala colocación de los cables y componentes internos, lo que podría crear un riesgo grave. Recomendamos que toda reparación de la herramienta la realice un centro de servicio de la fábrica SKIL o una estación de servicio autorizada de SKIL.

Mantenimiento general

⚠ ADVERTENCIA Al realizar mantenimiento, utilice solo piezas de repuesto idénticas. Si utiliza cualquier otra pieza, puede crear un peligro o causar daños en el producto.

Inspeccione el producto periódicamente para verificar que no haya piezas dañadas, faltantes o flojas, como tornillos, tuercas, pernos, tapas, etc. Apriete bien todos los sujetadores y las tapas y no use el producto hasta que se hayan reemplazado las piezas faltantes o dañadas. Si necesita más ayuda, póngase en contacto con el Servicio al Cliente o el centro de servicio autorizado.

Limpieza

⚠ ADVERTENCIA La herramienta se puede limpiar mejor con aire comprimido seco. Siempre use gafas de seguridad al usar herramientas de limpieza con aire comprimido. Las aberturas de ventilación y las palancas del interruptor deben mantenerse limpias y libres de materiales extraños. No intente limpiar insertando objetos puntiagudos a través de las aberturas.

⚠ ADVERTENCIA Determinados solventes y productos de limpieza dañan las piezas de plástico. Algunos de estos son: gasolina, tetracloruro de carbono, solventes de limpieza con cloro, amoníaco y detergentes domésticos que contienen amoníaco.

Almacenamiento

Almacene la herramienta en un lugar cerrado que no sea accesible para los niños. Manténgala alejada de agentes corrosivos.

Cuidado de las hojas

Las hojas se desafilan incluso al cortar madera normal. Si tiene que forzar la sierra hacia delante para cortar, en lugar de simplemente guiarla a través del corte, lo más probable es que la hoja esté desafilada o cubierta con resina de madera.

Cuando elimine goma y resina de madera de la hoja, retire el paquete de baterías y quite la hoja.

Recuerde que las hojas están diseñadas para cortar, así que debe manejarlas con cuidado. Limpie la hoja con queroseno o un solvente similar para eliminar la goma y la resina.

A menos que tenga experiencia en afilar hojas, le recomendamos que no lo intente. Reemplace la hoja desafilada.

RESOLUCIÓN DE PROBLEMAS

Problema	Causa	Remedio
La herramienta no arranca.	<ol style="list-style-type: none"> 1. El paquete de baterías está agotado. 2. El paquete de baterías no se instaló 3. El interruptor está quemado. 	<ol style="list-style-type: none"> 1. Cargue la batería. 2. Confirme que la batería está fija en la posición correcta y firmemente sujeta a la herramienta. 3. Haga que el interruptor sea reemplazado por un Centro de Servicio SKIL Autorizado o una Estación de Servicio SKIL Autorizada.
La hoja no alcanza su velocidad máxima.	<ol style="list-style-type: none"> 1. Batería baja. 	<ol style="list-style-type: none"> 1. Recargue el paquete de baterías o utilice un paquete de baterías completamente cargado.
Vibración excesiva	<ol style="list-style-type: none"> 1. Hoja desbalanceada. 2. La pieza de trabajo no está sujeta con abrazaderas o soportada adecuadamente. 	<ol style="list-style-type: none"> 1. Deseche la hoja y use una hoja diferente. 2. Fije con abrazaderas o soporte adecuadamente la pieza de trabajo de acuerdo con este manual
La hoja no sigue una línea recta.	<ol style="list-style-type: none"> 1. Los dientes de la hoja están desafilados. 2. El pie está desalineado o doblado. 3. La hoja está doblada. 	<ol style="list-style-type: none"> 1. Cambie a una hoja nueva. 2. Haga que la herramienta sea reparada por un Centro de Servicio SKIL Autorizado o una Estación de Servicio SKIL Autorizada. 3. Cambie a una hoja nueva.
El corte se atora, quema, detiene el motor al cortar al hilo.	<ol style="list-style-type: none"> 1. Hoja desafilada con triscado incorrecto de los dientes. 2. La hoja se atora. 3. Soporte inadecuado de la pieza de trabajo. 	<ol style="list-style-type: none"> 1. Deseche la hoja y use una hoja diferente. 2. Reensamble la hoja y apriete las arandelas de acuerdo con este manual. 3. Fije con abrazaderas o soporte adecuadamente la pieza de trabajo de acuerdo con este manual
La hoja resbala.	<ol style="list-style-type: none"> 1. La herramienta no corta la pieza de trabajo. 	<ol style="list-style-type: none"> 1. Reensamble la hoja y apriete las arandelas de acuerdo con este manual.

GARANTÍA LIMITADA PARA HERRAMIENTA SKIL

5 AÑO DE GARANTÍA LIMITADA

Chervon North America, Inc. ("Vendedor") garantiza únicamente al comprador original que ninguna HERRAMIENTA SKIL del consumidor presentará defectos en los materiales ni la mano de obra durante un periodo de cinco años a partir de la fecha de compra si el comprador original registra el producto dentro de los 30 días de realizada la compra. Las BATERÍAS y los CARGADORES tienen una garantía de 2 años. El registro del producto se puede completar en línea en www.Registtermyskil.com. Los compradores originales también deben conservar el recibo como comprobante de compra. EL PERÍODO DE GARANTÍA DE CINCO AÑOS PARA HERRAMIENTAS ESTÁ CONDICIONADA POR EL REGISTRO DEL PRODUCTO DENTRO DE LOS 30 DÍAS DE REALIZADA LA COMPRA. Si los compradores originales no registran el producto de manera oportuna, se aplicará la garantía limitada anterior durante tres años para las herramientas eléctricas. Todas las baterías y los cargadores permanecerán bajo la garantía limitada de dos años.

No obstante lo señalado anteriormente, si se usa una herramienta SKIL del consumidor para fines industriales, profesionales o comerciales, se aplicará la garantía anterior durante noventa días, sin considerar el registro.

LA ÚNICA OBLIGACIÓN DEL VENDEDOR Y SU ÚNICA SOLUCIÓN en virtud de esta garantía limitada y, en la medida en que lo permita la ley, cualquier garantía o condición implícita por la ley, será la reparación o el reemplazo, sin cargo, de las piezas que presentan defectos en el material o la mano de obra y que no se hayan usado de manera incorrecta, que no se hayan manejado sin la debida atención o que las hayan reparado personas que no sean el Vendedor o una estación de servicio autorizada. Para exponer un reclamo en virtud de esta garantía limitada, debe devolver el producto completo, con el transporte prepagado, a cualquier centro de servicio de la fábrica SKIL o a cualquier estación de servicio autorizada. Para comunicarse con las estaciones de servicio autorizadas de Skil para reparar su herramienta eléctrica, visite www.Registtermyskil.com o llame al 1-877-SKIL-999 (1-877-754-5999).

ESTA GARANTÍA LIMITADA NO SE APLICA A ARTÍCULOS ACCESORIOS, COMO HOJAS DE SIERRA CIRCULAR, BROCAS PARA TALADROS, BROCAS PARA REBAJADORAS, HOJAS DE SIERRA DE VAIVÉN, BANDAS DE LIJADO, DISCOS DE PULIDO Y OTROS ARTÍCULOS RELACIONADOS.

TODA GARANTÍA IMPLÍCITA APLICABLE A UN PRODUCTO DEBE ESTAR LIMITADA A LA MISMA DURACIÓN QUE LA DURACIÓN DE LAS GARANTÍAS EXPRESAS APLICABLES A DICHO PRODUCTO, SEGÚN SE ESTABLECIÓ EN EL PRIMER PÁRRAFO. ALGUNOS ESTADOS EN ESTADOS UNIDOS Y ALGUNAS PROVINCIAS EN CANADÁ NO PERMITEN LIMITACIONES SOBRE EL TIEMPO DE DURACIÓN DE UNA GARANTÍA IMPLÍCITA, DE MODO QUE LA LIMITACIÓN ANTES DESCRITA PUEDE QUE NO SE APLIQUE A USTED.

BAJO NINGUNA CIRCUNSTANCIA, EL VENDEDOR SERÁ RESPONSABLE DE DAÑOS ACCIDENTALES O RESULTANTES (INCLUIDA ENTRE OTRAS, LA RESPONSABILIDAD POR PÉRDIDA DE GANANCIAS) QUE SE ORIGINEN DE LA VENTA O EL USO DE ESTE PRODUCTO. ALGUNOS ESTADOS EN ESTADOS UNIDOS Y ALGUNAS PROVINCIAS EN CANADÁ NO PERMITEN LA EXCLUSIÓN O LIMITACIÓN DE DAÑOS ACCIDENTALES O RESULTANTES, DE MODO QUE LA LIMITACIÓN O EXCLUSIÓN ANTERIOR PUEDE QUE NO SE APLIQUE A USTED.

ESTA GARANTÍA LIMITADA LE OTORGA DERECHOS LEGALES ESPECÍFICOS, Y ES POSIBLE QUE TAMBIÉN TENGA OTROS DERECHOS QUE VARÍAN DE UN ESTADO A OTRO EN ESTADOS UNIDOS, DE UNA PROVINCIA A OTRA EN CANADÁ Y DE UN PAÍS A OTRO.

ESTA GARANTÍA LIMITADA SE APLICA SOLAMENTE A PRODUCTOS VENDIDOS EN ESTADOS UNIDOS DE AMÉRICA, CANADÁ Y EL COMMONWEALTH DE PUERTO RICO. PARA TENER UNA COBERTURA DE GARANTÍA EN OTROS PAÍSES, PÓNGASE EN CONTACTO CON SU DISTRIBUIDOR O IMPORTADOR DE SKIL.

© Chevron North America, 1203 E. Warrenville Rd, Naperville, IL 60563.

10/18

