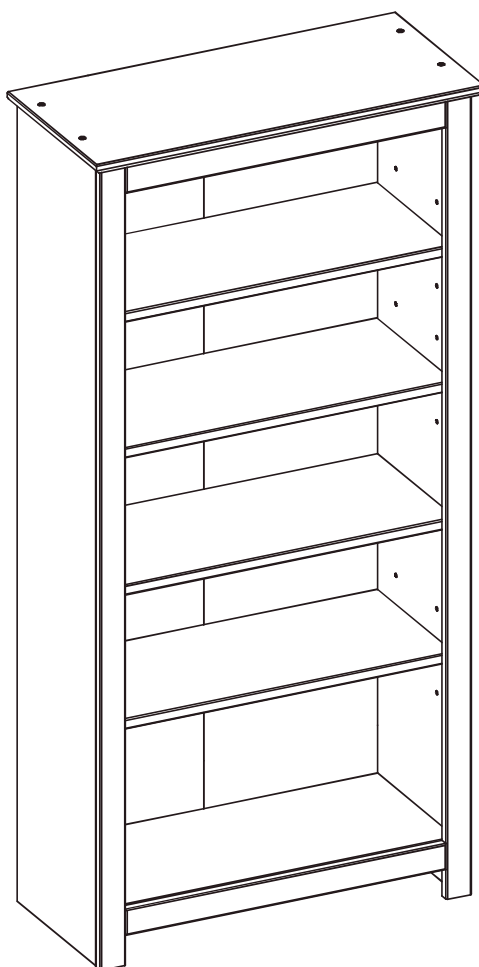


---

## USE AND CARE GUIDE

---

### Unfinished Basic Bookcase



Questions, problems, missing parts?  
Before returning to the store, call Customer Service.  
8 a.m. - 7 p.m., EST, Monday - Friday, 9 a.m. - 6 p.m., EST, Saturday

**1-877-527-0313**

**HOMEDEPOT.COM**

---

#### **THANK YOU**

*We appreciate the trust and confidence you have placed in StyleWell through the purchase of this Basic Bookcase . We strive to continually create quality products designed to enhance your home. Visit us online to see our full line of products available for your home improvement needs. Thank you for choosing StyleWell!*

# Table of Contents

Table of Contents .....	2	Assembly .....	11
Pre Assembly .....	3		
Pre Assembly .....	4		
Assembly .....	5		
Assembly .....	6		
Assembly .....	7		
Assembly .....	8		
Assembly .....	9		
Assembly .....	10		

# Safety Information

## DANGER

- Keep small parts away from children during assembly.
- Read and follow instructions carefully.

## WARNING

- Read these instructions carefully and keep in a safe place.
- TO GUARANTEE THE SAFE USE OF THIS PRODUCT, FOLLOW THE WARNINGS, GUIDELINES AND RECOMMENDATIONS IN THIS MANUAL.
- Adult assembly required.
- Small parts may present choking hazard prior to assembly.
- Do not stand, step or climb on unit.
- Unit must be placed on a level surface or leveled with included hardware (when application).
- Do not sit on or allow children to climb, sit or stand on the assembled product.
- For safety reasons, it is imperative that this unit be mounted to the wall.
- Do not use without installing the tip restraint.
- Unit can tip over causing severe injury or death.
- Never open more than one drawer at a time.
- Do not exceed the recommended weight limits.
- Evenly distribute the weight on each level and always keep the heavier loads on the bottom.
- Before cutting, drilling or hammering into any wall or floor surface, verify the location of electrical, plumbing and gas lines. Cutting may cause serious injury.

## CAUTION

- Do not use power tools to assemble your furniture. Power tools may strip or damage parts/product.
- Do not overtighten connectors (screws, bolts, etc.). Overtightening can lead to product damage.
- Be sure to check all packing materials carefully for small parts that may have come loose inside the carton during shipment. If parts are missing, contact THE HOME DEPOT to obtain any missing parts.
- DO NOT USE SUBSTITUTE PARTS.
- This product should only be used on a flat, level surface.
- Product is designed to hold 10 Kg. Exceeding this limit may damage the product or cause injury to the user.

# Warranty

## 1 YEAR WARRANTY

### WHAT IS COVERED

We guarantee this product to be free of manufacturing defects to the original purchaser for one year.

### WHAT IS NOT COVERED

This warranty does not cover commercial use, acts of nature, and abusive use.

# Pre-Assembly

## PLANNING ASSEMBLY

Read all instructions before assembly.

To avoid damaging this product, assemble it on a soft, non-abrasive surface such as carpet or cardboard.



**NOTE:** More than one person may be required to assemble this product.

## TOOLS REQUIRED



Safety goggles



Phillips screwdriver



Hammer

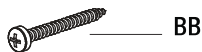
## HARDWARE INCLUDED



**NOTE:** Hardware not shown to actual size.



AA



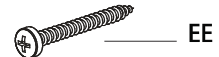
BB



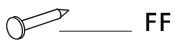
CC



DD



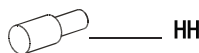
EE



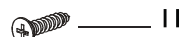
FF



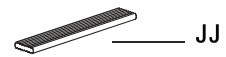
GG



HH



II



JJ



KK



LL



MM



NN

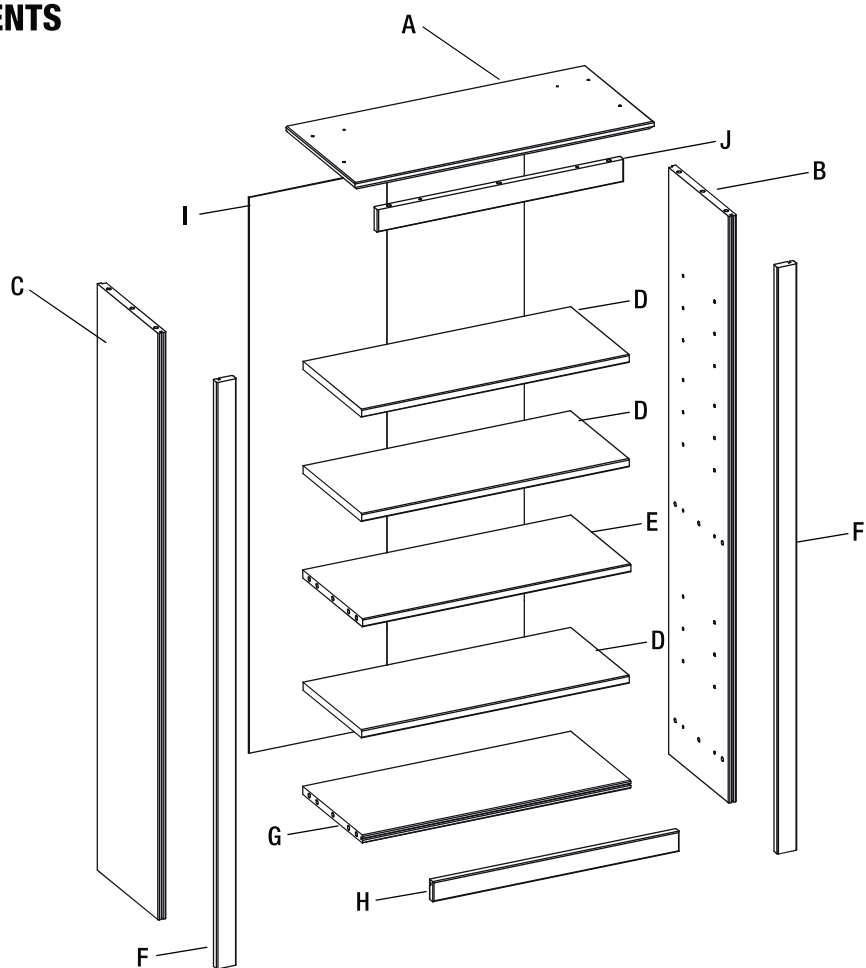


OO

Part	Description	Quantity
AA	8X30 Wooden dowel	21
BB	3.5x30 Screw	1
CC	6X44 Screw mini-fix	8
DD	14x10 Case mini-fix	8
EE	4.0x40 Screw	2
FF	8x8 Nail	24
GG	4.0x40 Screw	4
HH	6x12 Shelf Support	12
II	3.0x16 Screw	1
JJ	100x5 Plastic profile	10
KK	16x5 Washer	2
LL	6x20 Wall plastic dowel	1
MM	120mm Wall Strap	1
NN	Glue	1
OO	19x20 Nail in caps	4

# Pre-Assembly (continued)

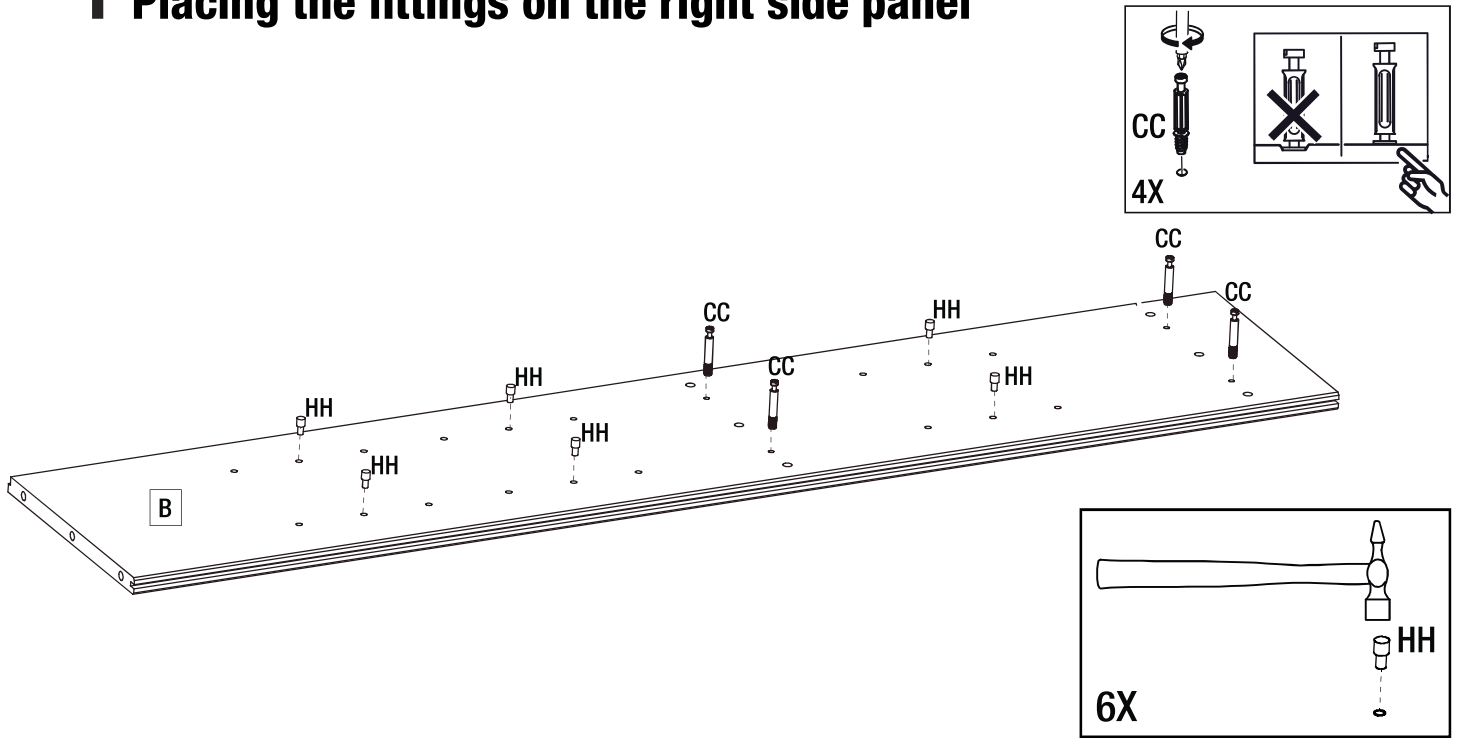
## PACKAGE CONTENTS



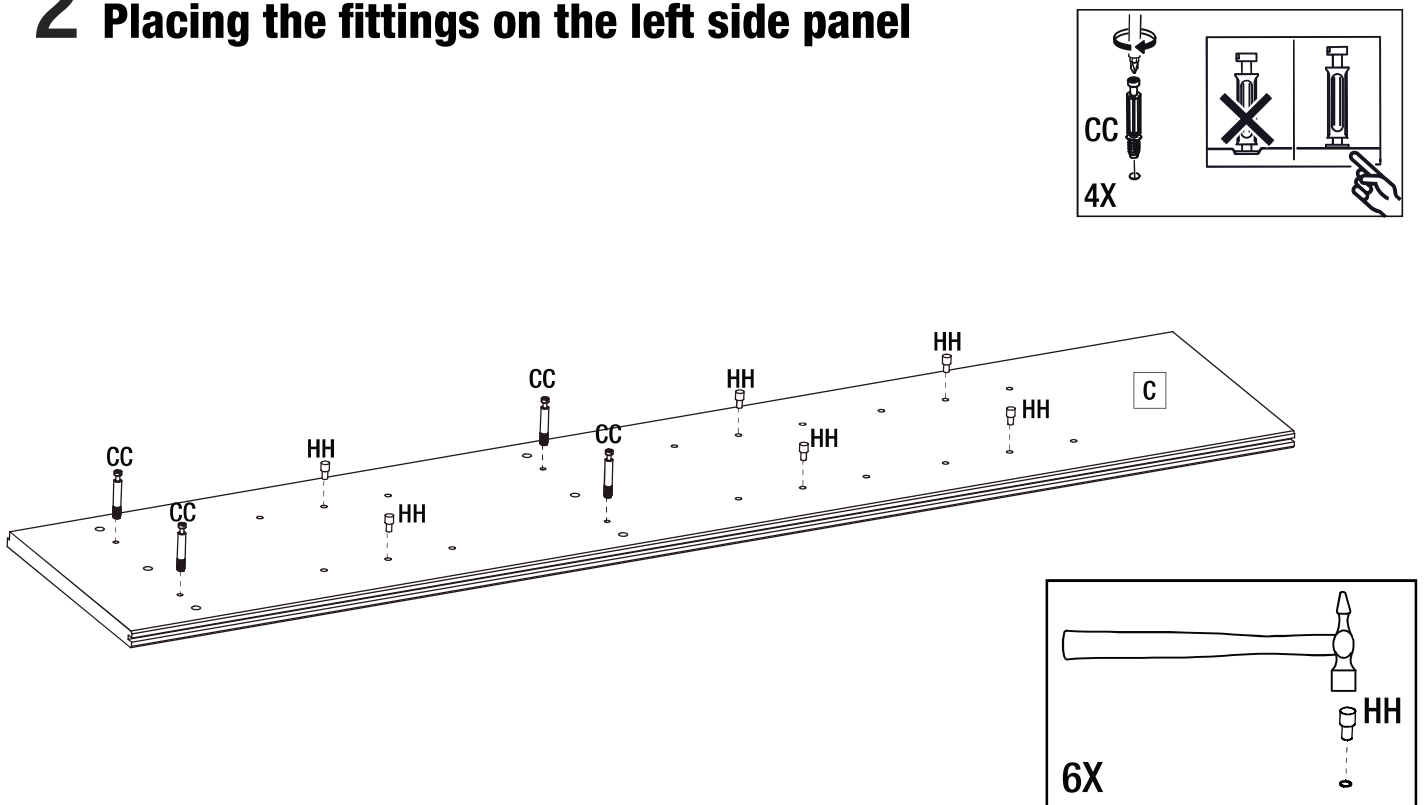
Part	Description	Quantity
A	Top Panel	1
B	Right Side	1
C	Left Side	1
D	Shelf	3
E	Fix Shelf	1
F	Side Rail	2
G	Base Panel	1
H	Rail	1
I	Back Panel	2
J	Front Rail	1

# Basic Bookcase Assembly

## 1 Placing the fittings on the right side panel

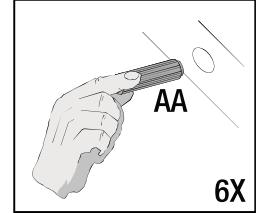
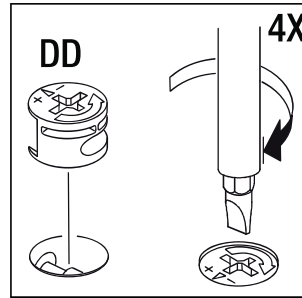
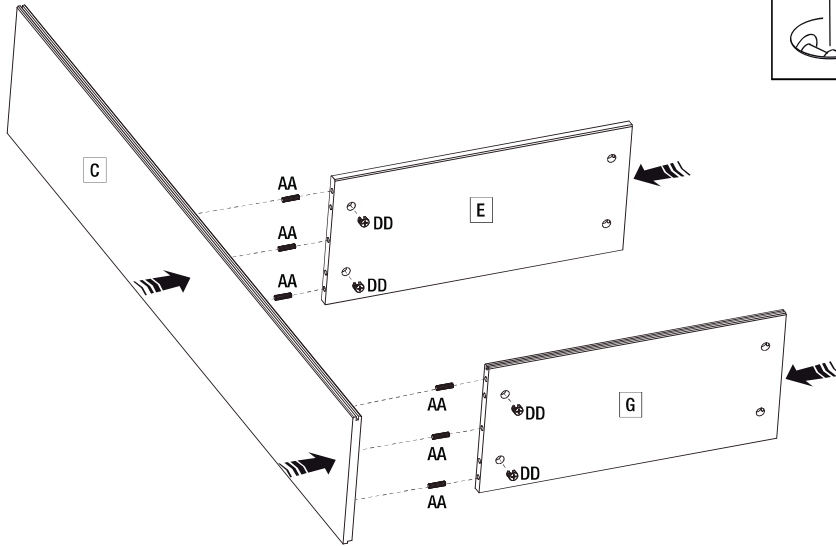


## 2 Placing the fittings on the left side panel

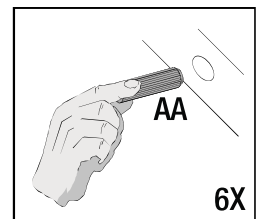
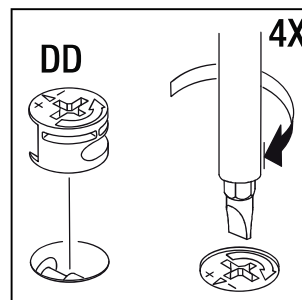
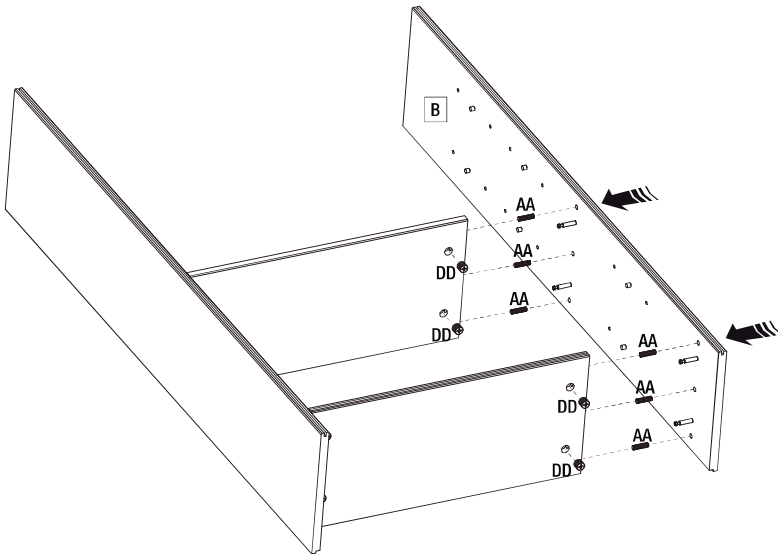


# Basic Bookcase Assembly

## 3 Attaching the shelves left side panel

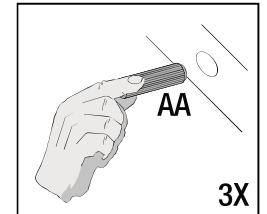
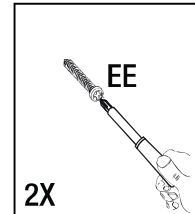
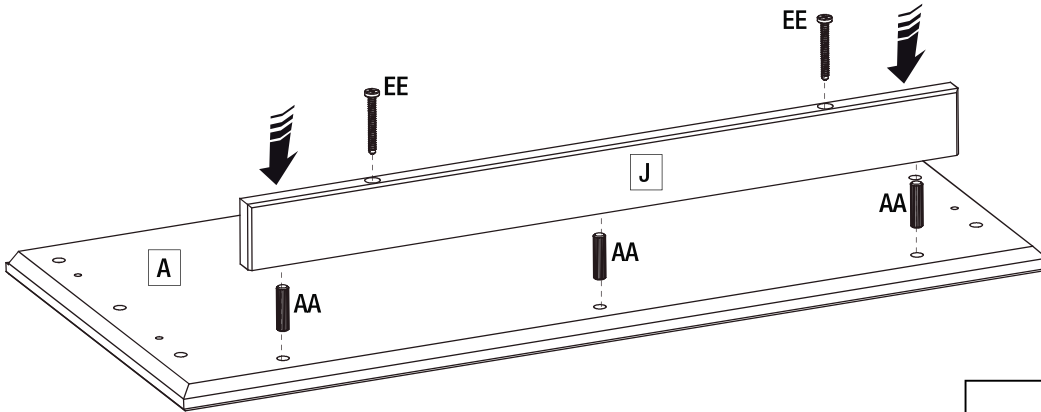


## 4 Attaching the right side panel to the shelves

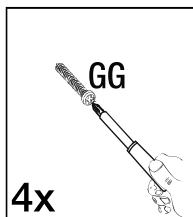
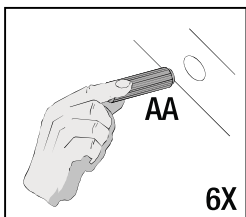
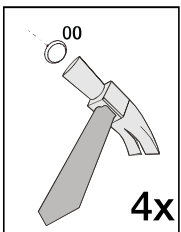
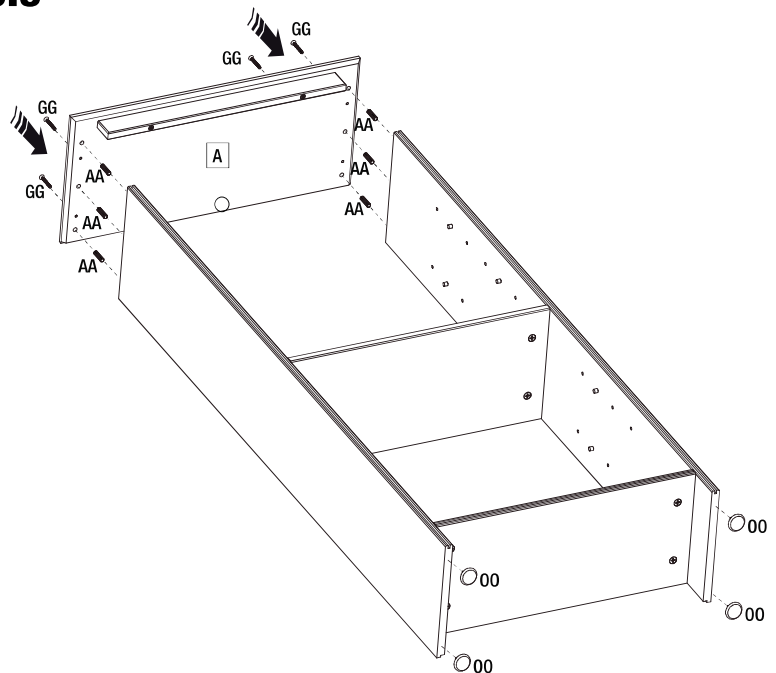


## Basic Bookcase Assembly

### 5 Attaching the front rail to the top panel

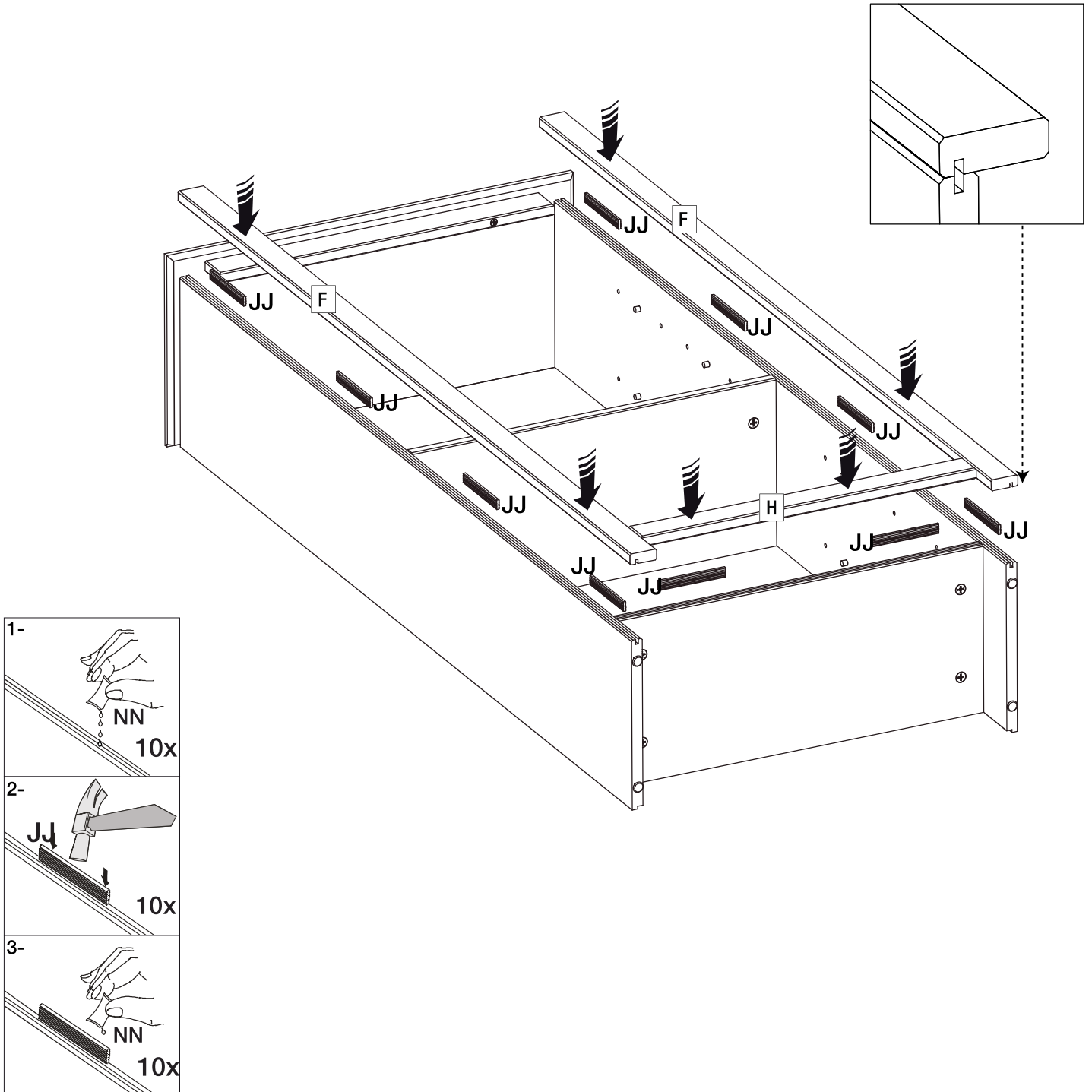


### 6 Connecting the top panel and placing the floor protection on the side panels



# Basic Bookcase Assembly

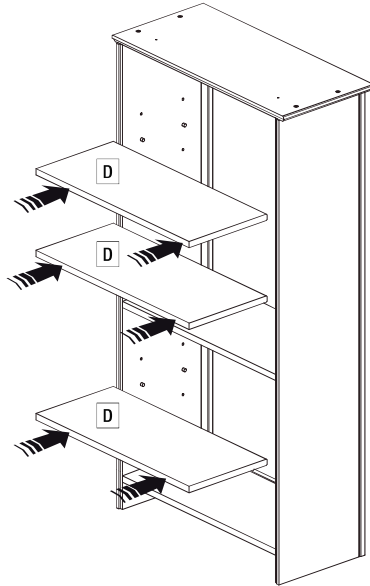
## 7 Attaching the side rails and rail to the bookcase





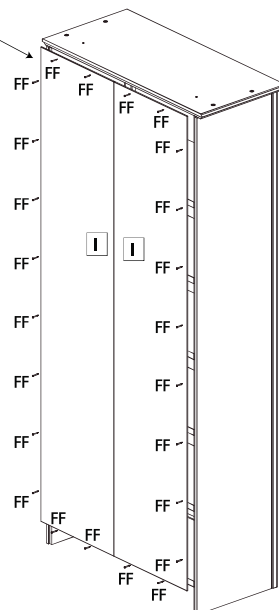
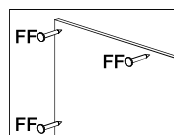
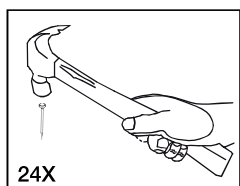
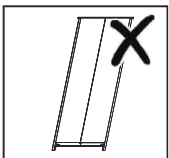
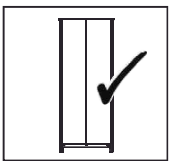
## Basic Bookcase Assembly

### 8 Adding the adjustable shelves on the Bookcase



### 9 Attaching the panels the bookcase

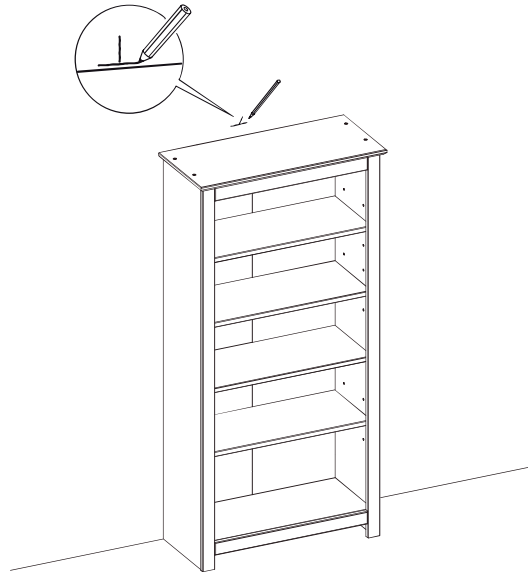
- Important: Cabinet Must be 'square' when back panel is attached
- Important: Use all back panels nails. Evenly spaced, they help make the unit strong.



## Basic Bookcase Assembly

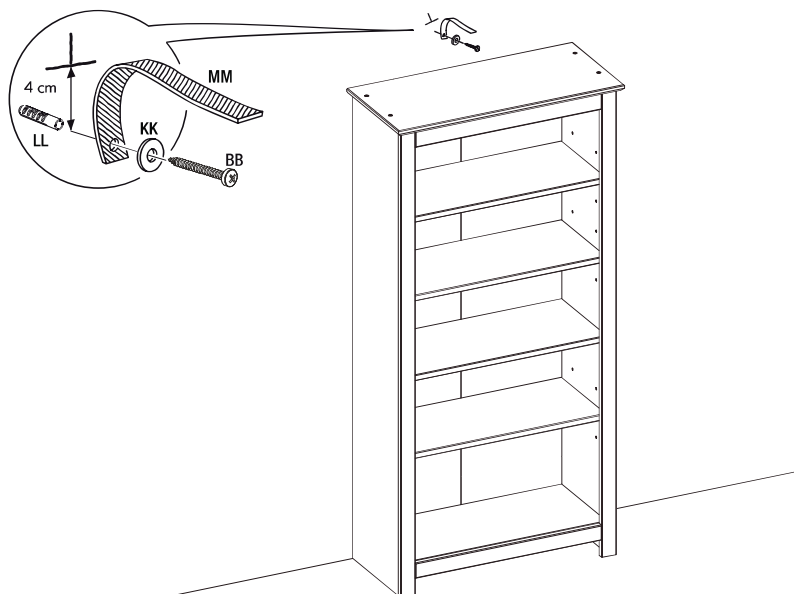
### 10 Placing the tipover restraint

- **Important:** Position the furniture into place and make a mark to the wall, as shown



### 11 Placing the Tipover restraint

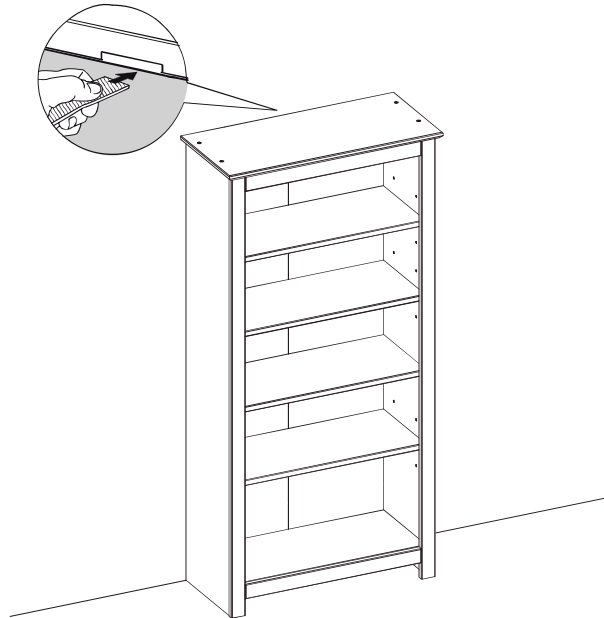
- **Important:** With help, carefully move the furniture away to access the mark in the wall. Drill hole on wall 4cm below the mark, as shown in the diagram.
- **Important:** Before drilling, check wall for hidden pipes and cables.



## Basic Bookcase Assembly

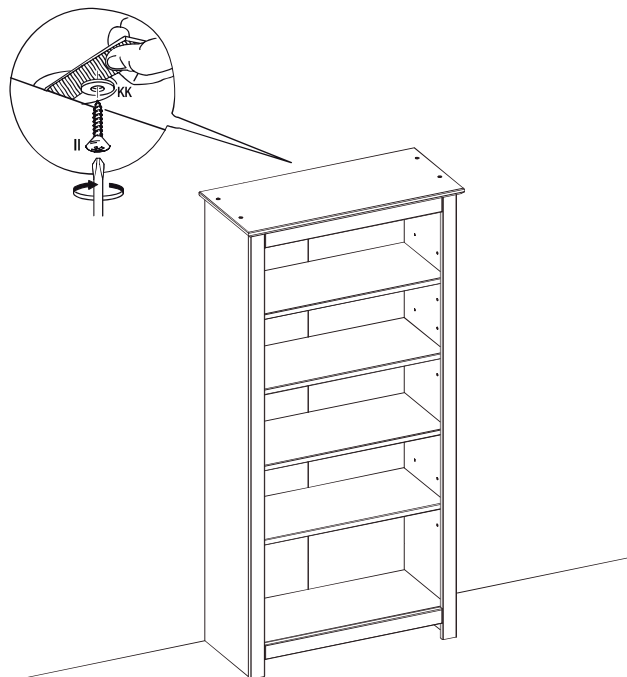
### 12 Placing the Tipover restraint

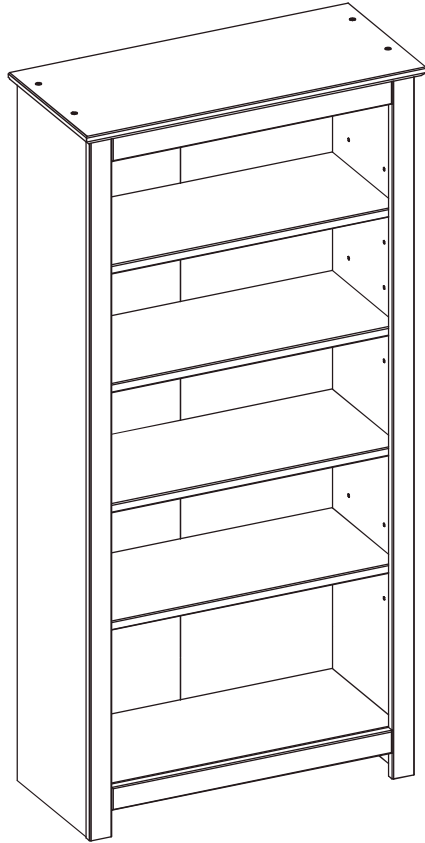
- **Important:** With help, carefully move the furniture back to position and insert wall strap into slot on the top panel as shown.



### 13 Placing the Tipover restraint

**Important:** Inside the cabinet, hold wall strap in position and fix it using washer and screw, as shown.





## Care and Cleaning

---

- For best results, clean the furniture with a damp cloth and dry thoroughly. This will help prevent mildew by removing dirt particles that may accumulate.
- Do not clean with abrasive materials, bleach, or solvents.
- Store the furniture in a dry, sheltered place when not in use.
- Keep the furniture away from fire, extreme heat, freezing conditions, and inclement weather such as rain, hail, sleet, snow, or wind.

# **StyleWell.™**

Questions, problems, missing parts?  
Before returning to the store, call Customer Service.  
8 a.m. - 7 p.m., EST, Monday - Friday, 9 a.m. - 6 p.m., EST, Saturday

**1-877-527-0313**

**HOMEDEPOT.COM**

Retain this manual for future use.