

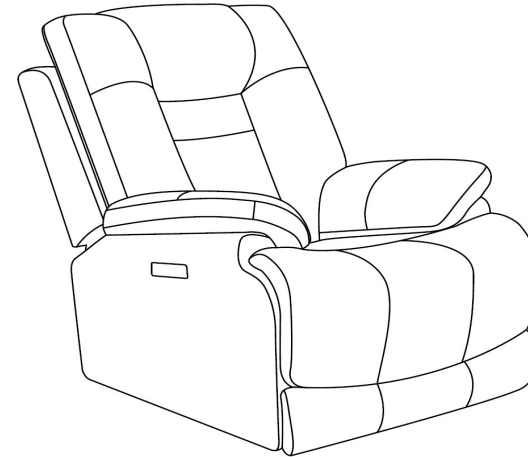
# LY & S Assembly Instructions

## Power Recliner

### IMPORTANT NOTE

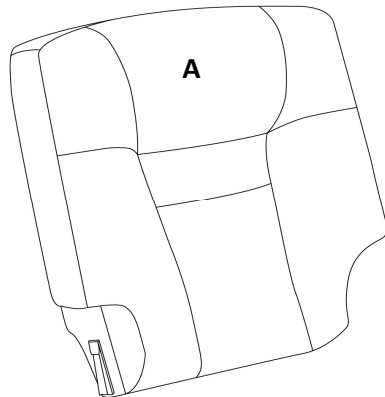
Read these instructions carefully, and familiarize yourself with each procedure before assembling the furniture. Check that you have all the component parts, and familiarize yourself with each part before proceeding.

Take all the fittings out of the plastic bag and separate them into groups. Ensure you have enough space to lay out all the parts before assembly. To prevent damage to the parts, we recommend that you assemble the unit on a soft, level surface.

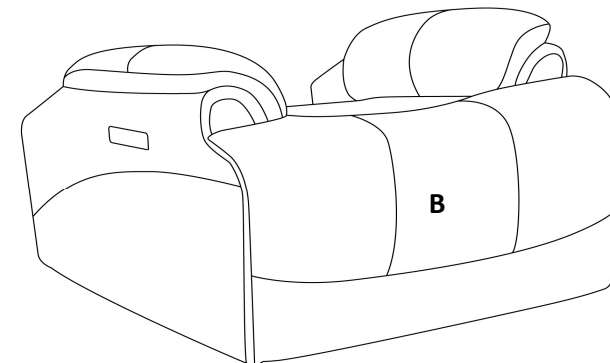


## Part List

A. Back  
1 piece



B. Seat x1; Wings x2; Transformer x1



# LY & S Assembly Instructions

## Assembly Instructions

### STEP 1

Detach the transformer and wings from the back and bottom of the Seat (B). (See Figure 1.)

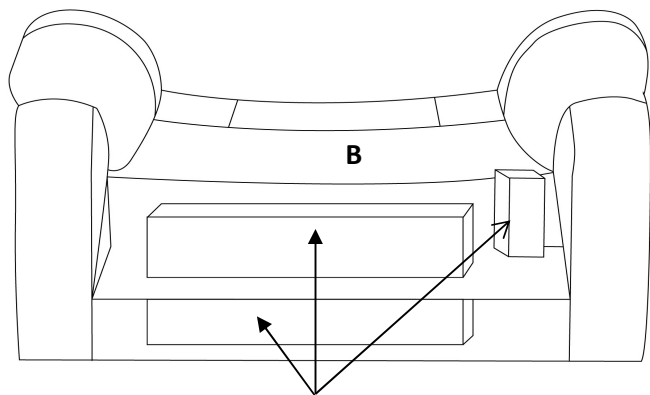


Figure 1

### STEP 2

Attach the Back (A) to the Seat (B). Ensure the latches fit well. (See Figure 2.)

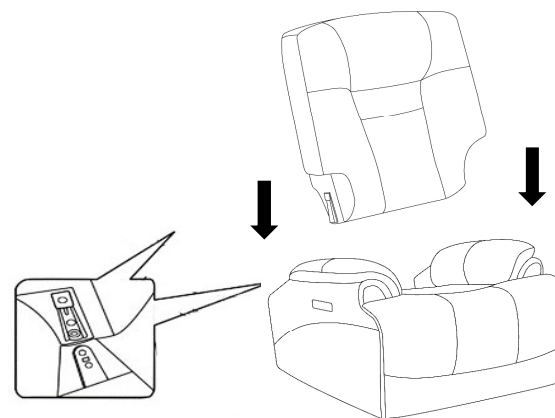


Figure 2

### STEP 3

Pass the headrest cable through the hole in the back of the seater (See Figure 3.)

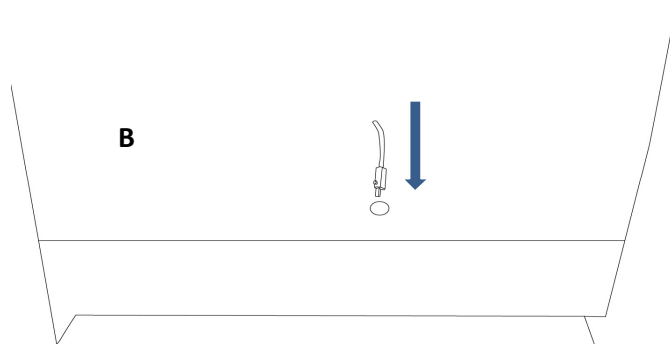


Figure 3

### STEP 4

Connect the headrest cable to the power button control cable, and place them behind the flap. Connect the transformer cable to the power button control cable, and place them behind the flap(See Figure 4.)

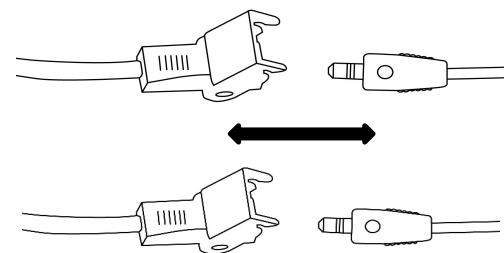


Figure 4

# LY & S Assembly Instructions

## STEP 5

Attach the Wings to the Bac (A). Ensure the latches fit well (See Figure 5.)

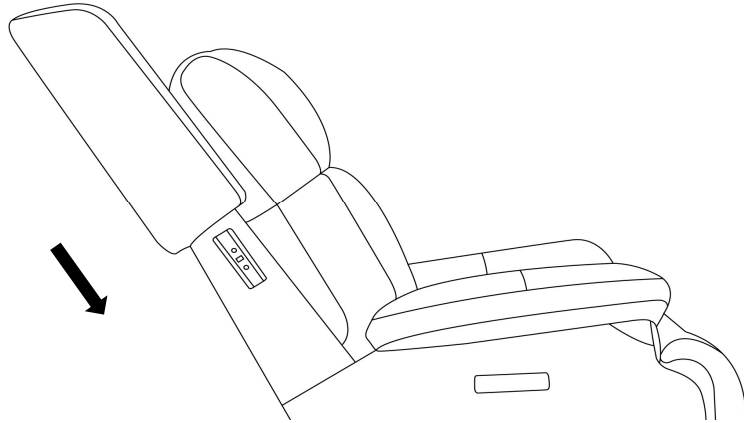


Figure 5

## STEP 6

Fasten the back flap to the bottom of the furniture. (See Figure 6.)

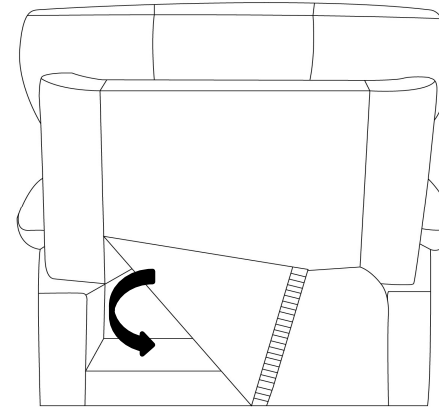


Figure 6

## IMPORTANT NOTE

- To avoid any risk of suffocation to children or pets, dispose of all plastic bags immediately.
- To ensure proper performance, occasionally check for loose screws and tighten as needed.
- If the reclining functions are not working properly, check for loose cable connections before contacting the retailer.