



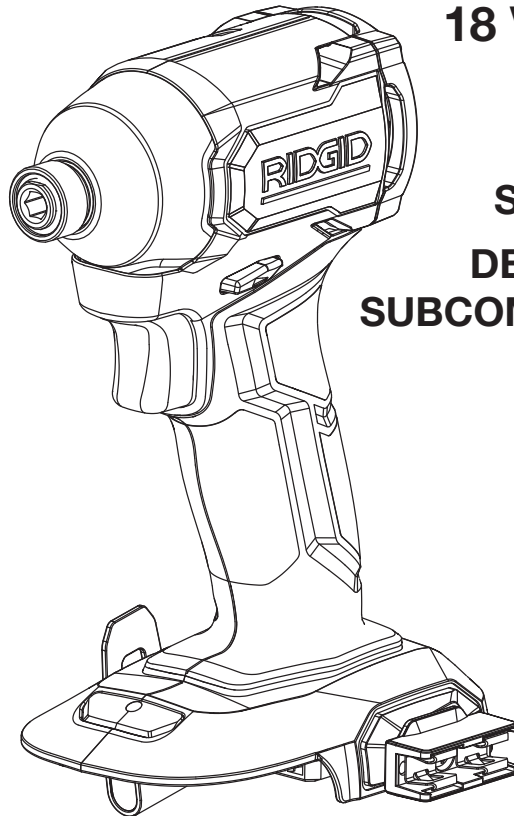
# OPERATOR'S MANUAL MANUEL D'UTILISATION MANUAL DEL OPERADOR

## 18 V SUBCOMPACT 4-MODE IMPACT DRIVER

### CLÉ À CHOCS SUBCOMPACT 18 V À 4 MODES

### DESTORNILLADOR DE IMPACTO SUBCOMPACTA, DE 18 V DE 4 MODOS

# R872311



To register your RIDGID product,  
please visit: [register.ridgidpower.com](http://register.ridgidpower.com)

Pour enregistrer votre produit de  
RIDGID, s'il vous plaît la visite :  
[register.ridgidpower.com](http://register.ridgidpower.com)

Para registrar su producto de RIDGID,  
por favor visita:  
[register.ridgidpower.com](http://register.ridgidpower.com)

#### TABLE OF CONTENTS

\*\*\*\*\*

- General Power Tool  
Safety Warnings.....2-3
- Impact Driver Safety Warnings..... 4
- Symbols.....5
- Features.....5
- Assembly.....6
- Operation.....6-7
- Maintenance.....7
- Illustrations .....8-9
- Parts Ordering and  
Service .....Back page

#### TABLE DES MATIÈRES

\*\*\*\*\*

- Avertissements de sécurité générales  
relatives aux outils électriques.....2-3
- Avertissements de sécurité relatifs  
au clé à chocs..... 4
- Symboles.....5
- Caractéristiques .....5
- Assemblage.....6
- Utilisation .....6-7
- Entretien .....7
- Illustrations .....8-9
- Commande de pièces et  
dépannage ..... Page arrière

#### ÍNDICE DE CONTENIDO

\*\*\*\*\*

- Advertencias de seguridad  
para herramientas eléctrica ..... 2-3
- Advertencias de seguridad  
destornillador de impacto.....4
- Símbolos.....5
- Características.....5
- Armado .....6
- Funcionamiento .....6-7
- Mantenimiento.....7
- Ilustraciones.....8-9
- Pedidos de piezas y  
servicio ..... Pág. posterior

#### **WARNING:**

To reduce the risk of injury, the user must read and understand the operator's manual before using this product.

#### **AVERTISSEMENT :**

Pour réduire les risques de blessures, l'utilisateur doit lire et veiller à bien comprendre le manuel d'utilisation avant d'utiliser ce produit.

#### **ADVERTENCIA:**

Para reducir el riesgo de lesiones, el usuario debe leer y comprender el manual del operador antes de usar este producto.

**SAVE THIS MANUAL  
FOR FUTURE REFERENCE**

**CONSERVER CE MANUEL  
POUR FUTURE RÉFÉRENCE**

**GUARDE ESTE MANUAL  
PARA FUTURAS CONSULTAS**

# GENERAL POWER TOOL SAFETY WARNINGS

## WARNING

Read all safety warnings, instructions, illustrations and specifications provided with this power tool. Failure to follow all instructions listed below may result in electric shock, fire and/or serious injury.

### Save all warnings and instructions for future reference.

The term “power tool” in the warnings refers to your mains-operated (corded) power tool or battery-operated (cordless) power tool.

## WORK AREA SAFETY

- **Keep work area clean and well lit.** Cluttered or dark areas invite accidents.
- **Do not operate power tools in explosive atmospheres, such as in the presence of flammable liquids, gases or dust.** Power tools create sparks which may ignite the dust or fumes.
- **Keep children and bystanders away while operating a power tool.** Distractions can cause you to lose control.

## ELECTRICAL SAFETY

- **Power tool plugs must match the outlet. Never modify the plug in any way. Do not use any adapter plugs with earthed (grounded) power tools.** Unmodified plugs and matching outlets will reduce risk of electric shock.
- **Avoid body contact with earthed or grounded surfaces, such as pipes, radiators, ranges and refrigerators.** There is an increased risk of electric shock if your body is earthed or grounded.
- **Do not expose power tools to rain or wet conditions.** Water entering a power tool will increase the risk of electric shock.
- **Do not abuse the cord. Never use the cord for carrying, pulling or unplugging the power tool. Keep cord away from heat, oil, sharp edges or moving parts.** Damaged or entangled cords increase the risk of electric shock.
- **When operating a power tool outdoors, use an extension cord suitable for outdoor use.** Use of a cord suitable for outdoor use reduces the risk of electric shock.
- **If operating a power tool in a damp location is unavoidable, use a ground fault circuit interrupter (GFCI) protected supply.** Use of a GFCI reduces the risk of electric shock.
- **Use battery only with charger listed.** For use with 18V lithium-ion battery packs, see tool/appliance/battery pack/charger correlation supplement 988000-302.

## PERSONAL SAFETY

- **Stay alert, watch what you are doing and use common sense when operating a power tool. Do not use a power tool while you are tired or under the influence of drugs, alcohol or medication.** A moment of inattention while operating power tools may result in serious personal injury.
- **Use personal protective equipment. Always wear eye protection.** Protective equipment such as dust mask, non-skid safety shoes, hard hat or hearing protection used for appropriate conditions will reduce personal injuries.
- **Prevent unintentional starting. Ensure the switch is in the off-position before connecting to power source and/or battery pack, picking up or carrying the tool.** Carrying power tools with your finger on the switch or energizing power tools that have the switch on invites accidents.
- **Remove any adjusting key or wrench before turning the power tool on.** A wrench or a key left attached to a rotating part of the power tool may result in personal injury.
- **Do not overreach. Keep proper footing and balance at all times.** This enables better control of the power tool in unexpected situations.
- **Dress properly. Do not wear loose clothing or jewelry. Keep your hair and clothing away from moving parts.** Loose clothes, jewelry or long hair can be caught in moving parts.
- **If devices are provided for the connection of dust extraction and collection facilities, ensure these are connected and properly used.** Use of dust collection can reduce dust-related hazards.
- **Do not let familiarity gained from frequent use of tools allow you to become complacent and ignore tool safety principles.** A careless action can cause severe injury within a fraction of a second.
- **Do not wear loose clothing or jewelry.** Contain long hair. Loose clothes, jewelry, or long hair can be drawn into air vents.
- **Do not use on a ladder or unstable support.** Stable footing on a solid surface enables better control of the power tool in unexpected situations.

## POWER TOOL USE AND CARE

- **Do not force the power tool. Use the correct power tool for your application.** The correct power tool will do the job better and safer at the rate for which it was designed.
- **Do not use the power tool if the switch does not turn it on and off.** Any power tool that cannot be controlled with the switch is dangerous and must be repaired.
- **Disconnect the plug from the power source and/or remove the battery pack, if detachable, from the power tool before making any adjustments, changing accessories, or storing power tools.** Such preventive safety measures reduce the risk of starting the power tool accidentally.

# GENERAL POWER TOOL SAFETY WARNINGS

---

- **Store idle power tools out of the reach of children and do not allow persons unfamiliar with the power tool or these instructions to operate the power tool.** Power tools are dangerous in the hands of untrained users.
- **Maintain power tools and accessories. Check for misalignment or binding of moving parts, breakage of parts and any other condition that may affect the power tool's operation. If damaged, have the power tool repaired before use.** Many accidents are caused by poorly maintained power tools.
- **Keep cutting tools sharp and clean.** Properly maintained cutting tools with sharp cutting edges are less likely to bind and are easier to control.
- **Use the power tool, accessories and tool bits etc. in accordance with these instructions, taking into account the working conditions and the work to be performed.** Use of the power tool for operations different from those intended could result in a hazardous situation.
- **Keep handles and grasping surfaces dry, clean and free from oil and grease.** Slippery handles and grasping surfaces do not allow for safe handling and control of the tool in unexpected situations.
- **When battery pack is not in use, keep it away from other metal objects, like paper clips, coins, keys, nails, screws or other small metal objects, that can make a connection from one terminal to another.** Shorting the battery terminals together may cause burns or a fire.
- **Under abusive conditions, liquid may be ejected from the battery; avoid contact. If contact accidentally occurs, flush with water. If liquid contacts eyes, additionally seek medical help.** Liquid ejected from the battery may cause irritation or burns.
- **Do not use a battery pack or tool that is damaged or modified.** Damaged or modified batteries may exhibit unpredictable behavior resulting in fire, explosion, or risk of injury.
- **Do not expose a battery pack or tool to fire or excessive temperature.** Exposure to fire or temperature above 265°F may cause explosion.
- **Follow all charging instructions and do not charge the battery pack or tool outside the temperature range specified in the instructions.** Charging improperly or at temperatures outside the specified range may damage the battery and increase the risk of fire.

## BATTERY TOOL USE AND CARE

- **Recharge only with the charger specified by the manufacturer.** A charger that is suitable for one type of battery pack may create a risk of fire when used with another battery pack.
- **Use power tools only with specifically designated battery packs.** Use of any other battery packs may create a risk of injury and fire.

## SERVICE

- **Have your power tool serviced by a qualified repair person using only identical replacement parts.** This will ensure that the safety of the power tool is maintained.
- **Never service damaged battery packs.** Service of battery packs should only be performed by the manufacturer or authorized service provider.

# IMPACT DRIVER SAFETY WARNINGS

---

## SAFETY INSTRUCTIONS FOR ALL OPERATIONS

- **Hold the power tool by insulated gripping surfaces, when performing an operation where the cutting accessory or fasteners may contact hidden wiring.** Cutting accessory or fasteners contacting a “live” wire may make exposed metal parts of the power tool “live” and could give the operator an electric shock.
- **Wear ear protectors with impact drivers.** Exposure to noise can cause hearing loss.
- **Do not use the impact driver as a drill.** The impact driver is not designed to be used as a drill.

## ADDITIONAL SAFETY INSTRUCTIONS




- **Know your power tool. Read operator’s manual carefully. Learn its applications and limitations, as well as the specific potential hazards related to this power tool.** Following this rule will reduce the risk of electric shock, fire, or serious injury.
- **Always wear eye protection with side shields marked to comply with ANSI Z87.1 when assembling parts, operating the tool, or performing maintenance.** Following this rule will reduce the risk of serious personal injury.
- **Protect your lungs. Wear a face or dust mask if the operation is dusty.** Following this rule will reduce the risk of serious personal injury.
- **Protect your hearing. Wear hearing protection during extended periods of operation.** Following this rule will reduce the risk of serious personal injury. If at any time you become uncomfortable or the length of your task is long, hearing protection is recommended.
- **Battery tools do not have to be plugged into an electrical outlet; therefore, they are always in**

operating condition. **Be aware of possible hazards when not using your battery tool or when changing accessories.** Following this rule will reduce the risk of electric shock, fire, or serious personal injury.






- **Do not place battery tools or their batteries near fire or heat.** This will reduce the risk of explosion and possibly injury.
- **Do not crush, drop or damage battery pack. Do not use a battery pack or charger that has been dropped or received a sharp blow.** A damaged battery is subject to explosion. Properly dispose of a dropped or damaged battery immediately.
- **Batteries can explode in the presence of a source of ignition, such as a pilot light.** To reduce the risk of serious personal injury, never use any cordless product in the presence of open flame. An exploded battery can propel debris and chemicals. If exposed, flush with water immediately.
- **Do not charge battery tool in a damp or wet location. Do not use, store, or charge battery packs or products in locations where the temperature is less than 50°F or more than 100°F.** Do not store outside or in vehicles.
- **Under extreme usage or temperature conditions, battery leakage may occur. If liquid comes in contact with your skin, wash immediately with soap and water. If liquid gets into your eyes, flush them with clean water for at least 10 minutes, then seek immediate medical attention.** Following this rule will reduce the risk of serious personal injury.
- **Save these instructions.** Refer to them frequently and use them to instruct others who may use this tool. If you loan someone this tool, loan them these instructions also.

# SYMBOLS

The following signal words and meanings are intended to explain the levels of risk associated with this product.

| SYMBOL  | SIGNAL          | MEANING  |
|---|-----------------|--|
|  | <b>DANGER:</b>  | Indicates a hazardous situation, which, if not avoided, will result in death or serious injury.  |
|  | <b>WARNING:</b> | Indicates a hazardous situation, which, if not avoided, could result in death or serious injury.   |
|  | <b>CAUTION:</b> | Indicates a hazardous situation, that, if not avoided, may result in minor or moderate injury.   |
|   | <b>NOTICE:</b>  | (Without Safety Alert Symbol) Indicates information considered important, but not related to a potential injury (e.g. messages relating to property damage). |

Some of the following symbols may be used on this product. Please study them and learn their meaning. Proper interpretation of these symbols will allow you to operate the product better and safer.

| SYMBOL  | NAME                   | DESIGNATION/EXPLANATION   |
|---|------------------------|---|
|    | Safety Alert           | Indicates a potential personal injury hazard.   |
|    | Read Operator's Manual | To reduce the risk of injury, user must read and understand operator's manual before using this product.  |
|   | Eye Protection         | Always wear eye protection with side shields marked to comply with ANSI Z87.1.  |
|  | Wet Conditions Alert   | Do not expose to rain or use in damp locations.   |
|  | Recycle Symbol         | This product uses lithium-ion (Li-ion) batteries. Local, state, or federal laws may prohibit disposal of batteries in ordinary trash. Consult your local waste authority for information regarding available recycling and/or disposal options. |
| V   | Volts                  | Voltage   |
| min   | Minutes                | Time  |
| —   | Direct Current         | Type or a characteristic of current   |
| $n_0$   | No Load Speed          | Rotational speed, at no load  |
| .../min   | Per Minute             | Revolutions, strokes, surface speed, orbits etc., per minute  |

# FEATURES

## PRODUCT SPECIFICATIONS

Coupler..... 1/4 in.  
 Impacts per minute .....0-4,200/min  
 Max Torque..... 1,850 in.-lbs

### No Load Speeds:

Low (1) .....0-900/min. (RPM)  
 Medium (2).....0-2,000/min. (RPM)  
 High (3).....0-2,900/min. (RPM)  
 Self-Tapping Mode (⚙️).....0-2,150/min. (RPM)

# ASSEMBLY

---

## **WARNING:**

Do not use this product if it is not completely assembled or if any parts appear to be missing or damaged. Use of a product that is not properly and completely assembled or with damaged or missing parts could result in serious personal injury.

---

## **WARNING:**

Do not attempt to modify this product or create accessories or attachments not recommended for use with this product. Any such alteration or modification is misuse and could result in a hazardous condition leading to possible serious personal injury.

---

If any parts are damaged or missing, please call 1-866-539-1710 for assistance.

# OPERATION

---

## **WARNING:**

Do not allow familiarity with this product to make you careless. Remember that a careless fraction of a second is sufficient to inflict serious injury.

---

## **WARNING:**

Always remove battery pack from the tool when you are assembling parts, making adjustments, cleaning, or when not in use. Removing battery pack will prevent accidental starting that could cause serious personal injury.

---

## **WARNING:**

Always wear eye protection with side shields marked to comply with ANSI Z87.1. Failure to do so could result in objects being thrown into your eyes and other possible serious injuries.

---

## **WARNING:**

Do not use any attachments or accessories not recommended by the manufacturer of this product. The use of attachments or accessories not recommended can result in serious personal injury.

---

## APPLICATIONS

You may use this tool for the purposes listed below:

- Driving, tightening, and removing screws, nuts, and bolts

## INSTALLING/REMOVING BELT HOOK OR BIT HOLDER

See Figure 1, page 9.

The belt hook and bit holder are interchangeable. They may be installed on either side of the base.

- Align hole in belt hook or bit holder with hole in tool's base.
- Install screw to secure belt hook or bit holder in place.
- To uninstall, remove screw and then belt hook or bit holder.

## DIRECTION OF ROTATION SELECTOR (FORWARD/REVERSE/CENTER LOCK)

See Figure 2, page 9.

Set the direction of rotation selector in the **OFF** (center lock) position to lock the switch trigger and help prevent accidental starting when not in use.

Position the direction of rotation selector to the left of the switch trigger for forward operation. Position the selector to the right of the switch trigger to reverse the direction.

**NOTE:** The tool will not run unless the direction of rotation selector is pushed fully to the left or right.

---

## **NOTICE:**

To prevent gear damage, always allow the coupler to come to a complete stop before changing the direction of rotation.

---

## **WARNING:**

Battery tools are always in operating condition. Lock the switch when not in use or carrying at your side, when installing or removing the battery pack, and when installing or removing bits.

---

## VARIABLE SPEED SWITCH TRIGGER

See Figure 2, page 9.

The variable speed switch trigger delivers higher speed with increased trigger pressure and lower speed with decreased trigger pressure.

To turn the driver **ON**, depress the switch trigger. To turn it **OFF**, release the switch trigger and allow the chuck to come to a complete stop.

**NOTE:** A whistling or ringing noise coming from the switch during use is a normal part of the switch function.

**NOTE:** Running at low speeds under constant usage may cause the driver to become overheated. If this occurs, cool the driver by running it without a load and at full speed.

# OPERATION

---

## INSTALLING/REMOVING BATTERY PACK

See Figure 3, page 9.

- Lock the switch trigger.
- Insert the battery pack into the product as shown.
- Make sure the latches on each side of the battery pack snap in place and battery pack is secured before beginning operation.
- Depress the latches to remove the battery pack.

For complete charging instructions, see the operator's manuals for your battery pack and charger.

## INSTALLING/REMOVING BITS

See Figure 4, page 9.

- **To install bits**, remove the battery pack from the tool.
- Push the bit into the coupler until it clicks into place.  
**NOTE:** If the bit does not insert easily into the coupler, pull the coupler forward and reinsert the bit.
- Pull on the bit to make sure it is secured in the coupler. There may be some play in the installed bit; this is normal.  
**NOTE:** Use only impact quality bits with a locking groove.

---


### **WARNING:**


Make sure the bit is secured in the coupler before using the impact driver. Failure to do so could cause serious personal injury.

- 
- **To remove bits**, remove the battery pack from the tool.
  - With the nose of the tool pointed away from you, pull the coupler away from the driver.
  - The bit will eject from the coupler.

## MODE SELECTOR


See Figure 5, page 9.

Press the mode selector to cycle between Low (1) speed, Medium (2) speed, High (3) speed, and Self-tapping Mode (.

The self-tapping mode () function is designed to reduce screw stripping, screw breakage, and damage to work surfaces when driving self-tapping screws. When driving fasteners (forward setting), the impact driver will start fast to drive the fastener through the workpiece and then slow the speed to finish.

**NOTE:** In the reverse setting, the impact driver will resume normal operation.

The range of speeds available in each setting are:

- Low (1) ..... 0-900 RPM
- Medium (2) ..... 0-2,000RPM
- High (3) ..... 0-2,900 RPM
- Self-Tapping Mode () ..... 0-2,150 RPM

---

### **NOTICE:**

The impact driver is not designed to be used as a drill.

---

## LED LIGHT

See Figure 5, page 9.

The LED light located on the front of the tool base illuminates when the switch trigger is depressed.

If the tool is not in use, the time-out feature will cause the light to start fading and then shut off.

The LED light illuminates only when there is a charged battery pack in the tool.

## USING THE IMPACT DRIVER

See Figures 6 - 7, page 9.

---

### **NOTICE:**

The impact driver is not designed to be used as a drill.

---

### **WARNING:**

Do not drive a screw where there is likely to be hidden wiring behind the surface. Contact with a "live" wire will make exposed metal parts of the tool "live" and possibly shock the operator. If you must drive a screw where hidden wire may be present, always hold tool by insulated gripping surfaces (handle) when performing the operation to prevent a shock to the operator.

- 
- Check the direction of rotation selector for the correct setting (forward or reverse).
  - Hold the impact driver with one hand.
  - Place the bit on the screw head, bolt head, or nut and slowly depress the switch trigger. Start the bit slowly for more control.
  - As the screw, bolt, or nut is driven, impacting will begin.

## ELECTRIC BRAKE

The electric brake will stop the bit rotation after the operator releases the switch trigger.

---

**NOTE: MAINTENANCE INFORMATION BEGINS ON PAGE 8 AFTER FRENCH AND SPANISH LANGUAGE SECTIONS. ILLUSTRATIONS START ON PAGE 9.**

**This product has a 90-Day Satisfaction Guarantee Policy, as well as a Three-year Limited Warranty. For Warranty and Policy details, please go to [powertools.ridgid.com](http://powertools.ridgid.com) or call (toll free) 1-866-539-1710.**

# AVERTISSEMENTS DE SÉCURITÉ GÉNÉRALES RELATIVES AUX OUTILS ÉLECTRIQUES

## AVERTISSEMENT

**Lire les avertissements de sécurité, les instructions et les précisions et consulter les illustrations fournis avec cet outil électrique.**

Le fait de ne pas se conformer à l'ensemble des consignes présentées ci-dessous risque d'entraîner des décharges électriques, un incendie et/ou des blessures graves.

**Conserver les avertissements et les instructions à des fins de référence ultérieure.** Le terme « outil motorisé », utilisé dans tous les avertissements ci-dessous désigne tout outil fonctionnant sur secteur (câblé) ou sur piles (sans fil).

## SÉCURITÉ DU LIEU DE TRAVAIL

- **Garder le lieu de travail propre et bien éclairé.** Les endroits encombrés ou sombres sont propices aux accidents.
- **Ne pas utiliser d'outils électriques dans des atmosphères explosives, par exemple en présence de liquides, gaz ou poussières inflammables.** Les outils électriques produisent des étincelles risquant d'enflammer les poussières ou vapeurs.
- **Garder les enfants et badauds à l'écart pendant l'utilisation d'un outil électrique.** Les distractions peuvent causer une perte de contrôle.

## SÉCURITÉ ÉLECTRIQUE

- **Les fiches des outils électriques doivent correspondre à la prise secteur utilisée. Ne jamais modifier la fiche, de quelque façon que ce soit. Ne jamais utiliser d'adaptateurs de fiche avec des outils mis à la terre.** Les fiches et prises non modifiées réduisent le risque de choc électrique.
- **Éviter tout contact du corps avec des surfaces mises à la terre, telles que tuyaux, radiateurs, cuisinières et réfrigérateurs.** Le risque de choc électrique est accru lorsque le corps est mis à la terre.
- **Ne pas exposer les outils électriques à l'eau ou l'humidité.** La pénétration d'eau dans ces outils accroît le risque de choc électrique.
- **Ne pas maltraiter le cordon d'alimentation. Ne jamais utiliser le cordon d'alimentation pour transporter l'outil et ne jamais débrancher ce dernier en tirant sur le cordon. Garder le cordon à l'écart de la chaleur, de l'huile, des objets tranchants et des pièces en mouvement.** Un cordon endommagé ou emmêlé accroît le risque de choc électrique.
- **Pour les travaux à l'extérieur, utiliser un cordon spécialement conçu à cet effet.** Utiliser un cordon conçu pour l'usage extérieur pour réduire les risques de choc électrique.
- **S'il est nécessaire d'utiliser l'outil électrique dans un endroit humide, employer un dispositif interrupteur de**

**défaut à la terre (GFCI).** L'utilisation d'un GFCI réduit le risque de décharge électrique.

- **Ne recharger les piles qu'avec l'appareil indiqué.** Pour utiliser l'appareil avec des piles au lithium-ion de 18 V, consulter le supplément de raccordement pour chargeur/outils/piles/appareil n° 988000-302.

## SÉCURITÉ PERSONNELLE

- **Rester attentif, prêter attention au travail et faire preuve de bon sens lors de l'utilisation de tout outil électrique. Ne pas utiliser cet outil en état de fatigue ou sous l'influence de l'alcool, de drogues ou de médicaments.** Un moment d'inattention pendant l'utilisation d'un outil électrique peut entraîner des blessures graves.
- **Utiliser l'équipement de sécurité. Toujours porter une protection oculaire.** L'équipement de sécurité, tel qu'un masque filtrant, de chaussures de sécurité, d'un casque ou d'une protection auditive, utilisé dans des conditions appropriées réduira le risque de blessures.
- **Éviter les démarrages accidentels. S'assurer que le commutateur est en position d'arrêt avant de brancher l'outil.** Porter un outil avec le doigt sur son commutateur ou brancher un outil dont le commutateur est en position de marche peut causer un accident.
- **Retirer les clés de réglage avant de mettre l'outil en marche.** Une clé laissée sur une pièce rotative de l'outil peut causer des blessures.
- **Ne pas travailler hors de portée. Toujours se tenir bien campé et en équilibre.** Ceci permettra de mieux contrôler l'outil en cas de situation imprévue.
- **Porter une tenue appropriée. Ne porter ni vêtements amples, ni bijoux. Garder les cheveux et les vêtements à l'écart des pièces en mouvement.** Les vêtements amples, bijoux et cheveux longs peuvent se prendre dans les pièces en mouvement.
- **Si les outils sont équipés de dispositifs de dépoussiérage, s'assurer qu'ils sont connectés et correctement utilisés.** L'usage de ces dispositifs de dépoussiérage peut réduire les dangers présentés par la poussière.
- **Malgré votre expérience acquise par l'utilisation fréquente des outils, soyez toujours vigilant et respectez les principes de sécurité relatifs aux outils.** Il s'agit d'une fraction de seconde pour qu'un geste irréfléchi puisse causer de graves blessures.
- **Ne porter ni vêtements amples, ni bijoux. Attacher ou couvrir les cheveux longs.** Les vêtements amples, bijoux et cheveux longs peuvent se prendre dans les ouïes d'aération.
- **Ne pas utiliser l'outil sur une échelle ou un support instable.** Une bonne tenue et un bon équilibre permettent de mieux contrôler l'outil en cas de situation imprévue.



# AVERTISSEMENTS DE SÉCURITÉ GÉNÉRALES RELATIVES AUX OUTILS ÉLECTRIQUES

---

## UTILISATION ET ENTRETIEN DES OUTILS ÉLECTRIQUES

- **Ne pas forcer l'outil. Utiliser l'outil approprié pour l'application.** Un outil approprié exécutera le travail mieux et de façon moins dangereuse s'il est utilisé dans les limites prévues.
- **Ne pas utiliser l'outil si le commutateur ne permet pas de le mettre en marche ou de l'arrêter.** Tout outil qui ne peut pas être contrôlé par son commutateur est dangereux et doit être réparé.
- **Débrancher l'outil et/ou retirer le bloc-piles avant d'effectuer des réglages, de changer d'accessoire ou de remiser l'outil.** Ces mesures de sécurité préventives réduisent les risques de démarrage accidentel de l'outil.
- **Ranger les outils motorisés hors de la portée des enfants et ne laisser personne n'étant pas familiarisé avec l'outil ou ces instructions utiliser l'outil.** Dans les mains de personnes n'ayant pas reçu des instructions adéquates, les outils sont dangereux.
- **Entretenir les outils motorisés. Vérifier qu'aucune pièce mobile n'est mal alignée ou bloquée, qu'aucune pièce n'est brisée et s'assurer qu'aucun autre problème ne risque d'affecter le bon fonctionnement de l'outil. En cas de dommages faire réparer l'outil avant de l'utiliser de nouveau.** Beaucoup d'accidents sont causés par des outils mal entretenus.
- **Garder les outils bien affûtés et propres.** Des outils correctement entretenus et dont les tranchants sont bien affûtés risquent moins de se bloquer et sont plus faciles à contrôler.
- **Utiliser l'outil, les accessoires et embouts, etc. conformément à ces instructions pour les applications pour lesquelles ils sont conçus, en tenant compte des conditions et du type de travail à exécuter.** L'usage d'un outil motorisé pour des applications pour lesquelles il n'est pas conçu peut être dangereux.
- **Gardez les poignées et les surfaces de prise sèches, propres et exemptes d'huile et de graisse.** Des poignées et des surfaces de prise glissantes empêchent la manipulation et le contrôle sécuritaires de l'outil dans des circonstances imprévues.

## UTILISATION ET ENTRETIEN DE LA PILE

- **Ne recharger qu'avec l'appareil spécifié par le fabricant.** Un chargeur approprié pour un type de pile peut créer un risque d'incendie s'il est utilisé avec un autre type de pile.
- **Utiliser exclusivement le bloc-pile spécifiquement indiqué pour l'outil.** L'usage de tout autre bloc peut créer un risque de blessures et d'incendie.
- **Lorsque le bloc-piles n'est pas en usage, le garder à l'écart d'articles tels qu'attaches trombones, pièces de monnaie, clous, vis ou autres petits objets métalliques risquant d'établir le contact entre les deux bornes.** La mise en court-circuit des bornes de piles peut causer des étincelles, des brûlures ou un incendie.
- **En cas d'usage abusif, du liquide peut s'échapper des piles. Éviter tout contact avec ce liquide. En cas de contact accidentel, rincer immédiatement les parties atteintes avec de l'eau. En cas d'éclaboussure dans les yeux consulter un médecin.** Le liquide s'échappant des piles peut causer des irritations ou des brûlures.
- **Ne pas utiliser un bloc-piles ou un outil endommagé ou modifié.** Les piles endommagées ou modifiées peuvent produire un comportement imprévisible pouvant provoquer un incendie, une explosion ou des blessures.
- **Ne pas exposer le bloc-piles ou l'outil près d'un incendie ou à une température extrême.** L'exposition à un incendie ou à une température supérieure à 130 °C (265 °F) représente un risque d'explosion.
- **Suivre toutes les instructions afférentes à la recharge et ne pas recharger le bloc-piles ou l'outil hors des températures spécifiées dans les instructions.** Une recharge incorrecte ou hors des températures spécifiées peut endommager la pile et augmenter les risques de feu.

## DÉPANNAGE

- **Les réparations doivent être confiées à un technicien qualifié, utilisant exclusivement des pièces identiques à celles d'origine.** Ceci assurera le maintien de la sécurité de l'outil.
- **Ne réparez jamais de blocs-piles endommagés.** Seuls le fabricant et les fournisseurs de service autorisés doivent effectuer la réparation ou l'entretien des blocs-piles.

# AVERTISSEMENTS DE SÉCURITÉ RELATIFS AU CLÉ À CHOCS

## INSTRUCTIONS DE SÉCURITÉ POUR TOUTES LES OPÉRATIONS

- **Tenir l'outil par ses surfaces de préhension isolées lors des opérations pendant lesquelles l'accessoire de coupe ou les fixations peut entrer en contact avec du câblage caché.** Le contact d'un accessoire de coupe ou pièce de fixation avec un fil sous tension « électrifié » les pièces métalliques exposées de l'outil et peut électrocuter l'utilisateur.
- **Porter des protecteurs d'oreilles avec les clés à chocs.** L'exposition au bruit peut entraîner une perte auditive.
- **Ne pas utiliser la visseuse à chocs comme perceuse.** Elle n'est pas conçue pour cet usage.

## INSTRUCTIONS DE SÉCURITÉ SUPPLÉMENTAIRES




- **Apprendre à connaître l'outil. Lire attentivement le manuel d'utilisation. Apprendre les applications et les limites de l'outil, ainsi que les risques spécifiques relatifs à son utilisation.** Le respect de cette consigne réduira les risques d'incendie, de choc électrique et de blessures graves.
- **Toujours porter une protection oculaire munie d'écrans latéraux certifiée conforme à la norme ANSI Z87.1 lors du montage des pièces, du fonctionnement de l'outil ou au moment de l'entretien.** Le respect de cette consigne réduira les risques de blessures graves.
- **Protection respiratoire. Porter un masque facial ou un masque antipoussière si le travail produit de la poussière.** Le respect de cette consigne réduira les risques de blessures graves.
- **Protection auditive. Porter une protection auditive lors de l'utilisation prolongée.** Le respect de cette règle réduira les risques de blessures graves. Si à tout moment vous devenez mal à l'aise ou la durée de votre tâche est longue, protection auditive est recommandée.
- **Les outils fonctionnant sur piles n'ayant pas besoin d'être branchés sur une prise secteur, ils sont toujours en état de fonctionnement. Tenir compte des dangers**

possibles lorsque l'outil n'est pas en usage et lors du remplacement des piles. Le respect de cette consigne réduira les risques d'incendie, de choc électrique et de blessures graves.







- **Ne pas placer les outils électriques sans fil ou leurs piles à proximité de flammes ou d'une source de chaleur.** Ceci réduira les risques d'explosion et de blessures.
- **Ne pas écraser, faire tomber ou endommager le bloc-piles. Ne jamais utiliser un bloc-piles ou un chargeur qui est tombé, a été écrasé, a reçu un choc violent ou a été endommagé de quelque façon que ce soit.** Une pile endommagée risque d'exploser. Éliminer immédiatement toute pile endommagée, selon une méthode appropriée.
- **Les piles peuvent exploser en présence d'une source d'allumage, telle qu'une veilleuse.** Pour réduire les risques de blessures graves, ne jamais utiliser un appareil sans fil, quel qu'il soit, en présence d'une flamme vive. En explosant, une pile peut projeter des débris et des produits chimiques. En cas d'exposition, rincer immédiatement les parties atteintes avec de l'eau.
- **Ne pas recharger un outil fonctionnant sur piles dans un endroit humide ou mouillé. Ne pas utiliser, remiser ou charger le bloc-piles ou produits dans des emplacements où la température est inférieure 10 °C (50 °F) à ou supérieure à 38 °C (100 °F).** Ne pas ranger l'outil à l'extérieur ou dans un véhicule.
- **Si l'outil est utilisé de façon intensive ou sous des températures extrêmes, des fuites de pile peuvent se produire. En cas de contact du liquide avec la peau, rincer immédiatement la partie atteinte avec de l'eau. En cas d'éclaboussure dans les yeux, les rincer à l'eau fraîche pendant au moins 10 minutes, puis contacter immédiatement un médecin.** Le respect de cette règle réduira les risques de blessures graves.
- **Conserver ces instructions.** Les consulter fréquemment et les utiliser pour instruire les autres utilisateurs éventuels. Si cet outil est prêté, il doit être accompagné de ces instructions.

# SYMBOLES

The following signal words and meanings are intended to explain the levels of risk associated with this product.

| SYMBOL  | SIGNAL          | MEANING  |
|---|-----------------|--|
|  | <b>DANGER:</b>  | Indicates a hazardous situation, which, if not avoided, will result in death or serious injury.  |
|  | <b>WARNING:</b> | Indicates a hazardous situation, which, if not avoided, could result in death or serious injury.   |
|  | <b>CAUTION:</b> | Indicates a hazardous situation, that, if not avoided, may result in minor or moderate injury.   |
|   | <b>NOTICE:</b>  | (Without Safety Alert Symbol) Indicates information considered important, but not related to a potential injury (e.g. messages relating to property damage). |

Some of the following symbols may be used on this product. Please study them and learn their meaning. Proper interpretation of these symbols will allow you to operate the product better and safer.

| SYMBOL  | NAME                   | DESIGNATION/EXPLANATION   |
|---|------------------------|---|
|    | Safety Alert           | Indicates a potential personal injury hazard.   |
|    | Read Operator's Manual | To reduce the risk of injury, user must read and understand operator's manual before using this product.  |
|   | Eye Protection         | Always wear eye protection with side shields marked to comply with ANSI Z87.1.  |
|  | Wet Conditions Alert   | Do not expose to rain or use in damp locations.   |
|  | Recycle Symbol         | This product uses lithium-ion (Li-ion) batteries. Local, state, or federal laws may prohibit disposal of batteries in ordinary trash. Consult your local waste authority for information regarding available recycling and/or disposal options. |
| V   | Volts                  | Voltage   |
| min   | Minutes                | Time  |
|  | Direct Current         | Type or a characteristic of current   |
| $n_0$   | No Load Speed          | Rotational speed, at no load  |
| .../min   | Per Minute             | Revolutions, strokes, surface speed, orbits etc., per minute  |

# CARACTÉRISTIQUES

## PRODUCT SPECIFICATIONS

Coupleur.....6,35 mm (1/4 po)  
 Coups par minute..... 0-4 200/min. IPM  
 Couple maximal..... 209 Nm (1 850 po-lb)

Vitesse à vides :

Basse (1) ..... 0 à 900/min. (RPM)  
 Moyen (2) ..... 0 à 2 000/min. (RPM)  
 Haute (3) ..... 0 à 2 900/min. (RPM)  
 Fonction de mode auto-taroudant (⚙️) ..... 0 à 2 150/min. (RPM)

# ASSEMBLAGE

## AVERTISSEMENT :

Ne pas utiliser le produit s'il n'est pas complètement assemblé ou si des pièces semblent manquantes ou endommagées. L'utilisation d'un produit dont l'assemblage est incorrect ou incomplet ou comportant des pièces endommagées ou absentes représente un risque de blessures graves.

## AVERTISSEMENT :

Ne pas essayer de modifier cet outil ou de créer des pièces ou accessoires non recommandés. De telles altérations ou modifications sont considérées comme un usage abusif et peuvent créer des conditions dangereuses, risquant d'entraîner des blessures graves.

Si des pièces manquent ou sont endommagées, veuillez appeler au 1-866-539-1710 pour obtenir de l'aide.

# UTILISATION

## AVERTISSEMENT :

Ne pas laisser la familiarité avec l'outil faire oublier la prudence. Ne pas oublier qu'une fraction de seconde d'inattention peut entraîner des blessures graves.

## AVERTISSEMENT :

Toujours retirer le bloc-pile de l'outil au moment d'assembler des pièces, d'effectuer des réglages et de procéder au nettoyage, ou lorsque l'outil n'est pas utilisé. Si cette précaution n'est pas prise, des objets peuvent être projetés dans les yeux et causer des lésions graves.

## AVERTISSEMENT :

Toujours porter une protection oculaire avec écrans latéraux certifiée conforme à la norme ANSI Z87.1. Si cette précaution n'est pas prise, des objets peuvent être projetés dans les yeux et d'autres lésions graves.

## AVERTISSEMENT :

Ne pas utiliser des pièces ou accessoires non recommandés pour cet outil. L'utilisation de pièces et accessoires non recommandés peut entraîner des blessures graves.

## APPLICATIONS

Ce produit peut être utilisé pour les applications ci-dessous:

- Vissage, serrage et desserrage de vis, écrous et boulons

## INSTALLATION/RETRAIT DU CROCHET DE CEINTURE OU PORTE-EMBOU

Voir la figure 1, page 9.

Le crochet de ceinture ou porte-embout sont interchangeables. Ils peuvent être installés des deux côtés de l'outil.

- Aligner les trous du crochet de ceinture ou porte-embout avec les trous du base.
- Installer le vis pour fixer solidement le crochet de ceinture ou porte-embout.
- Pour retirer, desserrer le vis et retirer le crochet de ceinture ou porte-embout.

## SÉLECTEUR DE SENS DE ROTATION (AVANT / ARRIÈRE / VERROUILLAGE)

Voir la figure 2, page 9.

Régler le sélecteur de sens de rotation à la position **OFF** (position centrale verrouillée) pour verrouiller la gâchette pour réduire la possibilité d'un démarrage accidentel lorsque l'appareil n'est pas utilisé.

Positionner le sélecteur de sens de rotation du côté gauche de la gâchette pour pouvoir utilisation vers l'avant. Positionner le sélecteur de sens de rotation du côté droit de la gâchette pour inverser le sens de rotation.

**NOTE :** L'outil ne peut fonctionner que si le sélecteur de sens de rotation est poussé à fond vers la droite ou la gauche.

## AVIS :

Pour éviter des dommages aux engrenages, toujours laisser le coupleur parvenir à l'arrêt complet avant de changer de sens de rotation.

## AVERTISSEMENT :

Les outils à piles sont toujours en état de fonctionnement. Verrouiller la gâchette lorsque l'outil n'est pas utilisé ou pour le transporter le long du corps, pour insérer ou retirer le bloc-piles et lors de l'installation ou du retrait des embouts.

## GÂCHETTE À VARIATION DE VITESSE

Voir la figure 2, page 9.

La gâchette avec variation de vitesse procurera des vitesses plus élevées si une pression accrue est exercée et des vitesses moins élevées dans le cas d'une pression réduite.

Pour mettre la clé à chocs **EN MARCHÉ**, appuyer sur la gâchette. Pour **ÉTEINDRE**, la la clé à chocs, relâcher la gâchette et laisser le mandrin parvenir à l'arrêt complet.

**NOTE :** Un bruit de sifflement ou de tintement provenant de la gâchette pendant l'utilisation est une situation normale pour cet interrupteur.

**NOTE :** L'utilisation de la clé à chocs à faible vitesse de façon continue peut entraîner une surchauffe. Si la clé à chocs surchauffe, la refroidir en la laissant tourner à vide et à la vitesse maximum.

# UTILISATION

## INSTALLATION ET RETRAIT DU BLOC-PILES

Voir la figure 3, page 9.

- Verrouiller la gâchette.
- Insérer la pile dans l'outil comme illustré.
- S'assurer que les loquets de chaque côté de la pile s'enclenchent en place et que la pile est bien fixée à l'outil avant de mettre l'outil en marche.
- Relâcher les loquets pour retirer le bloc-piles.

Pour prendre connaissance des consignes de chargement, consulter le manuel d'utilisation des piles et des chargeurs.

## INSTALLATION ET RETRAIT DES EMBOUTS

Voir la figure 4, page 9.

- **Pour insérer les embouts**, retirer le bloc-piles.
- Enfoncer l'embout dans le coupleur jusqu'à ce qu'il s'enclenche en place.

**NOTE :** Si l'embout ne s'insère pas facilement dans le coupleur, tirer le coupleur vers l'avant et réinsérer l'embout.

- Tirer sur l'embout pour vérifier qu'il est bien maintenu dans le coupleur. L'embout installé peut présenter un peu de jeu. Ceci est normal.

**NOTE :** N'utiliser que des embouts pour clé à chocs dotés d'une rainure de verrouillage.

### **AVERTISSEMENT :**

S'assurer que l'embout est solidement maintenu dans le coupleur avant d'utiliser la clé à chocs. Ne pas prendre cette précaution peut entraîner des risques de blessures graves.

- **Pour retirer les embouts**, retirer le bloc-piles.
- La tête de l'outil étant dirigée à l'écart de soi, tirer le coupleur vers l'extérieur de la clé à chocs.
- L'embout sera éjecté du coupleur.

## SÉLECTEUR DE MODE

Voir la figure 5, page 9.

Appuyer sur le sélecteur de mode pour parcourir les modes suivants : vitesse basse (1), vitesse moyenne (2), vitesse élevée (3) et fonction de mode auto-taraudant (🌀).

La fonction de mode (🌀) auto-taraudant est conçue pour réduire le dénudage des vis, la rupture des vis et les dommages aux surfaces de travail lors de l'utilisation de vis auto-taraudantes. Pour visser les fixations (réglage avant), la visseuse à chocs commence à enfoncer rapidement la fixation dans la pièce de travail, puis ralentit pour finir.

**NOTE :** En réglage arrière, la visseuse à chocs reprend un fonctionnement normal.

La gamme de vitesses disponibles pour chaque configuration est :

- Basse (1)..... 0 à 900 RPM
- Moyen (2)..... 0 à 2 000 RPM
- Rapide (3) ..... 0 à 2 900 RPM
- Fonction de mode auto-taraudant (🌀)..... 0 à 2 150 RPM

### **AVIS :**

Ne jamais changer de mode lorsque l'outil est en fonctionnement. Ceci pourrait occasionner des dommages graves à l'outil.

## LAMPE À DEL

Voir la figure 5, page 9.

La lampe à DEL situées à l'avant de l'outil, s'allument lorsque la commutateur est enfoncée.

Lorsque l'outil n'est pas en usage, la fonction d'arrêt fait en sorte que la lampe faiblit et s'éteint.

La lampe à DEL s'allume seulement lorsqu'un bloc-piles chargé se trouve dans l'outil.

## UTILISER LA CLÉ À CHOCS

Voir les figures 6 et 7, page 9.

### **AVIS :**

La clé à choc n'est pas conçue pour être utilisée comme une perceuse.

### **AVERTISSEMENT :**

Ne pas enfoncer de vis dans des surfaces pouvant dissimuler des fils électriques. En cas de contact avec un fil sous tension, les parties métalliques de l'outil seraient mises sous tension et probablement choc l'opérateur. Si vous devez enfoncer une vis dans un endroit où des fils électriques cachés peuvent être présents, tenir l'outil par les surfaces de prise isolées pour éviter un choc électrique.

- Verrouiller la gâchette en mettant le sélecteur de sens de rotation en position avant ou arrière.
- Tenir la clé à chocs d'une main.
- Placer l'embout sur la tête de la vis, tête de la boulon, ou écrou, et appuyer lentement sur la gâchette. Nous recommandons de commencer avec une rotation lente pour un meilleur contrôle.
- La vis, boulon, ou écrou commence à s'enfoncer sous l'effet des chocs.

## FREIN ÉLECTRIQUE

Le frein électrique arrête la rotation de l'embout lorsque l'opérateur relâche la gâchette.

**NOTE : SECTION ENTRETIEN COMMENÇANT SUR 8 DE PAGE APRÈS LA SECTION ESPAGNOL. ILLUSTRATIONS COMMENÇANT SUR LA PAGE 9.**

**Ce produit est accompagné d'une politique de satisfaction de 90 jours et d'une garantie limitée de trois (3) ans. Pour obtenir les détails de la garantie et de la politique, visiter le site [powertools.ridgid.com](http://powertools.ridgid.com) ou appeler (sans frais) au 1-866-539-1710.**

# ADVERTENCIAS DE SEGURIDAD PARA HERRAMIENTAS ELÉCTRICAS

## ADVERTENCIA

Lea todas las advertencias, instrucciones, ilustraciones y especificaciones proporcionadas con esta herramienta eléctrica. No seguir las instrucciones indicadas a continuación puede provocar descargas eléctricas, incendios o lesiones graves.

Guarde todas las advertencias e instrucciones para consultarlas en el futuro. El término “herramienta eléctrica” en las advertencias se refiere a las herramientas eléctricas que funcionan con corriente (con cordón) o las que funcionan con batería (inalámbricas).

## ÁREA DE TRABAJO

- **Mantenga limpia y bien iluminada el área de trabajo.** Un área de trabajo mal despejada o mal iluminada propicia accidentes.
- **No utilice herramientas motorizadas en atmósferas explosivas, como las existentes alrededor de líquidos, gases y polvos inflamables.** Las herramientas eléctricas generan chispas que pueden encender el polvo y los vapores inflamables.
- **Mantenga alejados a los niños y circunstancias al maniobrar una herramienta eléctrica.** Toda distracción puede causar la pérdida del control de la herramienta.

## SEGURIDAD ELÉCTRICA

- **Las clavijas de las herramientas eléctricas deben corresponder a las tomas de corriente donde se conectan. Nunca modifique la clavija de ninguna forma. No utilice ninguna clavija adaptadora con herramientas eléctricas dotadas de contacto a tierra.** Conectando las clavijas originales en las tomas de corriente donde corresponden se disminuye el riesgo de una descarga eléctrica.
- **Evite el contacto del cuerpo con las superficies de objetos conectados a tierra, como las tuberías, radiadores, estufas y refrigeradores.** Existe un mayor riesgo de descargas eléctricas si el cuerpo está haciendo tierra.
- **No exponga las herramientas eléctricas a la lluvia ni a condiciones de humedad.** La introducción de agua en una herramienta eléctrica aumenta el riesgo de descargas eléctricas.
- **No maltrate el cordón eléctrico. Nunca utilice el cordón para trasladar, desconectar o tirar de la herramienta eléctrica. Mantenga el cordón lejos del calor, aceite, bordes afilados y piezas móviles.** Los cordones eléctricos dañados o enredados aumentan el riesgo de descargas eléctricas.
- **Al utilizar una herramienta eléctrica a la intemperie, use un cordón de extensión apropiado para el exterior.**

Usando un cordón adecuado para el exterior se disminuye el riesgo de descargas eléctricas.

- **Si debe operar una herramienta en lugares húmedos, use un suministro protegido por un interruptor de circuito con pérdida a tierra (GFCI).** El uso de un GFCI reduce el riesgo de descargas eléctricas.
- **Cargue las baterías solamente con el cargador indicado.** Para utilizar con paquetes de baterías de iones de litio de 18 V, consulte el folleto de la herramienta/aparato/paquete de baterías/cargador complementario 988000-302.

## SEGURIDAD PERSONAL

- **Permanezca alerta, preste atención a lo que esté haciendo y aplique el sentido común al utilizar herramientas eléctricas. No utilice la herramienta eléctrica si está cansado o se encuentra bajo los efectos de alguna droga, alcohol o medicamento.** Un momento de inatención al utilizar una herramienta eléctrica puede causar lesiones corporales serias.
- **Utilice protección el equipo otros. Siempre póngase protección ocular.** El uso de equipo protector como mascarilla para el polvo, calzado de seguridad, casco y protección para los oídos en las circunstancias donde corresponda disminuye el riesgo de lesiones.
- **Evite que la herramienta se active accidentalmente. Asegúrese de que el interruptor esté en la posición de apagado antes de conectar la herramienta a un suministro de corriente o de colocar un paquete de baterías.** Transportar herramientas eléctricas con el dedo en el interruptor o enchufar herramientas eléctricas que tienen el interruptor encendido puede ocasionar accidentes.
- **Retire toda llave o herramienta de ajuste antes de encender la herramienta eléctrica.** Toda llave o herramienta de ajuste dejada en una pieza giratoria de la herramienta eléctrica puede causar lesiones.
- **No estire el cuerpo para alcanzar mayor distancia. Mantenga una postura firme y buen equilibrio en todo momento.** De esta manera se logra un mejor control de la herramienta eléctrica en situaciones inesperadas.
- **Vístase adecuadamente. No vista ropas holgadas ni joyas. Mantenga el cabello y la ropa alejados de las piezas móviles.** Las ropas holgadas y las joyas, así como el cabello largo, pueden engancharse en las piezas móviles.
- **Si se suministran dispositivos para conectar mangueras de extracción y captación de polvo, asegúrese de que éstas estén bien conectadas y se usen correctamente.** El uso de la captación de polvo puede reducir los peligros relacionados con éste.
- **No permita que la familiaridad obtenida por el uso frecuente de las herramientas lo vuelva complaciente e ignore los principios de seguridad de las herramientas.** Una acción descuidada puede causar lesiones graves en una fracción de segundo.

# ADVERTENCIAS DE SEGURIDAD PARA HERRAMIENTAS ELÉCTRICAS

- **No vista ropas holgadas ni joyas. Recójase el cabello si está largo.** Las ropas holgadas y las joyas, así como el cabello largo, pueden resultar atraídas hacia el interior de las aberturas de ventilación.
- **No utilice la unidad al estar en una escalera o en un soporte inestable.** Una postura estable sobre una superficie sólida permite un mejor control de la herramienta eléctrica en situaciones inesperadas.

## EMPLEO Y CUIDADO DE LA HERRAMIENTA ELÉCTRICA

- **No fuerce la herramienta eléctrica. Utilice la herramienta eléctrica adecuada para cada trabajo.** La herramienta eléctrica adecuada efectúa mejor y de manera más segura el trabajo, si además se maneja a la velocidad para la que está diseñada.
- **No utilice la herramienta si el interruptor no enciende o no apaga.** Cualquier herramienta eléctrica que no pueda controlarse con el interruptor es peligrosa y debe repararse.
- **Desconecte el enchufe de la fuente de alimentación o retire el paquete de baterías, si es desmontable, de la herramienta eléctrica antes de realizar ajustes, cambiar accesorios o almacenar herramientas eléctricas.** Tales medidas preventivas de seguridad reducen el riesgo de poner en marcha accidentalmente la herramienta.
- **Guarde las herramientas eléctricas desocupadas fuera del alcance de los niños y no permita que las utilicen personas no familiarizadas con las mismas o con estas instrucciones.** Las herramientas eléctricas son peligrosas en manos de personas no capacitadas en el uso de las mismas.
- **Mantenimiento de las herramientas eléctricas y accesorios. Revise para ver si hay desalineación o atoramiento de piezas móviles, ruptura de piezas o toda otra condición que pueda afectar el funcionamiento de la herramienta eléctrica. Si está dañada la herramienta eléctrica, permita que la reparen antes de usarla.** Numerosos accidentes son causados por herramientas eléctricas mal cuidadas.
- **Mantenga las herramientas de corte afiladas y limpias.** Las herramientas de corte bien cuidadas y con bordes bien afilados, tienen menos probabilidad de atascarse en la pieza de trabajo y son más fáciles de controlar.
- **Use la herramienta eléctrica, los accesorios, las brocas, etc. según estas instrucciones, teniendo en cuenta las condiciones de trabajo y la tarea que se va a realizar.** Si se utiliza la herramienta eléctrica para operaciones diferentes de las indicadas podría originar una situación peligrosa.

- **Mantenga los mangos y superficies de agarre limpias y libres de aceite y grasa.** Los mangos y superficies de agarre resbalosas no permiten la manipulación y control seguro de la herramienta en situaciones inesperadas.

## EMPLEO Y CUIDADO DE LA HERRAMIENTA DE BATERÍAS

- **Sólo cargue el paquete de baterías con el cargador especificado por el fabricante.** Un cargador adecuado para un tipo paquete de baterías puede significar un riesgo de incendio si se emplea con un paquete de baterías diferente.
- **Utilice las herramientas eléctricas sólo con los paquetes de baterías específicamente indicados.** El empleo de paquetes de baterías diferentes puede presentar un riesgo de incendio.
- **Cuando no esté utilizándose el paquete de baterías, manténgalo lejos de otros objetos metálicos, como clips, monedas, llaves, clavos, tornillos o otros objetos metálicos, pequeños que puedan establecer conexión entre ambas terminales.** Establecer una conexión directa entre las dos terminales de las baterías puede causar quemaduras o incendios.
- **Si se maltratan las baterías, puede derramarse líquido de las mismas; evite todo contacto con éste. En caso de contacto, lávese con agua. Si el líquido llega a tocar los ojos, además busque atención médica.** El líquido de las baterías puede causar irritación y quemaduras.
- **No utilice un paquete de baterías o una herramienta que esté dañado o modificado.** Las baterías dañadas o modificadas pueden tener un funcionamiento impredecible que provoque incendios, explosiones o riesgo de lesiones.
- **No exponga el paquete de baterías o una herramienta al fuego o a temperaturas excesivas.** La exposición al fuego o a temperatura sobre los 130 °C (265 °F) puede provocar explosiones.
- **Siga todas las instrucciones de carga y no cargue el paquete de baterías ni la herramienta fuera del rango de temperaturas especificado en las instrucciones.** Si realiza la carga en forma incorrecta o fuera de las temperaturas del rango especificado puede dañar la batería y aumentar el riesgo de incendios.

## SERVICIO

- **Permita que un técnico de reparación calificado preste servicio a la herramienta eléctrica, y sólo con piezas de repuesto idénticas.** De esta manera se mantiene la seguridad de la herramienta eléctrica.
- **Nunca repare paquetes de baterías dañados.** La reparación de paquetes de baterías solo puede ser realizada por el fabricante o proveedores de servicio autorizados.

# ADVERTENCIAS DE SEGURIDAD DESTORNILLADOR DE IMPACTO

---

## INSTRUCCIONES DE SEGURIDAD PARA TODAS LAS OPERACIONES

- **Sujete las herramientas eléctricas por las superficies aisladas de sujeción al efectuar una operación en la cual el accesorio de corte o los sujetadores pueda entrar en contacto con cables ocultos.** Todo contacto de una herramienta con un cable cargado carga las piezas metálicas expuestas de la herramienta y da una descarga eléctrica al operador.
- **Al utilizar destornillador de impacto póngase protectores para los oídos.** La exposición a ruido puede producir la pérdida de la audición.
- **No use el destornillador de impacto como si fuera taladro.** El destornillador de impacto no está diseñado para utilizarse como taladro.

## INSTRUCCIONES DE SEGURIDAD ADICIONALES

- **Familiarícese con su herramienta eléctrica. Lea cuidadosamente el manual del operador. Aprenda sus usos y limitaciones, así como los posibles peligros específicos de esta herramienta eléctrica.** Con el cumplimiento de esta regla se reduce el riesgo de una descarga eléctrica, incendio o lesión seria.
- **Siempre use protección ocular con laterales protectores con la marca de cumplimiento con la norma ANSI Z87.1 al ensamblar piezas, utilizar la herramienta o llevar a cabo tareas de mantenimiento.** Con el cumplimiento de esta regla se reduce el riesgo de lesiones corporales serias.
- **Protéjase los pulmones. Use una careta o mascarilla contra el polvo si la operación genera mucho polvo.** Con el cumplimiento de esta regla se reduce el riesgo de lesiones serias.
- **Protéjase los oídos. Durante períodos prolongados de utilización del producto, póngase protección para los oídos.** Con el cumplimiento de esta regla se reduce el riesgo de lesiones corporales serias. Si en algún momento se siente incómodo o la duración de la tarea es larga, se recomienda la protección auditiva.
- **No se necesita conectar a una toma de corriente las herramientas de baterías; por lo tanto, siempre están**




en condiciones de funcionamiento. Esté consciente de los posibles peligros cuando no esté usando la herramienta de baterías o cuando esté cambiando los accesorios de la misma. Con el cumplimiento de esta regla se reduce el riesgo de una descarga eléctrica, incendio o lesión corporal seria.

- **No coloque herramientas de baterías ni las baterías mismas cerca del fuego o del calor.** De esta manera se reduce el riesgo de explosiones y de lesiones.
- **No aplaste, deje caer o dañe de baterías. Nunca utilice una batería o cargador que se ha caído, aplastado, recibido un golpe contundente o ha sido dañado(a) de alguna manera.** Las baterías dañadas pueden sufrir explosiones. Deseche de inmediato toda batería que haya sufrido una caída o cualquier daño.
- **Las baterías pueden explotar en presencia de fuentes de inflamación, como los pilotos de gas.** Para reducir el riesgo de lesiones serias, nunca use un producto inalámbrico en presencia de llamas expuestas. La explosión de una batería puede lanzar fragmentos y compuestos químicos. Si ha quedado expuesto a la explosión de una batería, lávese de inmediato con agua.
- **No cargue herramientas de baterías en lugares mojados o húmedos. No lo utilice, guarde o cargue la paquete de baterías o la unidad en lugares donde la temperatura sea inferior a 10 °C (50 °F) o superior a 38 °C (100 °F).** No guarde la herramienta a la intemperie ni en el interior de vehículos.
- **En condiciones extremas de uso o temperatura las baterías pueden emanar líquido. Si el líquido llega a tocarle la piel, lávese de inmediato con agua y jabón. Si le entra líquido en los ojos, láveselos con agua limpia por lo menos 10 minutos, y después busque de inmediato atención médica.** Con el cumplimiento de esta regla se reduce el riesgo de lesiones corporales serias.
- **Guarde estas instrucciones.** Consúltelas con frecuencia y empléelas para instruir a otras personas que puedan utilizar esta herramienta. Si presta a alguien esta herramienta, facilítele también las instrucciones.








# SÍMBOLOS

Las siguientes palabras de señalización y sus significados tienen el objeto de explicar los niveles de riesgo relacionados con este producto.

| SÍMBOLO   | SEÑAL               | SIGNIFICADO   |
|---|---------------------|---|
|  | <b>PELIGRO:</b>     | Indica una situación peligrosa, la cual, si no se evita, causará la muerte o lesiones serias.   |
|  | <b>ADVERTENCIA:</b> | Indica una situación peligrosa, la cual, si no se evita, podría causar la muerte o lesiones serias.   |
|  | <b>PRECAUCIÓN:</b>  | Indica una situación peligrosa, la cual, si no se evita, podría causar lesiones menores o leves.  |
|   | <b>AVISO:</b>       | (Sin el símbolo de alerta de seguridad) Indica la información que se considera importante, pero no relacionada con lesiones potenciales (por ej. en relación a daños a la propiedad). |

Es posible que se empleen en este producto algunos de los siguientes símbolos. Le suplicamos estudiarlos y aprender su significado. Una correcta interpretación de estos símbolos le permitirá utilizar mejor y de manera más segura el producto.

| SÍMBOLO   | NOMBRE                        | DENOMINACIÓN/EXPLICACIÓN   |
|---|-------------------------------|--|
|    | Alerta de seguridad           | Indica un peligro posible de lesiones personales.  |
|   | Lea el manual del operador    | Para reducir el riesgo de lesiones, el usuario debe leer y comprender el manual del operador antes de usar este producto.  |
|  | Protección ocular             | Siempre póngase protección ocular con protección lateral con la marca de cumplimiento de la norma ANSI Z87.1.  |
|  | Alerta de condiciones húmedas | No exponga la unidad a la lluvia ni la use en lugares húmedos.   |
|  | Símbolo de reciclado          | Este producto contiene baterías de iones de litio (Li-ion). Es posible que algunas leyes municipales, estatales o federales prohíban desechar las baterías en la basura normal. Consulte a las autoridades reguladoras de desechos para obtener información en relación con las alternativas de reciclado y desecho disponibles. |
| V   | Volts                         | Voltaje  |
| min   | Minutos                       | Tiempo   |
| —   | Corriente continua            | Tipo o característica de corriente   |
| $n_0$   | Velocidad en vacío            | Velocidad de rotación, en vacío  |
| .../min   | Por minuto                    | Revoluciones, carreras, velocidad superficial, órbitas, etc., por minuto   |

# CARACTERÍSTICAS

## ESPECIFICACIONES

Acoplador .....6,35 mm (1/4 pulg.)  
 Impactos por minuto ..... 0-4 200/min. IPM  
 Torsión máx. .... 209 Nm (1 850 lb-pulg.)

Velocidades en vacío:

Baja (1) ..... 0 a 900/min. (RPM)  
 Media (2) ..... 0 a 2 000/min. (RPM)  
 Alta (3) ..... 0 a 2 900/min. (RPM)  
 Función de modo autorroscante (↻) 0 a 2 150/min. (RPM)

# ARMADO

## **ADVERTENCIA:**

No use este producto si no está totalmente ensamblado o si alguna pieza falta o está dañada. El uso de un producto que no está adecuadamente y completamente ensamblado o posee partes dañadas o faltantes puede resultar en lesiones personales graves.

## **ADVERTENCIA:**

No intente modificar este producto ni crear accesorio o aditamento que no estén recomendados para usar con este producto. Dichas alteraciones o modificaciones constituyen un uso indebido y podrían provocar una situación de riesgo que cause posibles lesiones personales graves.

Si hay piezas dañadas o faltantes, le suplicamos llamar al 1-866-539-1710, donde le brindaremos asistencia.

# FUNCIONAMIENTO

## **ADVERTENCIA:**

No permita que su familiarización con las herramientas lo vuelva descuidado. Tenga presente que un descuido de un instante es suficiente para causar una lesión grave.

## **ADVERTENCIA:**

Siempre retire el paquete de baterías de la herramienta cuando esté ensamblando partes, realizando ajustes, limpiando o cuando ésta no esté en uso. Retirando el paquete de baterías se evita arrancar accidentalmente la unidad, lo cual puede causar lesiones serias.

## **ADVERTENCIA:**

Siempre póngase protección ocular con protección lateral con la marca de cumplimiento de la norma ANSI Z87.1. Si no cumple esta advertencia, los objetos que salen despedidos pueden producirle lesiones serias en los ojos.

## **ADVERTENCIA:**

No utilice ningún aditamento o accesorio no recomendado por el fabricante de esta herramienta. El empleo de aditamentos o accesorios no recomendados podría causar lesiones serias.

## APLICACIONES

Este producto puede emplearse para los fines siguientes:

- Introducción, apriete y remoción tornillos, tuercas y pernos

## INSTALAR/RETIRAR DE HOOK DEL CINTURÓN O SOPORTE DEL BROCAS

Vea la figura 1, página 9.

El gancho para el cinturón o soporte del brocas son intercambiables. Se pueden instalar a ambos lados de la herramienta.

- Alinee el orificio de hook del cinturón o soporte del brocas con el orificio de base.
- Coloque el tornillo para asegurarla.
- Para desinstalarlo, retire el tornillo y luego extraiga el gancho para el cinturón o soporte del brocas.

## SELECTOR DE SENTIDO DE ROTACIÓN (MARCHA ADELANTE/ATRÁS/SEGURO EN EL CENTRO)

Vea la figura 2, página 9.

Ajuste el selector de sentido de rotación en la posición de **APAGADO** (seguro en el centro) para bloquear el gatillo del interruptor y ayudar a prevenir un arranque accidental cuando no esté en uso.

Ubique el selector de sentido de rotación a la izquierda del gatillo del interruptor para utilizar la herramienta hacia adelante. Ubique el selector a la derecha del gatillo del interruptor para taladrar hacia atrás.

**NOTA:** La herramienta no funciona a menos que se empuje el selector de dirección de giro completamente a la izquierda o derecha.

## **AVISO:**

Para evitar dañar el engranaje, antes de cambiar el sentido de rotación siempre permita que se detenga completamente el acoplador.

## **ADVERTENCIA:**

Las herramientas de baterías siempre están en condiciones de funcionamiento. Bloquee el interruptor cuando no esté en uso o lo lleve a su lado, al instalar o extraer el paquete de baterías y al instalar o extraer brocas.

## GATILLO DEL INTERRUPTOR DE VELOCIDAD VARIABLE

Vea la figura 2, página 9.

El gatillo de velocidad variable produce mayor velocidad cuanto mayor presión se aplica en el gatillo, y menor velocidad cuanto menor presión se aplica en el mismo.

Para **ENCENDER** de destornillador de impacto, oprima el gatillo del interruptor. Para **DETENER**, de destornillador de impacto, suelte el gatillo del interruptor y permita que se detenga completamente el portabrocas.

**NOTA:** Un silbido o zumbido que viene del interruptor durante el uso es una parte normal de la función del interruptor.

**NOTA:** Si se hace funcionar de destornillador de impacto a baja velocidad en uso constante puede recalentarse. Si ocurre

# FUNCIONAMIENTO

tal situación, enfríe de destornillador de impacto poniéndolo a funcionar en vacío y a toda velocidad.

## INSTALACIÓN/DESMONTAR DEL PAQUETE DE BATERÍAS

Vea la figura 3, página 9.

- Bloquee el gatillo del interruptor.
- Coloque el paquete de baterías en el producto como se muestra.
- Asegúrese de que los pestillos situados a ambos lados del paquete de baterías entren completamente en su lugar con un chasquido y de que el paquete quede bien asegurado en la herramienta antes de comenzar a utilizarla.
- Oprima los pestillos para extraer el paquete de baterías.

Para obtener instrucciones específicas de carga, por favor leer el manual del operador que se incluye con el cargador.

## INSTALACIÓN/REMOCIÓN DE LAS BROCAS

Vea la figura 4, página 9.

- **Para instalar las brocas**, retire el paquete de baterías.
- Presione la punta en el acoplador hasta que se encaje en su lugar con un clic.

**NOTA:** Si la broca no se inserta fácilmente en el acoplador, tire del acoplador hacia adelante e inserte la broca.

- Tirer sur l'embout pour vérifier qu'il est bien maintenu dans le coupleur. L'embout installé peut présenter un peu de jeu. Ceci est normal.

**NOTA:** Sólo utilice puntas de destornillador de impacto de alta calidad con ranura de aseguramiento.

### **ADVERTENCIA:**

Asegúrese de que la punta de destornillador esté asegurada en el acoplador antes de usar el destornillador de impacto. La inobservancia de esta advertencia puede causar lesiones serias.

- **Para retire las brocas**, retire el paquete de baterías.
- Con la punta de la herramienta apuntando en la dirección opuesta a la que usted se encuentra, tire del acoplador para retirarlo del destornillador.
- La punta quedará expulsada del acoplador.

## SELECTOR DE MODO

Vea la figura 5, página 9.

Presione el selector de modo para alternar entre velocidad Baja (1), Media (2), Alta (3) y función de modo autorroscante (🌀).

La función de modo autorroscante (🌀) está diseñada para reducir el desprendimiento y la rotura de tornillos, y el daño en las superficies de trabajo al colocar tornillos autorroscantes. Al insertar tornillos (configuración de avance), el destornillador de impacto comenzará rápido para insertar el tornillo en la pieza de trabajo y, luego, disminuirá la velocidad para terminar.

**NOTA:** En la configuración de reversa, el destornillador de impacto continuará con el funcionamiento normal.

El rango de velocidades disponibles en cada configuración es el siguiente:

- Baja (1)..... 0-900 RPM
- Media (2)..... 0-2,000 RPM
- Alta (3)..... 0-2,900 RPM
- Función de modo autorroscante (🌀) ..... 0-2,150 RPM

### **AVISO:**

Nunca cambie de modo mientras esté funcionando la herramienta. Si lo hace, provocará daños graves en la herramienta.

## DIODO LUMINISCENTE

Vea la figura 5, página 9.

La luz LED ubicada en la base de la herramienta ilumina cuando se presiona el gatillo del interruptor.

Si el taladro no está en uso, la función de tiempo de espera hará que la luz comience a perder intensidad y, luego, se apagará.

La luz de diodo luminiscente solamente ilumina cuando hay un paquete de batería cargado en la herramienta.

## USO DEL DESTORNILLADOR DE IMPACTO

Vea las figuras 6 y 7, página 9.

### **AVISO:**

El destornillador de impacto no está diseñado para utilizarse como taladro.

### **ADVERTENCIA:**

No introduzca tornillos donde pudiera haber cables ocultos detrás de la superficie. Todo contacto de una herramienta con un cable cargado carga las piezas metálicas expuestas de la herramienta y da una descarga eléctrica posiblemente al operador. Si debe introducir tornillos donde pudiera haber cables ocultos, siempre sujete la herramienta por las superficies aisladas de sujeción (mango) al efectuar una operación para evitar una descarga eléctrica al operador.

- Revise el selector de sentido de rotación para ver si está en la posición correcta (marcha adelante o atrás).
- Sujete el destornillador de impacto firmemente con una mano.
- Coloque la punta de destornillador en la cabeza del tornillo, la cabeza del perno, y tuerca y oprima lentamente el gatillo del interruptor. Empieza a girar lentamente la punta de destornillador para tener mayor control.
- A medida que se enrosca el tornillo, perno, y tuerca, comienza la aplicación de impactos.

## FRENO ELÉCTRICO

El freno eléctrico detiene el giro de la punta de destornillador después de soltar el operador el gatillo del interruptor.

**Este producto tiene una política de satisfacción garantizada de 90 días y una garantía limitada de tres años. Para obtener detalles sobre la garantía y la política de satisfacción garantizada, diríjase a [powertools.ridgid.com](http://powertools.ridgid.com) o llame sin cargo al 1-866-539-1710.**

# MAINTENANCE

---

## **WARNING:**

When servicing, use only identical replacement parts. Use of any other parts could create a hazard or cause product damage.

---

## **GENERAL MAINTENANCE**

Avoid using solvents when cleaning plastic parts. Most plastics are susceptible to damage from various types of commercial solvents and may be damaged by their use. Use clean cloths to remove dirt, dust, oil, grease, etc.

# ENTRETIEN

---

## **AVERTISSEMENT :**

Utiliser exclusivement des pièces d'origine pour les réparations. L'usage de toute autre pièce pourrait créer une situation dangereuse ou endommager l'produit.

---

## **ENTRETIEN GÉNÉRAL**

Éviter d'utiliser des solvants pour le nettoyage des pièces en plastique. La plupart des matières plastiques peuvent être endommagées par divers types de solvants du commerce. Utiliser un chiffon propre pour éliminer la saleté, la poussière, l'huile, la graisse, etc.

# MANTENIMIENTO

---

## **ADVERTENCIA:**

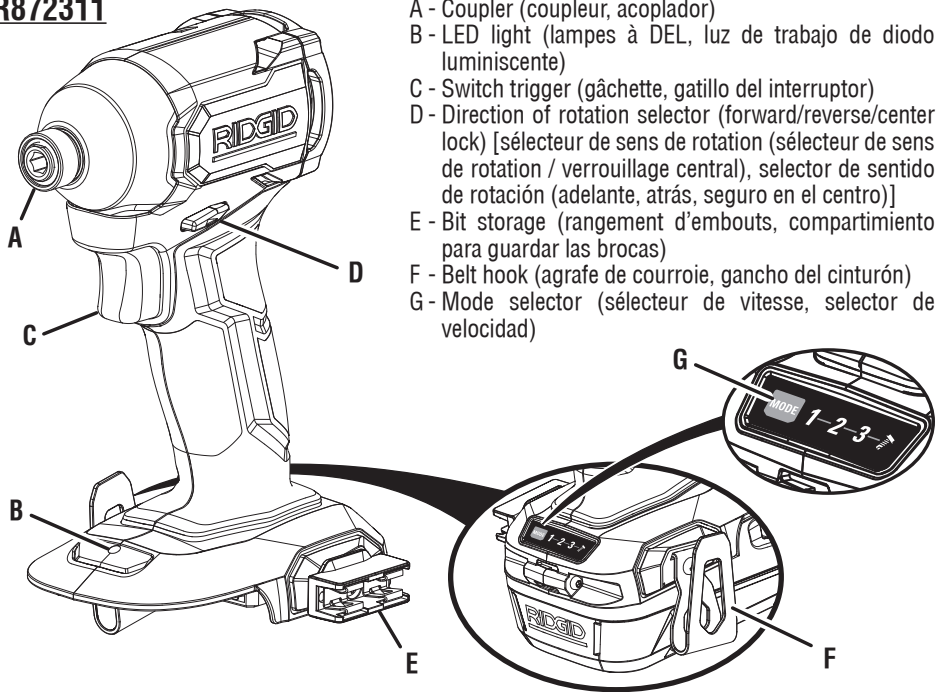
Al dar servicio a la unidad, sólo utilice piezas de repuesto idénticas. El empleo de piezas diferentes podría causar un peligro o dañar el producto.

---

## **MANTENIMIENTO GENERAL**

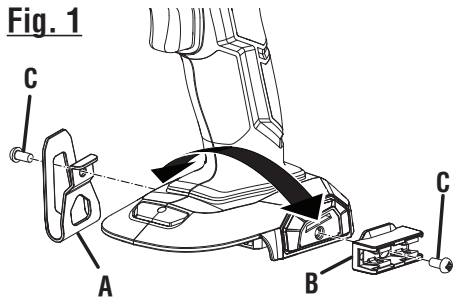
Evite el empleo de solventes al limpiar piezas de plástico. La mayoría de los plásticos son susceptibles a diferentes tipos de solventes comerciales y pueden resultar dañados. Utilice paños limpios para eliminar la suciedad, el polvo, el aceite, la grasa, etc.

**R872311**



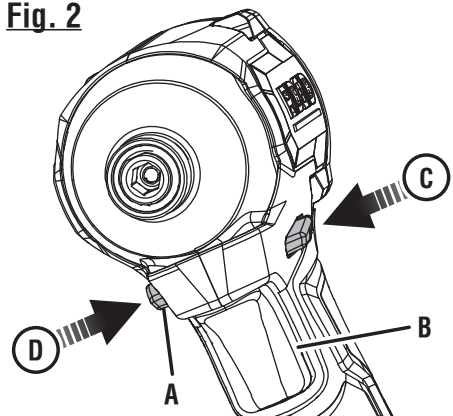
- A - Coupler (coupleur, acoplador)
- B - LED light (lampes à DEL, luz de trabajo de diodo luminiscente)
- C - Switch trigger (gâchette, gatillo del interruptor)
- D - Direction of rotation selector (forward/reverse/center lock) [sélecteur de sens de rotation (sélecteur de sens de rotation / verrouillage central), selector de sentido de rotación (adelante, atrás, seguro en el centro)]
- E - Bit storage (rangement d'embouts, compartimiento para guardar las brocas)
- F - Belt hook (agrafe de courroie, gancho del cinturón)
- G - Mode selector (sélecteur de vitesse, selector de velocidad)

**Fig. 1**



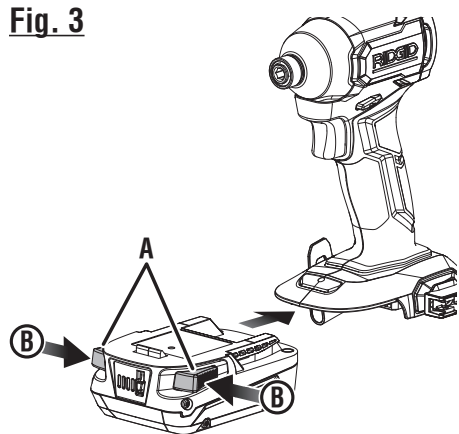
- A - Belt hook (agrafe de courroie, gancho del cinturón)
- B - Bit storage (rangement d'embouts, compartimiento para guardar las brocas)
- C - Screw (vis, tornillo)

**Fig. 2**



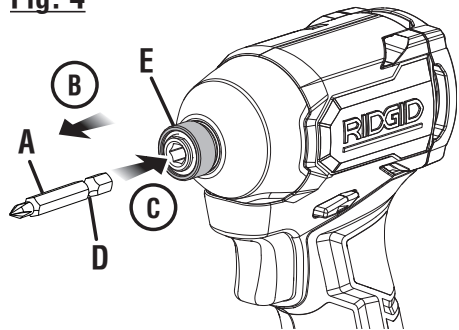
- A - Direction of rotation selector (forward/reverse/center lock) [sélecteur de sens de rotation (sélecteur de sens de rotation / verrouillage central), selector de sentido de rotación (adelante, atrás, seguro en el centro)]
- B - Switch trigger (gâchette, gatillo del interruptor)
- C - Reverse (rotation arrière, marcha atrás)
- D - Forward (rotation avant, marcha adelante)

**Fig. 3**



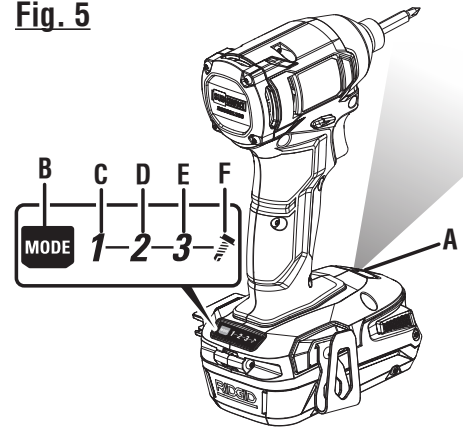
- A - Latch (loquet, pestillo)
- B - Depress latches to release battery pack (appuyer sur les loquets pour libérer le bloc-pile, para soltar el paquete de baterías oprima los pestillos)

**Fig. 4**



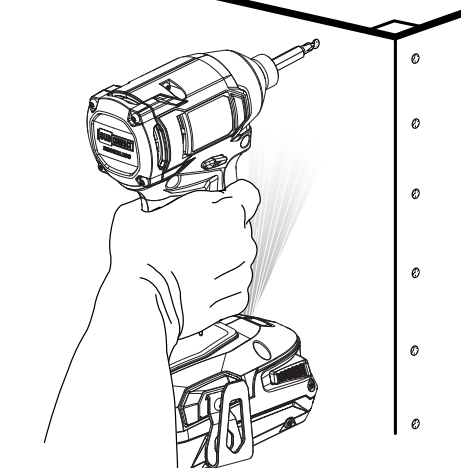
- A - Bit (embout, broca)
- B - To eject bit (pour éjecter l'embout, para expulsar la punta)
- C - To insert bit (pour insérer l'embout, para insertar la punta)
- D - Locking groove (rainure de verrouillage, ranura de aseguramiento)
- E - Coupler (coupleur, acoplador)

**Fig. 5**



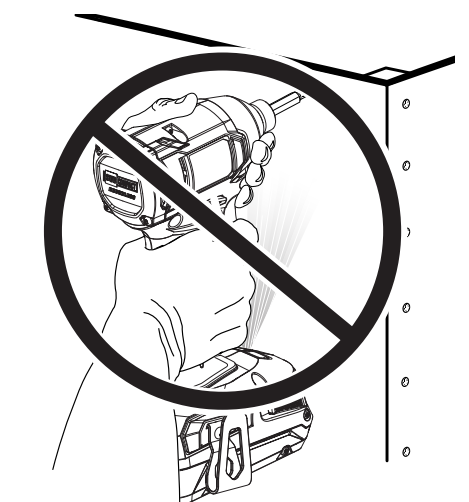
- A - LED light (lampe DÉL, diodo luminiscente)
- B - Mode selector (sélecteur de vitesse, selector de velocidad)
- C - Low (1) (basse [1], baja [1])
- D - Medium (2) (moyen [2], mediano [2])
- E - High (3) (rapide [3], alta [3])
- F - Self-tapping mode (fonction de mode auto-taraudant, función de modo autorroscante)

**Fig. 6**



**CORRECT GRIP / PRISE CORRECTE / SUJETAR CORRECTA**

**Fig. 7**



**INCORRECT GRIP / PRISE INCORRECTE / SUJETAR INCORRECTA**





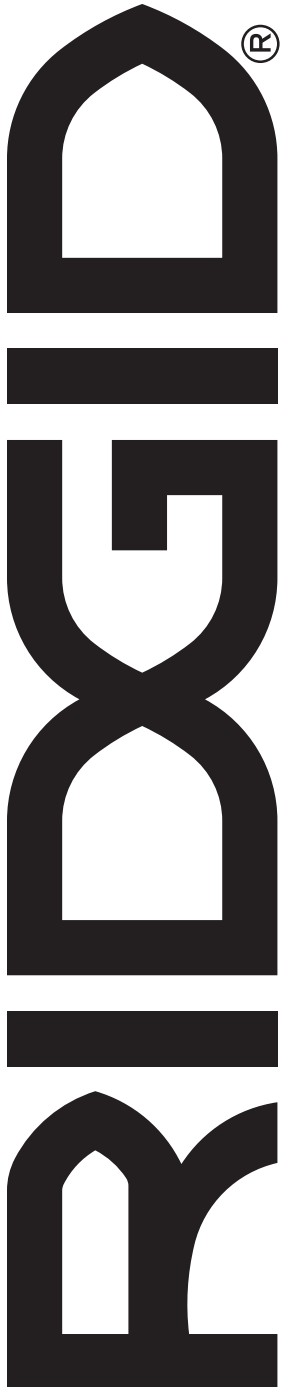
# OPERATOR'S MANUAL MANUEL D'UTILISATION MANUAL DEL OPERADOR

## 18 V SUBCOMPACT 4-MODE IMPACT DRIVER

### CLÉ À CHOCS SUBCOMPACT 18 V À 4 MODES

### DESTORNILLADOR DE IMPACTO SUBCOMPACTA, DE 18 V DE 4 MODOS

R872311



#### Customer Service Information:

For parts or service, do not return this product to the store. Contact your nearest RIDGID® authorized service center. Be sure to provide all relevant information when you call or visit. For the location of the authorized service center nearest you, please call 1-866-539-1710 or visit us online at [www.RIDGID.com](http://www.RIDGID.com).

MODEL NO.\* \_\_\_\_\_ SERIAL NO. \_\_\_\_\_

*\*Model number on product may have additional letters at the end. These letters designate manufacturing information and should be provided when calling for service.*

---

#### Service après-vente :

Pour acheter des pièces ou pour un dépannage, ne pas retourner ce produit au magasin. Contacter le centre de réparations RIDGID® agréé le plus proche. Veiller à fournir toutes les informations pertinentes lors de tout appel téléphonique ou visite. Pour obtenir l'adresse du centre de réparations agréé le plus proche, téléphoner au 1-866-539-1710 ou visiter notre site [www.RIDGID.com](http://www.RIDGID.com).

NO. DE MODÈLE\* \_\_\_\_\_ NO. DE SÉRIE \_\_\_\_\_

*\*Le numéro de modèle sur le produit peut contenir des lettres supplémentaires à la fin. Ces lettres désignent les informations du fabricant et doivent être fournies lors d'un appel de demande de service.*

---

#### Información sobre servicio al consumidor:

Para piezas de repuesto o servicio, no devuelva este producto a la tienda. Comuníquese con el centro de servicio autorizado de productos RIDGID® de su preferencia. Asegúrese de proporcionar todos los datos pertinentes al llamar o al presentarse personalmente. Para obtener información sobre el centro de servicio autorizado más cercano a usted, le suplicamos llamar al 1-866-539-1710 o visitar nuestro sitio en la red mundial, en la dirección [www.RIDGID.com](http://www.RIDGID.com).

NÚM. DE MODELO\* \_\_\_\_\_ NÚM. DE SERIE \_\_\_\_\_

*\*El número de modelo que figura en el producto podría tener letras adicionales al final. Estas designan información de fabricación y deben suministrarse cuando llame para obtener asistencia o servicio.*

#### TTI CONSUMER POWER TOOLS, INC.

P.O. Box 1427  
Anderson, SC 29622 USA  
1-866-539-1710 ■ [powertools.ridgid.com](http://powertools.ridgid.com)

*RIDGID is a registered trademark of RIDGID, Inc., used under license.*

999000026  
4-13-22 (REV:02)