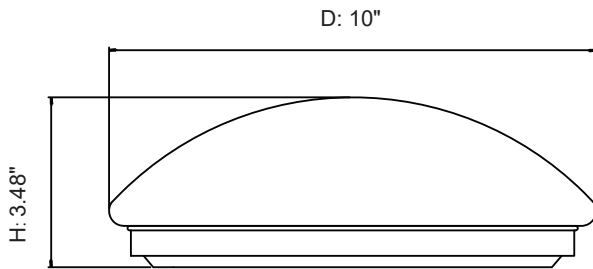




- Unique mushroom design
- Integrated LED chips
- Lifespan 50000 hours
- Dimmable, flicker free
- ETL listed



Model #	Size(inch)	Voltage(V)	Power	Lumens	Color Temp	Dimmable	Finish
MR011016D-830WH	D 10" x H 3.48"	120V	16W	1120LM	3000K	Yes	White
MR011016D-840WH	D 10" x H 3.48"	120V	16W	1120LM	4000K	Yes	White

Technical support available at [Monica@wayspride.com](mailto:Monica@wayspride.com)

**LIMITED ONE YEAR WARRANTY**

If within one(1) year from the date of purchase, the product fails due to a defect in material or workmanship, WaysPride LLC(Genesis Lighting) will repair or replace it free of charge.

WaysPride LLC will not be liable for incidental or consequential damages to purchases, or any other party.

For any loss, damage, injury or expense of any kind or nature caused directly or indirectly by the product or the failure of the product to operate properly.

Warranty service is available by mailing postage prepaid to WaysPride LLC.

730 Dawson DR KH0158, Newark, Delaware, 19713 USA.

A valid copy of original invoice and return merchandise authorization ( or RMA) are required for all warranty services.

## INSTALLATION STEPS:

1. Drive the screw into the junction box, with 2/3 inside and 1/3 outside for more easy install.

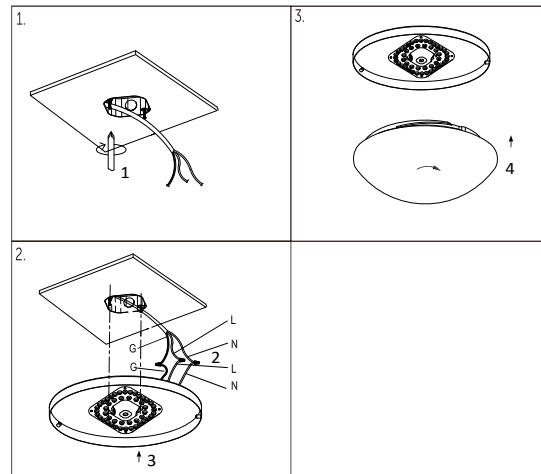
2. Connect the light's white wire to the supply circuit's white (neutral) wire and screw down a wire nut.

Connect the light's black wire to the supply circuit's black (live) wire and screw down a wire nut.

Connect the light's green wire to the supply circuit's ground wire and screw down a wire nut.

3. Tuck all the wires into the junction box. Align the mounting hole on the fixture to the driven screws and put in, then twist the fixture clockwise. Use the screw driver to adjust the screws outside length and fix the fixture on the ceiling.

4. Put the lampshade back to the light base.



## WARNING

**RISK OF PERSONAL INJURY-PLEASE READ THESE INSTRUCTIONS CAREFULLY.FOLLOW ALL INSTALLATION INSTRUCTIONS AND OBSERVE ALL WARNINGS.**

Make sure the "supply" voltage corresponds to the "rated" product voltage 120V 60HZ. Retain these instructions. Note: If you are an installer ,please give these instructions to the property owner for future reference.

**Risk of injury:** Always wear the necessary safety equipment to prevent injuries when opening, handling, installing and maintaining this product.

**Risk of Fire:** Always consult with a qualified electrician to ensure the correct branch circuit conductor is utilized.

**Risk of electrical shock:** This product must be installed in accordance with the applicable installation code by a professional familiar with the construction and operation of the product. The professional should also be aware of, and understand the hazards involved with the installation of this product.

## FREQUENTLY ASKED QUESTIONS AND ANSWERS:

Q: Does this light flicker when they are dimmed on a dimmer switch?

A: No flicker. It is dimmable. This product is compatible with most common residential type dimmers, dimming performance depends on dimmers.Recommended Dimmers Brand:

Lutron: MACL-153M, DVL-153P, SCL-153P.

Leviton: IPL06-10Z, 6674-POW.

Q: Will it work in the bathroom? or where can it be used?

A: Yes, the light is damp rated, and can be used in bathrooms. The light fixture can be widely used in living rooms, hallways, closets, bedrooms and more.