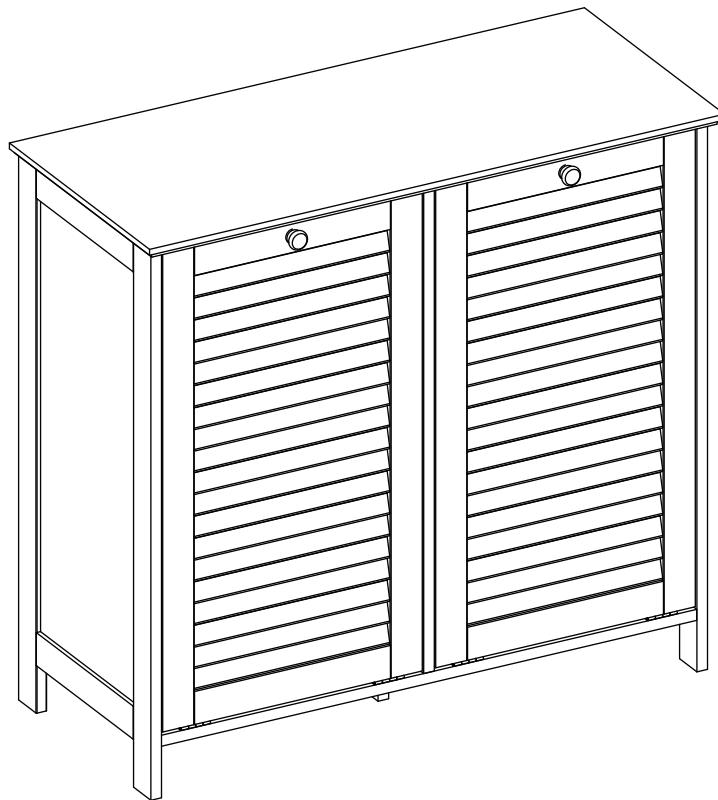




ASSEMBLY INSTRUCTIONS



RiverRidge® Ellsworth Double Tilt-Out Laundry Hamper

ITEM #: 06-141 White

ADULT ASSEMBLY REQUIRED

This product requires assembly by an adult because of small parts. Care should be taken in unpacking and assembling this item to keep small parts away from children. During assembly children should be kept away from the product due to possible risk of injury.

WARNING SEE FULL WARNING ON PAGE 2

Young children can be seriously injured or killed if furniture tips over.
Don't use this item for a TV stand or place heavy objects on top of item.
Always use angle-braces or anchors to secure furniture to the wall.

THIS UNIT WILL HOLD UP TO 25 POUNDS PER SHELF AND 15 POUNDS PER CLOTH HAMPER OR A TOTAL OF 55 POUNDS. DO NOT LOAD EACH SHELF WITH MORE THAN 25 POUNDS, EACH CLOTH HAMPER WITH MORE THAN 15 POUNDS OR 55 POUNDS TOTAL WEIGHT. IF OVERLOADED WITH MORE THAN 25 POUNDS PER SHELF, 15 POUNDS PER CLOTH HAMPER OR 55 POUNDS TOTAL WEIGHT, SHELF MAY TIP FROM THE WALL AND CAUSE SERIOUS INJURY OR DEATH.

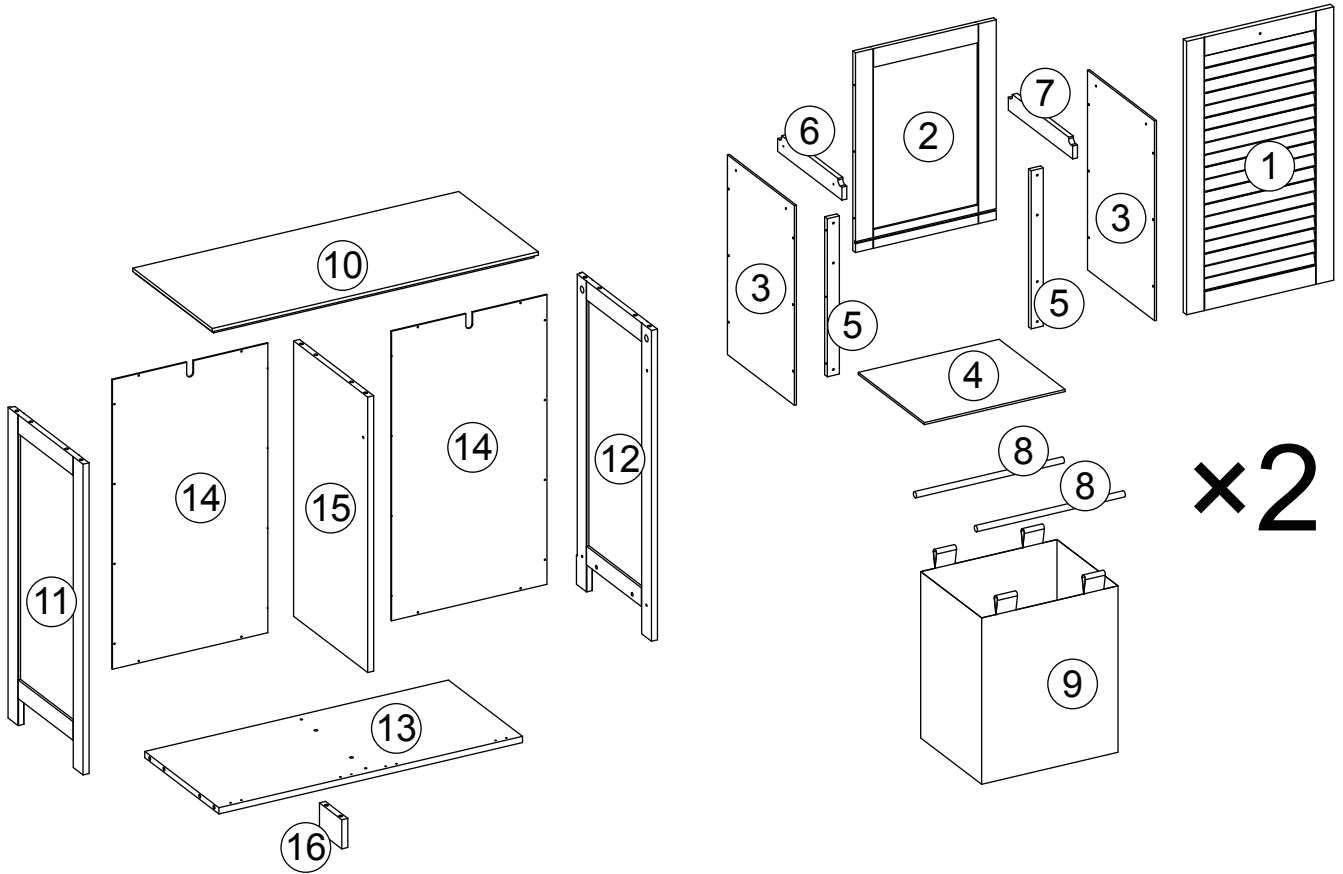


WARNING

SERIOUS OR FATAL INJURIES CAN OCCUR FROM FURNITURE TIP-OVER. TO HELP PREVENT TIP-OVER:

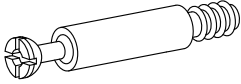

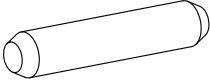
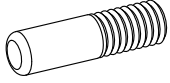
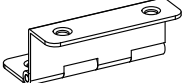
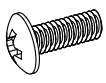
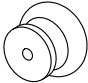
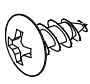
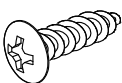
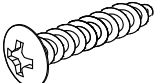
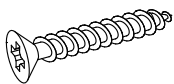
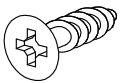
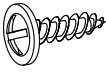
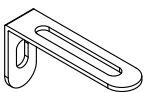
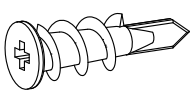
- **Always use tip over restraints and/or wall anchors to secure furniture to the wall**
- **Place heaviest items in the lowest drawers/bins or shelves**
- **Do not set TV's or other heavy objects on the top of this product**
- **Never allow children to climb or hang on to the drawers/bins, doors or shelves of furniture**
- **Never open more than one drawer at a time or defeat or remove any drawer interlock system**

PARTS LIST



NO	QTY	DESCRIPTION
1	2PCS	Hamper Front Door
2	2PCS	Hamper Back Panel
3	4PCS	Hamper Side Panel
4	2PCS	Hamper Bottom Board
5	4PCS	Hamper Support Bar
6	2PCS	Hamper Left Cross Bar
7	2PCS	Hamper Right Cross Bar
8	4PCS	Wooden Rod
9	2PCS	Cloth Hamper
10	1PC	Top Board
11	1PC	Left Side Panel
12	1PC	Right Side Panel
13	1PC	Bottom Board
14	2PCS	Back Board
15	1PC	Middle Support Panel
16	1PC	Middle Support Feet

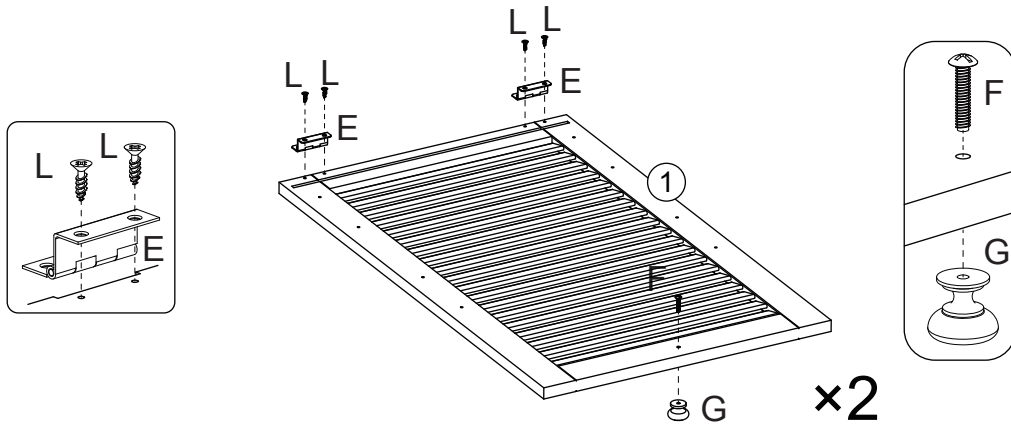
PARTS LIST

NO	PARTS	QTY	DESCRIPTION
A		14PCS	Cam Bolt
B		14PCS	Cam Lock
C		12PCS	Wood Dowel
D		4PCS	Hamper Stopper
E		4PCS	Hinge
F		2PCS	Machine Screw (4x18mm)
G		2PCS	Knob
H		2PCS	Screw (4x10mm)
I		8PCS	Screw (4x15mm)
J		40PCS	Screw (4x20mm)
K		2PCS	Screw (4x30mm)
L		16PCS	Screw (3x12mm)
M		20PCS	Screw (2.5x10mm)
N		2PCS	Adjustable Anchor Bracket
O		2PCS	Plastic Anchor

**TOOLS NEEDED FOR ASSEMBLY: FLAT & PHILLIPS SCREWDRIVER (NOT INCLUDED)
THE USE OF A POWER SCREWDRIVER IS NOT RECOMMENDED FOR ASSEMBLY
DO NOT USE ITEM IF ANY PARTS ARE MISSING OR DAMAGED**

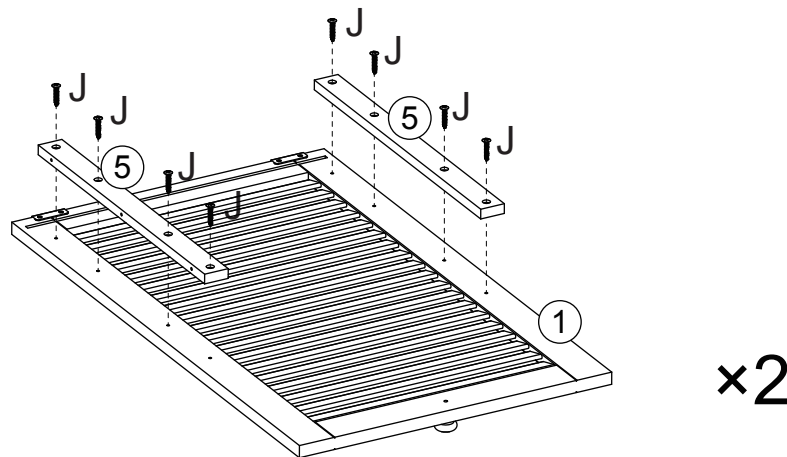
To order replacement parts at no cost to you, email customer.service@ssi-rr.com, call 1-(844)-223-5201 or order parts online at www.riverridgehome.com. Only valid in the United States. If purchased outside of the United States, please contact retailer where purchased.

STEP 1



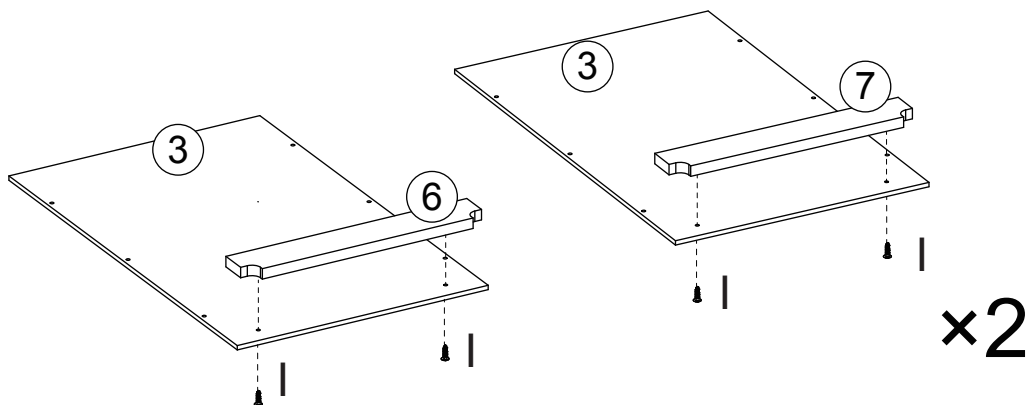
1. Attach 2 hinges (E) to hamper front door (1) by inserting 4 screws (L) through holes on hinges (E), then tighten to hamper front door (1).
2. Attach knob (G) to hamper front door (1) by inserting machine screws (F) through hole on hamper front door (1), then tighten to knob (G).
3. Repeat above steps to assemble hinges (E) and knob (G) to another hamper front door (1).

STEP 2



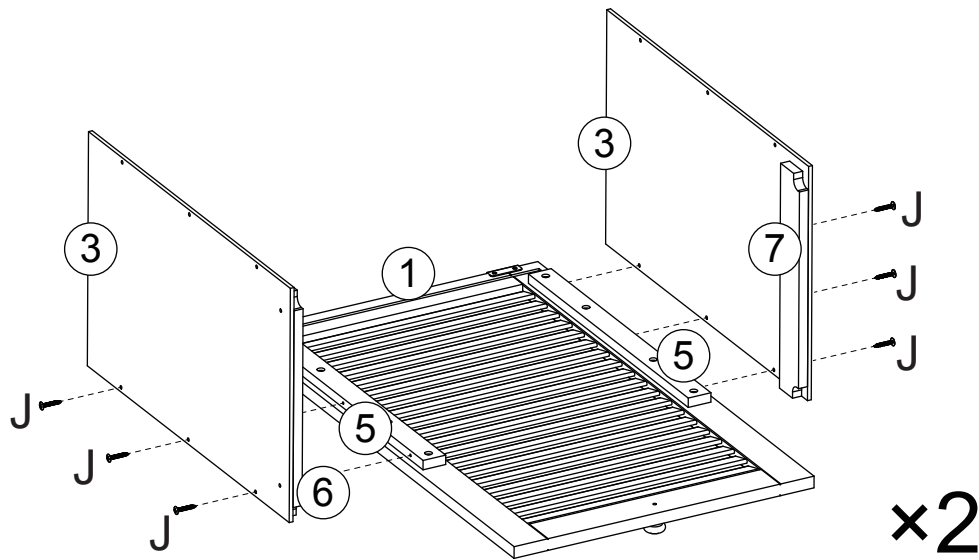
1. Attach 2 hamper support bars (5) to hamper front door (1) by inserting 8 screws (J) through holes on hamper support bars (5), then tighten to hamper front door (1).
2. Repeat above step to assemble hamper support bars to another hamper front door (1).

STEP 3



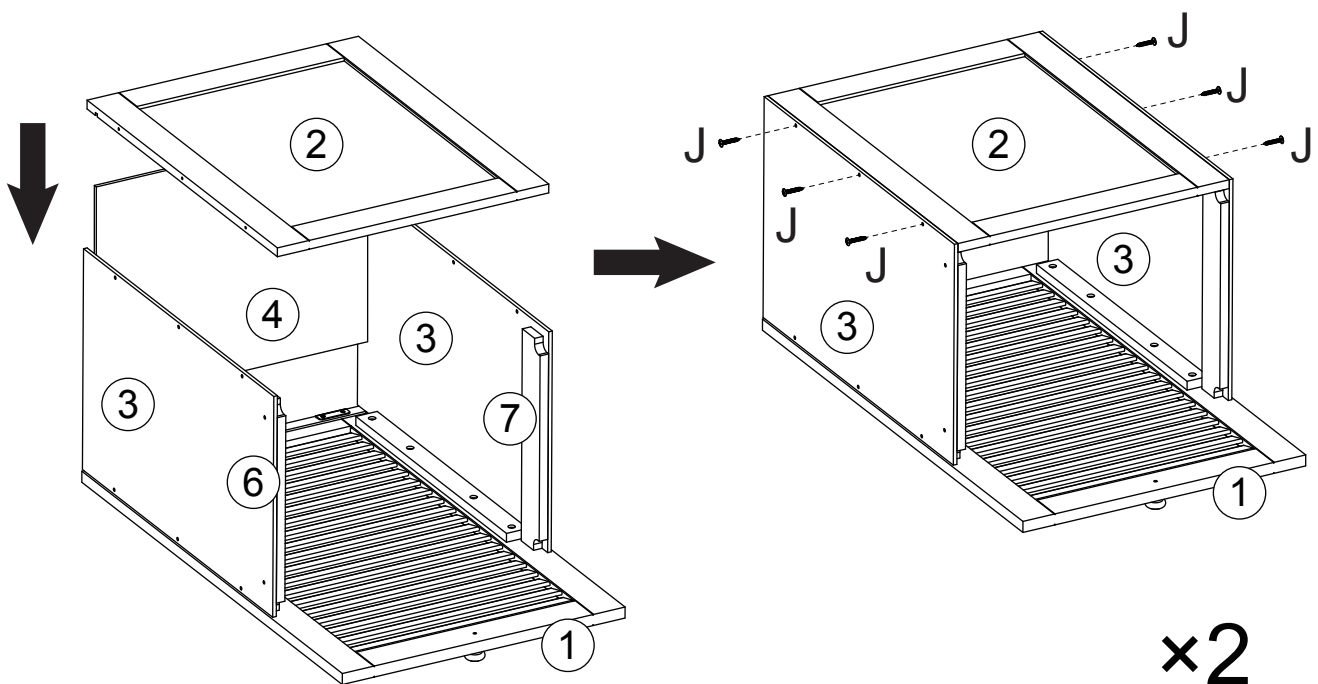
1. Attach hamper left cross bar (6) to hamper side panel (3) by inserting 2 screws (I) through holes on hamper side panel (3), then tighten to hamper left cross bar (6).
2. Attach hamper right cross bar (7) to hamper side panel (3) by inserting 2 screws (I) through holes on hamper side panel (3), then tighten to hamper right cross bar (7).
3. Repeat above steps to assemble another hamper left cross bar (6) and hamper right cross bar (7) to other hamper side panels (3)

STEP 4



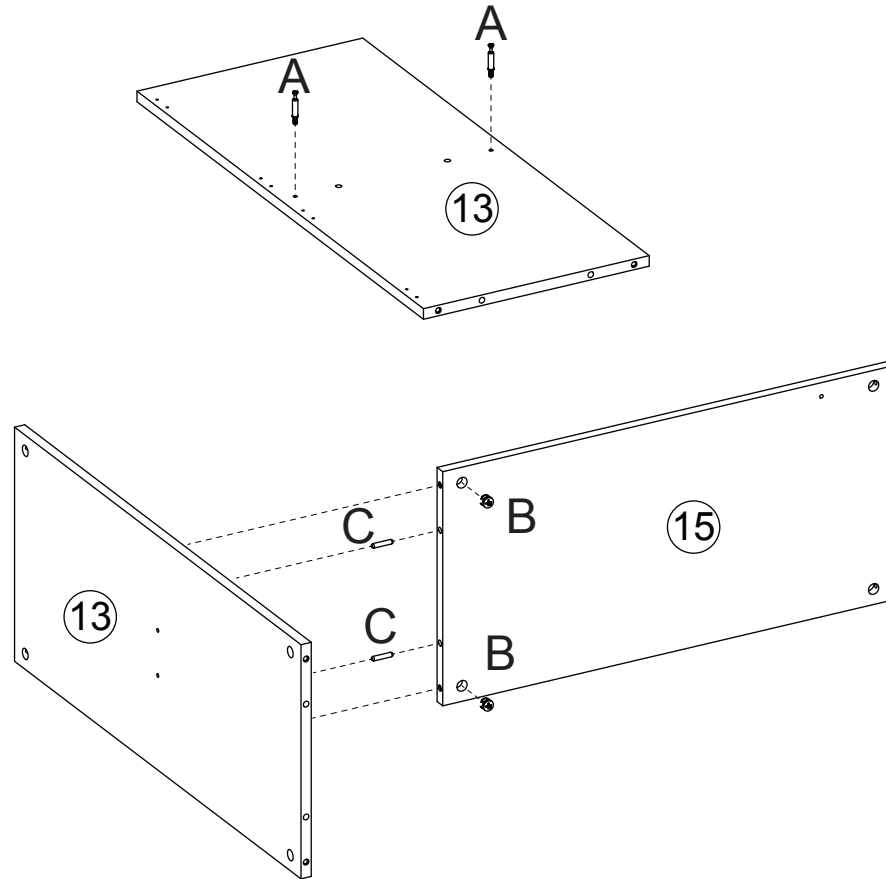
1. Attach 2 hamper side panels (3) to hamper front door (1) by inserting 6 screws (J) through holes on hamper side panels (3), then tighten to hamper support bars (5).
2. Repeat above step to assemble another 2 hamper side panels (3) to hamper front door (1).

STEP 5



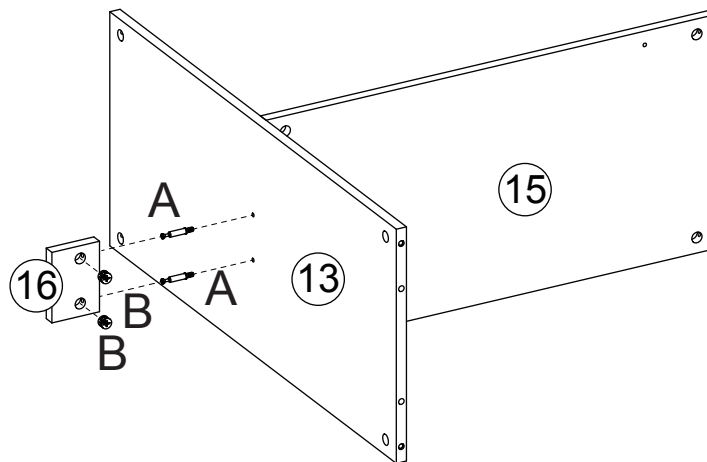
1. Slide hamper bottom board (4) into groove on hamper front door (1).
2. Attach hamper back panel (2) to hamper side panels (3) and hamper bottom board (4), make sure hamper bottom board (4) slides into groove on hamper back panel (2).
3. Insert 6 screws (J) through holes on hamper side panels (3), then tighten to hamper back panel (2).
4. Repeat above steps to assemble another hamper bottom board (4) and hamper back panel (2) to other hamper side panels (3).

STEP 6



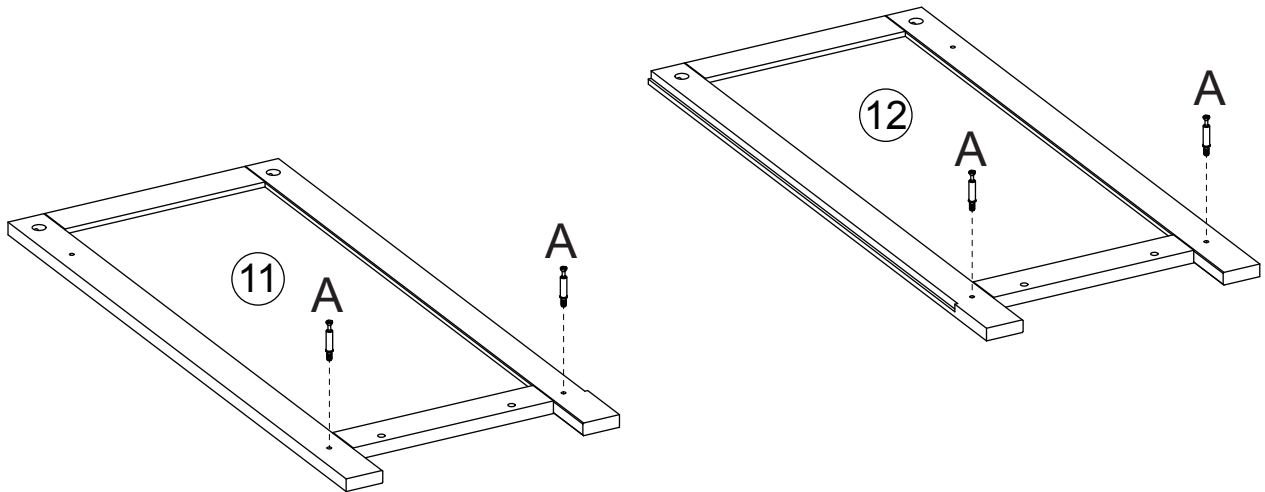
1. Screw 2 cam bolts (A) into cam bolt holes on bottom board (13).
2. Insert 2 wood dowels into wood dowel holes on bottom board (13)
3. Attach middle support panel (15) to bottom board (13) by inserting cam bolts (A) into cam lock holes and wood dowels (C) into wood dowel holes on middle support panel (15).
4. Insert 2 cam locks (B) into cam lock holes on middle support panel (15), then rotate clockwise to secure cam bolts (A) in place.

STEP 7



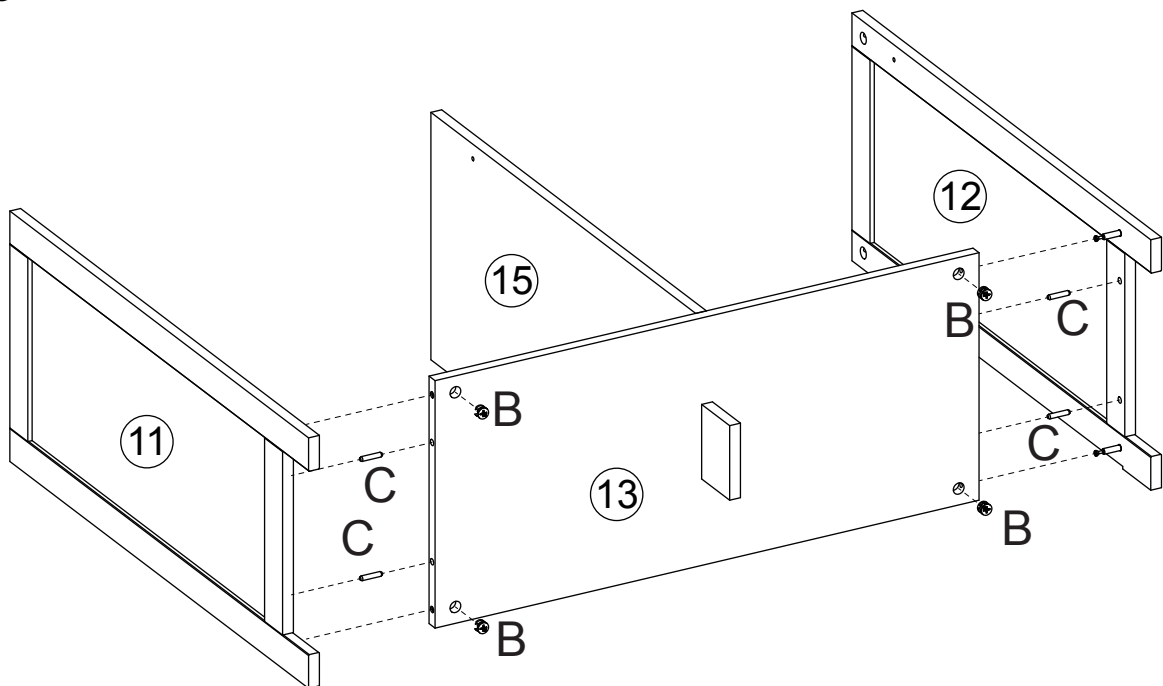
1. Screw 2 cam bolts (A) into cam bolt holes on bottom board (13).
2. Attach middle support feet (16) to bottom board (13) by inserting cam bolts (A) into cam lock holes on middle support feet (16).
3. Insert 2 cam locks (B) into cam lock holes on middle support feet (16), then rotate clockwise to secure cam bolts (A) in place.

STEP 8



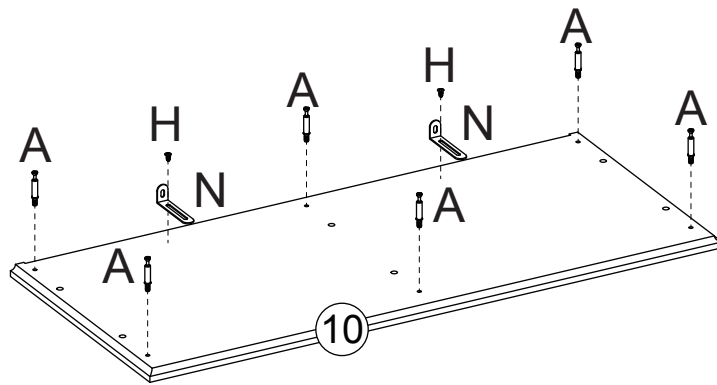
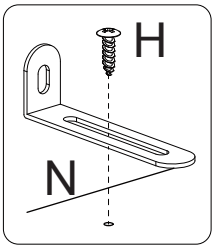
1. Screw 2 cam bolts (A) into cam bolt holes on left side panel (11).
2. Screw 2 cam bolts (A) into cam bolt holes on right side panel (12).

STEP 9



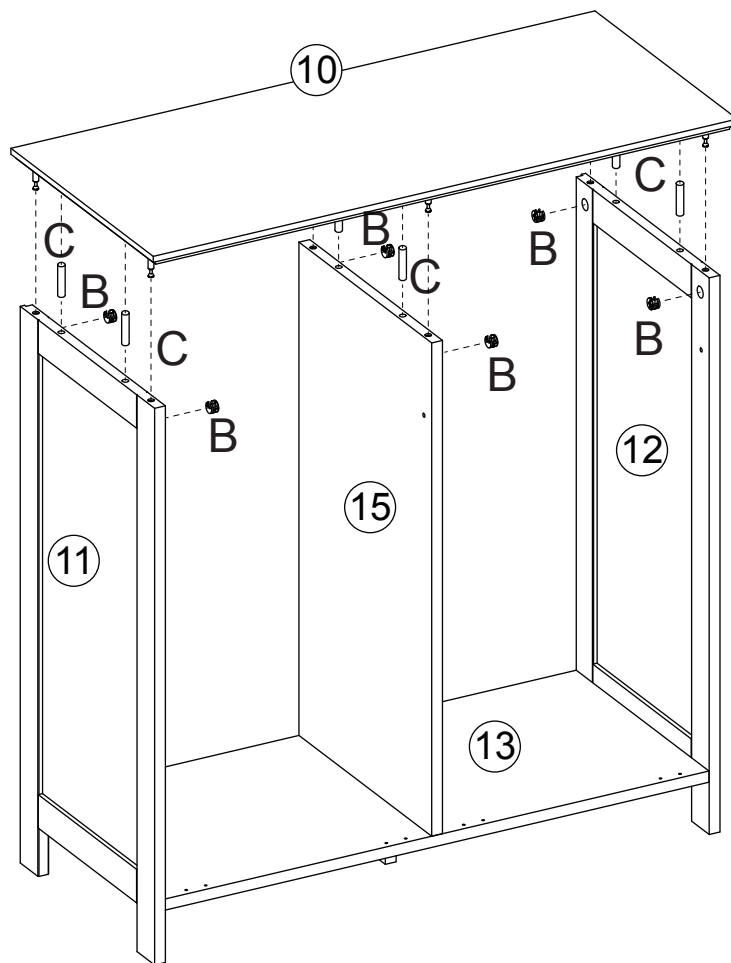
1. Insert 4 wood dowels (C) into wood dowel holes on left side panel (11) and right side panel (12).
2. Attach bottom board (13) to left side panel (11) by inserting cam bolts (A) into cam lock holes and wood dowels (C) into wood dowel holes on bottom board (13).
3. Insert 2 cam locks (B) into cam lock holes, then rotate clockwise to secure cam bolts (A) in place.
4. Repeat above steps to assemble right side panel (12) to bottom board (13).

STEP 10



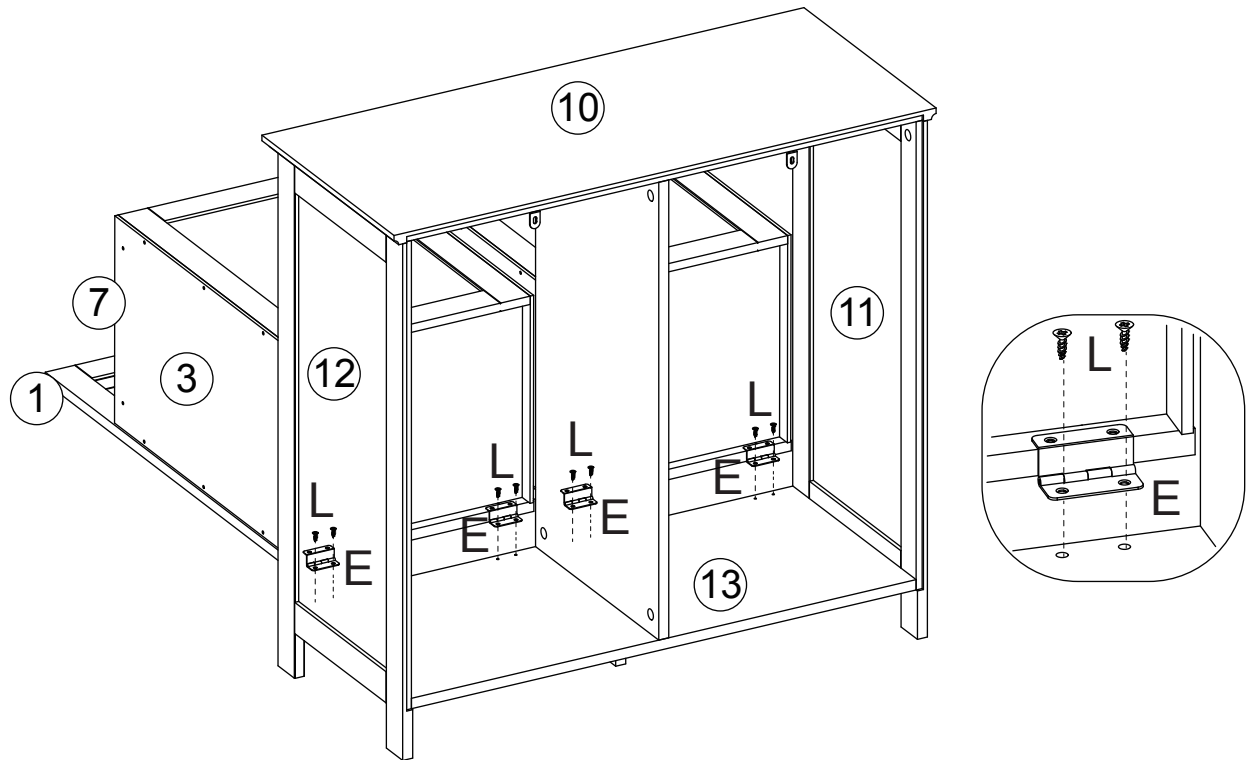
1. Screw 6 cam bolts (A) into cam bolt holes on top board (10).
2. Attach 2 adjustable anchor brackets (N) to top board (10) by inserting 2 screws (H) through holes on adjustable anchor brackets (N), then tighten to top board (10).

STEP 11



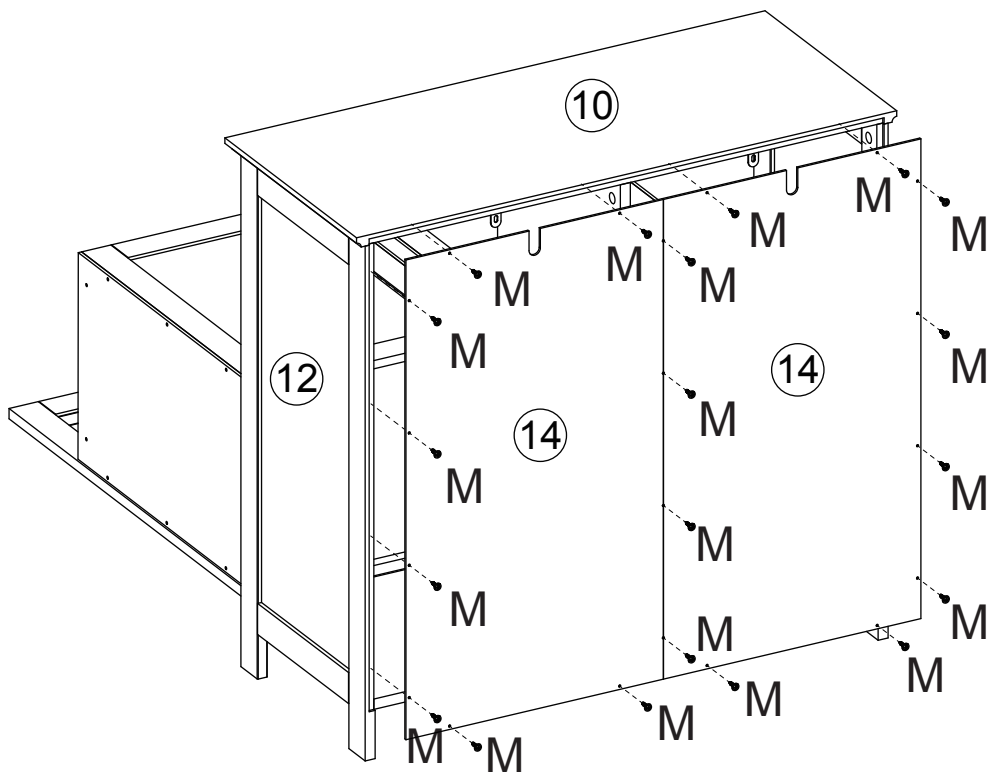
1. Insert 6 wood dowels (C) into wood dowel holes on top board (10).
2. Attach top board (10) to left side panel (11), middle support panel (15) and right side panel (12) by inserting wood dowels (C) into wood dowel holes and inserting cam bolts (A) into cam lock holes on left side panel (11), middle support panel (15) and right side panel (12).
3. Insert 6 cam locks (B) into cam lock holes on left side panel (11), middle support panel (15) and right side panel (12), then rotate clockwise to secure cam bolts (A) in place.

STEP 12



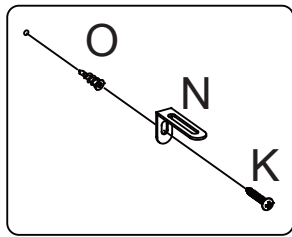
1. Attach assembled hampers to outside cabinet by inserting 8 screws (L) through 4 hinges (E), then tighten to bottom board (13).

STEP 13

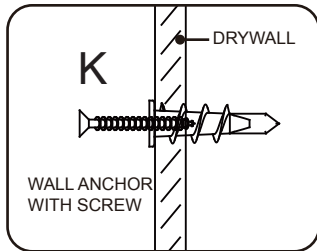


1. Attach 2 back boards (14) to back of cabinet by inserting 20 screws (M) through holes on back boards(14), then tighten to back of cabinet.

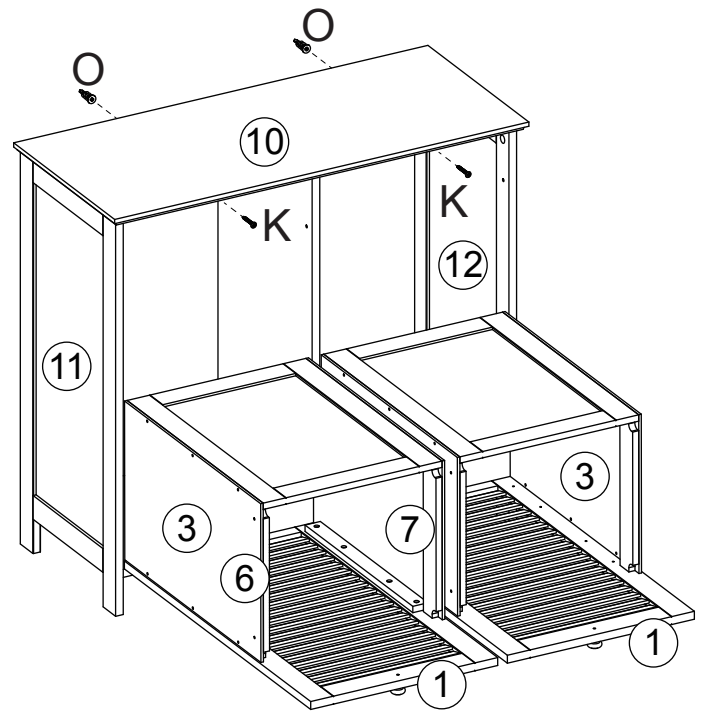
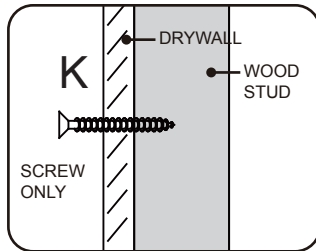
STEP 14



OPTION #1



OPTION #2



Option #1: Securing to Drywall

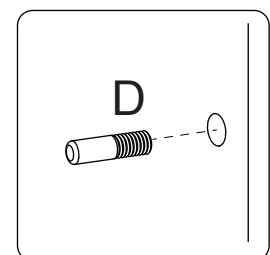
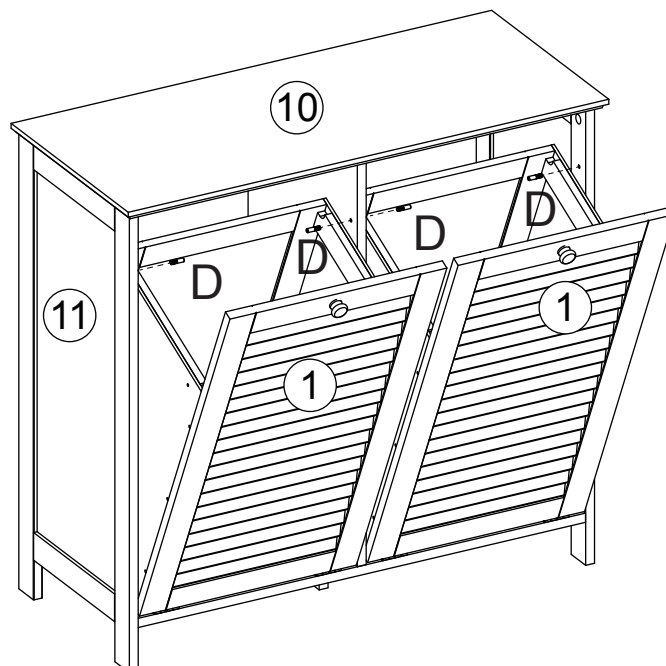
1. Position cabinet against wall in desired location. Using a pencil, make 2 small marks on wall through holes on brackets (N). Move cabinet away from wall and screw 2 plastic anchors (O) into wall on pencil marks.
2. Place cabinet against wall, insert 2 screws (K) through holes on brackets (N), then tighten to plastic anchors (O).

Option #2: Securing to Drywall and Wood Stud

1. Position cabinet against wall in desired location. Insert 2 screws (K) through holes on brackets (N), then tighten through drywall and into wood stud.

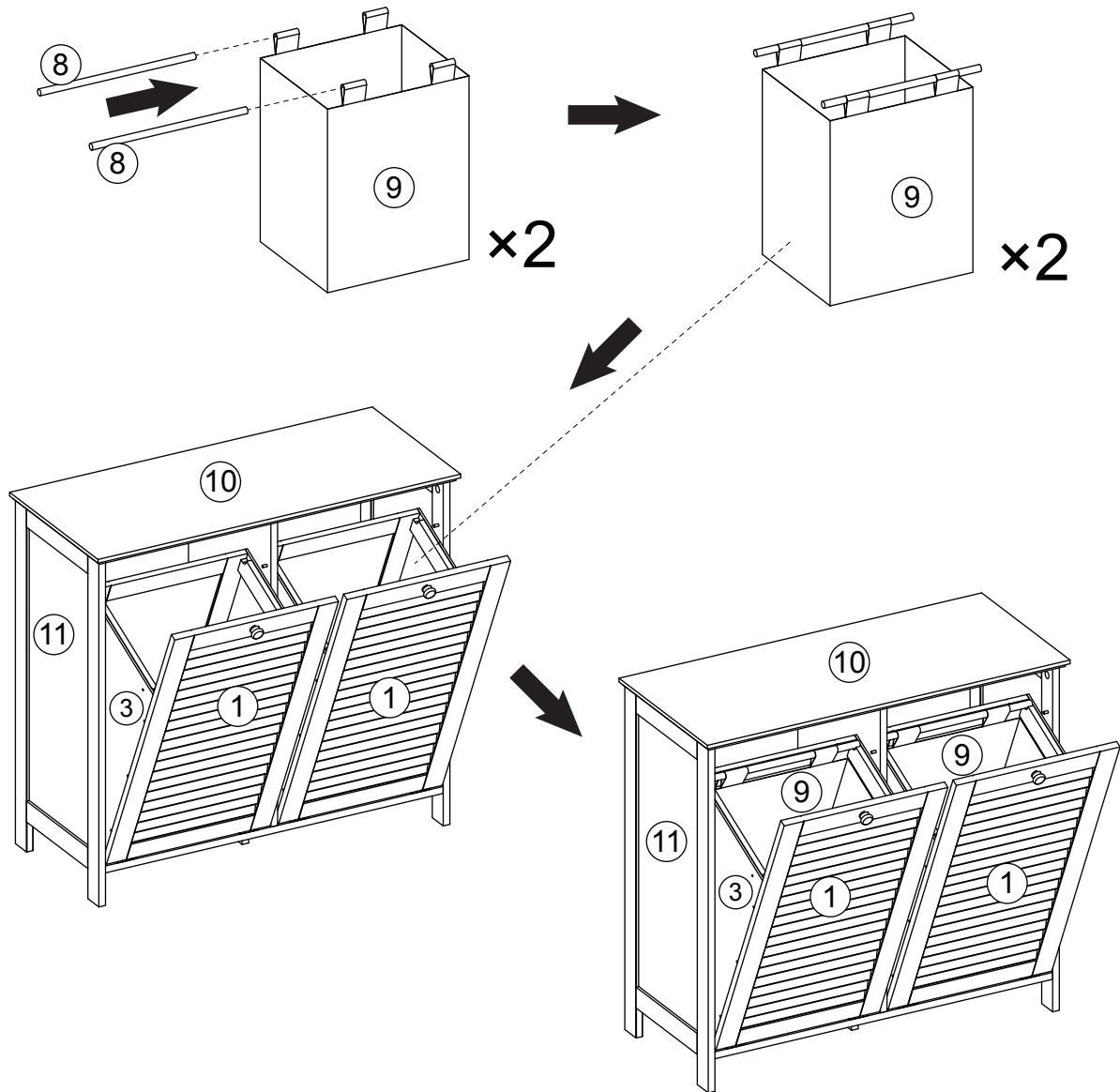
*Tip: Anchor brackets (N) can be adjusted to correct distance from wall to cabinet as needed. Once adjusted, be sure to re-tighten brackets inside cabinet for stability.

STEP 15



1. Insert 4 hamper stoppers (D) into holes on left side panel (11), middle support panel (15) and right side panel (12).

STEP 16



1. Insert 2 wooden rods (8) through tabs on cloth hamper (9).
2. Place wooden rods (8) and cloth hamper (9) into cabinet as shown. Insert wooden rods (8) into grooves on hamper side panels (3) to avoid movement.
3. Repeat above steps to assemble other wooden rods (8) and cloth hamper to unit.

ATTENTION ADULTS: Cabinet should be checked periodically for damage or loose screws/parts. Take appropriate action necessary to correct hazards such as tightening of screws and taking any damaged parts away from children.

WARNING  Please make sure your item is secured to the wall, per assembly instructions.

CARE INSTRUCTIONS:

Wipe clean with a water dampened cloth. Wipe dry with clean cloth.

IMPORTANT:

Keep assembly instructions for future reference.

Enjoy Your New RiverRidge® Hamper!



Thank you for purchasing this RiverRidge® Home item. We hope you enjoy it and consider purchasing other RiverRidge® items.

To order replacement parts at no cost to you, email customer.service@ssi-rr.com, call 1-(844)-223-5201 or order parts online at www.riverridgehome.com. Only valid in the United States. If purchased outside of the United States, please contact retailer where purchased.



RiverRidge® is a registered trademark of Sourcing Solutions, Inc., Hudson, WI 54016