



# Electrolux Rechargeable Fabric Shaver

LX-300R

Instruction Manual

## Important safety instructions

- Please read and retain these instructions for future reference
- Use this fabric shaver only as recommended in this manual.
- Do not use this product for any other use other than the intended use it is designed for.
- Use this product on fabric only.
- This product is equipped with a sharp cutting blade. Use with care and do not leave unattended.
- To prevent bodily injury, do not use this appliance on skin or hair.
- Do not insert fingers or other objects into the fabric shaver. Doing so can cause injury and damage.
- Always turn the fabric shaver off before inserting or removing plug from electrical outlet.
- Never pull on the cord to unplug. Instead, grasp the plug and pull to remove from the outlet.
- Do not turn the fabric shaver on if any parts are missing or uninstalled.
- Make sure to install all parts correctly, as shown in the diagram.
- Never use the fabric shaver on clothing while you are wearing them. Doing so may cause bodily injury and damage to clothing.
- Before use, check to ensure that the blade is not damaged. Do not use if any damage is detected.
- Close supervision is required when using this product near children.
- Do not leave the appliance unattended while in use.
- Do not leave the appliance unattended while charging.
- Do not store the appliance in a place that is accessible to children.
- This appliance is not intended for use by persons (including children) with reduced physical, sensory, or mental capabilities, or lack of experience or knowledge, unless they have been given supervision and instructions concerning proper use of this appliance by a responsible caregiver.

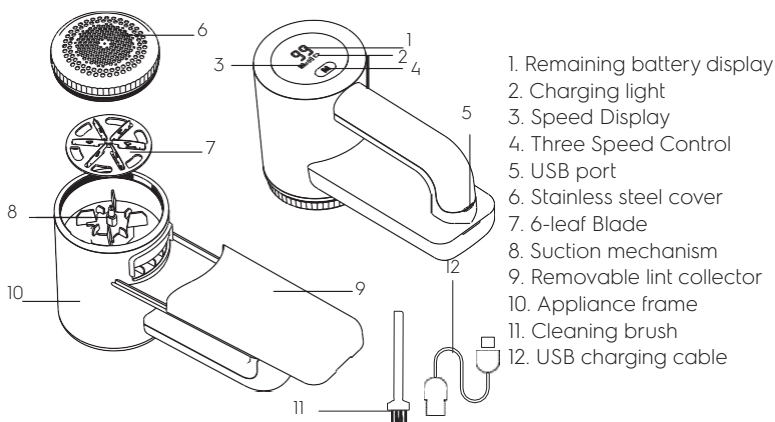
## Battery Safety Instructions and Usage:

- This appliance contains a polymer lithium ion 200mA rechargeable battery.
- For full battery power, charge for three hours. When fully charged, the appliance can

run for 45 minutes..

- Charging light shines red while charging and changes to green when fully charged.
- Ensure that the appliance, cables, and outlets are free of dust or moisture before charging. Failure to do may result in the risk of fire or electric shock.
- For frequent use, it is recommended to charge the appliance once a week. If used infrequently, charge at least once in six months.
- Do not place the appliance in direct sunlight or in very hot areas.
- Remove the charger immediately once appliance is fully charged.
- Keep batteries away from children and pets.
- Use caution when removing or replacing batteries.
- In the event of leakage, never touch battery fluid with bare hands. If accidental contact occurs, wash with clean water and immediately contact a healthcare professional.
- Remove battery before discarding the appliance.
- Do not charge the appliance in temperatures below 41 ° F or above 95 ° F.
- Do not charge the appliance in direct sunlight or near other heat sources
- Always turn the appliance OFF before removing the battery.
- Spent or expired batteries must be properly disposed of and recycled in compliance with local regulations. For more information, contact your local authority

## Product Components and Accessories:



## Usage Instructions:

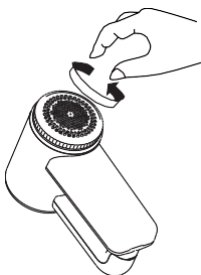
- Turn appliance ON.
- Place the garment on a stable, flat surface and pull straight.
- Tuck in or remove any exposed threads before using to prevent damage.
- Gently glide the shaving head over the fabric in an up and down motion.
- Do not press down heavily in order to prevent fabric damage.
- Empty the lint collector after each use.

## Useful Tips:

- Remove all labels and protective films prior to use.
- Avoid use on delicate or flimsy fabrics, decorations, or appliques.
- Test the appliance on an inconspicuous area to check fabric suitability.
- This appliance CANNOT be used on any down or alternative down-filled garment.
- The blades remain serviceable for approximately 50 hours of use, after which they may become dull and need to be replaced.

## Cleaning Instructions:

1. Twist the steel cover counter-clockwise.



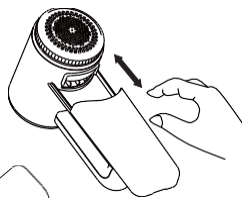
2. Detach the steel cover



3. Clean blades with brush..



4. Remove the lint collector.



5. Empty the lint into the trash.



**Please Note:** Clean the appliance using a damp cloth and a solution of water and gentle cleaning agent. Do not use harsh or corrosive chemicals such as gasoline. This may cause bodily injury and damage to the appliance. Make sure the appliance is turned OFF and unplugged when emptying the lint collector or cleaning.

## Troubleshooting:

If the Electrolux Fabric shaver is not working:

1. Make sure the steel cover is properly twisted on.
2. Make sure the appliance is fully charged.
3. Inspect the blades for foreign objects. Remove any you may find.
4. If your appliance is still not working, please contact customer service.

Replacing the 6-leaf blade:

1. Make sure the appliance is unplugged and turned OFF.
2. Open the steel cover and carefully remove the blade. Dispose of properly.
3. Replace with a new blade, ensuring that it is properly attached.

There is no indication when charging the appliance:

1. Inspect the USB for any damage.
2. Check if the charging light is ON.
3. If your appliance is still not working, please contact customer service.

## Warranty clause

The device supplied by our company is covered by a 12-month warranty starting from the date of purchase (on receipt). During the life of the warranty, any fault of the device or its accessories as a result of material or manufacturing defects will be rectified free of charge via repair or, at our discretion, replacement.

The warranty services neither entail an extension of the life of the warranty, nor do they give rise to a right for a new warranty. Proof of the warranty is provided by the proof of purchase. Without proof of purchase, no free replacement or repair will be made.

If you wish to make a claim under the warranty, please return the entire appliance in its original packaging to your dealer together with the receipt.

Damage to the accessories does not mean automatic, free replacement of the entire appliance. In such cases, please contact us.

Breakage of plastic parts are always subject to a charge. The warranty does not cover cases of unauthorized tampering.

## Product warranty card

Product Model		Date of purchase	
Customer Name		Contact address	
Contact Number		Distributor name	
<b>Maintenance records</b>			
Maintenance Date	Troubleshooting	Location of maintenance	Result of maintenance
Please keep the warranty card properly in order to enjoy after-sales service.			

## Product Specifications:

Model: LX-300R

Material: Stainless Steel, Acrylonitrile Butadiene Styrene Dimensions: (L × W × H) 7.67 × 5.31 × 3.34 inches

Handle Material: Alloy Steel

Rated Voltage: 3.7 V

Rated Output: 5W Rated Input: 5V-1A

# Quality + Sustainability

Your new Electrolux garment care supertool is designed with sustainability in mind.



## Concept

Our key design philosophy is to achieve top performance with the lowest energy demand.

Carefully calibrated power generates more steam with less electricity, which saves on runtime, yields smoother clothing in fewer passes, delivers a longer-lasting press, rejuvenates clothing to retain newness, and ultimately keeps energy and garments from waste.



## Components

You only get out what you put in, so we insist on parts made with more sustainable materials and processes.

In line with the SDGs created by the UN, we use innovative materials that help both performance and planet, such as post-consumer rubber cords, repurposed plastics, and recyclable ceramicized soleplates that offer even edge-to-edge heating.



## Package

This box is for keeps. Made of the finest recycled materials, it features an original, reusable design.

An exclusive, heat-resistant inner pad enables you to safely store your garment care tool even while it's hot. And the striking, inkless box turns into a valuable, décor-friendly storage container you will enjoy keeping in your home, and out of landfills.

Visit <https://www.electroluxgroup.com/en/> to learn more about our

**Shape living for the better** initiative



Questions comments?

Contact Smartekusa at [1-877-678-6232](tel:1-877-678-6232)

---

**12 Hinsdale Street**  
**Brooklyn NY 11207**

Electrolux is a registered trademark used under license from AB Electrolux (publ).

**A box worth keeping in the family**