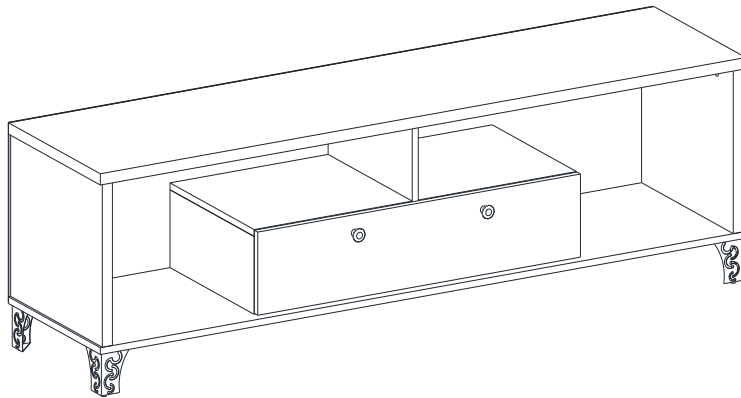






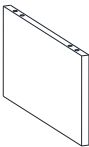
Assembly Instructions

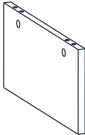



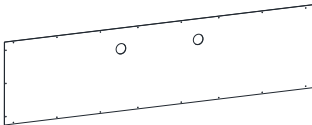
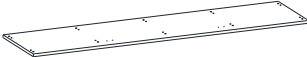


Caution : You must read this before you proceed

TV CABINET

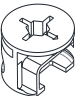



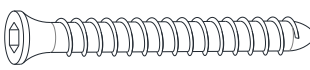






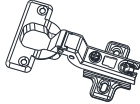
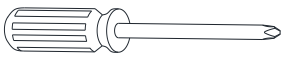
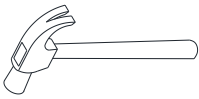
Parts List

Label	Picture	Description	QTY
A		Top Panel	1
B		Left Side Panel	1
C		Right Side Panel	1
D		Long Center Panel	1
E		Left Short Center Panel	1

F		Right Short Center Panel	1
G		Left Middle Panel	1
H		Right Middle Panel	1
I		Door Panel	1
J		Back Panel	1
K		Bottom Panel	1
L		Handle	2
M		Metal Leg	5

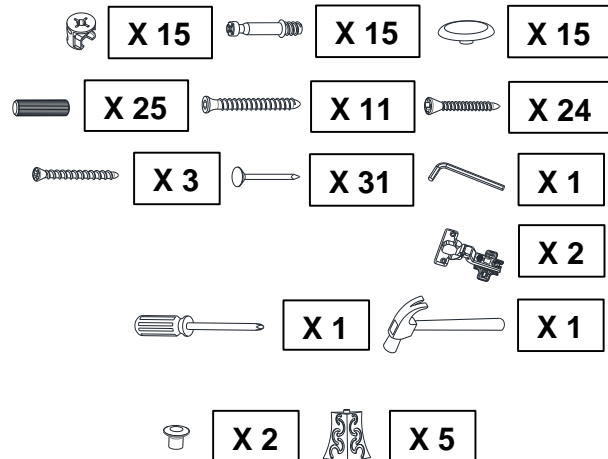
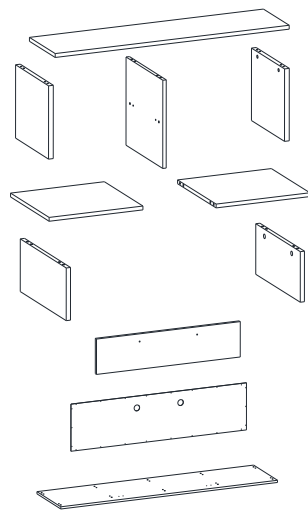
Hardware

Label	Picture	Description	QTY
①		Cam Lock	15
②		Cam Bolt	15
③		Cam Cap	15
④		Positioning Dowel (8*30mm)	25
⑤		Cap Wood Screw (6*50mm)	11

⑥		Screw (3.5*16mm)	24
⑦		Screw (4*32mm)	3
⑧		Nail	31
⑨		Allen Key	1
⑩		Connector	2
⑪		Screwdriver (not provided)	1
⑫		Hammer (not provided)	1

Assembly Preparation

Before
Beginning
Assembly:



- Read instructions, cover to cover-



- Have 2 adults on hand for assembly-



- Do not assemble on flooring or carpet-



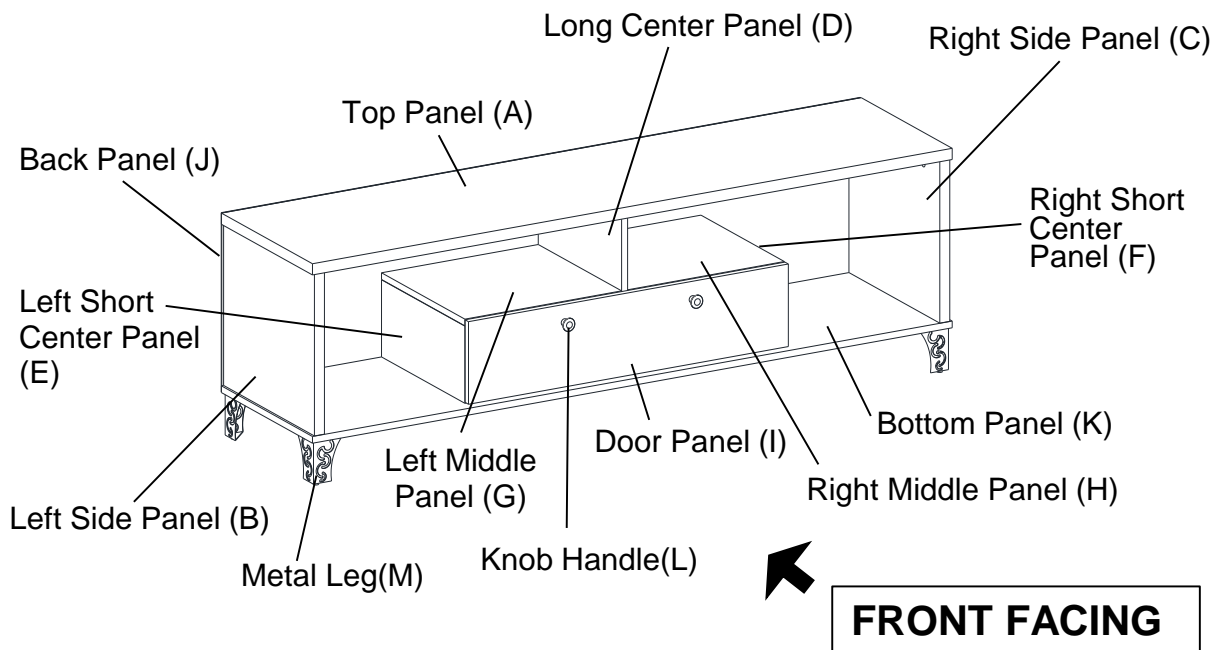
- Assemble on a clean non-marring surface (packing foam)-



- Save all packaging until finished-

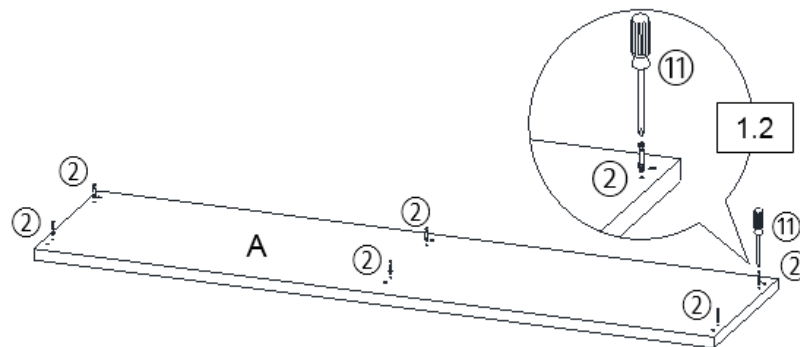
Assembly Steps

Overview



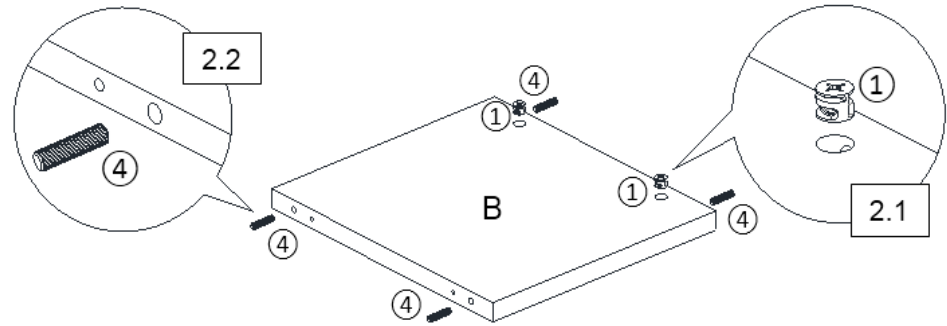
This TV Cabinet has multiple parts and may require up to 60 minutes to assemble. To give you an overview of the TV Cabinet parts, the above picture is to help you put the various parts into perspective. Please read through the instructions below to familiarise yourself with the parts and steps before assembly.

Step 1



- 1.1)** Unpack and place all parts on a clean, non-marring surface.
- 1.2)** Attach Cam Bolts(②) to mounting positions on Top Panel(A) with Screwdriver(⑪).

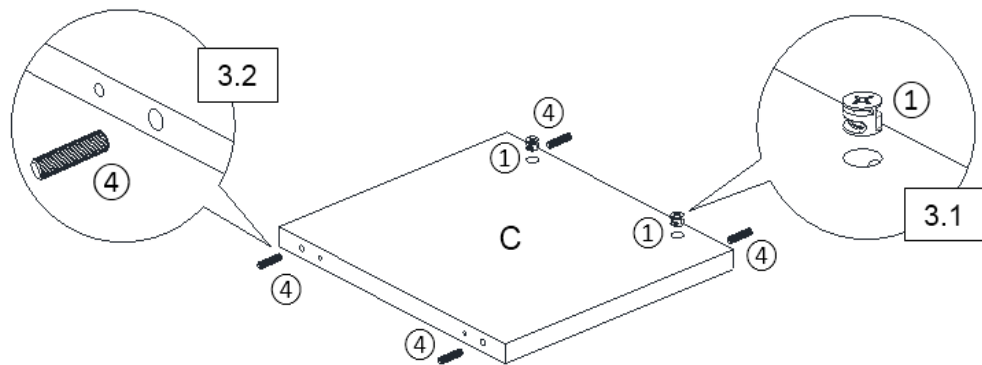
Step 2



2.1) Insert Cam Locks(①) into mounting positions on Left Side Panel(B) by hand.

2.2) Insert Positioning Dowels(④) into mounting positions on Left Side Panel(B) by hand.

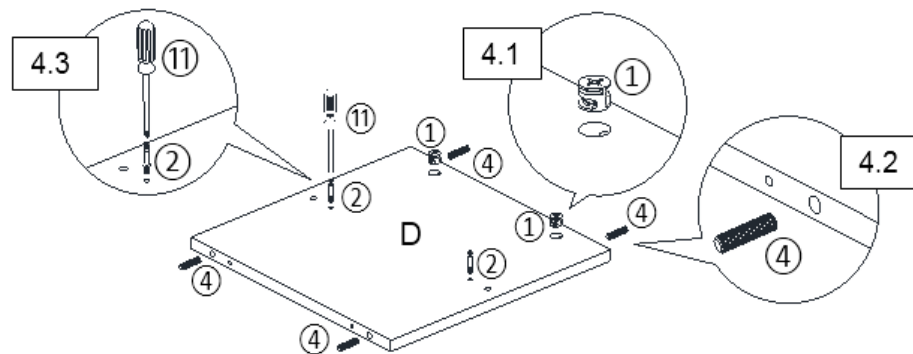
Step 3



3.1) Insert Cam Locks(①) into mounting positions on Right Side Panel(C) by hand.

3.2) Insert Positioning Dowels(④) into mounting positions on Right Side Panel(C) by hand.

Step 4

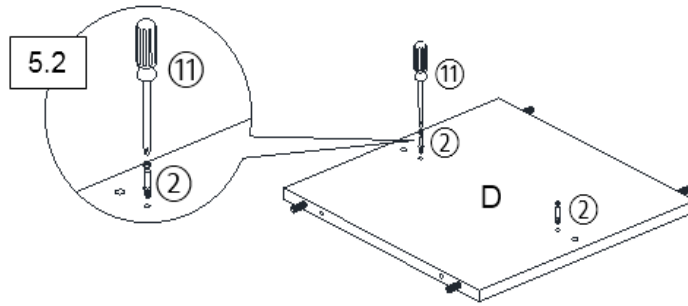


4.1) Insert Cam Locks(①) into mounting positions on Long Center Panel(D) by hand.

4.2) Insert Positioning Dowels(④) into mounting positions on Long Center Panel(D) by hand.

4.3) Attach Cam Bolts(②) to mounting positions on Long Center Panel(D) with Screwdriver(⑪).

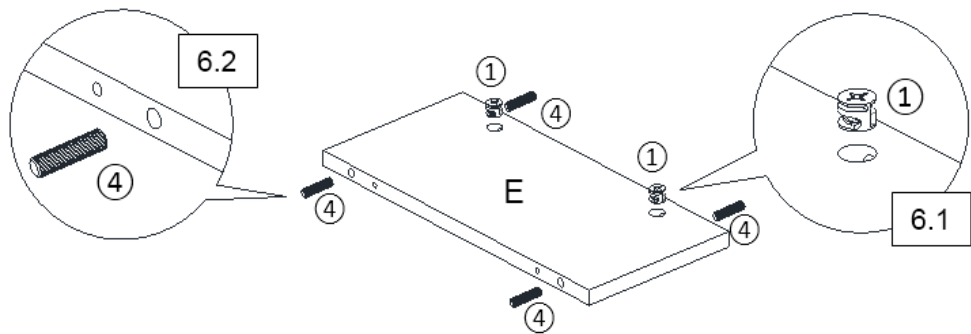
Step 5



5.1) Flip Long Center Panel(D) to the opposite face.

5.2) Attach Cam Bolts(②) to mounting positions on Long Center Panel(D) with Screwdriver(⑪).

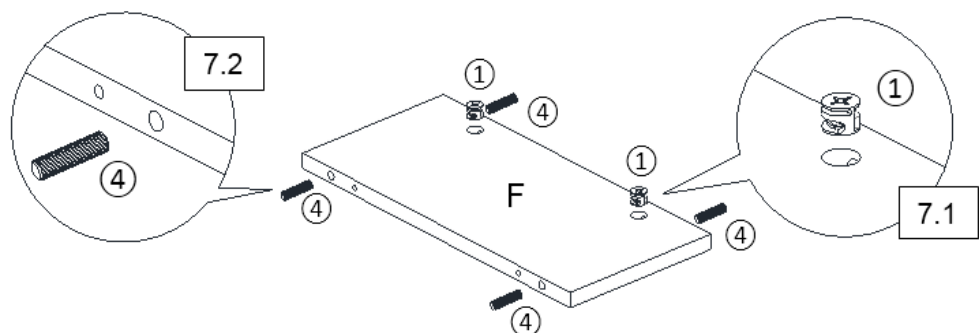
Step 6



6.1) Insert Cam Locks(①) into mounting positions on Left Short Center Panel(E) by hand.

6.2) Insert Positioning Dowels(④) into mounting positions on Left Short Center Panel(E) by hand.

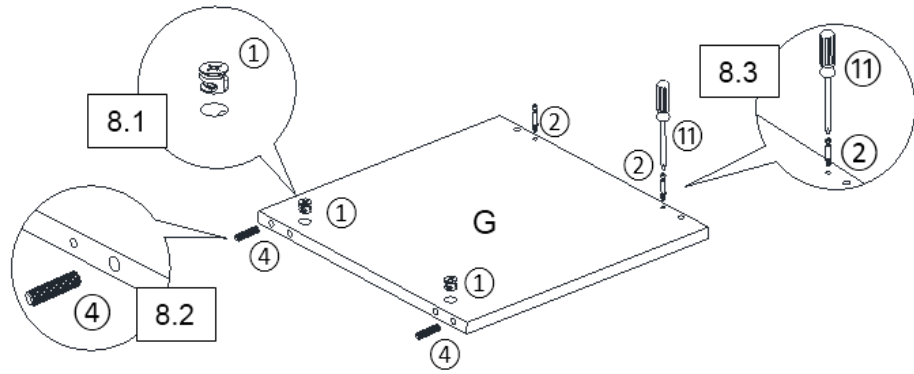
Step 7



7.1) Insert Cam Locks(①) into mounting positions on Right Short Center Panel(F) by hand.

7.2) Insert Positioning Dowels(④) into mounting positions on Right Short Center Panel(F) by hand.

Step 8

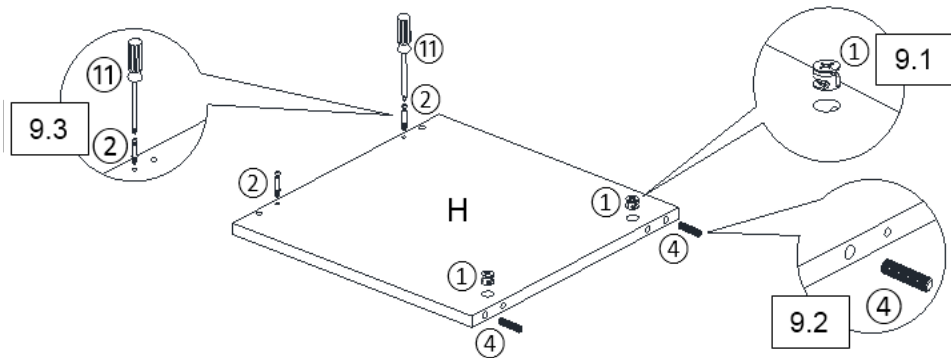


8.1) Insert Cam Locks(①) into mounting positions on Left Middle Panel(G) by hand.

8.2) Insert Positioning Dowels(④) into mounting positions on Left Middle Panel(G) by hand.

8.3) Attach Cam Bolts(②) to mounting positions on Left Middle Panel(G) with Screwdriver(⑪).

Step 9

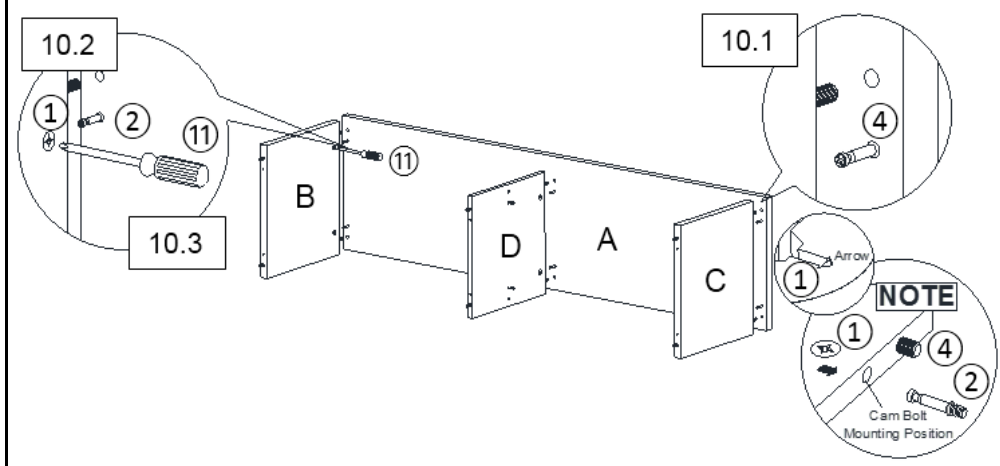


9.1) Insert Cam Locks(①) into mounting positions on Right Middle Panel(H) by hand.

9.2) Insert Positioning Dowels(④) into mounting positions on Right Middle Panel(H) by hand.

9.3) Attach Cam Bolts(②) to mounting positions on Right Middle Panel(H) with Screwdriver(⑪).

Step 10



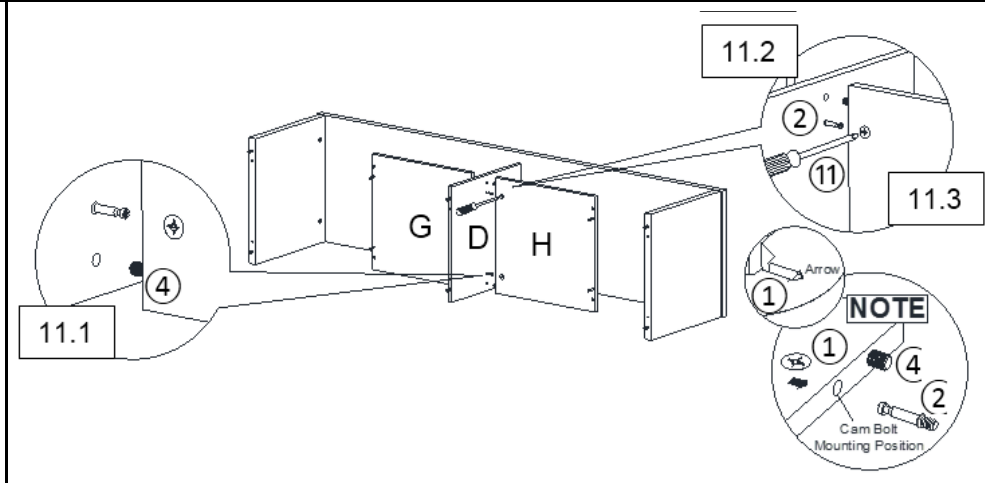
10.1) Insert Positioning Dowels(④) from Left Side Panel(B), Right Side Panel(C) and Long Center Panel(D) into mounting positions on Top Panel(A).

Note: Ensure the arrows on Cam Locks head points towards the Cam Bolt mounting positions.

10.2) Insert the mounting positions on sides of Left Side Panel(B), Right Side Panel(C) and Long Center Panel(D) onto Cam Bolts(②) on Top Panel(A).

10.3) Turn the Cam Locks(①) clockwise with the Screwdriver(⑪) until they all lock into place.

Step 11



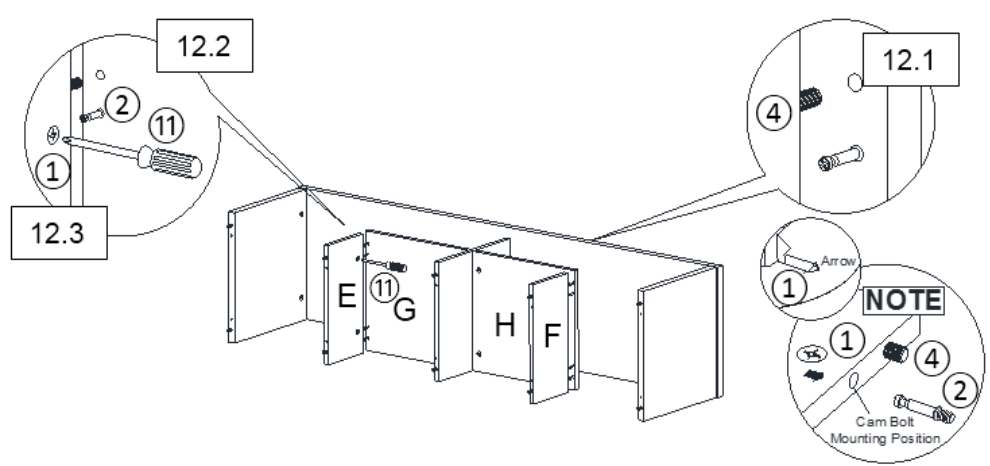
11.1) Insert Positioning Dowels(④) from Left Middle Panel(G) and Right Middle Panel(H) into mounting positions on Long Center Panel(D).

Note: Ensure the arrows on Cam Locks head points towards the Cam Bolt mounting positions.

11.2) Insert the mounting positions on sides of Left Middle Panel(G) and Right Middle Panel(H) onto Cam Bolts(②) on Long Center Panel(D).

11.3) Turn the Cam Locks(①) clockwise with the Screwdriver(⑪) until they all lock into place.

Step 12



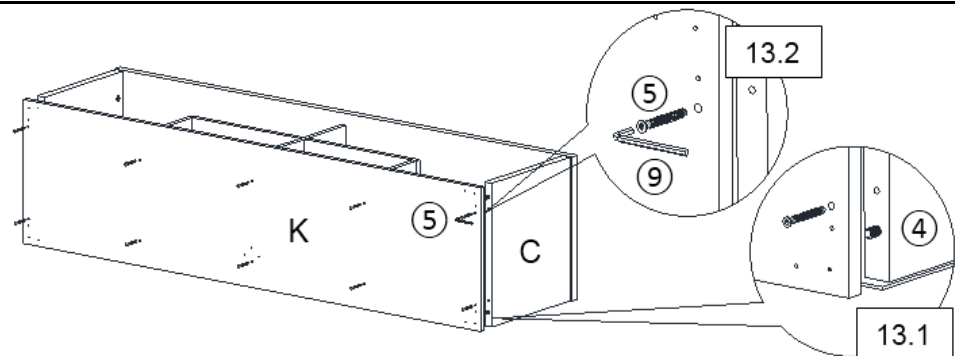
12.1) Insert Positioning Dowels(④) from Left Short Center Panel(E) and Right Short Center Panel(F) into mounting positions on Left Middle Panel(G) and Right Middle Panel(H).

Note: Ensure the arrows on Cam Locks head points towards the Cam Bolt mounting positions.

12.2) Insert the mounting positions on sides of Left Short Center Panel(E) and Right Short Center Panel(F) onto Cam Bolts(②) on Left Middle Panel(G) and Right Middle Panel(H).

12.3) Turn the Cam Locks(①) clockwise with the Screwdriver(⑪) until they all lock into place.

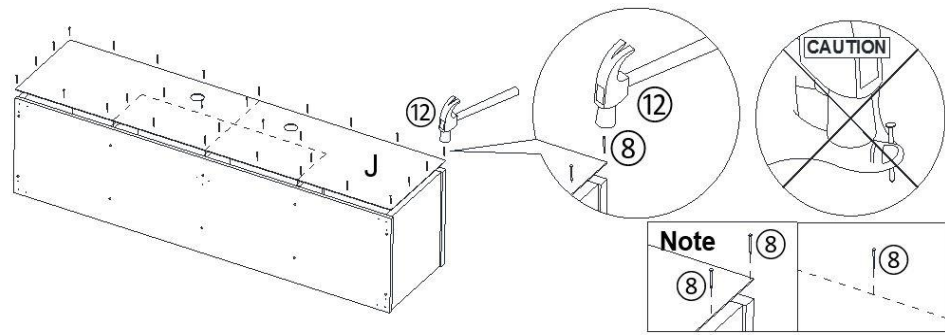
Step 13



13.1) Insert Positioning Dowels(④) from Left Side Panel(B), Right Side Panel(C), Long Center Panel(D), Left Short Center Panel(E) and Right Short Center Panel(F) into mounting positions on Bottom Panel(K).

13.2) Attach Bottom Panel(K) to Cabinet Assembly using Cap Wood Screws(⑤) with Allen Key(⑨).

Step 14

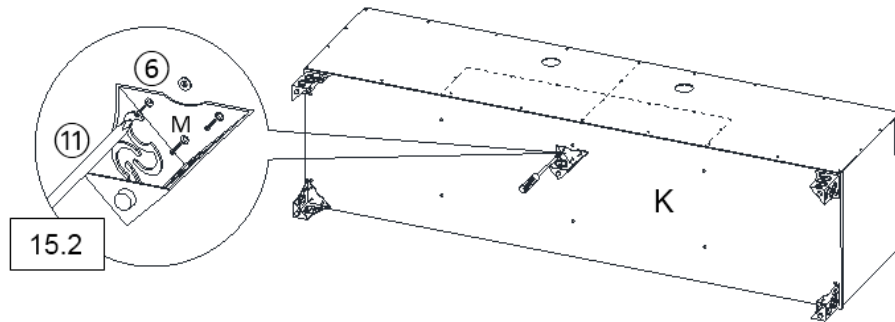


Position the Cabinet with the Back Panel(J) facing skywards. Attach Back Panel(J) to Cabinet Assembly using Nails(⑧) with Hammer(⑫).

Caution: Please be extra careful when using a hammer to avoid injury.

Note: Hit Nails along all four edges (slightly inwards from sides) on the lines drawn on the Back Panel(J).

Step 15

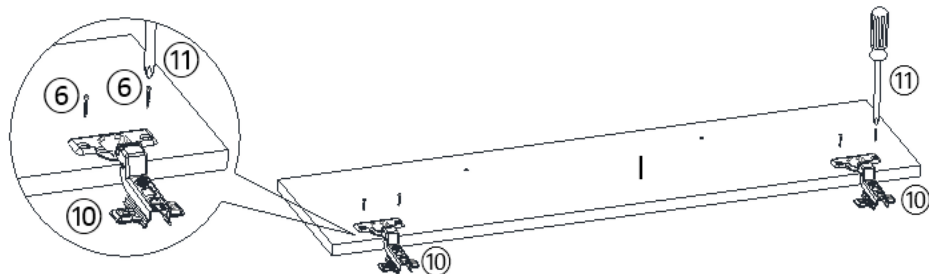


Attach Metal Leg(M) to Bottom Panel(K) using Screws(⑥) with Screwdriver(⑪).

Tighten the Screws fully in a sequential manner.

Note: Use the pre-existing mounting positions on Bottom Panel(K) to attach Metal Legs(M).

Step 16

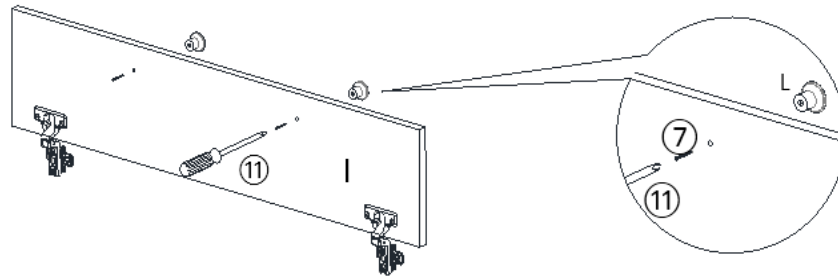


Attach Connectors(⑩) to Door Panel(I) with Screws(⑥) using Screwdriver(⑪).

Tighten the Screws fully in a sequential manner.

Note: There are pre-existing mounting positions on Door Panel(I) to attach the Connectors.

Step 17

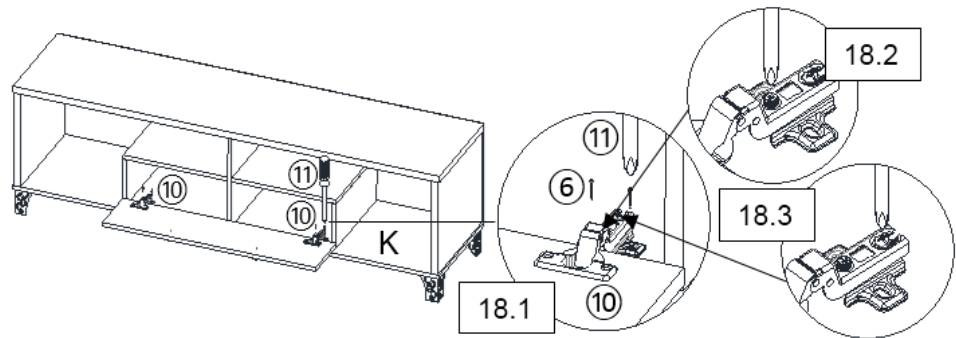


Attach Handles(L) to Door Panel(I) with Screws(7) using Screwdriver(11).

Tighten the Screws fully in a sequential manner.

Note: There are pre-existing mounting positions on the Door Panel(I) to attach the Handles.

Step 18



18.1) Attach Connectors(10) to Bottom Panel(K) with Screws(6) using Screwdriver(11).

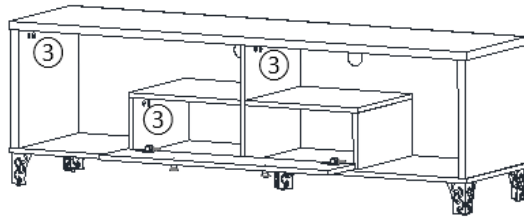
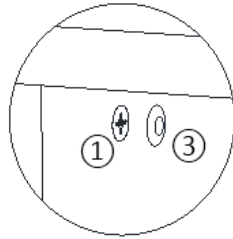
Tighten the Screws fully in a sequential manner.

18.2) Rotate first screw on Connectors(10) to adjust up-down position of Door Panel(I) when necessary.

18.3) Rotate second screw on Connectors(10) to adjust in-out position of Door Panel(I) when necessary.

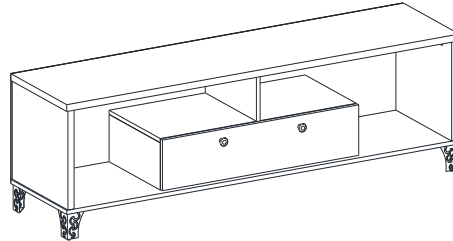
Note: There are pre-existing mounting positions on the Bottom Panel(K) to attach the Connectors.

Step 19



Attach Cam Caps(③) to all Cam Locks(①) by hand.



















Step 20



Your TV Cabinet is ready for use.

This TV Cabinet can only be used on a flat, level surface.

Care & Maintenance

-   ● Do not put hot items directly on furniture surface
 -   ● Do not clean furniture with harsh cleansers or polish.
 -   ● To obtain the longest lifespan of your outdoor products, minimizing exposure to direct sunlight is recommended.
 -   ● Children should not climb or jump on the furniture.
 -   ● Do not write on furniture without a padded barrier to protect the surface.
 -   ● To obtain the longest lifespan of your outdoor products, avoid extended and lengthy exposure to rain, snow, and direct sunshine. Whenever possible cover the product and /or place under patio or awnings.
 -   ● Not for commercial use. For residential use only .
 -   ● Stains may be removed with mild soap solution and damp cloth.
-
-   ● Dust and pick-up spills using a clean, non-colored, lint-free cloth .

Questions & Answers about Proposition 65

• What is Proposition 65?

Proposition 65 requires businesses to provide warnings to Californians about significant exposures to chemicals that cause cancer, birth defects or other reproductive harm. These chemicals can be in the products that Californians purchase, in their homes or workplaces, or that are released into the environment. By requiring that this information be provided, Proposition 65 enables Californians to make informed decisions about their exposures to these chemicals.

Proposition 65 also prohibits California businesses from knowingly discharging significant amounts of listed chemicals into sources of drinking water.

Proposition 65 requires California to publish a list of chemicals known to cause cancer, birth defects or other reproductive harm. This list, which must be updated at least once a year, has grown to include approximately 900 chemicals since it was first published in 1987.

• What types of chemicals are on the Proposition 65 list?

The list contains a wide range of naturally occurring and synthetic chemicals that include additives or ingredients in pesticides, common household products, food, drugs, dyes, or solvents. Listed chemicals may also be used in manufacturing and construction, or they may be byproducts of chemical processes, such as motor vehicle exhaust.

• What does a warning mean?

If a warning is placed on a product label or posted or distributed at a workplace, a business, or in rental housing, the business issuing the warning is aware or believes that it is exposing individuals to one or more listed chemicals.

By law, a warning must be given for listed chemicals unless the exposure is low enough to pose no significant risk of cancer or is significantly below levels observed to cause birth defects or other reproductive harm.

• Where can I get more information on Proposition 65?

If you have specific questions on the administration or implementation of Proposition 65, you can contact OEHHA's Proposition 65 program at P65.Questions@oehha.ca.gov, or by phone at (916) 445-6900.