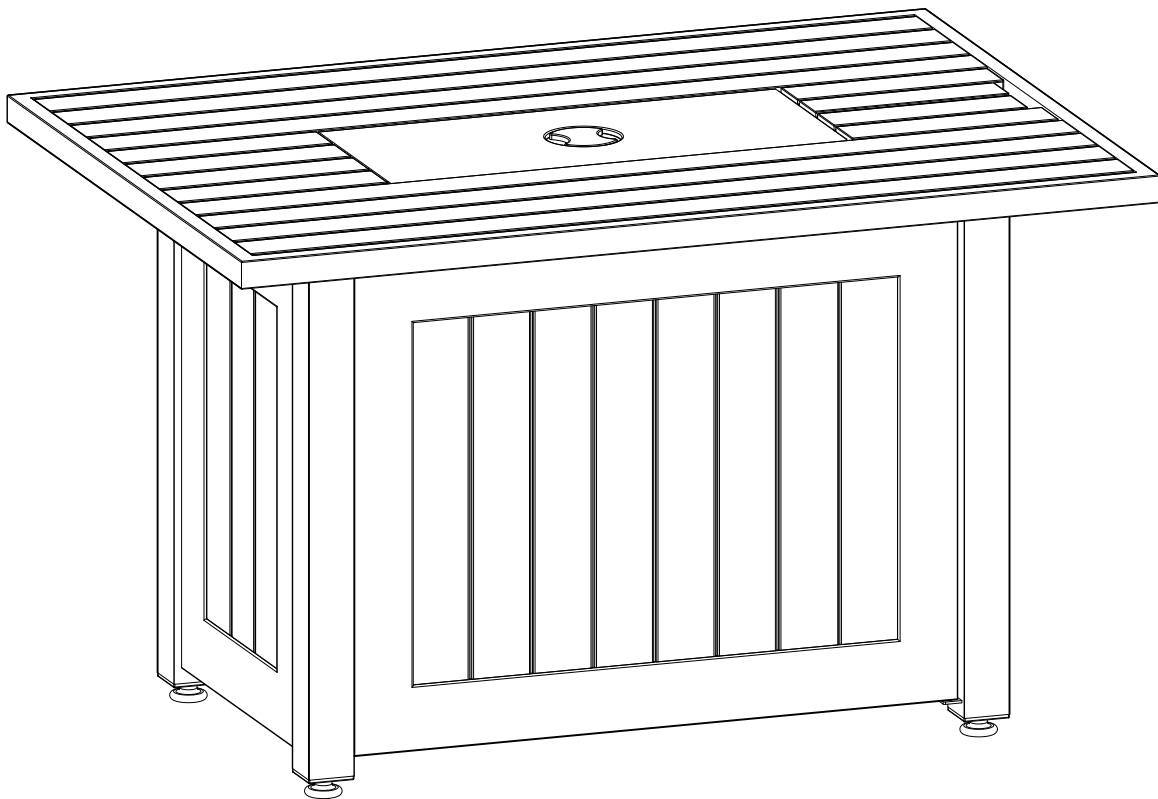


HAMPTON BAY®

Item #1015441342
Model #GAD17117HD

USE AND CARE GUIDE

**40 IN X 28 IN HAMPTON BAY
GAS RECTANGULAR FIRE PIT
ROSEWOOD**



Questions, problems, missing parts?
Before returning to the store, call Hampton Bay Customer Service
8 a.m. - 7 p.m., EST, Monday - Friday, 9 a.m. - 6 p.m., EST, Saturday

**1-855-HD-HAMPTON
HAMPTONBAY.COM**

THANK YOU


We appreciate the trust and confidence you have placed in Hampton Bay through the purchase of this outdoor fire pit. We strive to continually create quality products designed to enhance your home. Visit us online to see our full line of products available for your home improvement needs. Thank you for choosing Hampton Bay!

Table of Contents

Safety Information	2	Operation Instructions	11
Specifications	4	Care and Cleaning	13
Pre-Assembly	5	Maintenance	14
Planning Assembly	5	Troubleshooting	15
Tools Required	5	Service Parts	18
Hardware Included	5	Limited Warranty	19
Package Contents	6		
Assembly	7		



Safety Information


**PLEASE READ AND UNDERSTAND THIS ENTIRE MANUAL BEFORE ATTEMPTING TO ASSEMBLE, OPERATE OR INSTALL THE PRODUCT.
KEEP THESE INSTRUCTIONS FOR FUTURE REFERENCE.**

 **DANGER: FIRE OR EXPLOSION HAZARD.**
If you smell gas:


- Shut off gas to appliance.
- Extinguish any open flame.
- If odor continues, leave the area immediately.
- After leaving the area, call your gas supplier or fire department.


Failure to follow these instructions could result in fire or explosion, which could cause property damage, personal injury, or death.

 **DANGER: CARBON MONOXIDE HAZARD!**
 This appliance can produce carbon monoxide which has no odor. Using it in an enclosed space can kill you! Never use this appliance in an enclosed space such as a camper, tent, car or home.


 **DANGER:** Flammable gas under pressure. Leaking gas may cause a fire or explosion if ignited causing serious bodily injury or death. Contact propane gas supplier for repairs, or disposal of this cylinder or unused propane gas.


 **DANGER:** Do not store a spare propane gas cylinder under or near a fire pit, or other heat sources.

 **DANGER:** NEVER fill a propane gas cylinder beyond 80% full: a fire causing death or serious injury may occur.


 **DANGER:** Do not check for gas leaks with a match or open flame. Apply soapy water for checking gas leaks before lighting appliance.


 **DANGER:** Do NOT leave this appliance unattended while it is in operation.

 **WARNING:** Do not store or use gasoline, or other flammable vapors and liquids, in the vicinity of this or any other appliance.
An LP-cylinder not connected for use shall not be stored in the vicinity of this or any other appliance.

 **WARNING:** For Outdoor Use Only.
Installation and service must be performed by a qualified installer, service agency or gas supplier.

INSTALLER: Leave this manual with the appliance. or any other appliance.
CONSUMER: Retain this manual for future reference.

 **WARNING:** If the information in this manual is not followed exactly, a fire or explosion may result causing property damage, personal injury or loss of life.

 **PROPOSITION 65 WARNING: FUELS USED IN LIQUEFIED PROPANE GAS APPLIANCES, AND THE PRODUCTS OF COMBUSTION OF SUCH FUELS, CAN EXPOSE YOU TO CHEMICALS INCLUDING BENZENE, WHICH IS KNOWN TO THE STATE OF CALIFORNIA TO CAUSE CANCER AND CAUSE BIRTH DEFECTS OR OTHER REPRODUCTIVE HARM. For more information go to: www.P65Warnings.ca.gov.**

ADVERTENCIA: LOS COMBUSTIBLES USADOS EN EQUIPOS PARA LICUAR GAS PROPANO, ASI COMO LOS PRODUCTOS DE SU COMBUSTIÓN, PUEDEN EXPONERTE A SUSTANCIAS QUIMICAS, ENTRE ELLAS EL BENCENO, QUE EL ESTADO DE CALIFORNIA RECONOCE COMO CAUSA DE CANCER Y DE MALFORMACIONES CONGENITAS Y OTROS DAÑOS AL SISTEMA REPRODUCTOR. Para más información, visite www.P65Warnings.ca.gov.

Safety Information (continued)



WARNING: INSTALLER: Leave this manual with the fire pit. Read the installation, operation and maintenance instructions thoroughly before installing or servicing this equipment.



WARNING: Do NOT wear flammable or loose clothing when operating this outdoor fire pit.



WARNING: DO NOT allow children or pets near fire pit without supervision.



WARNING: Apartment dwellers: Check with management to learn the requirements and fire codes for using a liquid propane gas outdoor fire pit in your apartment complex. If allowed, use outside on the ground floor with a 24 inch (61 cm) all sides and 59 inch (150 cm) above clearance from any structure. Do NOT use on or under balconies.



WARNING: Improper installation, adjustment, alteration, service or maintenance can cause injury or property damage. Installation and service must be performed by a qualified installer, service agency or gas supplier.



WARNING: FOR YOUR SAFETY: Surfaces of fire pit can remain extremely hot for a period after use. Allow 45 minutes to cool down before touching or moving the fire pit.



WARNING: Do NOT leave a lit outdoor fire pit unattended, especially around children and pets. Children and adults should be alerted to the hazards of high surface temperatures and should stay away to avoid burns or clothing ignition.



WARNING: This outdoor fire pit should be thoroughly cleaned and inspected on a regular basis. Clean and inspect the hose before each use of the appliance. If there is evidence of abrasion, wear, cuts, or leaks, the hose must be replaced prior to the appliance being operated.



WARNING: This outdoor fire pit should be inspected at least annually by a qualified service person. Depending on amount of use, more frequent cleaning may be required. Do NOT operate until all parts have been repaired or replaced.



WARNING: This outdoor fire pit, from the factory, is for use with propane gas only. The conversion to or attempted use of natural gas in this outdoor fire pit is dangerous, may cause bodily harm and will void your warranty.



WARNING: This outdoor fire pit is safety certified for use in the United States only. Do NOT modify for use in any other location. Modification will result in a safety hazard and will void your warranty.



WARNING: Do NOT use in windy conditions.



WARNING: Do not use this unit under or on combustion structures or surfaces such as wooden decks, dry leaves or grass, vinyl or wood siding, etc.



WARNING: Do not use or store cylinder in a building, garage or enclosed area.



WARNING: DO NOT USE THE FIRE PIT TO COOK FOOD! The fire pit is not designed for grilling food.



WARNING: The opening of the tank collar should face toward the door side for easy access.



WARNING: Do NOT store any combustible materials in the base enclosure.



WARNING: Do NOT force parts together as this can result in personal injury or damage to the product.



WARNING: For residential use only. This fire pit is NOT for commercial use.



WARNING: Keep all electrical cords away from this outdoor fire pit during use.



CAUTION: Storage of this outdoor fire pit indoors is permissible only if the tank is disconnected, removed from the outdoor fire pit and properly stored outdoors.



CAUTION: Do NOT sit or stand on the mantle or any part of this appliance.



CAUTION: If the outdoor fire pit is not in use, the gas must be turned off at the supply tank.



CAUTION: The gas pressure regulator provided with this appliance must be used. This regulator is set for an outlet pressure of 11 inches water column.



CAUTION: Before pressure testing, close gas tank valve and disconnect gas regulator. The gas supply piping system must test at pressures equal to or less than 1/2 psi (3.5 kPa).



CAUTION: Lava rock/fire glass are very hot. Keep children or pets at a safe distance from this appliance.

Safety Information (continued)



CAUTION: Do NOT attempt to disconnect the gas regulator from the tank or any gas fitting while the outdoor fire pit is in use.



CAUTION: Use only the factory-authorized parts. The use of any part that is not factory-authorized can be dangerous and will void your warranty.



CAUTION: Adequate fire extinguishing material should be readily available.



CAUTION: The propane gas tank must have a collar to protect tank valve.



CAUTION: Never use a propane gas tank with a damaged body, valve, collar or footing.



CAUTION: Dented or rusted propane gas tanks may be hazardous and should be checked by your propane gas supplier prior to use.



CAUTION: The propane gas tank should not be dropped or handled roughly.



CAUTION: Do NOT insert any tool or foreign object into the valve outlet or safety relief valve. You may damage the valve and cause a leak. Leaking propane may result in explosion, fire, severe personal injury or death.



CAUTION: Never keep an propane gas tank in a hot car or trunk. Heat will cause the gas pressure to increase, which may open the relief valve and allow gas to escape.



CAUTION: Do NOT throw anything onto the fire when the unit is in operation.



CAUTION: Tanks must be stored outdoors, out of the reach of children and must not be stored in a building, garage or any other enclosed area. Your propane gas tank must never be stored where temperatures can reach over 125°F.



CAUTION: Do NOT move or store this outdoor fire pit until the fire is COMPLETELY out and the fire pit has cooled.



CAUTION: A fire causing serious injury or damage to property may occur if the above is not followed exactly.

CAUTION: Propane gas characteristics:

- Propane gas is flammable and hazardous if handled improperly. Become aware of the characteristics before using any propane gas product.
- Propane gas is explosive under pressure, heavier than air, and settles/pools in low areas.
- Propane gas in its natural state has no odor. For your safety, an odorant is added that smells like rotten cabbage. Contact with propane gas can cause freeze burns to skin.
- Propane gas tank needed to operate. Only tanks marked "propane" may be used.
- The propane gas cylinder must be constructed and marked in accordance with the U.S. Department of Transportation (D.O.T.) Specifications for Propane Gas Cylinders, or the Standard for Cylinders, Spheres and Tubes for the Transportation of Dangerous Goods and Commission, CAN/ CSA-B339 as applicable.
- Propane gas tank must be arranged for vapor withdrawal.
- The propane gas tank must have a listed overfilling prevention device (OPD) and a QCCI or Type I (CGA810) propane gas tank connection.
- Failure to follow these instructions could result in fire or explosion, which could cause property damage, personal injury, or death.



Specifications

Type of gas	INPUT	Propane Regulator Pressure	Clearances to combustable surfaces
Propane	40,000 Btu/hr (11.72 kW)	11 inches water column (2.74 kPa)	Sides: 24 in. / 61 cm
			Top: 59 in. / 150 cm

The maximum gas supply pressure	The minimum gas supply pressure
250 psi	25 psi

Pre-Assembly

PLANNING ASSEMBLY



NOTE: Please read and understand the entire manual before you assemble, operate or install the fire pit. To avoid damaging this product, assemble it on a soft, non-abrasive surface such as carpet or cardboard.



NOTE: More than one person may be required to assemble this product.

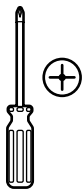
Carefully remove all pieces from the carton and make sure that you have all parts (refer the hardware and package contents list). If you are missing parts, please contact 1-855-HD-HAMPTON for further assistance.

Estimated Installation Time: 30 minutes.



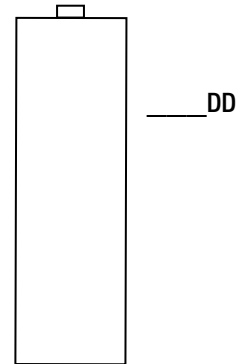
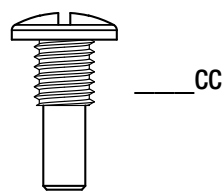
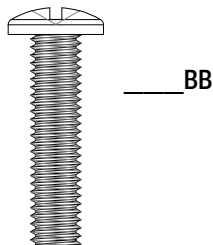
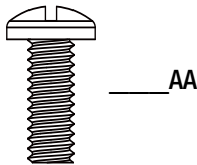
NOTE: Hardware not shown to actual size.

TOOLS REQUIRED



Phillips screwdriver
(Not Included)

HARDWARE INCLUDED

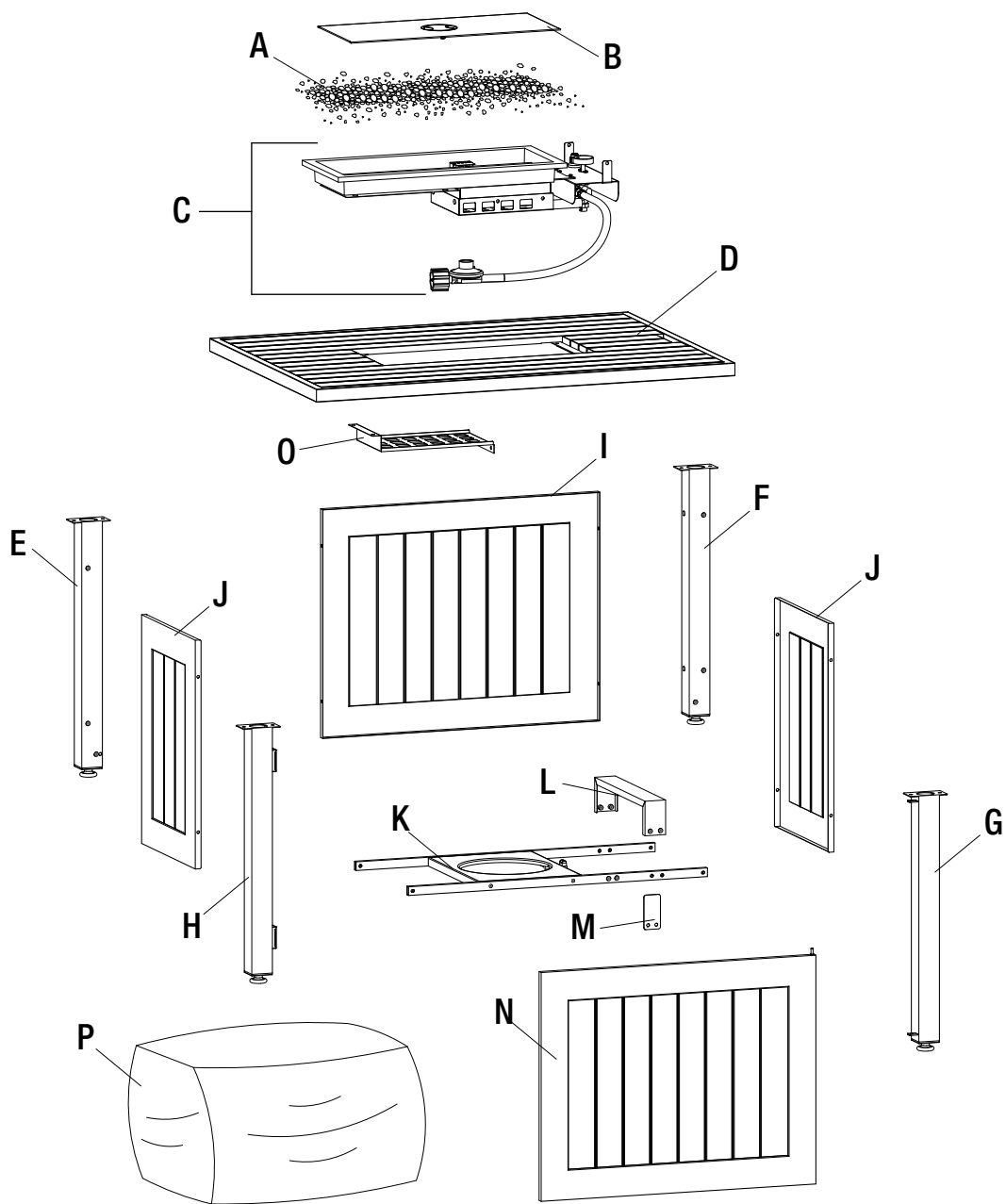


Part	Description	Quantity
AA	M5 X 12 mm Screw	26
BB	M5 X 20 mm Screw	8

Part	Description	Quantity
CC	M6 X 15 mm Step-head Screw	1
DD	AA Battery	1

Pre-Assembly (continued)

PACKAGE CONTENTS



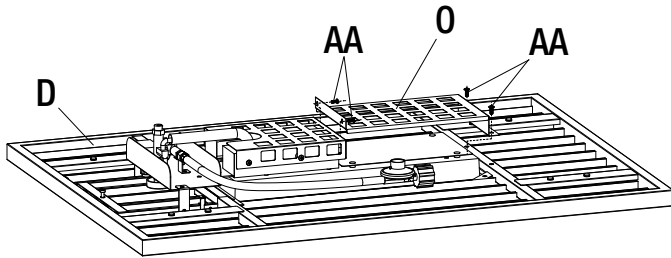
Part	Description	Quantity
A	Lava rock	1
B	Table insert	1
C	Fire bowl assembly*	1
D	Mantel	1
E	Leg E	1
F	Leg F	1
G	Leg G	1
H	Leg H	1

Part	Description	Quantity
I	Rear panel	1
J	Side panel	2
K	Gas tank support	1
L	Gas tank prevent bar	1
M	Tab for table insert	1
N	Door	1
O	Shield plate	1
P	Cover	1

Assembly

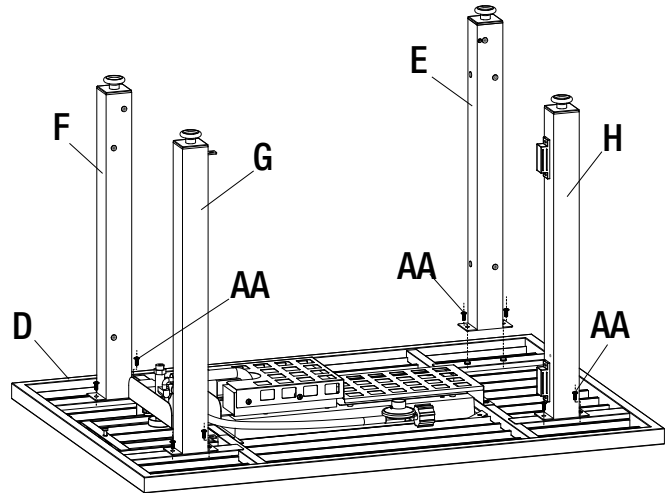
1 Assembling the shield plate

- Attach the shield plate (O) to the mantel (D) using M5x12 mm screws (AA).



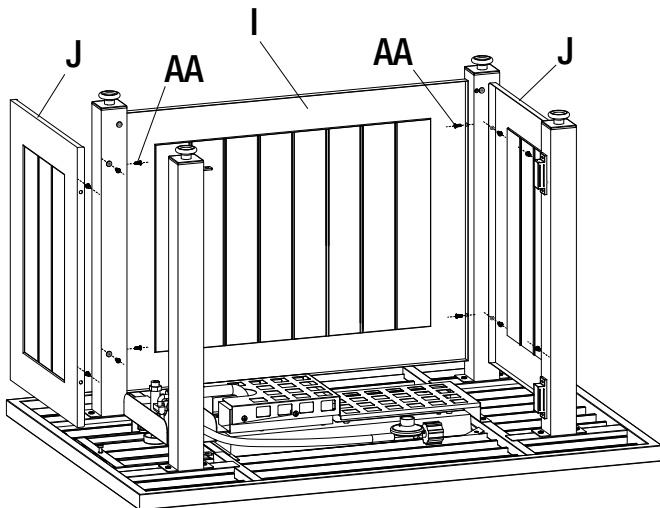
2 Assembling the legs

- Attach the four legs (E/F/G/H) to the mantel (D) using M5x12 mm screws (AA).
- Hand-tighten only; Do not fully tighten all screws until step 6 has been completed.



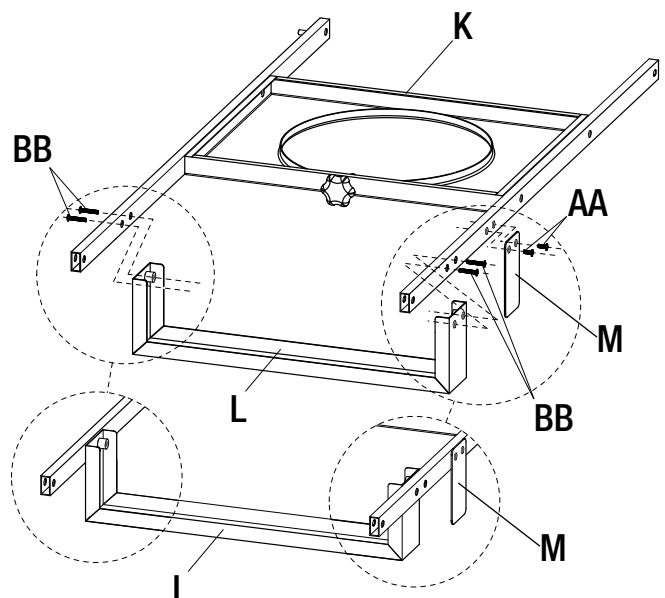
3 Assembling the side and rear panels

- Attach the side panels (J) and the rear panel (I) to the legs using M5x12 mm screws (AA).



4 Assembling the tank prevent bar and the tab

- Attach the gas tank prevent bar (L) to the gas tank support (K) using M5x20 mm screws (BB).
- Attach the tab (M) to the gas tank support (K) using M5x12 mm screws (AA).



Assembly (continued)

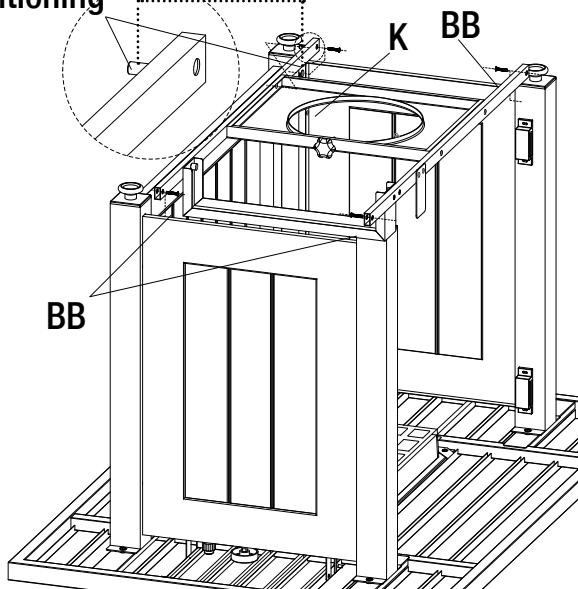
5 Assembling the gas tank support

- Attach the gas tank support using M5 x 20 mm screws (BB).



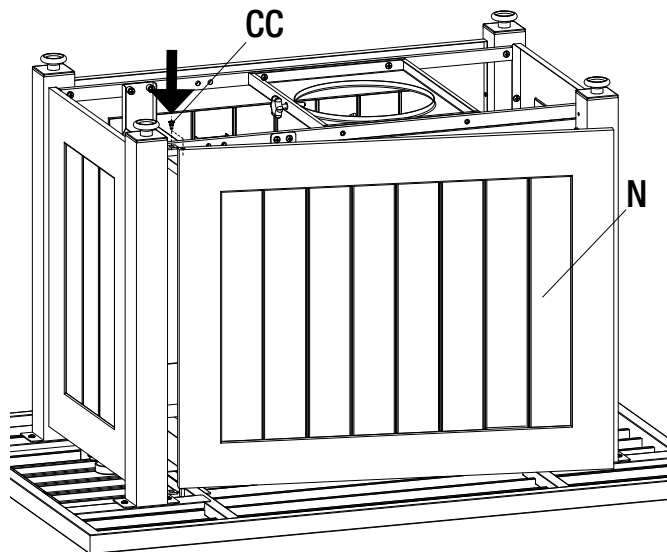
NOTE: Insert the positioning pin into the hole before assembly.

Positioning
pin



6 Assembling the door and then turning fire pit upright

- Attach the door (N) using M6 x 15 mm step-head screw (CC).



7 Inserting battery



CAUTION: Non-rechargeable batteries are not to be recharged. Ensure the batteries are installed correctly with regard to polarity (+ and -).



CAUTION: Exhausted batteries are to be removed from the product. Do NOT DISPOSE OF BATTERIES.



NOTE: Clean the battery contacts and also those of the device prior to battery installation.

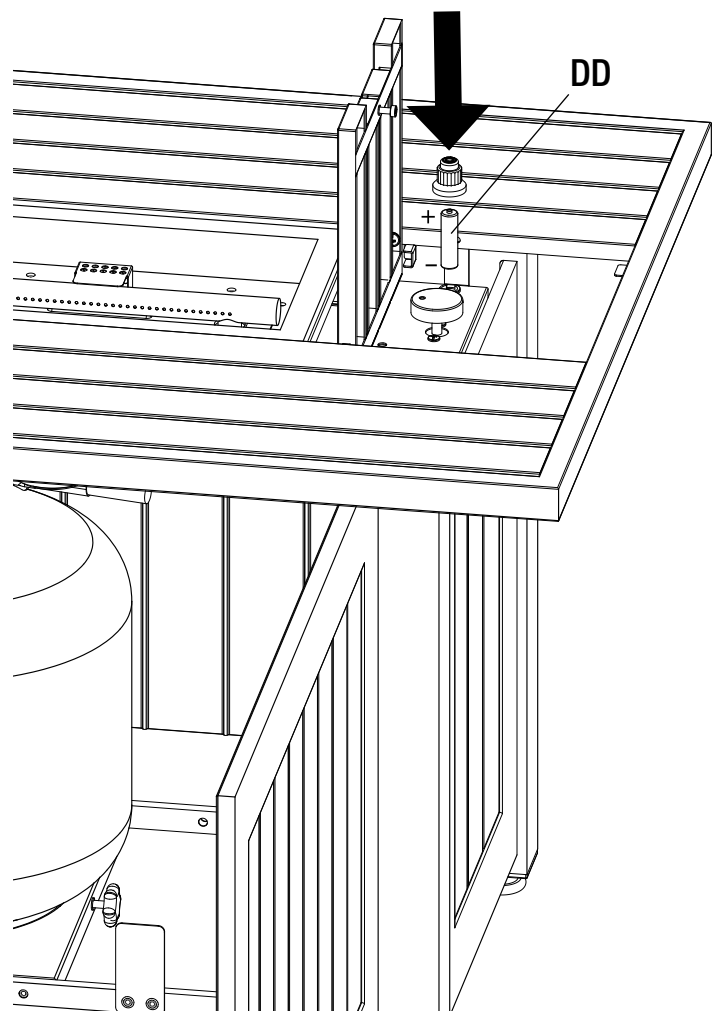


NOTE: Remove batteries from equipment that is not to be used for an extended period of time.



NOTE: Do not use Carbon-Zinc battery.

- Open the control panel door and insert an AA battery (DD).



Assembly (continued)

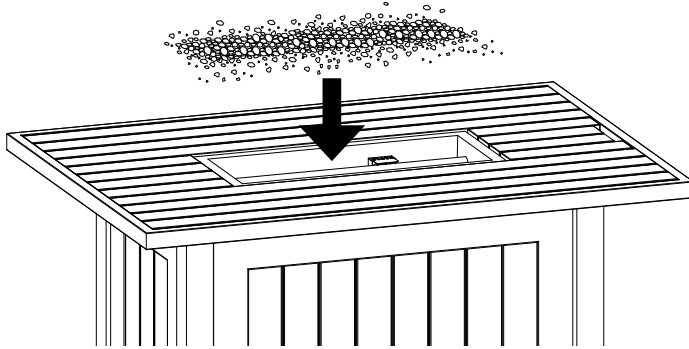
8 Placing lava rocks - Wear protective gloves



CAUTION: Do NOT dump lava rocks out of package. Carefully place lava rocks by hand so dust does not clog burner. Do NOT cover the ignition guard.

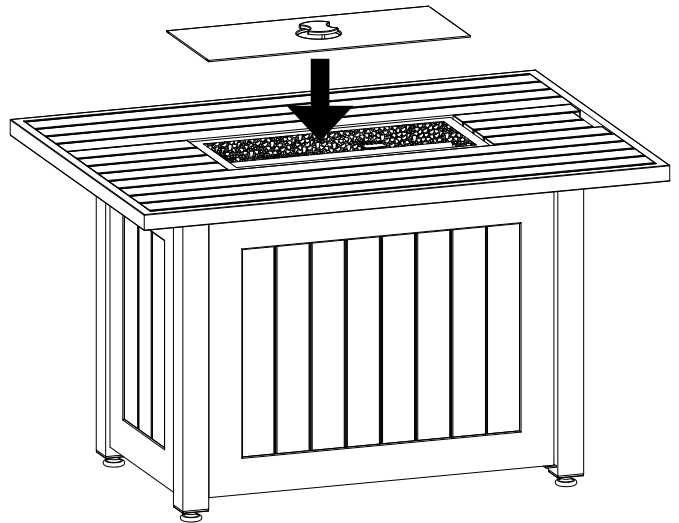


CAUTION: Use only HAMPTON BAY factory-authorized lava rocks. The use of any lava rocks that are not factory-authorized can be dangerous and will void your warranty.



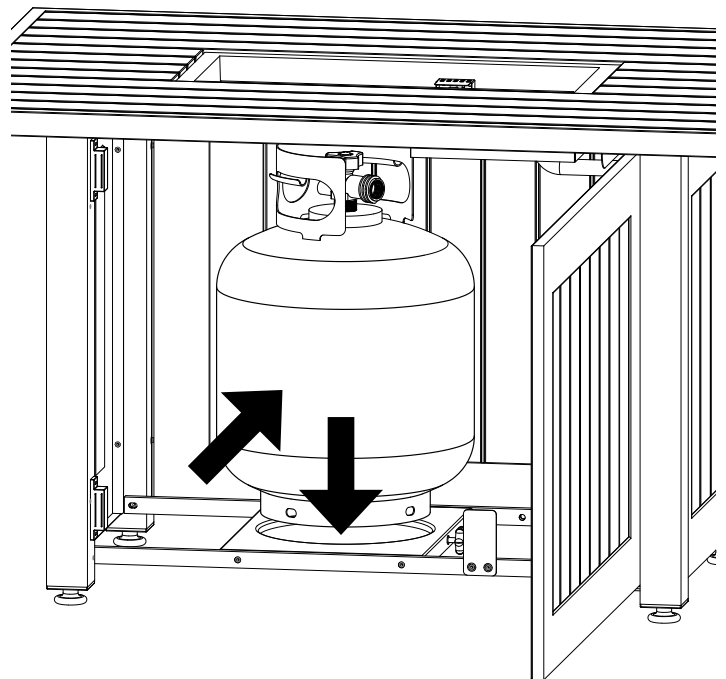
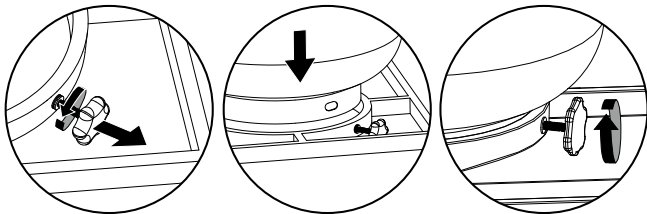
NOTE: Lava rocks should be 0.4-1.18 in (1-3 cm) diameter. Approx. 2.87 lbs. (1.3 kg) of lava rocks are needed.

9 Placing table insert



10 Inserting propane gas tank

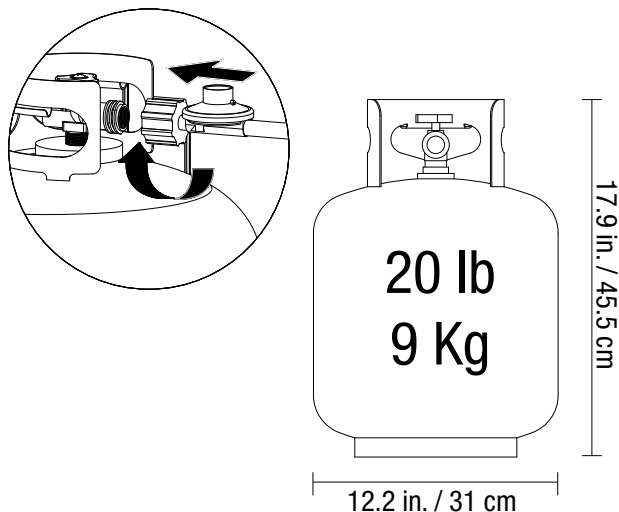
- 1) Open the door and loosen the propane gas tank retainer bolt by turning it counterclockwise.
- 2) Place the precision-filled propane gas tank upright into the opening in the fire pit base, ensuring the tank valve is aligned with the gas line connection.
- 3) Secure the tank by tightening the propane gas tank retainer bolt clockwise until firm. Close the door.



Assembly (continued)

11 Connecting propane gas tank

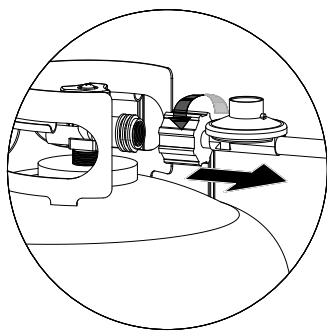
- To operate, you will need one precision-filled standard grill propane gas tank with external valve threads.



Disconnecting propane gas tank

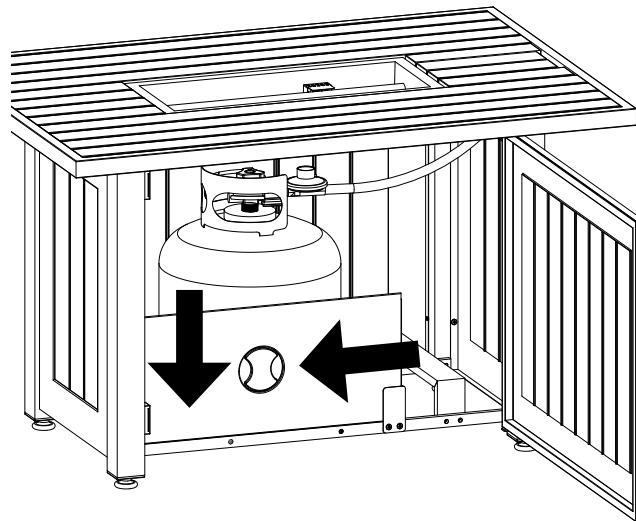


CAUTION: Propane gas tank must be properly disconnected and removed prior to moving this fire pit.



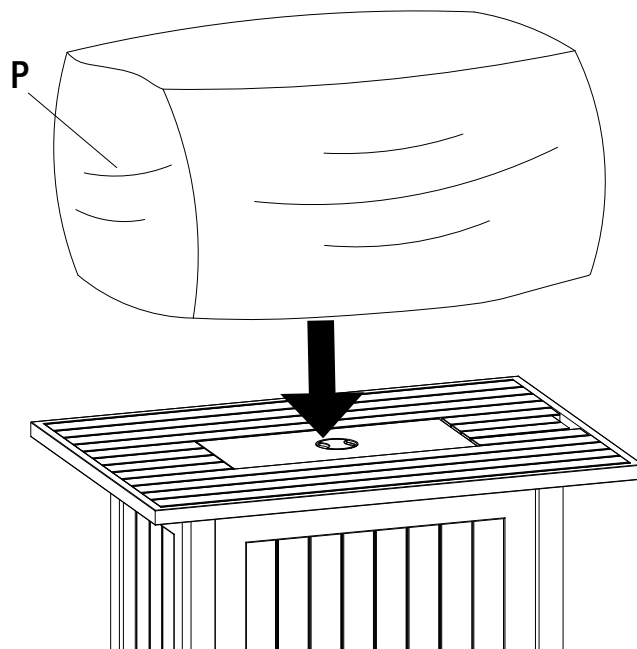
12 Store table insert inside the fire pit

- Slide the table insert into the tab located on the gas tank support.



13 Use protective cover when not in use for storage

- Store the outdoor fire pit assembled in a cool, dry location away from children and pets.



Operating Instructions

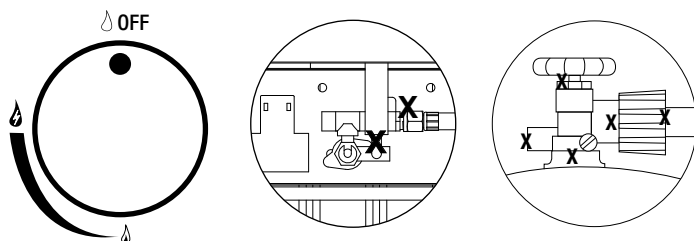
Checking for Leaks

1. Make sure the regulator hose and valve connections are securely fastened to the burner and tank.
2. Visually check the connection between the burner/venturi tube and orifice.
3. Make sure the burner/venturi tube fits over the orifice.



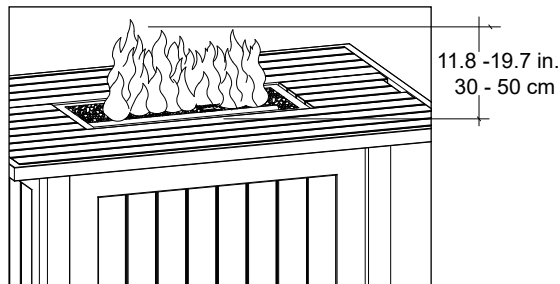
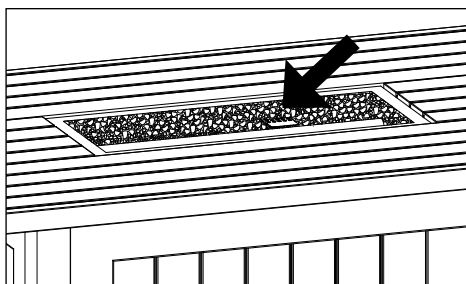
WARNING: Failure to inspect this connection or follow these instructions could cause a fire or an explosion which can cause death, serious bodily injury or damage to property.

4. Make 2-3 oz. of leak detection solution by mixing one part liquid dish washing soap with three parts water.
5. Connect propane gas tank per “Installing propane gas tank” section.
6. Turn propane gas tank valve to “OPEN”.
7. Spoon several drops of solution, or use a squirt bottle, at all “X” locations (See Figures).
 - a. If any bubbles appear, turn propane gas tank valve to “CLOSED”, reconnect and re-test.
 - b. If you continue to see bubbles after several attempts, turn propane gas tank valve to “CLOSED” and disconnect propane gas tank, per “Disconnecting propane gas tank” section. Contact for assistance.
 - c. If no bubbles appear after one minute, turn propane gas tank valve to “CLOSED”, wipe away solution and proceed.



Ignition and Lighting

1. Make sure control knob must be in the “OFF” position and connect propane gas tank.
2. Turn propane gas tank valve to “OPEN”.
3. Spoon several mixing drops of liquid dishwashing soap solution, or use a squirt bottle at all gas connecting locations for leak test (Please refer to the leak test instructions).
4. Clear small area of lava rock away from the ignition guard.
5. Push and turn control knob to (HIGH). Continue to hold the control knob in for ignition and lighting.
6. After the fire pit lights, continue to hold the control knob in for 20 seconds to heat thermocouple, a safety device that stops the gas flow when a fire pit is not lit. Holding the knob in for 20 seconds warms it up so the gas flow will continue, then release and turn control knob counterclockwise to adjust flame to desired height.



WARNING: Do NOT obstruct the flow of combustion and ventilation air. Check and clean burner/venturi tubes for insects and insect nests. A clogged tube can lead to a fire.

Operating Instructions (continued)

Ignition and lighting (Continued)

7. After three attempts, if ignition does not occur, turn the burner control knob to “△OFF”.
8. Wait 5 minutes, fan with a newspaper or magazine, and repeat lighting procedure.
9. If igniter does not light burner:
 - a. Wearing heat-resistant gloves, position a lit long match or lit long butane lighter near the pilot housing.
 - b. Push and turn control knob to (▲HIGH).
10. After lighting, observe the burner flame. Make sure all burner ports are lit and flame height are appropriate.



CAUTION: If ignition does not occur in 5 seconds, turn control knob to “△OFF”, wait 5 minutes, fan with a newspaper or magazine, and repeat lighting procedure.

Turning off

1. Turn propane gas tank valve to “CLOSED”.
2. Turn control knob to the “△OFF” position.



NOTE: A “poof” sound is normal as the last of the propane gas is burned.

3. Disconnect propane gas tank per “Disconnecting propane gas tank” section.

IMPORTANT: BEFORE USE HOW TO SEASON LAVA ROCK



WARNING: WHEN HEATED, LAVA ROCK MAY POP AND THROW FRAGMENTS. STAY BACK TO AVOID INJURY.

1. Place the lava rocks into the fire pit bowl before turning on.
2. Follow the lighting instructions from the owner’s manual to light the fire pit.
3. Turn the fire pit to the highest heat.
4. Allow the lava rocks to heat at the maximum temperature for 30 minutes before enjoying fire pit.
5. Keep all people and any material that could burn at least 15 feet away from the fire pit while the lava rocks are being seasoned.
6. Repeat the process if your fire pit has been exposed to rain or moisture.

Care and Cleaning

Cleaning surfaces

1. Wipe surfaces with a mild dish soap solution or a mixture of baking soda and water.
2. For stubborn stains, gently scrub with a nylon brush.
3. Rinse thoroughly with clean water.
4. Allow to air dry completely.



IMPORTANT NOTES: During cleaning, ensure the area around the burner and pilot assembly stays dry at all times.

Cleaning the burner



WARNING: Perform all cleaning only when the appliance is completely cool and the fuel supply has been disconnected according to the “Disconnecting propane gas tank” instructions.

1. Remove the lava rock or fire glass.
2. Clear all dirt and debris from the burner, guard, and venturi area using a small brush or compressed air.
3. Visually inspect the burner for rust or damage. Replace any damaged parts with manufacturer-approved components only.
4. Clear any clogged burner ports using a stiff wire, such as an unfolded paper clip.
5. Carefully replace the fire glass or lava rocks, ensuring the ignition guard remains unobstructed.
6. When the fire pit is cool and not in use, keep it covered to protect it from the elements.

Cleaning cover

1. Do not use soap or detergent to clean the cover.
2. Clean the cover with a soft sponge or brush and lukewarm water. Air dry completely.

Maintenance

Before storage

1. Turn propane gas tank valve to the “CLOSED” position.
2. Turn control knob to the “OFF” position.



NOTE: A “poof” sound is normal as the last of the gas is burned.

3. Disconnect propane gas tank per “Disconnecting propane gas tank” section.
4. Clean all surfaces.
5. Lightly coat the burner with cooking oil to prevent excess rusting.



CAUTION: NEVER place cover on hot outdoor fire pit.

Before each use

1. Keep the area around the fire table clear and free from combustible materials, gasoline, and other flammable vapors and liquids.
2. Do not obstruct the flow of gas to the burner or the ventilation of air around the unit.
3. Keep the ventilation opening(s) in the propane tank enclosure free and clear of debris.
4. Visually inspect the burner flames to ensure proper operation.
5. Refer to the cleaning instructions below for proper maintenance.
6. Check all gas fittings and connections for leaks.
7. Inspect all components for signs of damage or rust.
8. Check for any obstructions in the burner air intake or venturi tube. Spiders, insects, or webs can cause a blockage, which may lead to a fire.
9. If any damage is found, do not operate the fire table until repairs have been made.

Storage instructions

For indoor storage:

1. Cover the fire pit and store it in a cool, dry place away from children and pets.

For outdoor storage:

2. Protect the fire pit from the elements by using a weatherproof cover.
3. Store the fire pit upright in a sheltered location, shielded from direct exposure to rain, snow, hail, dust, debris, and strong winds.
4. Store the propane tank outdoors in a well-ventilated area, out of direct sunlight.
5. After rain, remove the cover promptly to allow the fire pit to ventilate and dry thoroughly.

Troubleshooting

Problem	Possible Cause	Solution
Burner will not light using igniter	Propane gas tank valve is closed.	<input type="checkbox"/> Make sure regulator is securely attached to the propane gas tank per “Installing propane gas tank”, then turn propane gas tank valve to “OPEN”.
	Propane gas tank is low or empty.	<input type="checkbox"/> Exchange, refill or replace propane gas tank.
	Propane gas leak.	<input type="checkbox"/> Turn propane gas tank valve to “CLOSED”. <input type="checkbox"/> Wait 5 minutes for gas to clear. <input type="checkbox"/> Follow “Checking for leaks” section.
	Battery needs to be changed.	<input type="checkbox"/> Replace the “AA” battery (follow assembly step for inserting battery)
	Electrode and burners are wet.	<input type="checkbox"/> Wipe dry with cloth.
	Electrode cracked or broken sparks at crack.	<input type="checkbox"/> Replacement part(s) may be needed - contact customer care at 1-855-HD-HAMPTON.
	Wire loose or disconnected.	<input type="checkbox"/> Reconnect wire or replacement part(s) may be needed - contact customer care at 1-855-HD-HAMPTON.
	Wire is shorting (sparking) between igniter and electrode.	<input type="checkbox"/> Replacement part(s) may be needed - contact customer care at 1-855-HD-HAMPTON.
	Thermocouple is not operating correctly.	<input type="checkbox"/> Disconnect propane gas tank per “Disconnect propane gas tank” section. <input type="checkbox"/> Clean area around thermocouple. <input type="checkbox"/> Connect propane gas tank per “Connect propane gas tank” section. <input type="checkbox"/> Relight per “Lighting” section. <input type="checkbox"/> If the outdoor fire pit is still not working, please contact customer care at 1-855-HD-HAMPTON for additional assistance.
Bad igniter.	<input type="checkbox"/> Replacement part(s) may be needed - contact customer care at 1-855-HD-HAMPTON.	

Troubleshooting (continued)

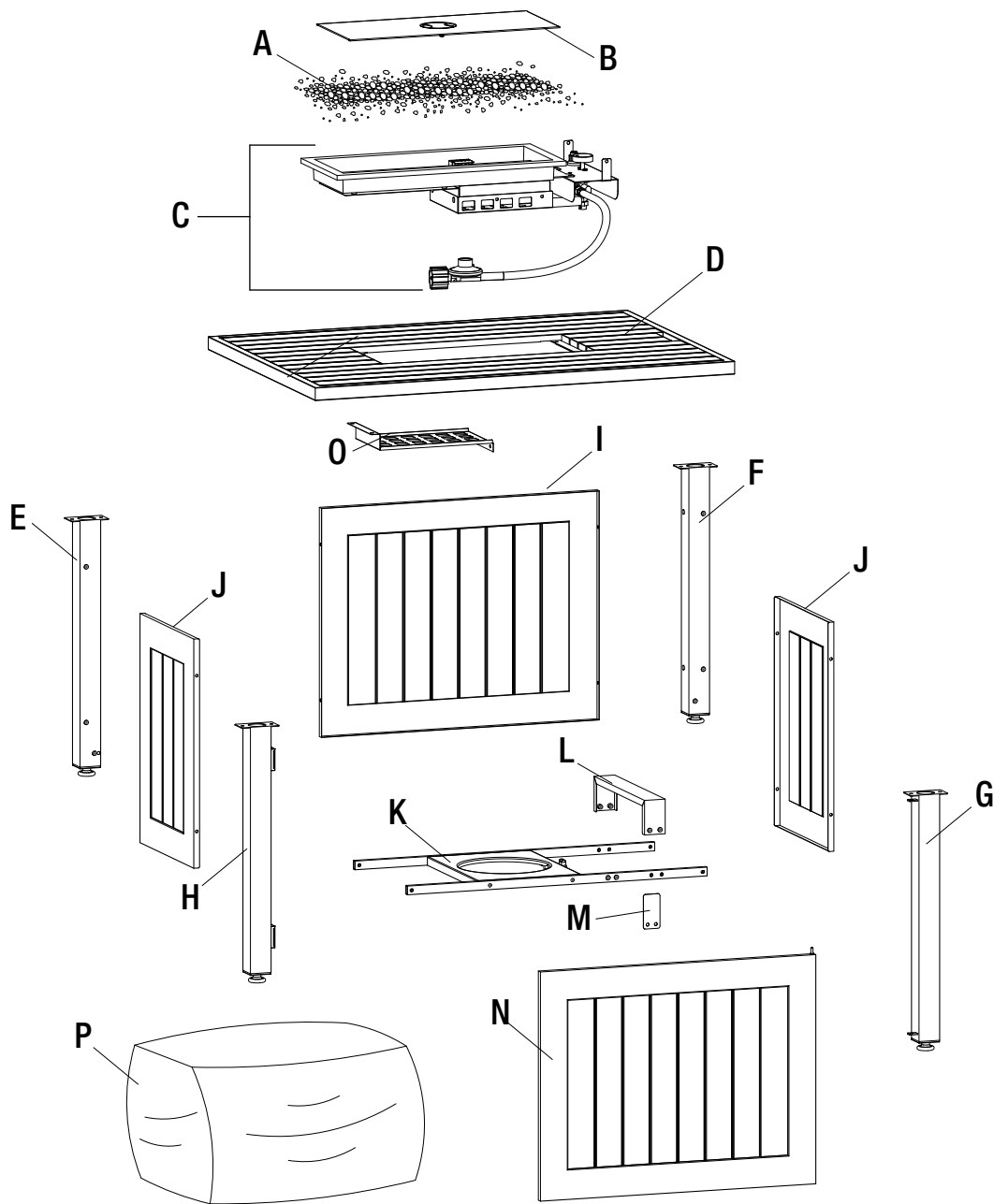
Problem	Possible Cause	Solution
Burner will not light with match	No gas flow.	<input type="checkbox"/> Check if propane gas tank is empty. <input type="checkbox"/> a. If empty, exchange, refill or replace propane gas tank. <input type="checkbox"/> b. If propane gas tank is not empty, refer to “Sudden drop in gas flow or reduced flame height” (see below).
	Propane gas tank is low or empty.	<input type="checkbox"/> Exchange, refill or replace propane gas tank.
	Propane gas leak.	<input type="checkbox"/> Turn propane gas tank valve to “CLOSED”. <input type="checkbox"/> Wait 5 minutes for gas to clear. <input type="checkbox"/> Follow “Checking for leaks” section.
	Coupling nut and regulator not fully connected.	<input type="checkbox"/> Turn the coupling nut about one-half to three-quarters additional turn until solid stop. Do not use tools, tighten by hand only.
	Obstruction of gas flow.	<input type="checkbox"/> Clear burner/venturi tube. <input type="checkbox"/> Check for bent or kinked hose.
	Disengagement of burner to valve.	<input type="checkbox"/> Re-engage burner and valve.
	Spider webs or insect nest in burner/venturi tube.	<input type="checkbox"/> Clean burner/venturi tube.
	Thermocouple is not operating correctly.	<input type="checkbox"/> Disconnect propane gas tank per “Disconnect propane gas tank” section. <input type="checkbox"/> Clean area around thermocouple. <input type="checkbox"/> Connect propane gas tank per “Connect propane gas tank” section. <input type="checkbox"/> Relight per “Lighting” section. <input type="checkbox"/> If the outdoor fire pit is still not working, please contact customer care at 1-855-HD-HAMPTON for additional assistance.
Irregular flame not run the full pattern, flame does length of burner	Burner ports are clogged or blocked.	<input type="checkbox"/> Clean burner ports.
Flashback (fire in venturi/ burner tube(s))	Burner and/or burner/venturi tube is blocked.	<input type="checkbox"/> Clean burner and/or burner/venturi tube.

Troubleshooting (continued)

Problem	Possible Cause	Solution
Sudden drop in gas flow or reduced flame height	Out of gas	<ul style="list-style-type: none"> <input type="checkbox"/> Exchange, refill or replace propane gas tank
	Overfilling prevention device may have been activated.	<ul style="list-style-type: none"> <input type="checkbox"/> Turn control knob to “△OFF”. <input type="checkbox"/> Wait 30 seconds and light outdoor fire pit per “Lighting” section. <input type="checkbox"/> If flames are still too low, reset the over filling prevention device. <input type="checkbox"/> Turn control knob “△OFF”. <input type="checkbox"/> Turn propane gas tank valve to “CLOSED”. <input type="checkbox"/> Disconnect propane gas tank from regulator. <input type="checkbox"/> Turn control knob to (⬆️) HIGH). <input type="checkbox"/> Wait two minutes. <input type="checkbox"/> Turn control knob to “△OFF”. <input type="checkbox"/> Reconnect propane gas tank to regulator and leak check connections, being careful not to fully open valve. <input type="checkbox"/> Light outdoor fire pit per “Lighting” section.
Flame is yellow or orange	New burner may have residual manufacturing oils.	<ul style="list-style-type: none"> <input type="checkbox"/> Burn outdoor fire pit for 15 minutes and reinspect.
	Spider webs or insect nest in burner/venturi tube.	<ul style="list-style-type: none"> <input type="checkbox"/> Clean burner/venturi tube.
	Poor alignment of valve to burner/venturi tube.	<ul style="list-style-type: none"> <input type="checkbox"/> Ensure burner/venturi tube is properly engaged with valve.
Flame goes out	High or gusting winds.	<ul style="list-style-type: none"> <input type="checkbox"/> Do not use outdoor fire pit in high wind.
	Low on propane gas.	<ul style="list-style-type: none"> <input type="checkbox"/> Exchange, refill or replace propane gas tank.
	Excess flow valve tripped.	<ul style="list-style-type: none"> <input type="checkbox"/> Refer to “Sudden drop in gas flow or reduced flame height”.
	Thermocouple is not operating correctly.	<ul style="list-style-type: none"> <input type="checkbox"/> Disconnect propane gas tank per “Disconnect propane gas tank” section. <input type="checkbox"/> Clean area around thermocouple. <input type="checkbox"/> Connect propane gas tank per “Connect propane gas tank” relight per “Lighting” section. <input type="checkbox"/> If the outdoor fire pit is still not working, please contact customer care for additional assistance.
Flame seems to lose heat when burning in cold weather temperature below 50°F	Ice has built up on the outside of the propane gas tank because the vaporization process is too slow.	<ul style="list-style-type: none"> <input type="checkbox"/> Turn off per “Turning off” section. <input type="checkbox"/> Replace with a spare propane gas tank. <input type="checkbox"/> Reconnect propane gas tank per “Installing propane gas tank” section. <input type="checkbox"/> Follow “Checking for leaks” section. <input type="checkbox"/> Light outdoor fire pit per “Lighting” section.

Service parts

MODEL TYPE: GAD17117HD



Part	Description	Quantity
A	Lava rock	1
B	Table insert	1
C	Fire bowl assembly*	1
D	Mantel	1
E	Leg E	1
F	Leg F	1
G	Leg G	1
H	Leg H	1

Part	Description	Quantity
I	Rear panel	1
J	Side panel	2
K	Gas tank support	1
L	Gas tank prevent bar	1
M	Tab for table insert	1
N	Door	1
O	Shield plate	1
P	Cover	1

HAMPTON BAY®

Limited Warranty

This Outdoor Patio product has a limited residential warranty from the date of the original retail purchase, that the product will be free from defects in material and workmanship and is valid for the original retail purchaser only, with the original sales receipt including purchase date, and is not transferable. In certain warranty claim cases, photographs and or visual inspection reports may be required. This Warranty does not apply to any damage caused to the product as a result of the product being used in a commercial or industrial setting. Should replacement of the warranted item(s) be unavailable, the manufacturer reserves the right to substitute items of our choice that are of similar style and quality. Warranty coverage period depends on the purchased item; length of coverage can be found on page 2 of the Use and Care Guides. The terms of this warranty are subject to change without notice.

Steel and Wood Frames – Three Year - Residential Use: If the steel or wood frame fails structurally within three years from the original date of purchase, an authorized agent will repair or replace the frame in the original finish and style whenever possible at the manufacturer's discretion at no charge to the original purchaser. We reserve the right to substitute a similar style or finish at the manufacturer's option. The replacement shall be with the individual item or items not of the complete collection or set. This Warranty does not apply for any damage caused to the product as a result of the product being used in a commercial or industrial setting.

Finishes – Three Year - Residential Use: Finishes shall be warranted against cracking, blistering, or peeling for three years provided the unit has not been scratched or abraded. Scratches and chips resulting from normal wear and tear are not covered. Fading resulting from exposure to either harsh elements or chemicals is not covered. Due to the unique nature of hand-applied finishes, fading and wearing of hand-applied finishes are not included in this warranty.

Wicker Weave & Vinyl Strap – Three Year – Residential Use: If the wicker weave or vinyl strap fails structurally within three years from the original date of purchase, an authorized agent will repair or replace the frame in the original finish and style whenever possible at the manufacturer's discretion at no charge to the original purchaser. This warranty reserves the right to substitute a similar style or finish at manufacturer's option. The replacement shall be with the individual item or items not of the complete collection or set. Fading or discolorations resulting from exposure to the elements, chemicals or from spills are not covered. This Warranty does not apply to any damage caused to the product as a result of the product being used in a commercial or industrial setting.

Fabric – Three Year – Residential Use: If fabric on a cushion or sling on the product separates within three years from the original date of purchase, manufacturer will repair or replace the fabric at the manufacturer's discretion at no charge to the original purchaser with proof of purchase. Manufacturers reserve the right to substitute a similar style at manufacturer's option. The replacement shall be on the individual item or items not on the complete collection or set. Any installation charges are the sole responsibility of the original purchaser. Fading, and/or discolorations due to exposure to chemicals, and spills are not covered. This Warranty does not apply for any damage caused to the product as a result of the product being used in a commercial or industrial setting.

Resin, glass, or tile tops – Three Year – Residential Use: Resin, glass or tile tabletops are warranted for three years for defects. This Warranty does not apply to any damage caused to the product as a result of the product being used in a commercial or industrial setting.

Umbrellas / Gazebos – Three Year – Residential Use: Structural failure of umbrella / gazebos within three years from the original date of purchase is covered under the limited warranty. High wind or storm damage is not included as umbrellas should be closed and in a secure location at this time. Customers are responsible for the safe storage of umbrellas and gazebos at all times to include seasonal weather changes, windy conditions, inclement weather, and while not in use. Damage caused from any wind-related condition is not covered under this warranty at any time. Wind damage includes bent or broken poles or ribs along with ripped or torn fabric. All warranty issues are at factory discretion. Manufacturers reserve the right to make substitutions with similar merchandise if the model originally purchased is no longer available.

Firepits – One Year / Three Year – Residential Use: Wood burning firepits are covered under the limited warranty for one year against structural failure and defects in material or workmanship. LP gas firepits are covered under the limited warranty for three years against structural failure and defects in material or workmanship.

Patio Heaters – One Year – Residential Use: LP gas and wood/pellet patio heaters are covered under the limited warranty for one year against structural failure and defects in material or workmanship.

Electric Fireplace – One Year – Residential Use: Electric fireplaces (Electric firebox and mantel) are covered under the limited warranty for one year against structural failure and defects in material or workmanship.

Warranty Exclusions: Failure to follow general care and maintenance guidelines will void the warranty. Excluded from the warranty are any products used for commercial, industrial, contract or any other non-residential purposes, display models, clearance items, or items purchased "as is", freight damage, products damaged by acts of nature such as, but not limited to, freezing or high winds, extreme climate conditions, vandalism, fire, abuse, or improper assembly. Corrosion, fading and discolorations from exposure to chemicals, oils, spills or fluids, or splitting or buckling of tubing resulting from exposure to water and freezing temperatures are not covered. After 90 days from date of purchase, shipping and handling charges are the original purchaser's responsibility. Also excluded are purchased or replacement parts; plastics, normal fading, scratching, or chipping of the finish, staining or discoloration of furniture, accidental damages, repairs, or modifications by consumer, normal wear and tear. Exclusion also includes loss of time, inconvenience, travel, packaging, and/ or any other incidental damages. Lack of original receipt will void the warranty. At no time shall the manufacturer's responsibility exceed the value of the replacement product. The manufacturer reserves the right to substitute similar product of same quality if the model in question is no longer in production or available.

For further questions and concerns, please contact the following phone number:
Hampton Bay: 1-855-HD-HAMPTON or online at www.Hamptonbay.com.

HAMPTON BAY®

Questions, problems, missing parts?

**Before returning to the store, call Hampton Bay Customer Service
8 a.m. - 7 p.m., EST, Monday - Friday, 9 a.m. - 6 p.m., EST, Saturday**

1-855-HD-HAMPTON

HAMPTONBAY.COM

Retain this manual for future use.