

Ceramic Pedestal Bathroom Sink

Use and Maintenance

OVERVIEW

Vitreous China is a Ceramic material that has been glazed with enamel. When an intense amount of heat is applied to powdered glass, the result is a liquid called vitreous enamel that can be used to coat small objects such as sinks and toilets. Vitreous China has a smooth, shiny surface that won't stain or fade and resists scratches and abrasions. It is also chemical resistant and impossible to burn. Our pedestal sinks are guaranteed not to stain, chip, scratch or rust through regular use. But as with any sink they require regular cleaning with warm, soapy water.



CARE & MAINTENANCE

- Vitreous China is very to care for. Simply rinse thoroughly with a mild liquid non-abrasive detergent such as dishwashing liquid, then make sure you wipe dry with a soft cloth. A mild abrasive cleaner may be used for more heavy duty cleaning. Use toilet bowl cleaners inside of the bowl only.
- Remove and clean the drains regularly to prevent stubborn stains.
- Check regularly for cracks. To check for cracks, you can fill a basin with water and pour in colored paint to soak overnight. If there is a change in the water level, there may be cracks. If your sink develops any type of discoloration, using a mild abrasive, such as baking soda, will have your bath sink looking brand new again



RUB LIGHTLY
WITH SOFT CLOTH



CLEAN
PERIODICALLY



CLEAN SINK WITH
MILD ABRASIVE

CAUTION

- Do not use in-tank cleaners as they can damage the flush valve. Strong abrasive cleaners or pads will remove the gloss finish and scratch and dull the surface. Avoid soft-scrub type of cleaner on a regular basis.
- Avoid steel wool or metal cleaning pads on the sink.
- Avoid dropping heavy or sharp objects from a height into the basin.
- Avoid large friction with other ceramic surfaces during use, as it will abrade the glaze and cause breakage in appearance, affecting the overall decoration.



HARSH
CLEANERS



STEEL WOOL



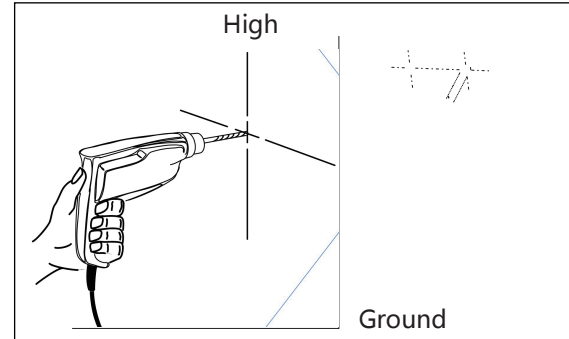
BLEACH
STAYS ON TOO LONG

Ceramic Pedestal Bathroom Sink

Assembly Instructions

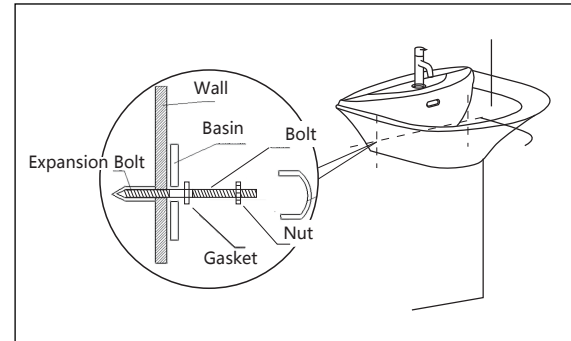
- **STEP 2:**

Use a drill to make a hole at the mark on the wall, and then fix the expansion bolt in the installation hole. Install the end of the bolt for the installation basin to the corresponding expansion bolt.



- **STEP 3:**

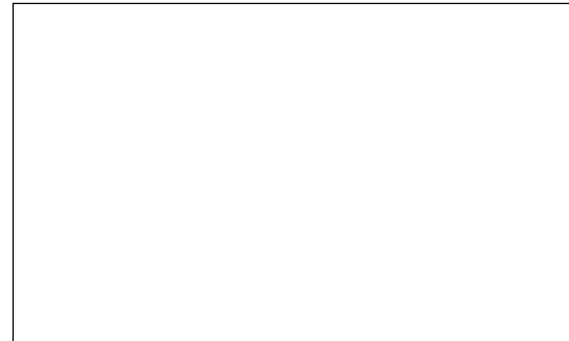
After installing the faucet, fix the basin to the bolts which are already installed on the wall.



- **STEP 4:**

Install the drain fittings according to the corresponding instructions, and connect the inlet and drain pipe fittings. Seal the bottom of the drainage with silicone.

Attention: The faucet and the water inlet and drain pipes fittings must be firm, otherwise there may be leakage. After installation, please be sure to confirm whether there are any defects such as water leakage.



- **STEP 5:**

After installing the basin, place the column to the corresponding position. Coat the contact surface between the basin and the wall and between the column and the ground with adhesive sealing materials such as silicone.

Attention: It is absolutely forbidden to use epoxy resin glue and other sealing materials that increase in volume after hardening.

