



Buy it for looks. Buy it for life.®

Specifications

DESCRIPTION

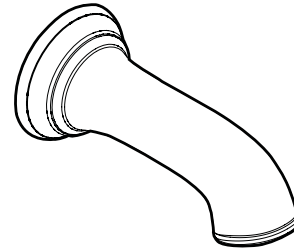
- Metal construction with Chrome, LifeShine® Brushed Nickel, or Oil Rubbed Bronze finish
- Designed to be installed on a 1/2" pipe with slip fit-CC connection

STANDARDS

- Third party certified to CSA B125, ASME A112.18.1M and all applicable requirements referenced therein

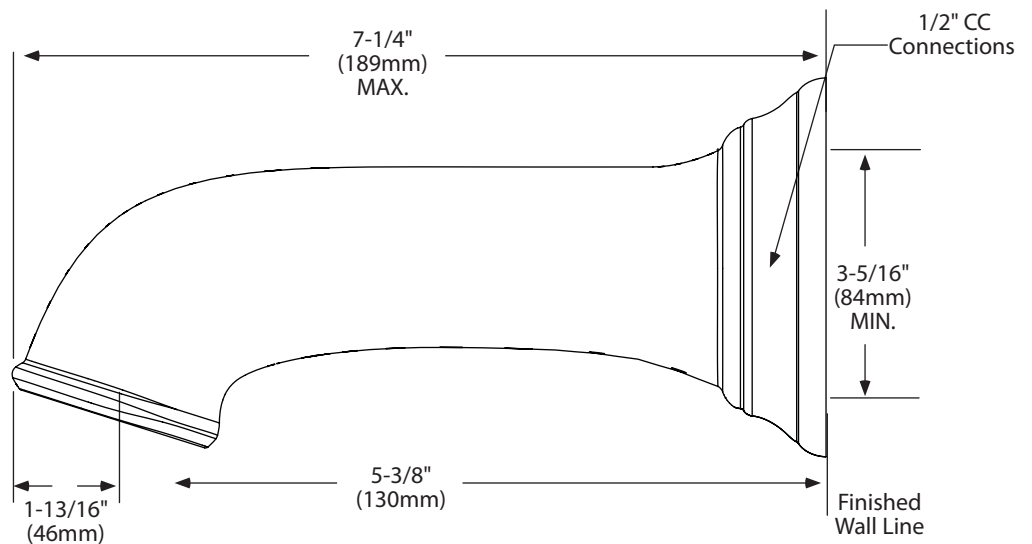
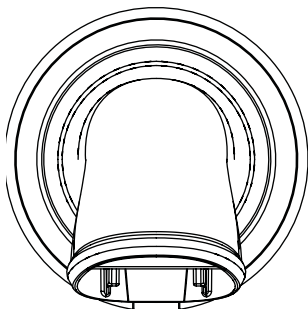
WARRANTY

- Lifetime limited warranty against leaks, drips and finish defects to the original consumer
- 5 year warranty if used in commercial installations



Brantford® Tub Filler

MODEL	FINISH
3858	Chrome
3858 BN	Brushed Nickel
3858ORB	Oil Rubbed Bronze



CRITICAL DIMENSIONS

(DO NOT SCALE)

FOR MORE INFORMATION CALL: 1-800-BUY-MOEN

www.moen.com