

VENTAMATIC, LTD. LIMITED WARRANTY

This warranty is underwritten by Falco Insurance Company and is extended to the original retail purchaser of this model or, if this unit is purchased and requires installation by a building contractor, to the original owner of the home. No subsequent purchaser of the unit or of a home in which it is installed is entitled to any of the benefits of this warranty.

This product is warranted against defects in materials and workmanship for a period of one (1) year from the date of original retail purchase. No other parts or components are warranted. There is no warranty for defects caused by abuse, faulty installation, or the like.

Repairs or replacement parts supplied under this warranty are warranted only for the period of this warranty; that is, one (1) year from the date of the original retail purchase of the unit.

In the event of a defect or malfunction, we will replace or repair the defective part or component only and return the new or repaired part to you freight prepaid.

You must bear all other expenses incurred in obtaining repairs, including labor required for field repair or replacement, and the cost of shipping the defective part to us. You must also bear the cost of repair to or replacement of any part or component and the shipping charges incurred for the repair or replacement and return to you of any part or component not covered by this warranty, including parts or components damaged by you.

The company reserves the right to demand and receive written evidence of the date of purchase before undertaking its obligations under this warranty. The right to demand and receive written evidence of date of purchase extends to all licensed dealers of Ventamatic, Ltd. products.

You should, therefore, retain your sales slip and attach a copy of it to the warranty claim.

**To start a warranty claim you must:
Contact Ventamatic, Ltd.**

An RGA (Returned Goods Authorization) form is required for returns to the factory to ensure your return can be processed efficiently and quickly. Please contact Ventamatic, Ltd. toll-free at 800-433-1626 or via web at www.MYMAXXAIR.com to obtain an RGA and follow the instructions given.

There is no informal dispute settling mechanism available in the event of a controversy involving this warranty.

Any and all implied warranties which may exist terminate upon the expiration of this warranty one (1) year from the date of the original retail purchase. Some states do not allow limitations on how long an implied warranty lasts, so this limitation may not apply to you.

Ventamatic, Ltd. is not liable to you for incidental or consequential damages arising out of defect or malfunction of a unit or its installation or out of any alleged breach of this warranty. Some states do not allow the exclusion or limitation of incidental or consequential damages, so this limitation may not apply to you.

This warranty gives you specific legal rights and you may also have other rights which may vary from state to state.

rev.4/19 © Ventamatic, Ltd. 2020. Revision 1209.



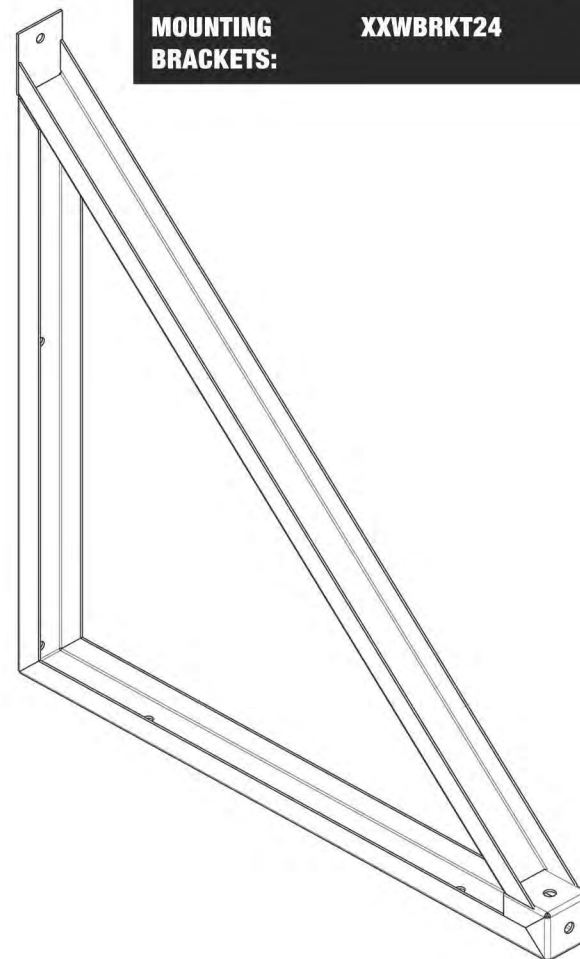
PART NUMBER – XXWALLARM

WALL BRACKET ASSEMBLY

NOTICE: For use only with the Maxx Air Model Numbers below.

FANS: HVWM 18, BF24TF

MOUNTING BRACKETS: XXWBRKT24

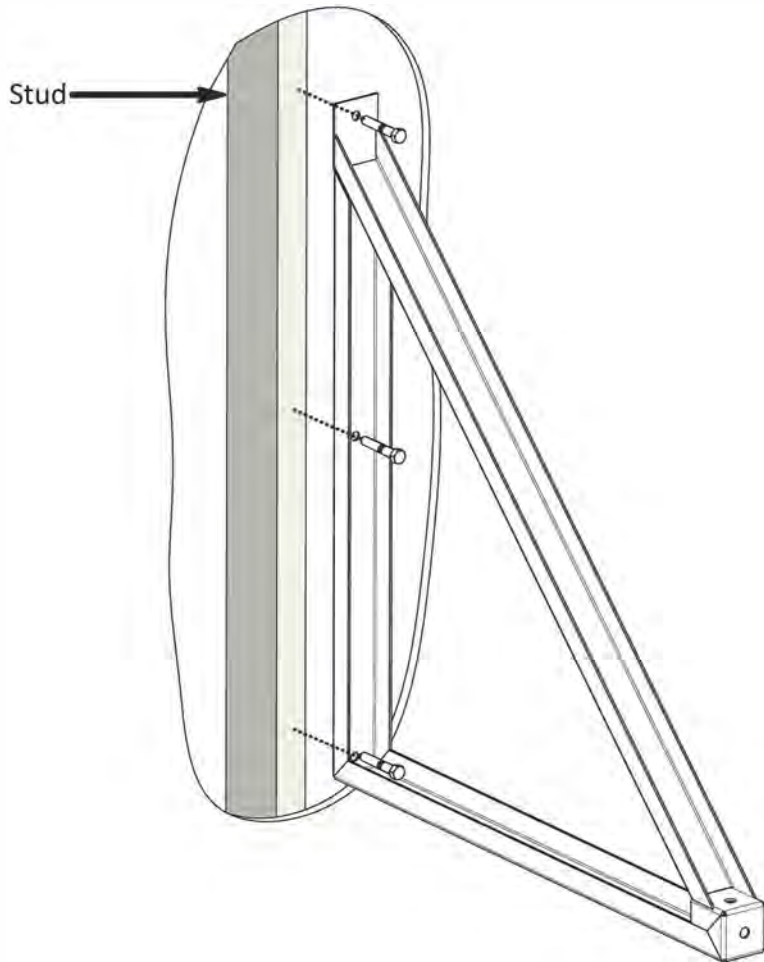


RECOMMENDED TOOLS (Not included)

- Safety Glasses
- Safety Chain
- Socket Wrench
- Sockets (9/16")

Carefully follow the instructions below to safely install your hanging bracket assembly.

STEP 3

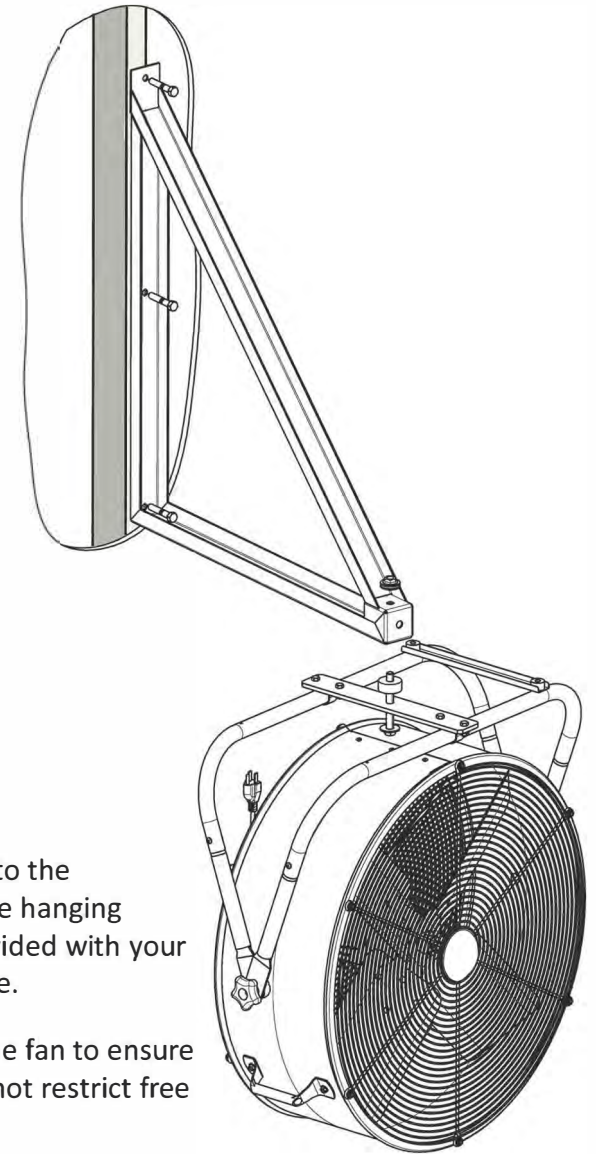


STEP 1

Locate desired mounting location using either a wall stud or I-beam. It is recommended that an electrical outlet is nearby.

STEP 2

Mount the dock arm to a 2x4 stud or beam capable of supporting the dock arm and the desired fan using three appropriate fasteners, such as lag screws (*not provided*) a minimum of 3/8" x 3".



Mount your desired fan to the wall bracket following the hanging bracket instructions provided with your hanging bracket purchase.

Once mounted, rotate the fan to ensure the electrical cord does not restrict free movement of the fan.



CAUTION: AFTER COMPLETE INSTALLATION, IT IS RECOMMENDED THAT YOU ALSO INSTALL A SAFETY CHAIN FROM THE FAN TO A STUD TO SERVE AS A BACKUP. A RECOMMENDED MINIMUM OF 1/8" DIAMETER WIRE ROPE WOULD BE SUFFICIENT TO RELIABLY HOLD THE FAN SHOULD HARDWARE FAILURE OCCUR.



CAUTION: AFTER COMPLETE INSTALLATION, PERIODICALLY CHECK ALL SCREWS AND BOLTS TO ENSURE THEY ARE SECURE.