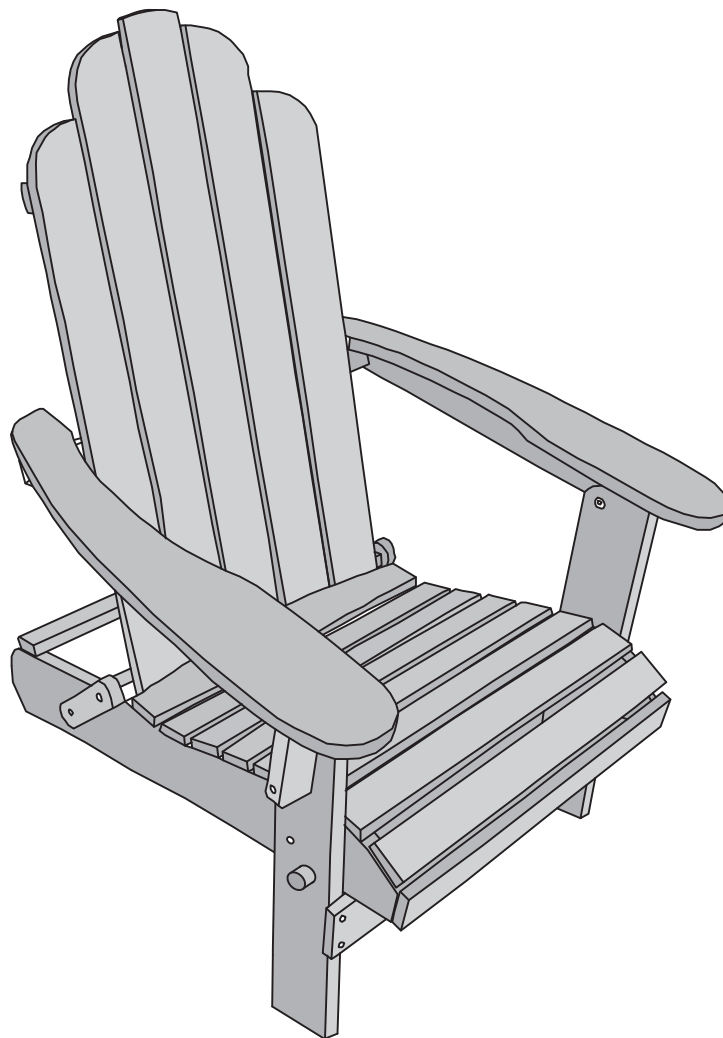


W Walker[®]
Edison
furniture company

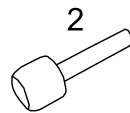
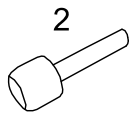
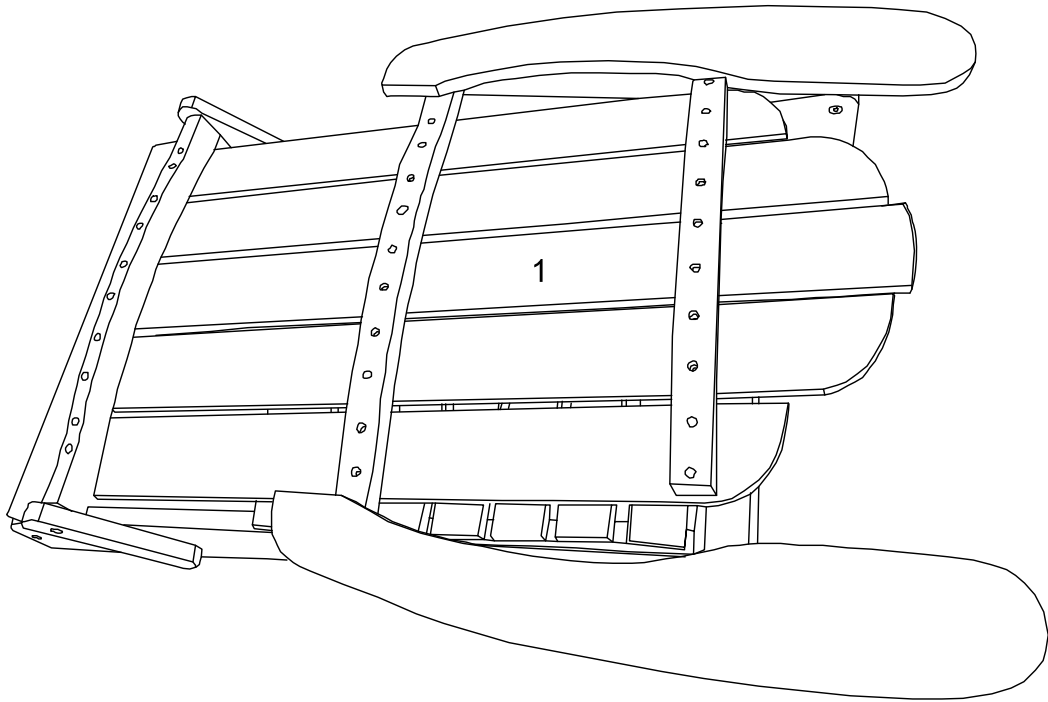
Item # : OWAC
Assembly Instructions



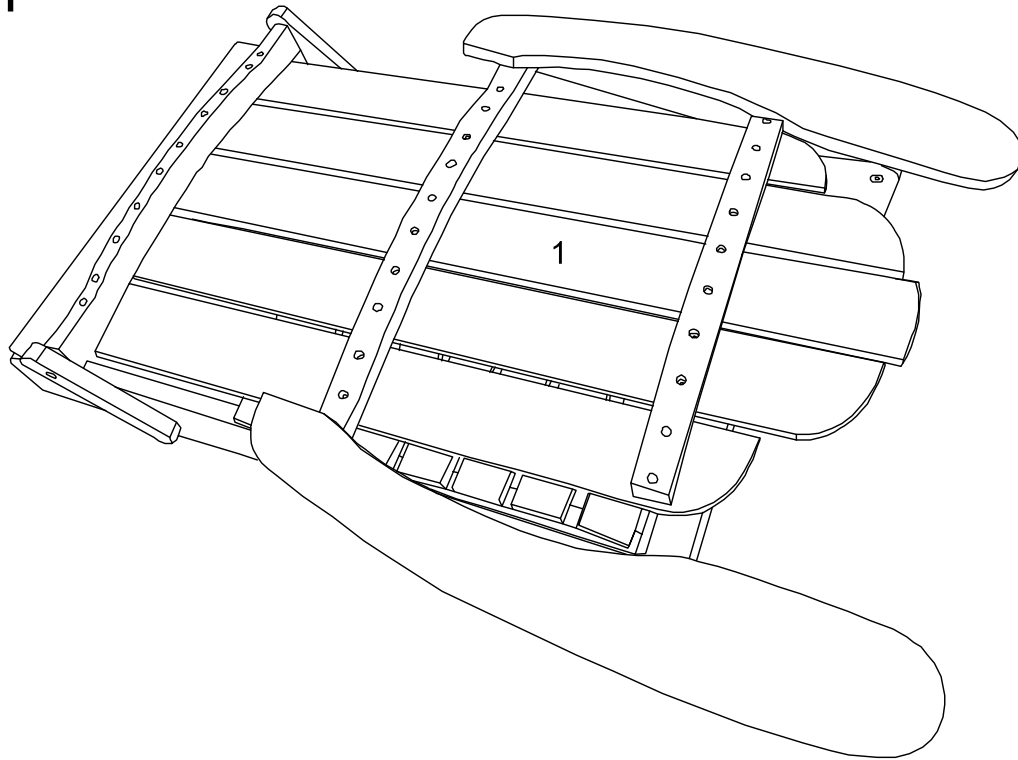
Please visit our website for the most current instructions, assembly tips, report damage, or request parts. www.walkeredison.com

Revised 03/2017

Parts List

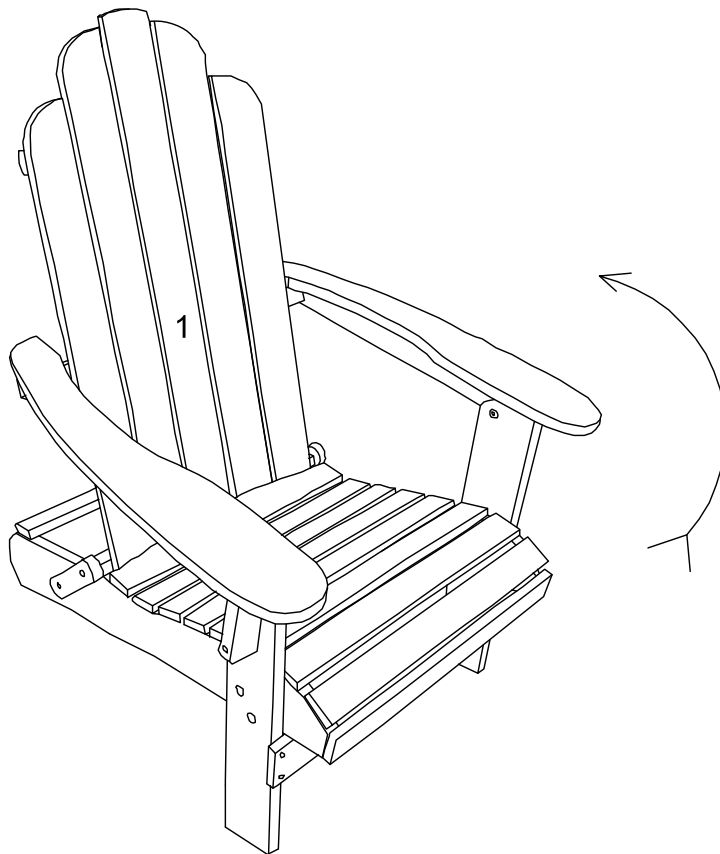


Step 1



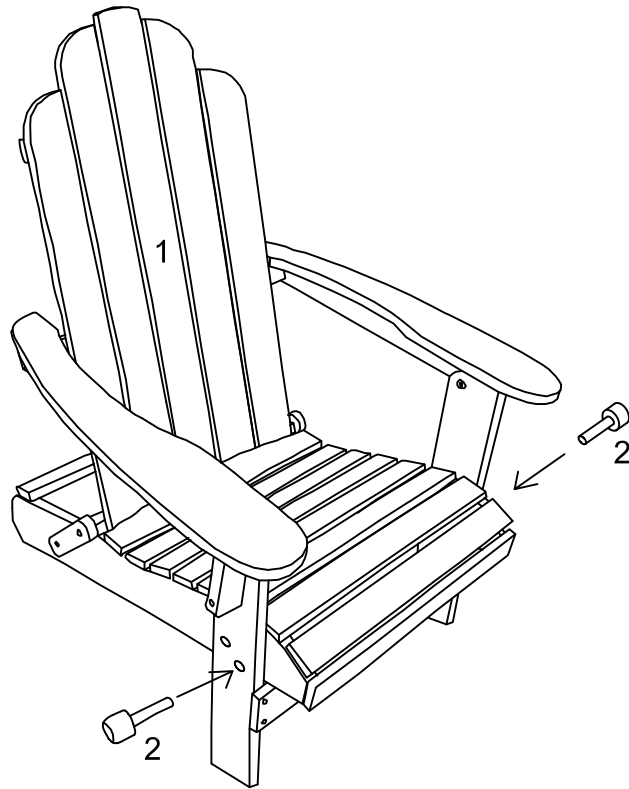
Chair will come already folded. Please carefully take off all the packing materials.

Step 2



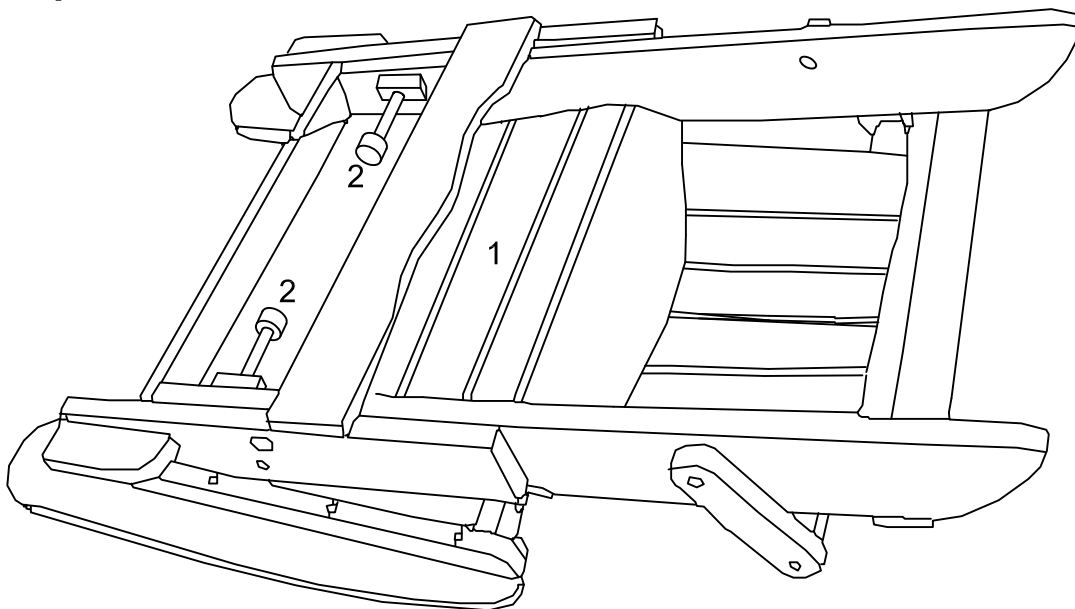
Carefully and slowly pull the chair up in the direction marked, placing your hands on the seat and back area.

Step 3



Once Seat is fully pulled into upright position, place the wooden SAFETY PEG into the required holes.
IMPORTANT! KEEP SAFETY PEGS IN PLACE WHEN CHAIR IS IN USE.

Step 4



Chair can be folded for storage. Remove two pegs from front legs, fold chair closed, insert pegs inside of legs (under seat) to help hold chair in closed position.

Final Assembly