



# 01520 ROUND Toilet Seat

Soft (Closed-Front): Champagne Ivory  
**REGULAR STANDARD**

## 1 YEAR LIMITED WARRANTY

1 year from date of purchase with proof of purchase.

Ginsey Home Solutions sells its products with the intent that they are free of defects in manufacture and workmanship for a period of one year from the date of original purchase. Ginsey Home Solutions warrants that its products will be free of defects in material and workmanship under normal use and service.

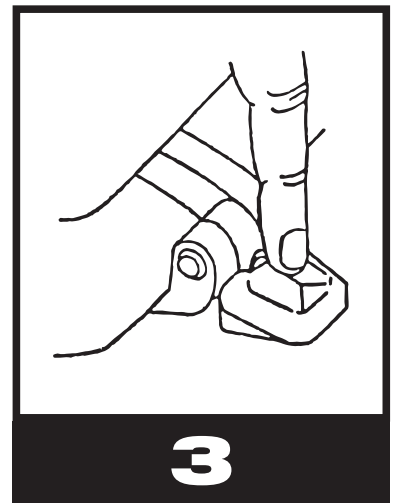
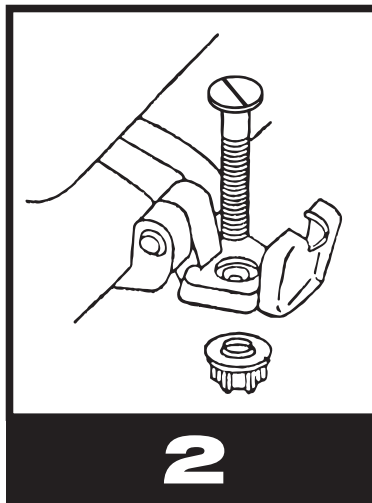
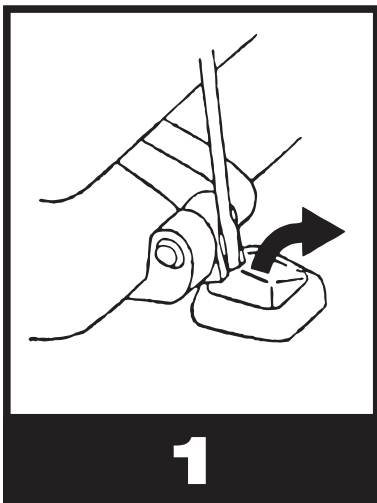
For warranty service call:

Ginsey Home Solutions  
2078 Center Square Road  
Swedesboro, NJ 08085  
1-800-257-7844  
service@ginsey.com

Customer Service is available  
8:30am – 5:00pm (EST)  
Monday – Friday

### Installation Instructions:

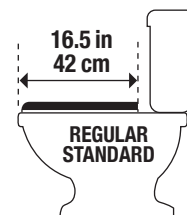
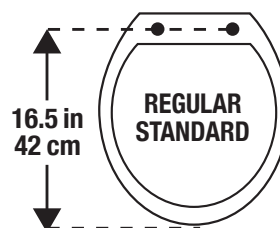
Hardware included.



### Care Instructions:

Clean with soft, damp cloth and mild soap. Dry with clean, soft cloth.

- Easy Installation
- Easy to Clean



Measure your toilet  
from front of bowl to  
mounting holes.