

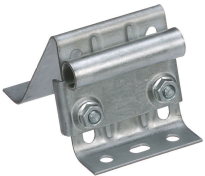
KIT CONTENTS



10 x Ultra-Life MAX
Titan Rollers



11 x #1 Hinges
(14-Gauge)



2 x Top Bracket
(16-Gauge)



2 x #2 Hinges
(14-Gauge)



1 x Eco-Xstream
Pro Lube (6 oz.)



2 x #3 Hinges
(14-Gauge)

WARNING!

IMPROPER INSTALLATION OR DOOR POSITION CAN RESULT IN SERIOUS INJURY OR DEATH.

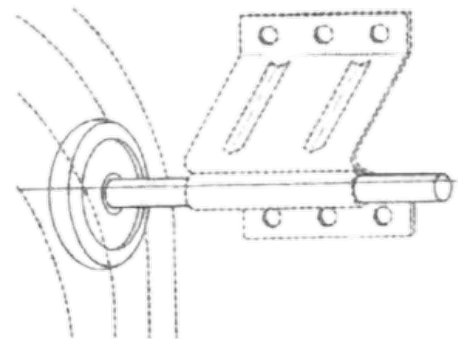
- Read and understand all instructions before you begin work.
- Wear safety goggles and gloves.
- Unplug power door opener and remove opener travel arm from door FIRST.
- Do not remove more than one part at a time.
- Do not attempt to raise or lower door without all components installed and secure.
- This hardware is intended for residential garage doors only.
- If you do not completely understand the installation instructions or are unsure whether the replacement part matches the part to be replaced, contact a professional installer.

Roller Replacement/Installation:

1. Disengage your garage door opener to ensure that the door won't open by itself during installation.
2. Use the claw of a hammer to pry the bottom roller out of the track. While the roller is off the track, remove the roller from the bracket.
3. Remove old roller and insert a new roller into the hinge. Repeat this with all of the rollers except for the top roller. Only replace the rollers on one side of the garage and one roller at a time.
4. If you are unable to remove the track with a hammer, use a drill to unbolt the track to make it easier to remove the rollers. Be sure to bolt the track back in place once all of the new rollers are installed.
5. To replace top rollers, manually open the garage door so that it is all the way open. With the top rollers positioned overhead, lift the top section so that the roller is not in the track and remove the roller from the hinge. Slide your new roller into the hinge and pop the roller back into the track. Repeat this for the top roller on the other side of the door.
6. Once all of the rollers have been replaced, reengage the opener and test your door to ensure that it opens and closes smoothly.

Tools Needed:

-  Hammer
-  Drill
-  Phillips Screwdriver



WARNING!




IMPROPER INSTALLATION OR DOOR POSITION CAN RESULT IN SERIOUS INJURY OR DEATH.

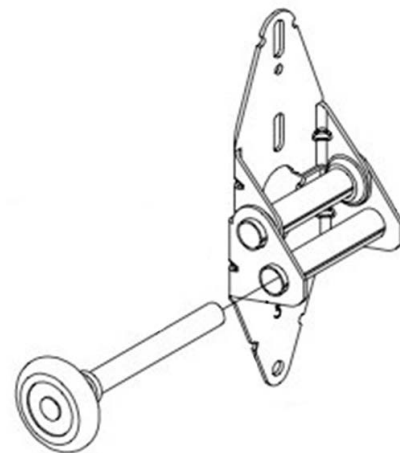
- Read and understand all instructions before you begin work.
- Wear safety goggles and gloves.
- Unplug power door opener and remove opener travel arm from door FIRST.
- Do not remove more than one part at a time.
- Do not attempt to raise or lower door without all components installed and secure.
- This hardware is intended for residential garage doors only.
- If you do not completely understand the installation instructions or are unsure whether the replacement part matches the part to be replaced, contact a professional installer.

Hinge and Top Bracket Replacement/Installation:

1. Close door completely. Keep door closed by fastening "C" clamps on both the left and right door track against the top side of two rollers.
2. Disconnect power and lifting arm of garage door opener.
3. Unbolt hinge from door.
4. Feed roller into new hinge tube farthest from door. Place wheel of roller into track and fasten hinge to door.

Tools Needed:

-  Phillips Screwdriver
-  "C" Clamps
-  Drill
-  Wrench



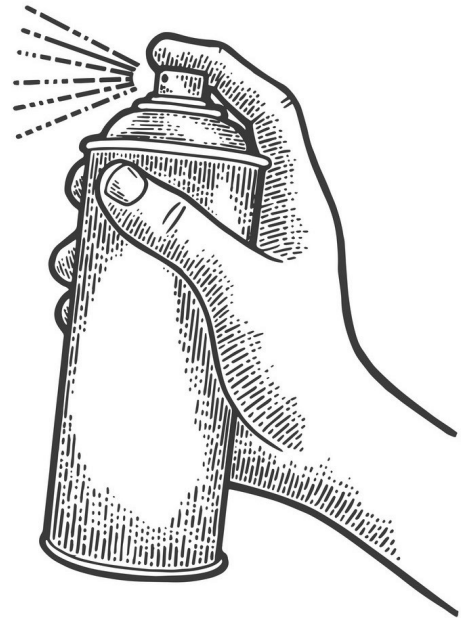
WARNING!

IMPROPER INSTALLATION OR DOOR POSITION CAN RESULT IN SERIOUS INJURY OR DEATH.

- Read and understand all instructions before you begin work.
- Wear safety goggles and gloves.
- Unplug power door opener and remove opener travel arm from door FIRST.
- Do not remove more than one part at a time.
- Do not attempt to raise or lower door without all components installed and secure.
- This hardware is intended for residential garage doors only.
- If you do not completely understand the installation instructions or are unsure whether the replacement part matches the part to be replaced, contact a professional installer.

Lubricant Application:

1. Close the garage door and turn off the power to the opener.
2. Wipe the inside and outside of the tracks with a damp rag to remove dirt and debris. Never use a lubricant on the tracks; this makes it harder for the rollers to move.
3. Open the door and lubricate each of the hinges where they meet the bend of the track.
4. DO NOT lubricate Titan rollers, or any nylon rollers.
5. Lubricate the springs and bearing plates at the top of the garage door. Open and close the door to evenly distribute the grease.
6. Lubricate armbar and lock (if applicable for your door) to make it easier to manually lock the door. Be sure to lubricate the keyhole and large armbar at the top of the door too.
7. Lubricate the top of the rail and spread the grease around with a rag. Do not grease the chain itself.



WARNING!

IMPROPER INSTALLATION OR DOOR POSITION CAN RESULT IN SERIOUS INJURY OR DEATH.

- Read and understand all instructions before you begin work.
- Wear safety goggles and gloves.
- Unplug power door opener and remove opener travel arm from door FIRST.
- Do not remove more than one part at a time.
- Do not attempt to raise or lower door without all components installed and secure.
- This hardware is intended for residential garage doors only.
- If you do not completely understand the installation instructions or are unsure whether the replacement part matches the part to be replaced, contact a professional installer.