

Item #1001 863 391
Model #K9028



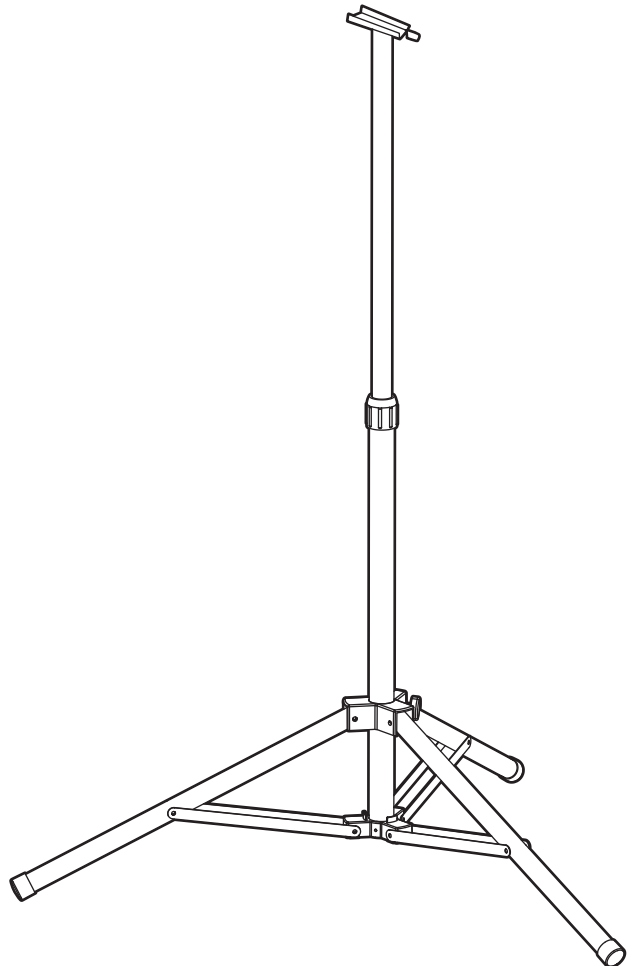
USE AND CARE GUIDE

TRIPOD FOR LED PORTABLE WORKLIGHT

Questions, problems, missing parts?
Before returning to the store, call
Husky Customer Service
8 a.m. - 7 p.m., EST, Monday - Friday
9 a.m. - 6 p.m., EST, Saturday

1-888-HD-HUSKY

HUSKYTOOLS.COM



THANK YOU

We appreciate the trust and confidence you have placed in Husky through the purchase of this single head tripod. We strive to continually create quality products designed to enhance your home. Visit us online to see our full line of products available for your home improvement needs. Thank you for choosing Husky!

Table of Contents

Table of Contents	2	Pre-Assembly	2
Safety Information	2	Assembly	4
Warranty	2	Care and Cleaning	4

Safety Information

Read and understand all Safety and Operating instructions in this manual before using this product. Also refer to the Safety section for your worklight before use.

 **DANGER: BE EXTREMELY CAREFUL WHEN USING THIS DEVICE.**
Improper use with worklight can result in injury or death.

Warranty

The manufacturer warrants the products to be free from defects in materials and workmanship for a period of three (3) years from date of purchase. We take pride in the design and construction of each of our products and work to maintain the quality of our materials and craftsmanship to assure your satisfaction.

If any problems appear, the purchaser may return the item, freight prepaid, together with a copy of your original purchase receipt to place of purchase and it will be replaced with the same or comparable model free of charge. This warranty does not cover fixtures that have been altered in any way; it is void if damage or defect has resulted from accident, abuse, misuse or faulty repair.

In no event will the manufacturer be liable for any incidental or consequential damages. No charge will be acceptable for unauthorized repairs, parts or service. Some states do not allow the exclusion or limitation of incidental or consequential damages, so the above exclusion or limitation of incidental or consequential damages may not apply to you. Legal warranty rights will vary from state to state and you may have other rights.


Contact the Customer Service Team at 1-888-HD-HUSKY or visit www.HUSKYTOOLS.com.

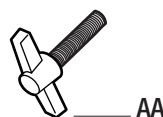
Pre-Assembly

SPECIFICATIONS

Product Weight	4.079 lbs
Product Width	39.37 in.
Product Depth	39.37 in.
Product Height	47.24 in.

HARDWARE INCLUDED

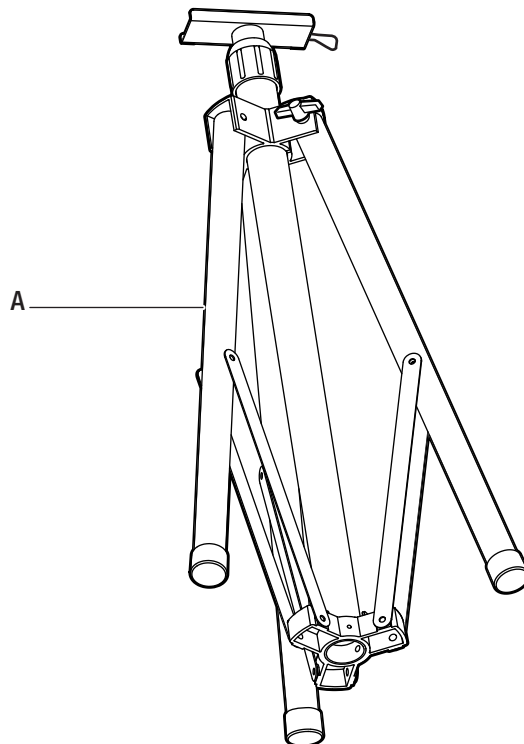
 **NOTE:** Hardware not shown to actual size.



Part	Description	Quantity
AA	Tripod screw	1

Pre-Assembly (continued)

PACKAGE CONTENTS

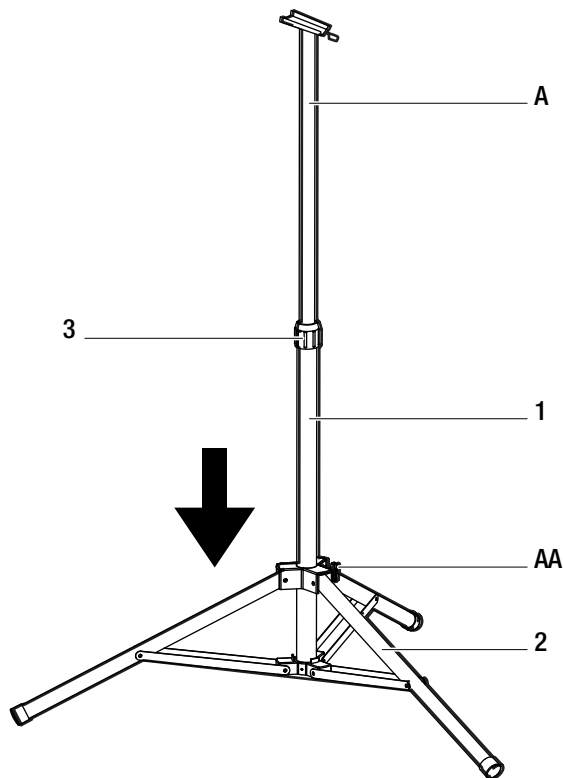


Part	Description	Quantity
A	Tripod	1

Assembly

1 Preparing the tripod

- Loosen the tripod screw (AA) and move the support legs (2) away from the center tube (1) of the tripod (A).
- Push down on the leg connector until the support legs (2) are fully extended and firmly tighten the tripod screw (AA).
- Adjust the height of the tripod (A) by loosening the red twist collar (3) on the center tube (1) and raising the pole section.
- Firmly tighten the twist collar (3) once you have adjusted the tripod (A) to the desired height.
- Tighten the tripod screw (AA) to secure the base of the tripod into position.

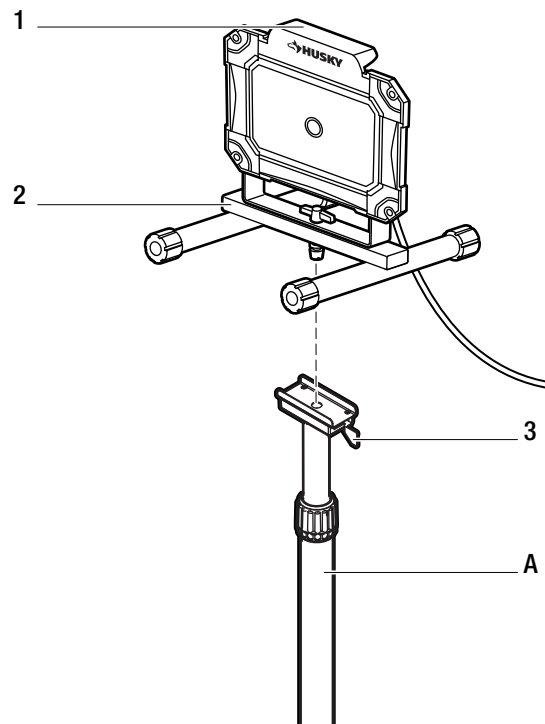


2 Attaching the lamps to the tripod



NOTE: Lamp head and stand sold separately.

- Position the center of the stand (2) over the center of the tripod (A) and insert the post on the bottom of the stand (2) into the top of the tripod (A).
- Push the lever (3) on the tripod (A) to lock the stand (2) in place.
- To unlock the stand (2) from the tripod (A), pull the lever (3) and lift the stand (2) using the central handle (1).



Care and Cleaning



WARNING: Always make sure that the worklight is detached and cooled down before attempting to clean it.

- Clean the tripod regularly with a non-abrasive cleaner.
- Store in a safe and dry place, out of the reach of children.



Questions, problems, missing parts? Before returning to the store,
call Husky Customer Service
8 a.m. - 7 p.m., EST, Monday-Friday
9 a.m. - 6 p.m., EST, Saturday

1-888-HD-HUSKY

HUSKYTOOLS.COM

Retain this manual for future use.