

16583-P



Call Us First!
DO NOT RETURN TO STORE.

For questions on assembly or for general inquiries, you may contact us in the following ways:
Call customer service: **1-877-743-3400**

AVOID THE WAIT!

visit us online at
help.backyardproducts.com

- Submit a help request
- Answers to frequently asked questions
- Live chat with an agent



Did you enjoy building your shed?

JOIN OUR TEAM
AND MAKE UP TO \$1,500/WEEK*

Call a Recruiter Today! 734-365-7000



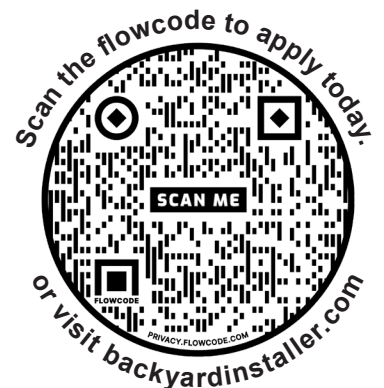
Flexible schedule



No selling,
just building



Bonus incentives
available



*based on number of completed installations

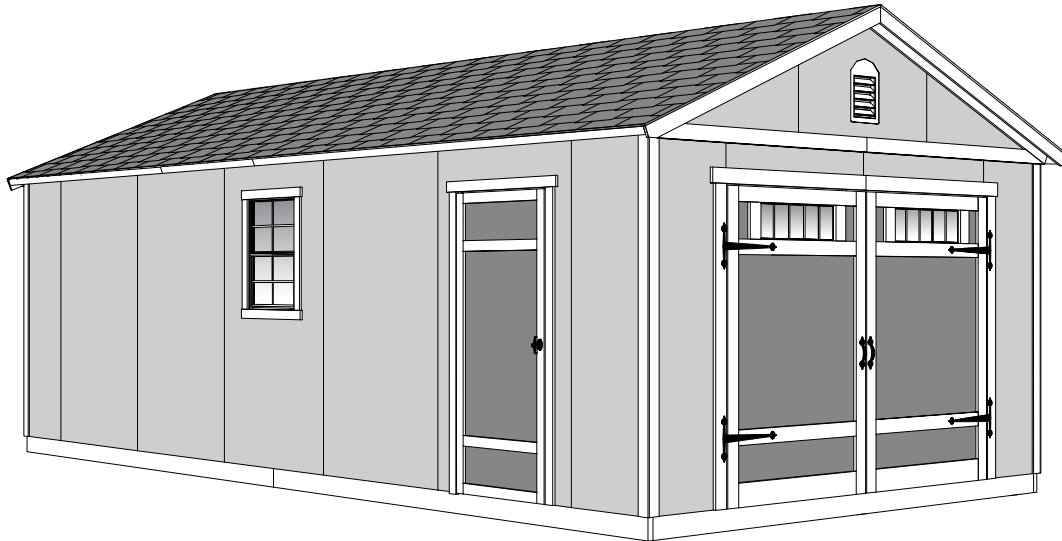
(This page intentionally left blank.)

ASSEMBLY MANUAL

BRAXTON 12' x 24' (365,7 x 731,5 cm)

Actual floor size: 144" x 288" (365,7 x 731,5 cm)

KEEP THIS MANUAL FOR FUTURE REFERENCE



⚠ IMPORTANT! ⚠

READ INSTRUCTIONS THOROUGHLY PRIOR TO BEGINNING ASSEMBLY.

BEFORE YOU BEGIN

- **BUILDING RESTRICTIONS AND APPROVALS**

Be sure to check with local building department and homeowners association for specific restrictions and/ or requirements before building.

- **ENGINEERED DRAWINGS**

Contact our Customer Service Team if engineered drawings are needed to pull local permits.

- **SURFACE PREPARATION**

To ensure proper assembly you must build your shed on a level surface.

Recommended methods and materials to level your shed are listed on page 7.

- **CHECK ALL PARTS**

Inventory all parts listed on pages 14 - 16.

- **ADDITIONAL MATERIALS**

You will need additional materials to complete your shed. See pages 4 - 5 for required and optional materials and quantities.

*****CONTACT OUR CUSTOMER SERVICE TEAM
IF ANY PARTS ARE MISSING OR DAMAGED*****



Call: 1-877-743-3400 email: customerservice@backyardproductsllc.com

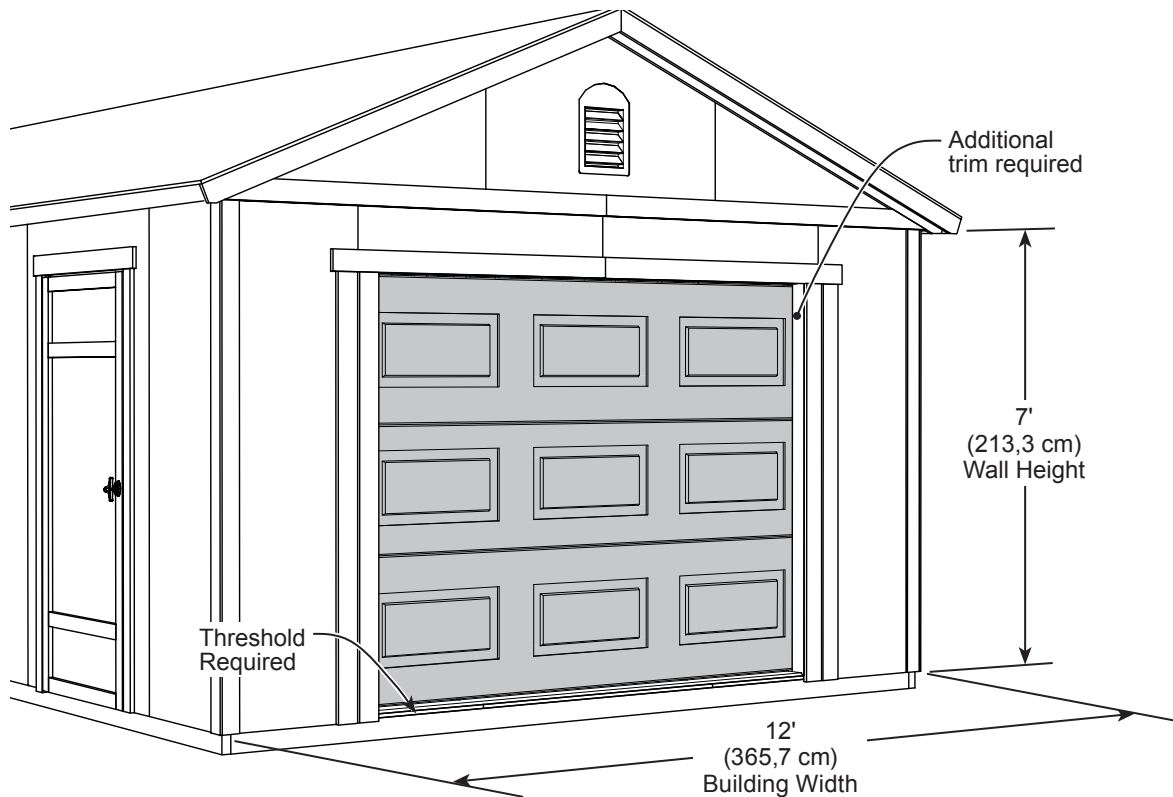


IMPORTANT!



**AN OVERHEAD DOOR IS NOT AVAILABLE FROM YARDLINE!
USE INSTRUCTIONS SUPPLIED WITH THE DOOR MANUFACTURER TO FRAME-IN
YOUR FRONT WALL DOOR OPENING.**

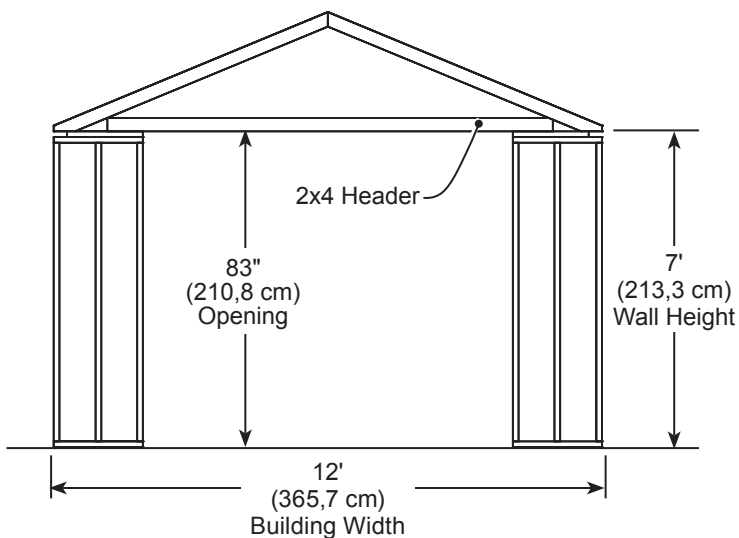
****PROVIDE THIS PAGE TO THE DOOR MANUFACTURER****



Kit door opening is:

97" (246,3 cm) Wide x 69" (175,2 cm) High







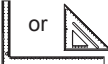








MAX. HEIGHT OF OVERHEAD DOOR IS 7' (213,3 CM)





- If choosing to install a 7' high overhead door, alternate framing is required on this shed (Refer to image on left for dimensions).
- A low headroom overhead door track system may be required.
- Additional trim material is required around the overhead door opening.
- A threshold is required to protect the floor at the door opening (Wood floors only).
- **Follow the door manufacturer's recommendations.**

TOOLS

Required

- Phillips Screwdriver 
- Drill / Driver 
 - 3/8" Drill Bit
 - #2 Philips Drive Bit
- Hammer 
- Level 
- Pencil 
- Tape Measure 
- Square  or 
- Utility Knife 
 - Shingle Blades 
- Caulk Gun 
- Chalk Line 
- Paint Tools 
- Safety Glasses 
- Ladder 

Optional

- Tool Belt/ Nail Pouch 
- Tin Snips (for drip edge) 
- Nail Gun 
 - gun nails
- Gloves 
- Sawsall 

Safety! Always use approved safety glasses during assembly.

HELPFUL REMINDER SYMBOLS

Look for these symbols for helpful reminders throughout this manual.



= Assistance Required; two or more people.



= Ensure squareness.



= Important required step or operation.



= Helpful assembly hint.



= Mark part with pencil.



BEGIN = Beginning of steps for assembly or installation.



FINISH = You have finished the assembly or installation.

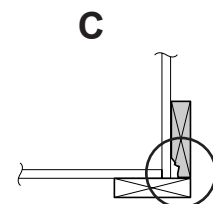
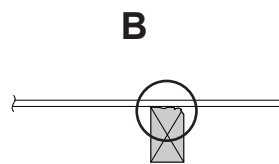
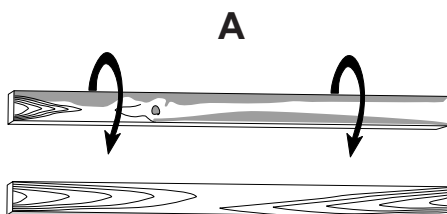


= Level

ORIENT LUMBER AND TRIM FOR BEST APPEARANCE

Framing lumber is graded for structural strength and not appearance. Exterior trim is graded for one good side.

Always install the material leaving the best edge and best surface visible. Please remember that these blemishes in no way negatively affect the strength or integrity of our product. (See Fig. A, B, C.)



ADDITIONAL MATERIALS




THIS KIT DOES NOT INCLUDE ANY FOUNDATION OR FLOOR MATERIALS.



 See **page 5** for a **CONCRETE FOUNDATION** option.

 See **pages 6 to 13** for a **WOOD FLOOR** framing option.

 See the **FLOOR LEVELING** section on **page 7** for recommended methods and suggested materials to properly level your framed floor, as this will vary depending on your specific site.

COMPLETING YOUR SHED

You will need these additional materials:

PAINT FOR SIDING (Gallons)..... 4 gal.
Use 100% acrylic latex exterior paint.
(2) coats recommended.

PAINT FOR TRIM 1 Gallon
Use 100% acrylic latex exterior paint.

We recommend painting overhang trim parts before installing (see pages 55 - 61).

3-TAB SHINGLES (Bundles)..... 14

CAULK 7 Tubes
Use acrylic latex exterior caulk that is paintable.

1" GALVANIZED ROOFING NAILS(lbs). 5 lbs
For shingles.

WOOD GLUE Exterior Rated

DRIP EDGE (Feet)..... 80'
Drip edge must be installed to validate warranty.

OPTIONAL MATERIALS

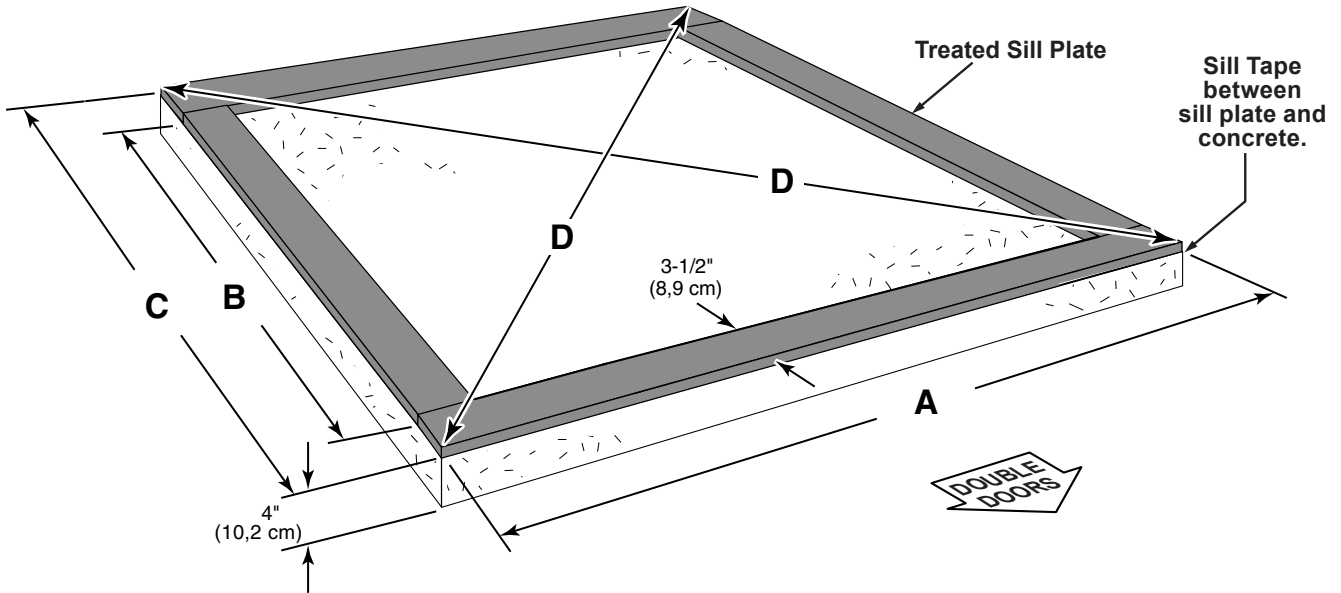
#15 ROOFING FELT (Sq ft. to cover)..... 432'

1" GALVANIZED ROOFING NAILS(lbs).... 1 lb
For roofing felt.

REFER TO THE BACK OF THIS MANUAL AND THE MANUFACTURER'S INSTRUCTIONS FOR INSTALLATION OF SHINGLES, DRIP EDGE AND FELT.

CONCRETE FOUNDATION

If you choose to install your kit on a concrete slab refer to the diagram below.
Attach the sill plates on the foundation as shown, and continue on to page 13.



⚠ Sill plates **MUST** be treated lumber.

Building Size	Actual Floor Size	A	B	C	D
12'x 24' (365,8 x 609,6 cm)	12'x 24' (365,8 x 609,6 cm)	144" (365,8 cm)	281" (713,7 cm)	288" (731,5 cm)	322" (817,9 cm)

12' x 24' Building Requires:

x6 2 x 4 x 12' (5,1 x 10,2 x 365,8 cm)

x3 Caulk

72' (21,9 m) Foam Sill Tape

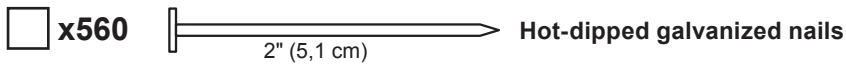
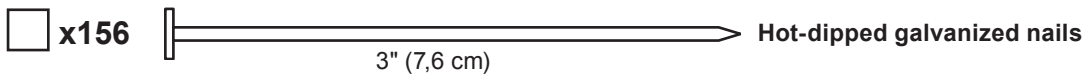
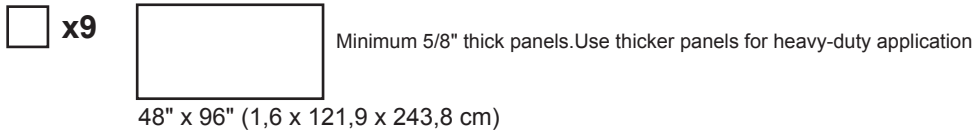
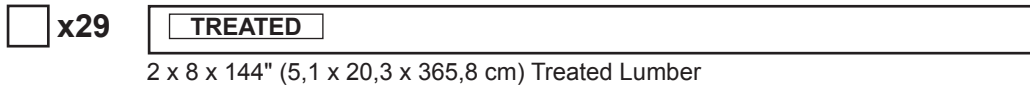
⚠ Allow new concrete slabs to cure for at least seven (7) days.

- A treated 2 x 4 (5,1 x 10,2 cm) sill plate is required when installing your shed on concrete.
Purchase full length treated lumber, or butt shorter pieces end-to-end and seal seams with caulk.
- Use a high quality exterior grade caulk beneath all sill plates or use sill tape.
- Fasten 2 x 4 (5,1 x 10,2 cm) sill plates to slab using approved concrete anchors (fasteners not included).

⚠ **NOTE:** When sill tape is used, there will be a visible 1/2" gap beneath the sill plate as well as under the door sill.
The 1/2" gap between the sill plate and the concrete will be visible after the siding is installed.

**ALWAYS CHECK WITH LOCAL BUILDING CODES FOR CONCRETE SLABS
BEFORE BEGINNING CONCRETE FLOOR.**

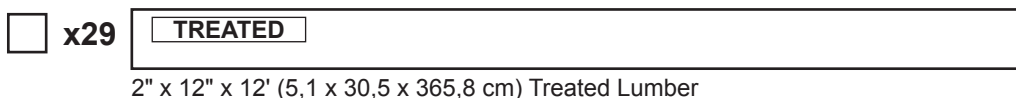
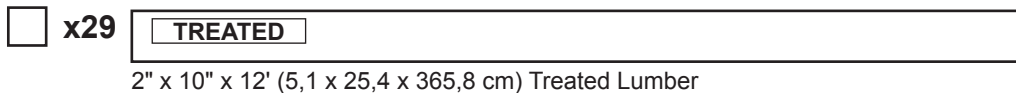
WOOD FLOOR MATERIAL LIST (NOT INCLUDED)



REINFORCED WOOD FLOOR FRAME

NOTE: Depending upon the weight of items you will be storing on your wood floor, you may choose to use **2"x 10"x 12'** or **2"x 12"x 12'** treated lumber for increased floor strength.

REINFORCED FLOOR FRAME MATERIALS LIST

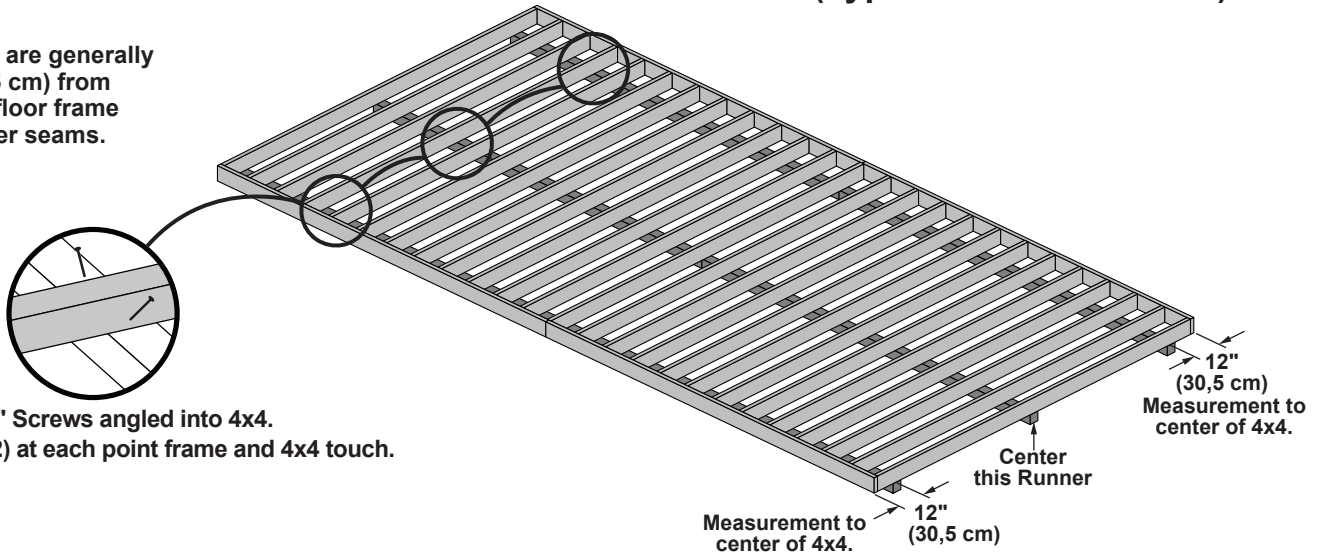


WOOD FRAME FLOOR LEVELING OPTIONS

There are multiple ways to level your floor frame. Our recommended leveling method is shown below.
Leveling materials are not included in this kit.

PREFERRED METHOD - 4x4 TREATED RUNNERS (Typical for 12' x 24' Kit)

Runners are generally 12" (30,5 cm) from ends of floor frame and under seams.



- 3" Screws angled into 4x4.
- (2) at each point frame and 4x4 touch.

! FLOOR FRAME NOT INCLUDED

MATERIAL REQUIRED

12' x 24' x6 4 x 4 x 12' (10,2 x 10,2 x 305 cm)
Treated Lumber

Fasteners for Frame to 4x4.

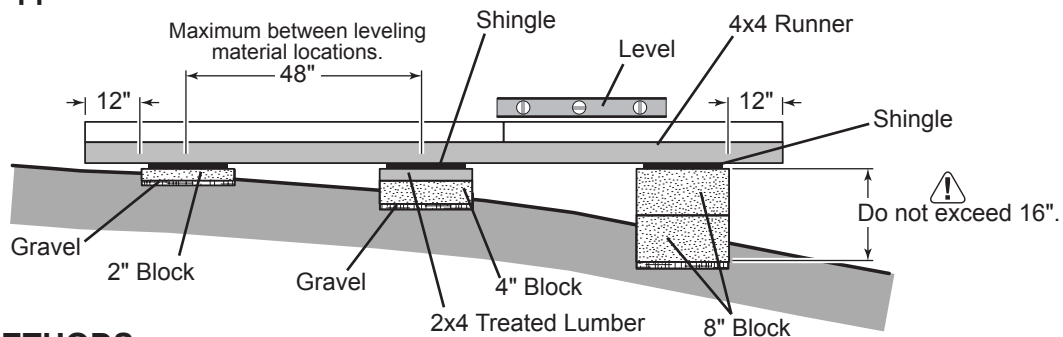
(3" Screws shown as one option.)

Minimum 3" screws / exterior grade.

x150  3" (7,6 cm)

! Use only wood treated for ground contact and fasteners approved for use with treated wood.

! Always support frame seams.



LEVELING METHODS

- Level under 4x4 runners only.
- Locate leveling material 12" from ends of runners and no more than 48" apart.
- Asphalt shingles should be used between 4x4 runners and blocks or treated lumber. Never use shingles in direct contact with ground.
- For best results and aiding in water drainage use gravel under each concrete block.

LEVELING MATERIALS

- Gravel
- Solid Masonry Blocks in 1", 2", 4" or 8" thickness
- 2x4 Treated Lumber
- Asphalt Shingles

! Leveling higher than 16" not recommended.

STOP!



LEVEL AND SQUARE FLOOR FRAME



STOP!

Before attaching floor decking, it is important to level and square the floor frame. A level and square floor frame is required to correctly construct your shed. (Floor frame and decking not included.)

BEGIN

- 1 See page 7 for the preferred floor leveling method.
- 2 Use a level and check that the frame is level before applying floor panels.
- 3 Check for frame squareness by measuring diagonally across corners. If the measurements are the same, the frame is square. The diagonal measurement will be approximately **322" (817,9 cm)**.
- 4 When the frame is level and square, secure one side of frame to the 4x4 runners using one fastener at ends of each runner (**Fig. A**).

At the opposite end of the frame, secure the frame to 4x4 runners using one fastener at ends of each runner making sure the frame remains square (**Fig. A**).

First, secure at ends using one fastener.

Fig. A

- 3" Screws angled into 4x4.
- (2) screws at each point of the frame and where the 4x4's touch.

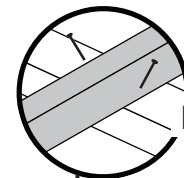
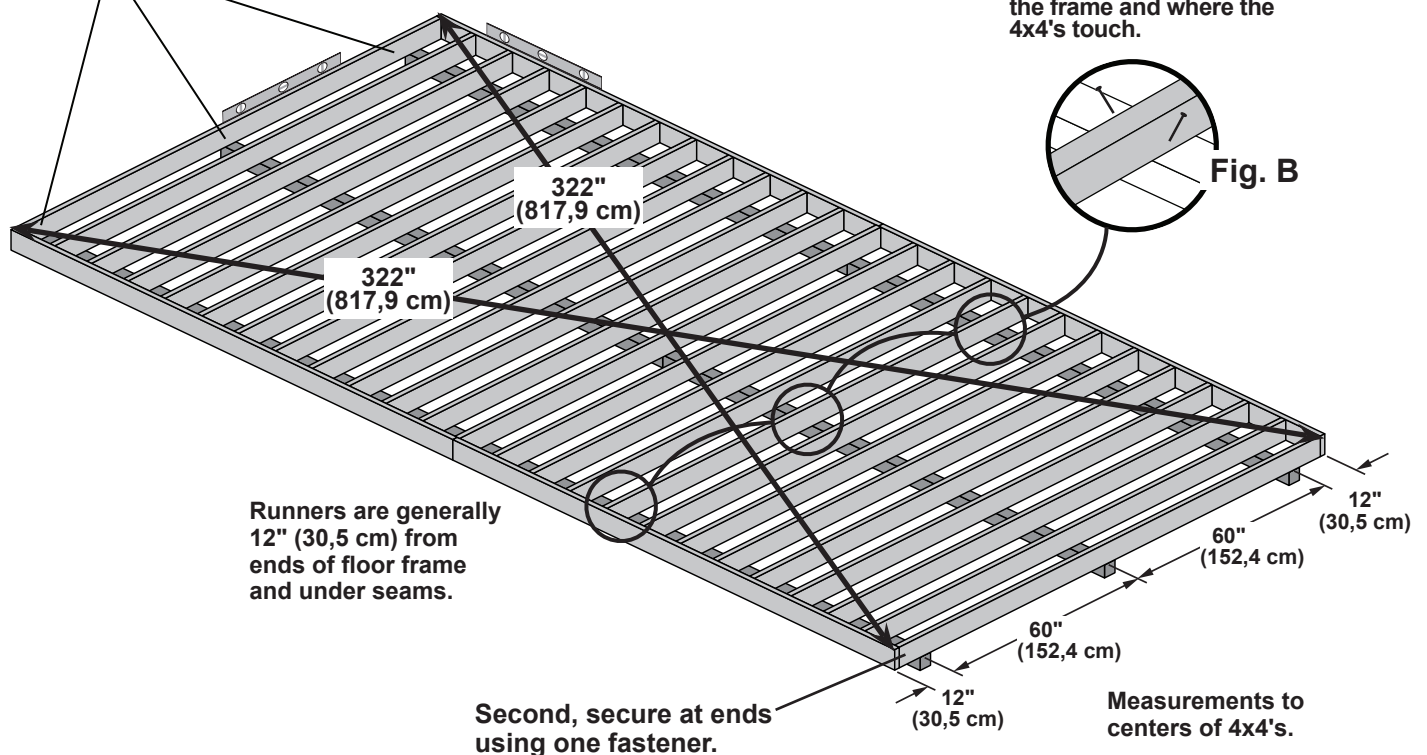


Fig. B

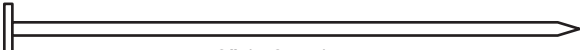


FINISH

Once the floor frame is level and square, fasten the frame at each point the frame contacts the 4x4 runners (**Fig. B**).

FLOOR FRAME

PARTS REQUIRED:

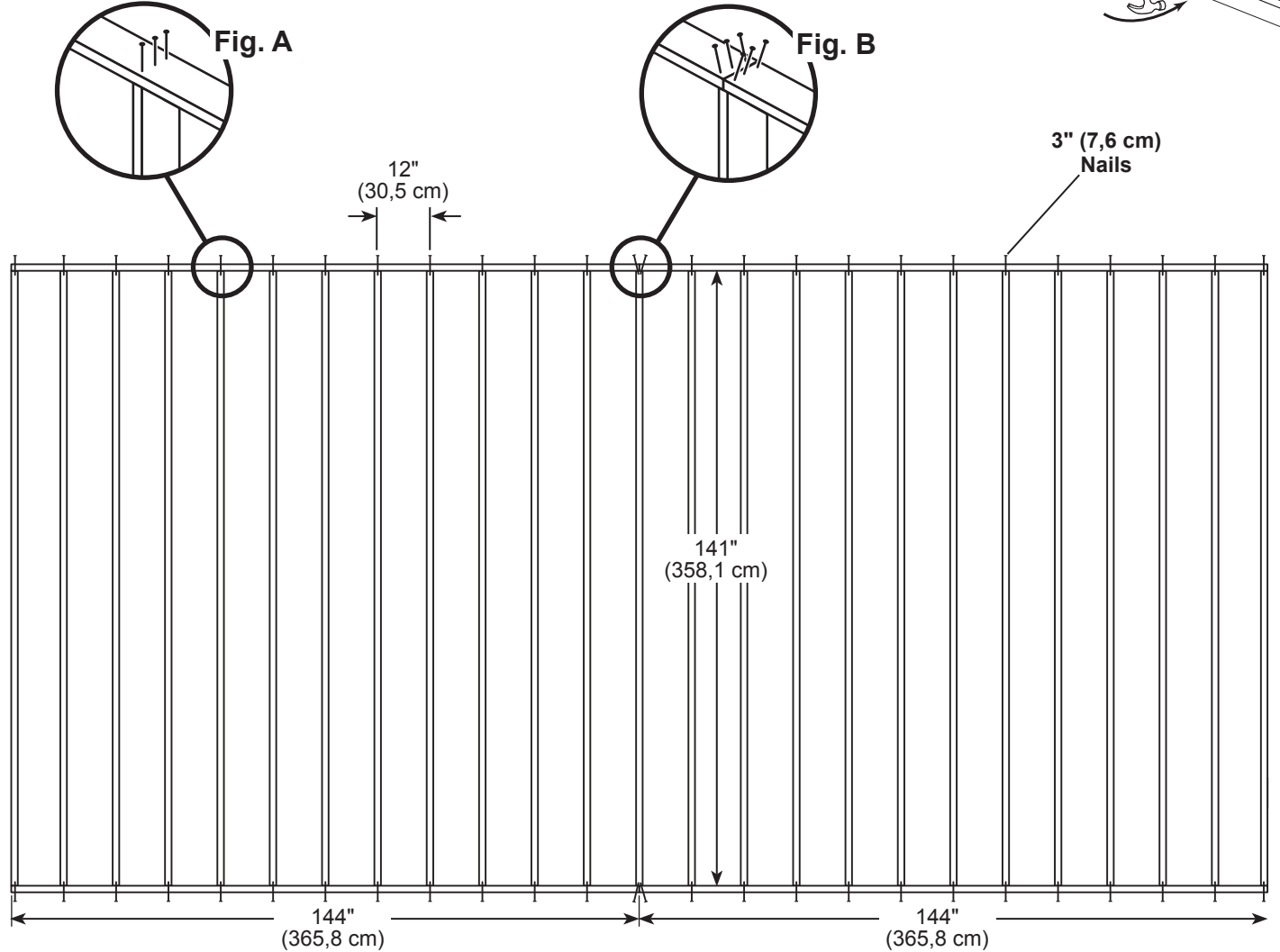
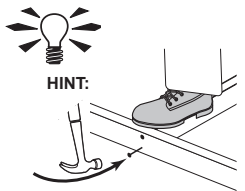
x156  3" (7,6 cm)

x29 **TREATED** 
2 x 8 x 144" (5,1 x 20,3 x 365,8 cm)

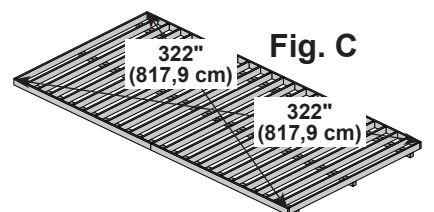


✓ BEGIN

- 1 Cut 25 floor joists down to 141".
- 2 Install floor joists 12 on center, as shown.
Nail using (3) 3" nails at each location (**Fig. A**). Use (6) 3" nails at seams (**Fig. B**).




- 3 Check the floor frame is square by measuring diagonally across the frame corners. If the measurements are the same your floor frame is square. The measurement will be approximately 322" (**Fig. C**).



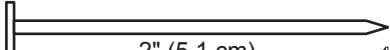




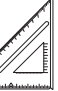
You have finished assembling your floor frame.

FLOOR PANELS

PARTS REQUIRED:

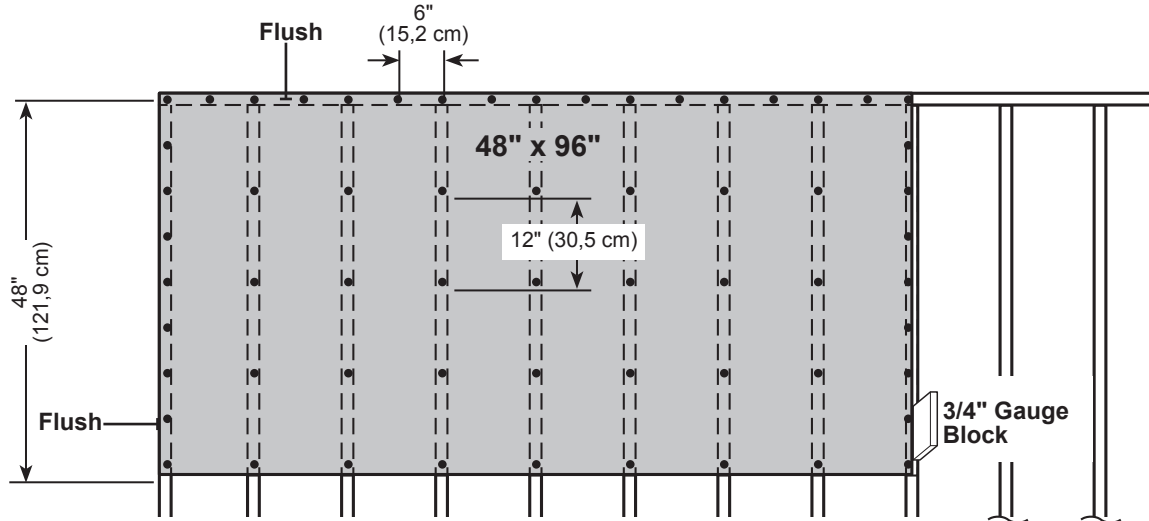
x3  3/4" x 48" x 96"
(1,9 x 121,9 x 243,8 cm)

 **GAA**
3/4"
GAUGE BLOCK

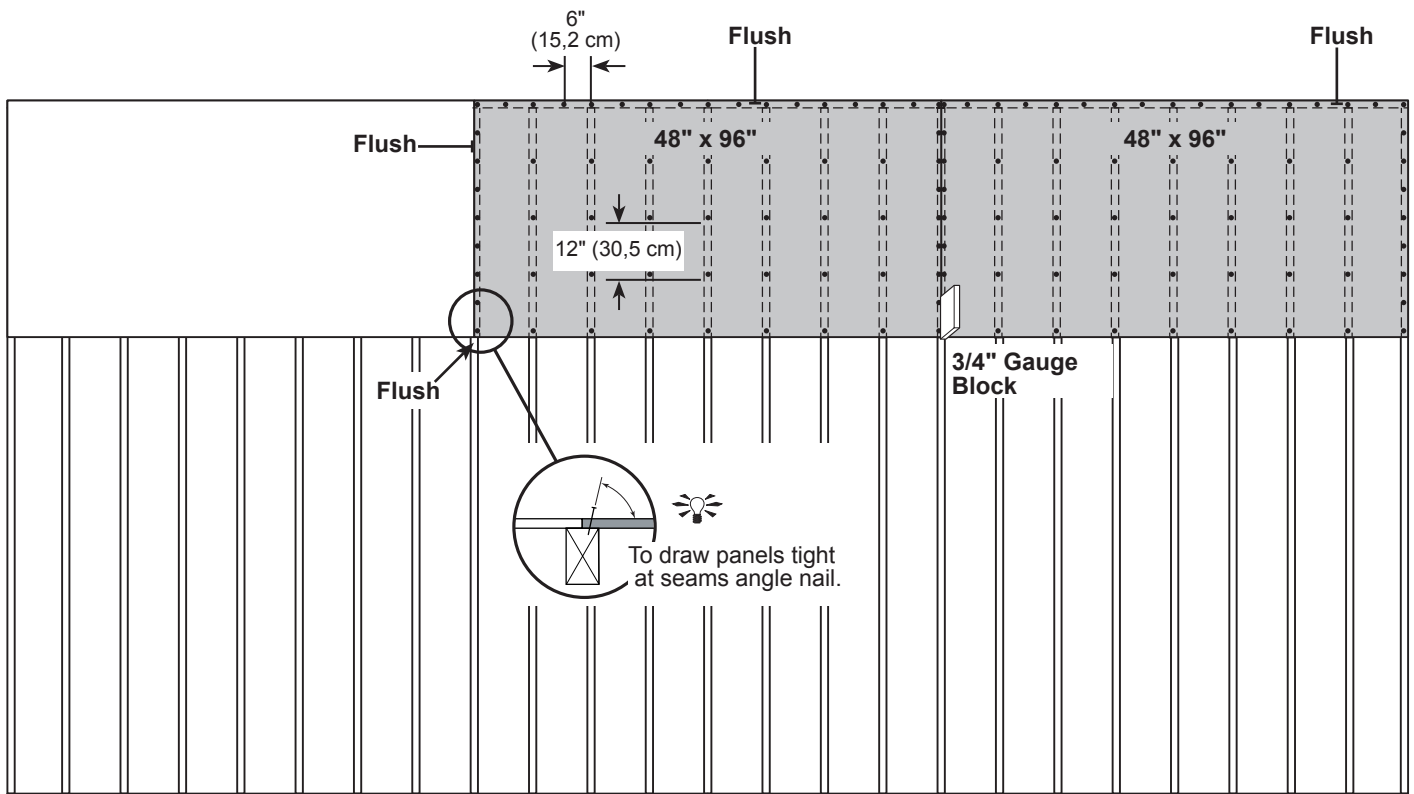
x183  2" (5,1 cm)
    

✓ BEGIN

- 1 Install a 48 x 96" panel flush to the outside edges of the floor frame.
Use **GAA** gauge block to maintain 3/4" on floor joist.
Secure panel using 2" nails 6" apart on edges and 12" apart inside panel.



- 2 Install next two 48 x 96" panels on frame and flush to the installed panel and outside of frame.
Use **GAA** gauge block to maintain 3/4" on floor joist.
Secure panel using 2" nails 6" apart on edges and 12" apart inside panel.



FLOOR PANELS

PARTS REQUIRED:

x3



3/4" x 48" x 96"
(1,9 x 121,9 x 243,8 cm)

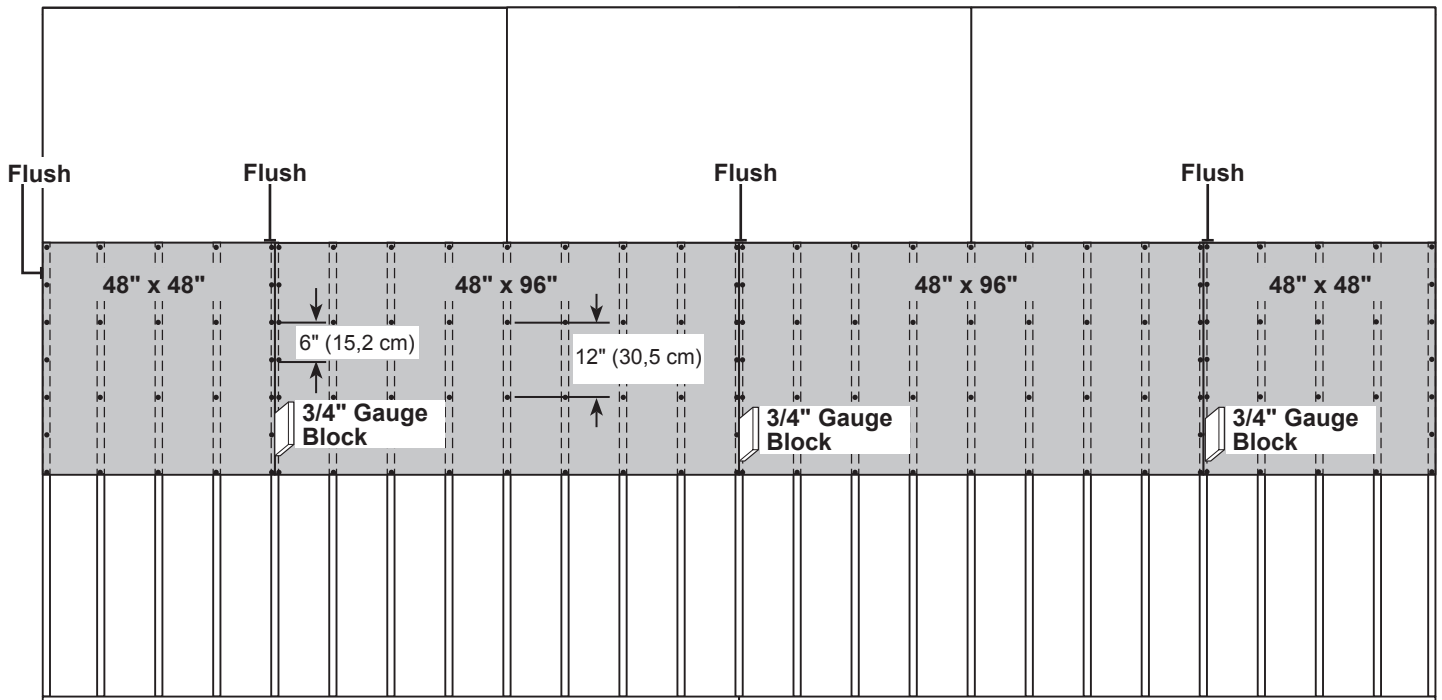


3/4"
GAUGE BLOCK

x188 2" (5,1 cm)



- 3 Cut one (1) **48 x 96"** panel in half to get two **48 x 48"** panels. These panels are cut so that all floor panels are staggered.
- 4 Install **48 x 48"** panel flush to the outside edge of the floor frame and flush to the installed panel. Use **GAA** gauge block to maintain 3/4" on floor joist. Secure panel using 2" nails 6" apart on edges and 12" apart inside panel.
- 5 Install next two **48 x 96"** panels and final **48 x 48"** panel on frame, flush to the installed panels. Use **GAA** gauge block to maintain 3/4" on floor joist. Secure panels using 2" nails 6" apart on edges and 12" apart inside panel.



FLOOR PANELS

PARTS REQUIRED:

x3

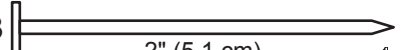


3/4" x 48" x 96"
(1,9 x 121,9 x 243,8 cm)



3/4"
GAUGE BLOCK

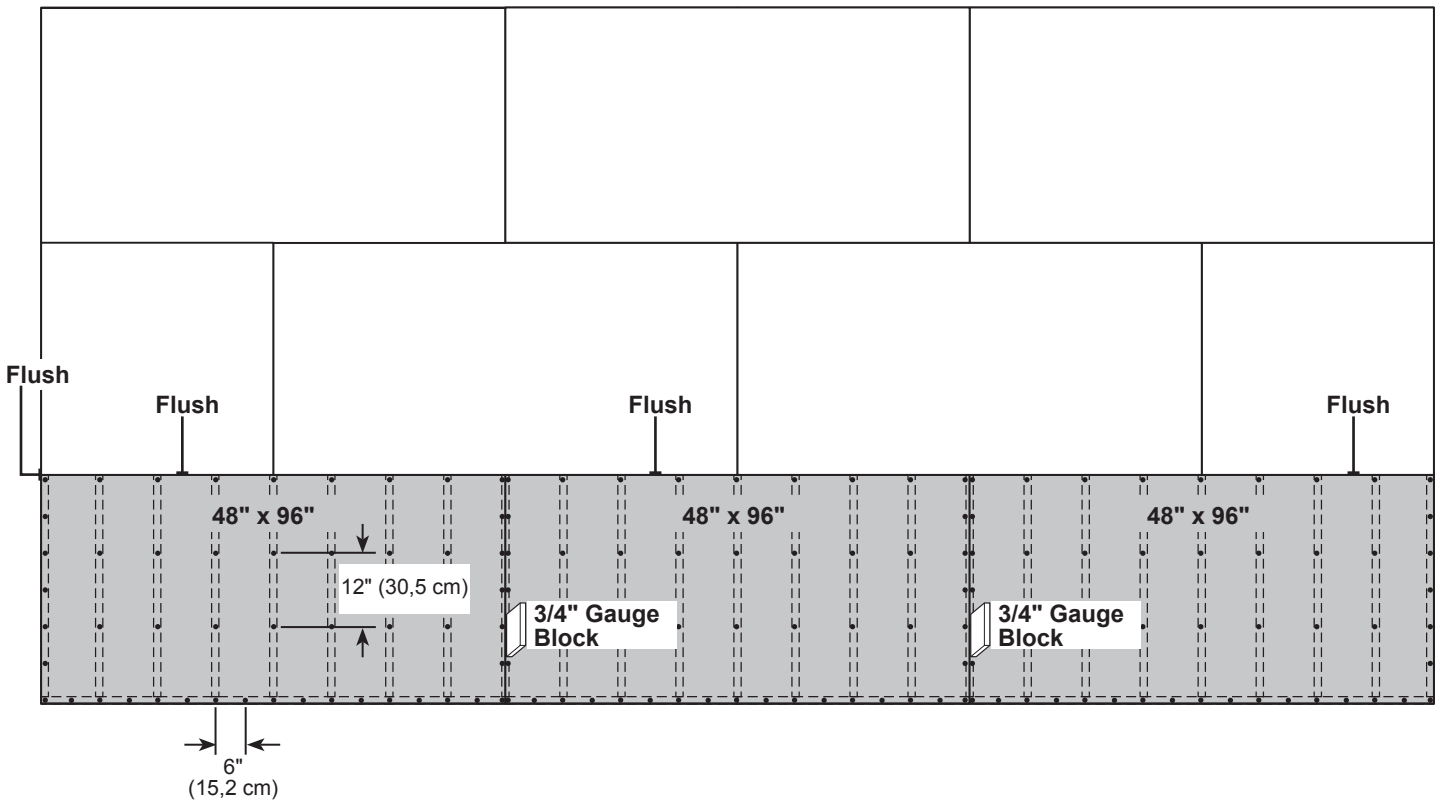
x183



2" (5,1 cm)



- 6** Install last three **48 x 96"** floor panels on frame, flush to the outside edge of the floor frame and flush to installed panels. Use **GAA** gauge block to maintain 3/4" on floor joists. Secure panels using 2" nails 6" apart on edges and 12" apart inside panel.

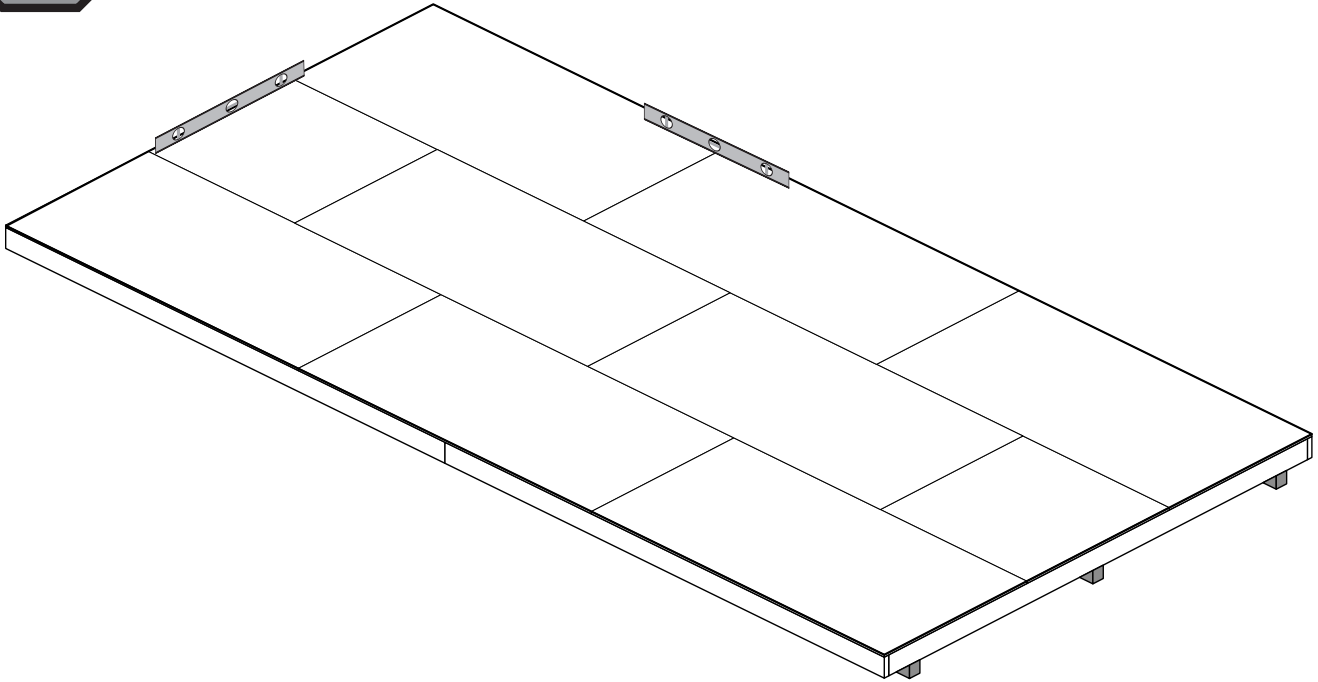


You have finished building your floor.

! IMPORTANT!

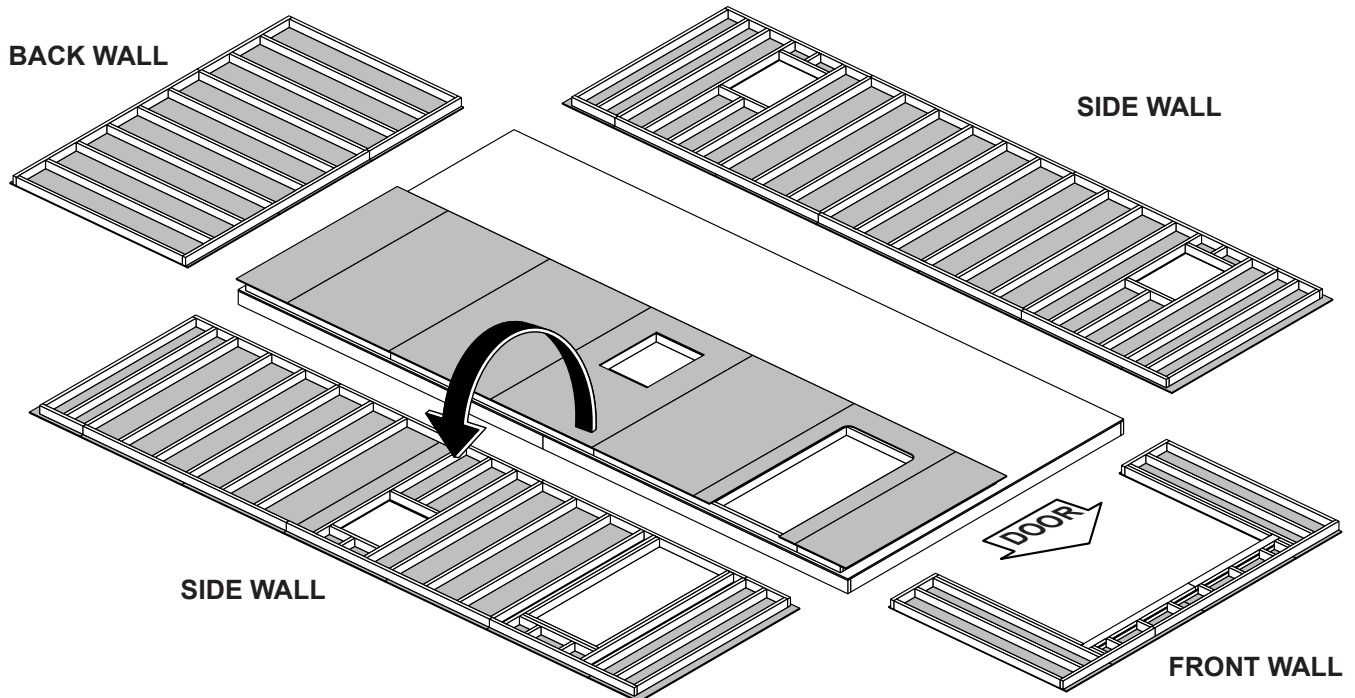


Check the floor frame is level after installing floor panels. Re-level if needed.



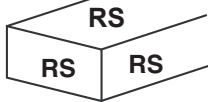
HINT:

- The floor should be used as a stable work surface for wall construction.
- Organize your assembly procedure during the build process to avoid over-handling of the walls.



PARTS IDENTIFICATION AND SIZES

Letter part identification is stamped on some parts.



• Check these locations for part stamp.

WOOD SIZE CONVERSION CHART	
Nominal Board Size	Actual Size
2 x 4	1-1/2" x 3-1/2" (3,8 x 8,9 cm)
1 x 4	3/4" x 3-1/2" (1,9 x 8,9 cm)
2 x 3	1-1/2" x 2-1/2" (3,8 x 6,3 cm)
1 x 3	3/4" x 2-1/2" (3,8 x 6,3 cm)

12x24'

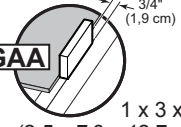


GABLE 12' x 24' PARTS LIST


INVENTORY YOUR PARTS before you begin.

We suggest sorting parts by the category they are listed in.

WALL

- | | | | |
|------------------------------|--|------------------------------|--|
| <input type="checkbox"/> x4 | TTA 2 x 4 x 23" (5,1 x 10,2 x 58,4 cm) | <input type="checkbox"/> x10 | UY 2 x 4 x 6-1/2" (5,1 x 10,2 x 16,5 cm) |
| <input type="checkbox"/> x4 | RP 2 x 4 x 20-1/2" (5,1 x 10,2 x 52,1 cm) | <input type="checkbox"/> x5 | AL 2 x 4 x 7" (5,1 x 10,2 x 17,8 cm) |
| <input type="checkbox"/> x6 | AO 2 x 4 x 22-1/2" (5,1 x 10,2 x 57,1 cm) | <input type="checkbox"/> x2 | CHC 2 x 4 x 16-1/8" (5,1 x 10,2 x 41 cm) |
| <input type="checkbox"/> x2 | JYA 2 x 4 x 23-7/16" (5,1 x 10,2 x 59,5 cm) | | |
| <input type="checkbox"/> x2 | QT 2 x 4 x 35" (5,1 x 10,2 x 88,9 cm) | | |
| <input type="checkbox"/> x3 | PZA 2 x 4 x 38-1/2" (5,1 x 10,2 x 112,1 cm) | <input type="checkbox"/> x1 | GAA  |
| <input type="checkbox"/> x2 | STL 2 x 4 x 44-1/2" (5,1 x 10,2 x 113 cm) | | 1 x 3 x 5"
(2,5 x 7,6 x 12,7 cm)
Gauge Block
for 3/4" (1,9 cm)
measurement |
| <input type="checkbox"/> x3 | SP 2 x 4 x 48" (5,1 x 10,2 x 121,9 cm) | | |
| <input type="checkbox"/> x8 | YFA 2 x 4 x 68-1/2" (5,1 x 10,2 x 174 cm) | | |
| <input type="checkbox"/> x56 | AI 2 x 4 x 78-1/2" (5,1 x 10,2 x 199,4 cm) | | |
| <input type="checkbox"/> x2 | TO 2 x 4 x 84" (5,1 x 10,2 x 213,4 cm) | | |
| <input type="checkbox"/> x2 | UL 2 x 4 x 92-5/8" (5,1 x 10,2 x 235,3 cm) | | |
| <input type="checkbox"/> x22 | TP 2 x 4 x 96" (5,1 x 10,2 x 243,9 cm) | | |
| <input type="checkbox"/> x1 | 7/16" x 3" x 96" (1,1 x 7,6 x 243,9 cm) OSB | | |

ROOF

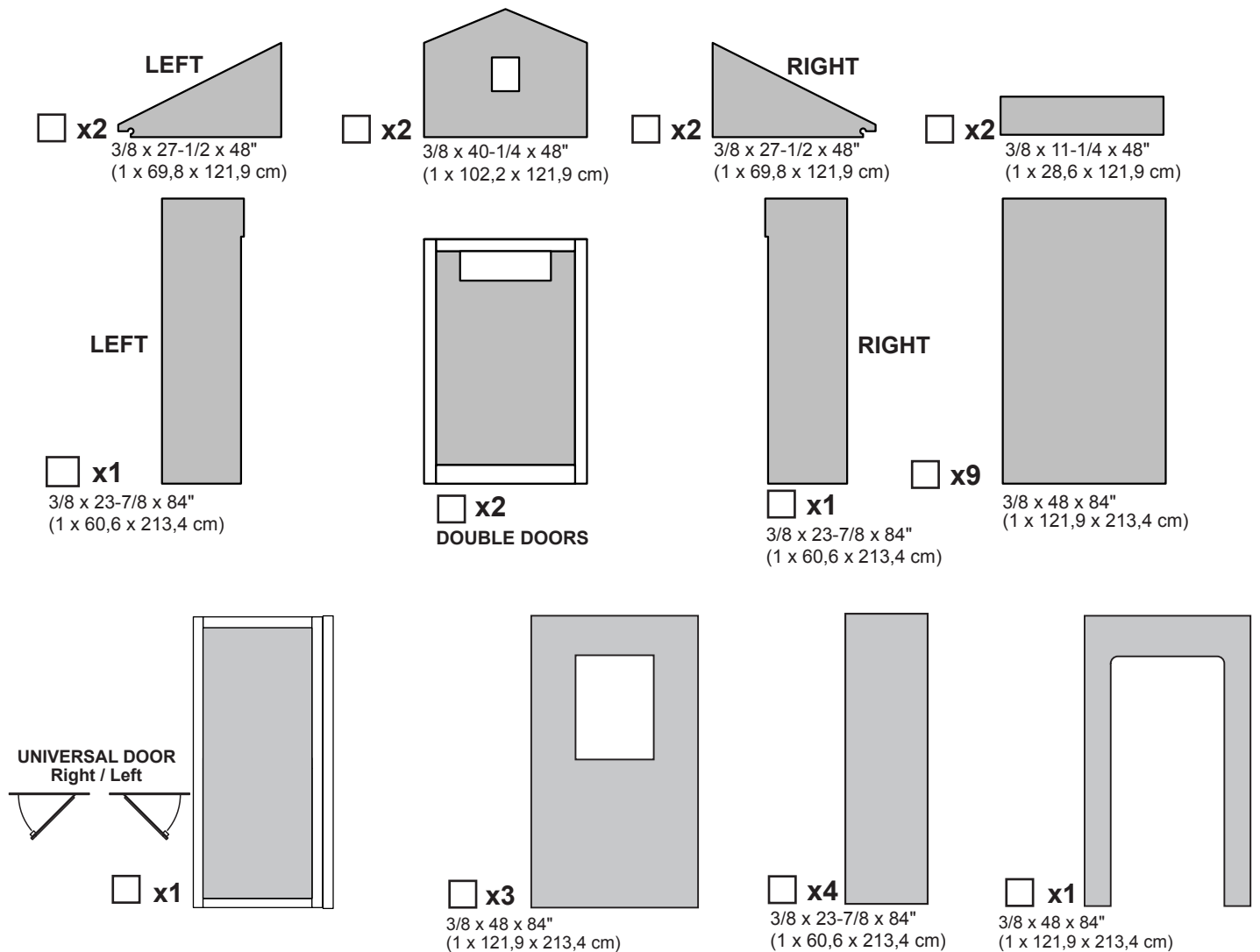
- | | |
|------------------------------|--|
| <input type="checkbox"/> x24 |  6 x 24" (15,2 x 61 cm) |
| <input type="checkbox"/> x26 | XYA 2 x 4 x 81-7/8" (5,1 x 10,2 x 208 cm) |

TRIM

- | | |
|------------------------------|---|
| <input type="checkbox"/> x6 | ROR 19/32" x 2-1/2" x 28-1/2" (1,5 x 6,3 x 72,4 cm) |
| <input type="checkbox"/> x6 | AZ 19/32" x 2-1/2" x 30-1/8" (1,5 x 6,3 x 76,5 cm) |
| <input type="checkbox"/> x1 | GEA 19/32" x 2-1/2" x 39-3/8" (1,5 x 6,3 x 100 cm) |
| <input type="checkbox"/> x2 | 3/8" x 3" x 43-1/8" (1 x 7,6 x 109,5 cm) |
| <input type="checkbox"/> x2 | HAB 19/32" x 3-1/2" x 53" (1,5 x 8,9 x 134,6 cm) |
| <input type="checkbox"/> x10 | ROS 4/4 x 5-1/2" x 57-15/16" (2,5 x 14,0 x 147,2 cm) |
| <input type="checkbox"/> x2 | ERR 19/32" x 3-1/2" x 69-15/16" (1,5 x 8,9 x 177,6 cm) |
| <input type="checkbox"/> x2 | ERL 19/32" x 3-1/2" x 69-15/16" (1,5 x 8,9 x 177,6 cm) |
| <input type="checkbox"/> x14 | 3/8 x 3" x 83-1/2" (1 x 7,6 x 212,1 cm) |
| <input type="checkbox"/> x2 | ITQA 2 x 4 x 88-1/8" (5,1 x 10,2 x 223,8 cm) |
| <input type="checkbox"/> x1 | ULL 19/32" x 3-1/2" x 88-1/8" (1,5 x 8,9 x 223,8 cm) |
| <input type="checkbox"/> x1 | ULR 19/32" x 3-1/2" x 88-1/8" (1,5 x 8,9 x 223,8 cm) |
| <input type="checkbox"/> x2 | YRL 19/32" x 3-1/2" x 88-1/2" (1,5 x 8,9 x 224,8 cm) |
| <input type="checkbox"/> x2 | YRR 19/32" x 3-1/2" x 88-1/2" (1,5 x 8,9 x 224,8 cm) |

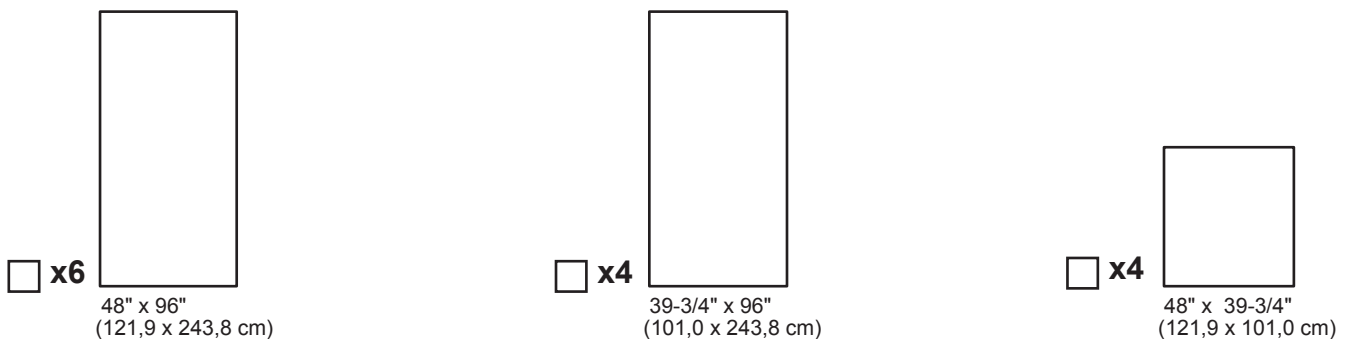
WALL PANELS & DOORS

NOTE: Panel parts are not stamped with part identification.



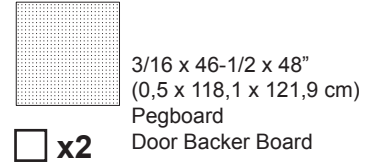
ROOF PANELS

Roof panels are 7/16" (1,1 cm) thick.



DOOR PARTS LIST

- x4** **FTA** 19/32" x 3-1/2" x 8-3/8" (1,5 x 8,9 x 16,5 cm)
- x2** **AH** 19/32" x 2-1/2" x 26-5/8" (3,2 x 6,3 x 67,6 cm)
- x4** **NSA** 19/32" x 3-1/2" x 41" (1,5 x 8,9 x 104,1 cm)
- x4** **SPA** 41-1/2" Door Stiffener (105,4 cm)
- x1** 3/8 x 1-5/8 x 69" (1 x 4,1 x 175,3 cm)
- x5** **OO** 69" Door Stiffener (175,3 cm)
- x4** **XSA** 1 x 3 x 69-3/4" (2,5 x 7,6 x 177,2 cm)
- x1** **ZJ** 19/32" x 2-1/2" x 72" (1,5 x 6,3 x 182,9 cm)
- x2** **ZP** 19/32" x 3-1/2" x 72-3/8" (1,5 x 8,9 x 183,8 cm)



NAIL BOXES (Shown Actual Size)

- x10** **BOXES** 3" (7,6 cm)
- x10** **BOXES** 2" (5,1 cm)

FASTENER/HARDWARE & ACCESSORIES

- x320** 2" (5,1 cm)
- x140** 3" (7,6 cm)
- x80** 2" (5,1 cm)
- x42** 1-1/4" (3,2 cm)
- x95** 1" (2,5 cm)
- x120** 3/4" (1,9 cm)
- x8** 1" (2,5 cm)
- x85** 1-1/2" (3,8 cm)
- x15** 1-5/8" (4,1 cm)

x3 Window

x2 Handle

x24 Washer
5/16" (0,8 cm)

x4 Hinge

x12 2" (5,1 cm)

x12 3" (7,6 cm)

x2 Vent

x1 Latch

x2 Hook & Eyes

x1 Handle

x2 1-1/2" (3,8 cm)

x2 Spring Barrel Bolt

x8 1" (2,5 cm)

x2 Window

x1 Handle

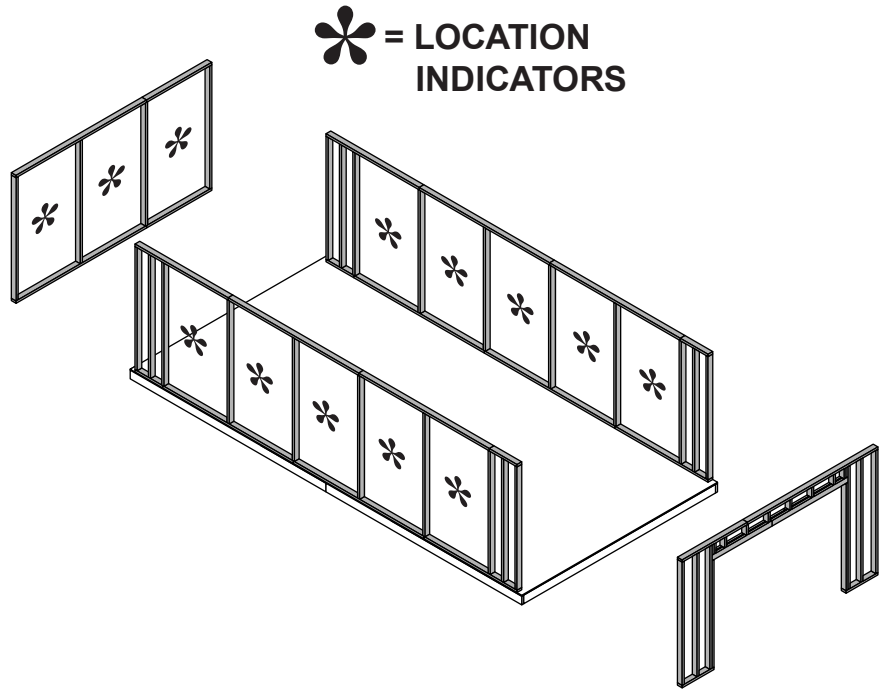
x2 1-1/2" (3,8 cm)

x2 Spring Barrel Bolt

x8 1" (2,5 cm)

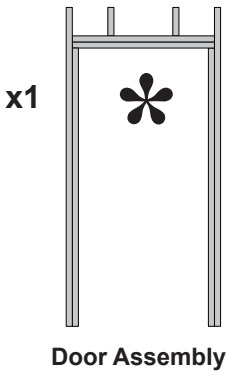
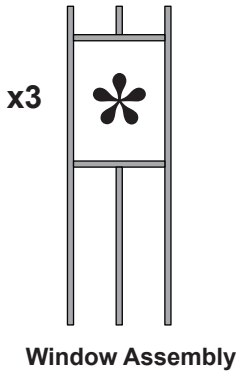


You have the opportunity to customize the look of your new Garage by putting the door and window assemblies in any of the locations shown below.



Consider the property constraints, privacy requirements and utilization of best views when determining your side door and window locations.

Your next step will be to build the door and window assemblies shown below.

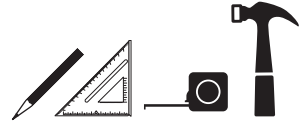
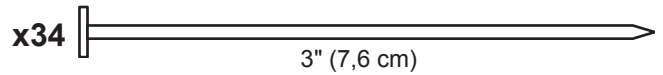


As you begin to construct your walls, look for the location indicator in the instructions to reflect on your window and door assembly placement options.

DOOR FRAME

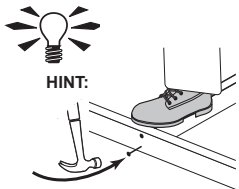
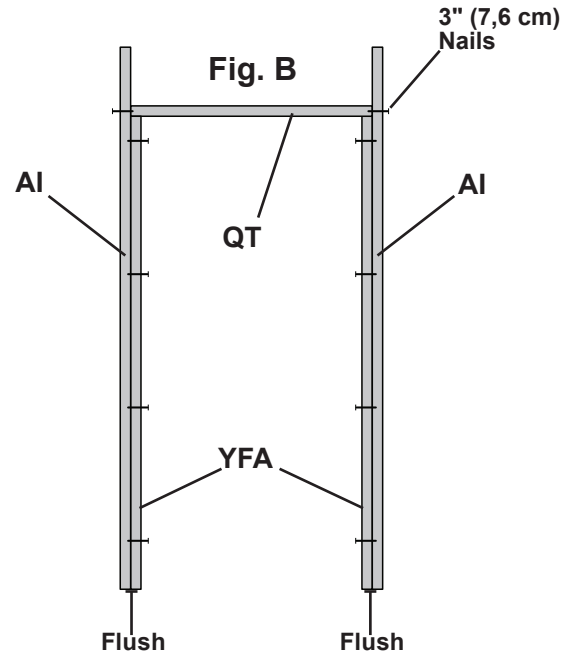
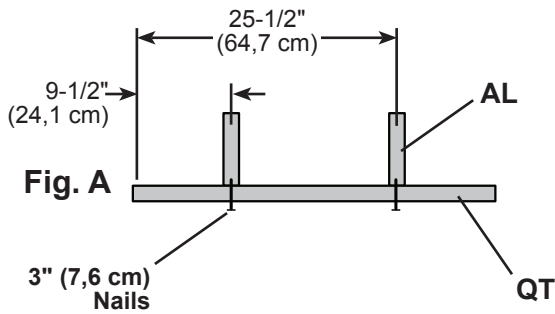
PARTS REQUIRED:

- x2 **AL**
2 x 4 x 7" (5,1 x 10,2 x 17,8 cm)
- x2 **QT**
2 x 4 x 35" (5,1 x 10,2 x 88,9 cm)
- x2 **YFA**
2 x 4 x 68-1/2" (5,1 x 10,2 x 174 cm)
- x2 **AI**
2 x 4 x 78-1/2" (5,1 x 10,2 x 199,4 cm)

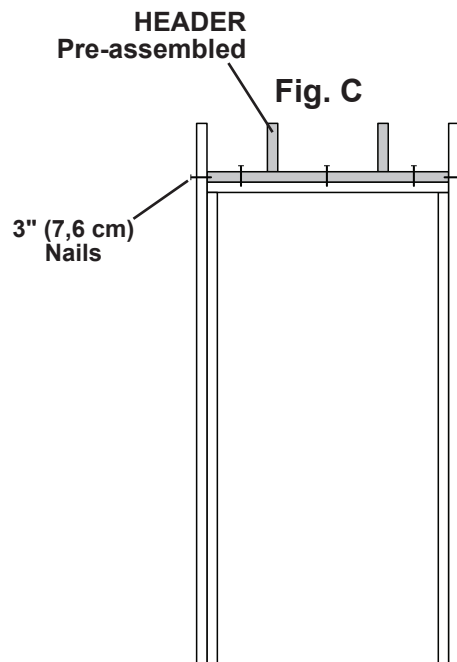


✓ BEGIN

- 1 Orient parts on edge on floor as shown.
- 2 Nail using (2) 3" nails at each location (Fig. A, Fig. B).



- 3 Assemble header to frame using (2) 3" nails at each location (Fig. C).



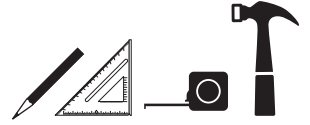
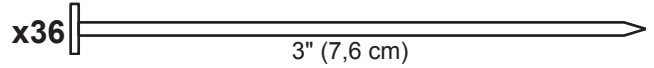
You have finished assembling your door frame.

Carefully set the door frame aside.

WINDOW FRAME

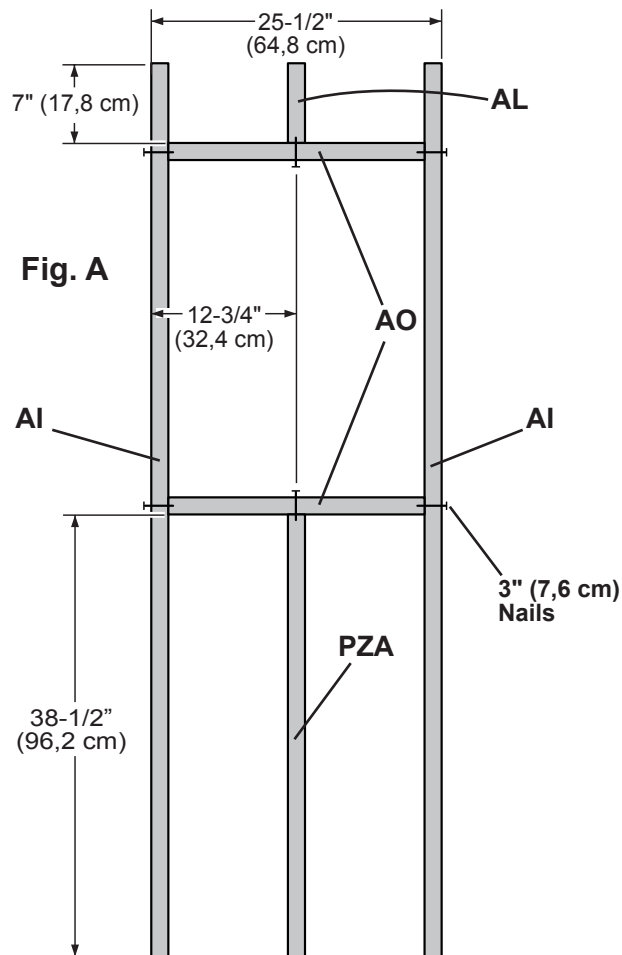
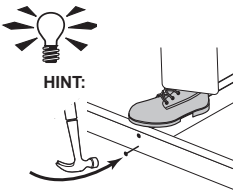
PARTS REQUIRED:

- x3 **AL**
2 x 4 x 7" (5,1 x 10,2 x 17,8 cm)
- x6 **AO**
2 x 4 x 22-1/2" (5,1 x 10,2 x 57,1 cm)
- x3 **PZA**
2 x 4 x 38-1/2" (5,1 x 10,2 x 97,8 cm)
- x6 **AI**
2 x 4 x 78-1/2" (5,1 x 10,2 x 199,4 cm)



✓ BEGIN

- 1 Orient parts on edge on floor as shown.
- 2 Nail using (2) 3" nails at each location (**Fig. A**).



- 3 Repeat steps 1 - 2 to build two more window frames.



You have finished assembling your (3) window frames.

Carefully set the window frames aside.

SIDE WALL -A- FRAME

PARTS REQUIRED:

x2 **RP** 2 x 4 x 20-1/2" (5,1 x 10,2 x 52,1 cm)

x10 **AI** 2 x 4 x 78-1/2" (5,1 x 10,2 x 199,4 cm)

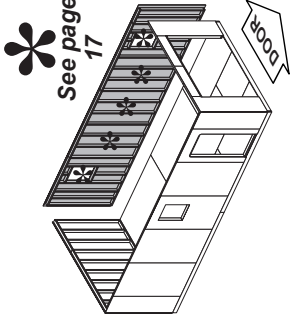
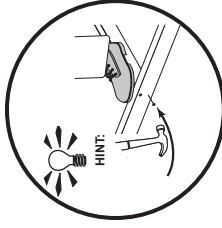
x4 **TP** 2 x 4 x 96" (5,1 x 10,2 x 243,8 cm)

x2 **YFA** 2 x 4 x 68-1/2" (5,1 x 10,2 x 174 cm)

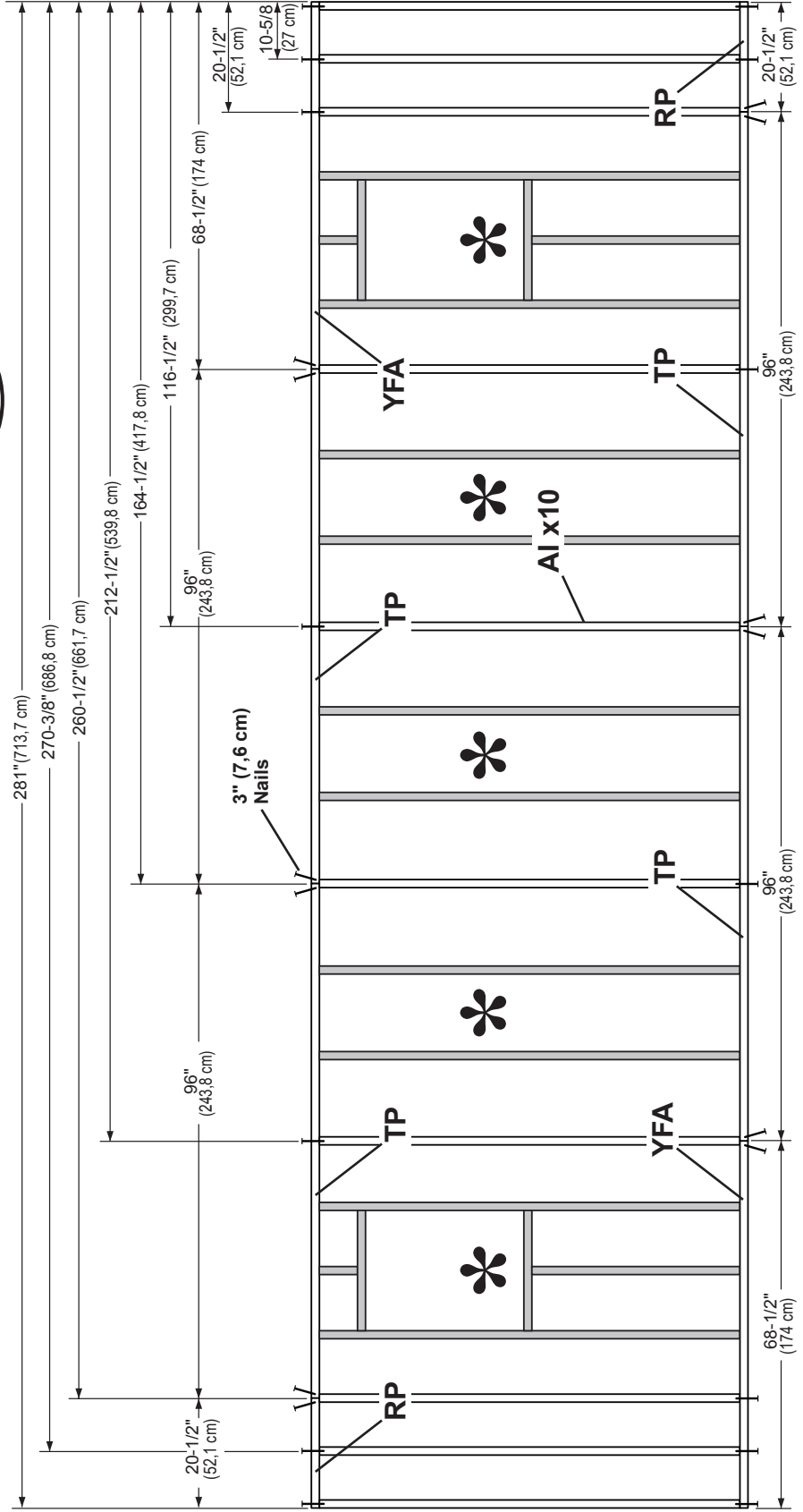
x104 3" (7,6 cm)



At this time, add in any window, door or solid wall frames to the 48" frame openings.
Refer to pages 21 - 23 for detailed window, door and solid wall frame instructions.
Note: Wall shown is generic image.



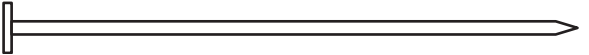
- BEGIN**
- 1** Orient parts on edge on floor. Measure and mark from end of boards.
- 2** Use (2) 3" nails at each connection and (4) 3" nails at seams. Toe-nail at seams.




You have finished building side wall -A-

SOLID WALL OPTION - FRAME

PARTS REQUIRED:

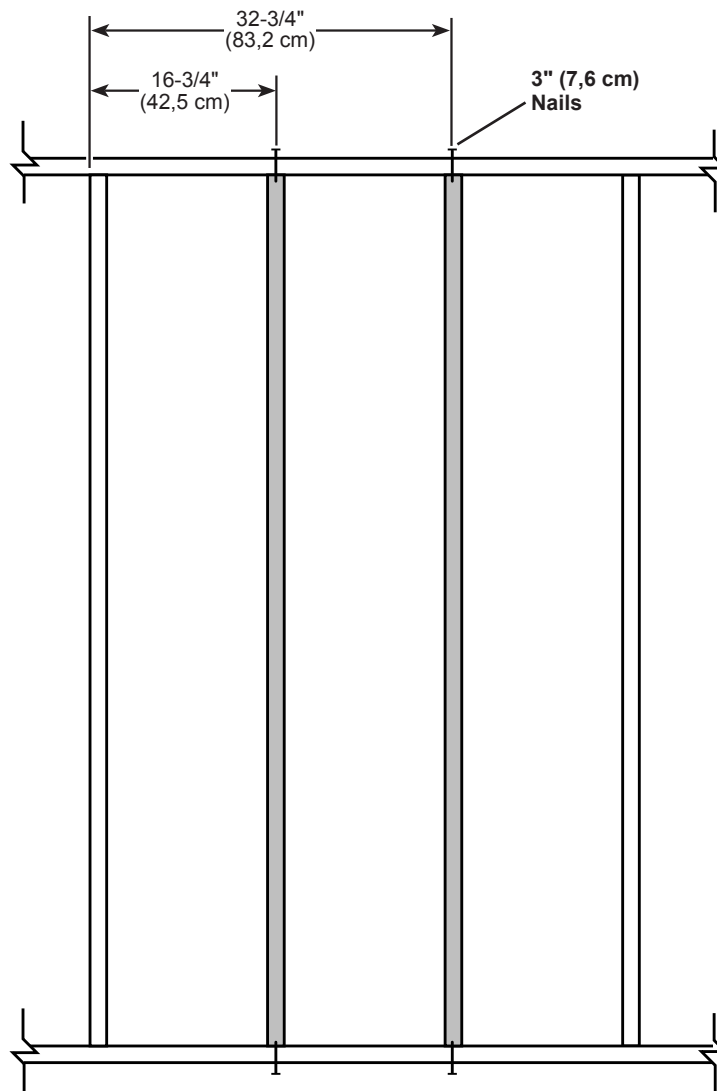
x8 

x2 **AI** 
2 x 4 x 78-1/2" (5,1 x 10,2 x 199,4 cm)



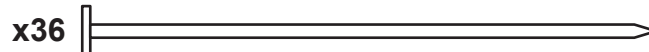
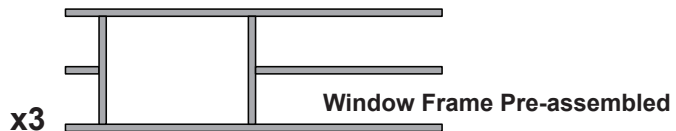
✓ **BEGIN**

- 1 Measure and mark locations for two studs **AI** in chosen 48" wall opening location.
Place two **AI** in 48" wall opening.
- 2 Secure studs using (2) 3" nails at each location.



WINDOW FRAME

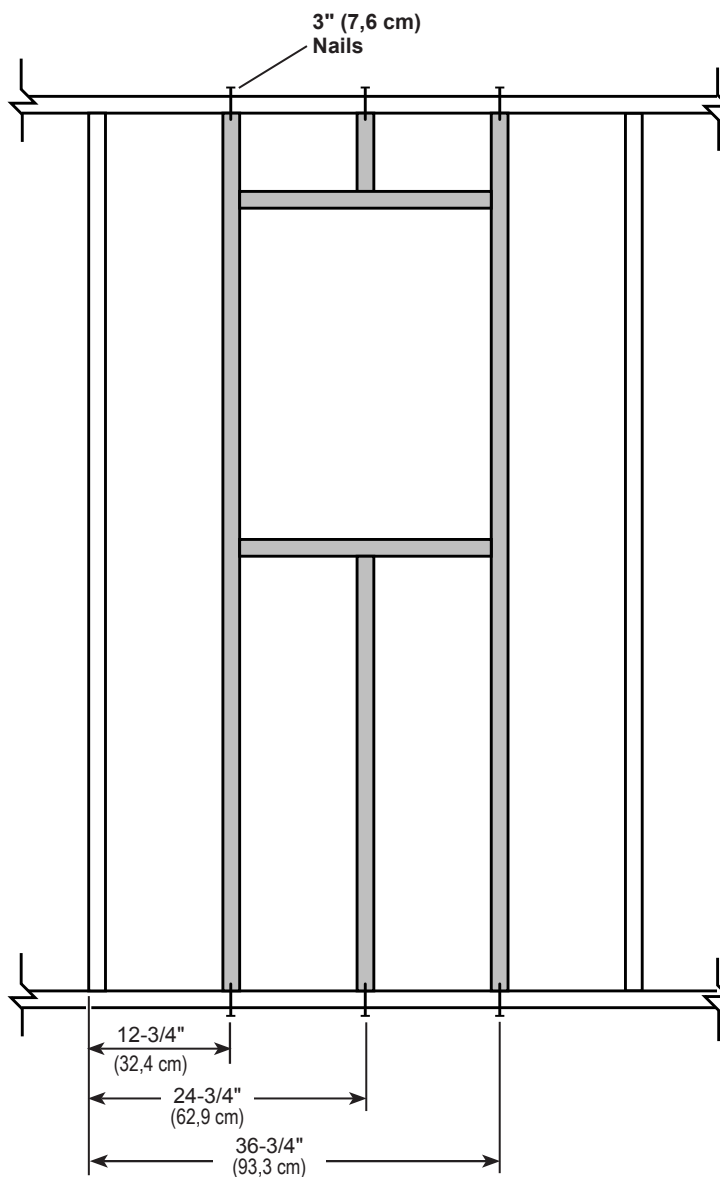
PARTS REQUIRED:



✓ **BEGIN**

1 Measure and mark window frame at chosen 48" wall opening.

2 Install window frame using (2) 3" nails at each location.



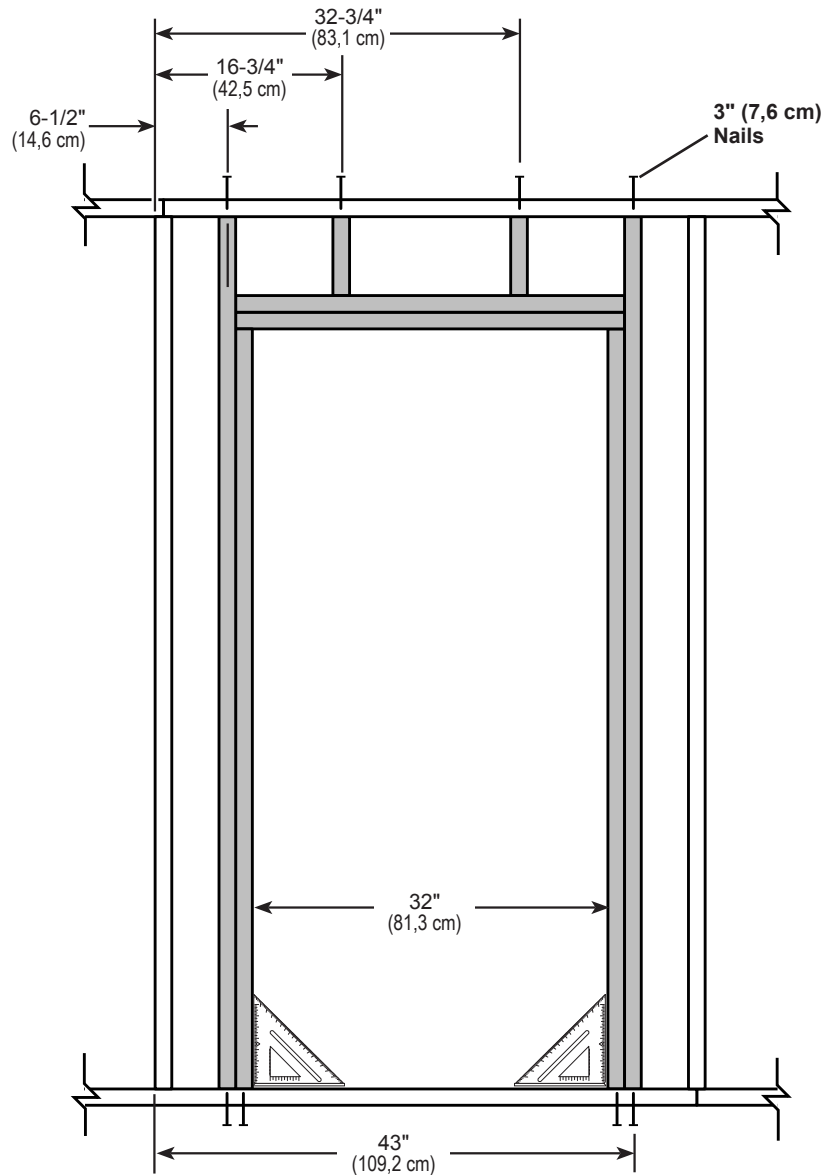
DOOR FRAME

PARTS REQUIRED:



✓ BEGIN

- 1 Measure and mark frame locations for door frame at chosen 48" wall opening location. Place door frame in 48" wall opening.
- 2 Check frame studs are at measurements shown and square at bottom. Secure door frame using (2) 3" nails at each location.



SIDE WALL -A- PANELS

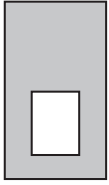
PARTS REQUIRED:



x3

3/8 x 48 x 84"
(1 x 121,9 x 213,4 cm)

x2



3/8 x 48 x 84"
(1 x 121,9 x 213,4 cm)

x2



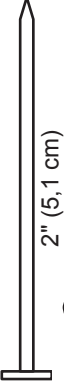
3/4"

GAUGE BLOCK

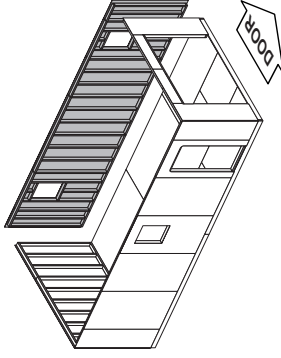
3/8 x 23-7/8 x 84"
(1 x 60,6 x 213,4 cm)

x2

x384



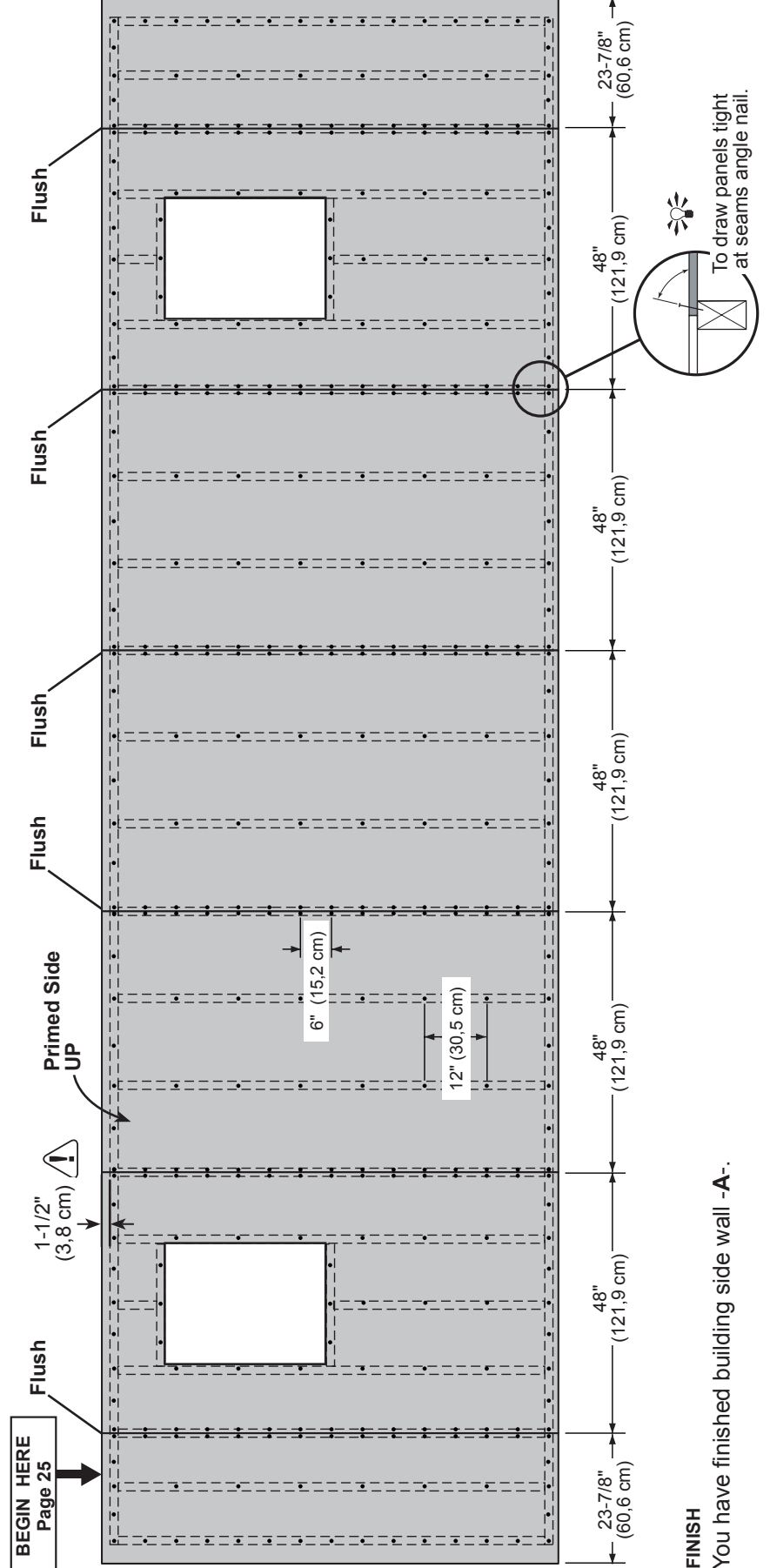
2" (5,1 cm)



Refer to pages 25 - 28 for detailed window, door and solid wall panel instructions.

NOTE : Wall shown is a generic image.

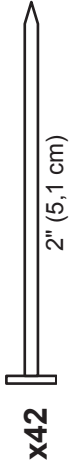
- 3 Install panels prime side up 1-1/2" above top plate using 2" nails 6" apart on edges and 12" apart inside panel.



You have finished building side wall -A-.

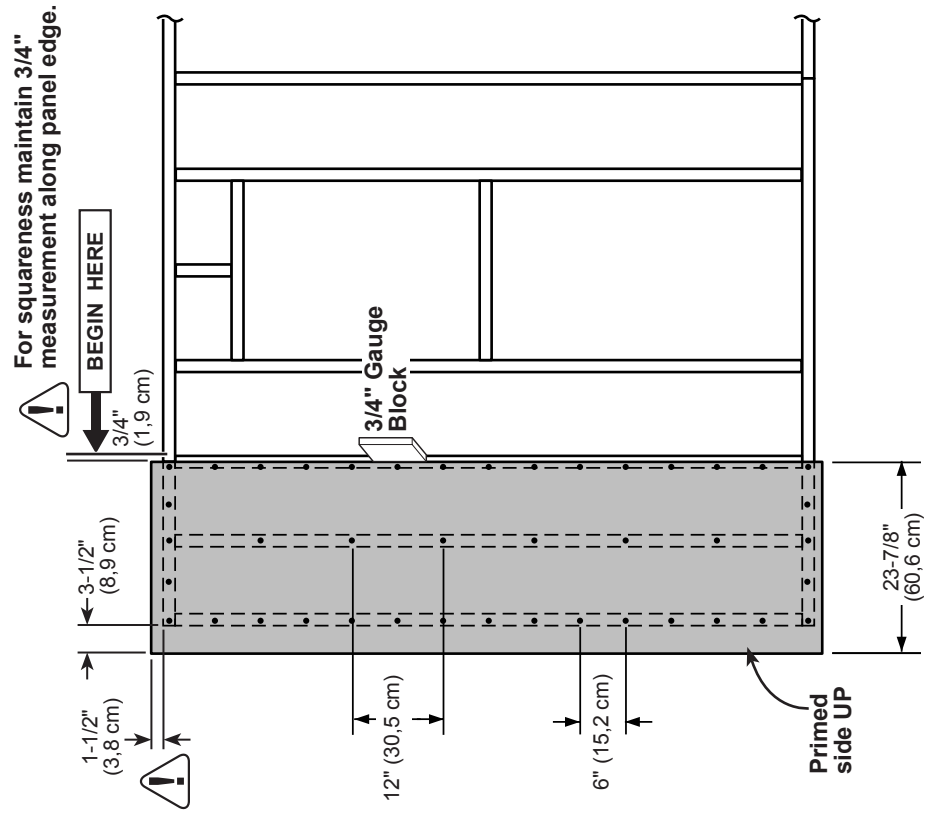
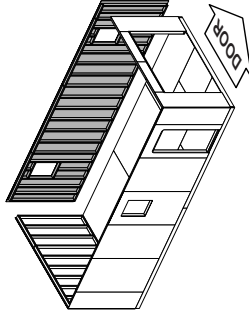
PARTS REQUIRED:

- x1** 
 3/8 x 23-7/8 x 84"
 (1 x 60,6 x 213,4 cm)

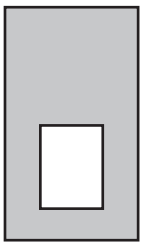


✓ BEGIN

- Place **23-7/8" x 84"** end panel on frame with primed side facing up. Wall panel will be **1-1/2"** above top plate.
 Use **GAA** as a gauge block to check the **3/4"** side measurement on the wall stud.
- Secure the panel using **2"** nails **6"** apart on edges and **12"** apart inside panel.



PARTS REQUIRED:



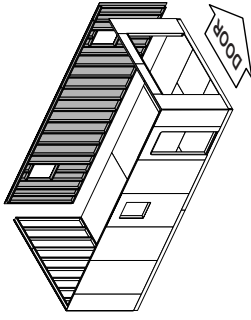
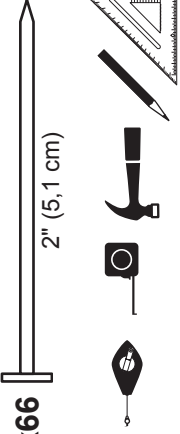
3/8 x 48 x 84"
(1 x 121,9 x 213,4 cm)

x1



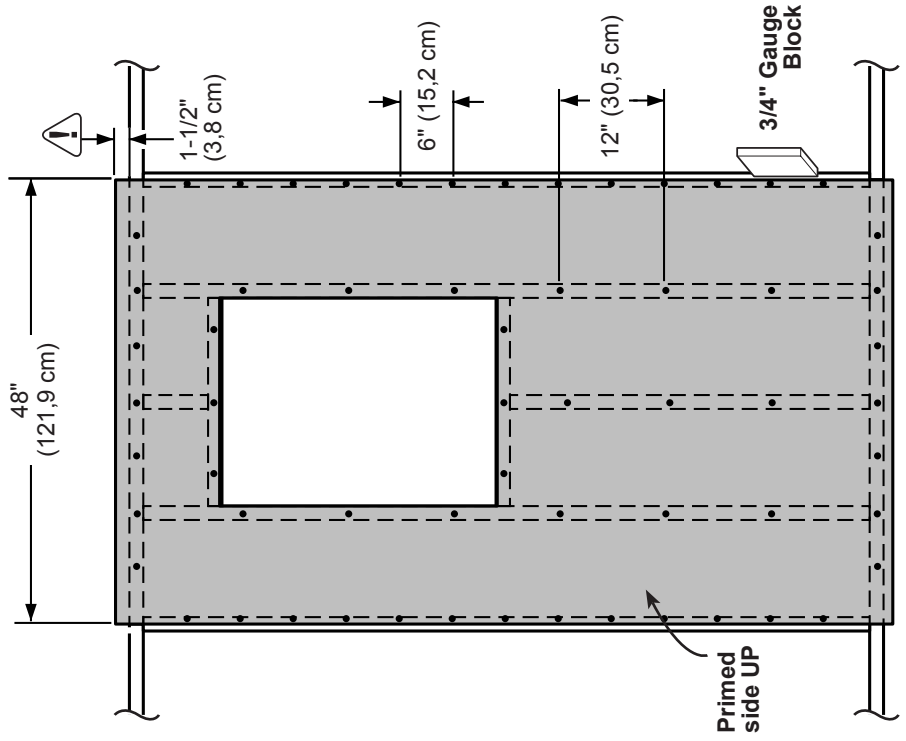
3/4"
GAUGE BLOCK

x66



1 Place **48" x 84"** window panel flush to the installed panel. Measure and locate the panel 1-1/2" above the top plate. Use the **gauge block** to check the 3/4" side measurement on the wall stud.

2 Secure the panel using 2" nails 6" apart on edges and 12" apart inside panel.



WINDOW PANEL

SOLID WALL OPTION

PARTS REQUIRED:



3/8 x 48 x 84"
(1 x 121,9 x 213,4 cm)

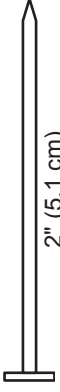
x1



3/4"

GAUGE BLOCK

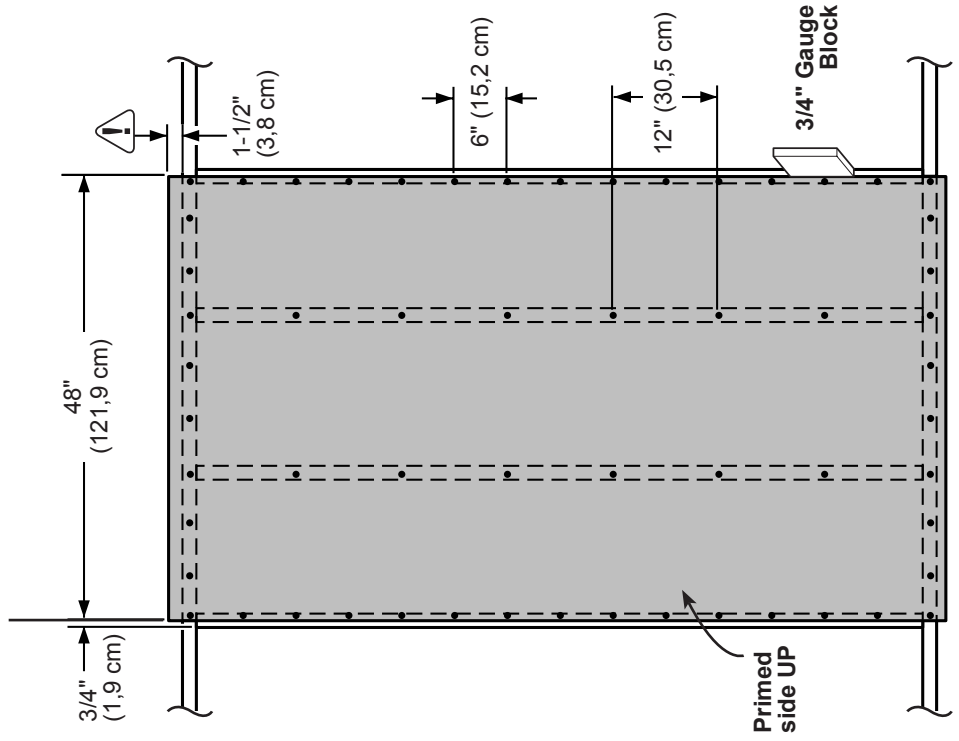
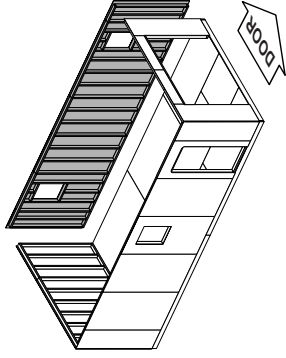
x56



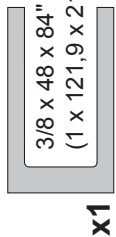
2" (5,1 cm)



- 1 Place **48"x 84"** panel flush to the installed panel.
Measure and locate the panel 1-1/2" above the top plate.
Use the **gauge block** to check the 3/4" side measurement on the wall stud.
- 2 Secure the panel using 2" nails 6" apart on edges and 12" apart inside panel.



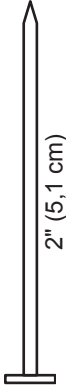
PARTS REQUIRED:



x1

3/4"
GAA GAUGE BLOCK

x72

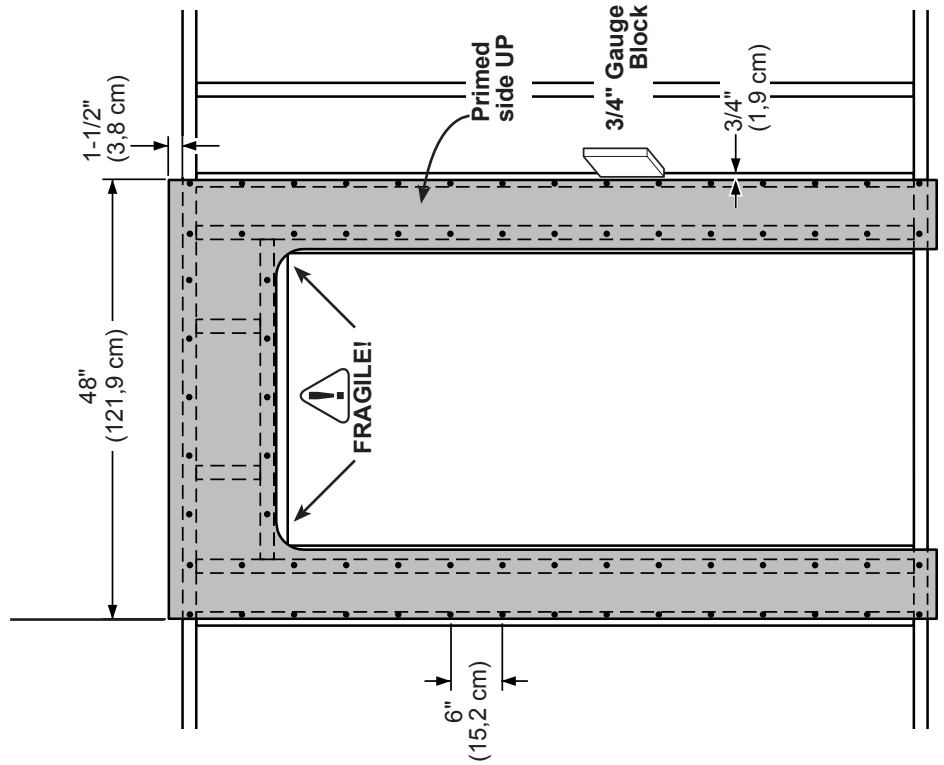
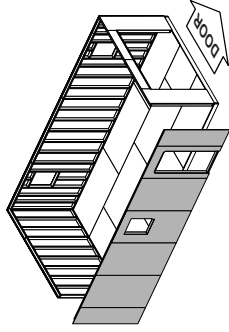


2" (5,1 cm)



BEGIN






- 1 Place **48" x 84"** door panel flush to the installed panel. Measure and locate the panel 1-1/2" above the top plate. Use the **gauge block** to check the 3/4" side measurement on the wall stud.
- 2 Secure the panel using 2" nails 6" apart on edges and 12" apart inside panel.



DOOR PANEL

SIDE WALL -B- FRAME

PARTS REQUIRED:

- x2** **RP**  2 x 4 x 20-1/2" (5,1 x 10,2 x 52,1 cm)
- x4** **TP**  2 x 4 x 96" (5,1 x 10,2 x 243,8 cm)
- x10** **AI**  2 x 4 x 78-1/2" (5,1 x 10,2 x 199,4 cm)
- x2** **YFA**  2 x 4 x 68-1/2" (5,1 x 10,2 x 174 cm)
- x104**  3" (7,6 cm)

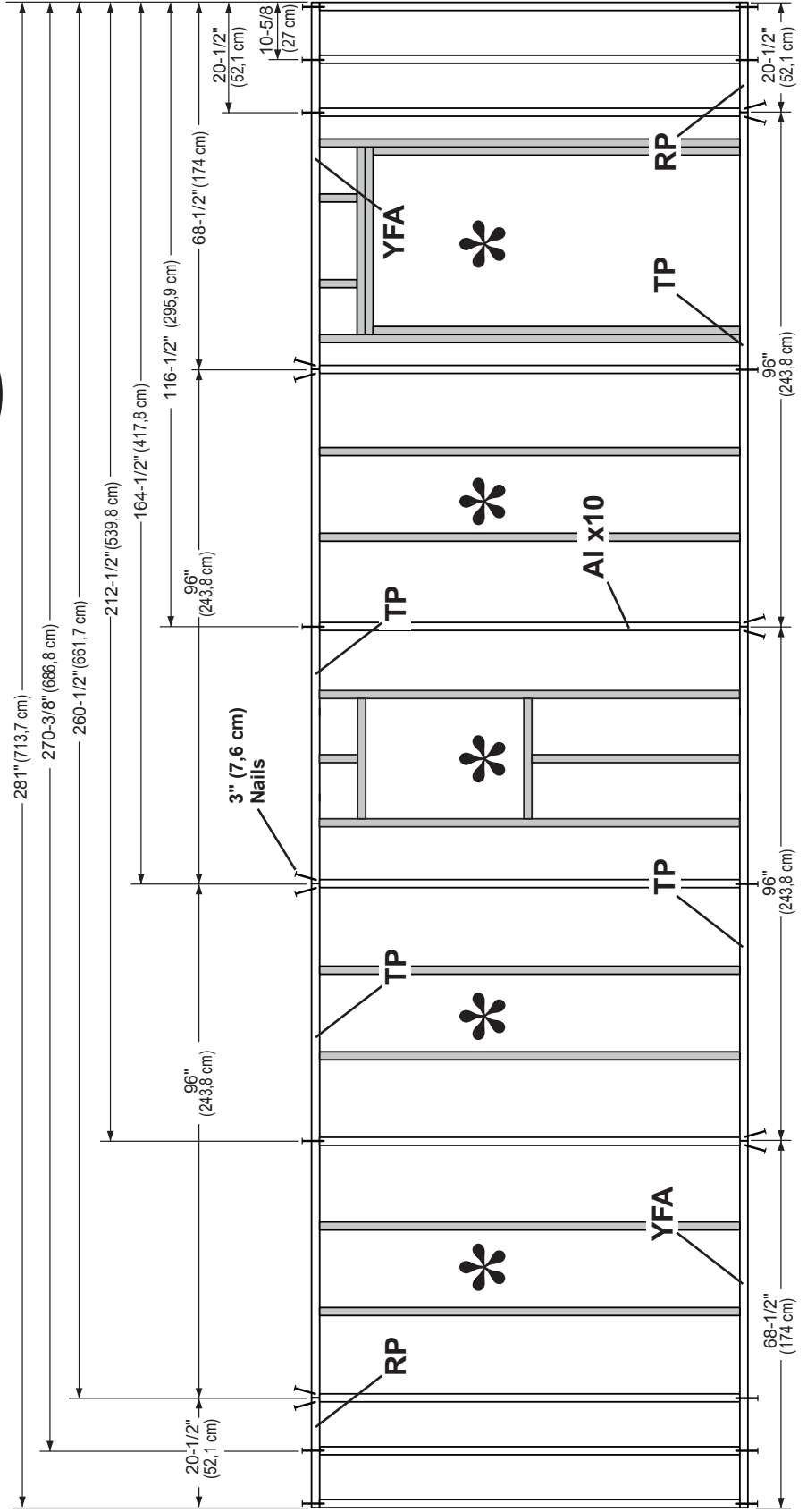
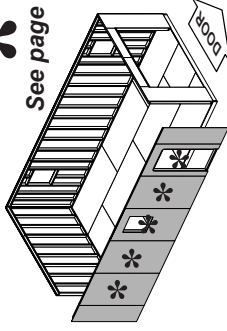
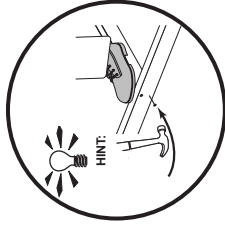


At this time, add in any window, door and solid wall frames to the 48" frame openings. Refer to pages 21-23 for detailed window, door and solid wall frame instructions.

NOTE : Wall shown is a generic image.


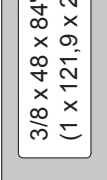
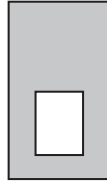

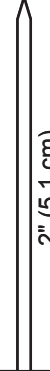


- 1** Orient parts on edge on floor. Measure and mark from end of boards.
- 2** Use (2) 3" nails at each connection and (4) 3" nails at seams. Toe-nail at seams.



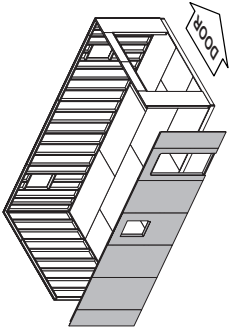
SIDE WALL -B- PANELS

PARTS REQUIRED:

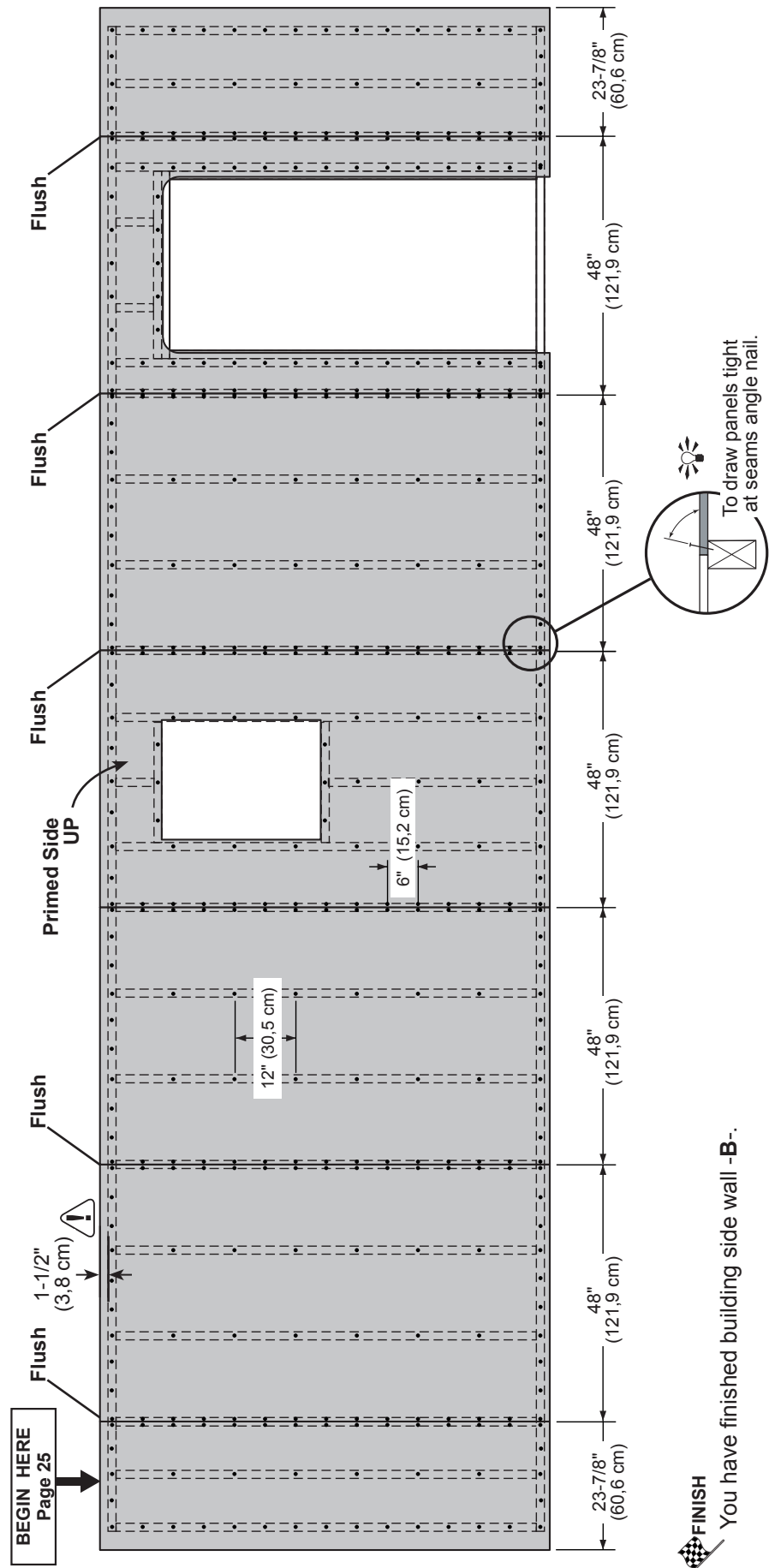
-  **x3** $3/8 \times 48 \times 84"$
(1 x 121,9 x 213,4 cm)
-  **x1** $3/8 \times 48 \times 84"$
(1 x 121,9 x 213,4 cm)
-  **x1** $3/8 \times 48 \times 84"$
(1 x 121,9 x 213,4 cm)
-  **x2** $3/8 \times 23-7/8 \times 84"$
(1 x 60,6 x 213,4 cm)
-  **x374** $2"$ (5,1 cm)

Refer to pages 25 - 28 for detailed window, door and solid wall panel instructions.

NOTE : Wall shown is a generic image.



- 3** Install panels prime side up 1-1/2" above top plate using 2" nails 6" apart on edges and 12" apart inside panel.



BACK WALL FRAME

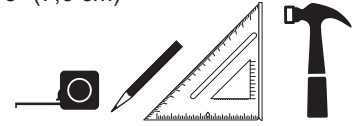
PARTS REQUIRED:

x10 **AI**
2 x 4 x 78-1/2" (5,1 x 10,2 x 199,4 cm)

x2 **SP**
2 x 4 x 48" (5,1 x 10,2 x 121,9 cm)

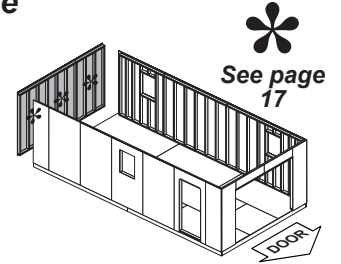
x2 **TP**
2 x 4 x 96" (5,1 x 10,2 x 243,8 cm)

x44 3" (7,6 cm)



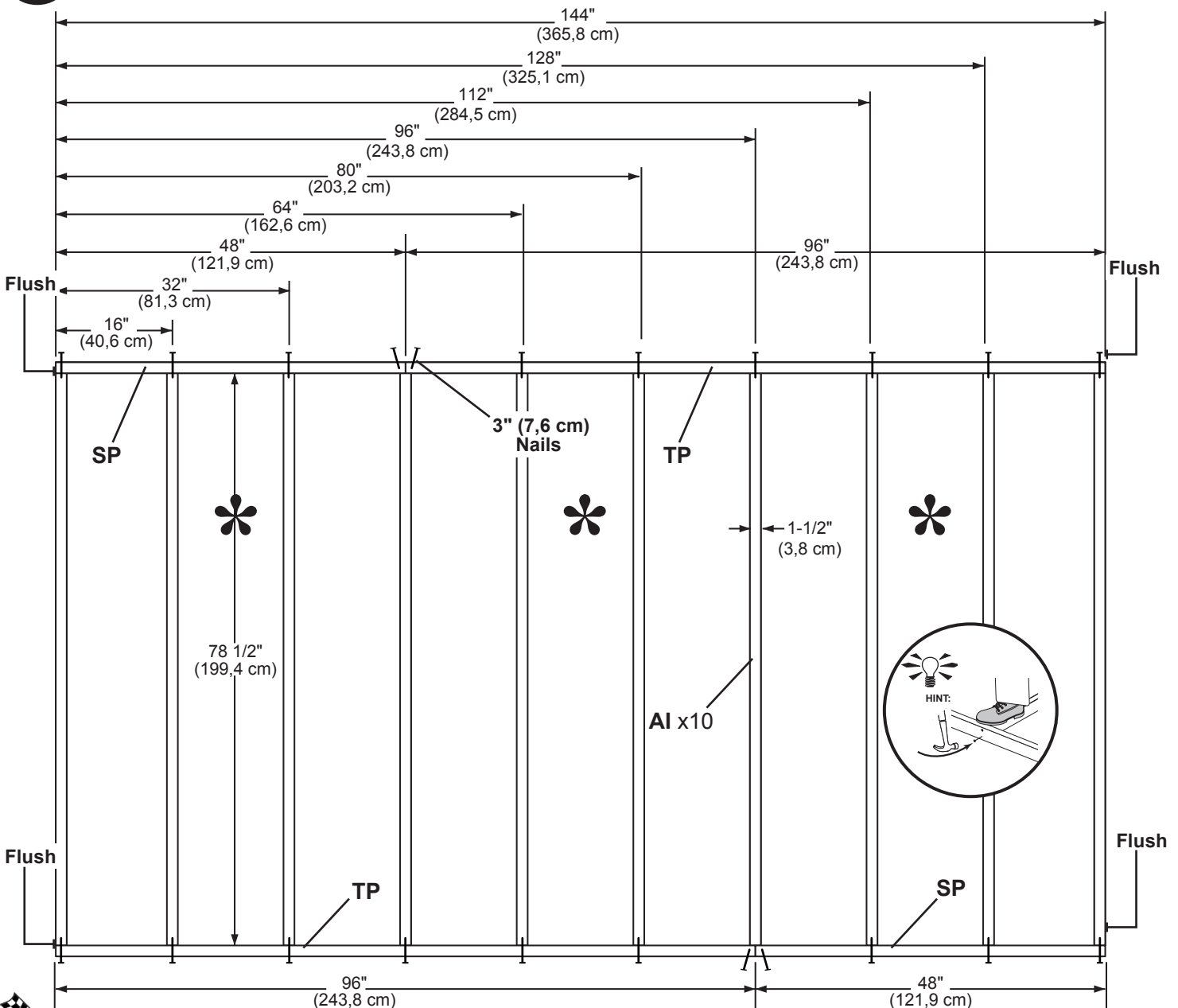
At this time, add in any window, door or solid wall frames to the 48" frame openings.

Refer to pages 21 - 23 for detailed window, door and solid wall frame instructions. NOTE : Wall shown is a generic image.



✓ BEGIN

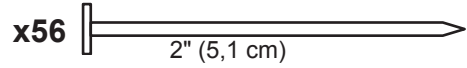
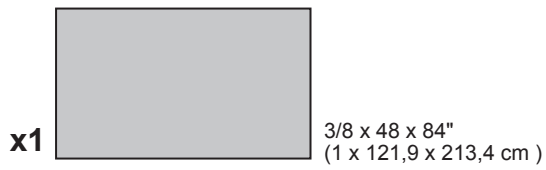
- 1** Orient parts on edge on floor as shown.
- 2** Nail using (2) 3" nails at each connection. Use (4) nails at seams.



You have finished building your back wall frame.

BACK WALL PANELS

PARTS REQUIRED:

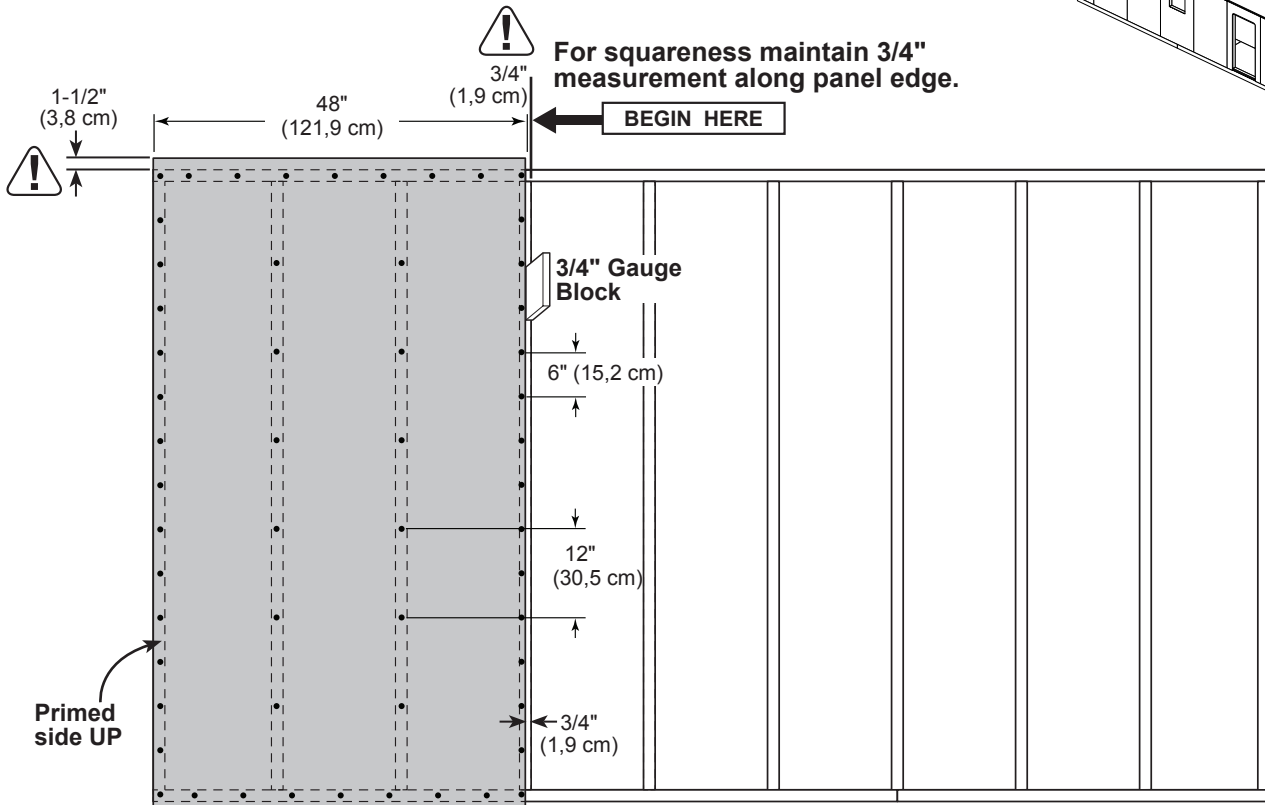
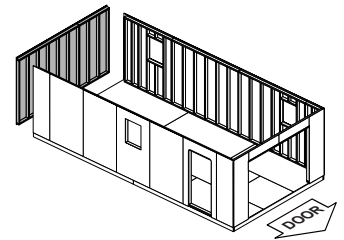


Refer to pages 25 - 28 for detailed window and door panel instructions.

NOTE : Wall shown is a generic image.

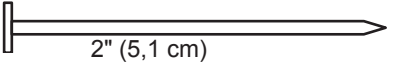
✓ BEGIN

- 1 Place left 48"x 84" panel on frame and 1-1/2" across top of wall frame.
Use **GAA** as a gauge block to check the 3/4" side measurement on the wall stud.
- 2 Secure the panel using 2" nails 6" apart on edges and 12" apart inside panel.



BACK WALL PANELS

PARTS REQUIRED:

x112  2" (5,1 cm)

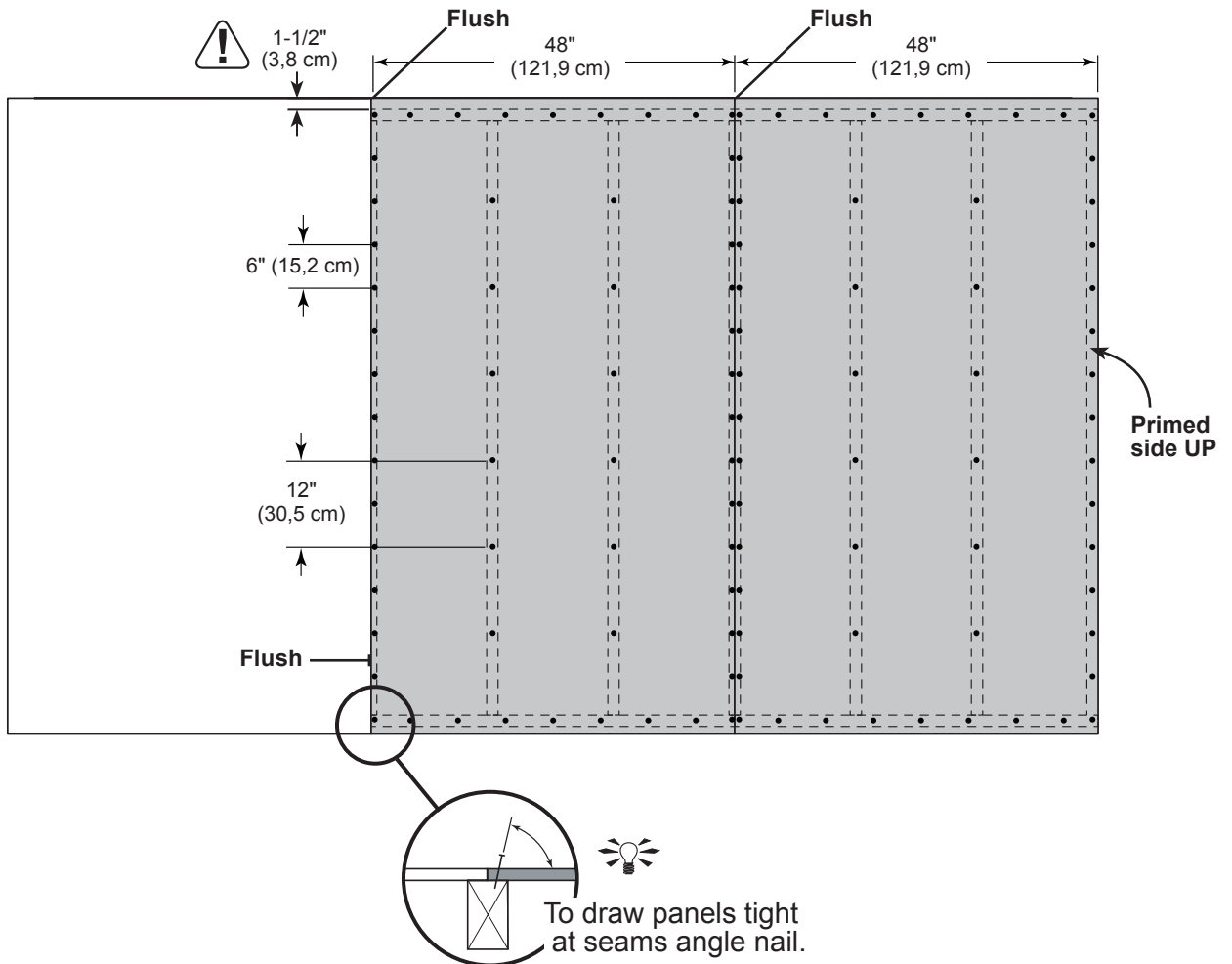


 **GAA**
3/4"
GAUGE BLOCK



NOTE: Wall shown is a generic image.

- Place 2nd and 3rd 48"x 84" panels on frame as shown and flush with installed panel. Secure panel using 2" nails 6" apart along seam and 12" apart inside panel.



- You have finished building your back wall.

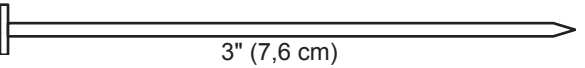
FRONT WALL FRAME (Door Header)

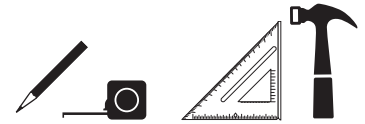
PARTS REQUIRED:

x2 CHC
2 x 4 x 16-1/8 (5,1 x 10,2 x 41 cm)

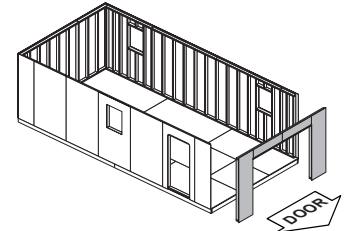
x2 TO
2 x 4 x 84" (5,1 x 10,2 x 213,4 cm)

x1
7/16" x 3" x 96" (1,1 x 7,6 x 243,9 cm) OSB

x26  3" (7,6 cm)



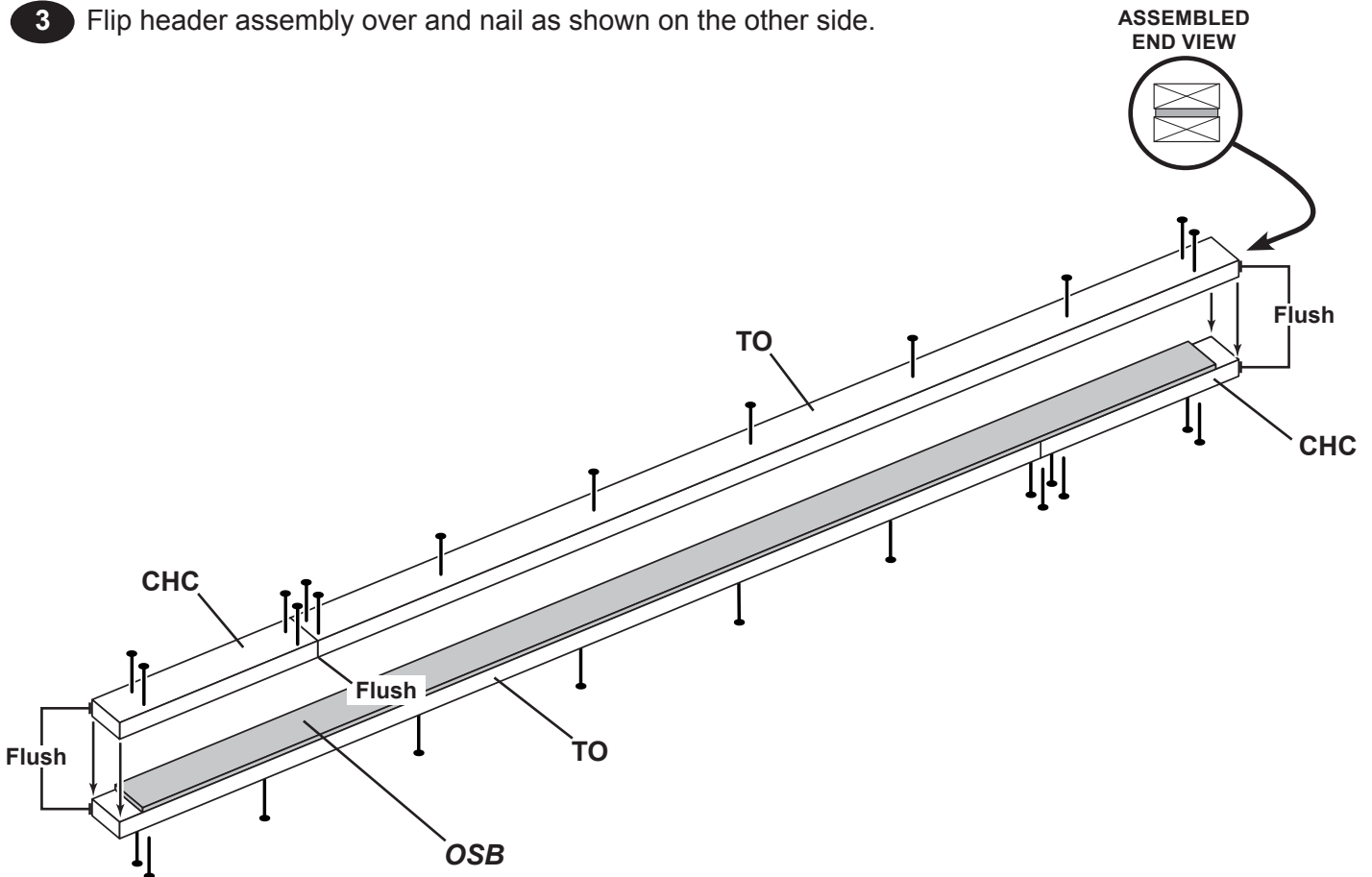
✓ BEGIN



1 Place (1) **TO** and (1) **CHC** end-to-end.
Center **OSB** on top of **TO** and **CHC**.

2 Place another **TO** and **CHC** on top of **OSB**, staggering the seams from the first **TO** and **CHC**.
Nail using 3" nails in the pattern shown.

3 Flip header assembly over and nail as shown on the other side.



You have assembled your door header.

FRONT WALL FRAME

PARTS REQUIRED:

x10 **UY**
2 x 4 x 6-1/2" (5,1 x 10,2 x 16,5 cm)

x2 **JYA**
2 x 4 x 23-7/16" (5,1 x 10,2 x 59,5 cm)

x2 **YFA**
2 x 4 x 68-1/2" (5,1 x 10,2 x 174 cm)

x4 **AI**
2 x 4 x 78-1/2" (5,1 x 10,2 x 199,4 cm)



x36 3" (7,6 cm)

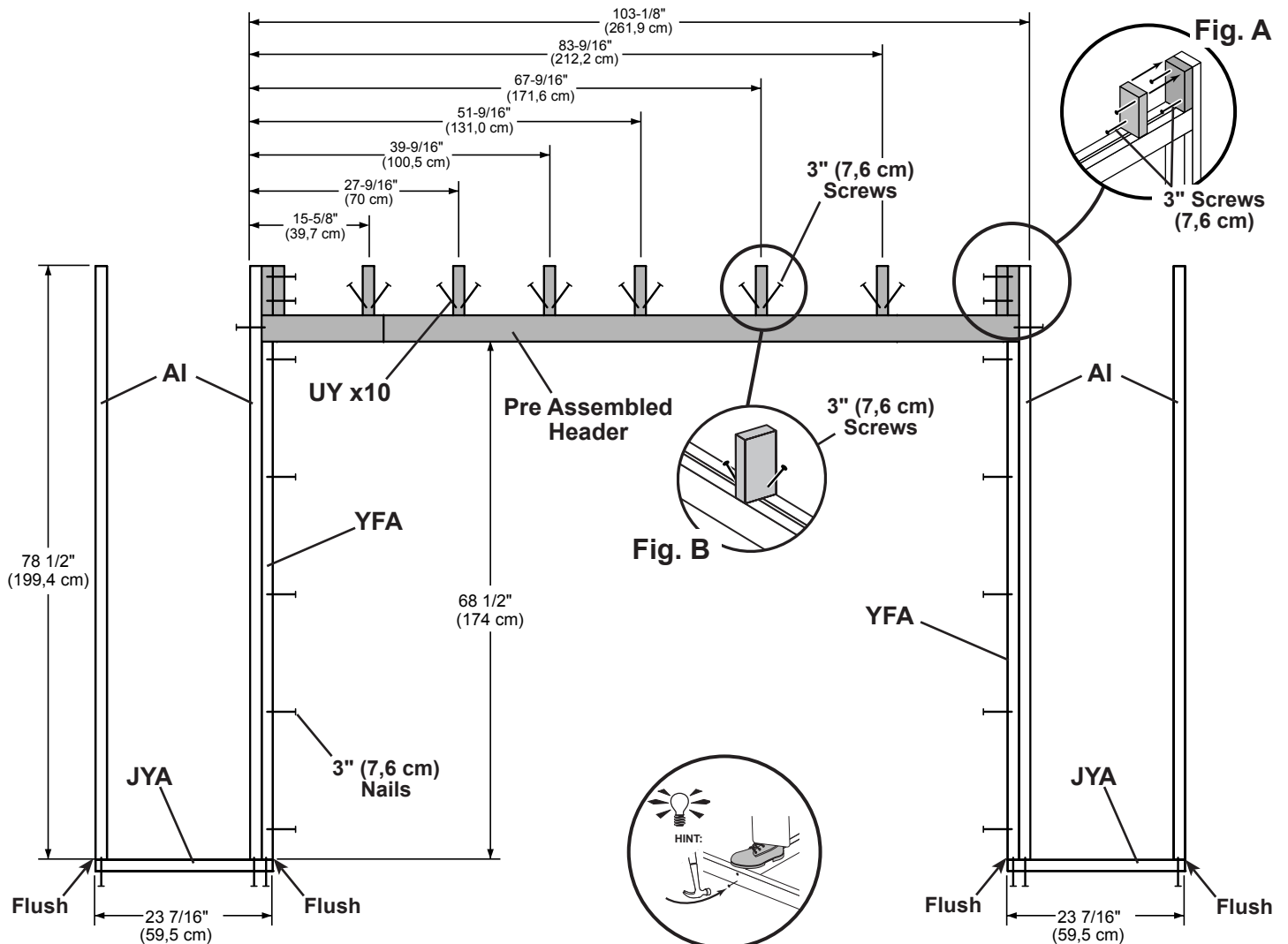
x20 3" (7,6 cm)

Pre Assembled Header

x1

✓ BEGIN

- 1 Orient parts on edge on floor as shown. Orient **Pre Assembled Header** on flat side.
- 2 Attach 1st end **UY** to **AI** door frame stud using (2) 3" screws (**Fig. A**).
Attach 2nd end **UY** to 1st **UY** using (2) 3" nails (**Fig. A**).
- 3 Attach middle **UY** (x6) to **Pre Assembled Header** using (2) 3" screws at each connection (**Fig. B**).



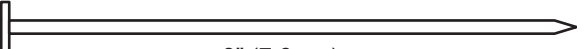
FRONT WALL FRAME

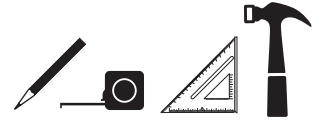
PARTS REQUIRED:

x1 **SP**
2 x 4 x 48" (5,1 x 10,2 x 121,9 cm)

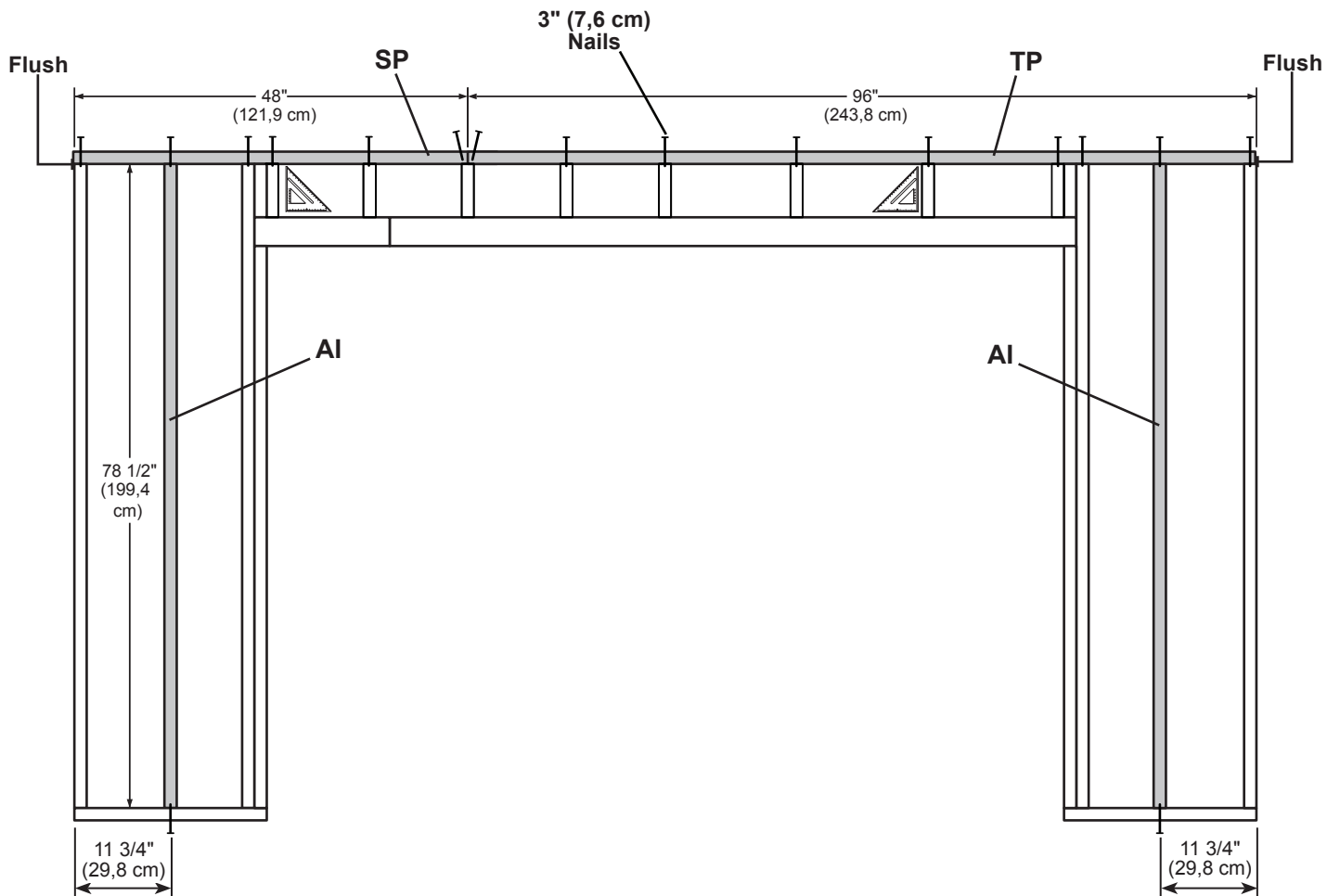
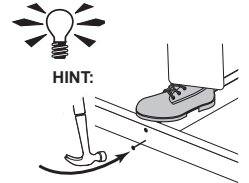
x2 **AI**
2 x 4 x 78-1/2" (5,1 x 10,2 x 199,4 cm)

x1 **TP**
2 x 4 x 96" (5,1 x 10,2 x 243,8 cm)

x34  3" (7,6 cm)



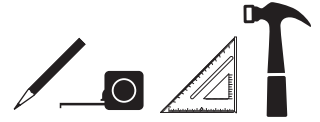
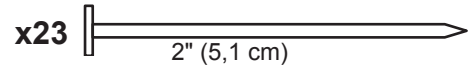
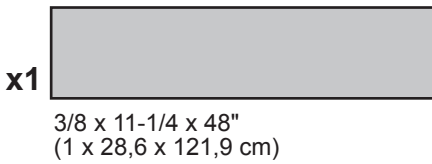
- 4** Orient parts on edge as shown.
Secure using 3" nails as shown.



You have finished your front wall frame.

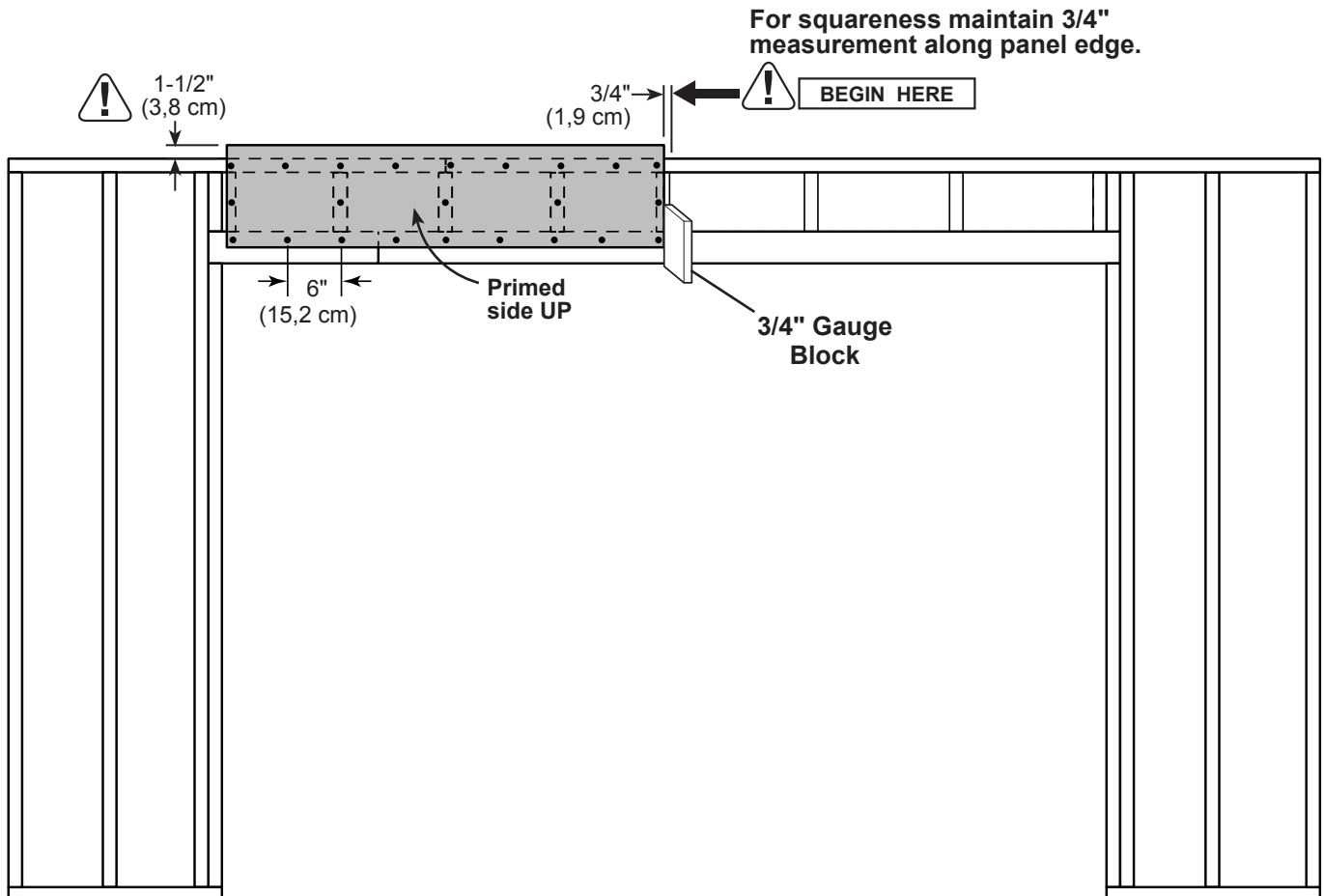
FRONT WALL PANELS

PARTS REQUIRED:



✓ BEGIN

- 1 Place one header panel onto wall frame as shown.
- 2 Use the guage block **GAA** to mark the 3/4" measurement on the wall stud. Locate the panel 1-1/2" above the top plate.
Secure panels to frame using (2) 2" nails 6" apart.



FRONT WALL PANELS

PARTS REQUIRED:

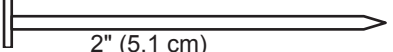
x1



3/8 x 11-1/4 x 48"
(1 x 28,6 x 121,9 cm)



3/4" GAUGE
BLOCK

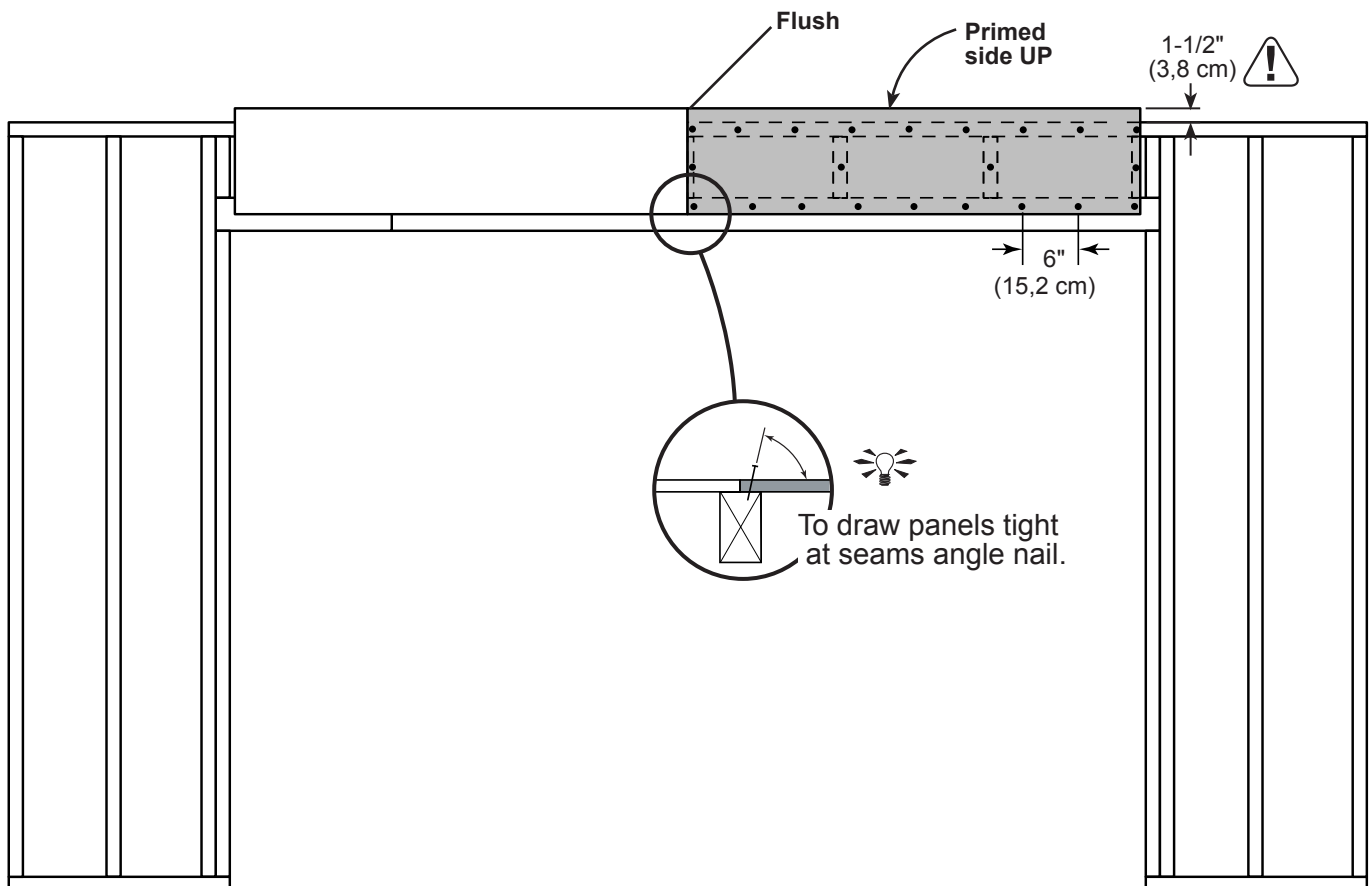
x22  2" (5,1 cm)



3 Place the second header panel onto wall frame as shown.

4 Locate the panel 1-1/2" above the top plate.

Secure panels to frame using 2" nails 6" apart.



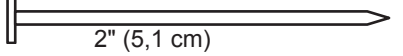
FRONT WALL PANELS


PARTS REQUIRED:


x2 **TP** Temporary Support
2 x 4 x 96" (5,1 x 10,2 x 243,8 cm)

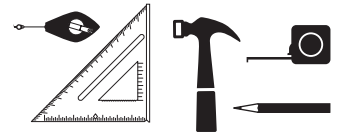
x4 

LEFT
Offset

x86  2" (5,1 cm)

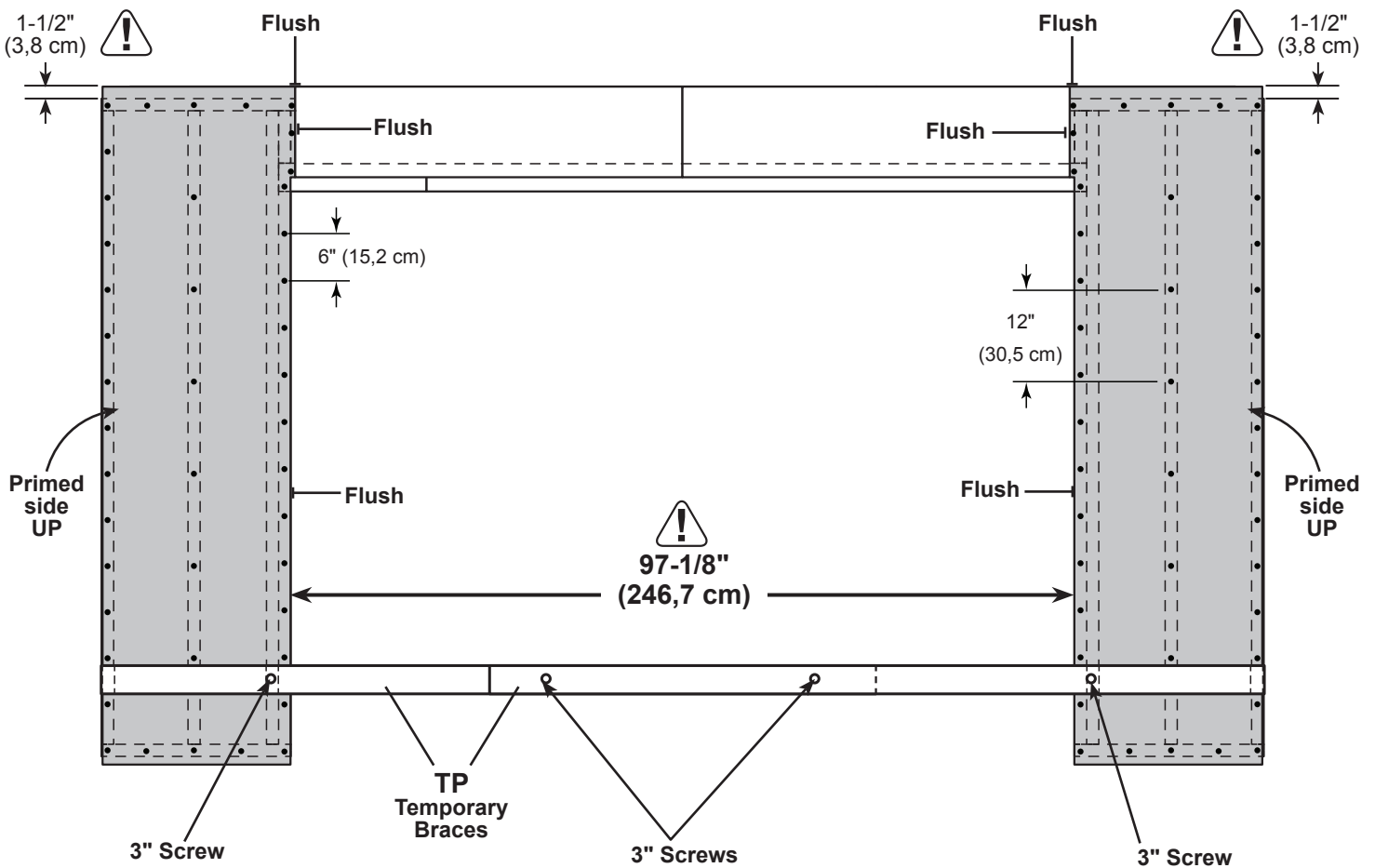
x1 
3/8 x 23-7/8 x 84" (1 x 60,7 x 213,4 cm)

x1 
3/8 x 23-7/8 x 84" (1 x 60,7 x 213,4 cm)



5 Place 23-7/8" x 84" panels 1-1/2" above frame flush to installed panels.
Nail left and right panels using 2" nails 6" apart along edges and 12" apart inside panel.

6 Stack and attach (2) TP as temporary braces using 3" screws into wall framing as shown.



You have finished assembling your front wall.

SIDE WALL -A- INSTALLATION

PARTS REQUIRED:

x2 **TP** Temporary Brace
2 x 4 x 96" (5,1 x 10,2 x 243,8 cm)

x42 3" (7,6 cm)

x50 2" (5,1 cm)

x4 3" (7,6 cm)

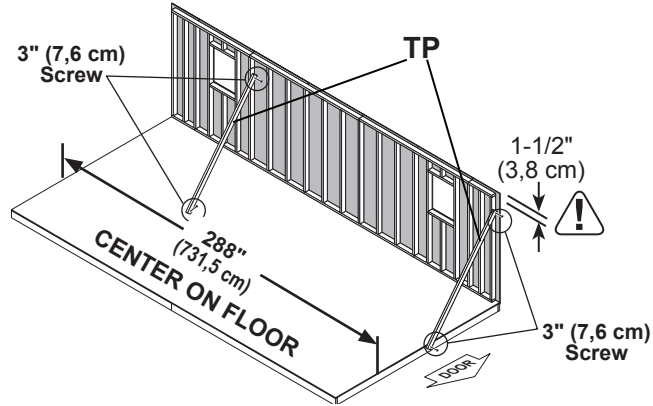


✓ **BEGIN**

1 Center side wall -A- on floor. 

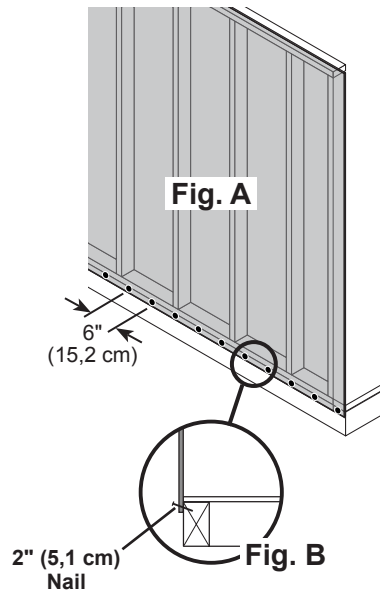
⚠ **ENSURE 1-1/2" MEASUREMENT IS AT TOP.**

2 Use **TP** as temporary bracing. Secure using (2) 3" screws.

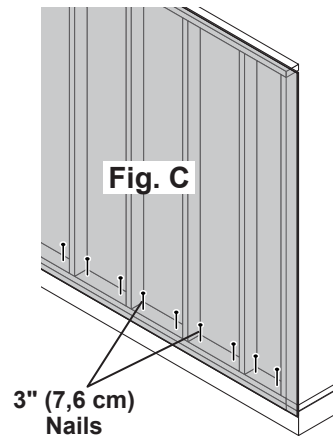


3 Nail along bottom of side wall panels using 2" nails 6" apart (**Fig. A**).

Angle nail to hit floor frame (**Fig. B**).



4 Secure the bottom plate using (2) 3" nails between wall studs (**Fig. C**).

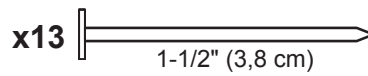
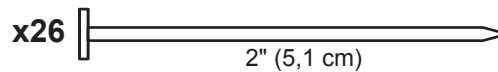
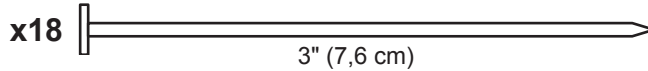
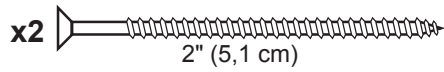


 **FINISH**

You have finished standing your side wall -A- .

BACK WALL INSTALLATION

PARTS REQUIRED:

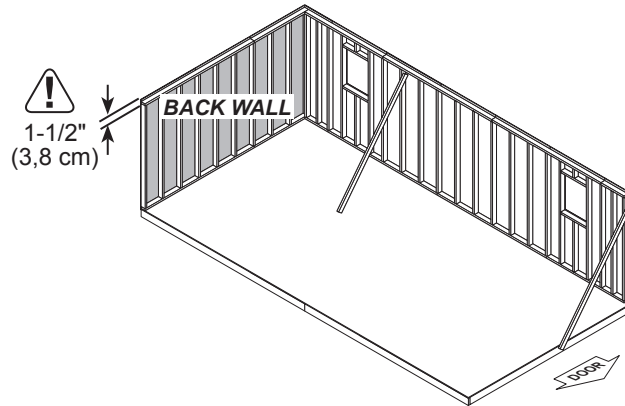


✓ **BEGIN**

1 Center back wall on floor.



⚠ **ENSURE 1-1/2" MEASUREMENT IS AT TOP.**



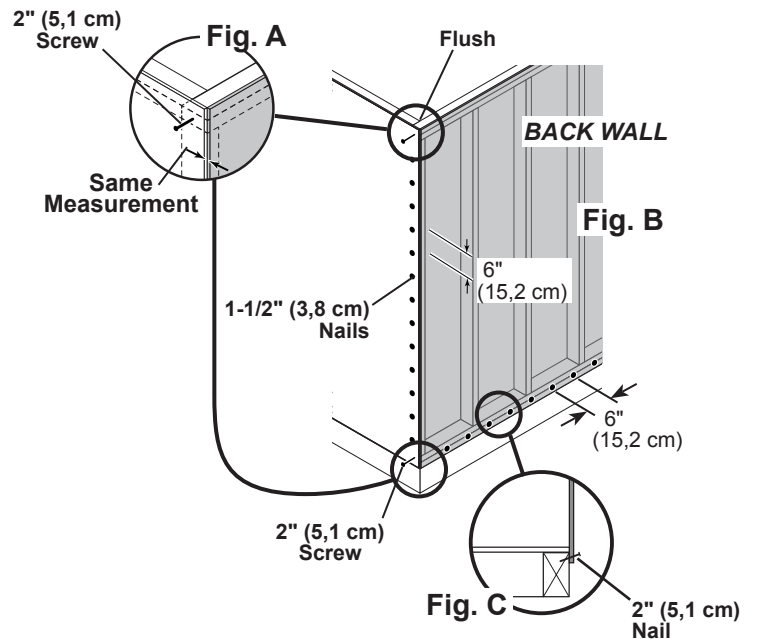
2 Secure top and bottom of back wall using (1) 2" screw into top and bottom plate (**Fig A**).

⚠ **BE SURE TOP OF WALL FRAMES ARE FLUSH.**

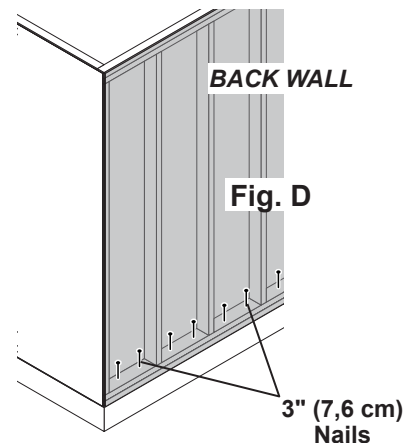
Nail side wall panel to back wall stud using 1-1/2" nails 6" apart (**Fig B**).

Nail along bottom of back wall panels using 2" nails 6" apart.

Angle nail to hit floor frame (**Fig. C**).



3 Secure the bottom plate using (2) 3" nails between wall studs (**Fig. D**).

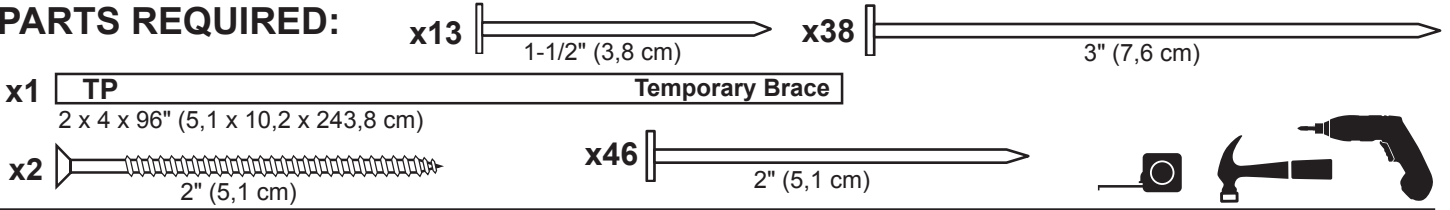


🏁 **FINISH**

You have finished standing your back wall.

SIDE WALL -B- INSTALLATION

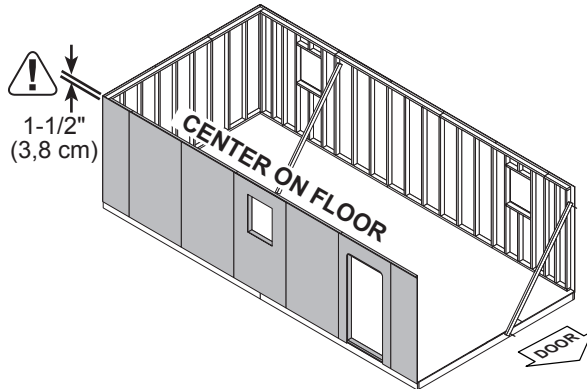
PARTS REQUIRED:



✓ **BEGIN**

1 Center side wall -B- on floor. 

⚠ **ENSURE 1-1/2" MEASUREMENT IS AT TOP.**



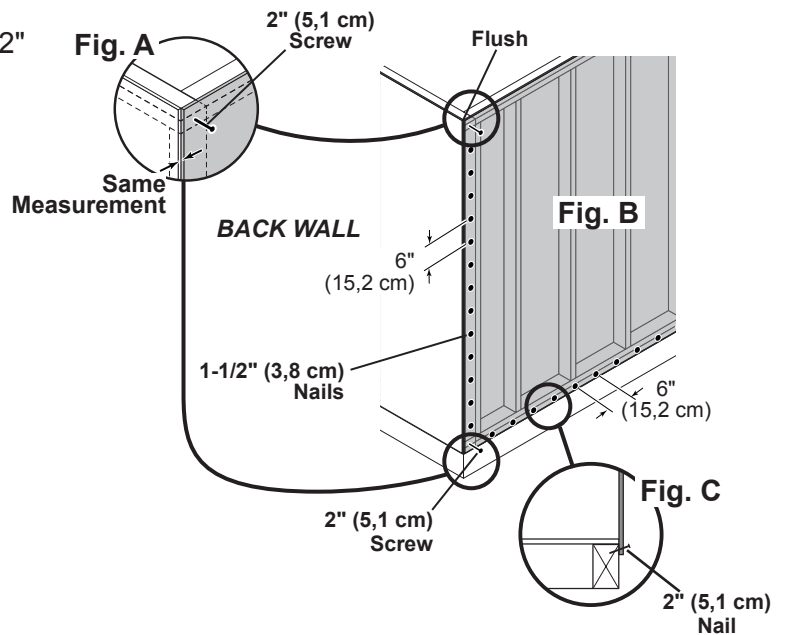
2 Secure top and bottom of side wall using (1) 2" screw into top and bottom plate (**Fig A**).

⚠ **BE SURE TOP OF WALL FRAMES ARE FLUSH.**

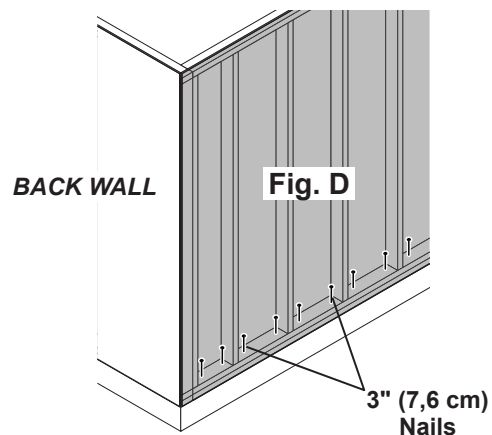
Nail side wall panel to back wall stud using 1-1/2" nails 6" apart (**Fig B**).

Nail along bottom of side wall panels using 2" nails 6" apart.

Angle nail to hit floor frame (**Fig. C**).



3 Secure the bottom plate using (2) 3" nails between wall studs (**Fig. D**).



 **FINISH**

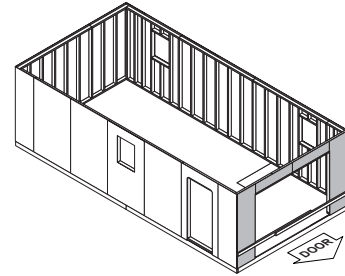
You have finished standing your side wall -B- .

FRONT WALL INSTALLATION

PARTS REQUIRED:



x4 2" (5,1 cm)



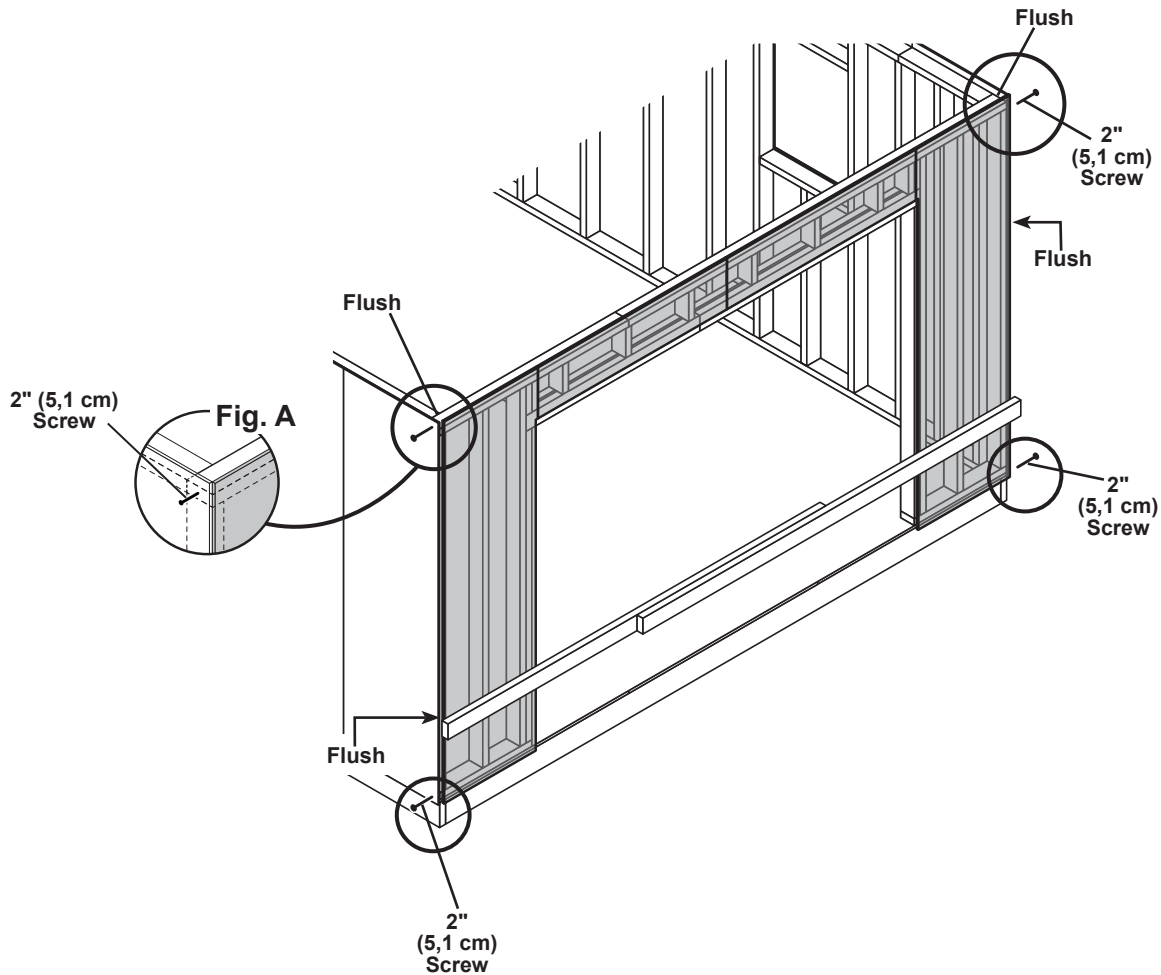
✓ **BEGIN**



- 1** Remove temporary brace.
Center front wall on floor as shown.

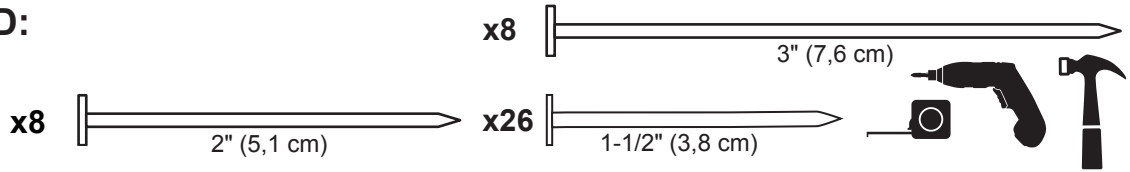
! ENSURE PANEL CORNERS ARE FLUSH. **!**

- 2** Secure top and bottom of wall using (1) 2" screw into top and bottom plates (**Fig. A**).

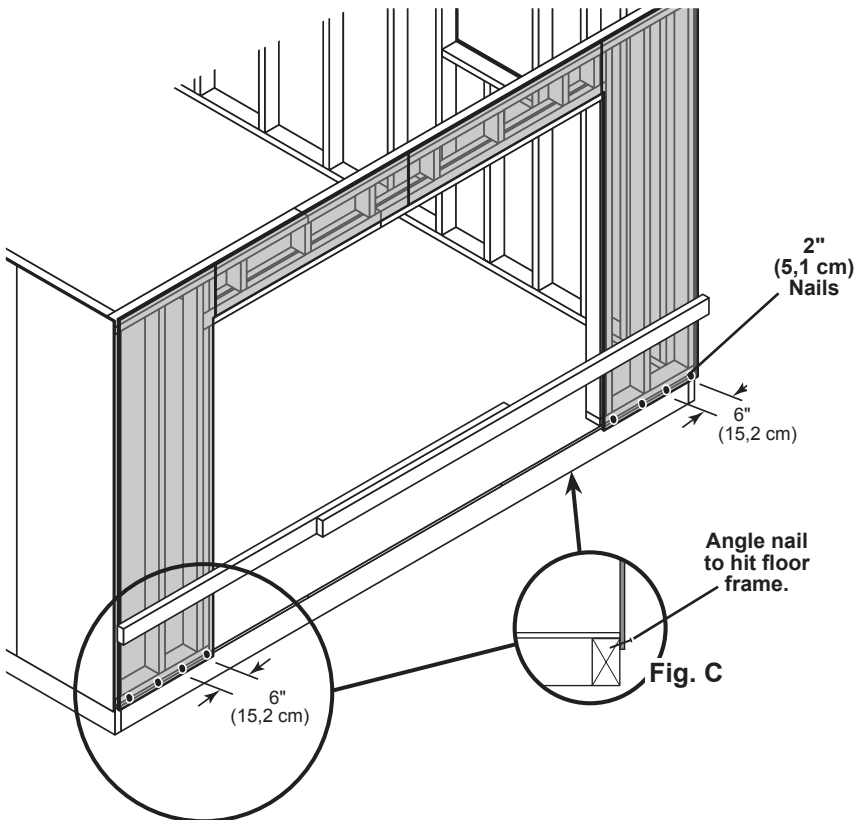


FRONT WALL INSTALLATION

PARTS REQUIRED:

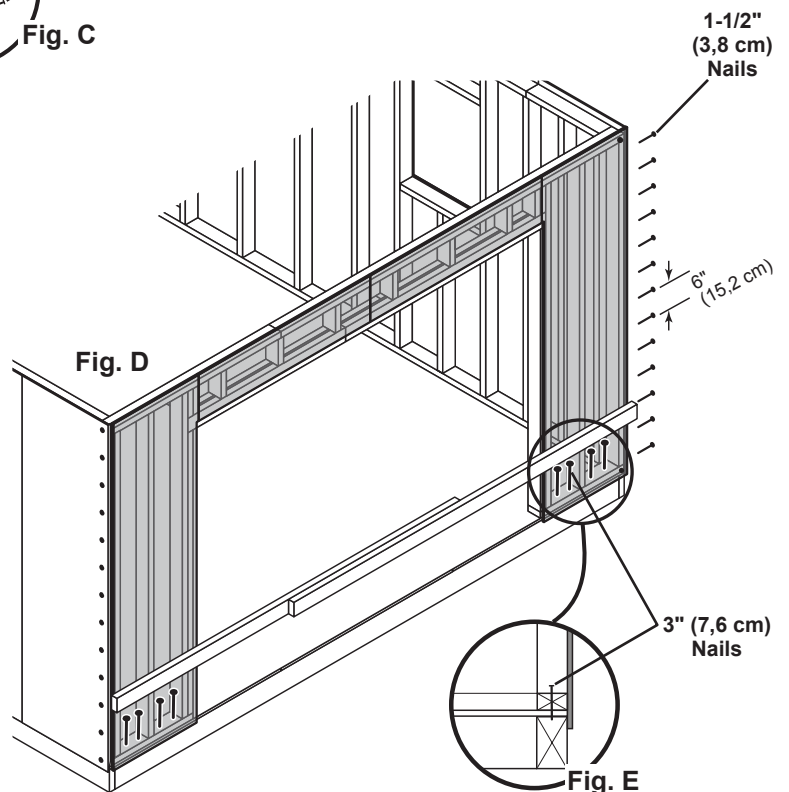


3 Nail lower edge of panels to floor using 2" nails 6" apart. Angle nail to hit floor frame (**Fig. C**).



4 Nail front wall panels to side wall studs using 1-1/2" nails 6" apart (**Fig. D**).

Secure front wall to floor using 3" nails (**Fig. E**).



You have finished standing your front wall.
Remove all temporary bracing.

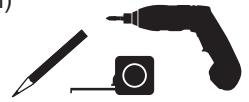
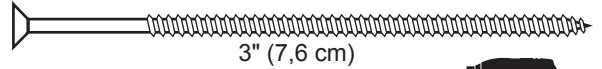
EAVE WALL SQUARING

PARTS REQUIRED:

x3 **TP** Temporary Brace
2 x 4 x 96" (5,1 x 10,2 x 243,8 cm)

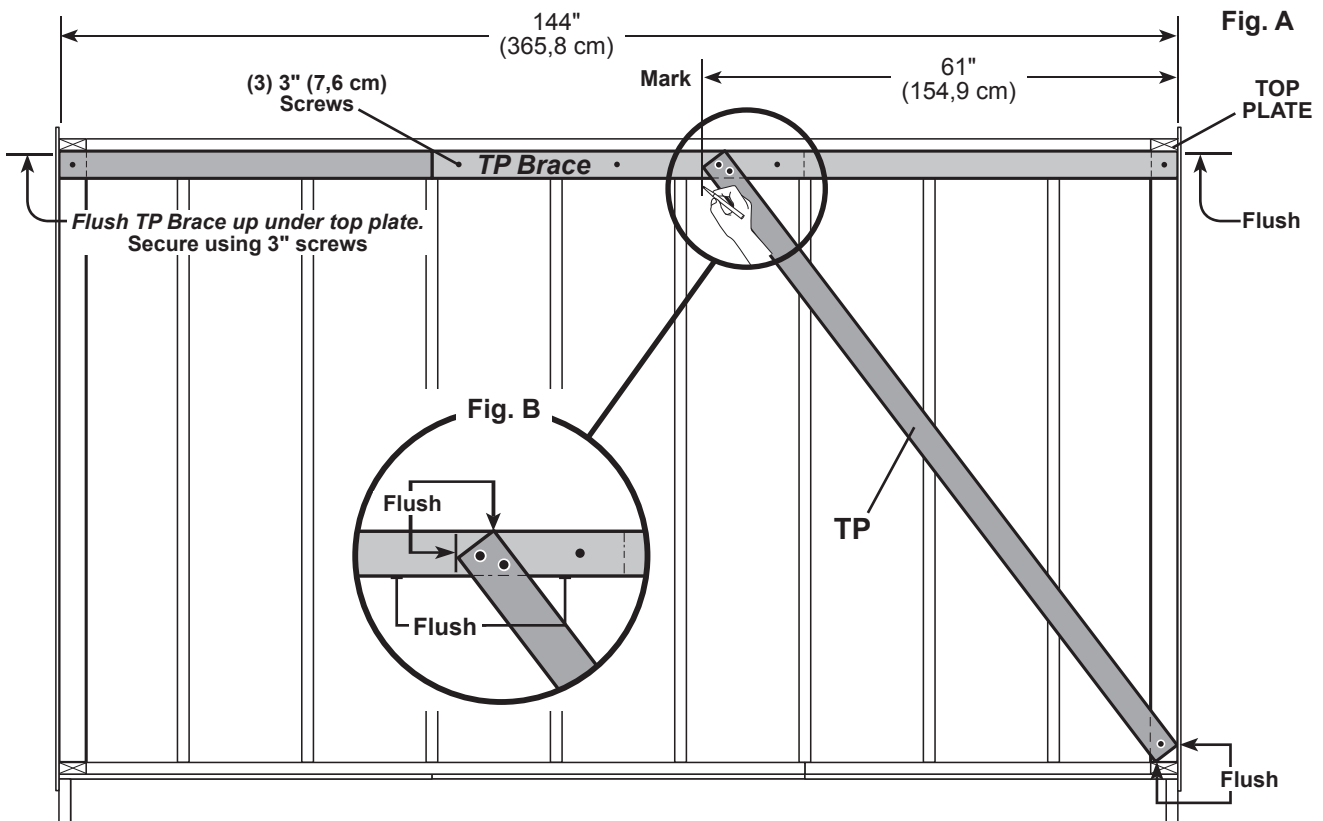


x8



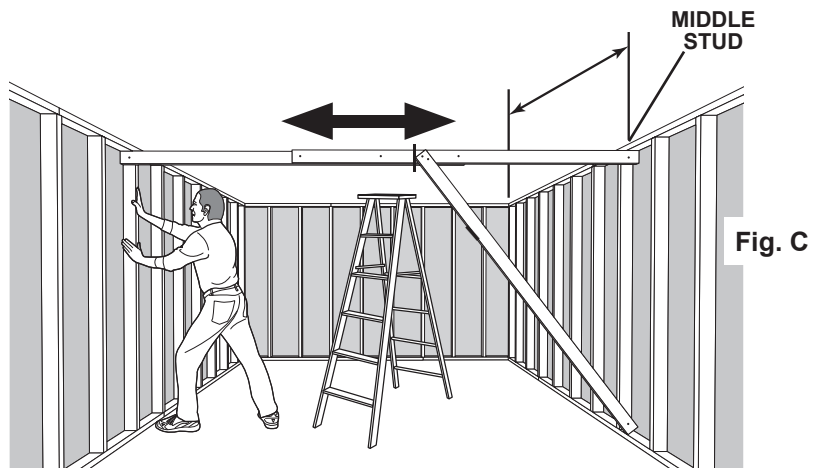
✓ BEGIN

- 1 Assemble two TP's with edges flush to 144" length using (3) 3" screws as shown (Fig. A). At the middle stud (Fig. C) install brace flush under top plate at each end using (1) 3" screw (Fig. A).
- 2 Measure from end of brace (inside wall panel) 61" (154,9 cm) and mark a vertical line on brace (Fig. A and B).
- 3 Locate a TP in approximately the position shown in Fig. A and attach at lower end using (1) 3" screw. With assistance, push or pull the wall until TP is flush to the mark and top of brace (Fig. A, B and C). Secure TP onto brace (Fig. B) using (2) 3" screws.



Leave your temporary brace in place until you finish attaching your roof panels.

HINT:



FINISH

You have finished squaring your eave walls.

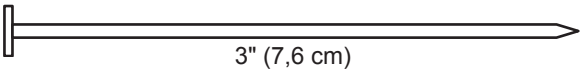
WALL DOUBLERS

PARTS REQUIRED:

x2 **STL**
2 x 4 x 44-1/2" (5,1 x 10,2 x 113 cm)

x2 **UL**
2 x 4 x 92-5/8" (5,1 x 10,2 x 235,3 cm)

x6 **TP**
2 x 4 x 96" (5,1 x 10,2 x 243,8 cm)

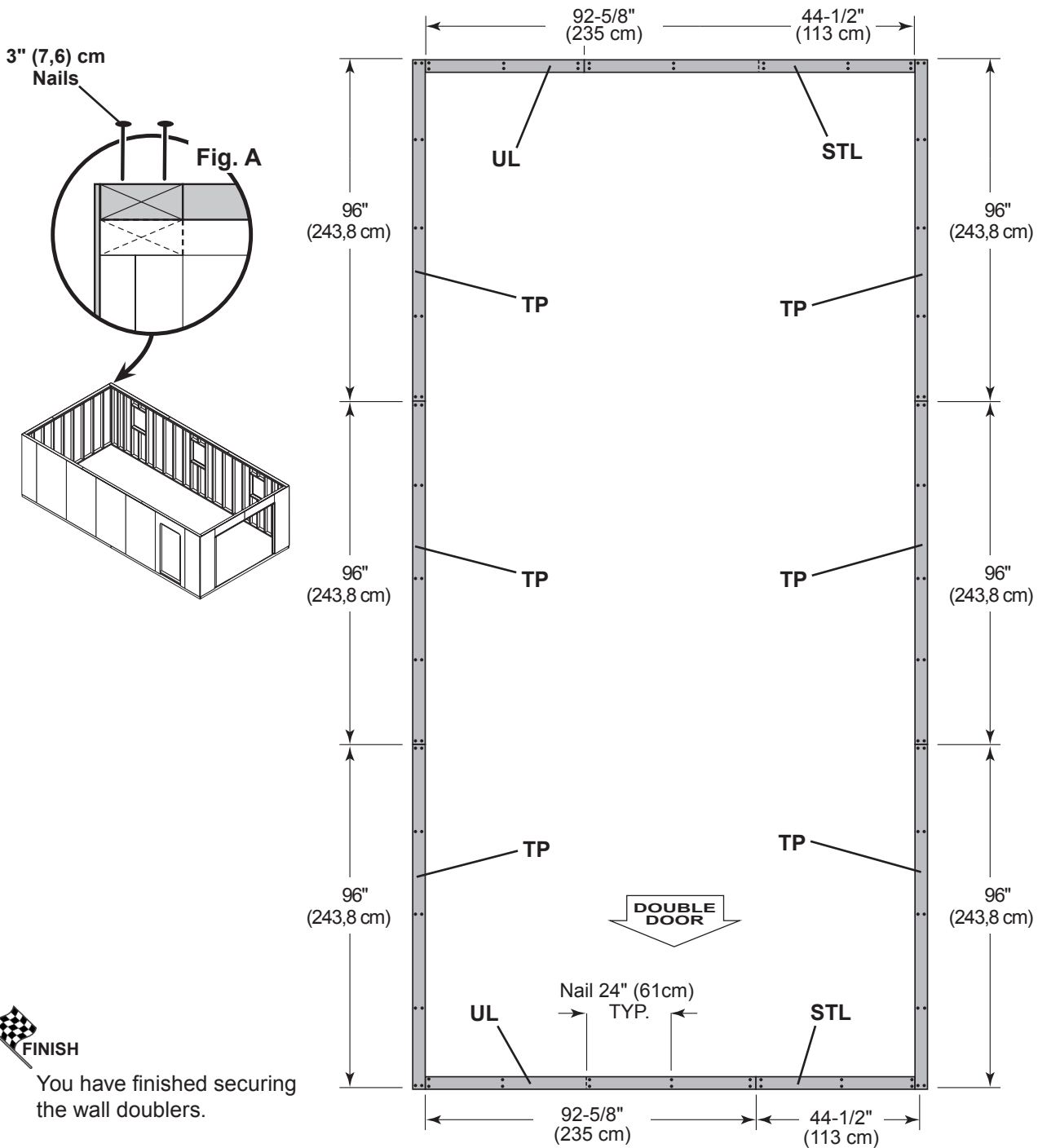
x96  3" (7,6 cm)



✓ BEGIN

1 Orient parts on top of wall frames.


Secure from top using (2) 3" nails spaced every 24" (Fig. A).

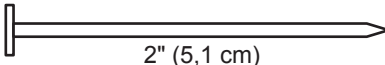


FINISH
You have finished securing the wall doublers.

RAFTERS

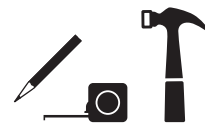
PARTS REQUIRED:

x24  6 x 24" (15,2 x 60,9 cm)

x288  2" (5,1 cm)


x1 **TP**
2 x 4 x 96" (5,1 x 10,2 x 243,8 cm) *Temporary Support*

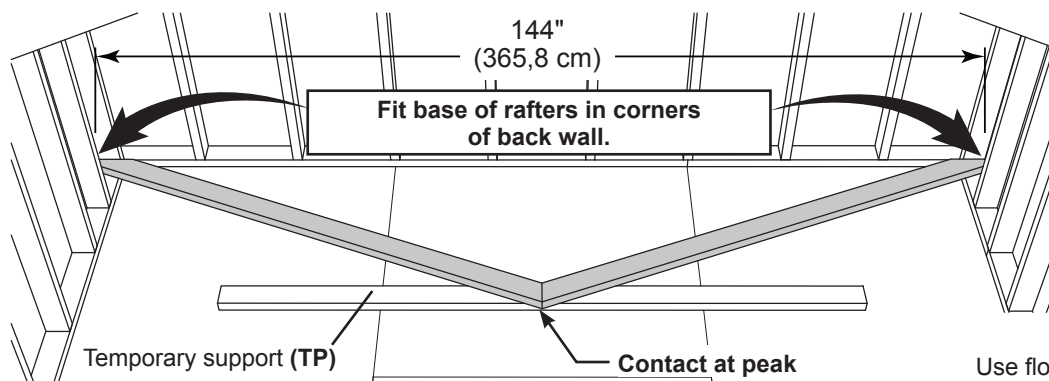
x26 **XYA**
2 x 4 x 81-7/8" (5,1 x 10,2 x 208 cm)



✓ BEGIN

1 Place two rafters (**XYA**) in the corner of back and side walls as shown. Rafters contact at peak.

 You will build **TWO** rafter assemblies with **ONE** gusset.
You will build **ELEVEN** rafter assemblies with **TWO** gussets.

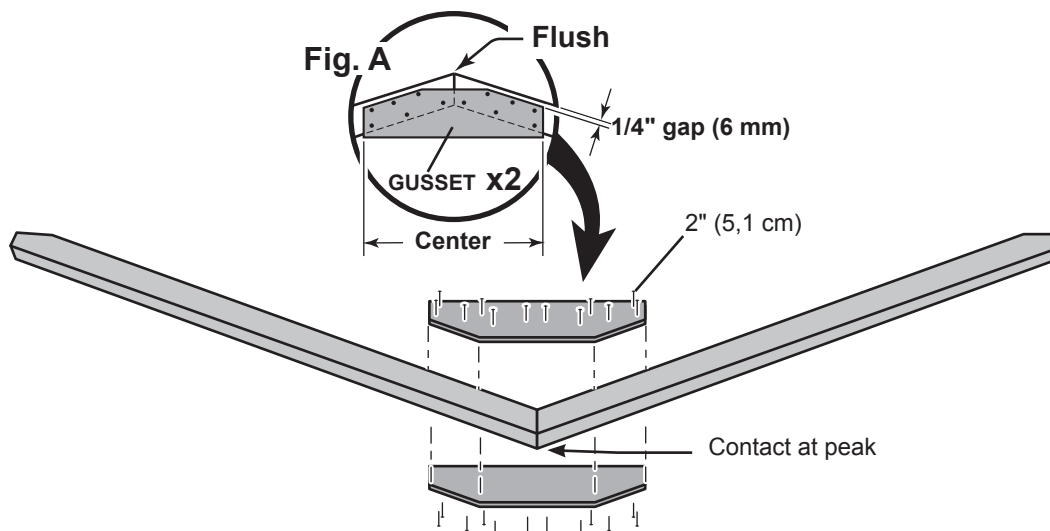


HINT:
Use floor and walls to help assemble rafters!

2 Secure gusset to rafters using 2" nails (**Fig. A**).

 **SET TWO SINGLE-GUSSET RAFTER ASSEMBLIES ASIDE.**
(These will be used as end rafters.)

3 Flip over rafter assembly and repeat STEP 2 to attach second gusset to other side.

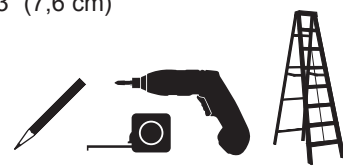
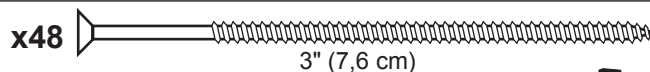
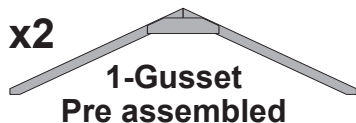


FINISH

You have finished assembling your rafters.

RAFTER INSTALLATION

PARTS REQUIRED:



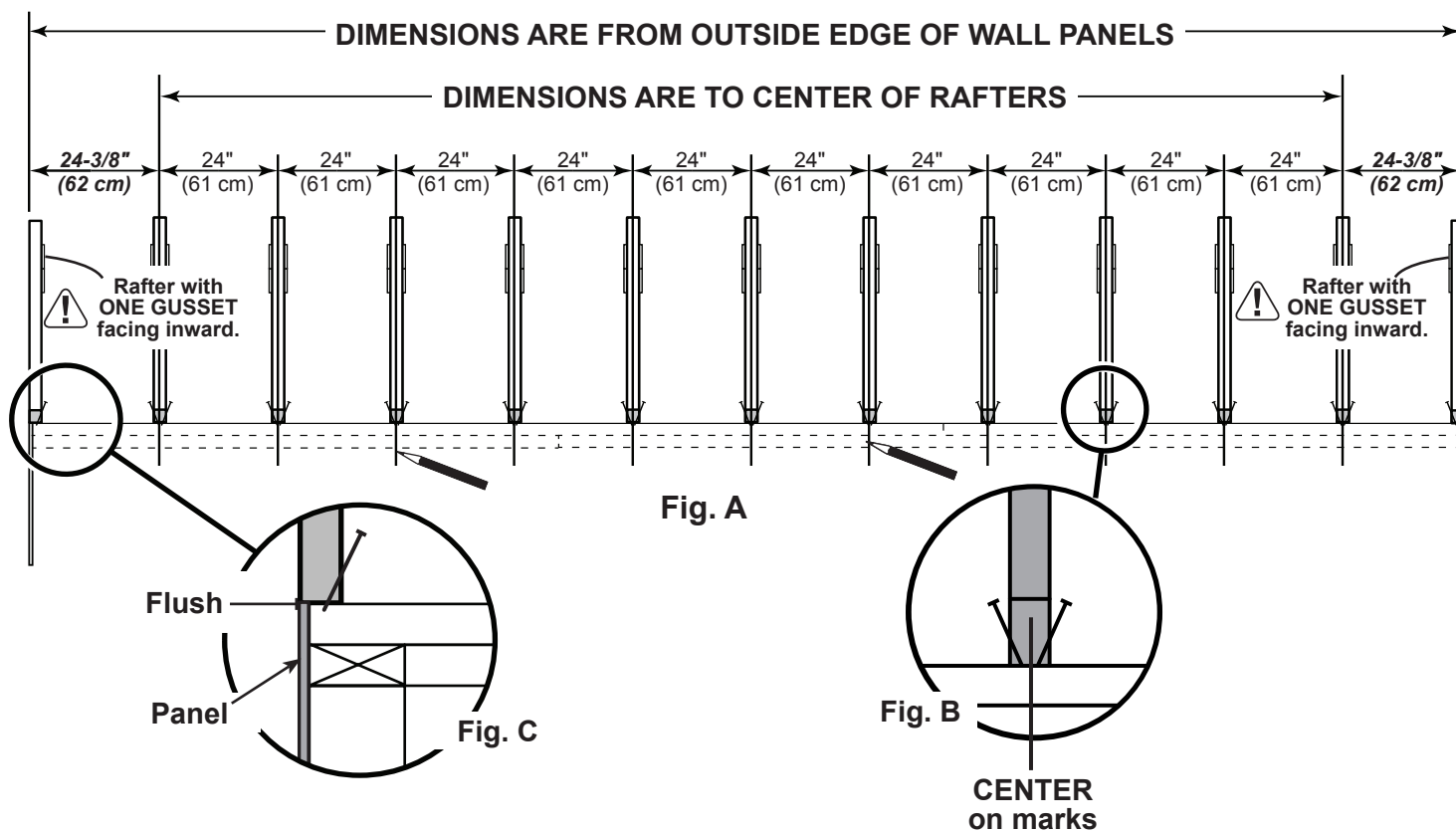
✓ **BEGIN**

1 On both 24' walls, measure and mark center-locations for all **2-Gusset Rafters** (Fig. A).



2 Install all **2-Gusset Rafters** using (2) 3" screws angled into top plate as shown in (Fig. B).

3 Install both **1-Gusset Rafters** flush to the outside edge of wall panel, using (1) 3" screw (Fig. C).

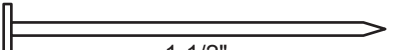


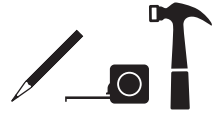
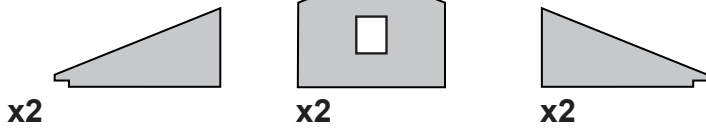
You have finished installing your rafters.

GABLE PANELS

PARTS REQUIRED:

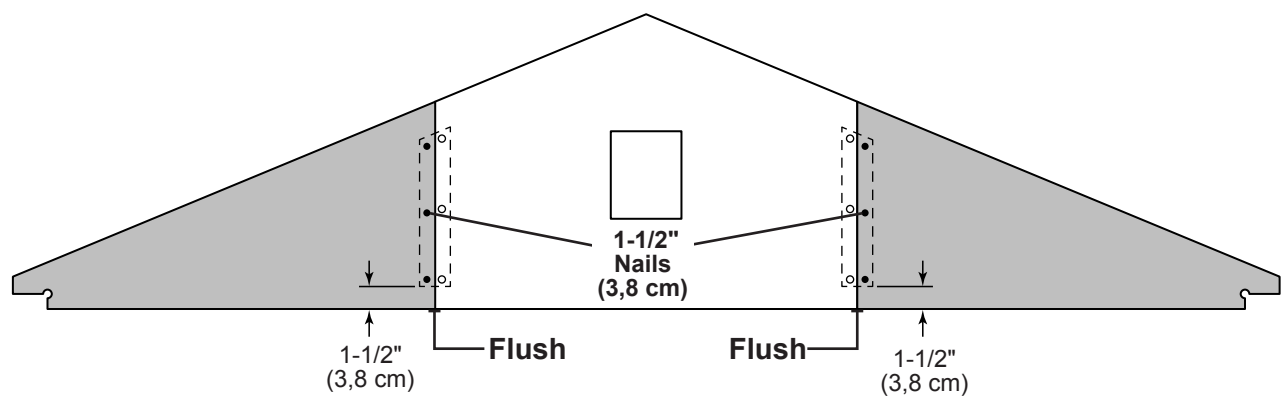
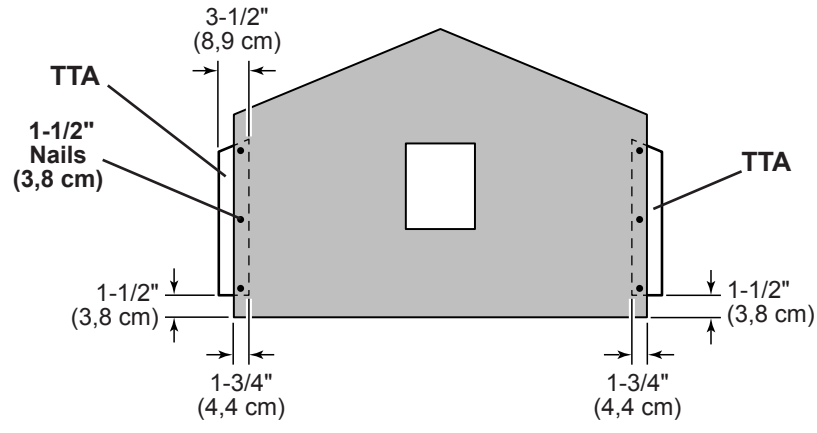
x4 **TTA**
2 x 4 x 23" (5,1 x 10,2 x 58,4 cm)

x24 
1-1/2"
(3,8cm)



✓ **BEGIN**

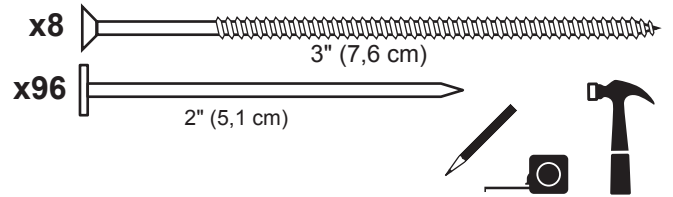
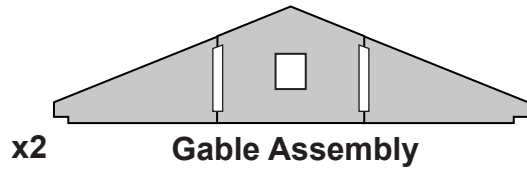
- 1** Place center gable panel on **TTA** primed side up as shown.
Nail panel using 1-1/2" nails.
- 2** Place left and right panels on **TTA** flush to center gable panel.
Nail panel using 1-1/2" nails.



- 3** Repeat STEPS 1 - 2 for opposite side gable panel assembly.

GABLE PANELS

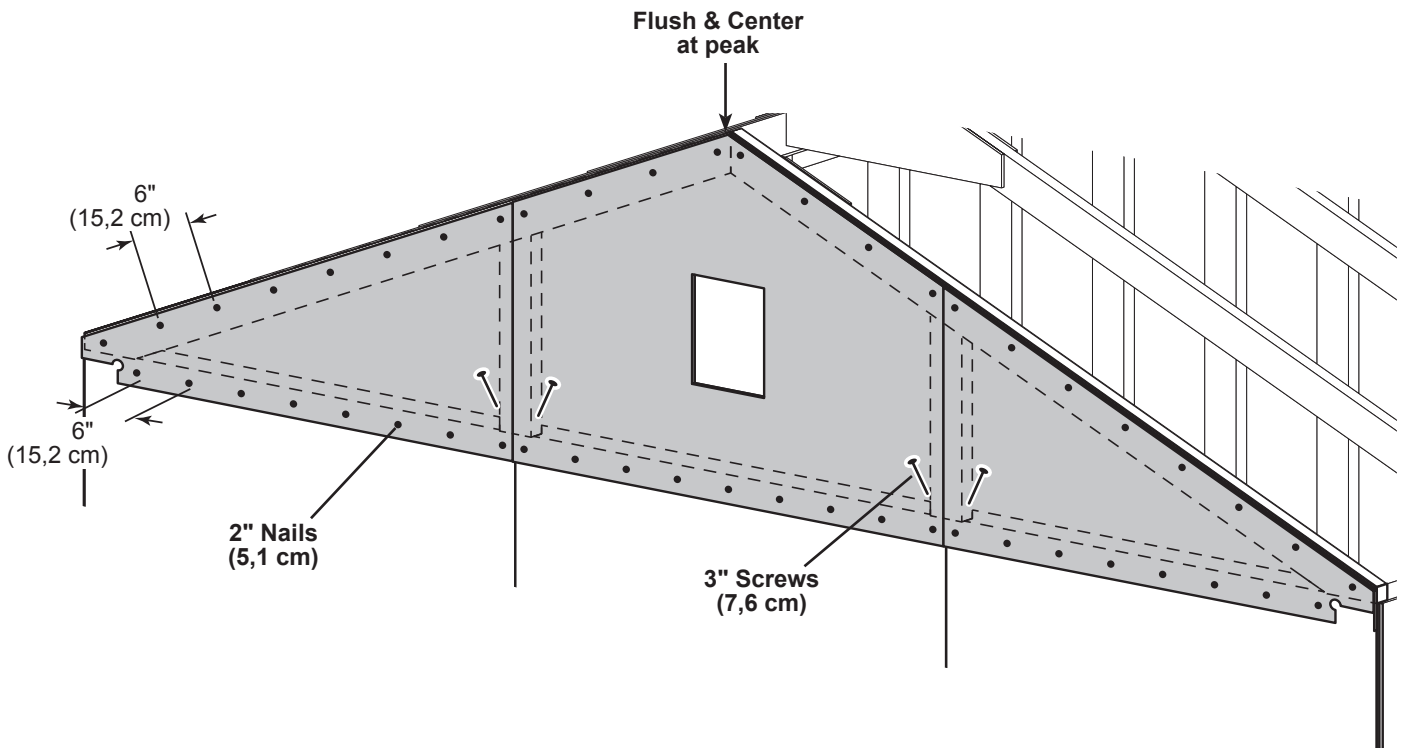
PARTS REQUIRED:



- 4 Center gable assembly on back wall.
Nail using 2" nails 6" apart as shown.



- 5 From inside, toe-nail gable connectors TTA using 3" nails.



- 6 Repeat STEPS 4 - 5 to install gable panels at opposite side.



FINISH

You have finished installing your gable panels.

ROOF PANELS

PARTS REQUIRED:



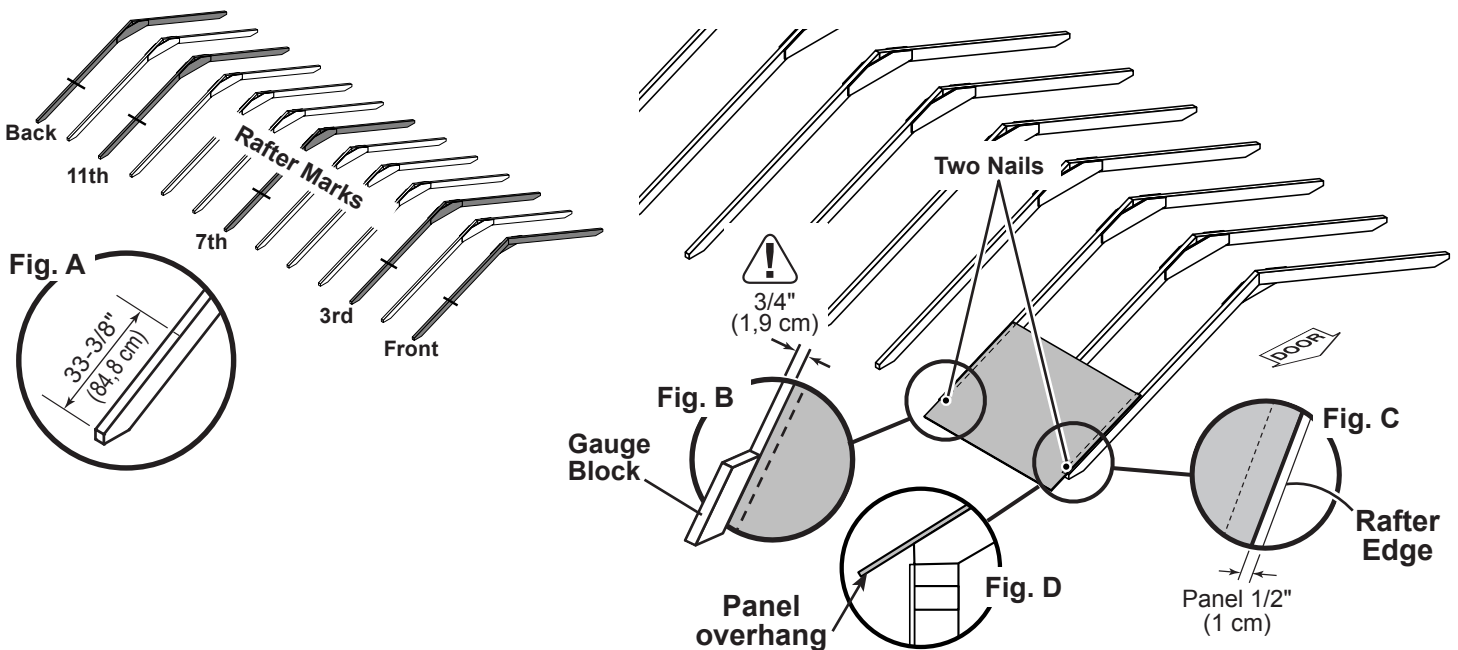
Roof panels may cause serious injury until securely fastened.



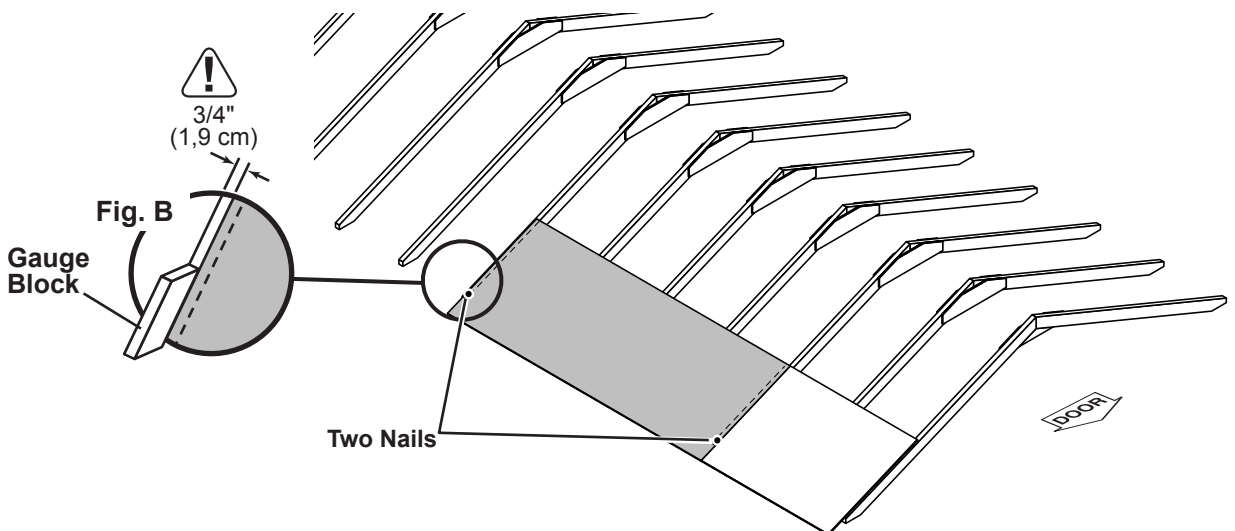
✓ **BEGIN**

Note: all roof panels need to be installed with the rough side up (painted grid lines).

- 1 Measure up 33-3/8" from the bottom of front, 3rd, 7th, 11th and back rafters. Mark a line across each rafter (Fig A).
- 2 Place the 47-7/8" x 39-3/4" panel flush to the rafter marks. Panel should be at 1/2" from the outside edge of the first rafter (Fig. C). Use the 3/4" gauge block **GAA** to center panel over the rafter (Fig B). Secure panel using (2) 2" nails in the corners as shown. Panel will overhang 6-1/2" (Fig D).

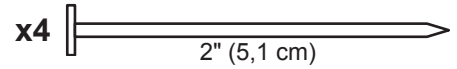
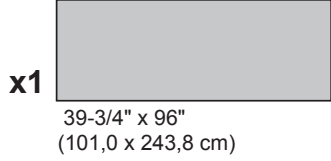
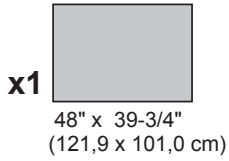


- 3 Place 1st 96" x 39-3/4" roof panel flush to the rafter marks and flush to the installed panel. Use the 3/4" gauge block **GAA** to center panel over the rafter (Fig B). Secure panel using (2) 2" nails in the corners. Panel will overhang 6-1/2" (Fig D).

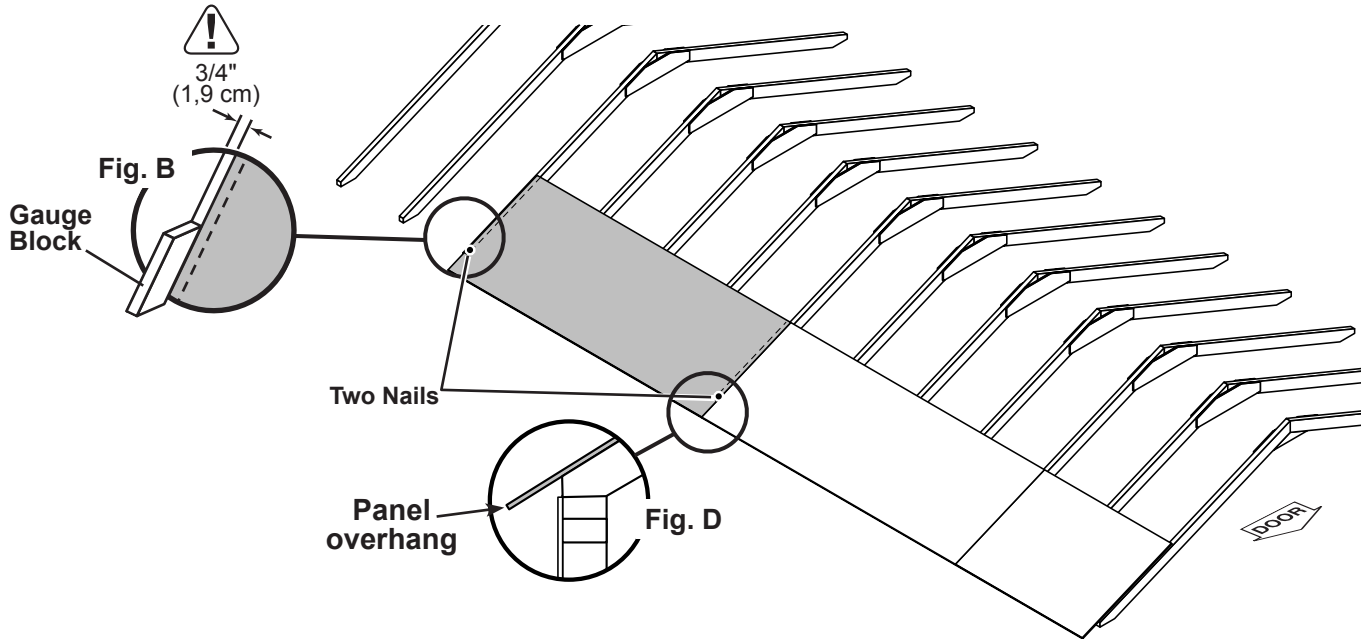


ROOF PANELS

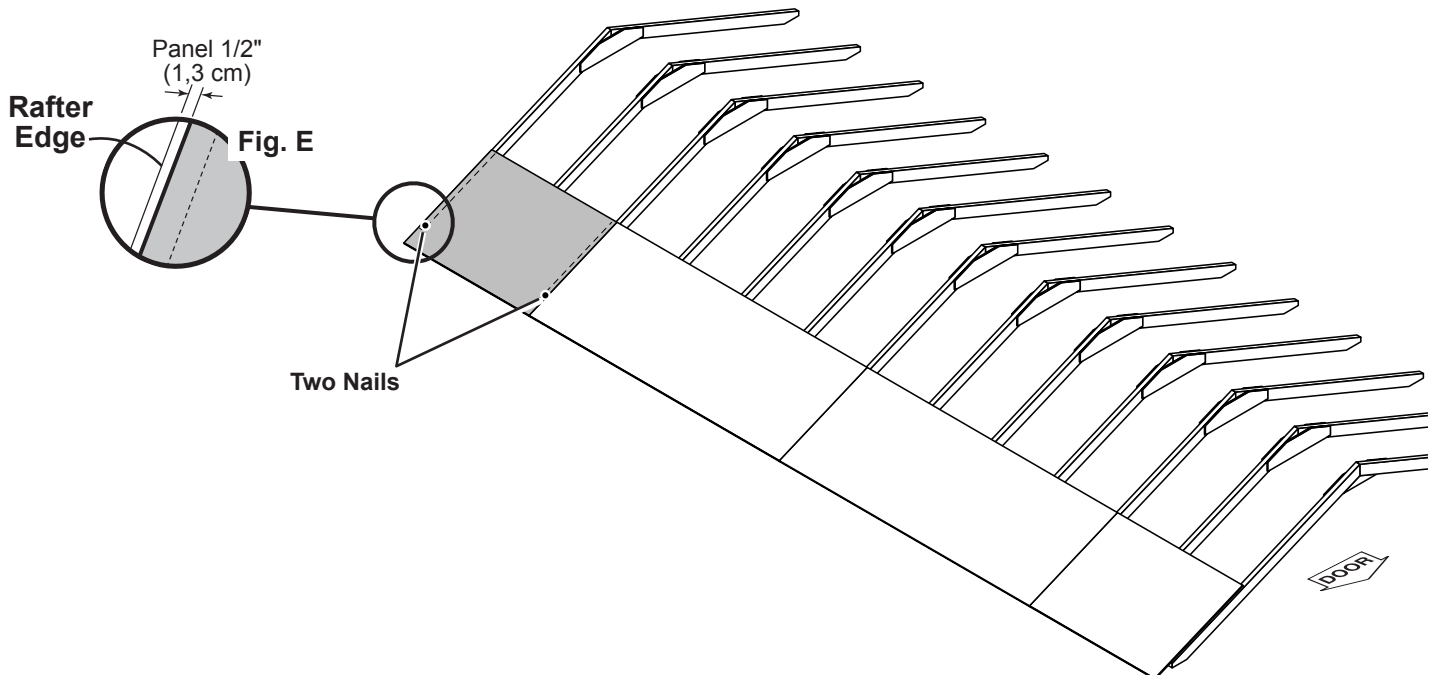
PARTS REQUIRED:



- 4** Place 2nd 96" x 39-3/4" roof panel flush to the rafter marks and flush to the installed panel. Use the 3/4" gauge block **GAA** to center panel over the rafter (**Fig B**). Secure panel using (2) 2" nails in the corners. Panel will overhang 6-1/2" (**Fig D**).

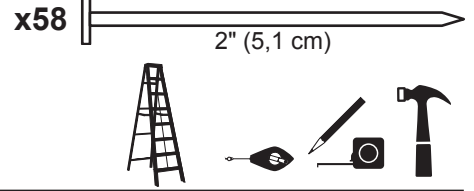
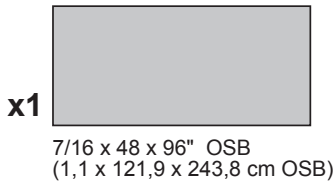


- 5** Place 2nd 47-7/8" x 39-3/4" panel flush to the rafter marks. Panel should be a 1/2" from the outside edge of the end rafter (**Fig. E**). Secure panel using (2) 2" nails in the corners as shown. Panel will overhang 6-1/2" (**Fig D**).

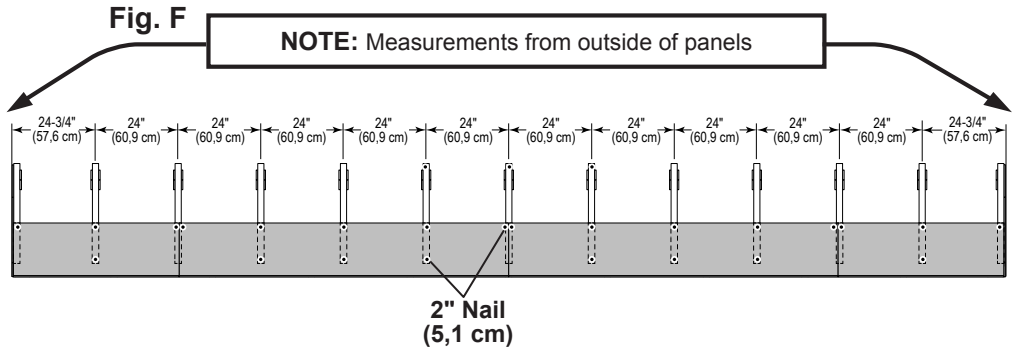


ROOF PANELS

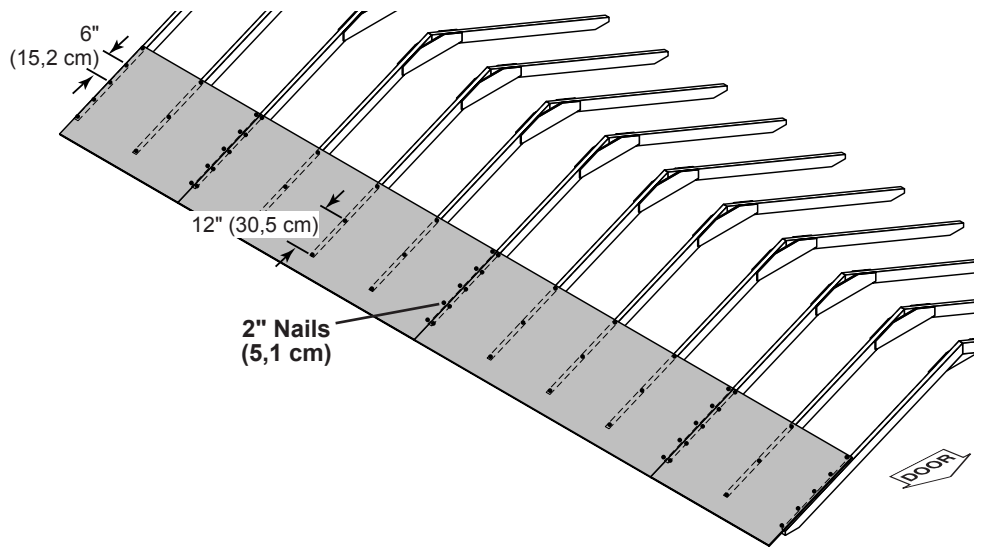
PARTS REQUIRED:



6 Keep spacing between the center of each rafter and secure using (2) 2" nails into each rafter (**Fig. F**).



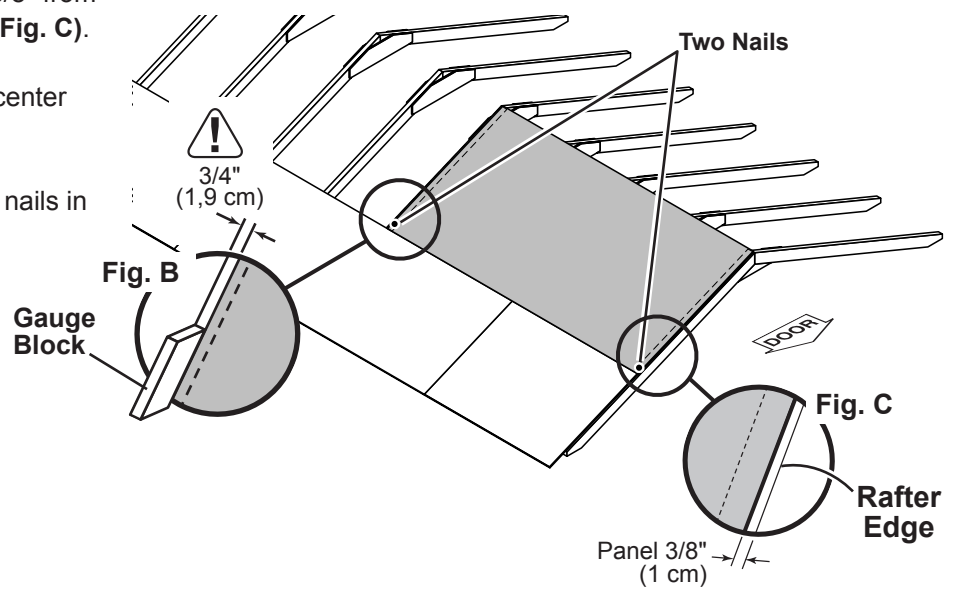
Secure the roof panels using 2" nails 6" apart on edges and 12" apart inside panel.



7 Place 1st upper 48" x 96" panel flush to installed panels. Panel should be 3/8" from the outside edge of the first rafter (**Fig. C**).

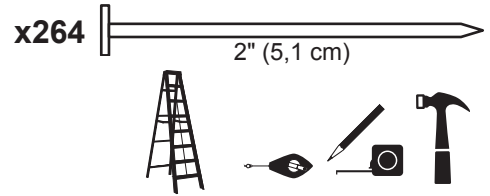
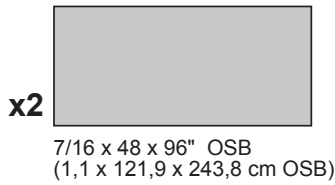
Use the 3/4" gauge block **GAA** to center panel over the rafter (**Fig B**).

Secure panel using (2) 2" (5,1 cm) nails in the corners as shown.



ROOF PANELS

PARTS REQUIRED:



- 8** Place 2nd upper 48" x 96" panel flush to installed panels.

Use the 3/4" gauge block **GAA** to center panel over the rafter (**Fig B**).

Secure panel using (2) 2" nails in the corners as shown.

- 9** Repeat STEP - 8 to install 2nd upper 48" x 96" panel. Panel should be 3/8" from the outside edge of the end rafter (**Fig. E**).

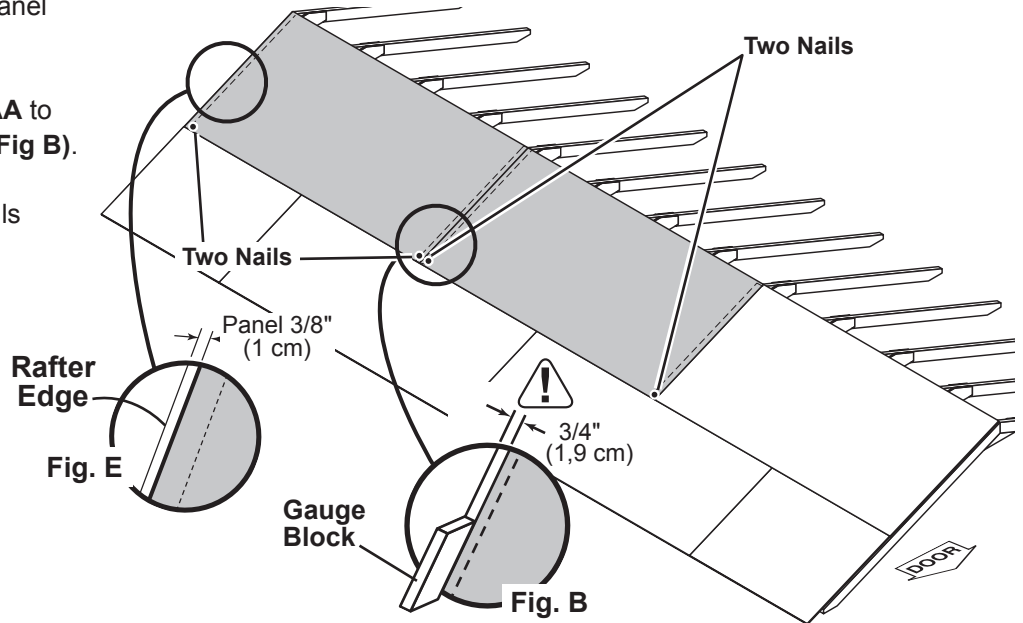
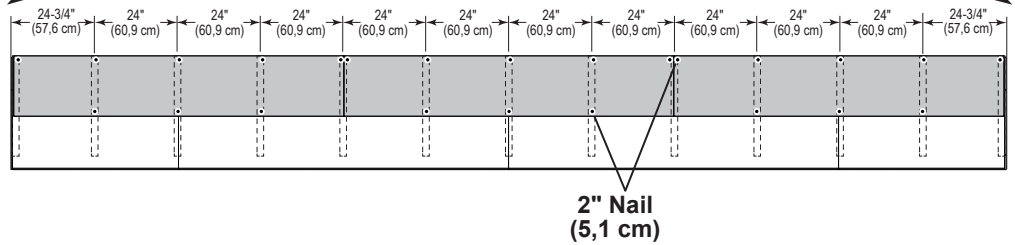


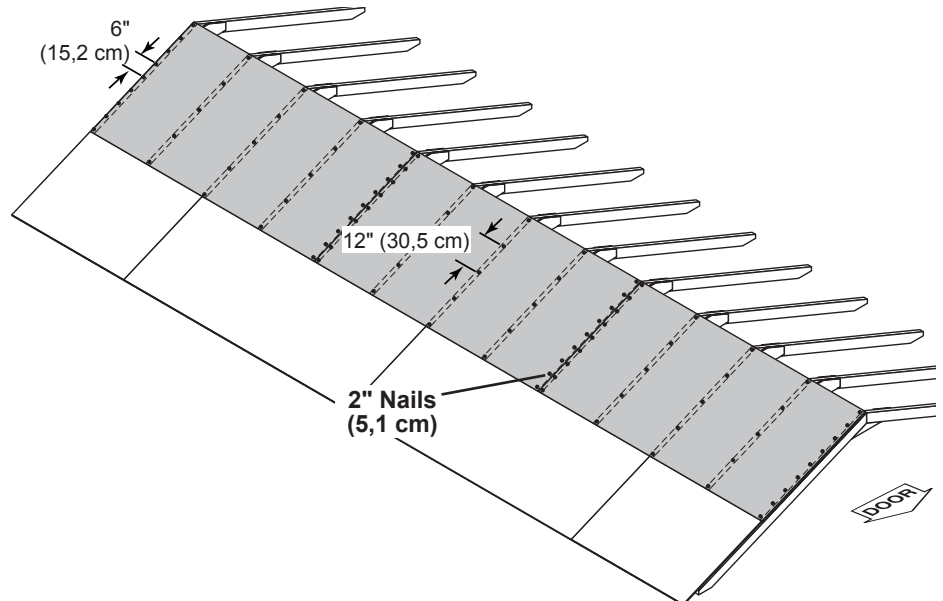
Fig. F

NOTE: Measurements from outside of panels

- 10** Keep spacing between the center of each rafter and secure using (2) 2" nails into each rafter (**Fig. F**).



- 11** Secure the roof panels using 2" nails 6" apart on edges and 12" apart inside panel.



- 12** Repeat STEPS 1 - 11 to install panels on opposite side of roof.



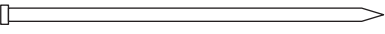
Your roof panels are now installed.

BACK WALL GABLE TRIM

PARTS REQUIRED:

x1 **YRL**
19/32" x 3-1/2" x 88-1/2" (1,5 x 10,2 x 224,8 cm)

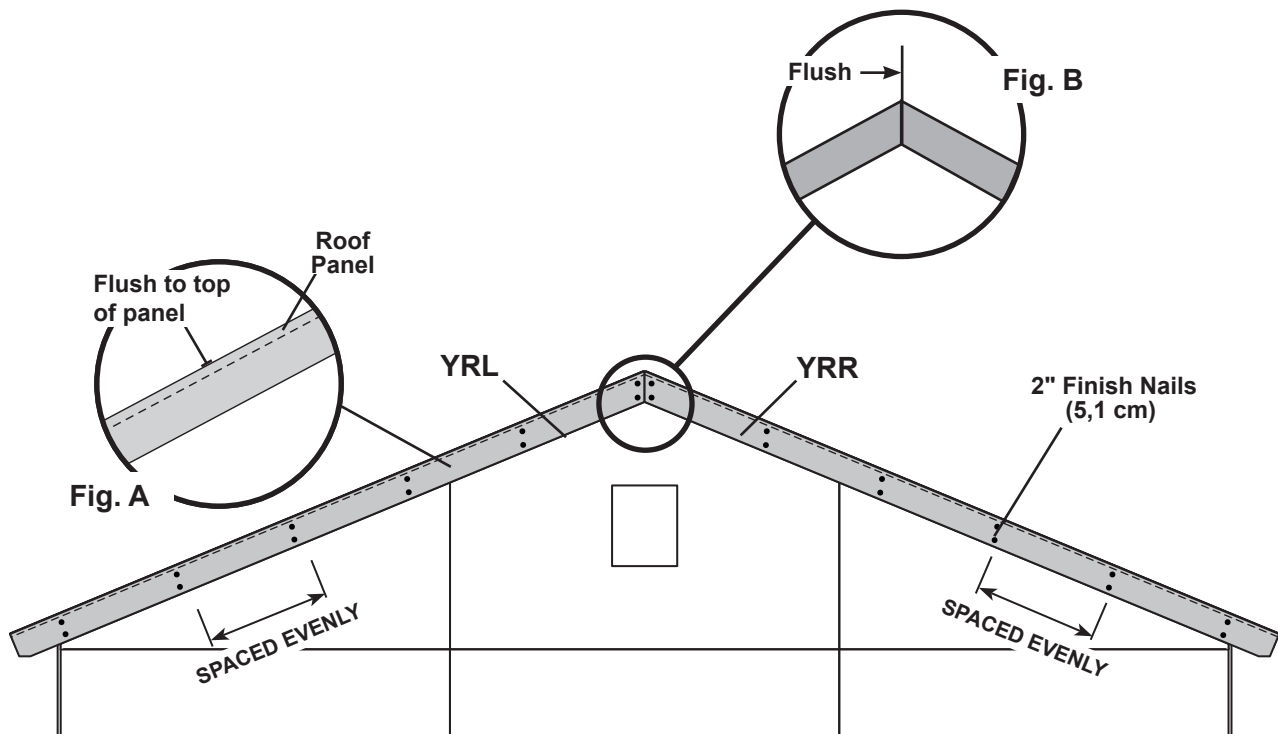
x1 **YRR**
19/32" x 3-1/2" x 88-1/2" (1,5 x 10,2 x 224,8 cm)

x24  2" (5,1 cm)



✓ **BEGIN**


1 Install back gable trim **YRL** and **YRR** flush to top of roof panel and flush at peak using 2" finish nails as shown (**Fig. A**, **Fig. B**).

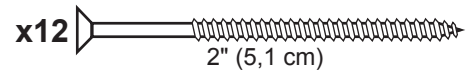


You have finished installing your back gable trim.

FRONT GABLE OVERHANG

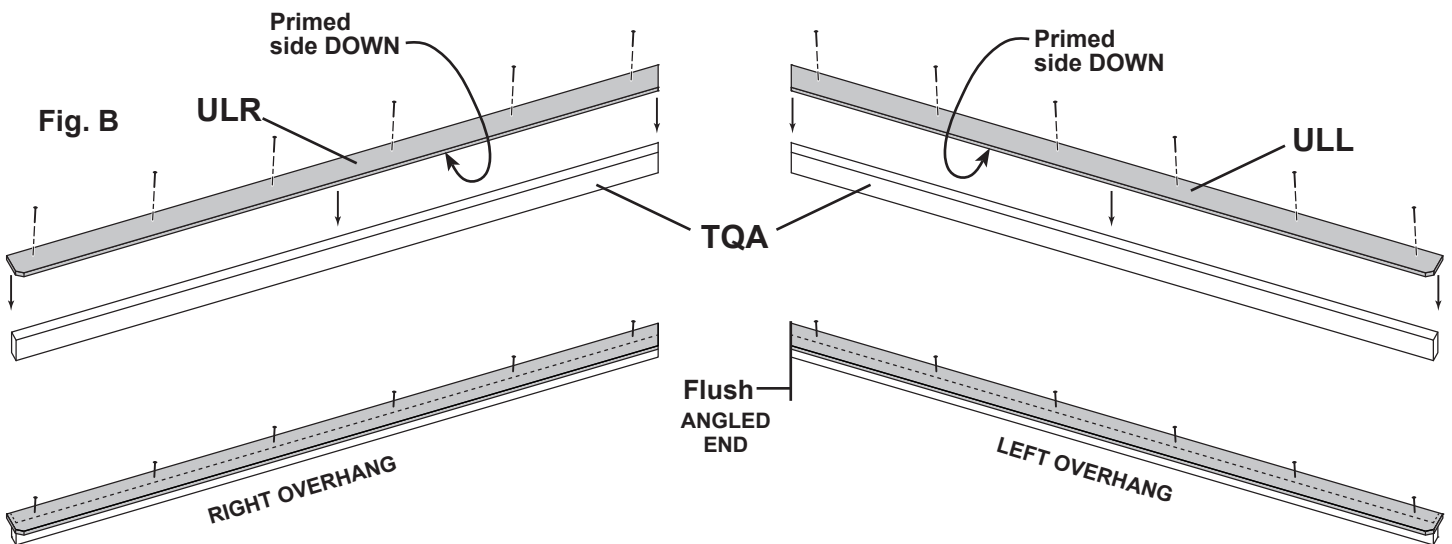
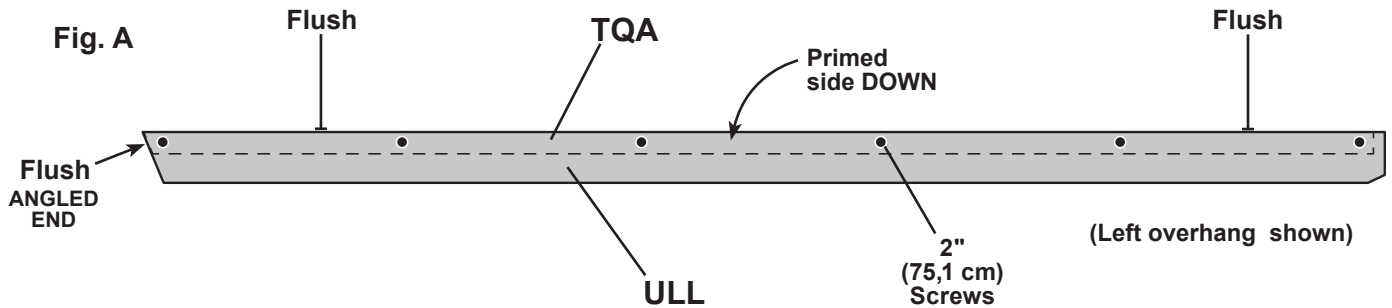
PARTS REQUIRED:

- x1 **ULL**
19/32" x 3-1/2" x 88-1/8" (1,5 x 10,2 x 223,8 cm)
- x1 **ULR**
19/32" x 3-1/2" x 88-1/8" (1,5 x 10,2 x 223,8 cm)
- x2 **TQA**  Angled End
2 x 4 x 88-1/8" (5,1 x 10,2 x 223,8 cm)



✓ BEGIN

- 1 Place **ULL** on top of **TQA**. Ensure parts are flush along edge and at angled end. Secure using 2" screws as shown (**Fig. A**, **Fig. B**).

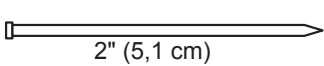
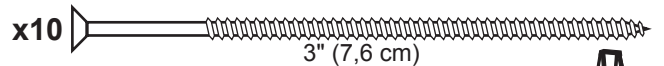




- 2 Repeat STEP 1 using **ULR** to build right overhang assembly.

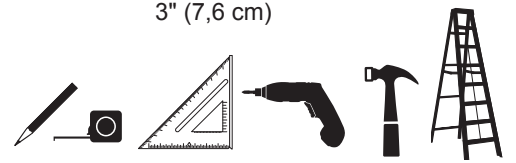


You have finished building your front gable overhang assemblies.

FRONT GABLE OVERHANG

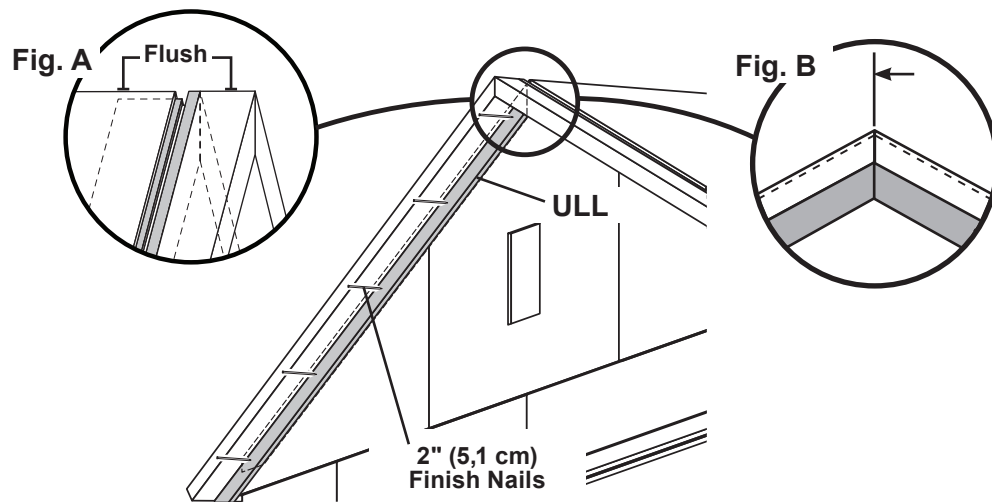
PARTS REQUIRED: x10  x10 

x1  Left Overhang Assembly
 x1  Right Overhang Assembly

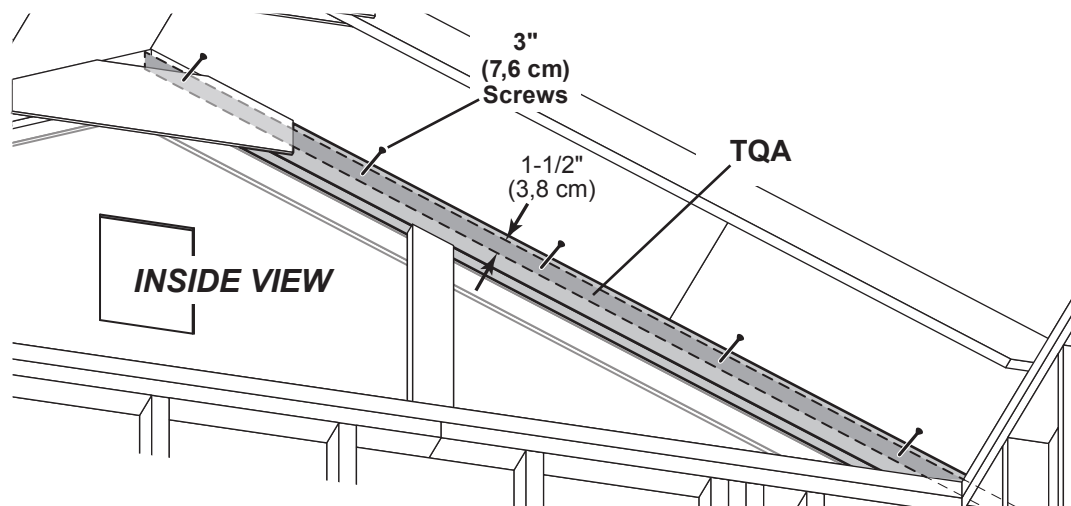


BEGIN

- 1 Install front left and right overhang assemblies flush to top of roof panel using (5) 2" finish nails and flush at peak (**Fig. A, Fig. B**).



- 2 Working from inside, screw through roof rafter into gable overhang 2 x 4 TQA. Use (5) 3" screws spaced apart evenly as shown.




You have installed your front gable overhang trim.

EAVE SOFFITS

PARTS REQUIRED:

x10 **ROS**
4/4 x 5-1/2" x 57-15/16" (2,5 x 14,0 x 147,2 cm)



x80 
1" (2,5 cm)

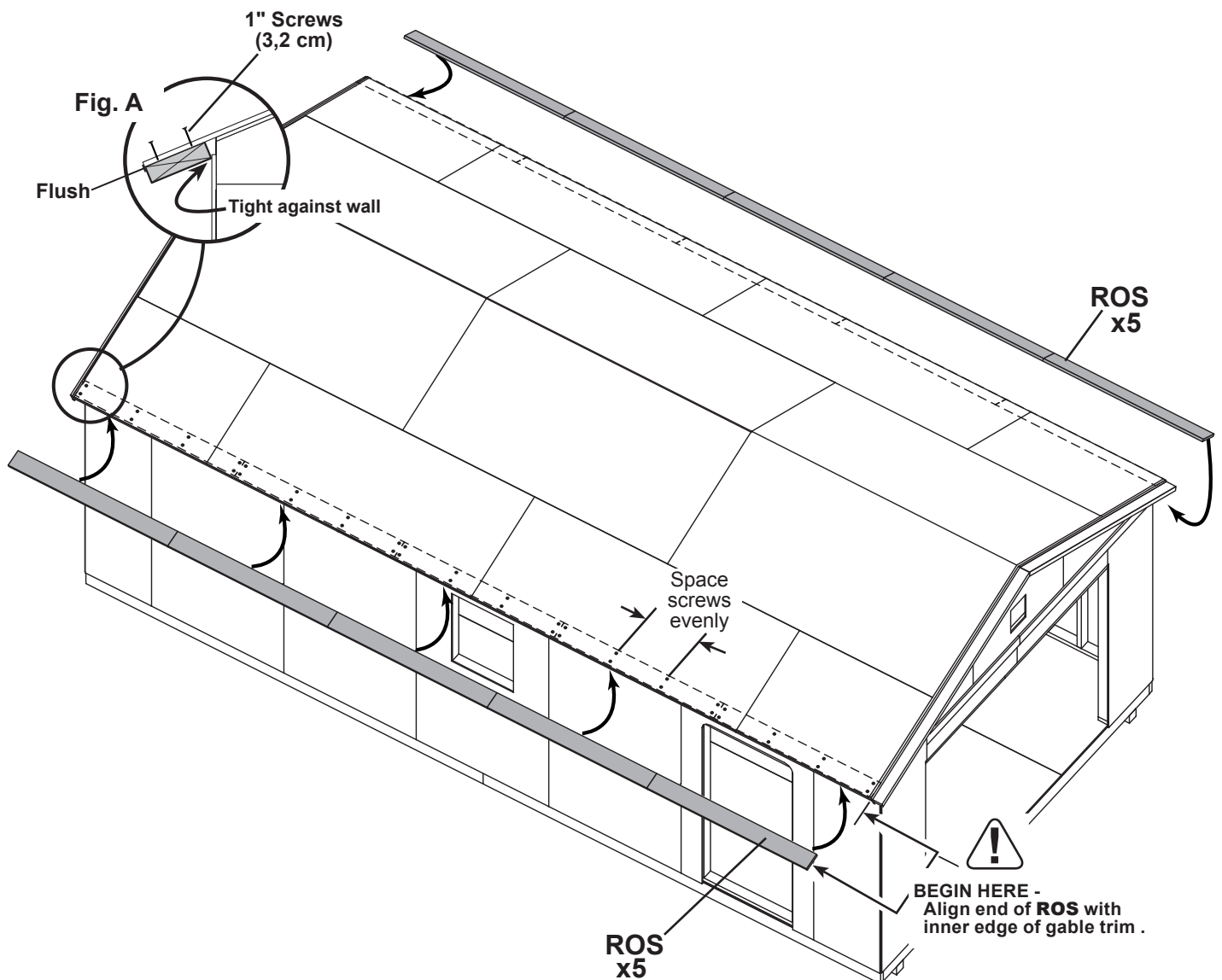


✓ **BEGIN**



1 Install 1st **ROS** under roof panel, tight against wall panels and flush to back edge of gable overhang using 1" screws (**Fig. A**).

2 Install **ROS** same as first **ROS**; with ends flush to the installed soffit boards.



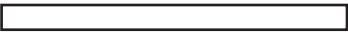
3 Repeat STEPS 1 - 2 on opposite side.

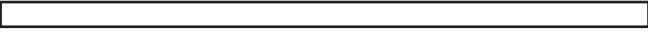


You have finished installing your soffits.

EAVE FASCIA

PARTS REQUIRED:

x2 
3/8 x 3 x 43-1/8" (1 x 7,6 x 109,5 cm)

x6 
3/8 x 3 x 83-1/2" (1 x 7,6 x 212,1 cm)



x44

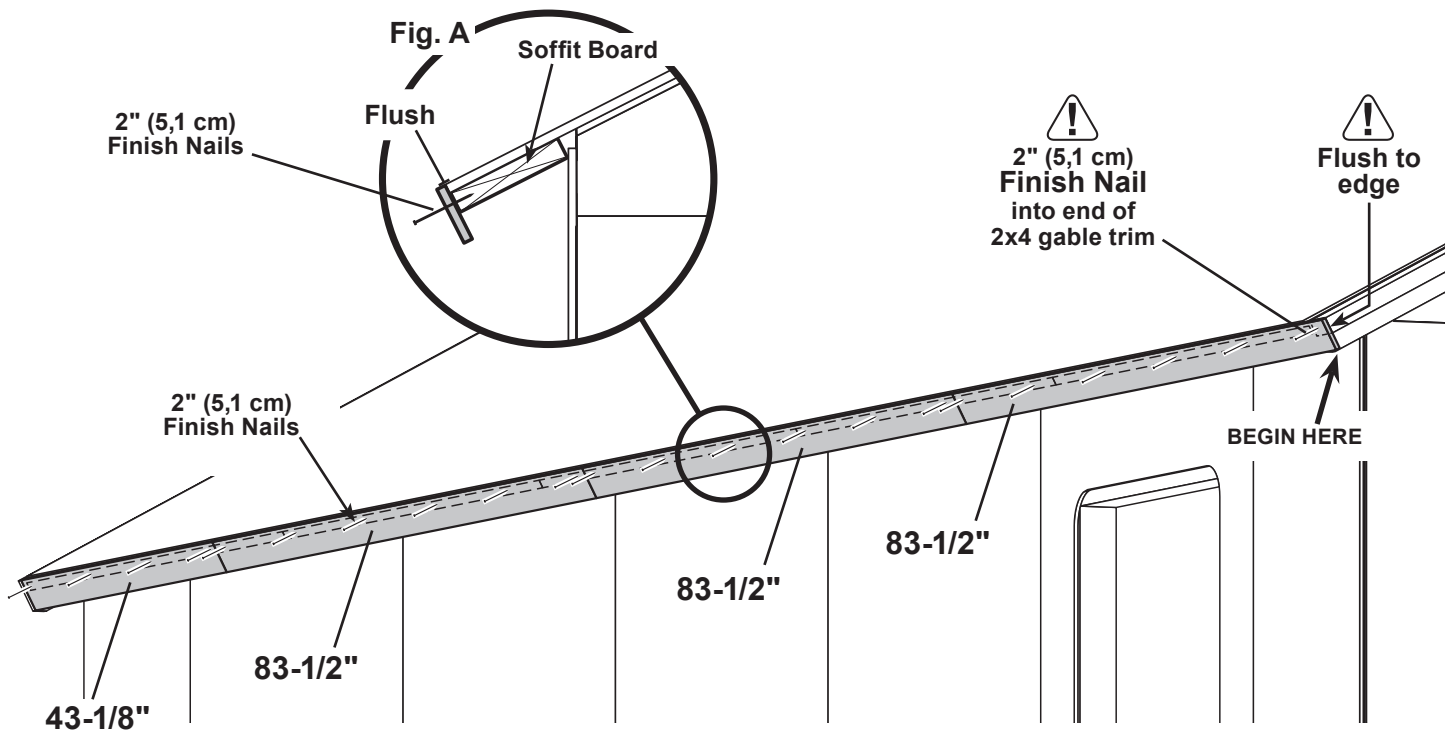
2" (5,1 cm)



✓ BEGIN

1 Install 1st **83-1/2"** fascia board flush to roof panel and flush to edge of 2x4 gable overhang using 2" finish nails (**Fig. A**).

2 Install two additional **83-1/2"** and one **43-1/8"** fascia boards as shown.



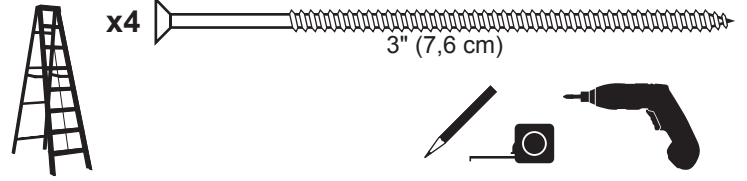
3 Repeat STEPS 1 - 2 to install fascia boards on opposite side.



You have finished installing your eave fascia boards.

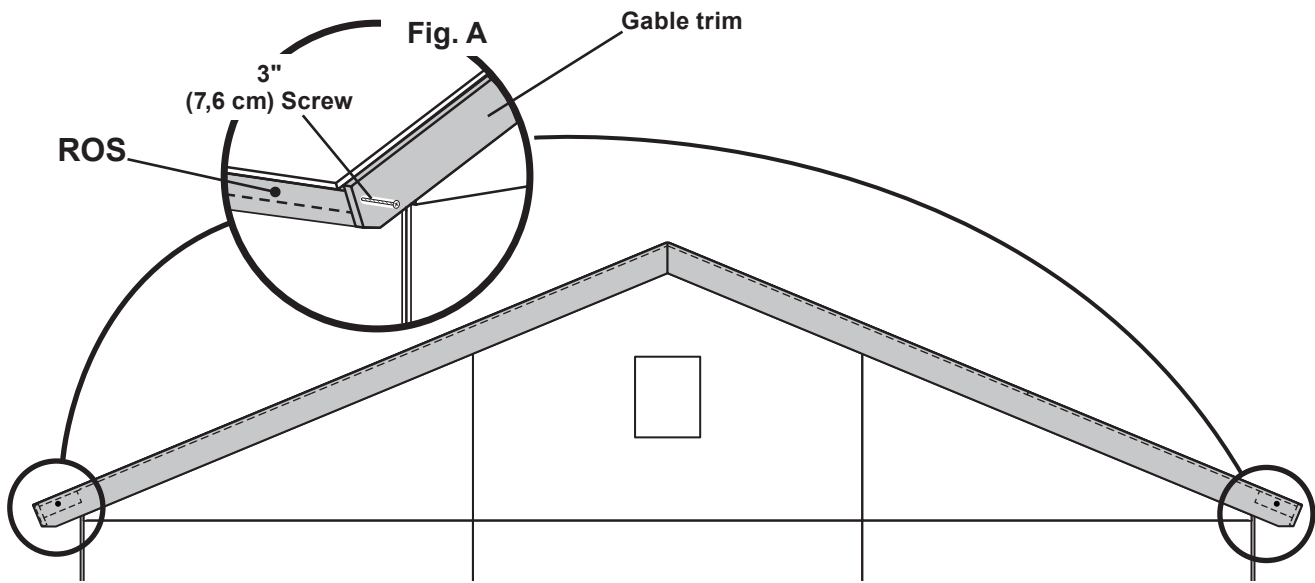
BACK GABLE TRIM ENDS

PARTS REQUIRED:



✓ BEGIN

1 Fasten back gable trim ends to **ROS** using (1) 3" screw on both sides (**Fig. A**).



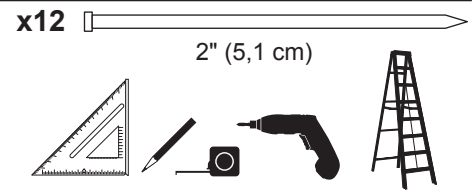
FINISH

You have finished securing your gable trim ends.

FRONT GABLE FASCIA

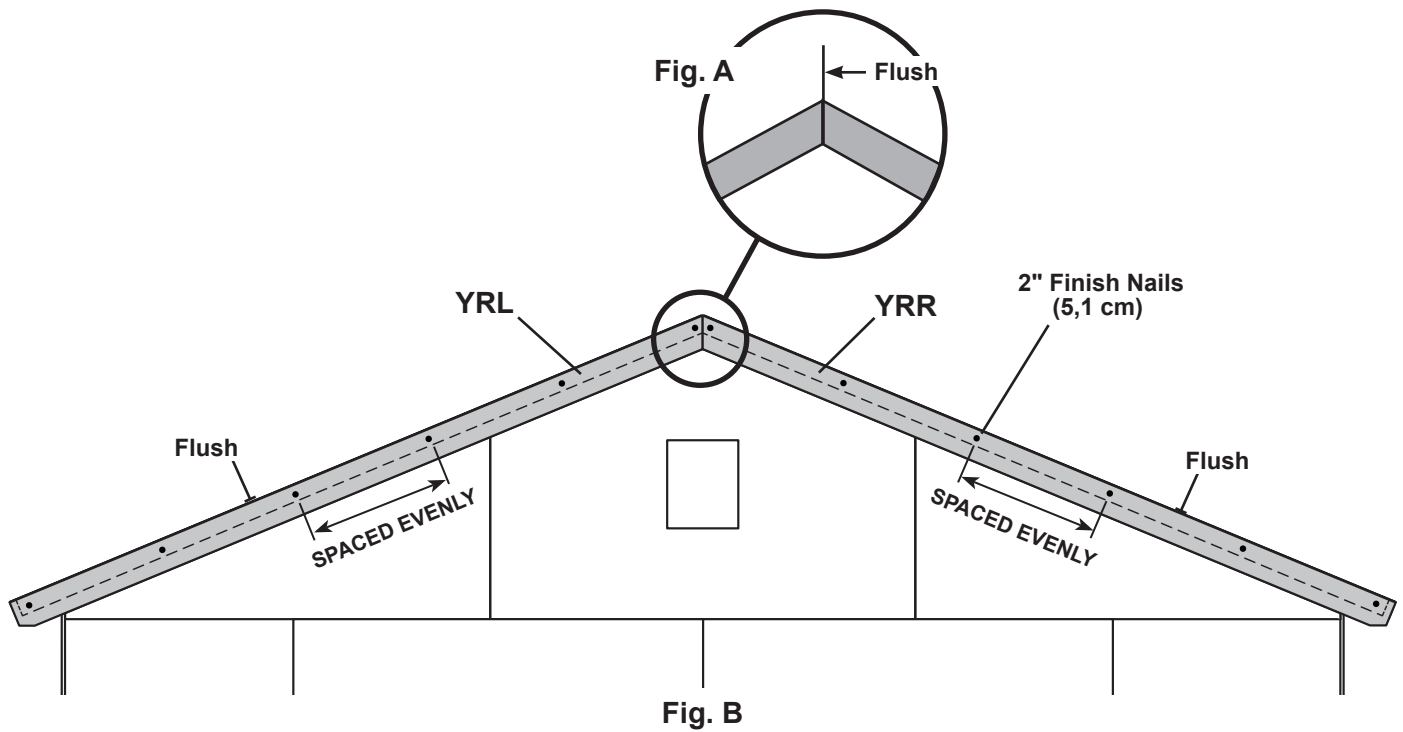
PARTS REQUIRED:

- x2 **YRL**
19/32" x 3-1/2" x 88-1/2" (1,5 x 10,2 x 224,8 cm)
- x2 **YRR**
19/32" x 3-1/2" x 88-1/2" (1,5 x 10,2 x 224,8 cm)



✓ **BEGIN**


- 1** Install **YRL** and **YRR** flush to the top of the gable (**Fig. A**).
Use 2" finish nails spaced evenly as shown (**Fig. B**).



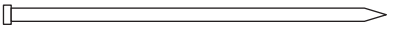
You have finished installing your front gable trim.

CORNER TRIM

PARTS REQUIRED:

x8 
3/8" x 3" x 83-1/2" (1 x 7,6 x 212,1 cm)

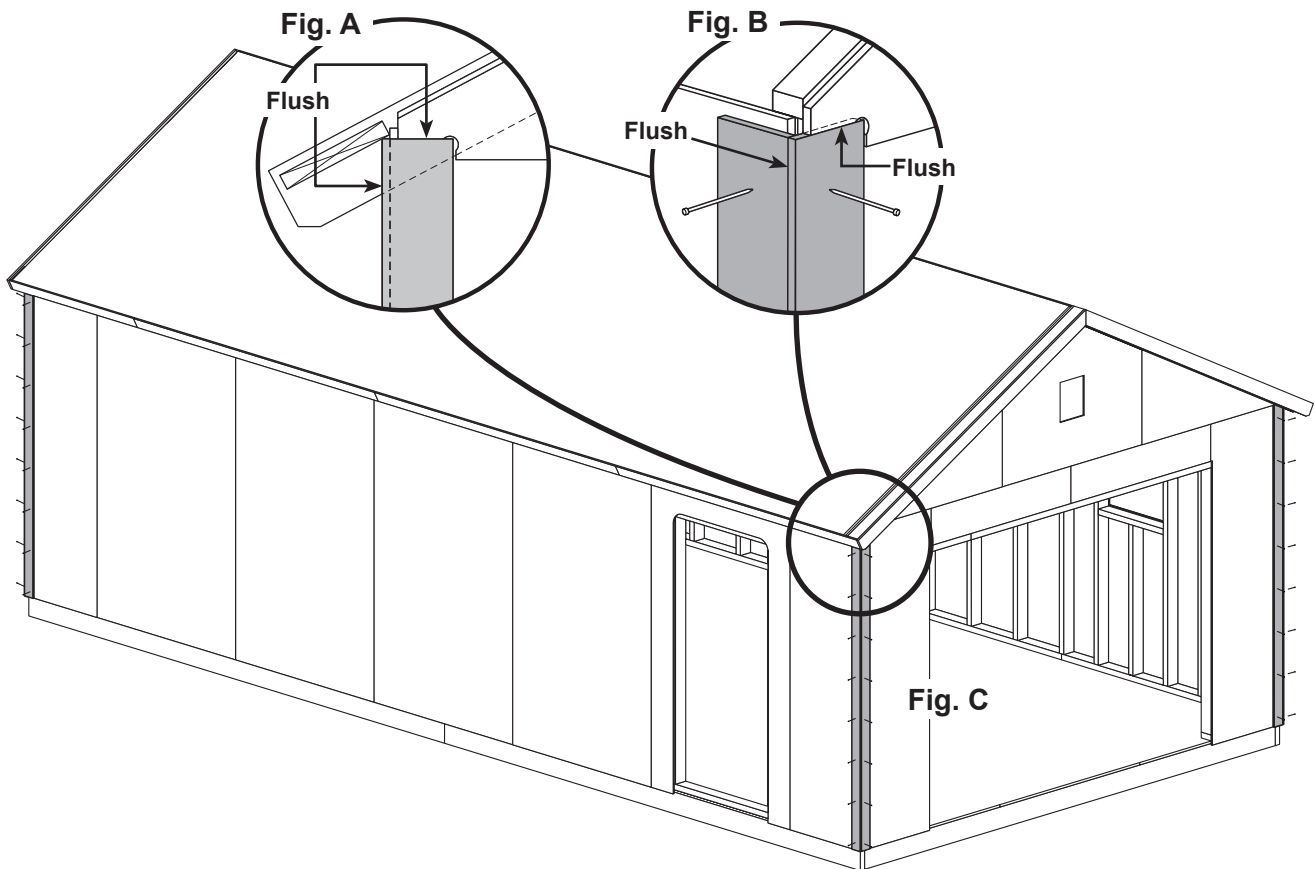


x64 
2" (5,1 cm)



✓ BEGIN

- 1 Place **83-1/2"** corner trim on front wall flush under gable panel corner notch and flush along side wall panel edge (**Fig. A, Fig. B**). Secure using 2" finish nails evenly spaced (**Fig. B, Fig. C**).
- 2 Fit 2nd **83-1/2"** corner trim flush to top of installed front corner trim and along edge (**Fig. A, Fig. B**). Secure using 2" finish nails evenly spaced (**Fig. B, Fig. C**).



- 3 Repeat STEPS 1 - 2 for other corners.



Your corner trim is now installed.

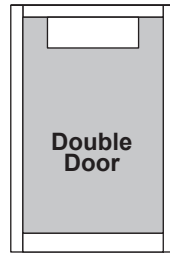
DOUBLE DOORS


PARTS REQUIRED:

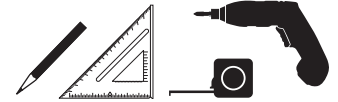
x4 **FTA**
 19/32" x 3-1/2" x 8-3/8" (1,5 x 8,9 x 16,5 cm)

x4 **NSA**
 19/32" x 3-1/2" x 41" (1,5 x 8,9 x 104,1 cm)

x2

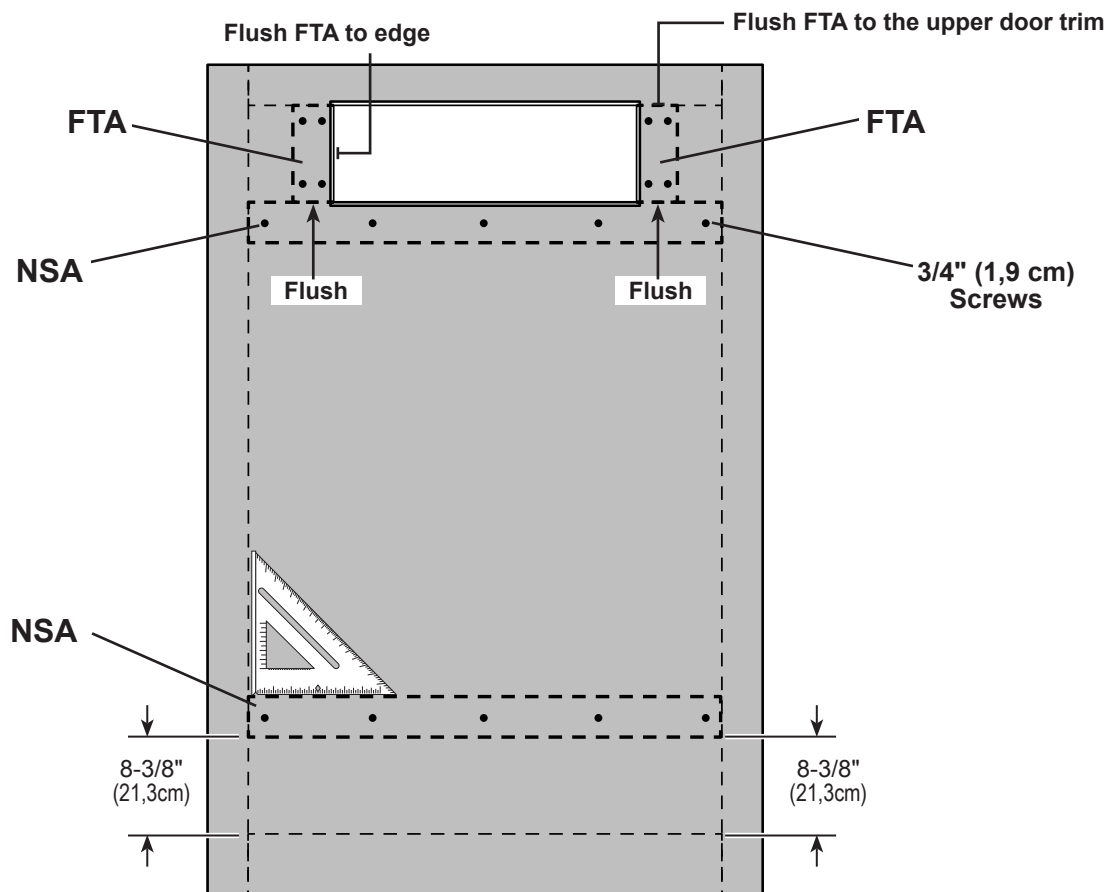


x36  3/4" (1,9 cm)



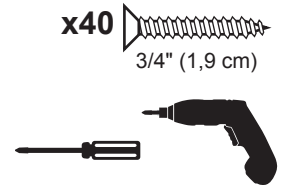
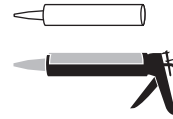
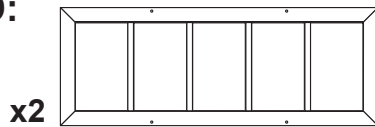
✓ BEGIN

- 1 On outside of double door, locate **FTA** flush to edge of window opening and upper door trim, as shown. Secure **FTA** from back side (inside) of door using 3/4" screws.
- 2 On outside of double door, locate **NSA** flush to edge of each **FTA**, as shown. Secure **NSA** from back side (inside) of door using 3/4" screws.
- 3 On outside of double door, measure and mark location of 2nd **NSA** as shown. Secure **NSA** from back side (inside) of door using 3/4" screws.

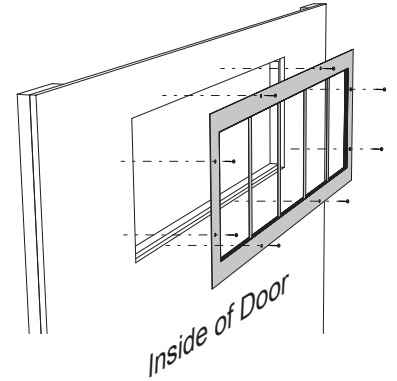


DOUBLE DOORS

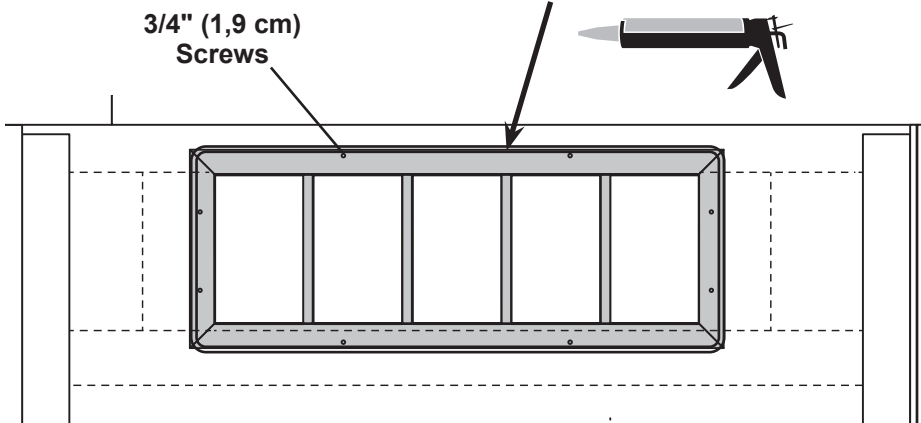
PARTS REQUIRED:



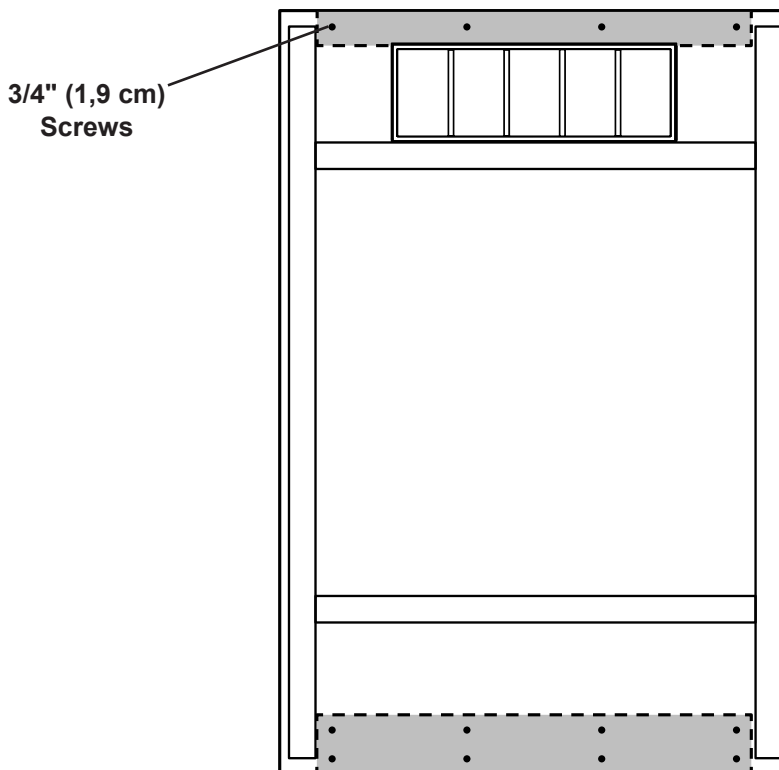
- 4 Place window in window opening on inside of door.
Seal window using high-quality exterior caulk before installing.
Secure window using 3/4" screws.



You must caulk completely around window frame to validate your warranty. Use a paintable exterior rated caulk.





- 5 Secure upper and lower horizontal door trim from back using 3/4" screws at locations shown.

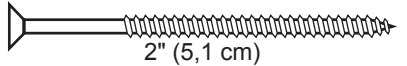


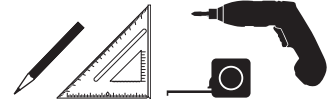
DOUBLE DOORS

PARTS REQUIRED:

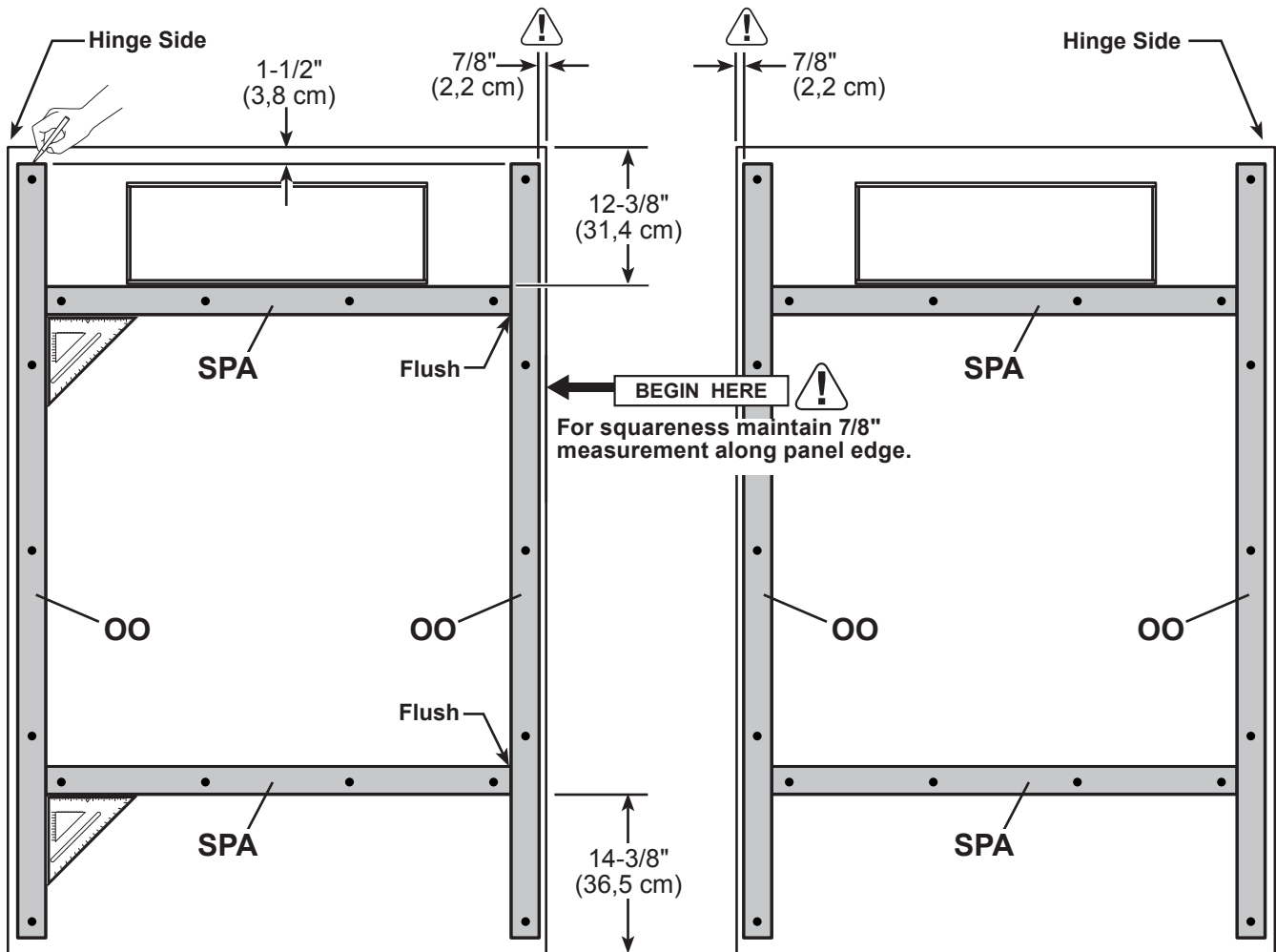
x4 **OO** 
69" Door Stiffener (175,3 cm)

x4 **SPA** 
41-1/2" Door Stiffener (105,4 cm)

x36 
2" (5,1 cm)



- 6 Place door **OO** 1-1/2" down from top of door panel and at 3/4" mark.
Secure **OO** using (5) 2" screws.
- 7 Place (2) parts **SPA** at measurements, square and flush to installed **OO**.
Secure each **SPA** using 2" screws.



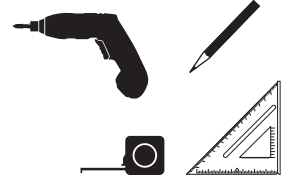
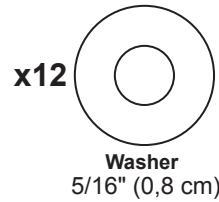
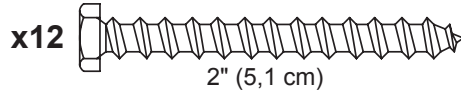
- 8 Place next **OO** indexed 1-1/2" down from top of panel, square and flush to installed parts **SPA**.
Secure **OO** using 2" screws.
- 9 Repeat STEPS 1 - 8 to pre-assemble your 2nd double door.



Your doors are now pre-assembled.

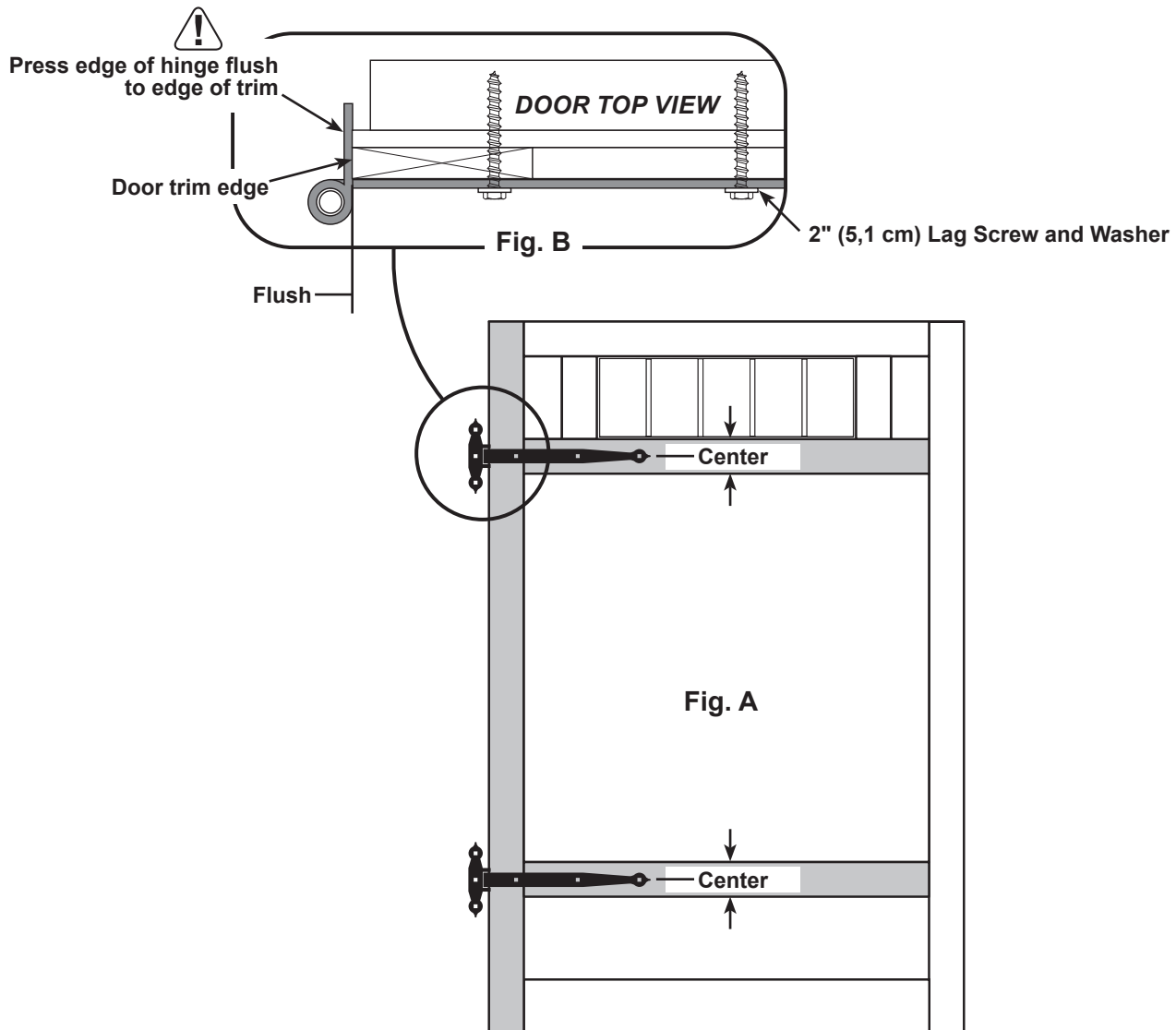
DOUBLE DOOR HINGES

PARTS REQUIRED:



BEGIN

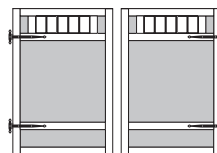
- 1 Locate hinges on front side of **LEFT** double door as shown. Center hinges on door trim and flush hinge at edge of trim. Pre-drill lag screw location using a 1/8" drill bit (**Fig. A**).
- 2 Secure hinges using 2" lag screws with washers (**Fig. B**).



- 3 Repeat STEPS 1 - 2 to install hinges on your **RIGHT** double door.
*Note: Hinges will go on the right side of the **RIGHT** door.*

FINISH

You have finished installing your double door hinges.

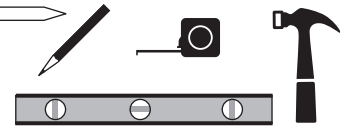


DOUBLE DOOR HINGE BOARDS

PARTS REQUIRED:

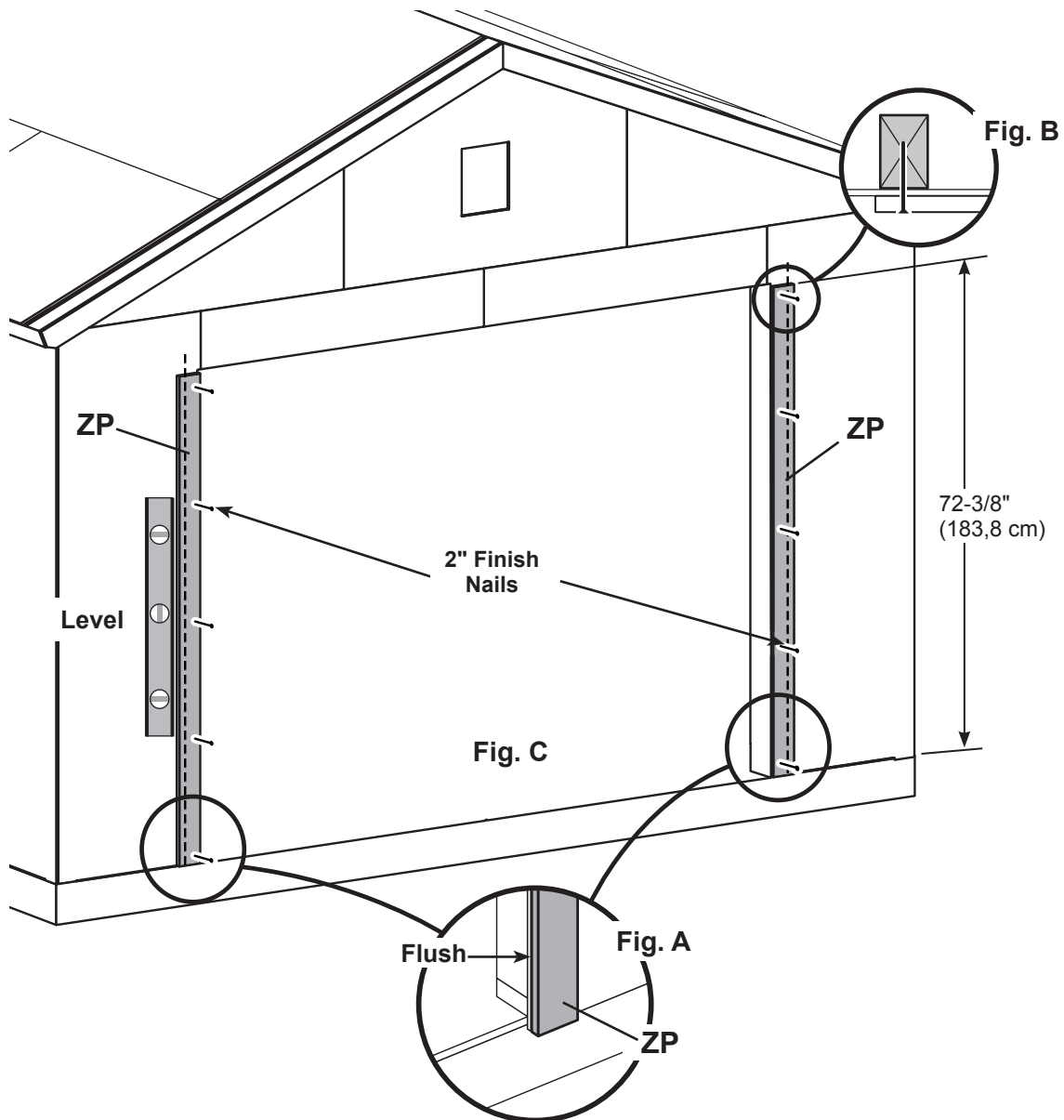
x2 **ZP**
19/32" x 3-1/2" x 72-3/8" (1,5 x 8,9 x 183,8 cm)

x10
2" (5,1 cm)



✓ **BEGIN**

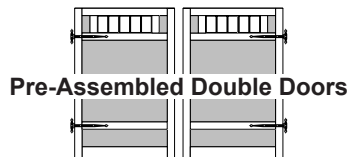
- 1 Measure up 72-3/8" from the bottom of panel on both sides and mark.
- 2 Install **ZP** at the 72-3/8" mark and flush to panel (**Fig. A**) door opening using 2" finish nails as shown (**Fig. B, C**).



FINISH
You have finished installing your hinge boards.

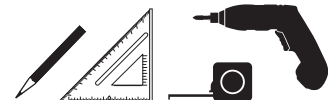

DOUBLE DOORS

PARTS REQUIRED:



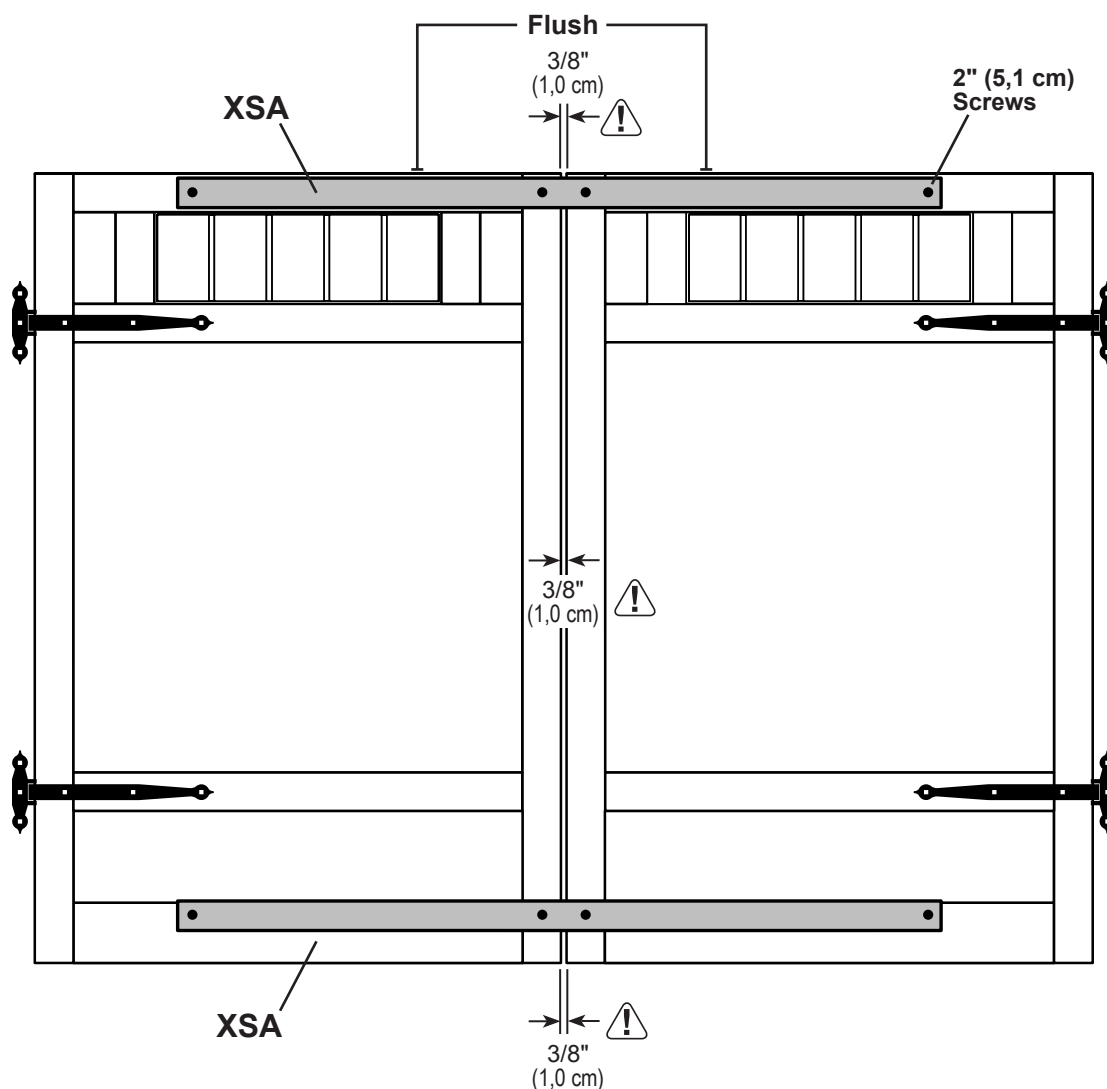
x2 **XSA**
Temporary Support
1 x 3 x 69-3/4" (2,5 x 7,6 x 177,2 cm)

x8
2" (5,1 cm)



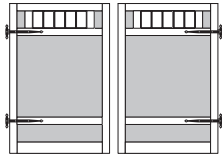
✓ **BEGIN**

- 1 Set double doors facing up. Separate doors 3/8" apart and flush at top.
- 2 Place **XSA** across top and bottom of doors and fasten using 2" screws.



DOUBLE DOORS

PARTS REQUIRED:

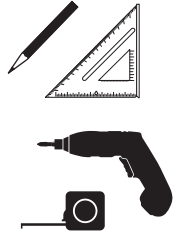


x1 **TP** Temporary Support
2 x 4 x 96" (5,1 x 10,2 x 243,9 cm)

x12 3" (7,6 cm) Lag Screw

x12 Washer
5/16" (0,8 cm)

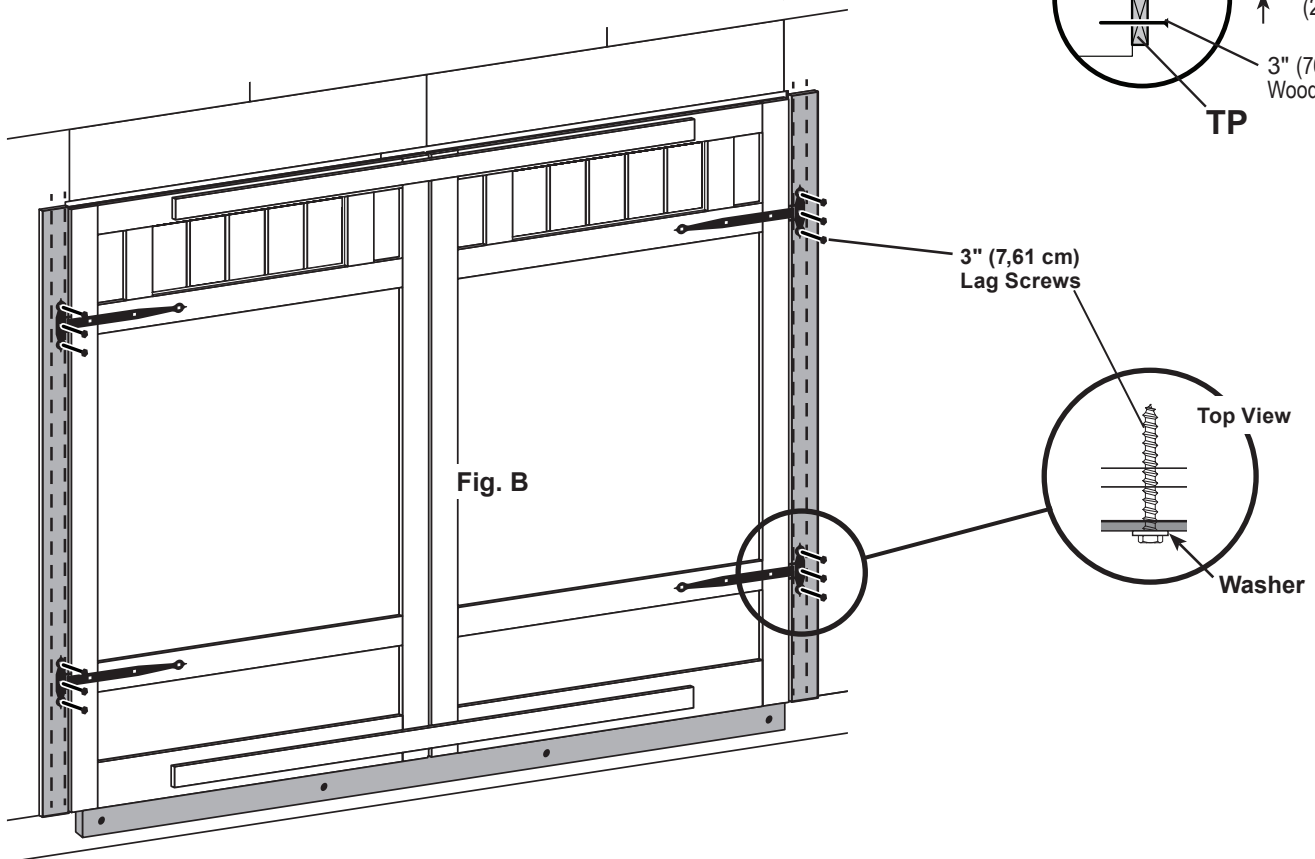
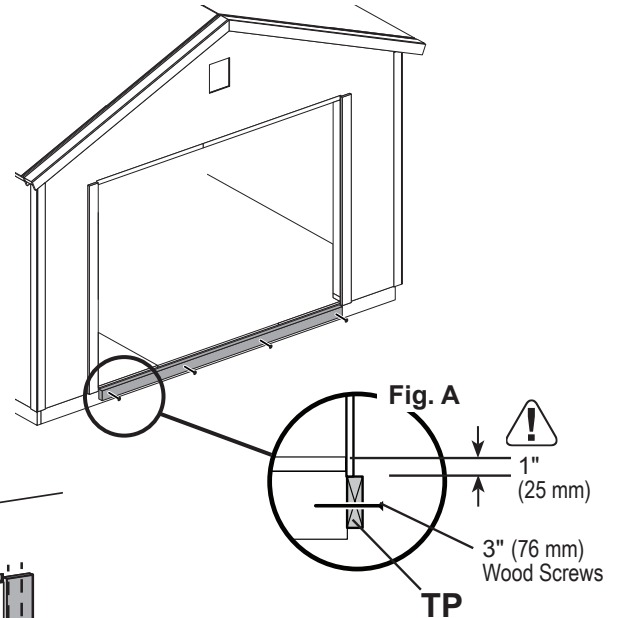
x4 3" (7,6 cm) Wood Screw



- 3** Attach temporary support **TP** as a ledger board 1" below top of floor decking using 3" wood screws (**Fig. A**).



- 4** Center doors in door opening (**Fig. B**).
Pre-drill holes for lag screws using a 1/8" drill bit.
Screw hinges into wall supports using 3" lag screws with washers as shown.



- 5** Remove temporary supports and check that doors open properly.




You have finished installing your double doors.

DOUBLE DOOR WEATHERSTRIP

PARTS REQUIRED:

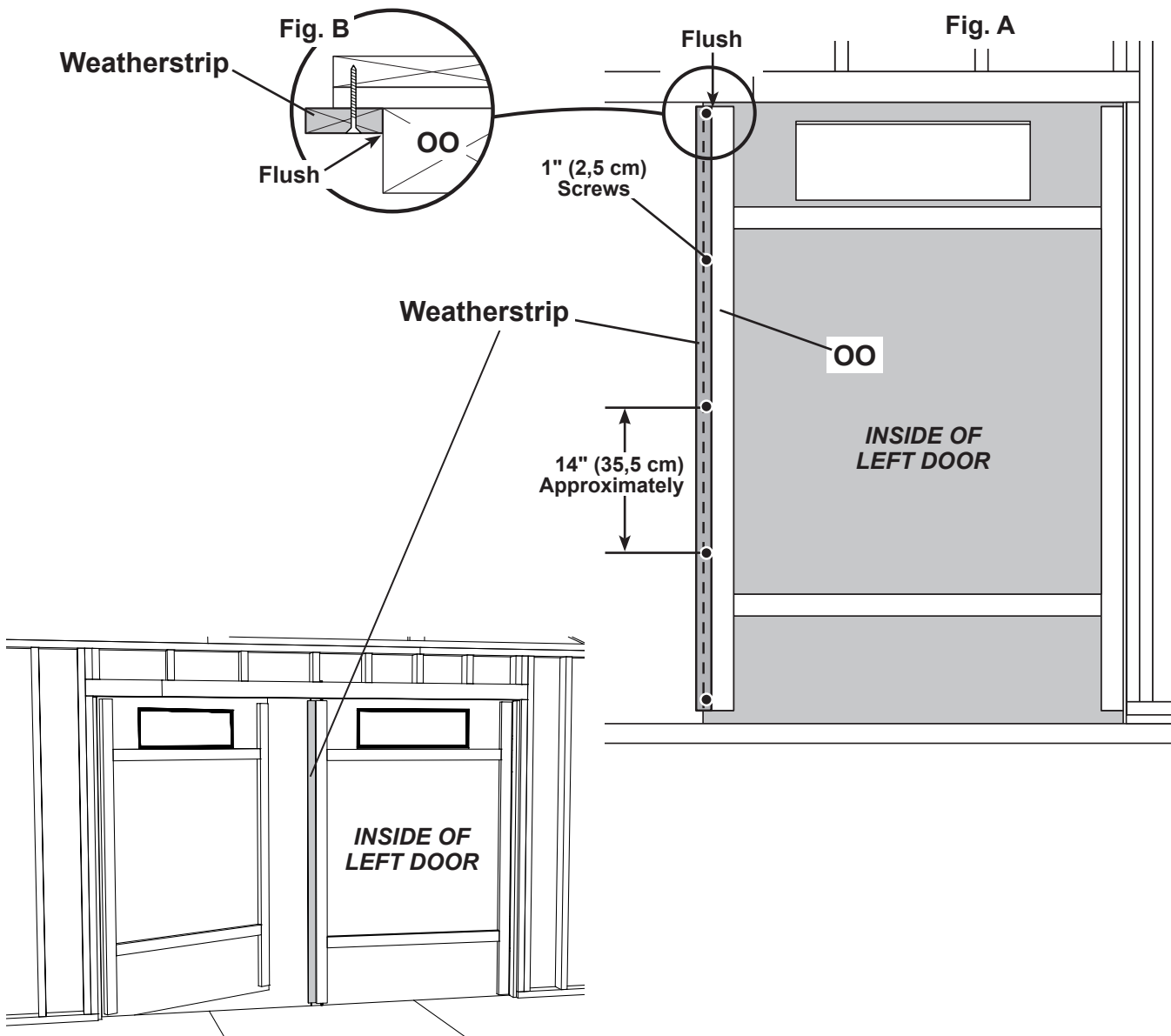
x1 **Weatherstrip**
3/8" x 1-5/8" x 69" (1 x 4,1 x 175,3 cm)

x5 
1" (2,5 cm)



✓ BEGIN

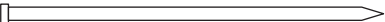
- 1 With **left** door closed and working from inside, place **1-5/8" x 69"** weatherstrip flush to top (**Fig. A**) and edge (**Fig. B**) of **OO**.
- 2 Flush weatherstrip to edge of **OO** (**Fig. B**).
Secure weatherstrip using 1" screws into door panel (**Fig. B**).



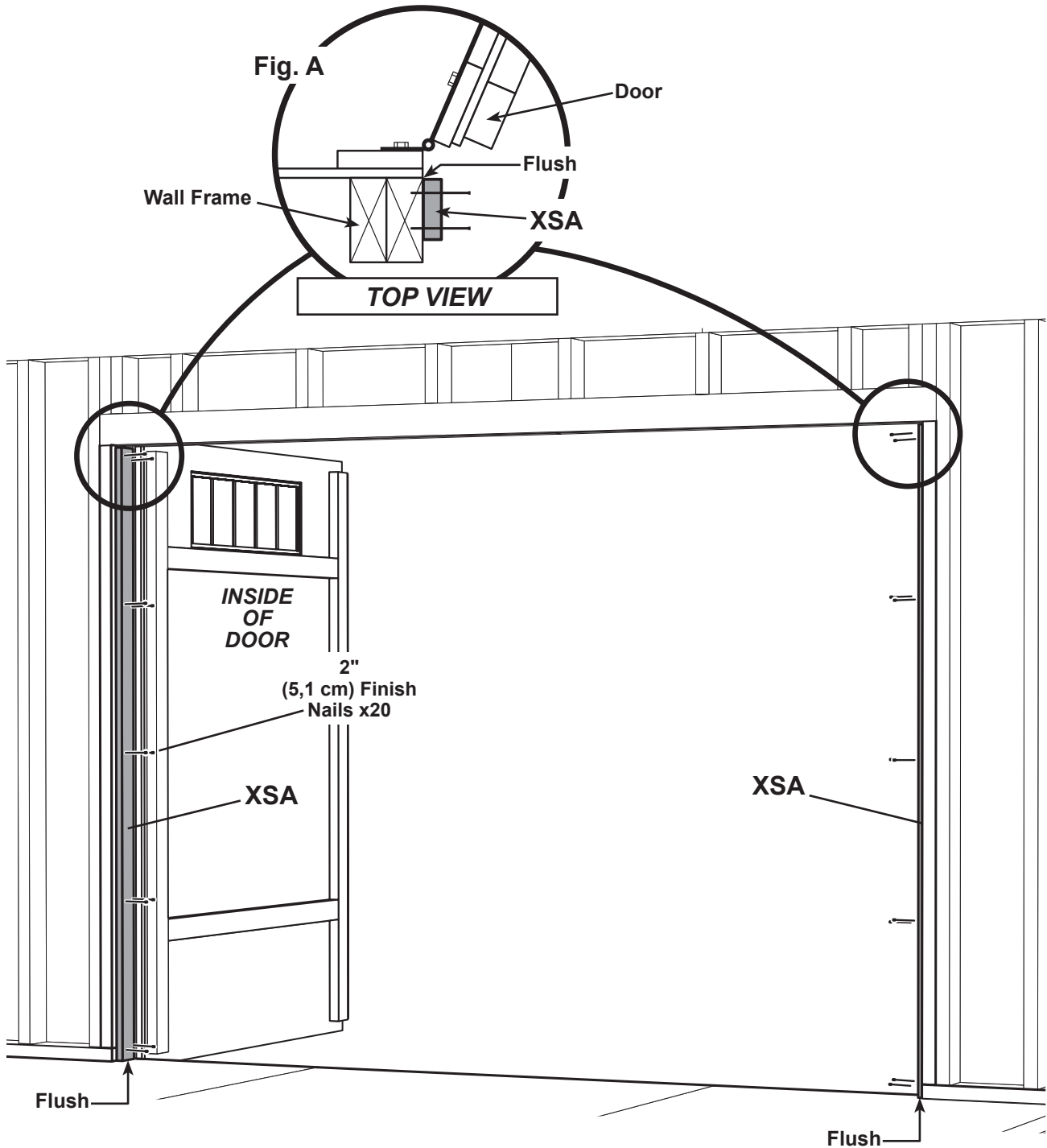
DOUBLE DOOR WEATHERSTRIP

PARTS REQUIRED:

x2 **XSA**
1 x 3 x 69-3/4" (2,5 x 7,6 x 177,2 cm)

x20 
2" (5,1 cm)

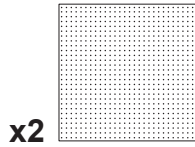
- 3 Install two **XSA** weatherstrips using 2" finish nails, as shown (Fig. A).



You have finished installing your weatherstripping.

DOUBLE DOOR REINFORCEMENT

PARTS REQUIRED:



3/16 x 46-1/2 x 48"
(0,5 x 118,1 x 121,9 cm)
Pegboard
Door Backer Board



x36
1-1/4" (3,2 cm)



✓ **BEGIN**

- 1 Place 46-1/2" x 48" backer board flush to door frame (Fig. A, Fig. B).

Secure backer board using 1-1/4" screws into door frame as shown.

Fig. A

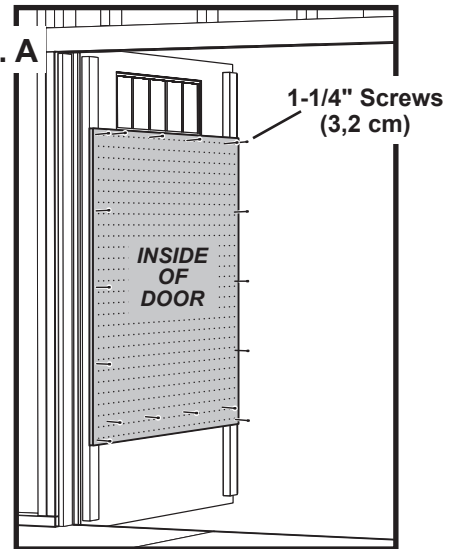
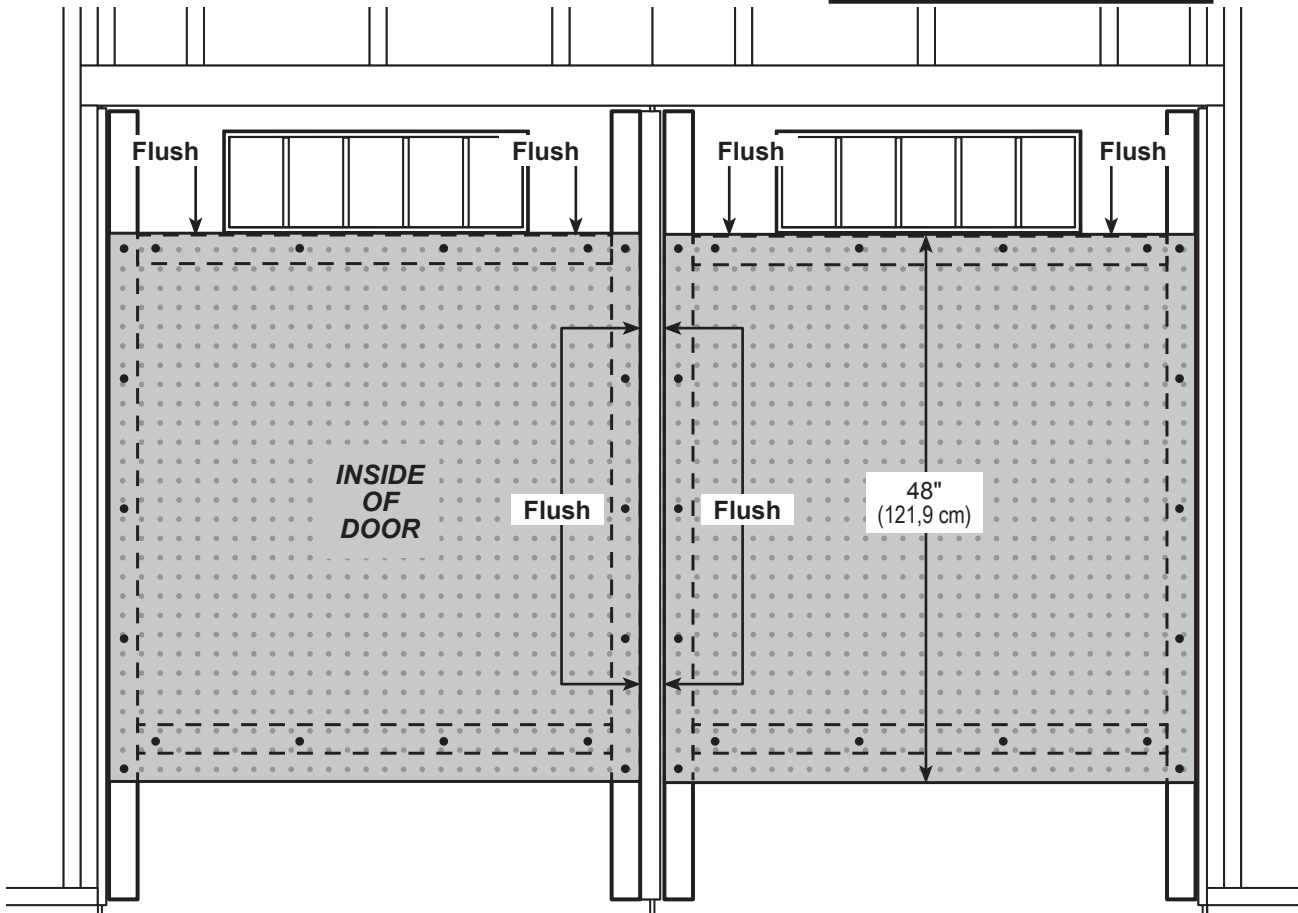


Fig. B



- 2 Repeat STEP 1 to install backer board on other door frame.



FINISH

You have finished installing your door reinforcements.

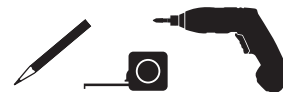
DOUBLE DOOR HARDWARE

PARTS REQUIRED:

x2

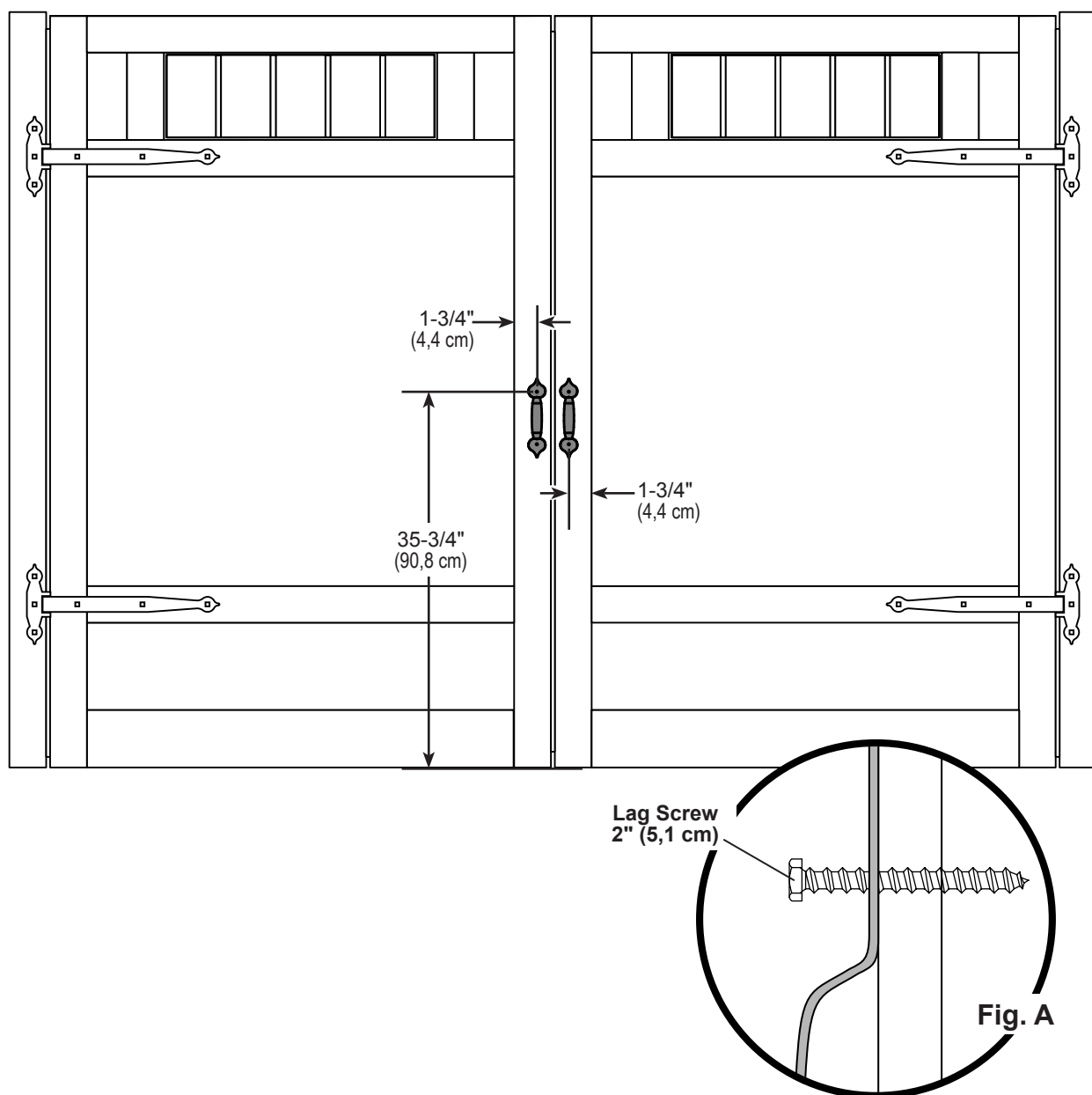


Handles come packed with lag screws or hex bolts.
Customer can use either option.



✓ BEGIN

- 1 Measure and mark locations of door handles as shown.
Pre-drill for lag screws using an 1/8" drill bit.
- 2 Fasten handles using screws provided (**Fig. A**).



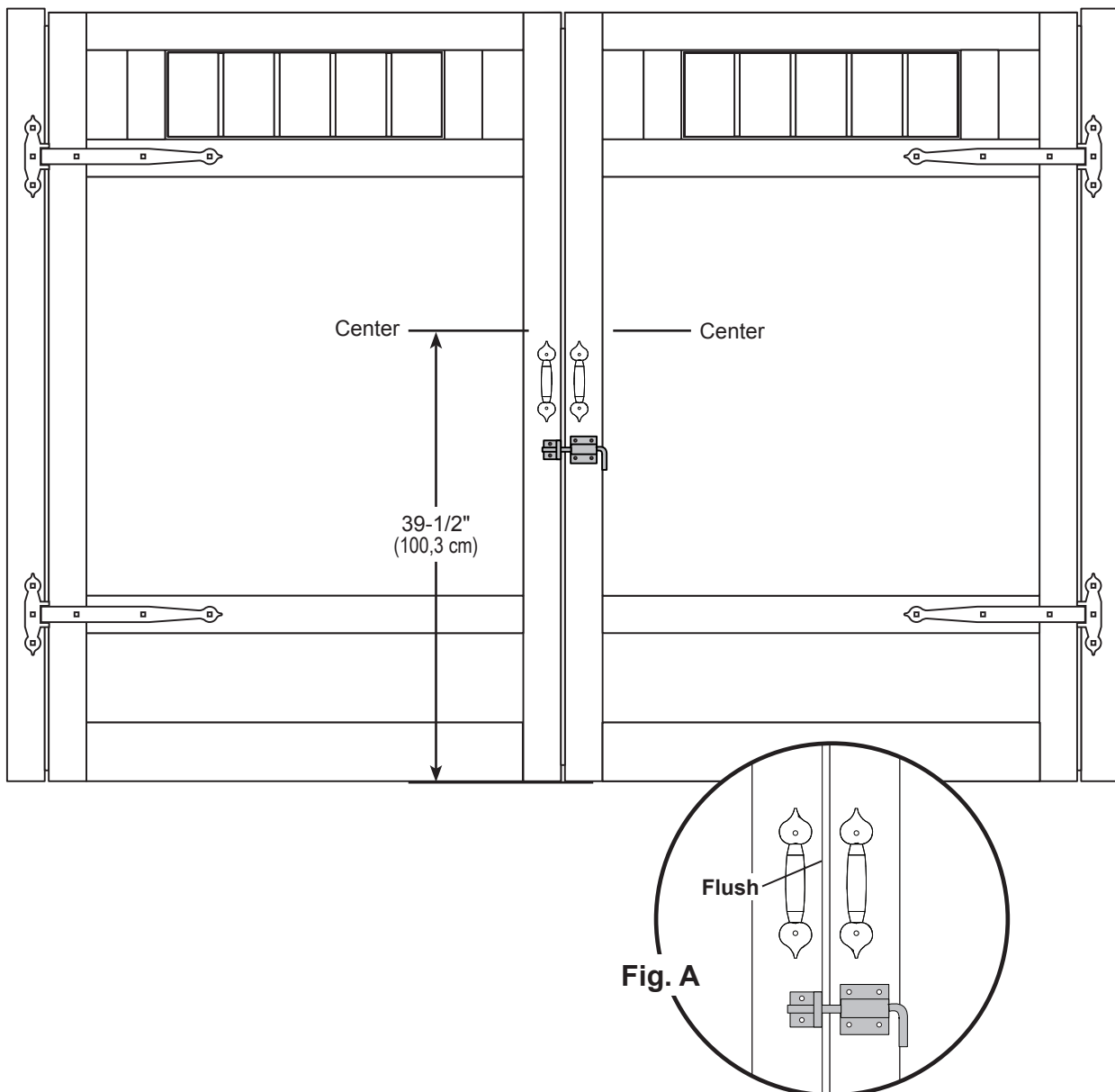
DOUBLE DOOR HARDWARE

PARTS REQUIRED:



✓ **BEGIN**

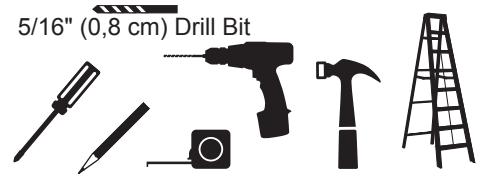
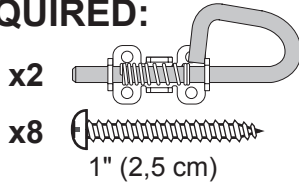
- 1 Measure and mark both locations for door latch parts as shown. Pre-drill holes for screws using an 1/8" drill bit.
- 2 Install door latch and strike plate as shown. Strike plate is flush to the outside edge of door (**Fig. A**).



You have finished installing your decorative door latch.

DOUBLE DOOR HARDWARE

PARTS REQUIRED:



✓ BEGIN

- 1 Place top bolt onto **OO** in open position with bolt ends 3/8" (1 cm) down from frame. Bolt is open when loop is contacting base (**Fig A**).

Mark and pre-drill holes for screws.

- 2 Install bolt using screws supplied and drill 5/16" (0,8 cm) hole deep enough for bolt to slide into.

- 3 Place bottom bolt onto **OO** in open position with bolt ends 1/2" (1,3 cm) up from floor. Bolt is open when loop is contacting base (**Fig B**).

Mark and pre-drill holes for screws.

- 4 Install bolt using screws supplied and drill 5/16" (0,8 cm) hole deep enough for bolt to slide into.



HINT: With door closed extend bolt and tap with hammer to leave a mark in wood for drilling.

Fig. A



LOCATE AND PRE-DRILL HOLES TO AVOID SPLITTING WOOD

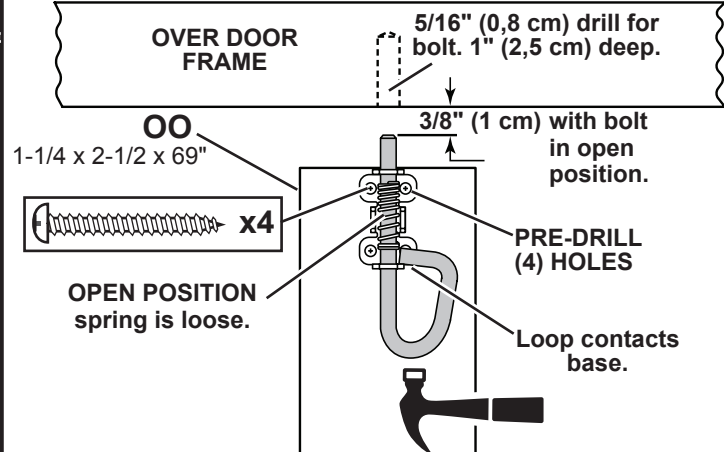
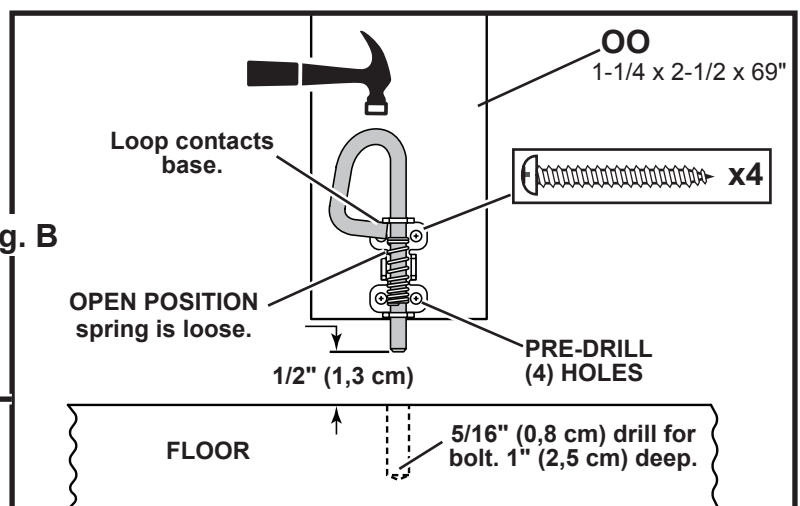


Fig. B



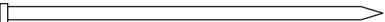
You have finished installing your Spring-Bolts.

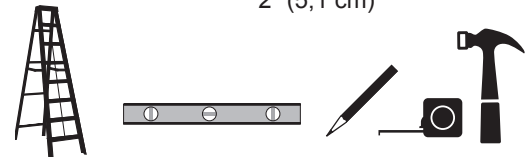
GABLE & DOUBLE DOOR FRONT TRIM

PARTS REQUIRED: x2 **HAB**
 $19/32" \times 3-1/2" \times 53"$ (5,1 x 10,2 x 134,6 cm)

x2 **ERL**
 $19/32" \times 3-1/2" \times 69-15/16"$ (5,1 x 8,9 x 177,6 cm)

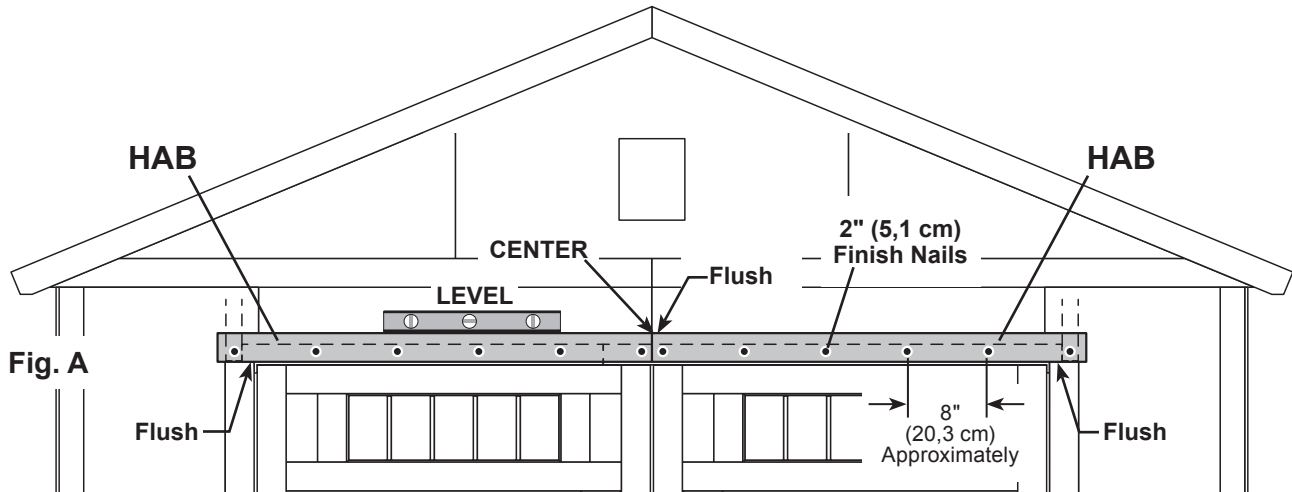
x2 **ERR**
 $19/32" \times 3-1/2" \times 69-15/16"$ (5,1 x 8,9 x 177,6 cm)

x44  2" (5,1 cm)

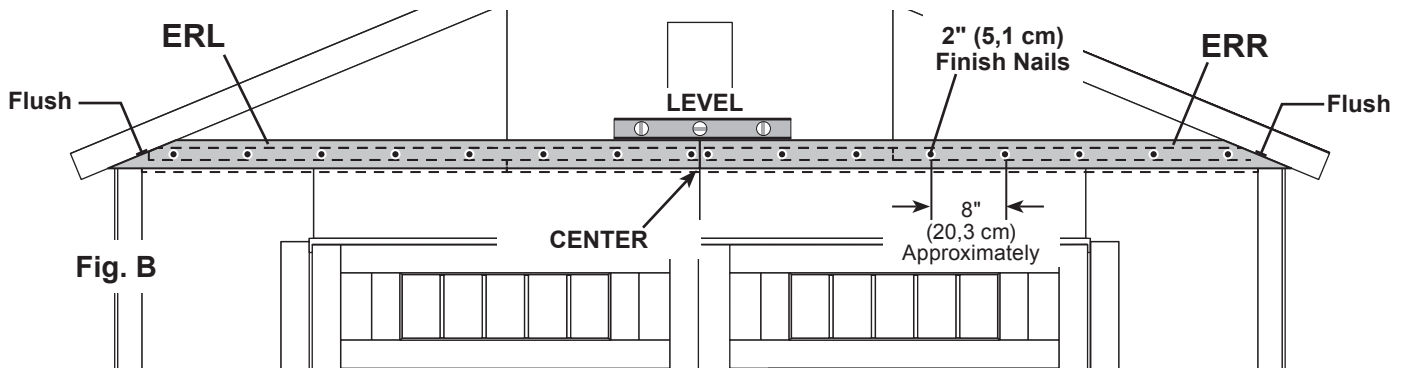


✓ **BEGIN**

1 Install two **HAB** over door trim using 2" finish nails level and flush to top door hinge board (**Fig. A**).



2 Install left and right gable trim **ERL** and **ERR** using 2" finish nails, level and flush to gable overhang trim (**Fig. B**).



3 Repeat STEP 2 to install **ERL** and **ERR** to opposite side of shed.

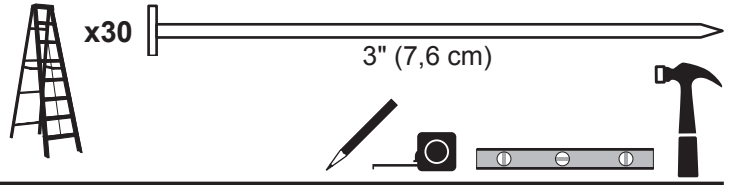
 **FINISH**

You have finished installing your over door and gable trim.

COLLAR TIES

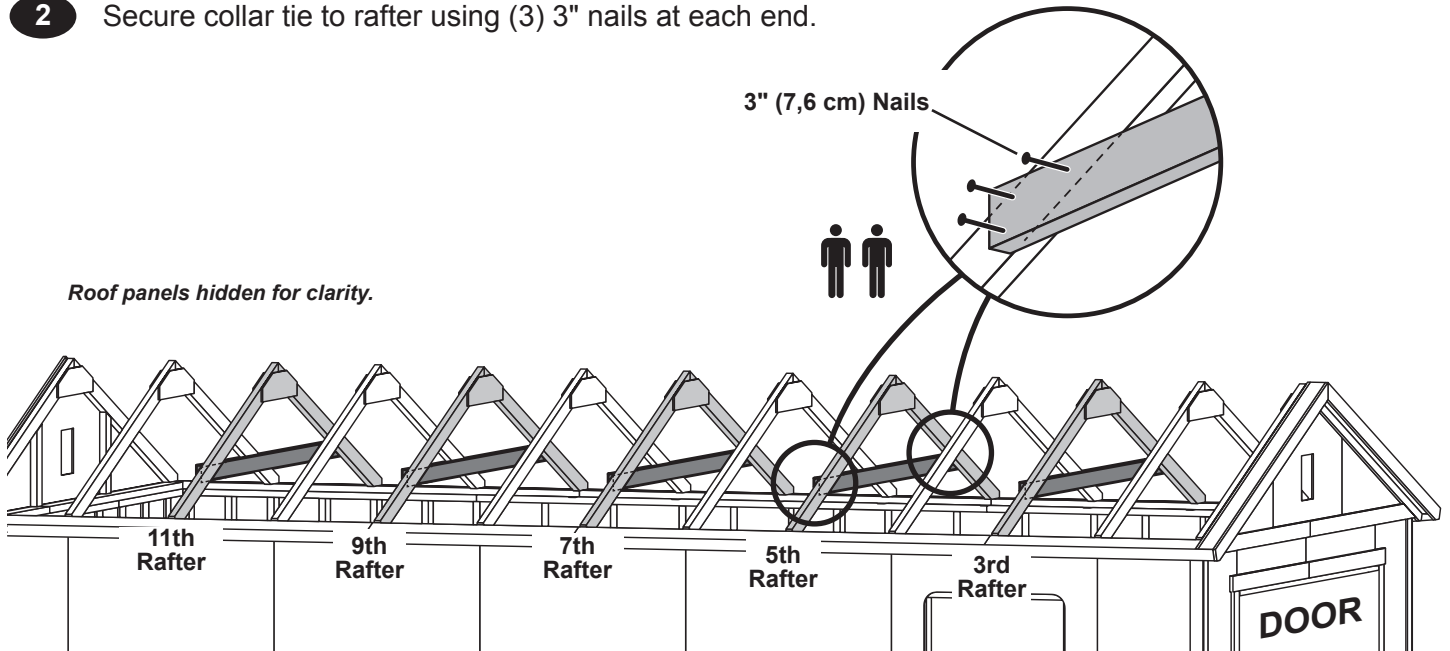
PARTS REQUIRED:

x5 **TP**
2 x 4 x 96" (5,1 x 10,2 x 243,9 cm)

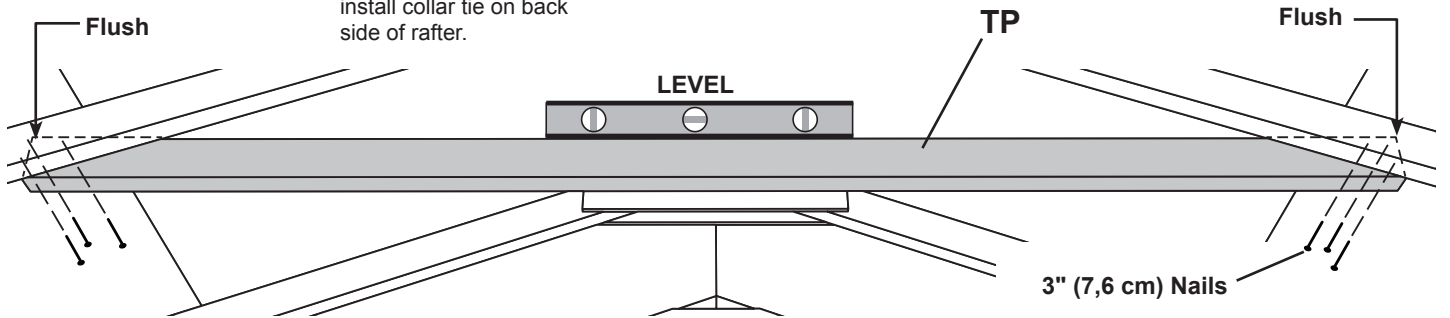


✓ BEGIN

- 1 Locate collar tie **TP** on back of 3rd rafter from the door wall as shown.
Check collar tie is level and flush to roof panel.
- 2 Secure collar tie to rafter using (3) 3" nails at each end.



HINT: For best appearance, install collar tie on back side of rafter.



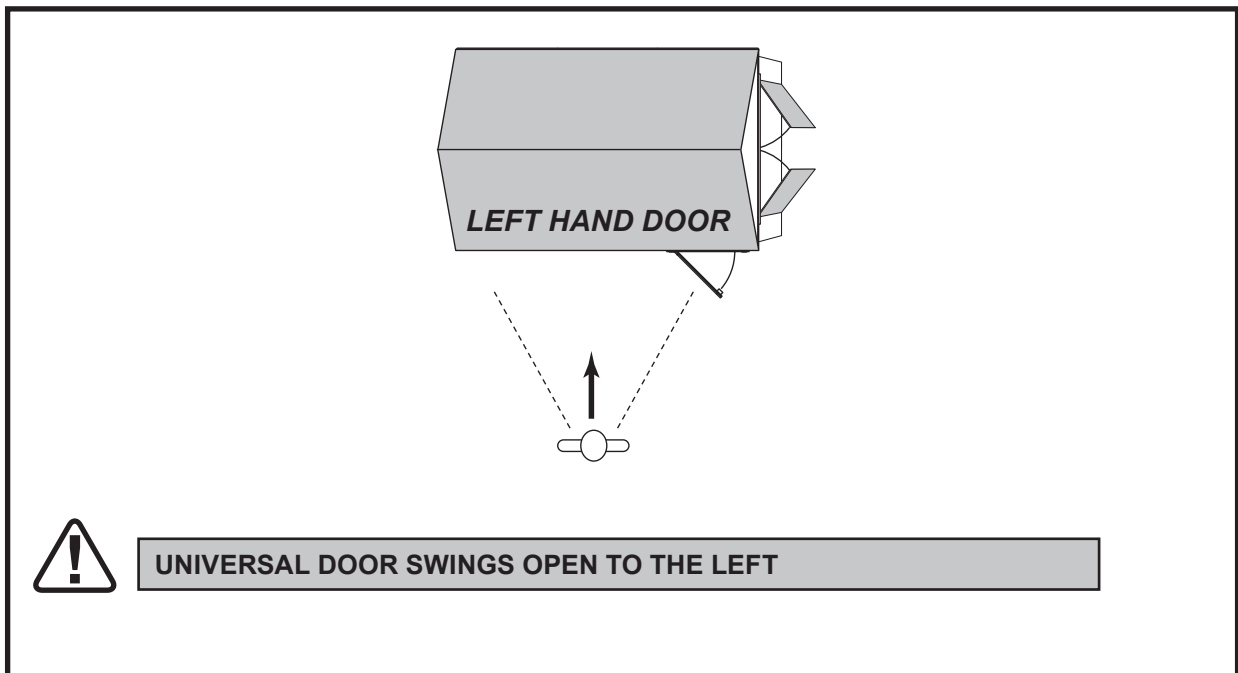
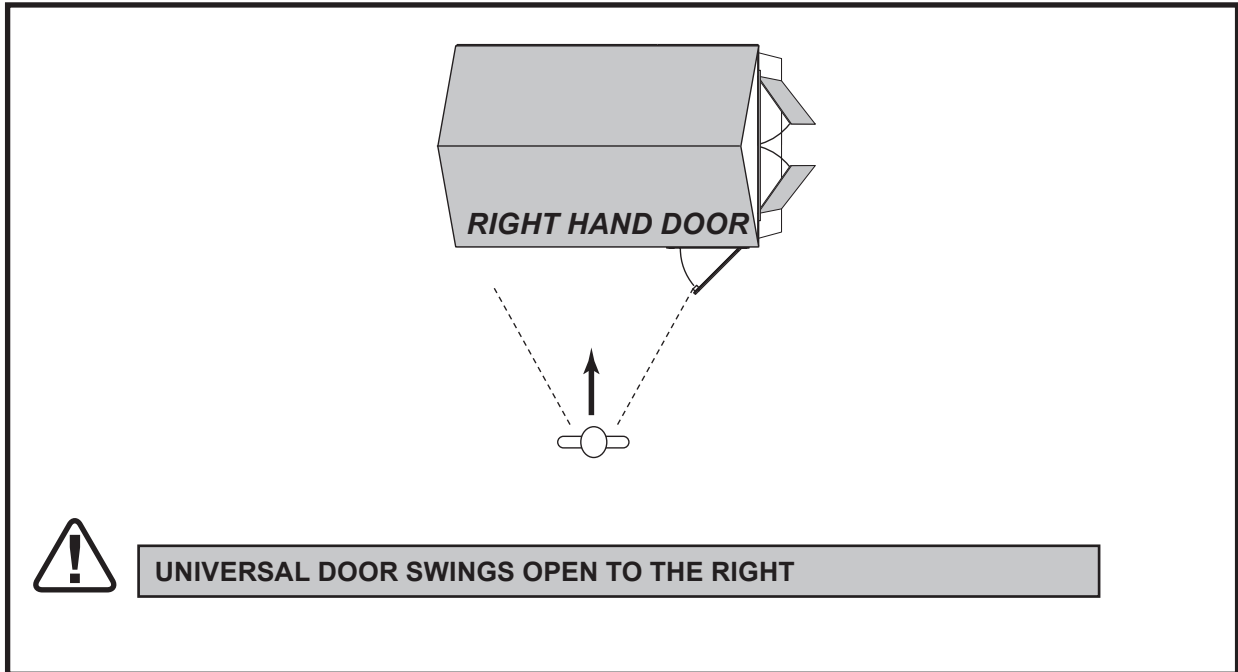
- 3 Repeat STEPS 1 - 2 to attach collar ties to the 5th, 7th, 9th and 11th RAFTERS from the door.



FINISH
You have finished installing your collar ties.

! STOP !

**CHOOSE YOUR UNIVERSAL DOOR OPENING DIRECTION -
*Right Hand or Left Hand***



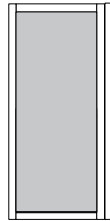
SINGLE DOOR

PARTS REQUIRED:

UNIVERSAL DOOR
Right



x1



x5



3" (7,6 cm)



✓ BEGIN

- 1 Carefully cut bottom wall frame 2 x 4 flush with door frame using a saw (**Fig. A**).

⚠ **Be careful not to cut into floor panel!**

- 2 Center door in wall panel opening.

Hold door in position and keep level. 

- 3 Measure Gap (**Fig. B**) between door trim and wall panel as shown.

Hold door in position and keep level.

⚠ **Hinge-board must overhang wall panel at measurement shown (Fig. C).**

Bottom of door trim is even with wall panel as shown.

- 4 Screw hinge boards into wall supports and floor using (5) 3" screws as shown.

⚠ **Make sure screws go into framing and floor (Fig. D, Fig. E).**

Fig. A

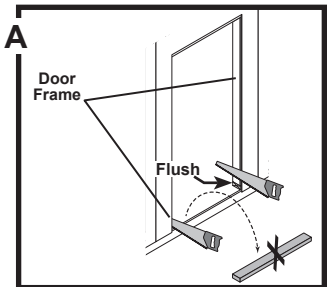
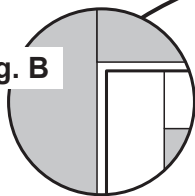


Fig. B



5/8" (1,6 cm)



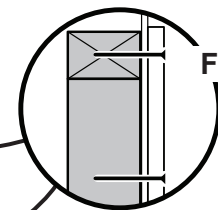
5/8" (1,6 cm)

5/8" (1,6 cm)

5/8" (1,6 cm)

Door trim even with panel.

Fig. D



3" (7,6 cm) Screws into the wall support and floor frame.

Angle 3" (7,6 cm) Screw

Fig. E

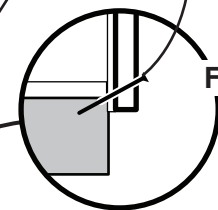
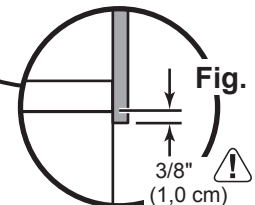


Fig. C



3/8" (1,0 cm)



You have finished installing your single door.


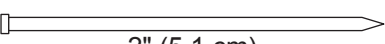
SINGLE DOOR - TRIM

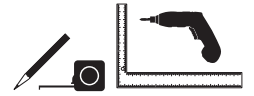
PARTS REQUIRED:

x2 **AH**
19/32" x 3 x 26-5/8" (1,5 x 7,6 x 67,6 cm)

x1 **GEA**
19/32" x 3 x 39-3/8" (1,5 x 7,6 x 100 cm)

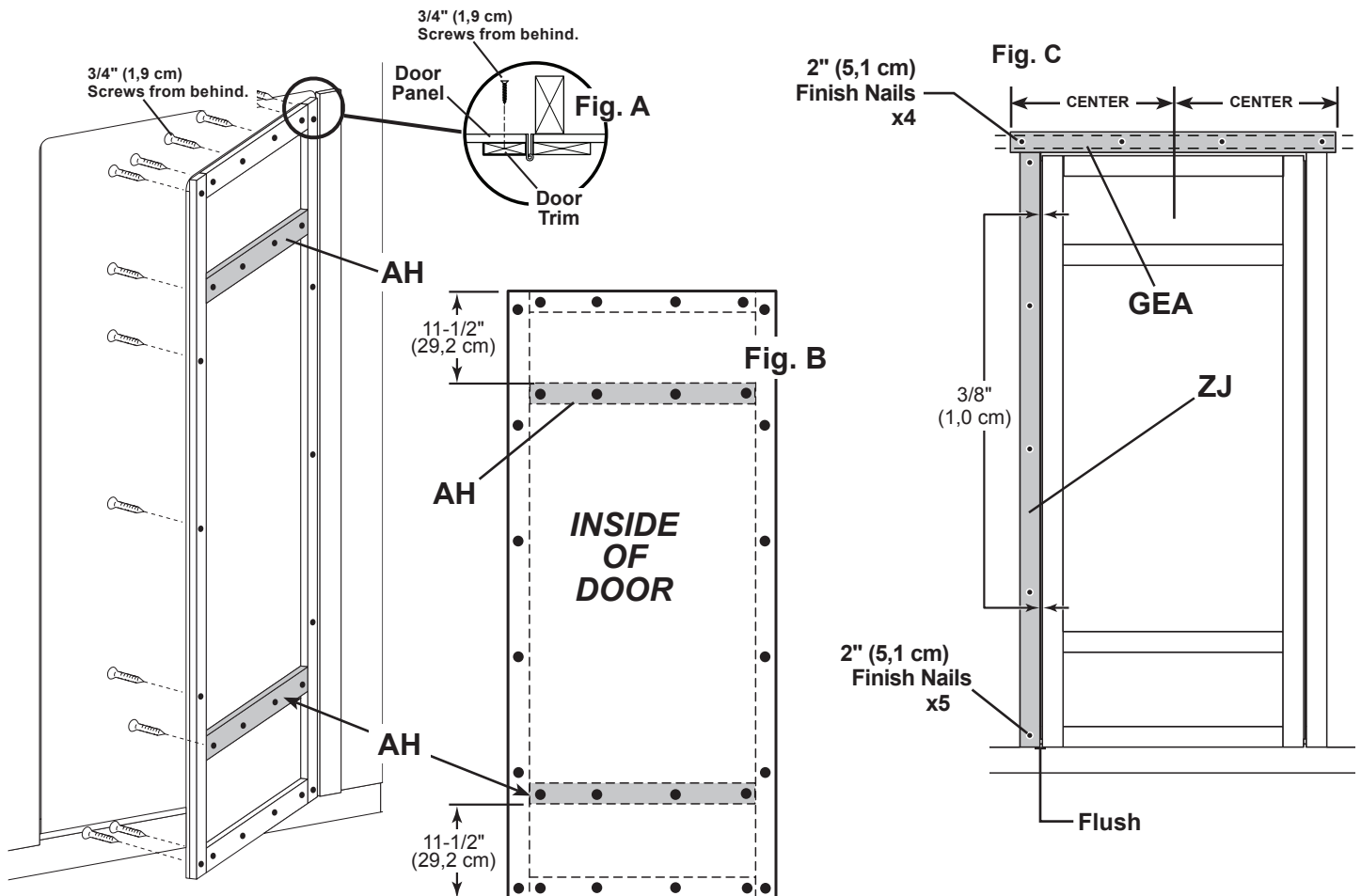
x1 **ZJ**
19/32" x 3 x 72" (1,5 x 7,6 x 183 cm)

x28  3/4" (1,9 cm) x9  2" (5,1 cm)



✓ BEGIN

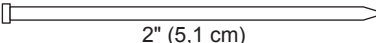

- 1 Attach upper and lower horizontal door rail **AH** using (4) 3/4" screws from inside of door (**Fig. A**, **B**).
- 2 Reinforce the door trim using 3/4" screws through door panel into trim (**Fig. A**).
Locate screws as shown in **Fig. B**.
- 3 Flush **ZJ** with bottom of wall panel and door and secure using (5) 2" finish nails into framing as shown. Ensure 3/8" measurement as shown (**Fig. C**).
- 4 Center trim **GEA** over door and secure using (4) 2" finish nails into framing as shown (**Fig. C**).



You have finished securing your DOOR TRIM.

SINGLE DOOR STIFFENER & WEATHER STRIP

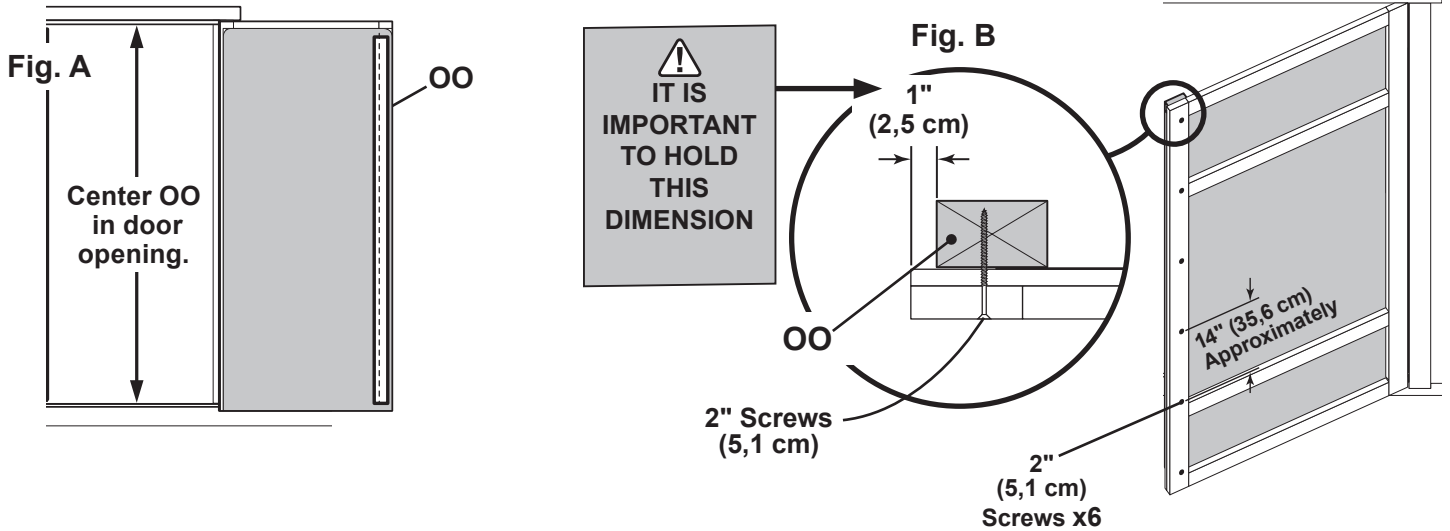
PARTS REQUIRED:

- x1 **OO**
69" Door Stiffener (175,3 cm)
- x2 **XSA**
1 x 3 x 69-3/4" (2,5 x 10,2 x 177,2 cm)
- x20  2" (5,1 cm)
- x6  2" (5,1 cm)



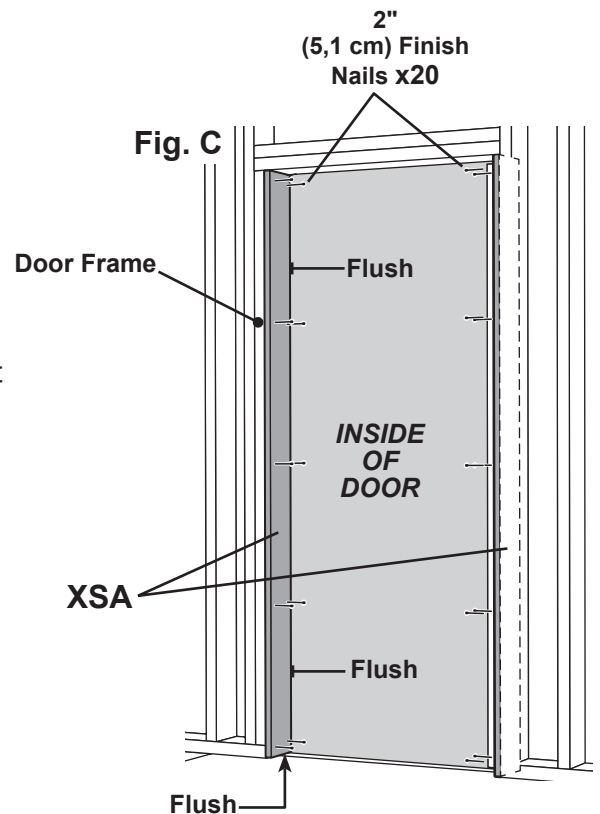
✓ BEGIN

- Center **OO** vertically on door in the door opening (**Fig. A**) 1" from edge of door (**Fig. B**).
Secure using (6) 2" screws through outside trim into **OO** (**Fig. B**)



- Install two weatherstrips **XSA** flush to the bottom and front of door (**Fig. C**).

Secure **XSA** using 2" finish nails into right door frame as shown.



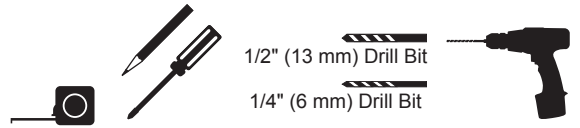
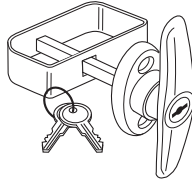
You have finished installing your weatherstrip.

SINGLE DOOR HARDWARE

PARTS REQUIRED:

x2 1-1/2" (3,8 cm)

x1



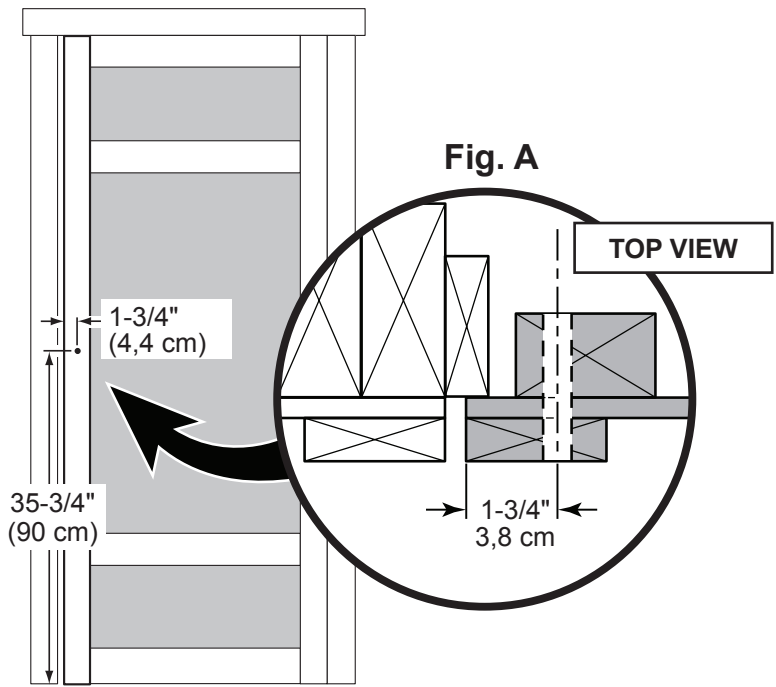
✓ BEGIN

1 Measure and mark location of hole on outside of right door as shown (Fig.A).
Pre-drill pilot hole using 1/4" drill.

Pre-drill through hole using 1/2" drill.



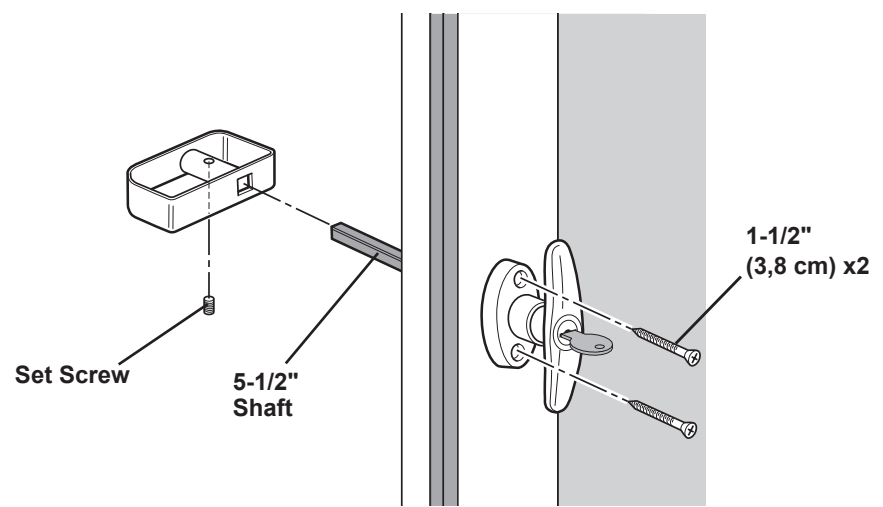
Keep drilled hole square to trim to avoid breaking edge of door stiffener.



2 Insert handle in hole and secure using 1-1/2" (3,8 cm) screws (Fig. B).

3 Attach inside handle and secure with set screw as shown.

Fig. B

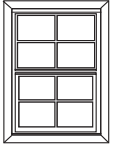


4 You have finished installing your T-handle.

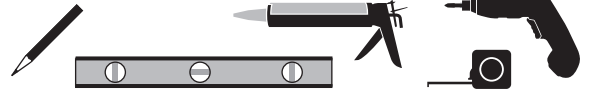
WINDOWS AND WINDOW TRIM

PARTS REQUIRED:

x3

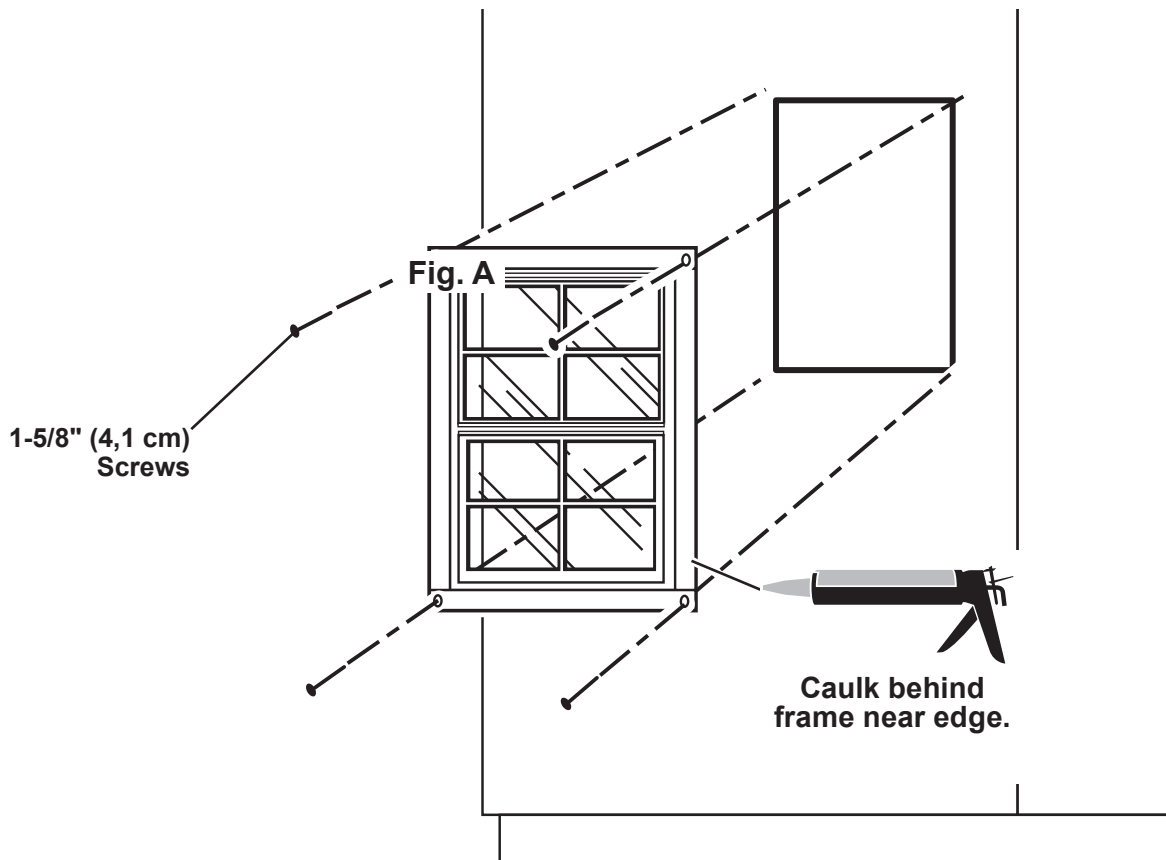


x12
1-5/8" (4,1 cm)



✓ **BEGIN**

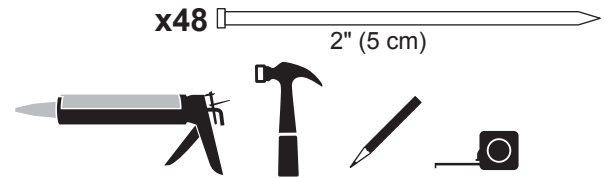
- 1** Seal window using high-quality exterior-grade caulk before installing (**Fig. A**).
- 2** Attach window using (4) 1-5/8" screws as shown. Ensure window is level.
- 3** Repeat **Steps 1-2** to install other windows.



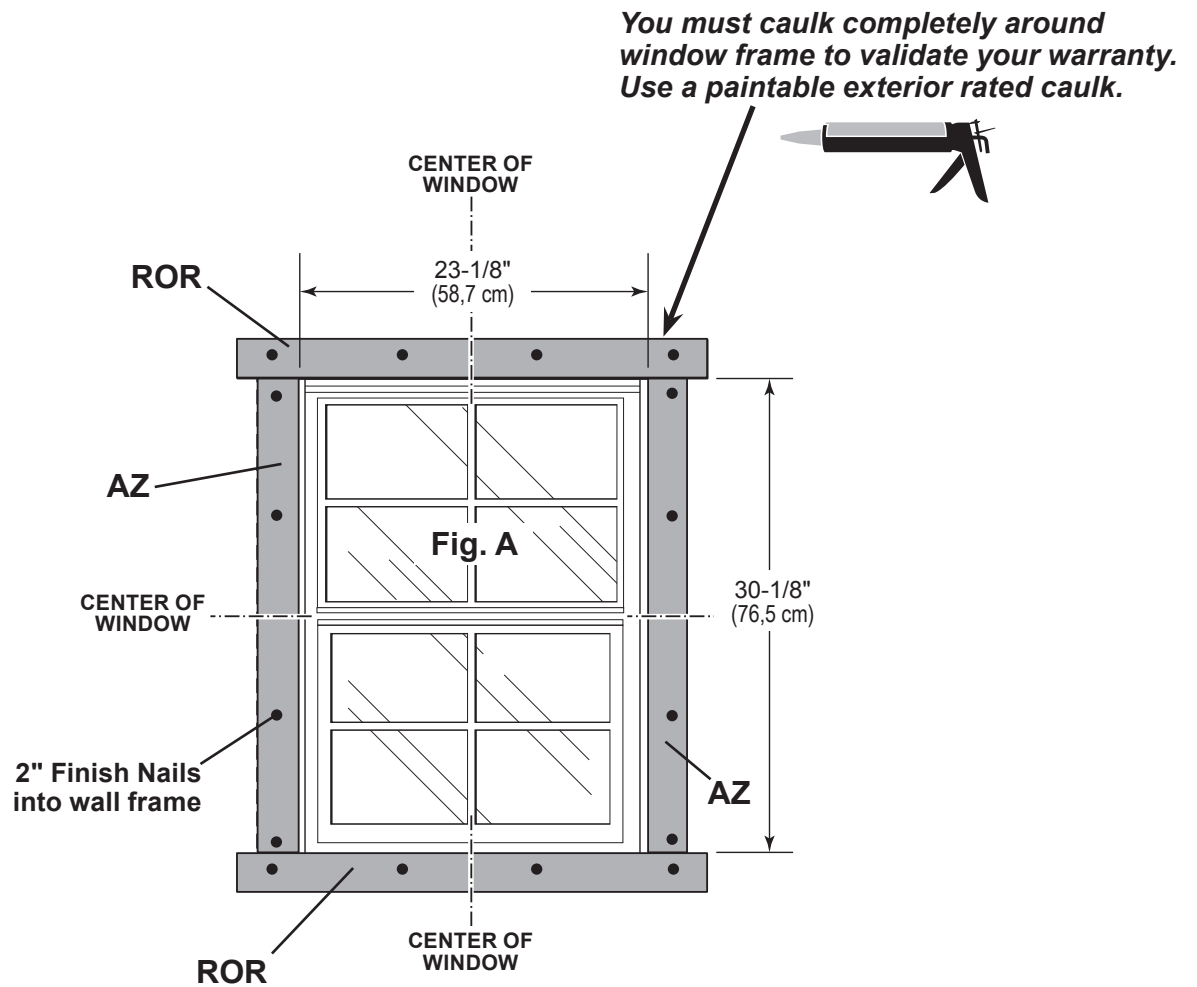
WINDOW TRIM

PARTS REQUIRED:

- x6** **ROR**
 19/32" x 2-1/2" x 28-1/2" (1,5 x 6,3 x 72,4 cm)
- x6** **AZ**
 19/32" x 2-1/2" x 30-1/8" (1,5 x 6,3 x 76,5 cm)



- 5** Place trim pieces **ROR** and **AZ** centered on window frame (**Fig. A**).
 Attach using 2" finish nails.
 Nail into window frame and studs behind.



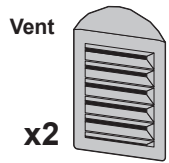
Repeat STEPS 1 - 5 to install trim for second and third windows.




You have finished installing your windows and window trim.

GABLE VENTS

PARTS REQUIRED:

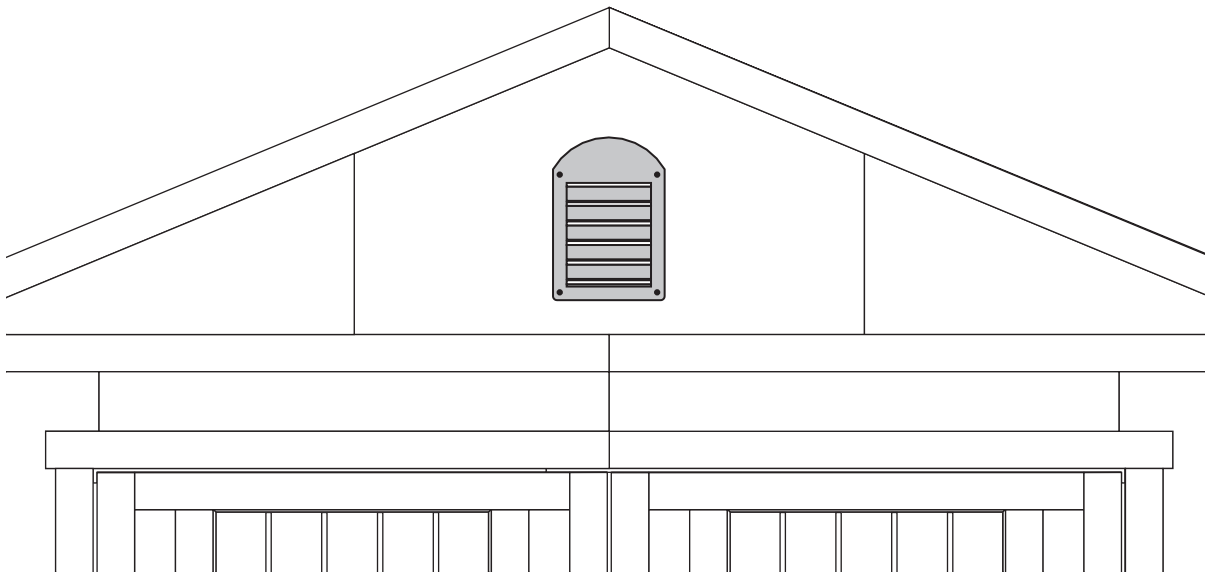


x8 
1" (2,5 cm)



✓ **BEGIN**

- 1** Position VENTS in front and back gables as shown and secure using 1" screws.
(Seal vent using high-quality paintable exterior caulk.)

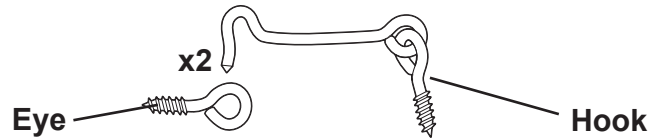


 **FINISH**

- 2** Your gable vents are now installed.

HOOK & EYE

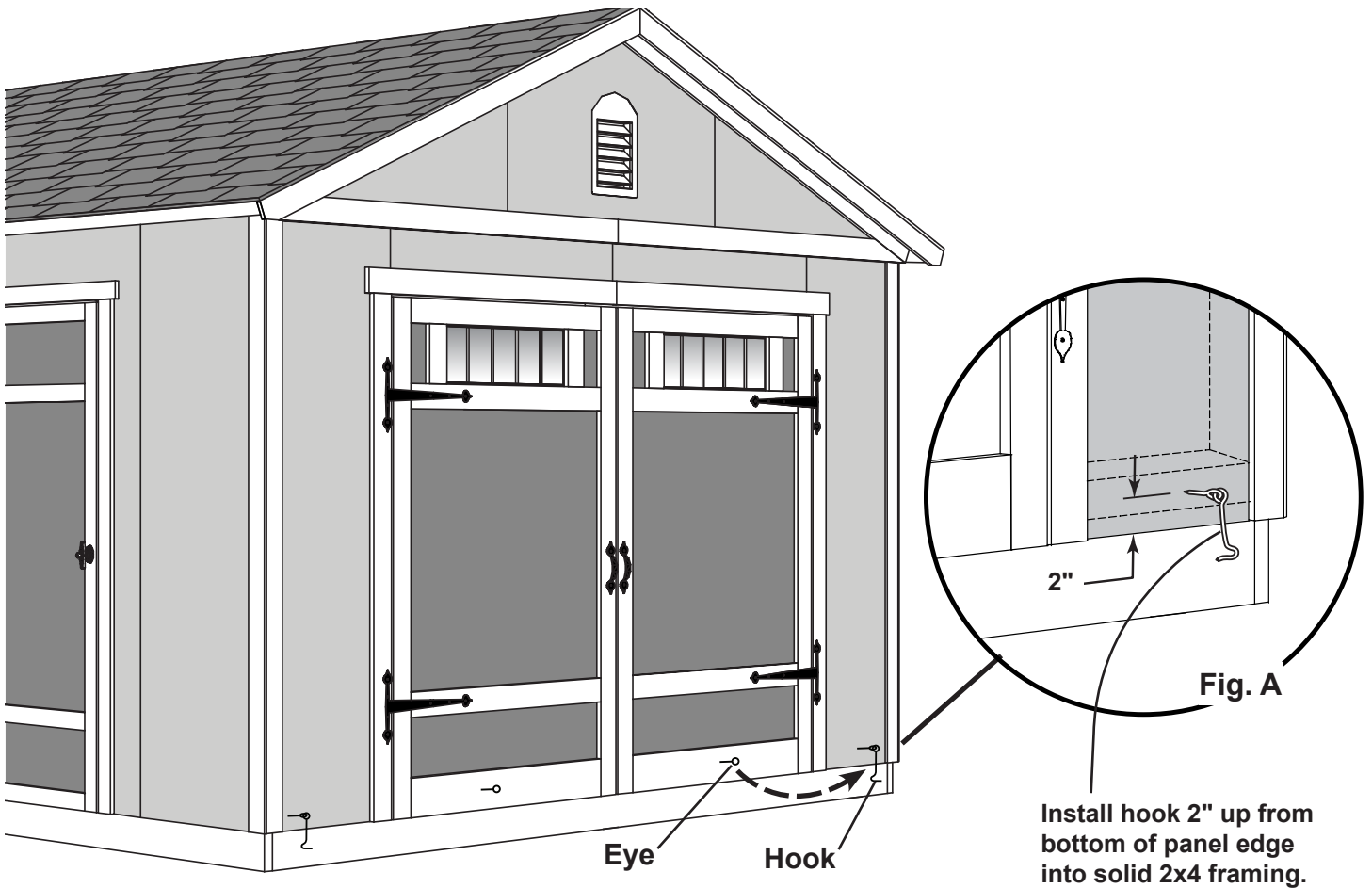
PARTS REQUIRED:



✓ BEGIN

1 Install hooks 2" up from bottom edge of panel (Fig.A).

2 Swing door open to locate eye and install as shown.



FINISH

You have finished installing your hook and eye.

PAINT & CAULK

- NOT INCLUDED -



- Use acrylic latex caulk that is paintable. Caulk at all horizontal and vertical seams, between the trim and walls, and all around the door trim.
- Use a high quality exterior acrylic latex paint. When painting your building, there are a few key areas that can be easily overlooked that must be painted:
 - Bottom edge of all siding and trim
 - Inside of doors and all 4 edges

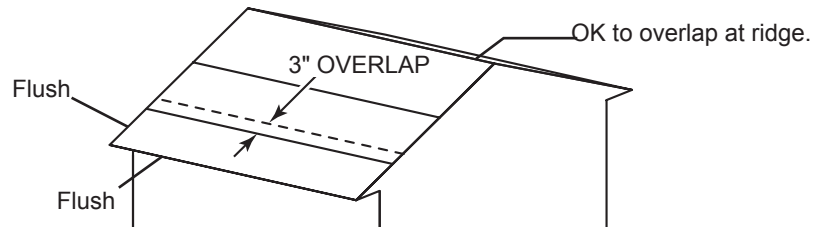
Note:

Prime all un-primed exterior wood before painting.
(Follow directions provided by manufacturer.)

ROOF FELT

- NOT INCLUDED -

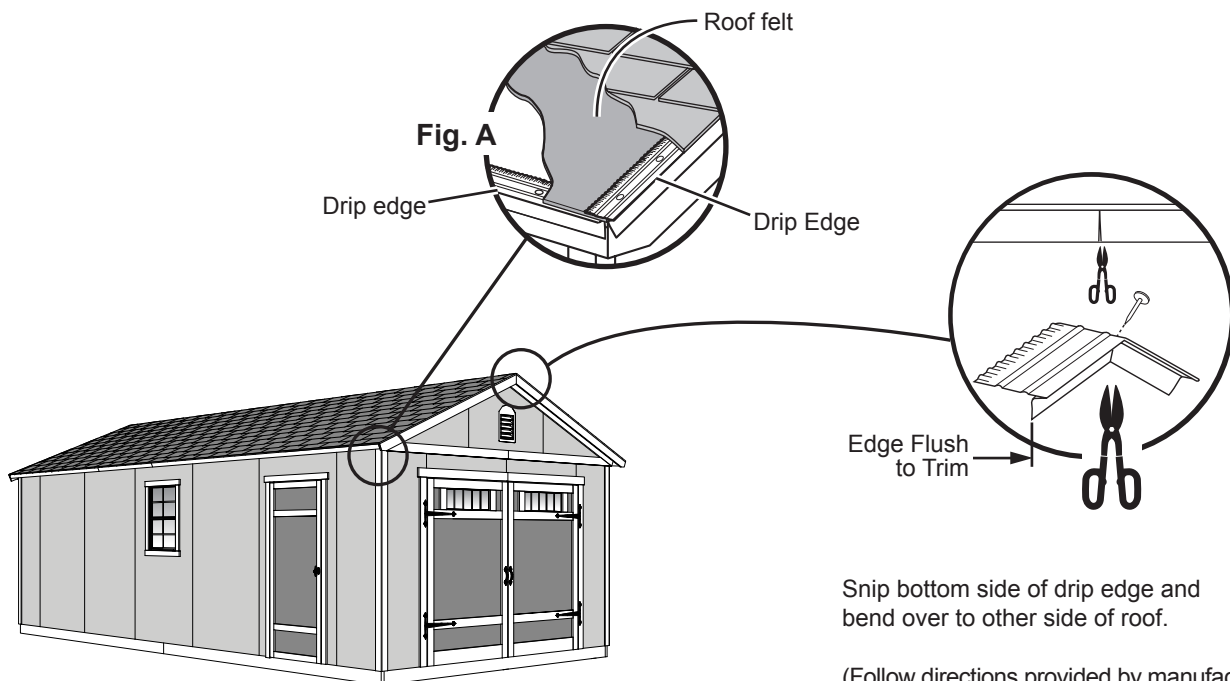
- Install felt flush to all roof edges overlapping 3". Use minimal amount of roofing nails to hold in place.



DRIP EDGE

- NOT INCLUDED -

- Install drip edge over roof felt on gable side and under roof felt on eave side (Fig. A).
- Do not use nails on side of drip edge that hangs over side of building.
- Only nail top of drip edge as shown.



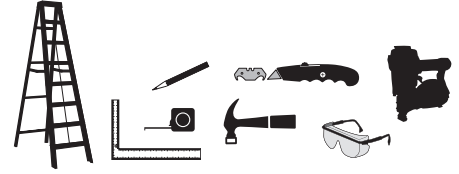
Snip bottom side of drip edge and bend over to other side of roof.

(Follow directions provided by manufacturer.)

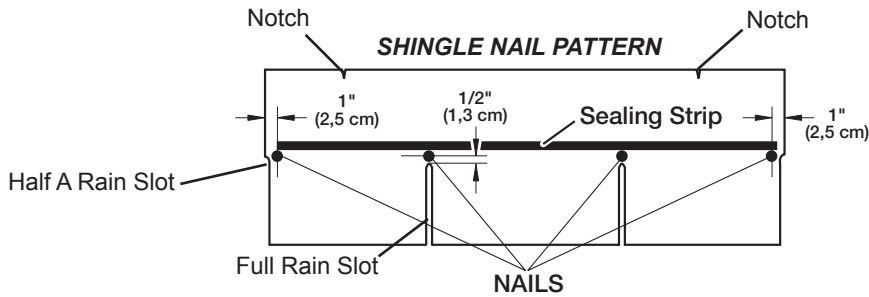
SHINGLES

- NOT INCLUDED -

- Follow directions provided by manufacturer and these instructions.



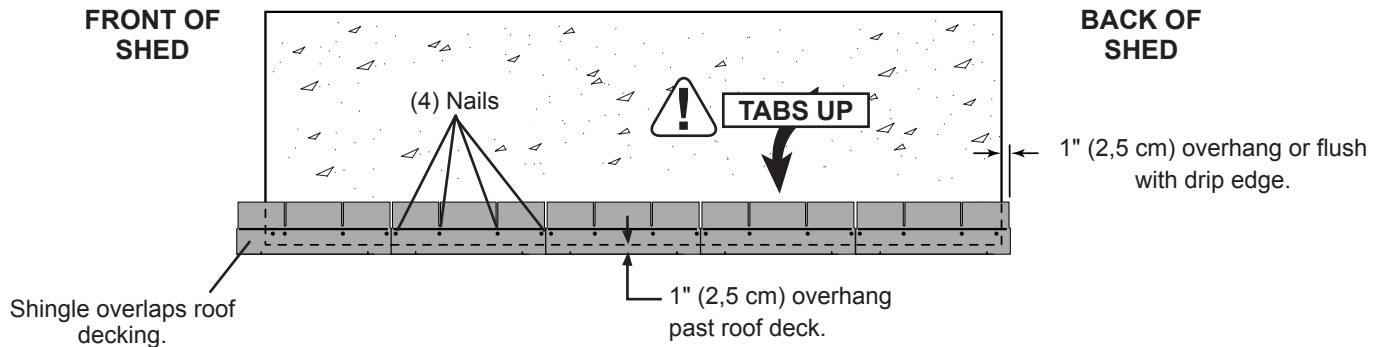
! Familiarize yourself with a 3-Tab Shingle.



! NEVER DRIVE FASTENERS INTO OR ABOVE SEALING STRIPS.

✓ BEGIN

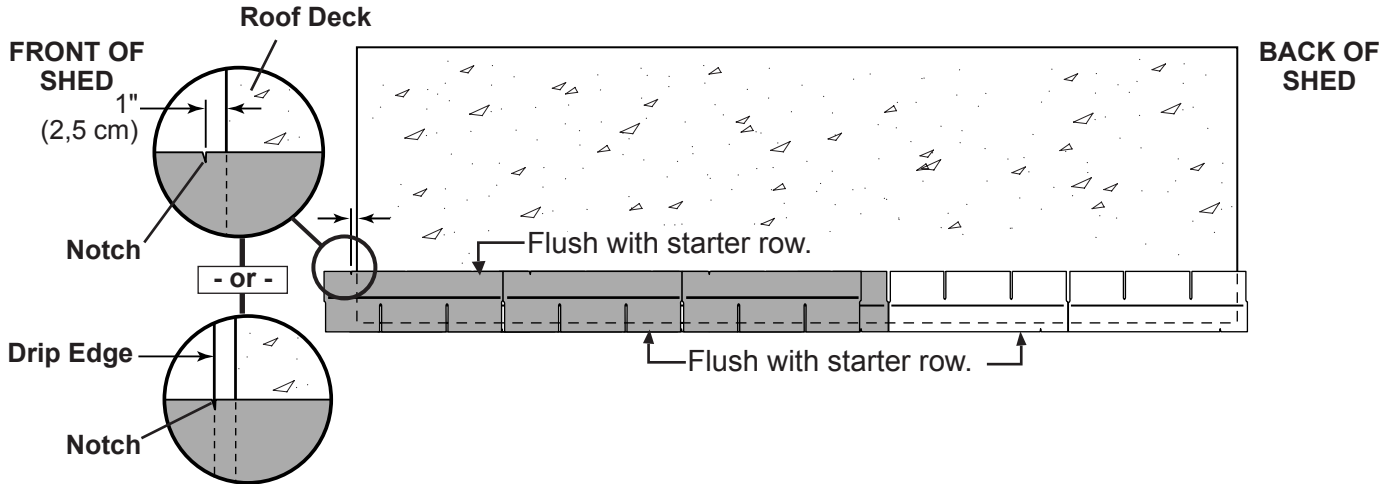
- 1** Install first starter row upside down and color up with a 1" overhang at back and bottom of roof panel. Use (4) nails per shingle. Starter row must be straight and level all the way across with lower edge of roof deck.
NOTE: If you have installed drip edge install shingles flush to drip edge.



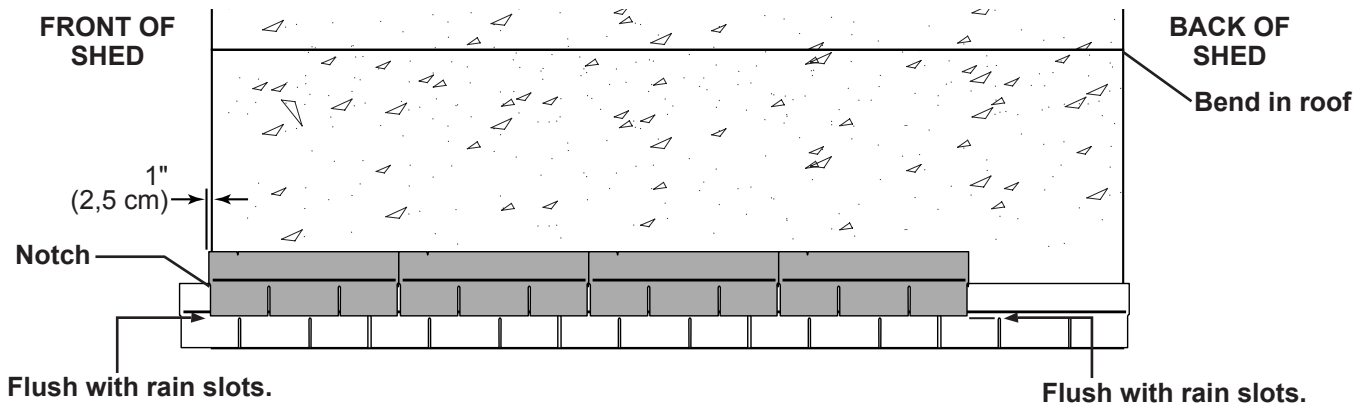
SHINGLES

continued...

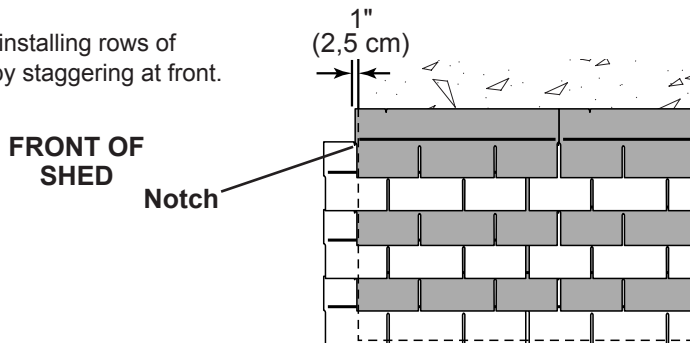
- 2 Beginning at front of shed, install first row of shingles with notch at 1" past roof edge or flush with drip edge.



- 3 Install second row of shingles flush at top of first row's rain slots. Ensure 1" overhang or flush to drip edge at front, stagger each row.



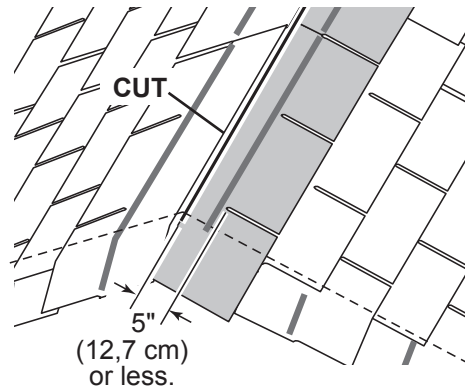
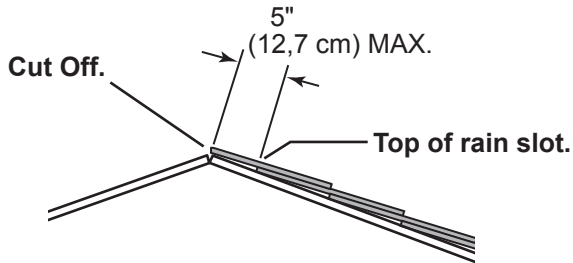
- 4 Continue installing rows of shingles by staggering at front.



SHINGLES

continued...

- 5 Continue installing rows of shingles to the peak. At the peak make sure there is a maximum of 5" or less to the rain slot, as shown below. If shingles overlap at ridge cut to peak with a utility knife.

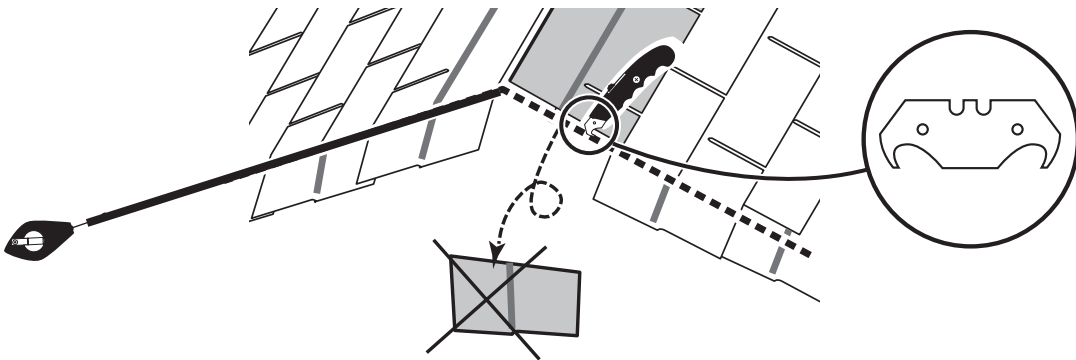


- ! • If more than 5" to rain slot you must install another row of shingles.

- 6 Repeat steps 1 - 7 to shingle the opposite side of your roof. Trim shingles at ridge.

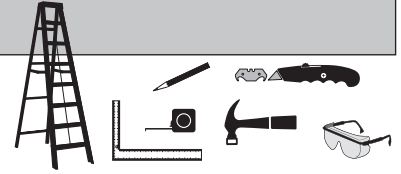
- 7 Once both sides are shingled you need to trim ends. Strike a chalk line 1" from edge.

- 8 Using your shingle hooked blade carefully cut shingles along chalk line.



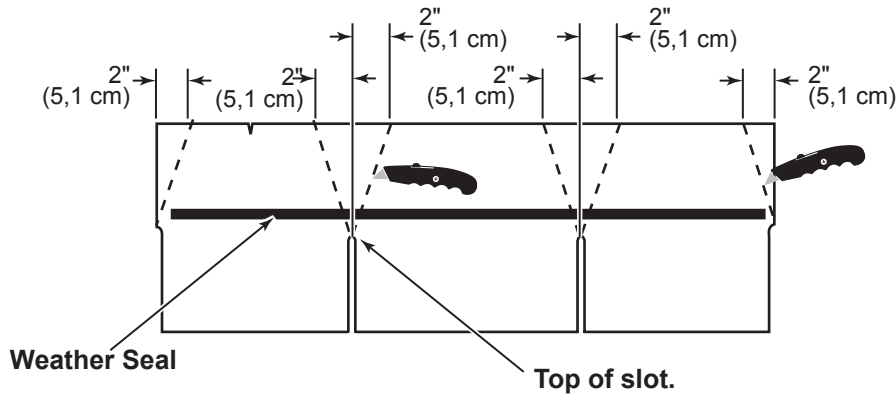
- 9 You have finished shingling your roof. Proceed to capping the ridge.

SHINGLES - RIDGE CAP



• You will finish off the top of the roof with a ridge cap made from shingles.

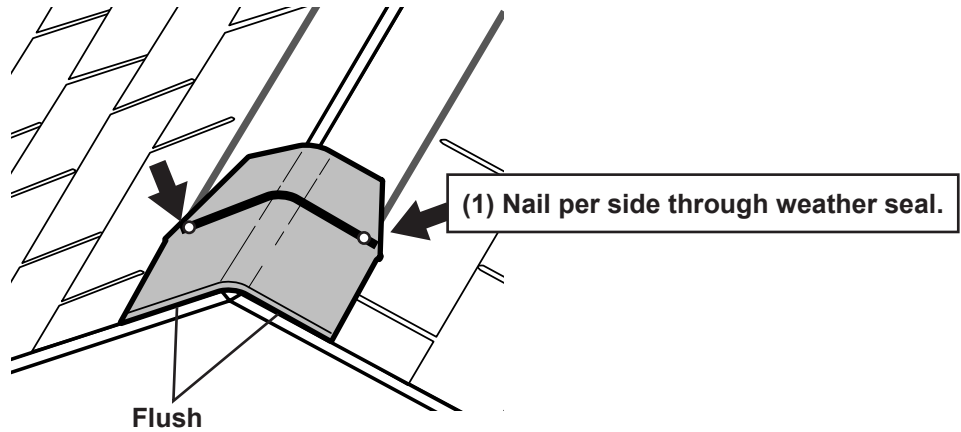
Cut shingles into THREE pieces. Hint: Use cut-off pieces first.



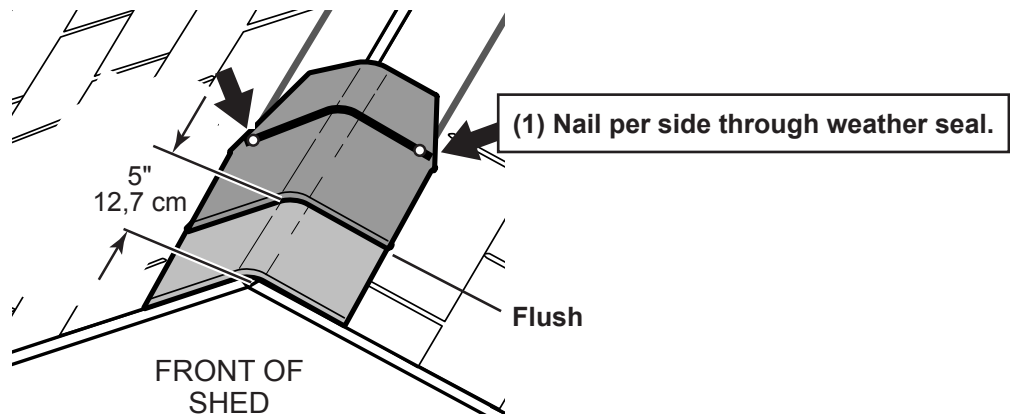
 Score shingle, then snap-off angled cut.

48 to 52 Pieces

2 Install first ridge cap flush to shingles at front, as shown.



3 Install second ridge cap 5" back, as shown.

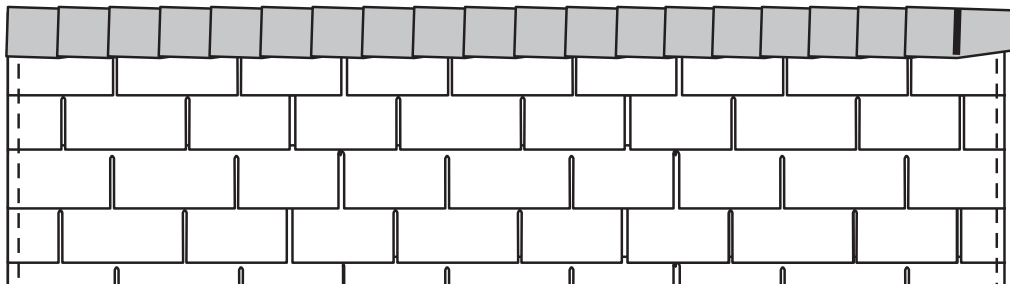


SHINGLES - RIDGE CAP

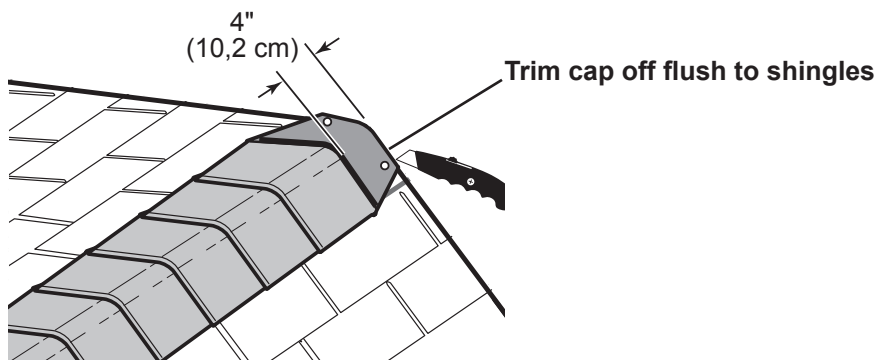
continued...

4 Continue installing ridge cap to back of roof.

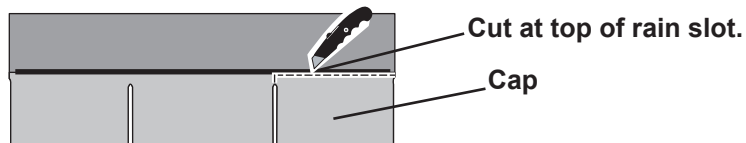
✓ BEGIN



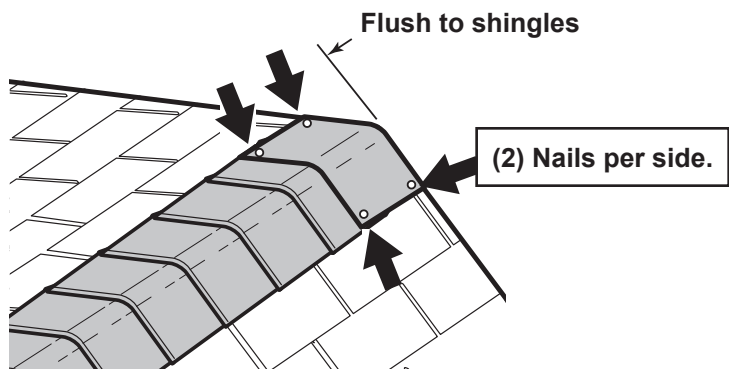
5 Make sure there is 4" between the shingle-color and edge of shingles.



6 When you have 4" minimum of shingle color cut one piece to cap your roof.



7 Install flush to shingles.



FINISH

8 You have finished your ridge cap.

(This page intentionally left blank.)

(This page intentionally left blank.)

LIMITED CONDITIONAL WARRANTY*

Backyard Storage Solutions, LLC warrants the following:

1. Every product is warranted from defects in workmanship and manufacturing for 1 year.
2. All accessories, hardware and metal components are warranted for 2 years.
3. All Oriented Strand Board (OSB) is warranted for 2 years
4. Siding and Trim is warranted for 10 years.
5. Solar Shed windows are warranted for 1 year.
6. Cedar lumber is warranted for 15 years.
7. Preserved Pine is warranted for 10 years.
8. Redwood is warranted for 10 years.

Backyard Storage Solutions, LLC will repair, replace or pay for the affected part. In no event shall Backyard Storage Solutions, LLC pay the cost of labor or installation or any other costs related thereto. All warranties are from date of purchase. If a cash refund is paid on an affected part, it will be prorated from the date of purchase.

CONDITIONS

The warranty is effective only when:

1. The unit has been erected in accordance with the assembly instructions.
2. The unit has been properly shingled and painted or stained and reasonably and regularly maintained thereafter.
3. The failure occurs when the unit is owned by the original purchaser.
4. Backyard Storage Solutions, LLC has received the warranty registration card within thirty (30) days of purchase and notification of the failure in writing within the warranty period specified above.
5. Backyard Storage Solutions, LLC has had reasonable opportunity during the sixty (60) days following receipt of notification to inspect and verify the failure prior to commencement of any repair work.

REQUIREMENTS

Storage Buildings

To validate your warranty, it is necessary to properly maintain your Backyard Storage Solutions, LLC unit; shingle the roof and paint or solid-colored stain the siding using quality, 100% acrylic latex exterior product with a minimum of two (2) coats within thirty (30) days of assembly; caulk above all doors and all horizontal and vertical trim boards; paint and seal all exposed edges, sides and faces of siding/trim and OSB siding to include all exterior walls and all sides and all edges of doors.

Gazebos & Pergolas

To validate your warranty, it is necessary to properly maintain your Backyard Storage Solutions, LLC unit. This includes treating all of the exposed cedar and pine surfaces on your gazebo or pergola structure with an exterior grade wood preservative, an exterior oil-based semi-transparent stain, an acrylic latex exterior paint or an acrylic latex solid color exterior stain within 30 days of assembly and as needed thereafter to maintain your warranty.

Keep vegetation trimmed away from building and make sure siding panels and trim do not come in contact with masonry or cement. The minimum ground clearance for siding must be one half inch ($\frac{1}{2}$ inch) from concrete slab or two and one half inches ($2\frac{1}{2}$ ") from the ground when building is erected or constructed on a treated wood floor kit. Water from sprinklers must be kept off unit. In no event will Backyard Storage Solutions, LLC be responsible for any indirect, incidental, consequential or special damages nor for failure(s) that are caused by events, acts or omissions beyond our control including, but not limited to, misuse or improper assembly, improper maintenance (which eventually leads to rot or decay) and acts of God. Backyard Storage Solutions, LLC will not be held responsible for any labor costs incurred to construct your unit.

This warranty gives you certain specific rights that vary from state to state.

CLAIM PROCEDURE

To make a claim under this warranty, you can either call 1-888-827-9056 or email: customerservice@backyardproducts.com.

Please have ready the information below when you call or include the information in your email:

1. The model and size of the product.
2. A list of the part(s) for which the claim is made.
3. Proof of purchase of the Backyard Storage Solutions, LLC item, as shown on the original invoice or receipt.
4. Run code: found on exterior product label or assembly instructions enclosed in the product package.

All other inquiries can be mailed to:

Backyard Storage Solutions, LLC
Attn: Customer Service
1000 Ternes
Monroe, MI 48162

***WARRANTY TERMS MAY VARY OUTSIDE THE U.S.A.
IMPORTANT: This is your warranty certificate.**

10Y MV LDR: 3/20/2019