

DEWALT®



**Instruction Manual
Manual de instrucciones
Guide d'utilisation**

DXV10SB

10 GALLON (38 L) STAINLESS STEEL WET/DRY VACUUM

ASPIRADORA PARA LIQUIDOS Y SOLIDOS DE 38 L

ASPIRATEUR HUMIDE/SEC EN ACIER INOXYDABLE DE 38 L

www.DEWALT.com

If you have questions or comments, contact us.

Si tiene dudas o comentarios, contáctenos.

Pour toute question ou tout commentaire, nous contacter.

1-888-899-0146

ENGLISH

English (*original instructions*)

1

Español (traducido de las instrucciones originales)

11

Français (Description originale)

21

DEFINITIONS: SAFETY ALERT SYMBOLS AND WORDS

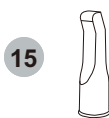
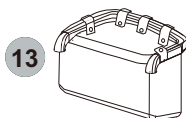
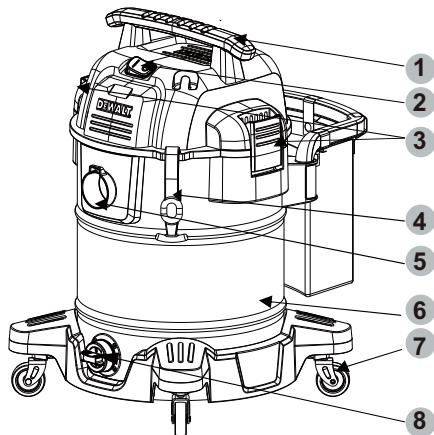
This instruction manual uses the following safety alert symbols and words to alert people to hazardous situations and the risk of personal injury or property damage.

! **DANGER:** Indicates an imminently hazardous situation which, if not avoided, **will** result in death or serious injury.

! **WARNING:** Indicates a potentially hazardous situation which, if not avoided, **could** result in death or serious injury.

! **CAUTION:** Indicates a potentially hazardous situation which, if not avoided, **may** result in minor or moderate injury.

NOTICE: Indicates a practice **not related to personal injury** which, if not avoided, **may** result in **property damage**.



AA

BB

CC

DD



- 1 Handle
- 2 Power switch
- 3 Lid latch
- 4 Hose strap
- 5 Vacuum port
- 6 Dust tank
- 7 Rubberized casters
- 8 Drain port
- 9 1-7/8" Durable hose (DXVA19-2500)
- 10 Extension wand (DXVA19-1200A)
- 11 Floor nozzle (DXVA19-1900D)
- 12 Round brush (DXVA19-2400)
- 13 Accessory bag with holder (DXVA19-5256)
- 14 Disposable filter bag (DXVA19-4101)
- 15 Car nozzle (DXVA19-4333)
- 16 Utility nozzle (DXVA19-1300)
- 17 Clean connect™ filter (DXVC6910)
- 18 Instruction manual

- AA Castor
- BB Self-tapping screw
- CC Bracket
- DD Phillips screwdriver (Not Included)

! **WARNING:** Read all safety warnings and all instructions. Failure to follow the warnings and instructions may result in electric shock, fire and/or serious injury.

! **WARNING:** To reduce the risk of injury, read the instruction manual.

If you have any questions or comments about this or any DeWALT tool, call us toll free at: 1-888-899-0146.

IMPORTANT SAFETY INSTRUCTIONS

⚠ WARNING: When using electric appliances, always follow basic safety precautions to reduce the risk of fire, electric shock and personal injury, including the following:

BEFORE USING THIS APPLIANCE, READ AND FOLLOW ALL INSTRUCTIONS.

⚠ WARNING: To reduce the risk of electric shock. Do not expose to rain. Store indoors.

- Do not leave the appliance when it is connected to a power source. Unplug it from outlet when not in use and before servicing.
- Do not allow the appliance to be used as a toy. Pay close attention when the appliance is used by or near children.
- Use this appliance ONLY as described in the manual. Use only DeWALT recommended attachments.
- Do not use this appliance with a damaged cord or plug. If the appliance is not working correctly, or if it has been dropped, damaged, left outdoors, or dropped in water, return it to a service center.
- Do not pull or carry this appliance by the cord, use the cord as a handle, close a door on the cord, or pull the cord around sharp edges or corners. Do not run the appliance over the cord. Keep cord away from heated surfaces.
- Do not unplug this appliance by pulling on the cord. To unplug, grasp the plug, not the cord.
- Do not handle the plug or appliance with wet hands.
- Do not put any objects into the openings of the appliance. Do not use the appliance with any opening blocked; keep free of dust, lint, hair and anything else that may reduce air flow.
- Keep hair, loose clothing, fingers, and all body parts away from the openings and moving parts.
- Turn off all controls before unplugging appliance.
- Take extra care when cleaning on stairs.
- Do not use the appliance to pick up flammable or combustible liquids, such as gasoline, or use in areas where flammable or combustible liquids are present.
- Static shocks are possible in dry areas or when the relative humidity of the air is low. This is only temporary and does not affect the use of the vacuum. To reduce the frequency of static shocks, add moisture to the air with a console, installed humidifier or use anti-static hose (standard on some models).
- To avoid spontaneous combustion, empty the dust tank after each use.

**SAVE THESE INSTRUCTIONS
ADDITIONAL SAFETY RULES**

⚠ WARNING

- Do not pick up anything that is burning or smoking, such as cigarettes, matches, or hot ashes.
- Do not use to vacuum combustible explosive materials, such as coal, grain, or other finely divided combustible materials.
- Do not use to vacuum hazardous, toxic or carcinogenic materials, such as asbestos or pesticide.
- Never pick up explosive liquids (e.g. gasoline, diesel fuel, heating oil, paint thinner, etc.), acids or solvents.
- Do not use vacuum without filters in place.
- Some wood contains preservatives which can be toxic. Take extra care to prevent inhalation and skin contact when working with these materials. Request and follow any safety information available from the material supplier.
- Do not use vacuum as a step ladder.
- Do not place heavy objects on vacuum.
- **An extension cord must have adequate wire size (AWG or American Wire Gauge) for safety.** The smaller the gauge number of the wire, the greater the capacity of the cable, that is 16 gauge has more capacity than 18 gauge. An undersized cord will cause a drop in line voltage resulting in loss of power and overheating. When using more than one extension to make up the total length, be sure each individual extension cord contains at least the minimum wire size. The following table shows the correct size to use. If in doubt, use the next heavier gauge. The smaller the gauge number, the heavier the cord.
- If an extension cord is to be used outdoors it must be marked with the suffix W-A or W following the cord type designation. For example – SJTW-A indicates it is acceptable for outdoor use.

		Minimum Gauge for Cord Sets				
		Volts	Total Length of Cord in Feet (meters)			
Ampere Rating		120V	25 (7.6)	50 (15.2)	100 (30.5)	150 (45.7)
		240V	50 (15.2)	100 (30.5)	200 (61.0)	300 (91.4)
More Than	Not More Than	AWG				
0	6	18	16	16	14	
6	10	18	16	14	12	
10	12	16	16	14	12	
12	16	14	12	Not Recommended		


⚠ WARNING: Always wear proper personal hearing protection that conforms to ANSI S12.6 (S3.19) during use. Under some conditions and duration of use, noise from this product may contribute to hearing loss.

⚠ WARNING: Always use safety goggles. Everyday eyeglasses are NOT safety goggles. Also use face or dust mask if area of operation is dusty. ALWAYS WEAR CERTIFIED SAFETY EQUIPMENT:

- ANSI Z87.1 eye protection (CAN/ CSA Z94.3),
- ANSI S12.6 (S3.19) hearing protection,
- NIOSH/ OSHA/ MSHA respiratory protection.

To reduce the exposure to these chemicals, wear approved safety equipment such as dust masks that are specially designed to filter out microscopic particles.

⚠ WARNING
SERVICING OF DOUBLE-INSULATED WET/DRY VAC

In a double-insulated Wet/Dry Vac, two systems of insulation are provided instead of grounding. No grounding means is provided on a double-insulated appliance, nor should a means for grounding be added. Servicing a double-insulated Wet/Dry Vac requires extreme care and knowledge of the system and should be done only by qualified service personnel. Replacement parts for a double-insulated Wet/Dry Vac must be identical to the parts they replace. Your double-insulated Wet/Dry Vac is marked with the words "DOUBLE INSULATED" and the symbol  (square within a square) may also be marked on the appliance.

To reduce the risk of injury from electrical shock, unplug power cord before servicing the electrical parts of the Wet/Dry Vac.

IMPORTANT:

If the supply cord is damaged, it must be replaced by the manufacturer or its service agent or a similarly qualified person in order to avoid a hazard.

IMPORTANT:

Remove the plug from the socket before performing maintenance. Before using the machine make sure that the frequency and voltage shown on the rating plate correspond with the mains voltage. Specifications and details are subject to change without prior notice. The accessories shown in the pictures may vary from model to model.

IMPORTANT SAFEGUARDS

The symbol on the product or packaging indicates that the product must not be treated as domestic refuse. Instead, it should be handed in to a collection point for the recycling of electrical and electronic components. By ensuring the product is treated in the correct manner, you will help prevent any negative impact on the environment and health that might arise were the product to be discarded as ordinary refuse. For further information about recycling, you should contact your local authorities, refuse collection service or the sales outlet where you bought the goods.



⚠ WARNING: This product can expose people to chemicals including lead, which is known to the State of California to cause cancer, birth defects or other reproductive harm. For more information go to www.P65Warnings.ca.gov.

⚠ WARNING: This product is NOT to be used for filtering of pathogens, for example COVID-19. Follow all local, state and federal guidance on general cleaning practices.

⚠ WARNING

- TO REDUCE THE RISK OF INJURY, USERS MUST READ INSTRUCTION MANUAL. DO NOT RUN UNATTENDED. DO NOT PICK UP FLAMMABLE, COMBUSTIBLE OR HOT MATERIALS. DO NOT USE AROUND EXPLOSIVE DUST, LIQUIDS OR VAPORS. ELECTRICAL DEVICES PRODUCE ARCS OR SPARKS WHICH CAN CAUSE FIRE OR EXPLOSION. DO NOT USE AT FILLING STATIONS OR ANYWHERE GASOLINE IS STORED OR DISPENSED. DO NOT VACUUM TOXIC OR CARCINOGENIC MATERIALS OR OTHER HEALTH ENDANGERING MATERIALS SUCH AS ASBESTOS OR PESTICIDES. ALWAYS USE PROPER EYE AND RESPIRATORY PROTECTION. TO REDUCE THE RISK OF ELECTRICAL SHOCK, DO NOT EXPOSE TO RAIN. STORE INDOORS. WHEN SERVICING, USE ONLY IDENTICAL REPLACEMENT PARTS. DO NOT TO BE USED AS A STEP STOOL.

PRODUCT SPECIFICATIONS

Model	DXV10SB
Tank Capacity	10 Gallon
Power	120 V / 60 Hz / 10 A
Motor	Single Stage
Hose	1-7/8 in. x 7 ft.
Power cord	SJTW18AWG / 20 ft. Length

SAVE THESE INSTRUCTIONS OPERATING INSTRUCTIONS

UNPACKING & SETUP SUMMARY

1. Pull lid latches in an outward motion, remove power head and some accessories that may have been shipped in the tank.
2. Attach accessories following the instructions in this manual.
3. Before replacing power head, refer to this manual to ensure you have the proper filter installed for the cleaning operation.
4. Replace power head, and apply pressure with thumb to each latch until it snaps tightly in place. Make sure all lid latches are clamped securely.
5. Insert the hose end into inlet of tank.
6. Attach the extension wands to the end of the hose. Apply slight pressure until fitting is tight.
7. Attach one of the cleaning accessories (depending on the cleaning requirements) to the extension wands. Twist slightly to tighten the connection.
8. Plug the cord into the wall outlet. The vacuum is ready for use.
9. To reduce the risk of injury from accidental starting, always shut off vacuum and disconnect the power plug from the wall outlet before installing any part or cleaning accessory.

⚠ WARNING

Do not alter the plug in any way. If the plug does not fit fully in the outlet, reverse the plug. If it still does not fit, contact a qualified electrician to install the proper outlet.

⚠ WARNING

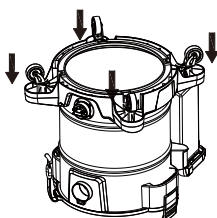
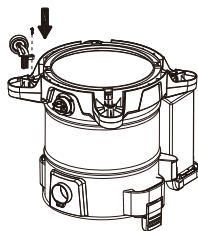
To reduce the risk of fire or explosion, do not operate this vac in areas with flammable gases, vapors or explosive dust in the air. Flammable gases or vapors include but are not limited to: lighter fluid, solvent-type cleaners, oil-based paints, gasoline, alcohol or aerosol sprays. Explosive dusts include but are not limited to: coal, magnesium, aluminum, and grain or gun powder. Do not vacuum explosive dust, flammable or combustible liquids or hot ashes. Do not use this vac as a sprayer for any flammable or combustible liquid. To reduce the risk of health hazards from vapors or dusts, do not vacuum toxic materials.

⚠ WARNING

The operation of any utility vac can result in foreign objects being blown into the eyes, which can result in severe eye injury. Always wear safety goggles complying with ANSI Z87.1 (or in Canada, CSA Z94.3) before starting operation.

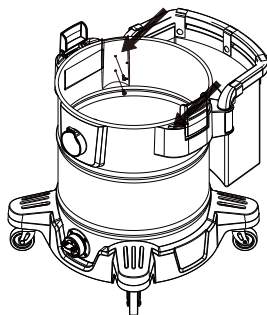
CASTER ASSEMBLY

1. Invert dust tank, take the caster to align the tank bottom sinking place. Secure with screws provided.
2. Return dust tank assembly upright.

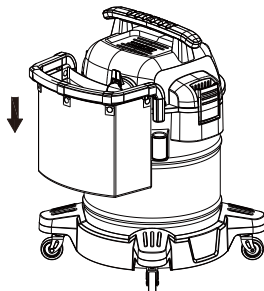


ACCESSORY BAG HOLDER BRACKET ASSEMBLY

Attach 2 accessory bag holder brackets to tank with 4 self-tapping screws provided.



Place the accessory bag holder into the hole of bracket. (See illustration).



⚠ WARNING

To reduce the risk of fire or explosion, do not operate this vac in areas with flammable gases, vapors or explosive dust in the air. Flammable gases or vapors include but are not limited to: lighter fluid, solvent-type cleaners, oil-based paints, gasoline, alcohol or aerosol sprays. Explosive dusts include but are not limited to: coal, magnesium, aluminum, and grain or gun powder. Do not vacuum explosive dust, flammable or combustible liquids or hot ashes. Do not use this vac as a sprayer for any flammable or combustible liquid. To reduce the risk of health hazards from vapors or dusts, do not vacuum toxic materials.

⚠ WARNING

The operation of any utility vac can result in foreign objects being blown into the eyes, which can result in severe eye injury. Always wear safety goggles complying with ANSI Z87.1 (or in Canada, CSA Z94.3) before starting operation.

⚠ CAUTION

To reduce the risk of hearing loss, wear ear protectors when using the vac for extended hours or when using it in a noisy area. The unit is ready for dry vacuuming.

After plug the power cord into the wall receptacle, turn the unit "ON" by pushing the switch position with 1 embossing straps is the "ON" position.



ON



OFF

DRY PICK-UP

1. The filter must always be in correct position to reduce the risk of leaks and possible damage to vac. Make sure that the filter is completely covering the filter cage. Make sure there are no gaps between the filter and the lid. It is very important to assemble the filter to the cage without any possible leaks or tears. Any leaks will allow the picked up debris to be blown out of the blowing port and back into the surrounding environment.

2. When using the vac to pick up fine dust, it will be necessary to empty the dust tank and clean or replace the filter at more frequent intervals to maintain peak vac performance.

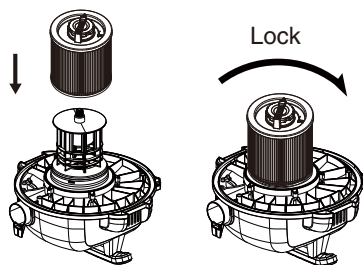
NOTICE:

A dry filter is necessary to pick up dry material. If use the vac to pick up dust when the filter is wet, the filter will clog quickly and be very difficult to clean. If the filter gets wet, replace it before continuing to do dry pickups.

INSTALLING THE CARTRIDGE FILTER

The cartridge filter can be used for wet or dry pick-up, installation is the same for both.

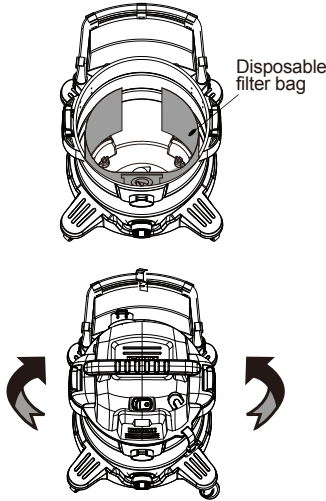
1. With the power head in an upside down position, slide the cartridge filter down over the lid cage, push the filter seals against the power head.
2. Turn the knob on filter retainer clockwise to tighten, the filter into place.
3. To remove the filter for cleaning, turn the filter knob counter clockwise till feel the tactile and auditory cue, and make sure the knob arrow align with the "Unlock" icon on the filter cap, then slide the cartridge filter off the lid cage. then grasp the step of knob tightly with fingers to pull the cartridge filter out off the cage.
4. To clean the cartridge filter, shake or brush off excess dirt or rinse (from the inside of the filter) with water, dry completely (approximately 24 hours) and re-install.

**NOTICE:**

If the filter has been used for wet pick-up, it must be cleaned and dried before dry pick-up.

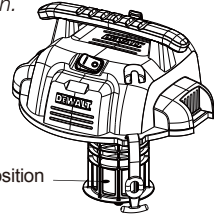
INSTALLING THE DISPOSABLE FILTER BAG

1. Slide the cardboard collar opening firmly onto the vacuum port deflector until it stops against the deflector wall.
2. Position the bag so that it is distributed around the inside of the tank.
3. Replace and secure the power head onto the tank.



3. This wet/ dry vac is equipped with a float mechanism which will rise automatically to cut off the airflow when the liquid in the tank reaches a predetermined level. When this happens, turn off vac, unplug the power cord, and empty the dust tank. You will know that the float has shut the airflow off because the suction ceases and the motor noise becomes higher in pitch due to increased motor speed. The liquid capacity may vary with the rate of pickup.

IMPORTANT: To reduce the risk of damage to the vac, do not run motor with float in raised position.



Float in raised position

NOTE: IF ACCIDENTALLY TIPPED OVER, THE VACUUM COULD CLOSED SUCTION. IF THIS OCCURS, PLACE VAC IN UPRIGHT POSITION AND TURN SWITCH OFF. THIS WILL ALLOW THE FLOAT TO RETURN TO ITS NORMAL POSITION, AND YOU WILL BE ABLE TO CONTINUE OPERATION.

WET PICK-UP

The cartridge filter must be positioned over the filter cage while vacuuming liquids. When picking up several tanks full of liquid, the cartridge filter will become saturated and misting may appear in the exhaust air. At this time, the should dry or replace the cartridge filter to eliminate the misting and possible dripping of liquid around the lid. After completing a wet pick-up job, raise the hose to drain any excess liquid into the tank before shutting off. The interior of tank should be periodically cleaned.

1. Always disconnect the plug from the wall outlet before removing the power head. Place power head in an upside down position. Remove the cartridge filter by sliding it up and off the filter cage.
2. Shake excess dust off the cartridge filter with a rapid up and down movement.

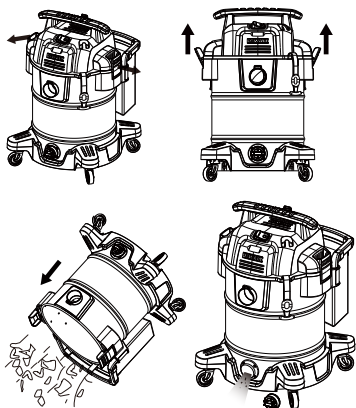
NOTE: WET PICK-UP ACCESSORIES SHOULD BE WASHED PERIODICALLY, ESPECIALLY AFTER PICKING UP WET, STICKY FLUIDS OR SPILLS. THIS CAN BE ACCOMPLISHED WITH A WARM SOLUTION OF SOAP AND WATER.

EMPTY THE TANK

⚠ WARNING

To reduce the risk of injury from accidental starting, unplug power cord before emptying the dust tank.

1. Remove the power head assembly of the wet/ dry vac by pulling outward on the lid clips located on each side of the vac. Lift off the power head assembly.
2. Dump the tank contents into the proper waste disposal container.
3. Liquids may be emptied through the tank drain. To empty, turn the Unit off and remove the plug from the wall outlet. Remove the drain cap and deposit the liquid waste contents in a suitable drain. After tank is empty, return the drain cap to its original position. To continue use, plug the cord into the wall outlet and turn the unit on.



BLOWING OPERATION

⚠ WARNING

Always wear safety goggles complying with ANSI Z87.1 (or in Canada CSA Z94.3) when using as a blower.

⚠ WARNING

To avoid injury to bystanders, keep them clear of blowing debris.

⚠ CAUTION

Wear a dust mask if impeller dust which might be inhaled.

⚠ CAUTION

To reduce the risk of hearing loss, wear ear protectors when using the vac/blower for extended hours or when using it in a noisy area.

The vac contains a blowing feature. It has the capability to blow sawdust and other debris. It can be used to blow dust and debris out of garages or off patios and driveways. Follow the steps below to use the vac as a blower.

1. Locate blowing port on the vac.
2. Insert one end of the 1-7/8 in. x 7 ft. hose into the blowing port.
3. Turn vac "ON".



CARE AND MAINTENANCE

FILTER REPLACEMENT

⚠ WARNING

To reduce the risk of injury from accidental starting, unplug power cord before changing or cleaning the filter. The filter should be cleaned often to maintain peak vac performance.

⚠ WARNING

Do not remove filter cage and float. The float prevents water from entering the impeller and damaging the motor. The cage prevents fingers from touching the moving impeller.

IMPORTANT:

To avoid damage to the blower wheel and motor, always reinstall the Clean Connect™ filter before using the vac for dry pickups and wet pickups.

IMPORTANT:

After cleaning, check the filter for tears or small holes. Do not use a filter with holes or tears in it. Even a small hole can cause a lot of dust to come out of the vac.

Replace it immediately.

NOTICE:

Before installing the filter on the vac, clean the area of the lid so that the filter will seal against the lid and stop small particles from bypassing the filter bag. If the filter is clean and not damaged, replace it on the filter cage.

If it cannot be reused, place a new filter over the filter cage.

NOTICE:

Clean the filter in an open area. Cleaning should be done outdoors and not in living quarters.

CLEANING

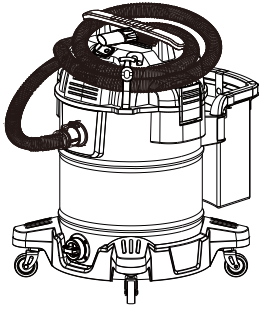
To keep the wet/ dry vac looking its best, clean the outside with a cloth dampened with warm water and mild soap.

To clean the tank:

1. Dump out debris.
2. Wash tank thoroughly with warm water and mild soap.
3. Wipe with dry cloth.

STORAGE

Before storing the vac, the dust tank should be emptied and cleaned. The cord should be wrapped and hung on the unit and the accessories should be kept in accessory bag so they can be readily available. The vac should be stored indoors.

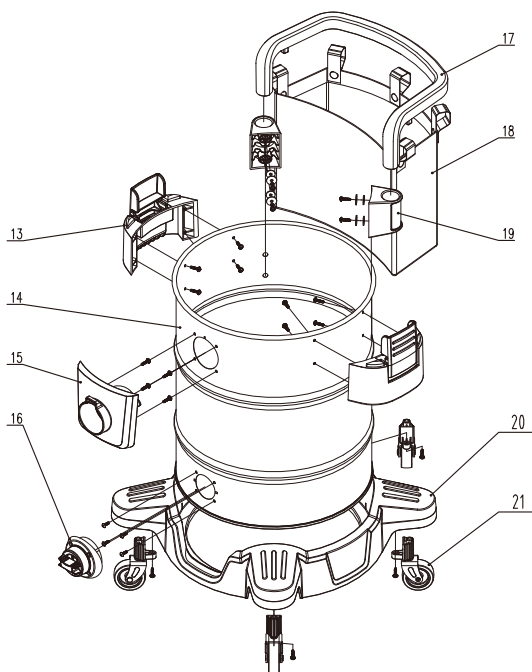
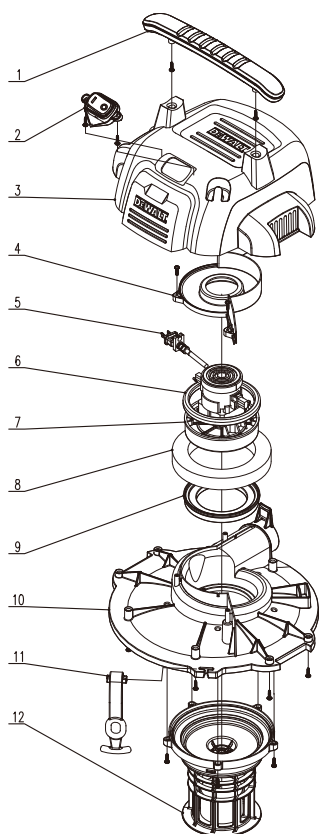


TROUBLESHOOTING

Minor problems often can be fixed without calling customer service.

PROBLEM	SOLUTION
Motor does not run	Check power cord, plugs and outlet.
	Ensure the on/ off switch is in the ON position (I)
Suction capacity decreases	Remove blockages in the nozzle, suction tube, suction hose or filter.
	Replace the paper or disposable dust bag.
	Check for proper installation of the filter.
	Clean or replace the filter.
	Empty the dust tank, refer to Empty the tank under Operating instructions.
Vacuum stops running	<p>Thermal overload has been tripped:</p> <ol style="list-style-type: none"> 1. Turn the vacuum off and disconnect vacuum cleaner from power source. 2. Empty the canister, if needed. 3. Allow the unit to cool. 4. Plug the power cord into an appropriate outlet and turn on/off switch to the ON position (I) to test. If vacuum will not restart call 1-888-899-0146
Dust comes out while vacuuming	Check for proper installation of the filter.
	Ensure filters are not damaged; replace if necessary.
	Ensure filter seals are in place and are secure.

EXPLODED VIEW / PARTS LIST



PART	DESCRIPTION	QTY
1	Handle	1
2	Power Switch	1
3	Top Cover	1
4	Thermal Baffle	1
5	Power Cord	1
6	Motor Sealing Ring	1
7	Motor	1
8	Sponge	1
9	Motor Support Sealing Ring	1
10	Lid	1

PART	DESCRIPTION	QTY
11	Hose Strap	1
12	Filter Cage Assy	1
13	Lid Latches	2
14	Dust Tank	1
15	Vacuum Port	1
16	Drain Port	1
17	Accessory Bag with Holder	1
18	Accessories bag	1
19	Bag Holder Bracket	2
20	Wheel support	1
21	Heavy-duty Rubberized Caster	4

WARRANTY

**Alton Industry Ltd. Group
3-Year Limited Warranty**

This warranty covers any defects in materials or workmanship of the enclosed product. Alton Industry Ltd. Group will repair or replace any defective materials due to craftsmanship of the product. This warranty does not cover any problem caused by misuse, abuse, accidents or acts of God, such as floods or hurricanes. Consequential and incidental damages are not covered under this warranty. Coverage terminates if you sell or otherwise transfer the ownership. If you feel you have a defective product, please submit a copy of your receipt to the address below and call 1-888-899-0146 for instructions prior returning this item to the store or sending back to:

Alton Industry Ltd. Group
643 Innovation Dr.
West Chicago, IL 60185

We will inspect the product and contact you within 72 hours to give you the results of our inspection. We reserve the right to repair or replace the product at our discretion. However, we may replace the product with one of similar but not exact features. Parts and Service Information available call Alton Industry at 1-888-899-0146. This warranty gives you specific legal rights. You may have other rights which vary from state to state.

DEFINICIONES: SÍMBOLOS Y PALABRAS DE ALERTA DE SEGURIDAD

Este manual de instrucciones utiliza los siguientes símbolos y palabras de alerta de seguridad para alertarle de situaciones peligrosas y del riesgo de lesiones corporales o daños materiales.



PELIGRO: Indica una situación de peligro inminente que, si no se evita, provocará **la muerte o lesiones graves**.

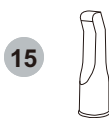
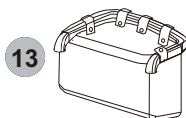
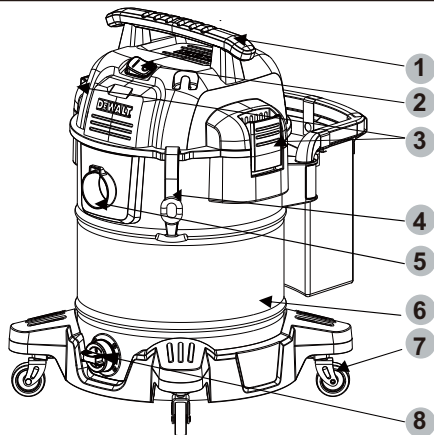


ADVERTENCIA: Indica una situación de peligro potencial que, si no se evita, **podría** provocar **la muerte o lesiones graves**.



ATENCIÓN: Indica una situación de peligro potencial que, si no se evita, **posiblemente** provocaría **lesiones leves o moderadas**.

AVISO: Se refiere a una práctica **no relacionada a lesiones corporales** que de no evitarse puede resultar en **daños a la propiedad**.



AA

BB

CC

DD



1 Manejar

2 Interruptor

3 Tapa pestillo

4 Correa de manguera

5 De vacío de puerto

6 Depósito de polvo

7 Ruedas de goma

8 Conexión de purga

14 Desechables bolsa de polvo (DXVA19-4101)

15 Boquilla de coche (DXVA19-4333)

16 Boquilla de utilidad (DXVA19-1300)

17 Filtro de Clean-Lock™ (DXVC6910)

18 Manual de instrucciones

AA Castor

BB Tornillo penetrante

CC Bracket

DD Destornillador phillips
(No incluida)

9 1-7/8" Manguera duradera (DXVA19-2500)

10 Tubo extensión (DXVA19-1200A)

11 Boquilla para pisos (DXVA19-1900D)

12 Cepillo redondo (DXVA19-2400)

13 Almacenamiento de accesorios (DXVA19-5256)



ADVERTENCIA: Lea todas las advertencias de seguridad e instrucciones. El incumplimiento de las advertencias e instrucciones puede provocar descargas eléctricas, incendios o lesiones graves.



ADVERTENCIA: Para reducir el riesgo de lesiones, lea el manual de instrucciones.

Si tiene alguna duda o algún comentario sobre ésta u otra herramienta DEWALT, llámenos al número gratuito: 1-888-899-0146.

INSTRUCCIONES DE SEGURIDAD IMPORTANTES

⚠️ ADVERTENCIA: Cuando utilice aparatos eléctricos, siempre siga instrucciones básicas de seguridad para reducir el riesgo de incendio, descarga eléctrica y lesiones corporales, incluyendo las siguientes:

ANTES DE UTILIZAR ESTE APARATO, LEA Y SIGA TODAS LAS INSTRUCCIONES.

⚠️ ADVERTENCIA: Para reducir el riesgo de descarga eléctrica, no exponer a la lluvia. Almacenar bajo techo.

- No exponga el aparato a la lluvia. Almacénelo en el interior. Esto reducirá el riesgo de descargas eléctricas.
- No permita que se juegue con él. Preste especial atención si el aparato es utilizado por o cerca de niños.
- **SÓLO** use este aparato como lo describe el manual. Use sólo los accesorios DEWALT recomendados.
- No use este aparato si su cable o enchufe están dañados. Si el aparato no funciona debidamente, o si se ha caído, dañado, dejado a la intemperie, o si se ha caído en agua, devuélvalo a un centro de servicio.
- No tire del cable, levante el aparato por el cable, use el cable como un mango, cierre la puerta si el cable está en el umbral, o tire del cable entorno a bordes o esquinas a lados. No atropelle el cable con el aparato. Mantenga el cable alejado de superficies calientes.
- No tire del cable para desenchufar el aparato. Para desenchufarlo, tome el enchufe con meza, no el cable.
- No toque el enchufe o el aparato si tiene las manos mojadas.
- No inserte ningún objeto por las aperturas del aparato. No utilice este aparato si tiene alguna apertura bloqueada; manténgalo sin polvo, pelusa, pelo o cualquier otra cosa que podría reducir el flujo de aire.
- Mantenga su cabello, vestimenta suelta, dedos y toda parte de su cuerpo alejados de las aperturas y piezas móviles del aparato.
- Apague todos los controles antes de desenchufar el aparato.
- Tenga especial cuidado cuando lo use para limpiar en escaleras.
- No use el aparato para recoger líquidos o combustibles, como gasolina, ni lo use en lugares donde exista la presencia de líquidos inflamables o combustibles.
- Es posible que se produzcan descargas estáticas en áreas secas o cuando la humedad relativa del aire sea baja. Esto es

solo pasajero y no afecta la utilización de la aspiradora. Para reducir la frecuencia de las descargas estáticas, agregue humedad al aire con un adorno instalado de consola o use la manguera antiestática (estándar en algunos modelos).

- Para evitar una combustión espontánea, vacíe el recipiente después de cada uso.

GUARDE ESTAS INSTRUCCIONES REGLAS DE SEGURIDAD ADICIONALES

⚠️ ADVERTENCIA

- No recoja nada que se esté quemando o que esté humeando, como cigarrillos, fósforos o cenizas calientes.
- No use para aspirar materiales combustibles explosivos, como carbón, grano u otro material combustible amante dividido.
- No utilice para aspirar materiales peligrosos, tóxicos o cancerígenos, tales como asbesto o pesticida.
- Nunca recoja líquidos explosivos (como gasolina, combustible diesel, gasóleo, diluyente de pintura, etc.), ácidos o solventes.
- No utilice la aspiradora sin los filtros bien puestos.
- Alguna madera contiene preservantes que pueden ser tóxicos. Tenga especial cuidado para prevenir la inhalación y el contacto con la piel cuando trabaje con estos materiales. Solicite y siga cualquier información de seguridad que el proveedor de materiales ponga a su disposición.
- No use la aspiradora como escalera de mano.
- No coloque objetos pesados sobre la aspiradora.
- **Los hilos del alargador deben ser de un calibre apropiado (AWG o American Wire Gauge) para su seguridad.** Mientras menor sea el calibre del hilo, mayor la capacidad del cable. Es decir, un hilo calibre 16 tiene mayor capacidad que uno de 18. Un cable de un calibre insuficiente causará una caída en la tensión de la línea dando por resultado una pérdida de energía y sobrecalentamiento. Cuando se utilice más de un alargador para completar el largo total, asegúrese que los hilos de cada alargador tengan el calibre mínimo. La tabla siguiente muestra el tamaño correcto a utilizar. Si tiene dudas sobre cuál calibre usar, use un calibre mayor. Cuanto más pequeño sea el número del calibre, más resistente será el cable.
- Si utilizará un alargador en el exterior, deberá tener marcado el sufijo W-A ó W luego de la designación del tipo de cable. Por ejemplo – SJTW-A para indicar que es aceptable para usar afuera.

Calibre mínimo para cables de alimentación						
Amperaje		Voltios	Largo total del cordón en metros (pies)			
		120V	7,6 (25)	15,2 (50)	30,5 (100)	45,7 (150)
		240V	15,2 (50)	30,5 (100)	61,0 (200)	91,4 (300)
Más de	No más de	AWG				
0	6		18	16	16	14
6	10		18	16	14	12
10	12		16	16	14	12
12	16		14	12		No recomendado

⚠️ ADVERTENCIA: Siempre use protección auditiva personal en conformidad con ANSI S12.6 (S3.19) durante el uso de este aparato. Bajo algunas condiciones y duraciones de uso, el ruido producido por este producto puede contribuir a la pérdida auditiva.

⚠️ ADVERTENCIA: SIEMPRE utilice gafas de seguridad. Los anteojos de diario NO SON gafas de seguridad. Utilice también careta o mascarilla si se produce polvo al operar en el área. PORTE SIEMPRE EQUIPO DE SEGURIDAD CERTIFICADO:


- Protección ocular ANSI Z87.1 (CAN/CSA Z94.3),
- Protección auditiva ANSI S12.6 (S3.19),
- Protección respiratoria NIOSH/OSHA/MSHA.

⚠️ ADVERTENCIA

El funcionamiento de cualquier vac de la utilidad puede resultar en objetos extraños siendo soplado en los ojos, lo que puede resultar en lesiones oculares graves. Siempre use gafas de seguridad que cumplan con ANSI Z87.1 (o en Canadá, CSA Z94.3) antes de comenzar la operación.

⚠️ ADVERTENCIA

MANTENIMIENTO DE UNA ASPIRADORA PARA SECO Y MOJADO CON DOBLE AISLAMIENTO

En una aspiradora para seco y mojado con doble aislamiento cuentan con dos sistemas de aislamiento en lugar de una conexión a tierra. Los electrodomésticos con doble aislamiento no cuentan con un medio de puesta a tierra ni se le debe agregar uno. El mantenimiento de una aspiradora para seco y mojado con doble aislamiento requiere extremo cuidado y amplios conocimientos del sistema, por lo que solo debe estar a cargo de personal de mantenimiento calificado. Las piezas de repuesto para una aspiradora para seco y mojado con doble aislamiento deben ser idénticas a las piezas que reemplazan. Su aspiradora para seco y mojado con doble aislamiento está marcada con las palabras "DOBLE AISLAMIENTO" y el símbolo  (cuadrado dentro de otro cuadrado) puede estar marcado sobre el electrodoméstico. Para reducir el riesgo de lesiones provocadas por descargas eléctricas, desenchufe el electrodoméstico antes de realizar el mantenimiento a las piezas eléctricas de la con aspiradora para seco y mojado.

⚠️ ADVERTENCIA

Este producto NO debe usarse para filtrar patógenos, por ejemplo, COVID-19. Siga todas las pautas locales, estatales y federales sobre prácticas generales de limpieza.

IMPORTANTE!

Si el cable de alimentación está dañado, este debe ser reemplazado por el fabricante, su empresa de servicio o una persona con calificación similar para evitar peligros.

IMPORTANTE!

Desconecte el enchufe del tomacorriente antes de realizar mantenimiento. Antes de usar la máquina, asegúrese de que la frecuencia y el voltaje indicado en la placa de calificaciones corresponda con el voltaje. Las especificaciones y los detalles están sujetos a cambio sin previo aviso. Los accesorios que se muestran en las imágenes pueden variar de un modelo a otro.

MEDIDAS DE SEGURIDAD IMPORTANTES

El símbolo en el producto o el paquete indica que el producto usado no se debe considerar parte de los desechos domésticos. En cambio, este debe llevarse a un punto de recolección para el reciclaje de componentes eléctricos y electrónicos. Al garantizar que el producto se trató de la manera correcta, ayudará a evitar cualquier impacto negativo sobre el medio ambiente y la salud que podría originarse si el producto se eliminara como desecho ordinario. Para obtener más información sobre el reciclaje, póngase en contacto con sus autoridades locales, su servicio de recolección de desechos o el punto de venta donde lo compró.



⚠️ ADVERTENCIA

- PARA REDUCIR EL RIESGO DE FUEGO, CHOQUE ELÉCTRICO O LESIONES: LEA TODAS LAS INSTRUCCIONES ANTES DE USAR EL APARATO. NO DEJE EL APARATO CONECTADO. DESCONÉCTELO DE LA TOMA DE CORRIENTE CUANDO NO LO ESTÉ USANDO Y ANTES DE HACERLE ALGÚN SERVICIO. NO EXPONGA A LA LLUVIA, ALMACÉNELO EN EL INTERIOR. NO UTILICE CON EL CABLE O EL ENCHUFE DAÑADO. MANTENGA EL CABLE ALEJADO DE SUPERFICIES CALIENTES. NO LO UTILICE PARA ASPIRAR LÍQUIDOS COMBUSTIBLES O FLAMABLES; COMO GASOLINA, NI LO USE EN ÁREAS DONDE PUEDAN ESTAR PRESENTES. NO ASPIRE NADA QUE ESTÉ ENCENDIDO O FUMÁNDOSE, COMO CIGARROS, CERILLOS O CENIZAS CALIENTES. NO ASPIRE TÓXICOS, CANCERÍGENOS, COMBUSTIBLE U OTROS MATERIALES PELIGROSOS COMO ASBESTO, PLOMO, PESTICIDAS U OTROS MATERIALES QUE ATENTEN CONTRA LA SALUD. DOBLE INSULATION- AL DAR SERVICIO, SÓLO UTILICE PIEZAS DE REPUESTO IDÉNTICAS. SÓLO PARA USO DOMÉSTICO. PARA USO DOMÉSTICO.

ESPECIFICACIONES DEL PRODUCTO

Modelo	DXV10SB
Capacidad del tanque	38Litros
Potencia	120V / 60Hz / 10A
Motor	De una sola fase
Manguera	4,8 cm x 2,1 m
Cable de alimentación	SJTW18AWG / 6m largo

⚠ ADVERTENCIA: Este producto puede exponerlo a sustancias químicas, incluido el plomo, que el estado de California considera que causan cáncer, defectos de nacimiento u otros daños reproductivos. Para obtener más información, vaya a www.P65Warnings.ca.gov.

GUARDE ESTAS INSTRUCCIONES INSTRUCCIONES DE FUNCIONAMIENTO DESEMBALAJE Y CONFIGURACIÓN

1. Tire de los pestillos de la tapa hacia afuera, retire el cabezal de potencia y algunos accesorios que pueden haberse enviado en el tanque.
2. Conecte los accesorios siguiendo las instrucciones de este manual.
3. Antes de reemplazar el cabezal de potencia, consulte este manual para asegurarse de tener instalado el filtro adecuado para la operación de limpieza.
4. Vuelva a colocar el cabezal de alimentación y aplique presión con el pulgar en cada pestillo hasta que encaje firmemente en su lugar. Asegúrese de que todos los pestillos de la tapa estén bien sujetos.
5. Inserte el extremo de la manguera en la entrada del tanque.
6. Conecte las varillas de extensión al extremo de la manguera. Aplique una ligera presión hasta que el ajuste esté apretado.
7. Conecte uno de los accesorios de limpieza (según los requisitos de limpieza) a las varillas de extensión. Gire ligeramente para apretar la conexión.
8. Enchufe el cable a la toma de corriente. La aspiradora está lista para usar.
9. Para reducir el riesgo de lesiones por arranque accidental, siempre apague la aspiradora y desconecte el enchufe de la toma de corriente de la pared antes de instalar cualquier pieza o accesorio de limpieza.

⚠ ADVERTENCIA

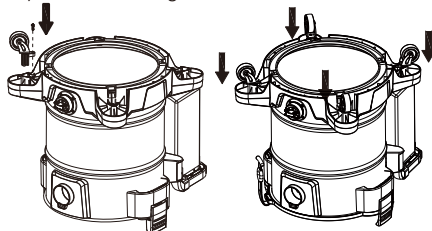
No altere el enchufe de ninguna manera. Si el enchufe no encaja completamente en el tomacorriente, invierta el enchufe. Si aún así no encaja, comuníquese con un electricista calificado para instalar el tomacorriente adecuado.

⚠ ADVERTENCIA

Inflamables o polvo explosivo en el aire. Los gases o vapores inflamables incluyen, entre otros: Líquidos de encendedores, limpiadores tipo solvente, pinturas a base de aceite, gasolina, alcohol y rociadores en aerosol. Los polvos explosivos incluyen, entre otros: Carbón, magnesio, aluminio y pólvora o pólvora cilíndrica. No aspire polvos explosivos, líquidos inflamables o combustibles ni cenizas calientes. No use esta aspiradora como rociador de líquidos inflamables o combustibles. Para reducir el riesgo de peligros para la salud debido a vapores o polvo, no aspire materiales tóxicos.

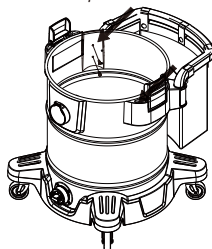
MONTAJE DE LA RUEDA

Use las ruedas provistas e insértelas en la parte inferior de la base de las ruedas como se muestra en la figura. Se requiere una fuerte presión y escuche el clic para asegurarse de que esté bloqueado en su lugar.



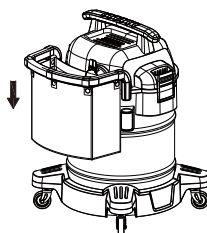
MONTAJE DEL SOPORTE DEL SOPORTE DE ACCESORIOS

Sujete 2 soportes del soporte de la bolsa de accesorios al tanque con 4 tornillos autorroscantes provistos.



MONTAJE DEL SOPORTE DE ACCESORIOS

Coloque el soporte de la bolsa de accesorios en el orificio del soporte.



⚠️ ADVERTENCIA

El funcionamiento de cualquier vac de la utilidad puede resultar en objetos extraños siendo soplado en los ojos, lo que puede resultar en lesiones oculares graves. Siempre use gafas de seguridad que cumplan con ANSI Z87.1 (o en Canadá, CSA Z94.3) antes de comenzar la operación.

⚠️ PRECAUCIÓN

Para reducir el riesgo de pérdida auditiva, use protectores auriculares cuando usar el vac por horas extendidas o al usarlo en un área ruidosa. La unidad está lista para aspirar o soplar en seco. Después de conectar el cable de alimentación en el receptáculo de la pared, encienda la unidad. La posición del interruptor con 1 cintas de gofrado es la posición "APAGADO".



APAGADO



ENCENDIDO

ASPIRADO EN SECO

1. El filtro debe estar siempre en la posición correcta para reducir el riesgo de fugas y posibles daños a la aspiradora. Asegúrese de que el filtro esté cubriendo completamente la caja del filtro y que el aro de la abrazadera esté lo más cerca posible de la tapa. Asegúrese de que no haya espacios entre el filtro y la tapa. Es muy importante ensamblar el filtro a la caja sin dejar ninguna fuga o gotera. Cualquier fuga permitirá que la suciedad aspirada sea soplada hacia fuera del puerto de soplado y de vuelta en el aire.
2. Cuando use el aspiradora para aspirar polvo fino, será necesario vaciar el tanque para polvo y limpiar o reemplazar el filtro en intervalos más frecuentes para mantener el máximo rendimiento de la aspiradora.

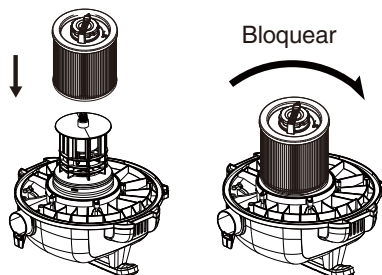
AVISO:

Se necesita el filtro seco para recoger el material seco. Si usa la aspiradora para aspirar polvo cuando el filtro está mojado, este se obstruirá rápidamente y la limpieza será muy difícil. Si el filtro se moja, reemplácelo antes de continuar aspirando.

INSTALACIÓN DEL FILTRO DE CARTUCHO

El filtro de cartucho puede utilizarse para la aspiración de materiales líquidos o sólidos; las instalación es la misma para ambos.

1. Con la cubierta del depósito en posición invertida, deslice el filtro de cartucho hacia abajo sobre el alojamiento de la tapa, empujando hasta que el filtro se selle contra la cubierta.
2. Gire la perilla del retenedor del filtro en sentido horario para apretar, bloqueando el filtro en su lugar.
3. Para quitar el filtro para la limpieza, gire la perilla del filtro para la limpieza, gire la perilla del filtro en sentido contrario a las agujas del reloj hasta sentir la señal táctil y auditiva y asegúrese de que la flecha del botón se alinee con el icono "Desbloquear" de la jaula y deslice el cartucho de la jaula. then grasp the step of knob tightly with fingers to pull the cartridge filter out off the cage.
4. Para limpiar el filtro de cartucho, retire la suciedad sacudiendo, cepillando o enjuagandolo(desde el interior hacia fuera del filtro) con agua, deje que se seque por completo(aproximadamente 24 horas) antes de volver a instalarlo.

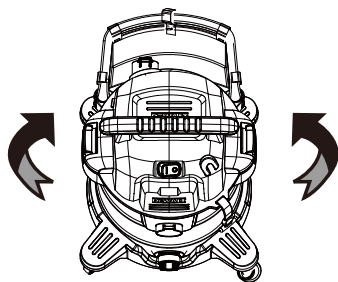
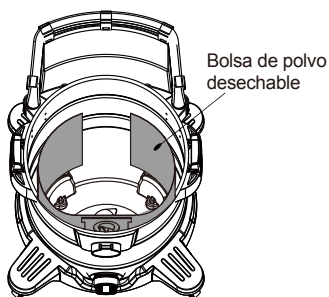


AVISO:

Si el filtro ha sido utilizado para aspiración de líquidos, se deberá limpiar y dejar secar antes de utilizarlo para la aspiración de sólidos.

INSTALACIÓN DE LA BOLSA DE FILTRO DESECHABLE

1. Deslice la abertura del collar de cartón firmemente sobre el deflector del puerto de aspiración, hasta que se detenga contra la pared del deflector.
2. Coloque la bolsa de modo que se distribuya en todo el interior del tanque.
3. Vuelva a colocar y asegurar el cabezal en el tanque.



FUNCIONAMIENTO DE ASPIRACIÓN DE LÍQUIDOS

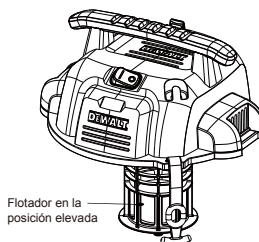
El filtro de cartucho debe colocarse sobre la caja del filtro mientras se aspira líquidos. Al recoger varios tanques llenos de líquido, el filtro de cartucho se saturará y puede aparecer neblina en el aire de escape. En este momento, se debe secar o reemplazar el filtro de cartucho para eliminar el empañamiento y el posible goteo de líquido alrededor de la tapa. Después de completar un trabajo de recogida de líquidos, levante la manguera para drenar el exceso de líquido en el tanque antes de apagarlo. El interior del tanque debe limpiarse periódicamente.

1. Siempre desconecte el enchufe del receptáculo de pared antes de quitar la cubierta del tanque. Coloque la cubierta del tanque al revés. Quite el manguito deslizando hacia arriba y fuera del ajustador interno de la bolsa.
2. Sacuda el polvo sobrante del manguito con un rápido movimiento de arriba a abajo.

AVISO: LOS ACCESORIOS PARA LA ASPIRACIÓN DE SÓLIDOS DEBEN LAVARSE PERIÓDICAMENTE, ESPECIALMENTE DESPUÉS DE RECOGER LIQUIDOS HÚMEDOS, PEGAJOSOS O DERRAMES. ESTO PUEDE IR ACOMPAÑADO DE UNA SOLUCIÓN TIBIA DE AGUA Y JABÓN. DESPUÉS DE COMPLETAR LA ASPIRACIÓN DE LÍQUIDOS, LEVANTE LA MANGUERA SOBRE LA ASPIRADORA PARA PERMITIR QUE CUALQUIER LÍQUIDO EN LA MANGUERA DRENE HACIA EL TANQUE ANTES DE APAGARLA. EL INTERIOR DEL TANQUE DEBE LIMPIARSE PERIÓDICAMENTE.

3. Esta aspiradora para seco/ mojado está equipada con un mecanismo de flotador que se eleva automáticamente para cortar el flujo de aire cuando el líquido en el tanque alcanza un nivel predeterminado. Cuando ocurra esto, apague la aspiradora, desenchufe el cable de alimentación y vacíe el tanque para polvo. Sabrá que el flotador ha cerrado el flujo de aire y que la succión se detiene cuando el ruido del motor se vuelve más agudo debido a la disminución de la velocidad del motor. La capacidad de líquido puede variar según la cantidad que se aspire.

IMPORTANTE: Para reducir el riesgo de daños a la aspiradora, no haga funcionar el motor con el flotador en la posición elevada.



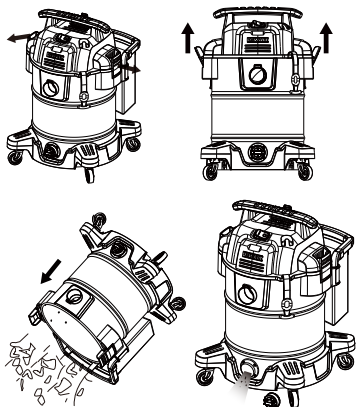
AVISO: SI SE ACCIDENTALMENTE SE TIRA, EL VACÍO PODRÍA CERRAR LA SUCCIÓN. SI ESTO OCURRE, COLOQUE VAC EN POSICIÓN ACTUAL Y DESLIGUE EL INTERRUPTOR. ESTA VOLUNTAD PERMITIRÁ AL FLOTADOR VOLVER A SU POSICIÓN NORMAL, Y USTED PODRÁ CONTINUAR LA OPERACIÓN.

VACIADO DEL TANQUE

⚠️ ADVERTENCIA

Para reducir el riesgo de lesiones debidas a arranques accidentales, desenchufe el cable de alimentación antes de vaciar el tanque para polvo.

1. Retire el ensamble del cabezal de alimentación de la aspiradora para seco/mojado jalando hacia fuera los sujetadores de la tapa ubicados a cada lado de la aspiradora. Retire el ensamble del cabezal de alimentación.
2. Vacíe el contenido del tanque en el contenedor de residuos adecuado.
3. Los líquidos se pueden vaciar a través del drenaje del tanque. Para vaciar, apague la unidad y retire el enchufe del tomacorriente. Retire la tapa de drenaje y deposite los residuos líquidos en un drenaje adecuado. Una vez que el tanque esté vacío, vuelva a colocar la tapa de drenaje en su posición original. Para continuar utilizándolo, enchufe el cable en el tomacorriente de pared y encienda la unidad.



FUNCIONAMIENTO DE SOPLADO

⚠️ ADVERTENCIA

Siempre use gafas de seguridad que cumplan con ANSI Z87.1 (o en Canadá CSA Z94.3) cuando utilice como soplador.

⚠️ ADVERTENCIA

Para evitar lesiones a los transeúntes, manténgalos alejados de la suciedad soplada.

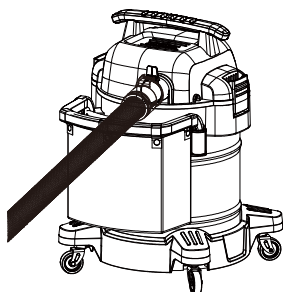
⚠️ PRECAUCIÓN

Use una mascarilla antipolvo si el soplado provoca polvo que pueda ser inhalado.

⚠️ PRECAUCIÓN

Para reducir el riesgo de pérdida auditiva, use protectores para los oídos cuando use la aspiradora/soplador por varias horas en un entorno bullicioso. El aspiradora cuenta con una característica de soplado. Tiene la capacidad de soplar aserrín y otros residuos. Puede usarse para soplar polvo y suciedad de garajes o de patios y entradas de garaje. Siga los siguientes pasos para usar el aspiradora como soplador.

1. Ubique el puerto de soplado en la aspiradora.
2. Inserte un extremo de la manguera de 1-7/8 in. x 7 ft. (4,8 cm x 2,1 m) en el puerto de soplado.
3. Encienda la aspiradora.



CUIDADO Y MANTENIMIENTO REEMPLAZO DEL FILTRO

⚠️ ADVERTENCIA

Para reducir el riesgo de lesiones debido a arranques accidentales, desenchufe el cable de alimentación antes de cambiar o limpiar el filtro. Debe limpiar el filtro a menudo para mantener el máximo rendimiento de la aspiradora.

⚠️ ADVERTENCIA

No retire la caja del filtro ni el flotador. El flotador evita que el agua ingrese al propulsor y que dañe el motor. La caja evita que los dedos toquen el propulsor en movimiento.

IMPORTANTE:

Para evitar daños en la rueda del ventilador y en el motor, vuelva a instalar siempre el filtro de Clean Connect™ antes de usar la aspiradora para pastillas secas y pastillas mojadas.

IMPORTANTE:

Después de limpiar, revise si el filtro tiene desgarraduras u orificios pequeños. No use la aspiradora si un filtro tiene orificios o desgarraduras. Incluso un pequeño orificio puede causar que salga mucho polvo de aspiradora. Reemplácelo inmediatamente.

AVISO:

Antes de instalar el filtro en la aspiradora, limpie el área de la tapa para que el filtro se cierre contra la tapa y evite que las partículas pequeñas salgan de la bolsa del filtro. Si el filtro está limpio y no está dañado, reemplácelo en la jaula del filtro. Si no puede reutilizarse, coloque un nuevo filtro sobre la jaula del filtro.

AVISO:

Limpie el filtro en un área abierta. La limpieza se debe efectuar en exteriores y no en áreas habitadas.

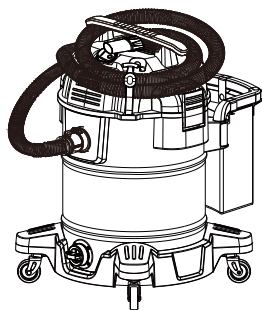
LIMPIEZA

Para mantener el aspiradora para seco/ mojado con una apariencia perfecta, limpie la superficie exterior con un paño humedecido con agua tibia y jabón suave. Para limpiar el tanque:

1. Retire los desechos.
2. Lave el tanque completamente con agua tibia y jabón suave.
3. Limpie con un paño seco.

ALMACENAJE

Antes de guardar la aspiradora, se debe vaciar y limpiar el depósito de polvo. El cable debe envolverse y colgarse en la unidad y los accesorios deben guardarse en la bolsa de accesorios para que estén fácilmente disponibles. La aspiradora debe guardarse en el interior.



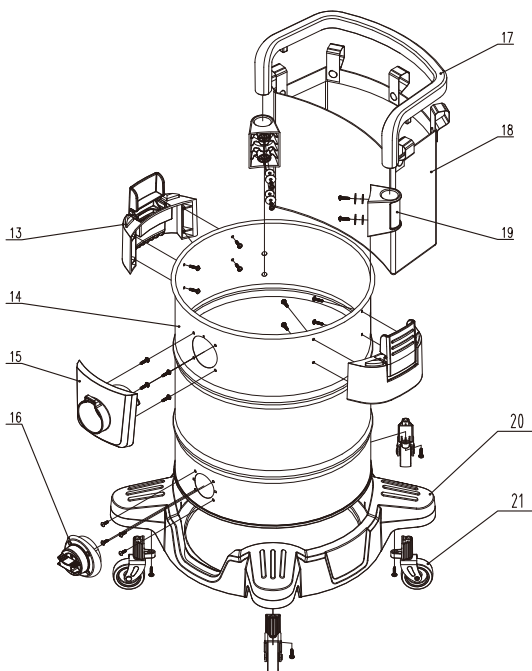
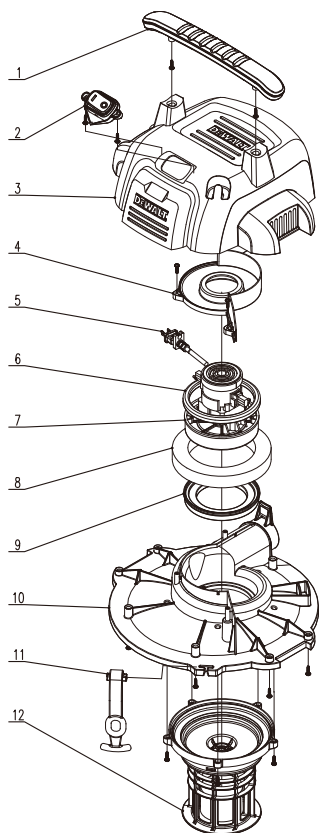
SOLUCIÓN DE PROBLEMAS

⚠ ADVERTENCIA

Los problemas menores se pueden arreglar generalmente sin llamar al Servicio al Cliente.

PROBLEMA	SOLUCIÓN
El motor no funciona	<p>Compruebe el cable de alimentación, los enchufes y la toma de corriente.</p> <p>Asegúrese de que el interruptor de encendido/ apagado esté en la posición ON posición (I)</p>
La capacidad de succión disminuye	<p>Quitar los bloqueos en la boquilla de succión, Tubo de aspiración, manguera de succión o filtros.</p> <p>Reemplace la bolsa de papel o de lana.</p> <p>Compruebe la correcta instalación de los filtros.</p> <p>Limpie o reemplace los filtros.</p> <p>Vacíe el recipiente, consulte Vaciar el tanque en las instrucciones de uso.</p>
El vacío deja de funcionar	<p>Se ha disparado la sobrecarga térmica:</p> <ol style="list-style-type: none"> 1. Apague la aspiradora y desconéctela Aspirador de la fuente de energía. 2. Vacíe el recipiente, si es necesario. 3. Deje que la unidad se enfríe. 4. Enchufe el cable de alimentación en un Salida y encienda el interruptor de encendido / apagado posición(1) Probar. Si el vacío no <p>Reiniciar llamada 1-888-899-0146</p>
El polvo sale mientras se aspira	<p>Compruebe la correcta instalación de los filtros.</p> <p>Asegúrese de que los filtros no estén dañados; Reemplazar si es necesario.</p> <p>Asegúrese de que los sellos del filtro estén en su lugar y estén seguros.</p>

EXPLODED VIEW / PARTS LIST



Artículo	Descripción	Cantidad
1	Mango de transporte	1
2	Botón Interruptor	1
3	Cubierta superior	1
4	Deflector térmico	1
5	Cable de alimentación	1
6	Anillo de sellado del motor	1
7	Motor	1
8	Esponja	1
9	Soporte motor anillo de cierre	1
10	Tapa	1

Artículo	Descripción	Cantidad
11	Gancho para cable eléctrico	1
12	Caja del filtro	1
13	Segura de la tapa	2
14	Depósito de polvo	1
15	De vacío del puerto	1
16	Puerto de drenaje	1
17	Bolsa de accesorios con soporte	1
18	Bolsa de accesorios	1
19	Soporte para portabolas	2
20	Soporte de rueda	1
21	Rueda de goma reforzada	4

GARANTÍA

Alton Industry Ltd. Group

Garantía Limita de 3 años

Esta garantía cubre cualquier defecto en materiales o habilidad del producto incluido.

Alton el Grupo de Industrias reparará o sustituirá cualquier material defectuoso debido a la artesanía del producto. Esta garantía no cubre ningún problema causado por el mal uso, el abuso, accidentes o actos del dios, como inundaciones o huracanes. También daños y perjuicios consiguientes y secundarios no son cubiertos conforme a esta garantía. La cobertura se termina si usted vende o de otra manera transfiere la propiedad.

Si usted siente que usted tiene un producto defectuoso por favor envíe el producto atrás, el franqueo pagado con una copia de su recibo para dirigirse debajo. Por favor llámese 1-888-899-0146 para instrucciones antes del devolver este artículo a la tienda o el enviar atrás:

Alton Industry Ltd. Group

643 Innovation Dr.

West Chicago, IL 60185

Inspeccionaremos el producto y nos pondremos en contacto con usted dentro de 72 horas para darle los resultados de nuestra inspección. Reservamos el derecho de reparar o sustituir el producto en nuestra discreción. Sin embargo, podemos sustituir el producto por uno de similar, pero no rasgos exactos.

Partes y Información de Servicio disponible llamada Alton Industries at 1-888-899-0146.

Esta garantía le da derechos específicos legales, y usted puede tener también otros derechos que varían de estado al estado.

DÉFINITIONS : SYMBOLES ET TERMES D'ALARME SÉCURITÉ

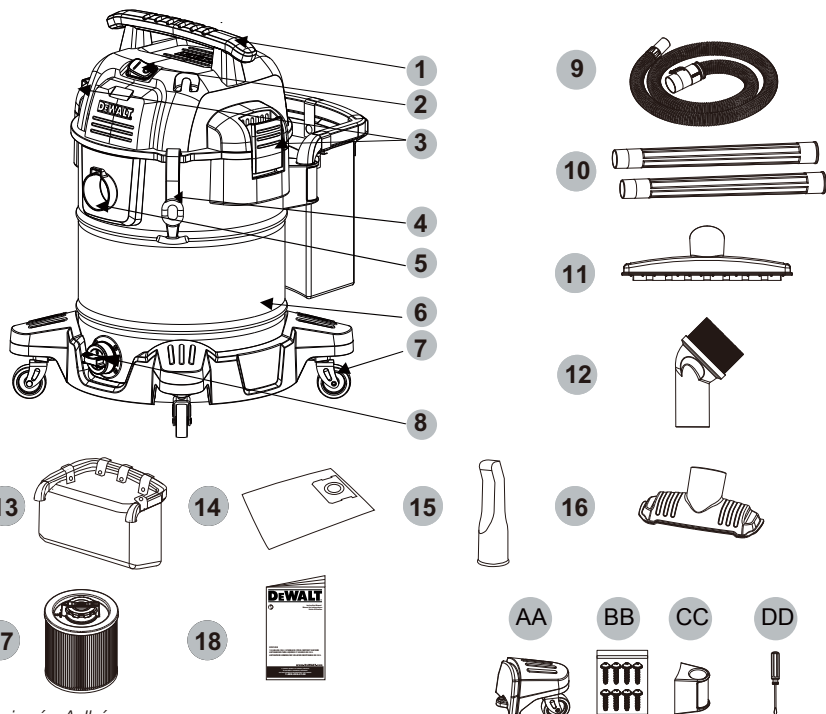
Ces guides d'utilisation utilisent les symboles et termes d'alarmes sécurité suivants pour vous prévenir de situations dangereuses et de risques de dommages corporels ou matériels.

⚠ DANGER: indique une situation dangereuse imminente qui, si elle n'est pas évitée, **entraînera la mort ou des blessures graves.**

⚠ AVERTISSEMENT: indique une situation potentiellement dangereuse qui, si elle n'est pas évitée, **pourrait entraîner la mort ou des blessures graves.**

⚠ ATTENTION: indique une situation potentiellement dangereuse qui, si elle n'est pas évitée, **pourrait entraîner des blessures légères ou modérées.**

AVIS : indique une pratique ne posant **aucun risque de dommages corporels** mais qui par contre, si rien n'est fait pour l'éviter, **pourrait poser des risques de dommages matériels.**



1 Poignée Adhérence

2 Interrupteur

3 Couvercle loquat

4 Emballage de tuyaux

5 Aspirateur port

6 Bac à poussière

7 Roulettes caoutchoutées robustes

8 Port de drainage

9 Tuyau durable 1-7/8" (DXVA19-2500)

10 Extension tube (DXVA19-1200A)

11 Buse de sol (DXVA19-1900D)

12 Sommet de coin (DXVA19-2400)

13 Stockage d'accessoires (DXVA19-5256)

14 Sac à poussière jetable (DXVA19-4101)

15 Buse de voiture (DXVA19-4333)

16 Buse utilitaire (DXVA19-1300)

17 Filtre Clean Connect™ (DXVC6910)

18 Manuel d'instruction

AA Roulette

BB Vis autotaraudeuse

CC Support

DD Tournevis phillips (non inclus)

⚠ AVERTISSEMENT: lire tous les avertissements de sécurité et toutes les directives. Le non-respect des avertissements et des directives pourrait se solder par un choc électrique, un incendie et/ou une blessure grave.

⚠ AVERTISSEMENT: afin de réduire le risque de blessures, lire le mode d'emploi de l'outil.

Pour toute question ou remarque au sujet de cet outil ou de tout autre outil DEWALT, composez le numéro sans frais : 1-888-899-0146.

CONSIGNES IMPORTANTES DE SÉCURITÉ

⚠ AVERTISSEMENT: Lors de l'utilisation de tout appareil électrique, des précautions de base doivent être suivies pour réduire tout risque d'incendie, de chocs électriques ou de dommages corporels, y compris les suivantes:

AVANT D'UTILISER CET APPAREIL, LIRE ET SUIVRE TOUTES LES CONSIGNES

⚠ AVERTISSEMENT: pour réduire tout risque de chocs électriques, ne pas l'exposer à la pluie. Entreposer à l'intérieur.

- Ne pas laisser l'appareil sans surveillance lorsqu'il est branché sur le secteur. Le débrancher de la prise en d'utilisation, et avant tout entretien.
- Ne pas laisser l'appareil être utilisé comme un jouet. Être extrêmement vigilant lorsque l'appareil est utilisé par des enfants ou à leur proximité.
- Utiliser l'appareil SEULEMENT comme décrit dans ce manuel. Utiliser exclusivement des accessoires recommandés par DEWALT.
- Ne pas utiliser cet appareil avec un cordon ou une endommagé. Si l'appareil ne fonctionne pas correctement, ou s'il est tombé, a été endommagé, laissé dehors, ou est tombé dans l'eau, le rapporter dans un centre de réparation.
- Ne pas tirer sur cet appareil ou le transporter par son cordon, ne pas utiliser son cordon comme poignée, le coincer dans une porte, ou le tirer sur des bords tranchants ou des coins. Ne pas passer sur le cordon avec l'appareil. Protéger le cordon de la chaleur.
- Ne pas le débrancher en tirant sur son cordon. Pour le débrancher, tirer sur la fiche et non pas sur le cordon.
- Ne pas manipuler la fiche ou l'appareil avec les mains humides.
- Ne disposer aucun objet dans les ouvertures de l'appareil. Ne pas utiliser l'appareil si ses ouvertures sont bloquées. Les maintenir propres et nettes de tout cheveu, poussière, peluche, ou toute autre chose pouvant en réduire la circulation d'air.
- Maintenir les cheveux, les vêtements amples, les doigts, et toute autre partie du corps éloignés des ouvertures et des pièces mobiles.
- Arrêter tout bouton de commande avant de débrancher l'appareil.
- Rester extrêmement vigilant lors du nettoyage d'escaliers.
- Ne pas utiliser l'appareil pour aspirer des liquides inflammables ou combustibles, tel l'essence, ou l'utiliser dans des lieux abritant des liquid inflammables ou combustibles.

- Les chocs statiques sont possibles dans les zones sèches ou lorsque l'humidité relative de l'air est faible. Ceci n'est que temporaire et n'affecte pas l'utilisation de l'aspirateur. Pour réduire la fréquence des chocs statiques, ajoutez de l'humidité à l'air avec une console installée humidifier ou utiliser un tuyau antistatique (standard sur certains modèles).

- Pour éviter toute combustion spontanée, vider la cuve après chaque utilisation.

CONSERVER CES CONSIGNES RÈGLES DE SÉCURITÉ ADDITIONNELLES

⚠ AVERTISSEMENT

- Ne pas aspirer des objets incandescents, ou se consumant, comme les cigarettes, les allumettes ou les cendres chaudes.
- Ne pas utiliser l'appareil pour aspirer des matériaux explosifs, comme le charbon, le grain, ou tout autre matériau combustible à fine texture.
- Ne pas l'utiliser pour aspirer des produits dangereux, toxiques ou carcinogènes, comme l'amiante ou les pesticides.
- Ne jamais aspirer des liquides explosifs (ex.: essence, diesel, mazout domestique, diluant, etc.), des acides ou des solvants.
- Ne pas utiliser l'aspirateur sans ses filtres, hormis comme indiqué dans la section Aspiration des déchets humides.
- Certains bois contiennent des conservateurs pouvant être toxiques. Lorsqu'on travaille avec ces matériaux, protéger la peau de tout contact et les poumons de toute inhalation. Se renseigner auprès du fournisseur du matériau pour obtenir toutes les directives de sécurité disponibles, et les suivre.
- Ne pas utiliser cet aspirateur comme escabeau.
- Ne pas mettre des objets lourds sur l'aspirateur.
- Pour la sécurité de l'utilisateur, utiliser une rallonge de calibre adéquat (AWG, American Wire Gauge [calibrage américain normalisé des fils électriques]). Plus le calibre est petit, et plus sa capacité est grande. Un calibre 16, par exemple, a plus de capacité qu'un calibre 18. L'usage d'une rallonge de calibre insuffisant causera une chute de tension qui entraînera perte de puissance et surchauffe. Si plus d'une rallonge est utilisée pour obtenir une certaine longueur, s'assurer que chaque rallonge présente au moins le calibre de fil minimum. Le tableau ci-dessous illustre le calibre à utiliser. En cas de doute, utiliser le calibre suivant. Plus le calibre est petit, plus la rallonge peut

FRANÇAIS

- Si l'utilisation d'une rallonge à l'extérieur est inévitable, elle doit comporter, suivant le type de cordon, les suffixes W-A ou W. Par exemple, SJTW-A indique que celle-ci peut être utilisée dehors.

Calibres minimaux des rallonges					
Intensité (en ampères)	volts		Longueur totale de cordon en mètres (pieds)		
	120V	7,6 (25)	15,2 (50)	30,5 (100)	45,7 (150)
	240V	15,2 (50)	30,5 (100)	61,0 (200)	91,4 (300)
Supérieur à	Inférieur à	AWG			
0	6	18	16	16	14
6	10	18	16	14	12
10	12	16	16	14	12
12	16	14	12	Non recommandé	

⚠ AVERTISSEMENT : Ce produit ne doit PAS être utilisé pour le filtrage d'agents pathogènes, par exemple COVID-19. Suivez toutes les directives locales, régionales et fédérales sur les pratiques générales de nettoyage.

⚠ AVERTISSEMENT

Ce produit peut vous exposer à des produits chimiques, y compris le plomb, que l'État de la Californie reconnaît comme pouvant causer le cancer, des anomalies congénitales ou d'autres problèmes liés à la reproduction. Pour plus d'informations, rendez-vous sur www.P65Warnings.ca.gov.

⚠ AVERTISSEMENT : Pendant l'utilisation, porter systématiquement une protection auditive individuelle adéquate homologuée ANSI S12.6 (S3.19). Sous certaines conditions et suivant la longueur d'utilisation, le bruit émanant de ce produit pourrait contribuer à une perte de l'acuité auditive.

⚠ AVERTISSEMENT : PORTER Utiliser des lunettes de sécurité. Les lunettes de jour ne sont PAS des lunettes de sécurité. Utiliser aussi un écran facial ou un masque antipoussières si la découpe doit en produire beaucoup. PORTER SYSTÉMATIQUEMENT UN ÉQUIPEMENT DE SÉCURITÉ HOMOLOGUÉ:


- Protection oculaire ANSI Z87.1 (CAN/GSA Z94.3);
- Protection auditive ANSI S12.6 (S3.19);
- Protection des voies respiratoires NIOSH/OSHA/MSHA.

Pour réduire toute exposition à ces produits: utiliser le matériel de sécurité approprié, tel un masque anti-poussières spécialement conçu pour filtrer les particules microscopiques.

⚠ AVERTISSEMENT : ENTRETIEN D'UN ASPIRATEUR POUR MATIÈRES SÈCHES ET LIQUIDES À DOUBLE ISOLATION.

Un aspirateur pour matières sèches et liquides à double isolation comporte deux systèmes d'isolation plutôt qu'un système de mise à

la terre. Un appareil à double isolation n'est pas mis à la terre et ne doit pas l'être.

L'entretien d'un aspirateur pour matières sèches et liquides à double isolation exige une extrême prudence et une connaissance du système, et ne doit être effectué que par un technicien qualifié. Les pièces de rechange d'un appareil à double isolation doivent être identiques aux pièces d'origine de ce produit. Votre aspirateur pour matières sèches et liquides porte la mention « DOUBLE INSULATED » (double isolation), ainsi que le symbole  du carré dans le carré.

IMPORTANTES :

Si le cordon d'alimentation est endommagé, il doit être remplacé par le fabricant, par un de ses agents ou par une personne qualifiée afin d'écarter tout danger.

IMPORTANTES :

Si le cordon d'alimentation est endommagé, il doit être remplacé par le fabricant, par un de ses agents ou par une personne qualifiée afin d'écarter tout danger. Débranchez toujours cet appareil avant d'en effectuer l'entretien. Avant d'utiliser l'appareil, assurez-vous que la fréquence et que la tension indiquée sur l'étiquette correspondent à la tension électrique de la source d'alimentation principale. Les caractéristiques et les détails relatifs au produit sont modifiables sans préavis. Les accessoires illustrés dans le présent document peuvent varier d'un modèle à l'autre.

MESURES DE SÉCURITÉ IMPORTANTES

Le symbole apposé sur le produit et son emballage indique qu'il ne doit pas être jeté avec les déchets ménagers. Vous devez plutôt l'acheminer à un centre de recyclage des composants électriques et électroniques. Vous évitez ainsi les incidences négatives sur l'environnement et sur la santé qu'occasionnerait la présence de ce produit dans les décharges publiques. Pour en savoir davantage sur le recyclage, veuillez communiquer avec votre administration municipale, votre service d'élimination des déchets ou le point de vente où vous vous êtes procuré le produit.



AVERTISSEMENT

- LIRE TOUTES LES INSTRUCTIONS AVANT D'UTILISER CET APPAREIL. NE PAS CONDUIRE L'APPAREIL QUAND IL EST FIXE. DÉBRANCHER AVANT DE NETTOYER ET D'ENTRETIEN. UTILISEZ A L'INTÉRIEUR. NE PAS UTILISER AVEC UN CORDON OU UNE FICHE ENDOMMAGÉE. GARDER LE CORDON DES SURFACES CHAUFFÉES. NE PAS UTILISER POUR PICK UP INFLAMMABLES, LIQUIDES COMBUSTIBLES TELS QUE GASOLINE, OU UTILISER DANS LES ZONES DANS LESQUELLES ILS PEUVENT ÊTRE PRÉSENTÉS. NE PAS UTILISER PICKING QUELQUE QUOI EST BRÛLANT OU FUMEUR, TELS QUE CIGARETTES, MATCHES OU CISLES CHAUDES. NE PAS VACUUM TOXIQUE, CARCINOGENIQUE, COMBUSTIBLE OU AUTRE DANGEREUX MATÉRIAUX TELS QUE ASBESTOS, PLOMB, PESTICIDES OU AUTRES MATÉRIAUX DE DANGER POUR LA SANTÉ. DOUBLE ISOLATION - QUAND L'ENTRETIEN, UTILISE SEULEMENT IDENTIQUE PIÈCES DE REMPLACEMENT. POUR L'UTILISATION DU MÉNAGE SEULEMENT. LORS DE L'ENTRETIEN, UTILISEZ UNIQUEMENT DES PIÈCES DE RECHANGE IDENTIQUES. NE PAS UTILISER COMME TABOURET DE MARCHÉ.

CARACTÉRISTIQUES DU PRODUIT

Modèle	DXV10SB
Capacité du réservoir	38 Litre
Puissance	120V / 60Hz / 10A
Motor	Monophasé
Tuyau	4,8 cm x 2,1 m
Cordon d'alimentation	SJTW18AWG / 6m largo

CONSERVER CES CONSIGNES MODE D'EMPLOI

DÉBALLAGE ET CONFIGURATION

1. Tirez les loquets du couvercle dans un mouvement vers l'extérieur, retirez la tête motrice et certains accessoires qui peuvent avoir été expédiés dans le réservoir.
2. Fixez les accessoires en suivant les instructions de ce manuel.
3. Avant de remplacer la tête motrice, reportez-vous à ce manuel pour vous assurer que le filtre approprié est installé pour l'opération de nettoyage.

4. Remettez la tête d'alimentation en place et appliquez une pression avec le pouce sur chaque loquet jusqu'à ce qu'il s'enclenche bien en place. Assurez-vous que tous les loquets du couvercle sont bien serrés.
5. Insérez l'extrémité du tuyau dans l'entrée du réservoir.
6. Fixez les rallonges à l'extrémité du tuyau. Appliquez une légère pression jusqu'à ce que le raccord soit bien serré.
7. Fixez l'un des accessoires de nettoyage (selon les besoins de nettoyage) aux rallonges. Tournez légèrement pour serrer la connexion. Branchez le cordon dans la prise murale. L'aspirateur est prêt à l'emploi.
9. Pour réduire le risque de blessure par démarrage accidentel, coupez toujours l'aspirateur et débranchez la fiche d'alimentation de la prise murale avant d'installer une pièce ou un accessoire de nettoyage.

AVERTISSEMENT

Ne modifiez en aucun cas la fiche. Si la fiche ne rentre pas complètement dans la prise, inversez la fiche. Si elle ne rentre toujours pas, contactez un électricien qualifié pour installer la prise appropriée.

AVERTISSEMENT

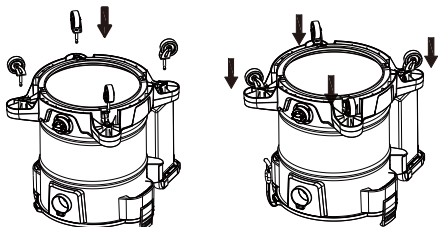
Pour réduire le risque d'incendie ou d'explosion, n'utilisez pas cet aspirateur en présence de gaz, de vapeurs ou de poussières inflammables. Voici quelques exemples de gaz et de vapeurs inflammables : l'essence à briquet, les nettoyants de type solvants, les peintures à l'huile, l'essence, l'alcool ou les aérosols. Voici quelques exemples de poussières inflammables : le charbon, le magnésium, l'aluminium, les blocs de poudre ou la poudre noire. N'aspirez ni liquides inflammables, ni combustibles, ni cendres chaudes. N'utilisez pas cet aspirateur pour pulvériser des liquides inflammables ou combustibles. Afin de réduire les risques pour la santé associés aux vapeurs et aux poussières, n'aspirez pas de matériaux toxiques.

AVERTISSEMENT

Tout aspirateur pour matières sèches et liquides peut projeter des corps étrangers, présentant ainsi des risques de blessure aux yeux. Mettez toujours des lunettes de sécurité conformes à la norme ANSI Z87.1 (ou, au Canada, à la norme CSA Z94.3) avant d'utiliser l'appareil.

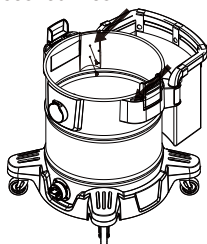
ENSEMBLE DE SUPPORT / ACCESSOIRE ROULETTE

1. Inversez le réservoir à poussière, prenez la roulette pour aligner le fond du réservoir. Fixez avec les vis fournies.
2. Remettez le réservoir à poussière à la verticale.



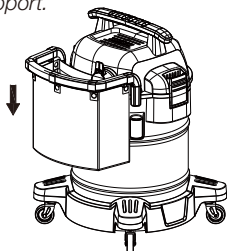
ASSEMBLAGE DU SUPPORT DE SUPPORT DE BAGUES ACCESSOIRES

Fixez 2 supports de support de sacs d'accessoires au réservoir avec 4 vis autotaraudeuses fournies.



ASSEMBLAGE DU PORTE-BAG DE ACCESSOIRES

Placez le porte-sacs d'accessoires dans le trou du support.



⚠ AVERTISSEMENT

Pour réduire le risque d'incendie ou d'explosion, n'utilisez pas cet aspirateur en présence de gaz, de vapeurs ou de poussières inflammables. Voici quelques exemples de gaz et de vapeurs inflammables : l'essence à briquet, les nettoyants de type solvants, les peintures à l'huile, l'essence, l'alcool ou les aérosols. Voici quelques exemples de poussières inflammables : le charbon, le magnésium, l'aluminium, les blocs de poudre ou

la poudre noire. N'aspirez ni poussières, ni liquides inflammables, ni combustibles, ni cendres chaudes. N'utilisez pas cet aspirateur pour pulvériser des liquides inflammables ou combustibles. Afin de réduire les risques pour la santé associés aux vapeurs et aux poussières, n'aspirez pas de matériaux toxiques.

⚠ AVERTISSEMENT

Tout aspirateur pour matières sèches et liquides peut projeter des corps étrangers, présentant ainsi des risques de blessure aux yeux. Mettez toujours des lunettes de sécurité conformes à la norme ANSI Z87.1 (ou, au Canada, à la norme CSA Z94.3) avant d'utiliser l'appareil.

⚠ MISE EN GARDE

Afin de réduire les risques de dommage auditif, portez des protecteurs d'oreille lorsque vous utilisez l'aspirateur pendant de longues périodes ou dans un endroit bruyant. L'appareil est prêt à aspirer ou à souffler des matières sèches. Après avoir branché le cordon d'alimentation dans la prise murale, allumez l'appareil en réglant l'interrupteur à la position « I ». Le « O » est la position « OFF » (arrêt) et le « I » est la position « ON » (marche).



MARCHE



ARRÊT

ASPIRATION DES MATIÈRES SÈCHES

1. Le manchon en mousse et le filter réutilisable sec peuvent être utilisés pour le ramassage des poussières et des matières sèches; vous devez installer ces deux éléments pour assurer une filtration appropriée. Si l'aspirateur a été utilisé pour ramasser les liquides, le manchon doit être nettoyé et séché avant de l'installer pour le ramassage des poussières. Le filtre doit toujours être dans la position appropriée afin de réduire les risques de fuite et d'endommager l'aspirateur. Assurez-vous que le filtre couvre entièrement la cage du filtre et que la bague de serrage est aussi près du couvercle que possible. Assurez-vous qu'il n'y a aucun espace entre le filtre et le couvercle. Il est très important d'assembler le filtre et la cage de façon à ce qu'il n'y ait aucune fuite ou fissure possibles. Toute fuite permettrait aux débris ramassés d'être relâchés dans l'air environnant par l'orifice de soufflage.

2. Lorsque vous utiliserez votre aspirateur pour ramasser de la poussière très fine, il sera nécessaire de vider le réservoir à poussière et de nettoyer ou de remplacer le filtre fréquemment afin d'assurer le rendement optimal de l'aspirateur.

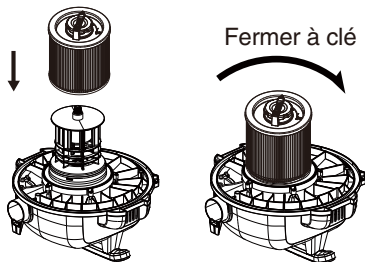
REMARQUER:

Un filtre sec est nécessaire pour aspirer des matières sèches. Si vous utilisez votre aspirateur pour ramasser de la poussière alors que le filtre est mouillé, le filtre s'obstruera rapidement et sera très difficile à nettoyer. Si le filtre devient mouillé pendant l'utilisation de l'aspirateur, remplacez-le avant de continuer à ramasser des matières sèches.

INSTALLATION DU FILTRE À CARTOUCHE

Le filtre à cartouche peut être utilisé tant pour le ramassage des liquides que pour le ramassage des poussières! l'installation est identique pour les deux usages.

1. Tandis que le couvercle de la cuve est à l'envers, faire glisser le filtre à cartouche vers le bas, sur la cage du couvercle, en poussant jusqu'à ce que le filtre scelle bien le couvercle.
2. Place le dispositif de retenue du filtre sur le dessus du filtre à cartouche, saisir le couvercle de la cuve avec une main, tourner la poignée située sur le dispositif de retenue du filtre dans le sens des aiguilles d'une montre pour serrer et bloquer le filtre en place.
3. Pour retirer le filtre aux fins de nettoyage, saisir la tête et la tourner dans le sens inverse des aiguilles d'une montre pour la desserrer et la retirer; dégager le filtre à cartouche de la cage du couvercle.
4. Pour nettoyer le filtre à cartouche, le secouer ou le brosser pour enlever l'excès de saleté ou le rincer (de

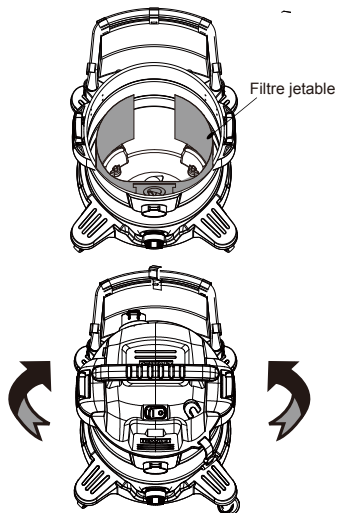


⚠ MISE EN GARDE

Si le filtre a été utilisé pour le ramassage humide, il doit être nettoyé et Séché avant d'utiliser pour le ramassage à sec.

INSTALLATION DU FILTRE JETABLE

1. Retirez l'assemblage de la tête motrice de l'aspirateur sec / humide en tirant vers l'extérieur sur les clips du couvercle situés de chaque côté de l'aspirateur. Soulevez l'assemblage de la tête motrice.
2. Prenez l'anneau de carton entourant l'ouverture du filtre, et faites-le fermement glisser sur le déflecteur de l'orifice d'aspiration, jusqu'à ce que la butée de ce déflecteur l'arrête.
3. Placez le filtre de façon à ce qu'il soit bien distribué à l'intérieur du réservoir.
4. Remplacez et fixez la partie supérieure de l'aspirateur sur le réservoir.



RAMASSAGE DE DÉTRITUS HUMIDES

Le filtre à cartouche doit être positionné sur la cage du filtre lors de l'aspiration de liquides. Lors de la collecte de plusieurs réservoirs remplis de liquide, le filtre à cartouche deviendra saturé et de la buée peut apparaître dans l'air d'échappement. À ce stade, le doit sécher ou remplacer le filtre à cartouche pour éliminer la buée et les gouttes éventuelles de liquide autour du couvercle. Après avoir terminé un travail de ramassage humide, soulevez le tuyau pour vidanger tout excès de liquide dans le réservoir avant de fermer. L'intérieur du réservoir doit être nettoyé périodiquement.

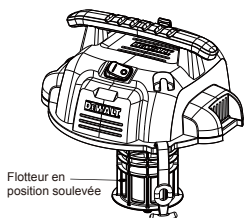
1. Prenez l'anneau de carton entourant l'ouverture du filtre, et faites-le fermement glisser sur le déflecteur de l'orifice d'aspiration, jusqu'à ce que la butée de ce déflecteur l'arrête.
2. Placez le filtre de façon à ce qu'il soit bien distribué à l'intérieur du réservoir.
Remplacez et fixez la partie supérieure de l'aspirateur sur le réservoir.

REMARQUER:

LES ACCESSOIRES SERVANT À L'ASPIRATION DES LIQUIDES DOUVENT ÊTRE LAVÉS À INTERVALLES RÉGULIERS; IL SUFFIT D'EMPLOYER UNE SOLUTION FAITE D'EAU TIÈDE ET DE SAVON. EN FIN DE NETTOYAGE, ET AVANT D'ARRÊTER L'ASPIRATEUR, RELEVEZ LE TUYAU SOUPLE PLUS HAUT QUE L'ASPIRATEUR POUR PERMETTRE AU LIQUIDE RESTANT DE COULER DANS LE RÉSERVOIR. L'INTÉRIEUR DU RÉSERVOIR DOIT ÊTRE NETTOYÉ À INTERVALLES RÉGULIERS.

3. Cet aspirateur pour matières sèches et liquides est équipé d'un mécanisme à flotteur, qui se soulève automatiquement pour bloquer le flux d'air lorsque le liquide dans le réservoir atteint un niveau prédéterminé. Lorsque cette situation se produit, éteignez l'aspirateur, débranchez le cordon d'alimentation et videz le réservoir à poussière. Vous serez prévenu du blocage du flux d'air par le flotteur, car l'aspiration cesse alors et le moteur émet un son plus aigu en raison de sa vitesse accrue. La quantité de liquide peut varier selon le taux d'aspiration.

IMPORTANT: Afin d'éviter d'endommager l'aspirateur, ne faites pas fonctionner le moteur lorsque le flotteur est soulevé.



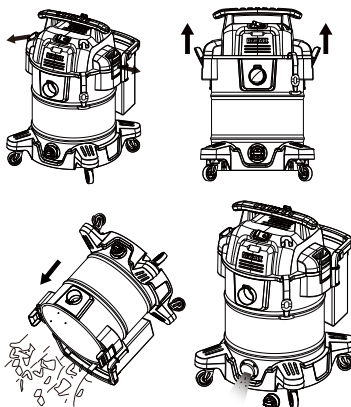
REMARQUER: SI, PAR ACCIDENT, L'APPAREIL EST RENVERSE, L'ASPIRATION PEUT EN ÊTRE INTERROMPUE. DANS CE CAS REMETTEZ L'ASPIRATEUR À L'VERTICALE ET METTIZ L'INTERRUPTEUR SUR ARRÊT. AINSI, LE FLOTTEUR RETOUVERA SA POSITION NORMALE ET VOUS POURREZ ALORS CONTINUER.

VIDER LE RÉSERVOIR

⚠ AVERTISSEMENT

Pour réduire les risques de blessures causées par une mise en marche accidentelle, débranchez le cordon d'alimentation avant de vider le réservoir à poussière.

1. Détachez la partie supérieure de l'aspirateur pour matières sèches et liquides en tirant sur les attaches du couvercle situées de chaque côté de l'appareil.
2. Retirez la partie supérieure de l'aspirateur. Videz le contenu du réservoir dans le drain.
3. Les liquides peuvent être vidés par le drain du réservoir. Pour vider l'appareil, éteignez l'appareil et retirez la fiche de la prise murale. Retirez le bouchon de vidange et déposez les résidus liquides dans un drain approprié. Une fois le réservoir vide, remettez le bouchon de vidange dans sa position d'origine. Pour continuer à l'utiliser, branchez le cordon dans la prise murale et allumez l'appareil.



OPÉRATION DE SOUFFLAGE

⚠ AVERTISSEMENT

Portez toujours des lunettes de sécurité conformes à la norme ANSI Z87.1 ou, au Canada, à la norme CSA Z94.3 lorsque vous utilisez l'aspirateur pour souffler des matières.

⚠ AVERTISSEMENT

Afin de ne pas blesser de passants, éviter de souffler des débris dans leur direction.

⚠ MISE EN GARDE

Portez un masque antipoussières si le soufflage produit de la poussière que vous êtes susceptible d'inhalier.

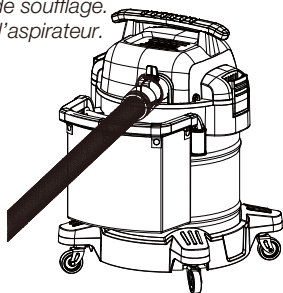
▲ MISE EN GARDE

Pour réduire le risque de perte auditive, portez des protecteurs d'oreille lorsque vous utilisez la fonction de soufflage de l'aspirateur pendant de longues périodes ou dans un endroit bruyant.

Votre aspirateur est doté d'une fonction de soufflage. Il a la capacité de souffler la sciure de bois et d'autres débris.

L'aspirateur peut être utilisé pour souffler la poussière et les débris à l'extérieur des garages, des terrasses ou des entrées. Suivez les étapes ci-dessous pour utiliser la fonction de soufflage de votre aspirateur.

1. Repérez l'orifice de soufflage sur votre aspirateur.
2. Insérez une extrémité du tuyau de 1-7/8 in. x 7 ft. (4,8 cm x 2,1 m) dans l'orifice de soufflage.
3. Allumez l'aspirateur.



ENTRETIEN ET MAINTENANCE **REPLACEMENT DU FILTRE**

▲ AVERTISSEMENT

Pour réduire les risques de blessures causées par une mise en marche accidentelle, débranchez le cordon d'alimentation avant de changer ou de nettoyer le filtre. Pour assurer le rendement optimal de l'aspirateur, nettoyez le filtre fréquemment.

▲ AVERTISSEMENT

Ne retirez pas la cage du filtre ni le flotteur. Le flotteur empêche l'eau de pénétrer dans la turbine, ce qui endommagerait le moteur. La cage permet d'éviter que vos doigts entrent en contact avec la turbine en mouvement.

IMPORTANT:

Pour éviter d'endommager la roue soufflante et le moteur, réinstallez toujours le filtre Clean Connect™ avant d'utiliser l'aspirateur pour les camions secs et les micros humides.

IMPORTANT:

Après le nettoyage, vérifiez que le filtre n'est ni déchiré ni troué. N'utilisez pas de filtre percé ou déchiré. Même un petit trou peut causer beaucoup de de la poussière pour sortir de l'aspirateur. Remplacez-le immédiatement.

REMARQUER:

Avant d'installer le filtre sur l'aspirateur, nettoyez la zone du couvercle afin que l'anneau de serrage scellera le sac contre le couvercle et s'arrêtera petit. Des particules de contourner le sac filtrant. Si le filtre est propre et non endommagé, remplacez-le sur la cage de filtre. Si elle ne peut pas être réutilisée, placez un nouveau filtre sur la cage de filtre.

REMARQUER:

Nettoyez le filtre dans une zone ouverte. Le nettoyage doit se faire en plein air et pas dans les quartiers d'habitation.

NETTOYAGE

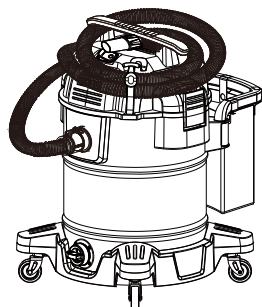
Pour garder votre aspirateur eau et poussière en bon état, nettoyez l'extérieur avec un linge imbibé d'eau tiède et un savon doux.

Pour nettoyer le réservoir :

1. Videz les débris.
2. Lavez soigneusement le réservoir avec de l'eau tiède et un savon doux.
3. Essuyez avec un linge propre.

RANGEMENT

Avant de ranger l'aspirateur, le réservoir à poussière doit être vidé et nettoyé. Le cordon doit être enroulé et accroché à l'appareil et les accessoires doivent être conservés dans le sac à accessoires afin d'être facilement accessibles. L'aspirateur doit être rangé à l'intérieur.

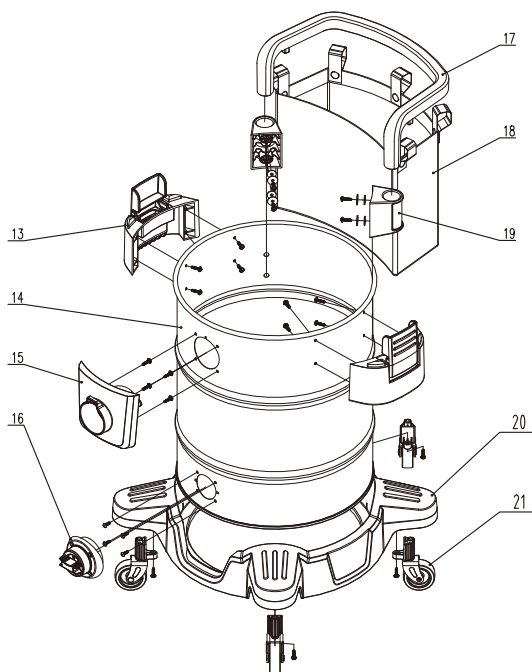
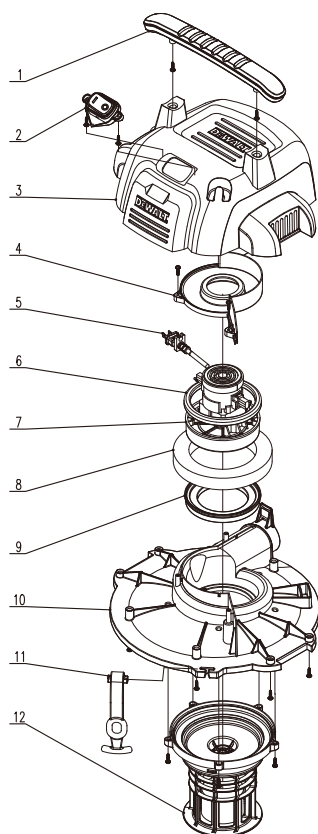


DÉPANNAGE

Les problèmes mineurs peuvent souvent être réglés sans l'aide du service à la clientèle.

PROBLÈME	MESURE CORRECTIVE
L'aspirateur ne fonctionne pas.	Vérifiez le cordon d'alimentation, les fiches et la prise. Assurez-vous que l'interrupteur marche / arrêt est Position ON (I)
L'aspiration est réduite lors du ramassage des matières liquides.	Retirez les obstructions dans la buse d'aspiration, le tube d'aspiration, le tuyau d'aspiration ou des filtres.
	Remplacez le sac à poussière en papier ou en molleton.
	Nettoyez ou remplacez le filtre.
	Vider le réservoir à poussière, voir Vider le réservoir sous Mode d'emploi.
Le vide cesse de fonctionner.	La surcharge thermique a été déclenchée: 1. Éteignez l'aspirateur et débranchez l'aspirateur de la source d'alimentation. 2. Videz la cartouche, si nécessaire. 3. Laissez l'appareil refroidir. (environ 3-5 minutes) 4. Branchez le cordon d'alimentation dans une prise appropriée et mettez l'interrupteur marche / arrêt en position ON (I) pour tester. Si l'aspirateur ne redémarre pas, composez le 1-888-899-0146.
La poussière sort en aspirant.	Vérifiez la bonne installation du filtres.
	Assurez-vous que les filtres ne sont pas endommagés; remplacer si nécessaire.
	Assurez-vous que les joints du filtre sont en place et sécurisés.

EXPLODED VIEW / PARTS LIST



Partie	La description	Quantité
1	Manipuler	1
2	Bouton ON / OFF	1
3	Le couvercle supérieur	1
4	Baffle thermique	1
5	Cordon d'alimentation	1
6	Bague d'étanchéité du moteur	1
7	Moteur	1
8	Éponge	1
9	Bague d'étanchéité de support de moteur	1
10	Membre	1

Partie	La description	Quantité
11	Sangle de tuyau	1
12	Filtre Cage Assy	1
13	Loquet à couvercle	2
14	Réservoir de poussière	1
15	Port de vide	1
16	Port de vidange	1
17	Sac d'accessoires avec support	1
18	Sac d'accessoires	1
19	Support de support de sac	2
20	Support de roue	1
21	Roulette caoutchoutée résistante	4

GARANTIE

Alton Industry Ltd. Group

Garantie limitée de 3 ans

Cette garantie couvre tout défaut de matériel ou de main-d'œuvre de ce produit. Alton Industries Ltd. Group réparera ou remplacera tout matériel ayant un défaut de fabrication. Cette garantie ne couvre pas tout problème causé par la mauvaise utilisation, l'abus, les accidents ou les catastrophes naturelles, telles que les inondations ou les ouragans. De plus, les dommages indirects ou accessoires ne sont pas couverts par cette garantie. La couverture prend fin si le produit est vendu ou transféré d'une quelconque façon. Si le produit semble défectueux, soumettre une copie du reçu à l'adresse indiquée ci-dessous et téléphoner au 1-888-899-0146 pour obtenir des instructions avant de retourner ce produit au magasin ou à :

Alton Industry Ltd. Group
643 Innovation Dr.
West Chicago, IL 60185

Nous inspecterons le produit et communiquerons avec vous dans les 72 heures pour vous faire part des résultats de notre vérification. Nous nous réservons le droit de réparer ou remplacer le produit à notre discrétion. Néanmoins, nous pouvons remplacer le produit par un autre produit similaire, mais n'ayant pas exactement les mêmes caractéristiques.

Pour obtenir des renseignements sur les pièces et le service téléphoner au, 1-888-899-0146. Cette garantie vous donne des droits spécifiques; il se peut que vous ayez d'autres droits, car ils varient d'un État à l'autre.

Copyright © 2023 DeWALT.

DeWALT® and the DeWALT Logo are trademarks of the DeWALT Industrial Tool Co., or an affiliate thereof and are used under license.

The yellow/black color scheme is a trademark for DeWALT power tools & accessories.

Copyright © 2023 DeWALT.

DeWALT® y el logotipo de DeWALT son marcas comerciales de DeWALT Industrial Tool Co., o una filial del mismo y se usan bajo licencia.

El gráfico de color negro y amarillo es una marca registrada para las herramientas eléctricas y los accesorios de DeWALT.

Copyright © 2023 DeWALT.

DeWALT® et le logo DeWALT sont des marques de commerce de DeWALT Industrial Tool Co. ou d'une société affiliée à cette dernière et sont utilisés sous licence.

L'agencement de couleurs jaune et noir est une marque de commerce des outils électriques et accessoires DeWALT.