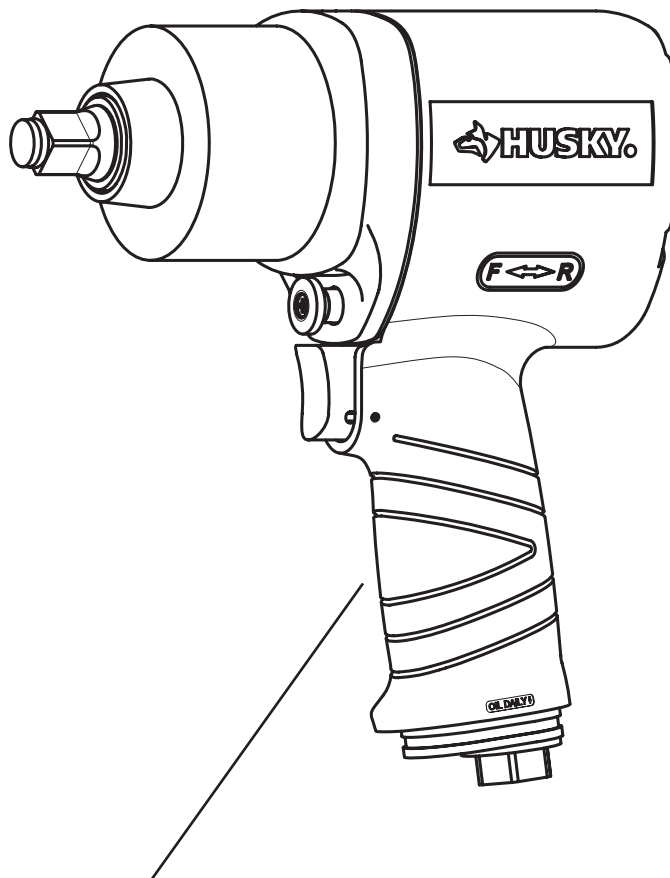


Pre-Installation

SPECIFICATIONS

Max Torque (ft-lb)	Free Speed (RPM)	Weight (lbs)	Length (in)	Air Cons. (SCFM)	Maximum Operating Pressure (PSI)
800	7000	4.38	7.25	4	90

PACKAGE CONTENTS



A

Part	Description	Quantity
A	1/2" Impact Wrench	1