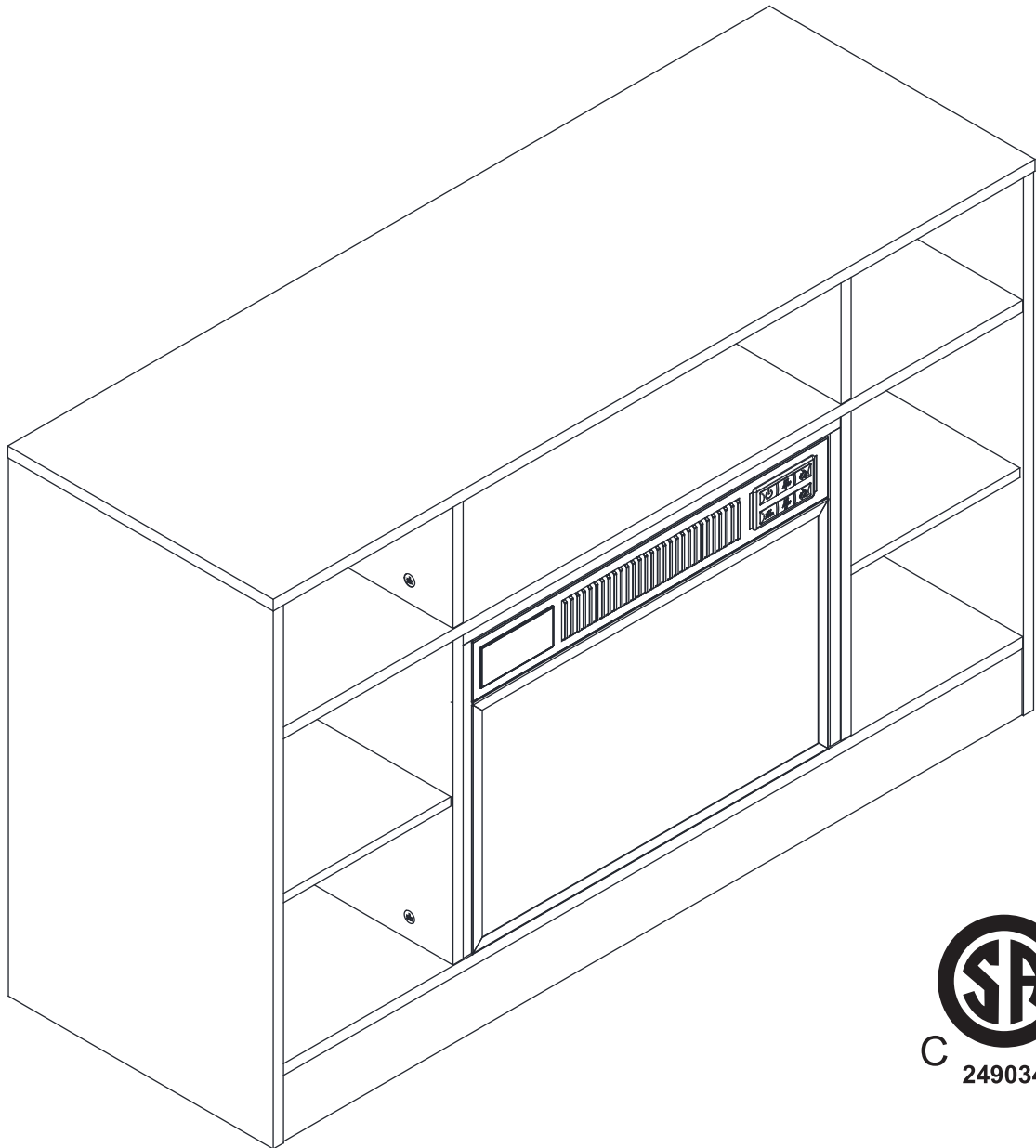


NORTHWEST

44IN ELECTRIC FIREPLACE TV STAND

OWNER'S MANUAL

Item#: HF180068 Oakley + TED20RC



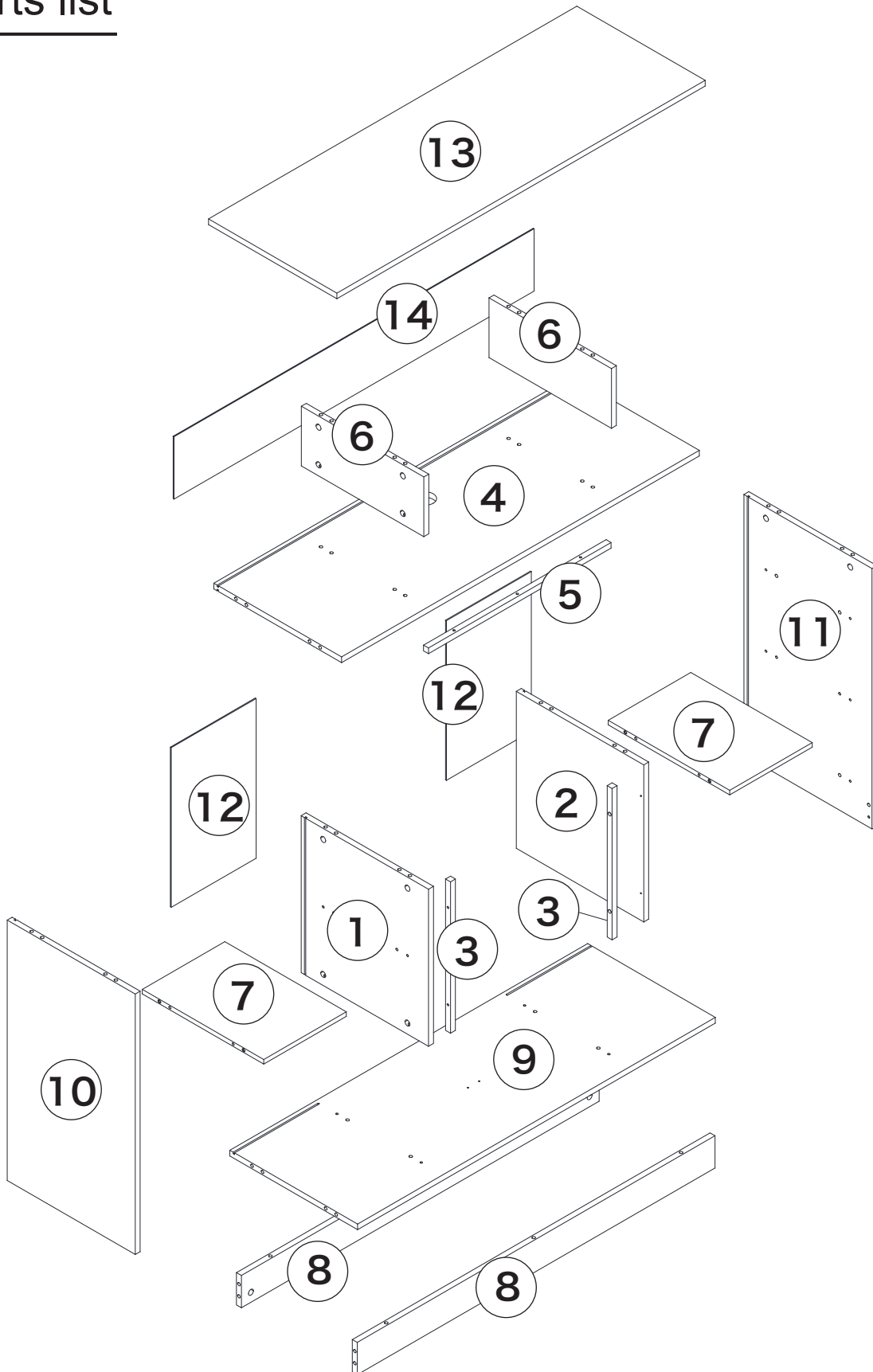
ATTENTION:

1. Find a location for the fireplace heater that is protected from direct sunlight.
2. Do not plug the electric fireplace heater into the power outlet before you read all instruction.

Helpful Advice

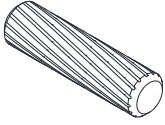
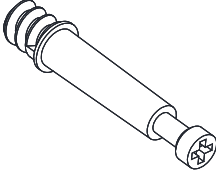
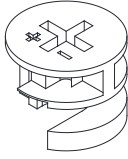
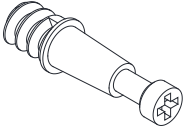
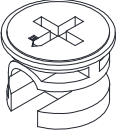
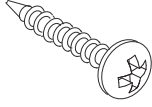
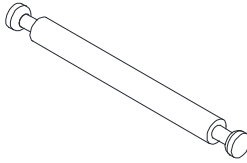
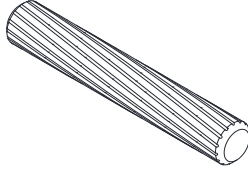
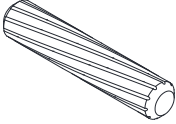
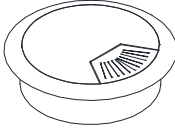
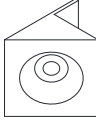
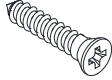
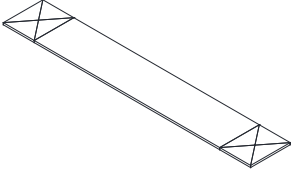

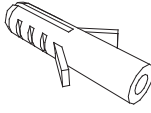
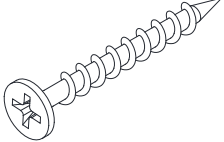
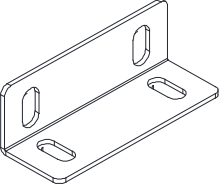
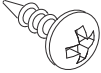
1. Follow carefully the assembly instructions.
2. Check to ensure this carton contains all parts.
3. To prevent product damage, assemble the furniture on the carton.
4. Clean surface of furniture with a duster or damp cloth only, do not use abrasive cleaners.

Parts list

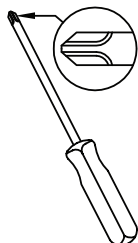


Hardware Kit

Lay out all hardware components separately in a flat surface with their corresponding letter labeling references prior to starting assembly.

 <p>$\Phi 7.8 \times 30\text{mm}$ A x 30</p>	 <p>$\Phi 7.5 \times 36.3\text{mm}$ B x 24</p>	 <p>$\Phi 15 \times 12\text{mm}$ C x 32</p>	 <p>$\Phi 7 \times 25.5\text{mm}$ D x 8</p>
 <p>$\Phi 13 \times 11\text{mm}$ E x 8</p>	 <p>$\Phi 4 \times 20\text{mm}$ F x 9</p>	 <p>$\Phi 6.5 \times 73\text{mm}$ G x 4</p>	 <p>$\Phi 7.8 \times 50\text{mm}$ H x 4</p>
 <p>$\Phi 5.8 \times 30\text{mm}$ I x 8</p>	 <p>J x 1</p>	 <p>K x 20</p>	 <p>$\Phi 3 \times 16\text{mm}$ L x 20</p>
 <p>M x 2</p>	 <p>N x 4</p>	 <p>O x 2</p>	 <p>$\Phi 3.8 \times 35\text{mm}$ P x 2</p>
 <p>Q x 1</p>	 <p>$\Phi 4 \times 10\text{mm}$ R x 4</p>		

TOOL NEEDS FOR ASSEMBLY

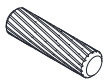
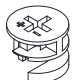
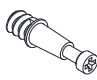



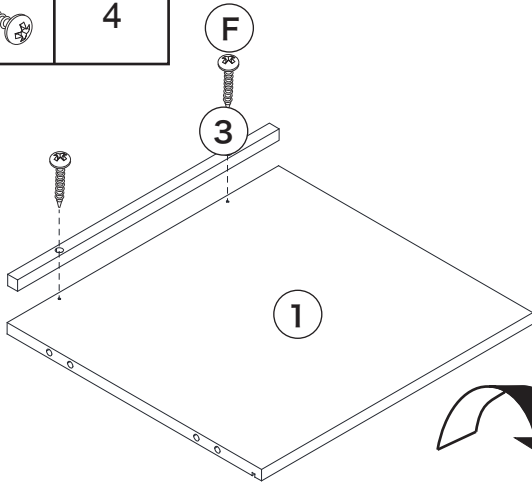
Phillips screwdriver (not included)



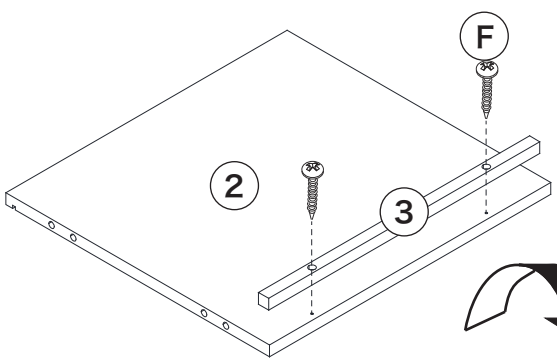
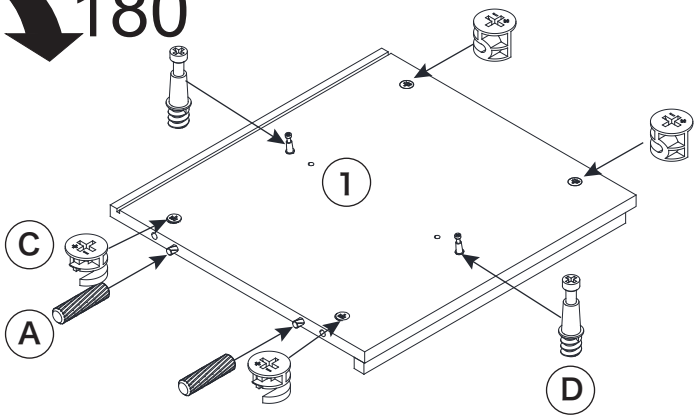
Slotted screwdriver (not included)

1

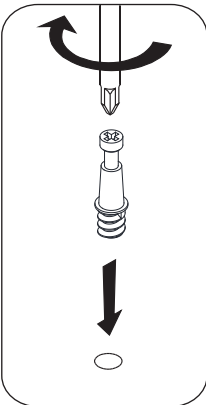
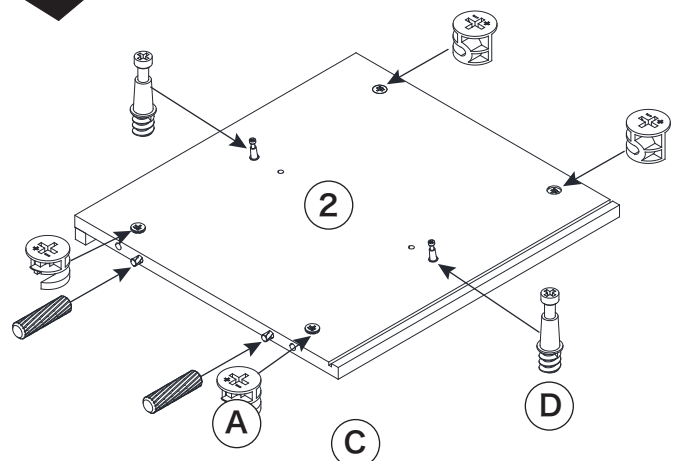
A		4
C		8
D		4
F		4



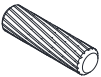


180°

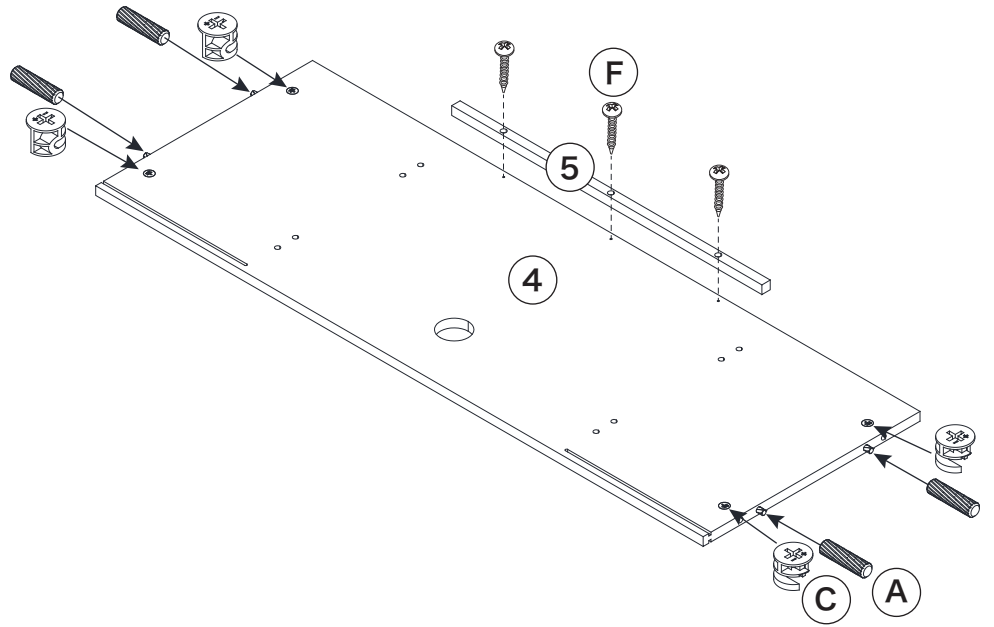


180°

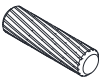



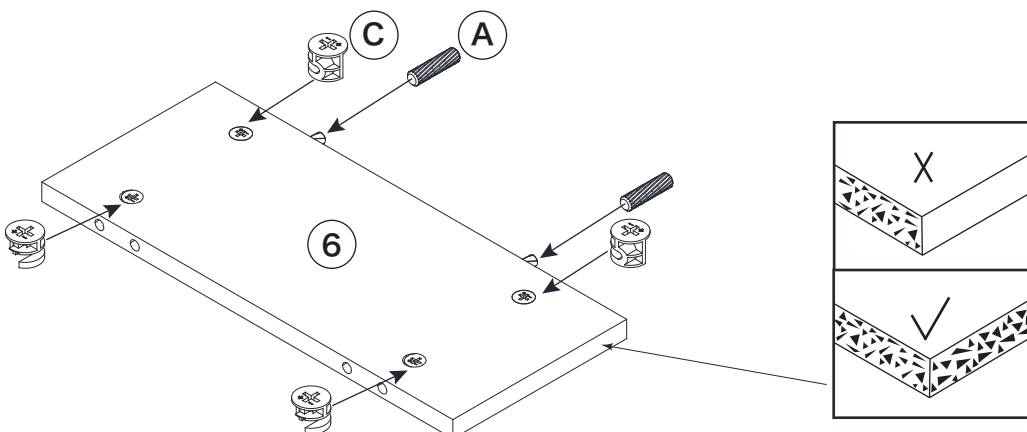
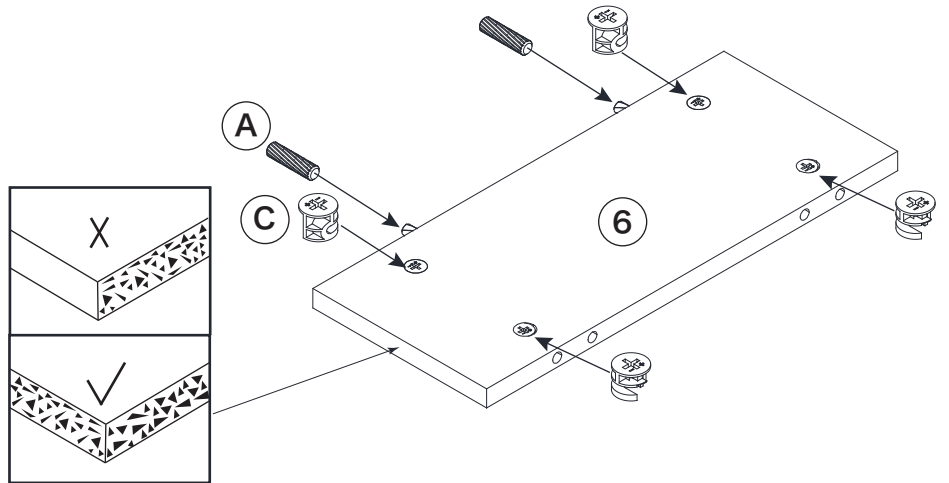
2

A		4
C		4
F		3

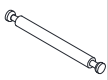
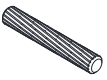


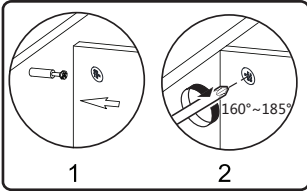
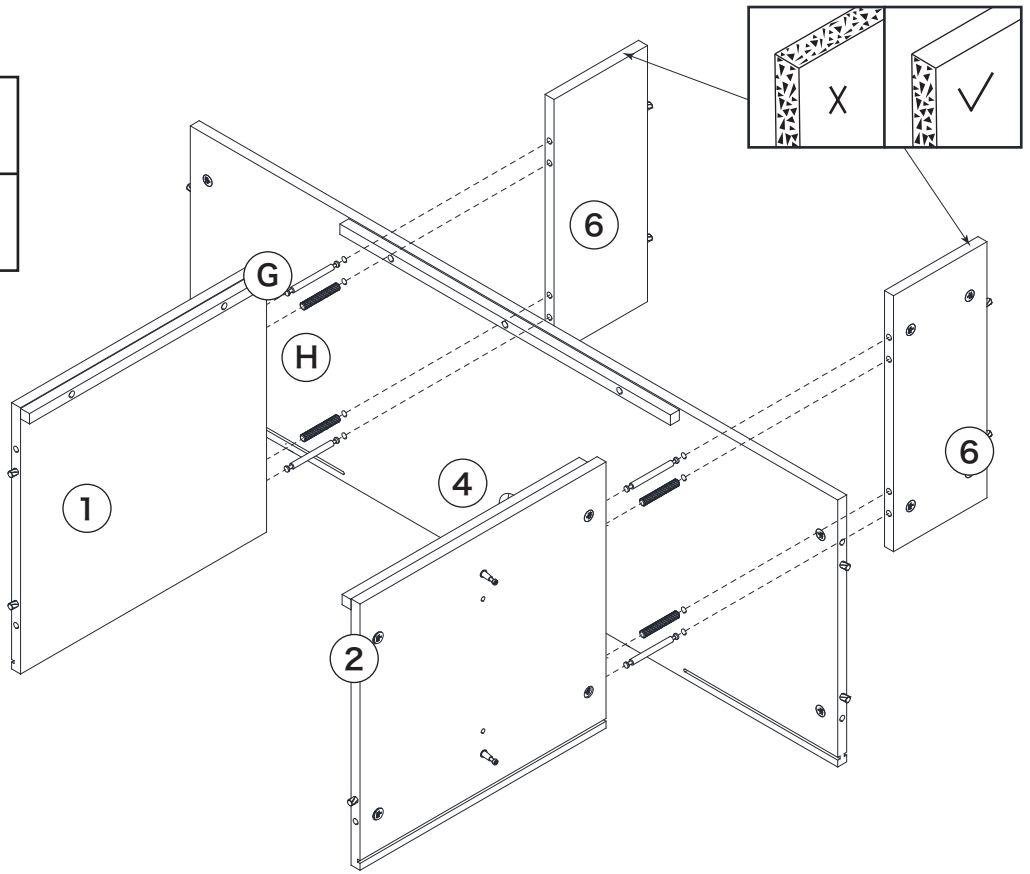
3

A		4
C		8

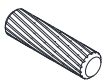


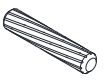


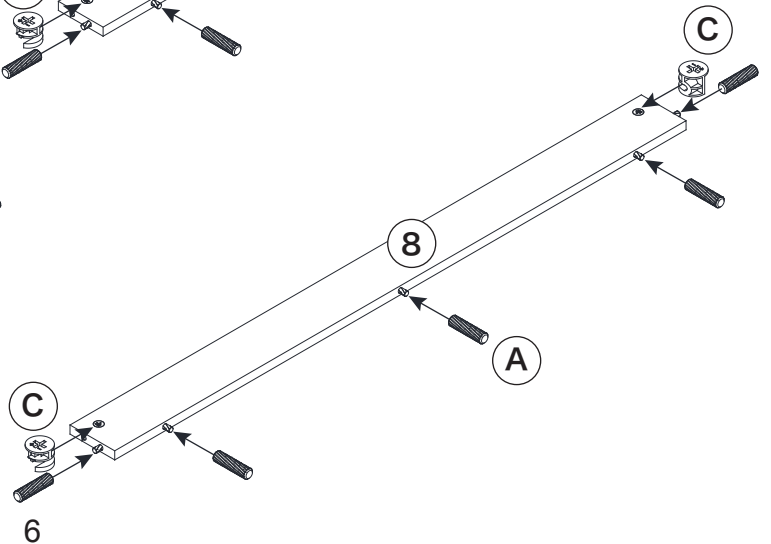
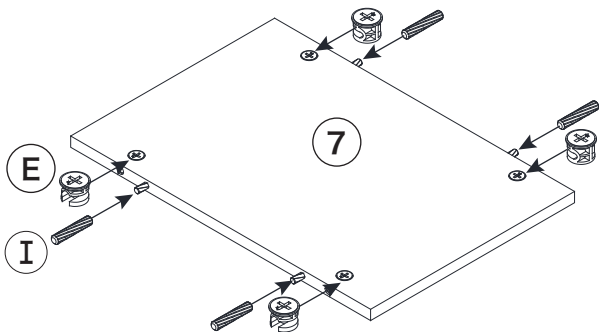
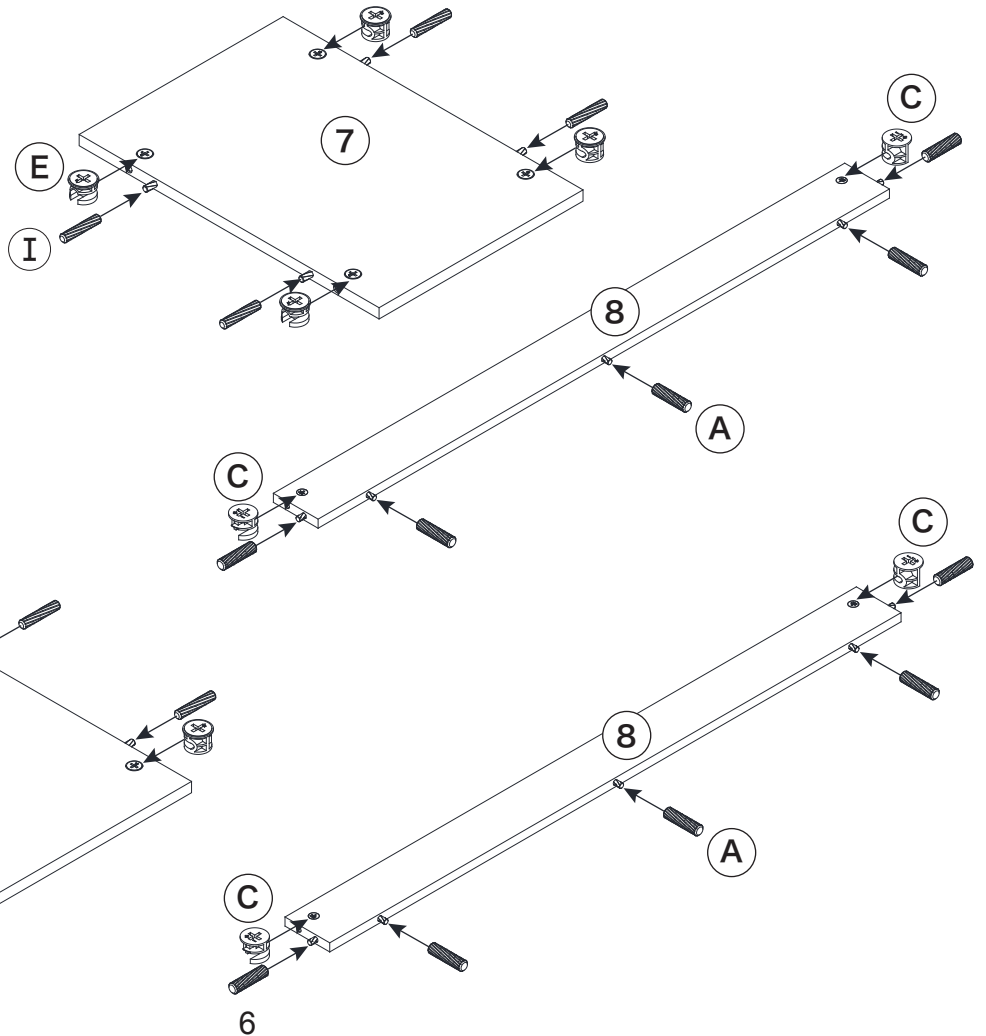
4

G		4
H		4

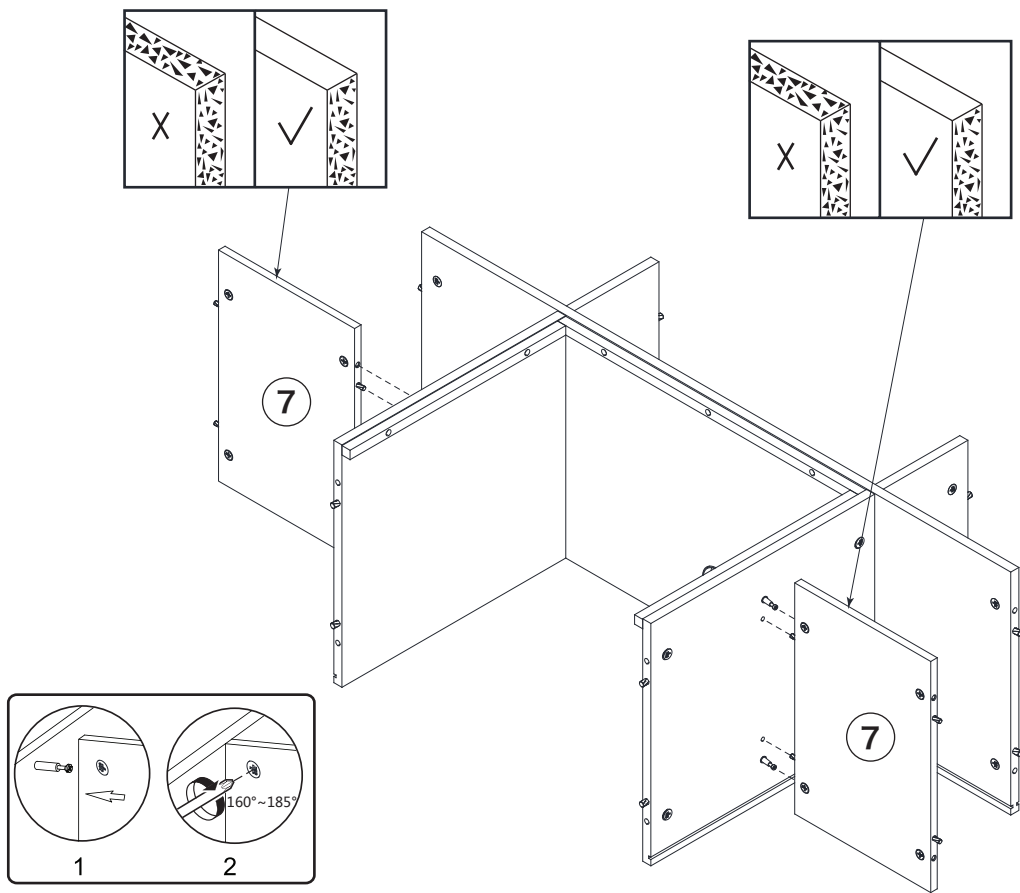


5

A		10
C		4
E		8
I		8

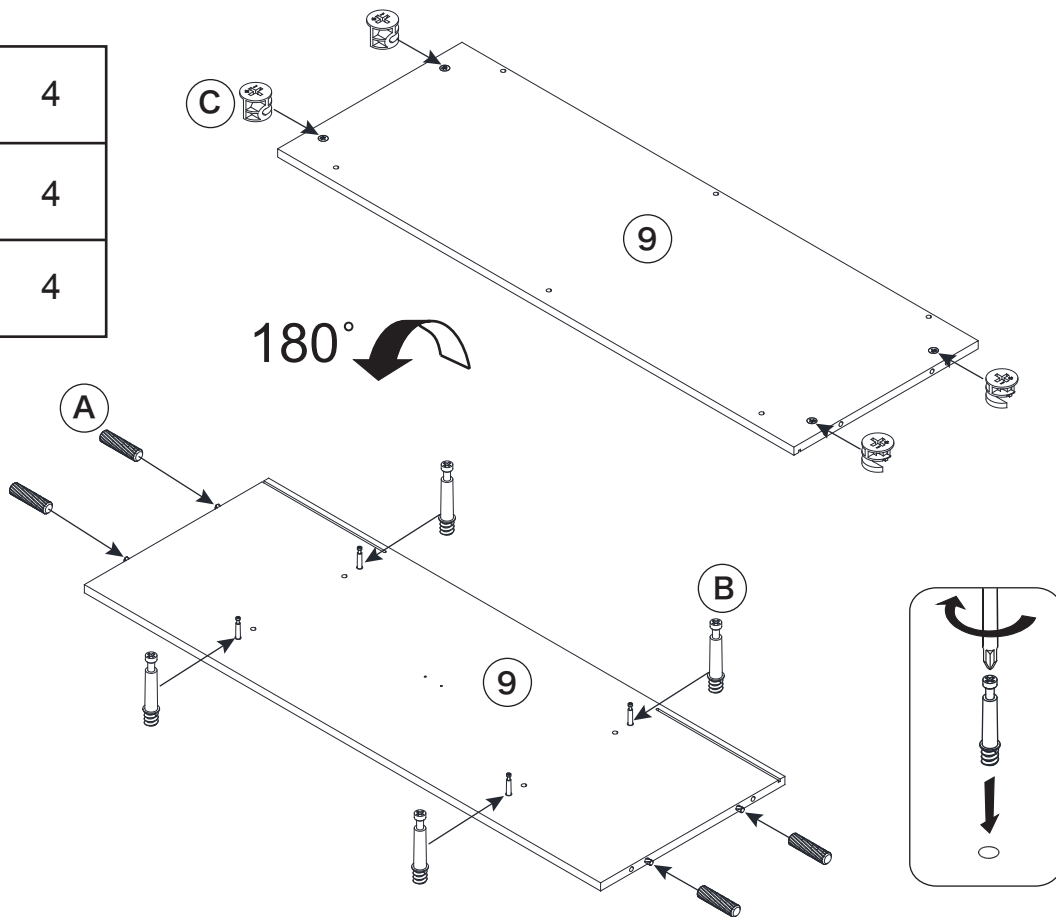


6

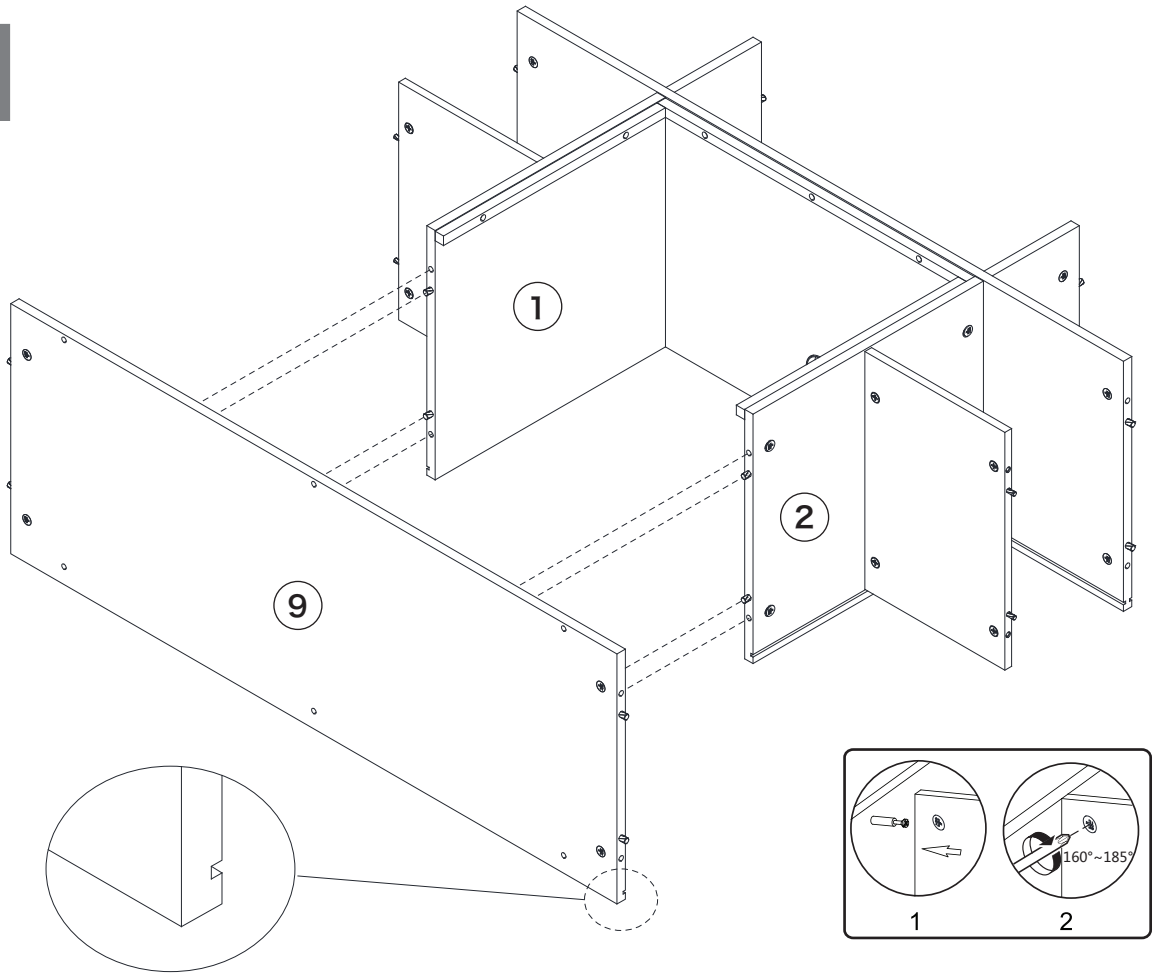


7

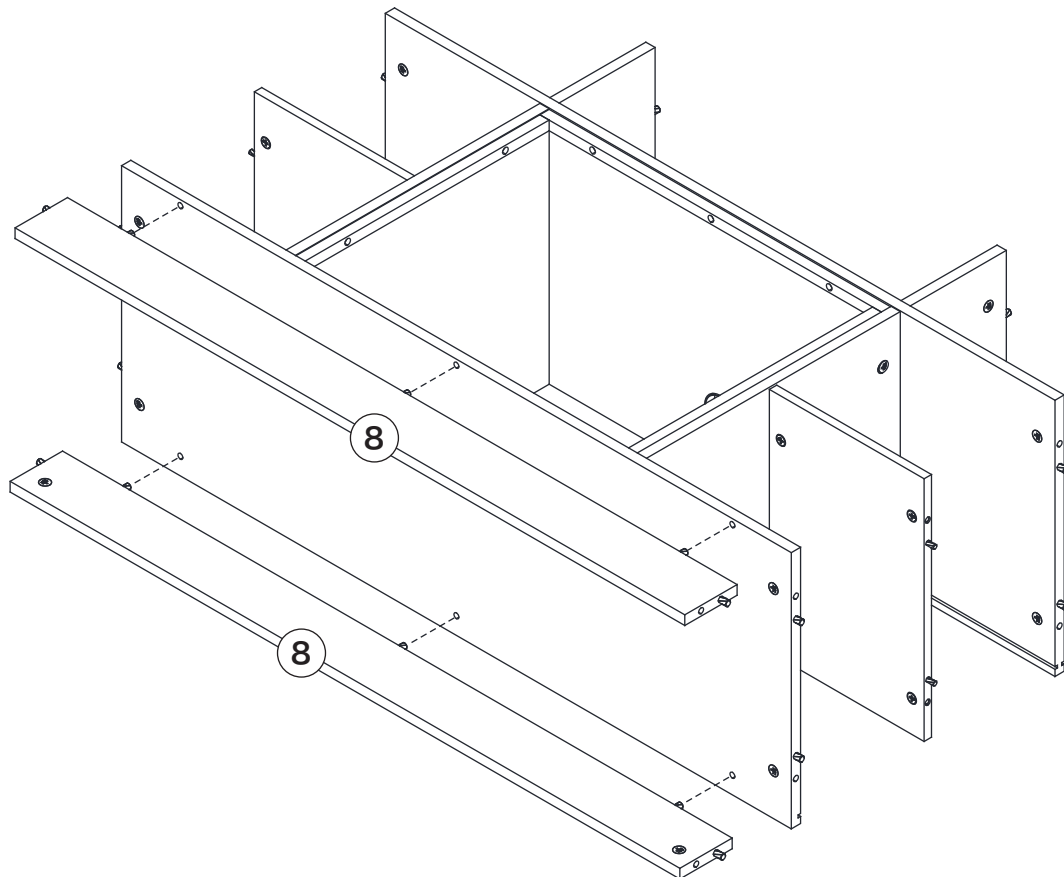
A		4
B		4
C		4



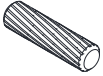
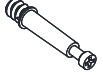

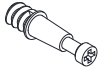
8

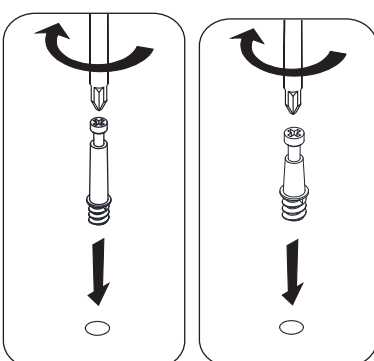
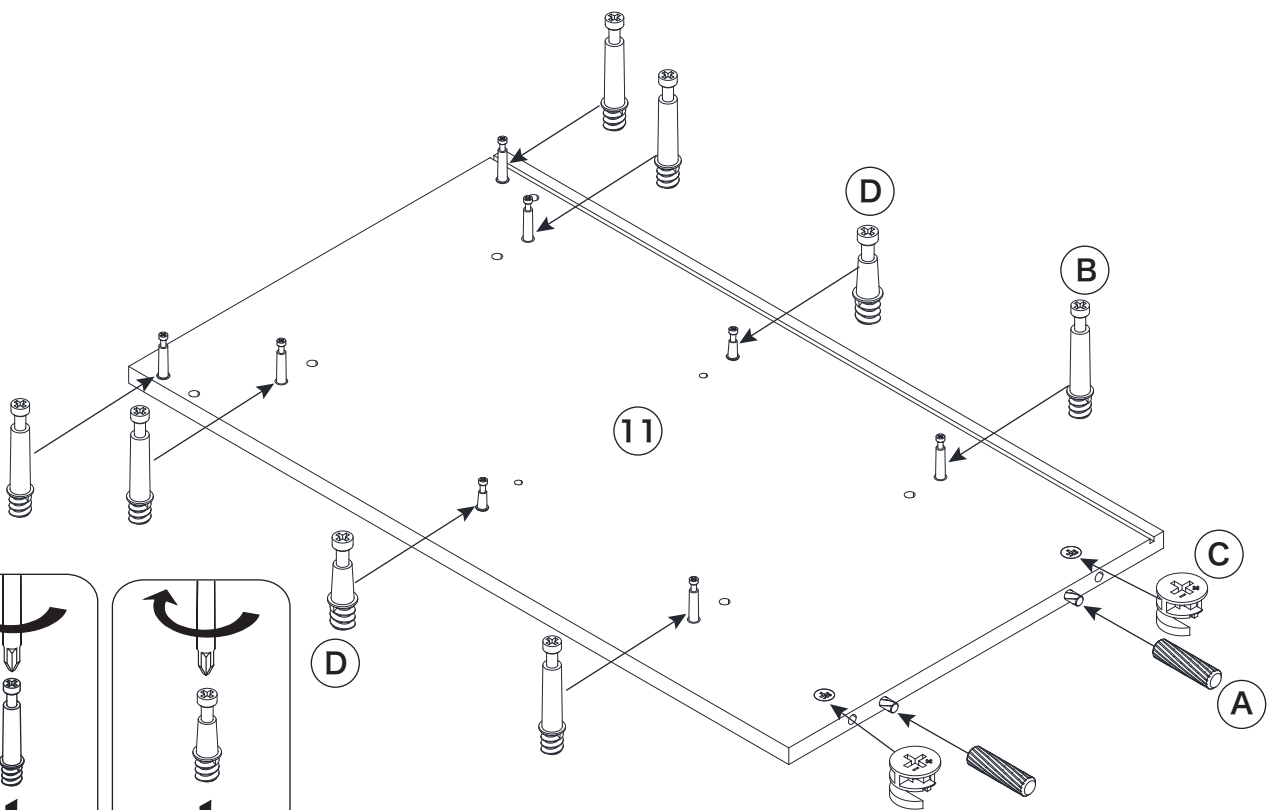
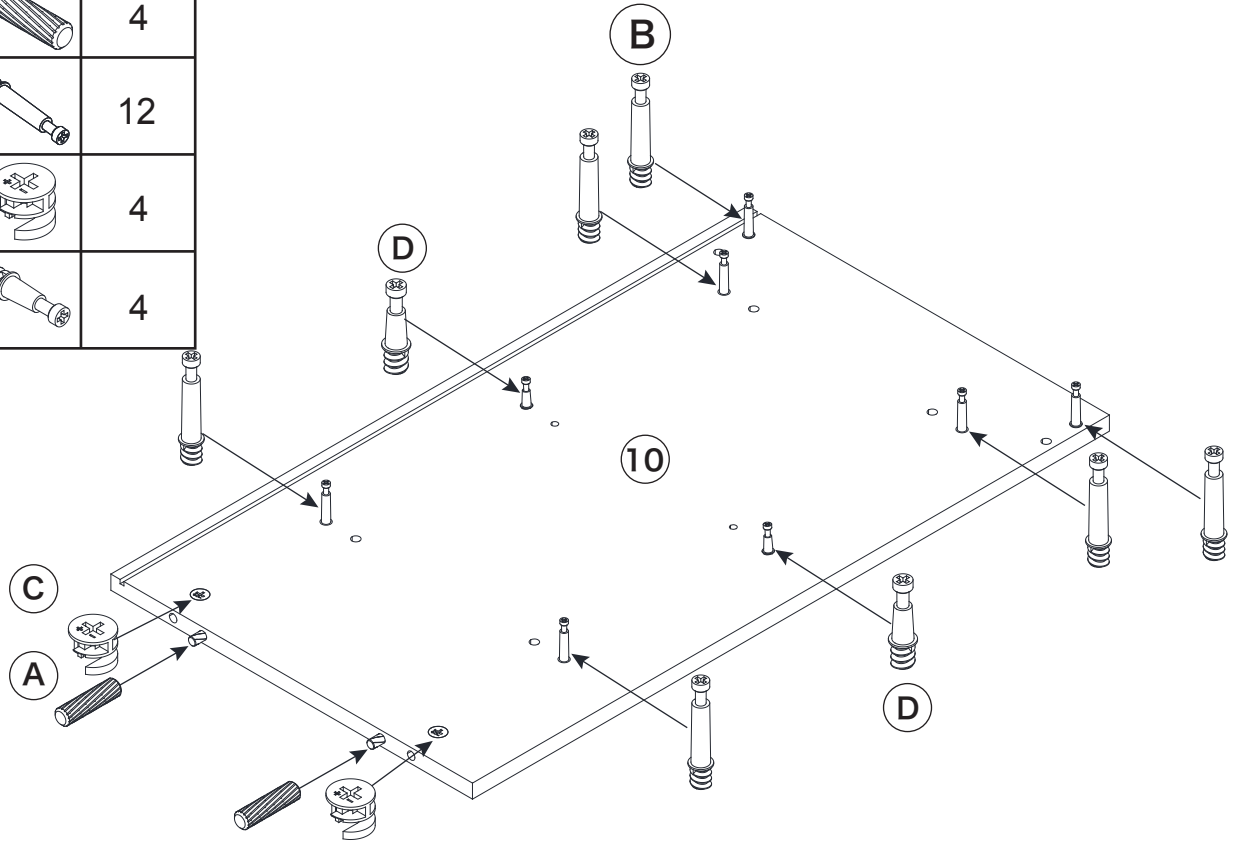


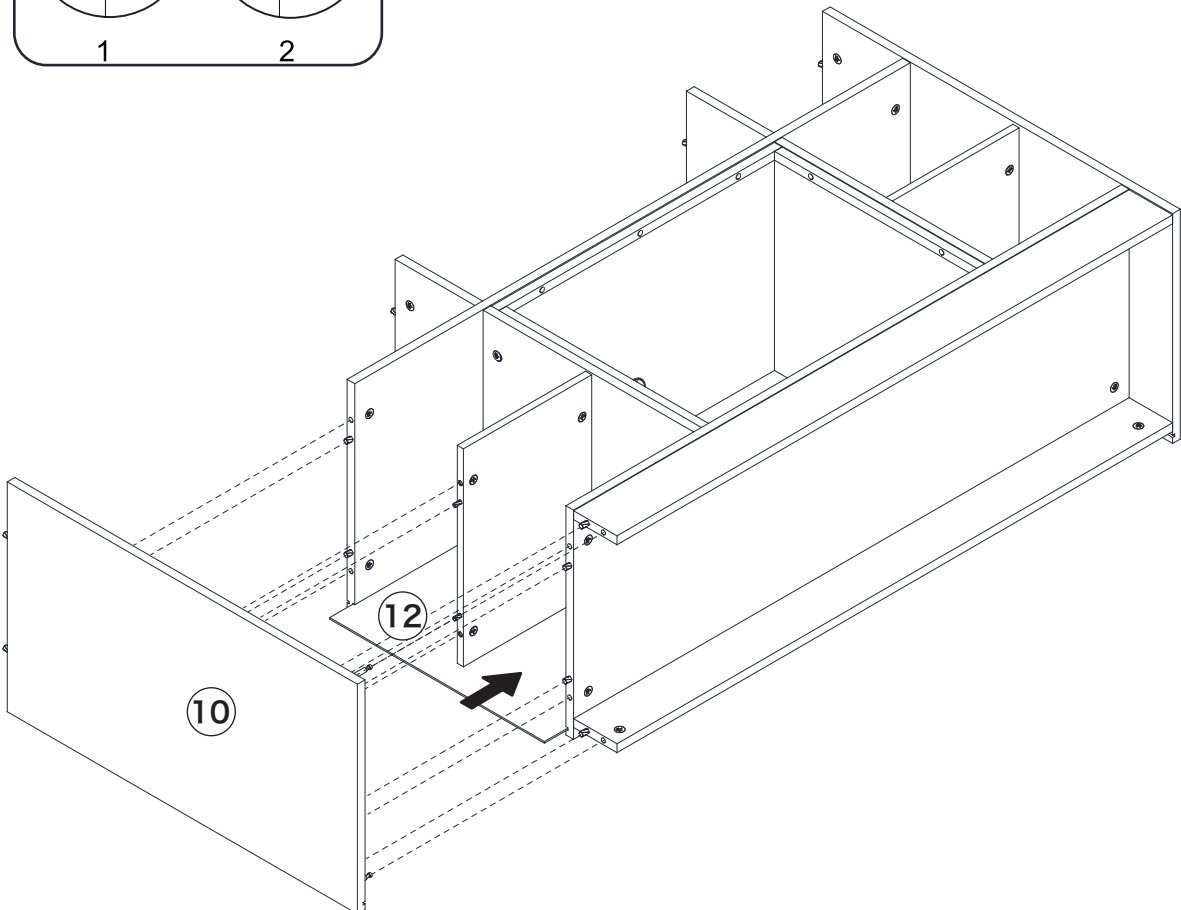
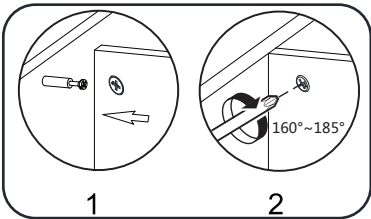
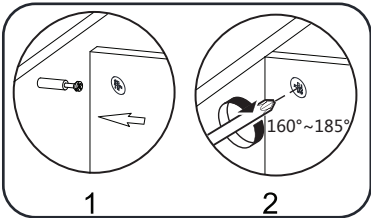
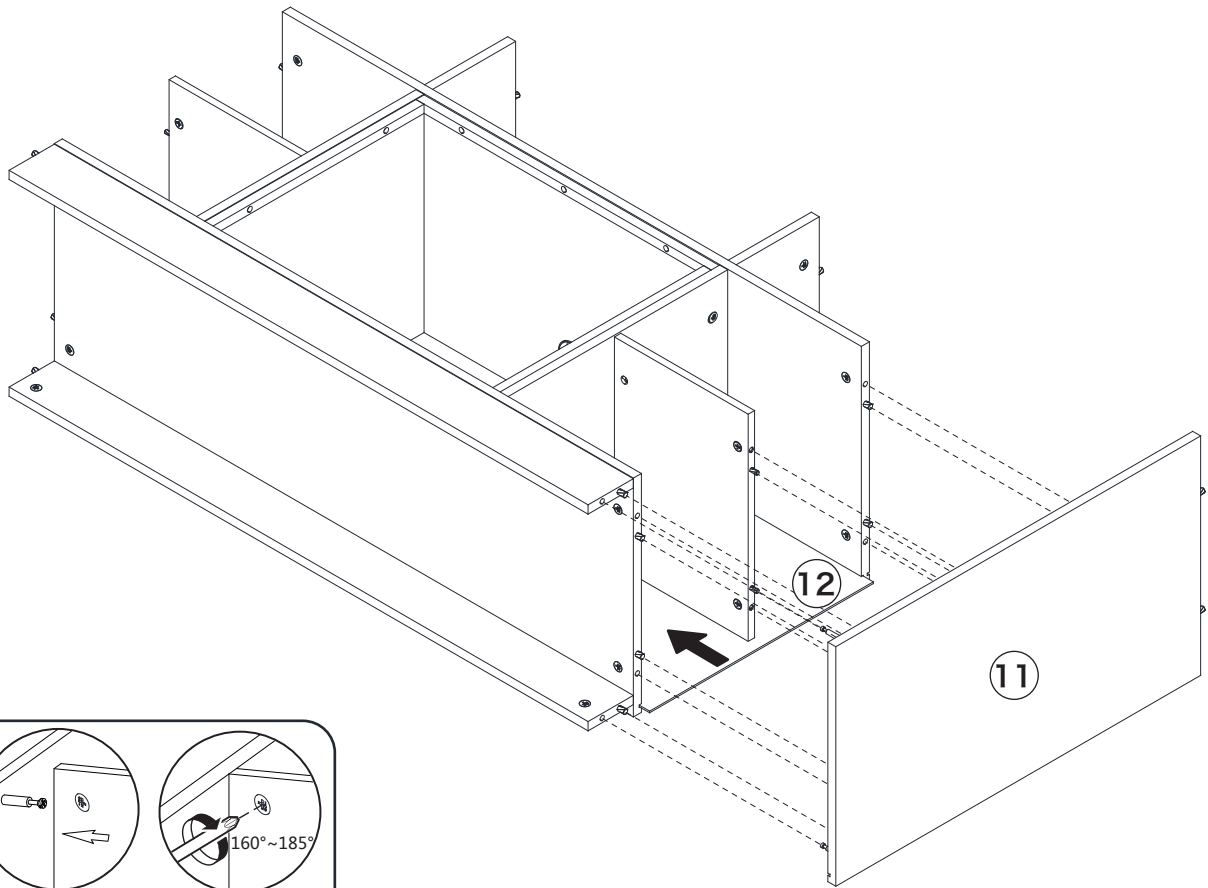
9



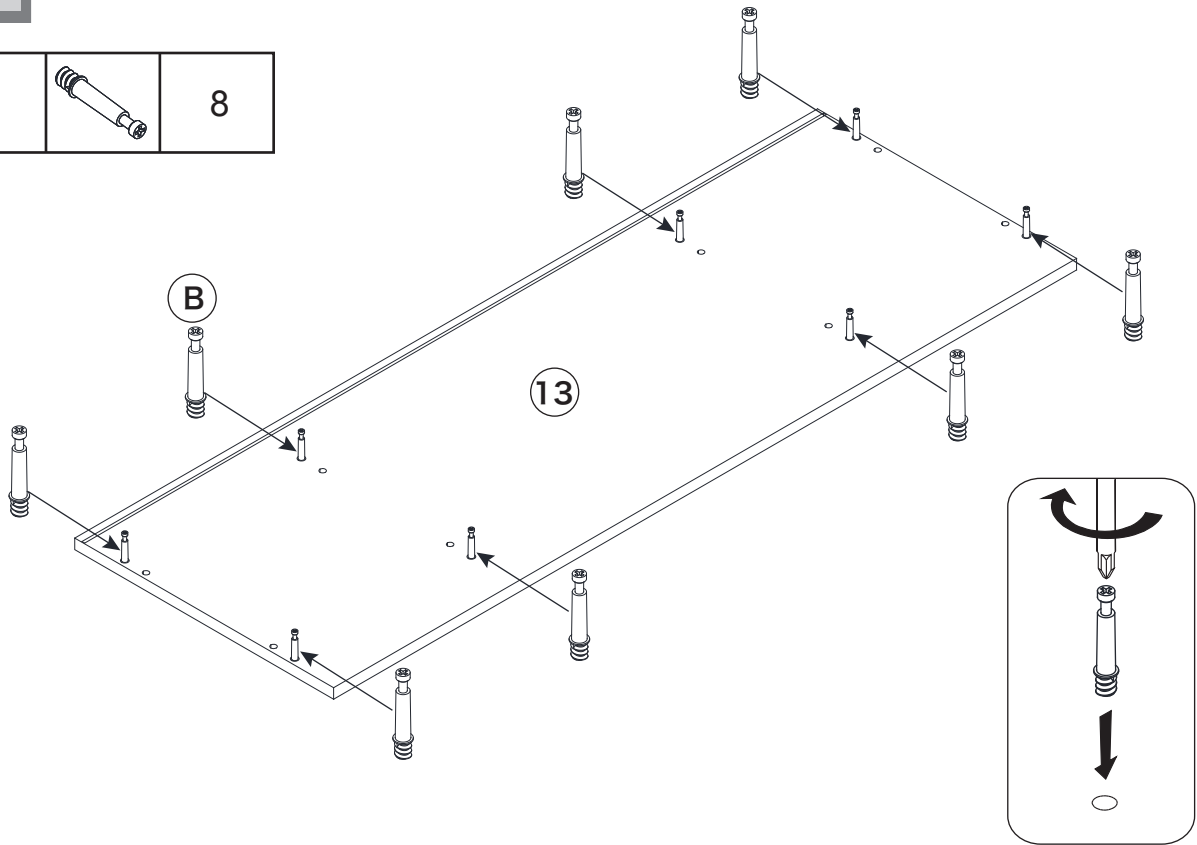
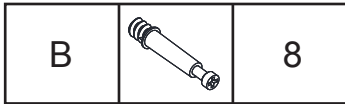
10

A		4
B		12
C		4
D		4

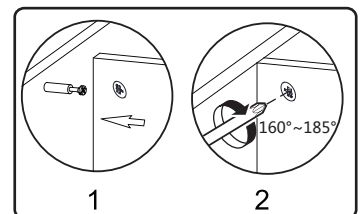
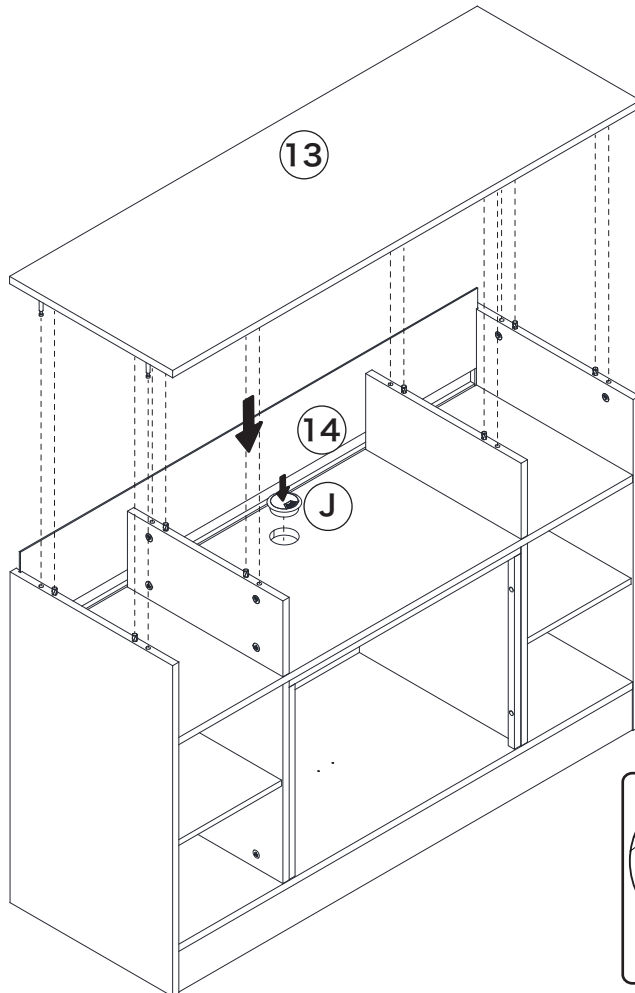




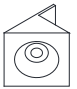

12

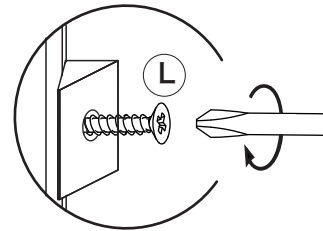
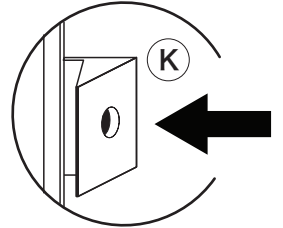
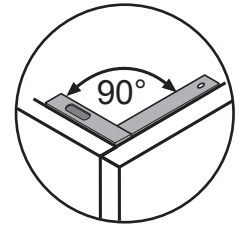
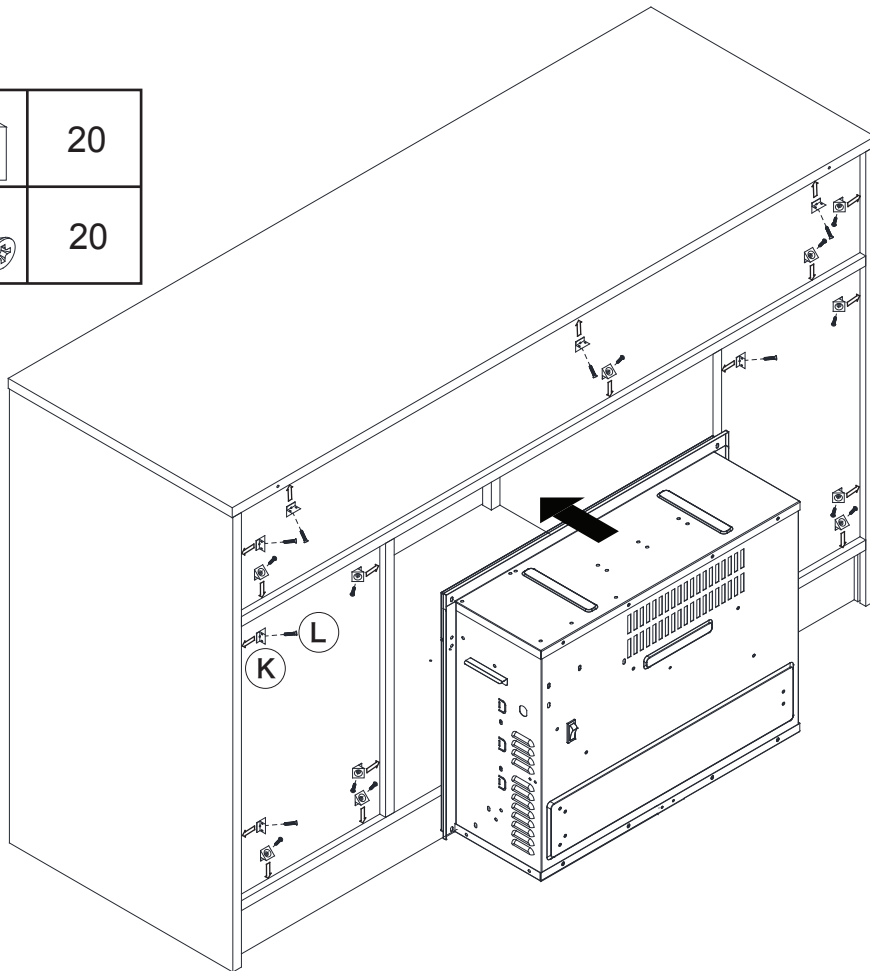


13

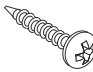
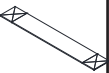
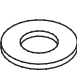
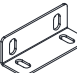



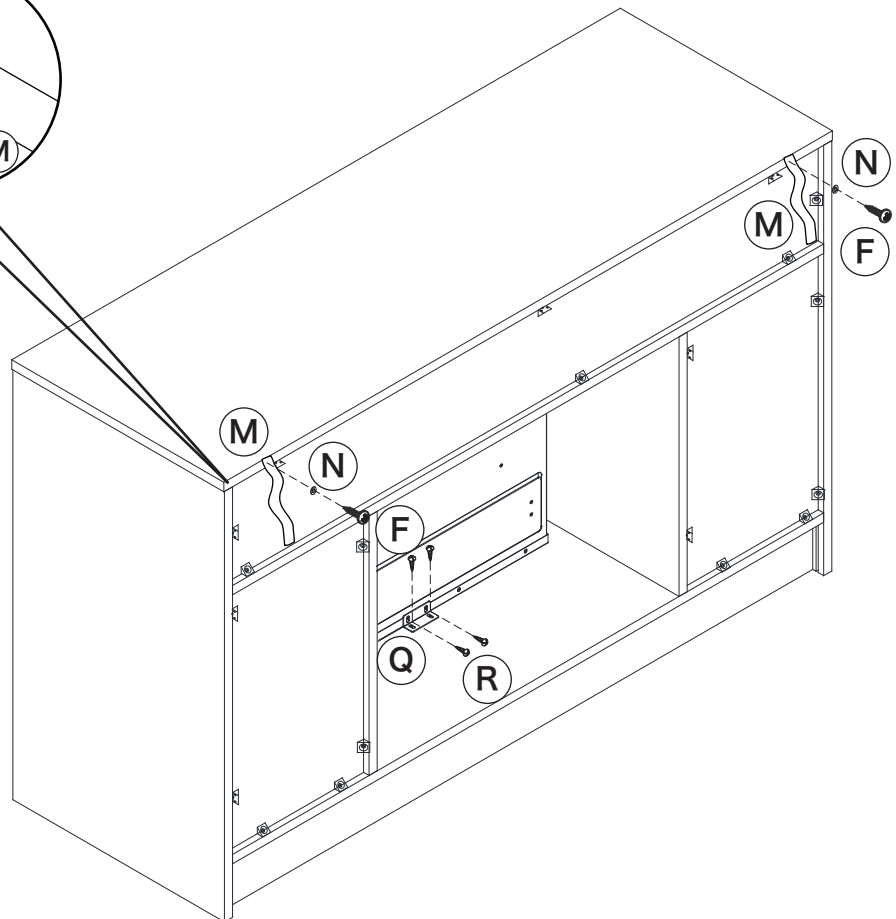
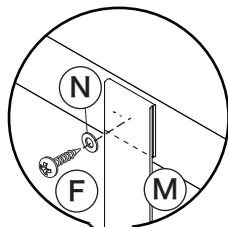
14

K		20
L		20


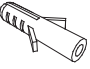
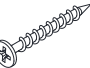


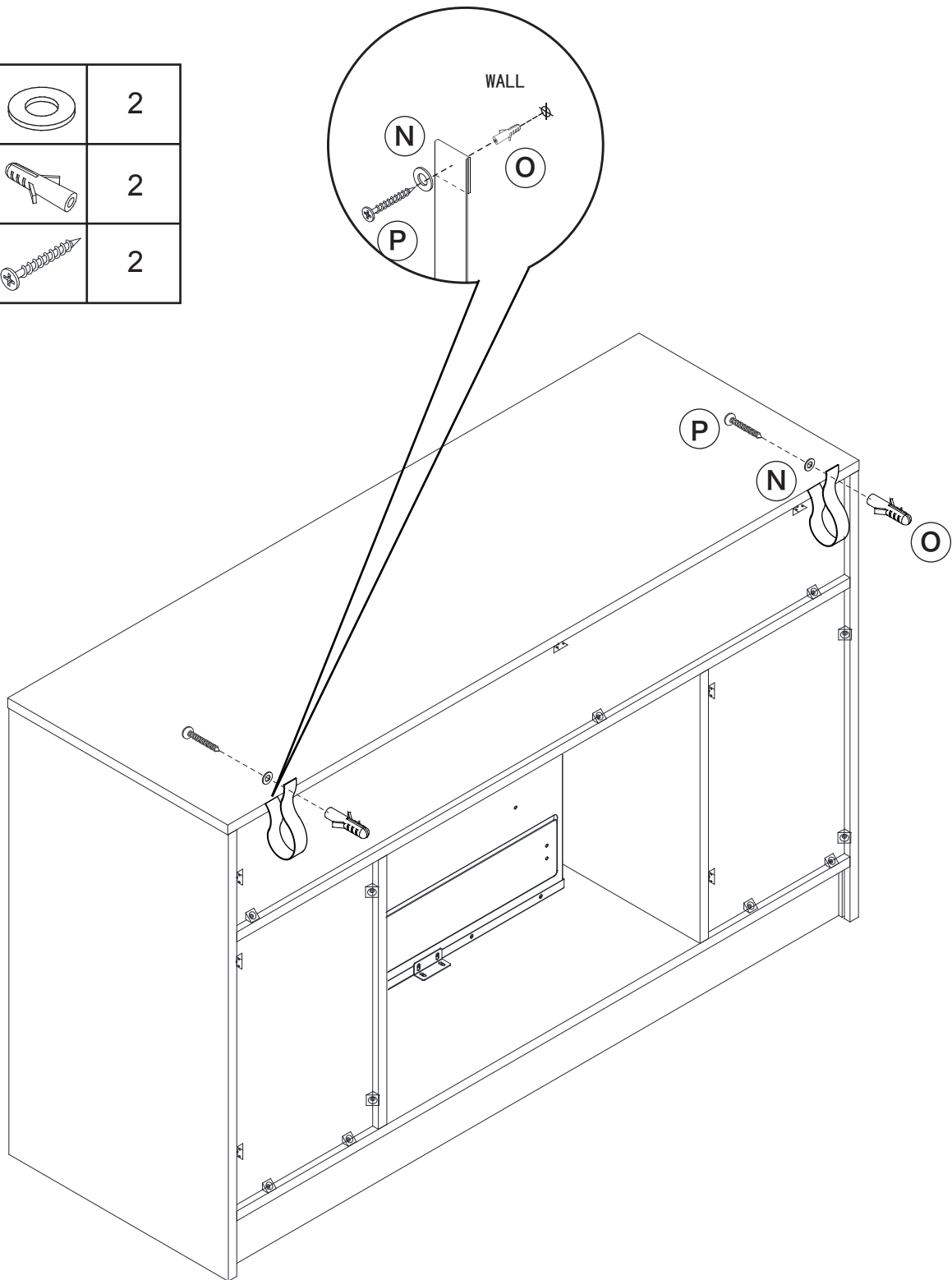
15

F		2
M		2
N		2
Q		1
R		4

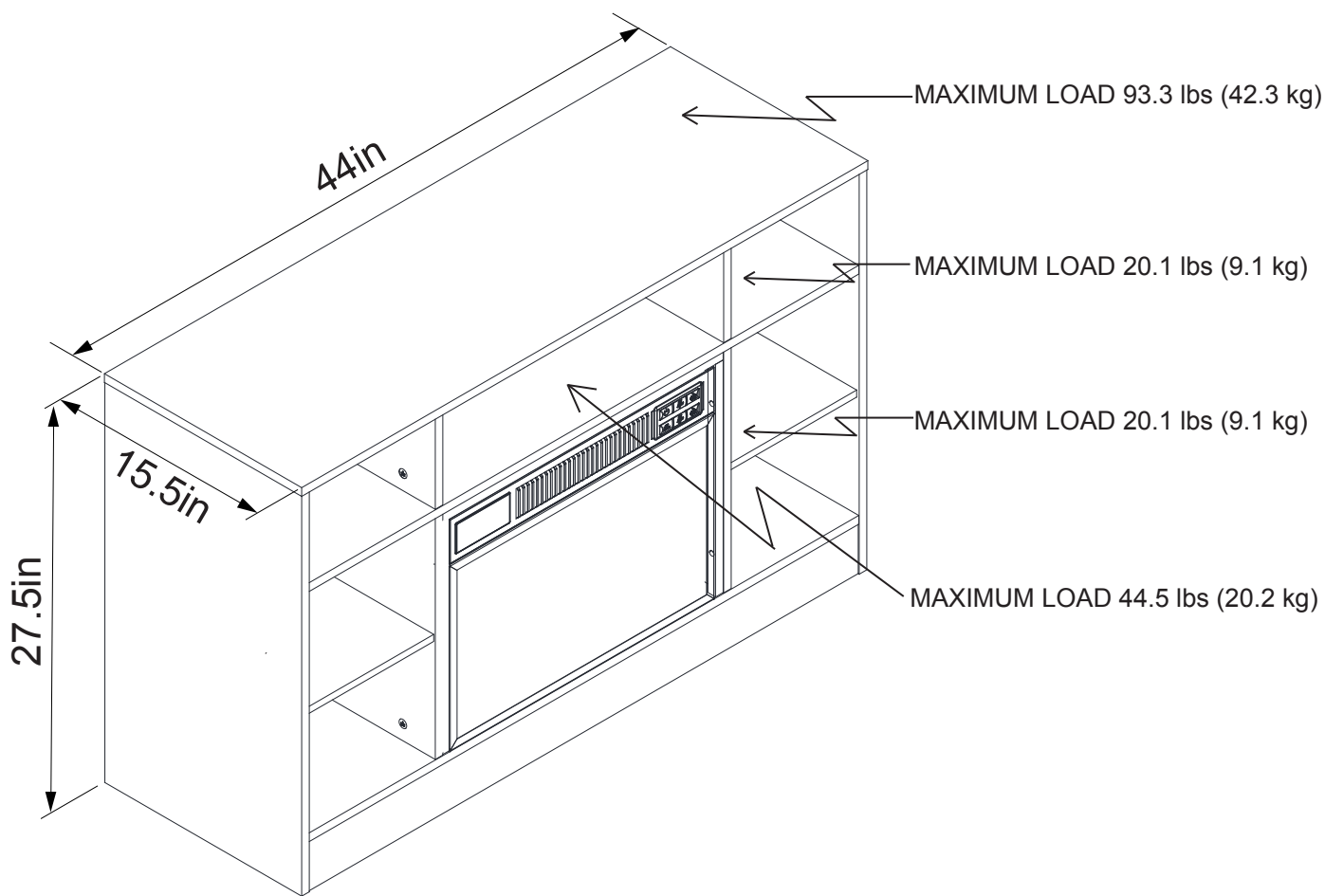


16

N		2
O		2
P		2

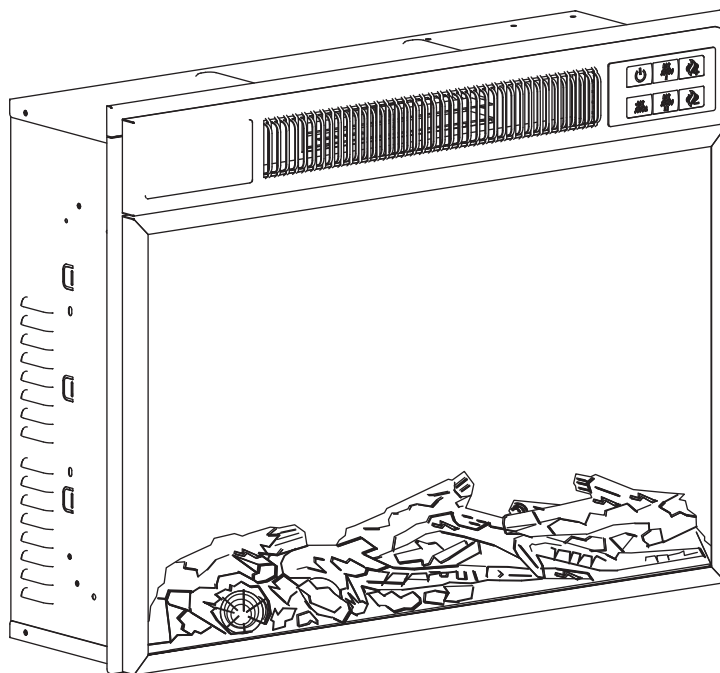


WARNING :Tipping restraint is included. Young children may be injured by tipping furniture.The use of a tipping restraint is highly recommended. This hardware, when properly installed,could provide protection against the unexpected tipping of furniture due to improper use.



NORTHWEST

LED ELECTRIC FIREPLACE INSERT



INSTALLER / CONSUMER SAFETY INFORMATION

PLEASE READ THIS MANUAL BEFORE INSTALLING AND USING APPLIANCE

WARNING

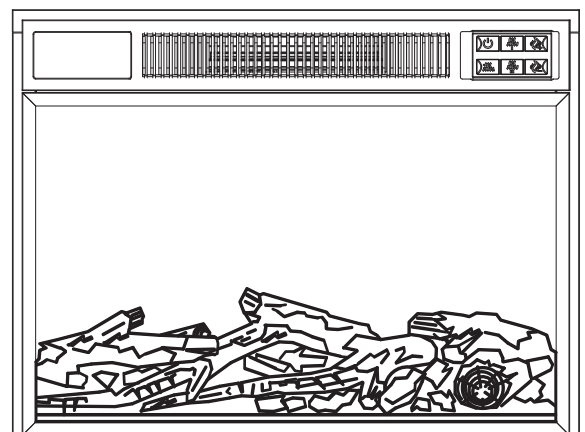
IF THE INFORMATION IN THIS MANUAL IS NOT FOLLOWED EXACTLY, AN ELECTRICAL SHOCK OR FIRE MAY RESULT CAUSING PROPERTY DAMAGE, PERSONAL INJURY OR LOSS OF LIFE.

FOR YOUR SAFETY

*(Service must be performed by a qualified service agency.)
DO NOT STORE OR USE GASOLINE OR OTHER FLAMMABLE VAPORS OR LIQUIDS IN THE VICINITY OF THIS OR ANY OTHER APPLIANCE.*

1. Read all instructions before using this appliance.
2. This heater is hot when in use. To avoid burns, do not let bare skin touch hot surfaces. Keep combustible materials, such as furniture, pillows, bedding, papers, clothes and curtains at least 3 feet (0.9m) from the front of this heater and keep them away from the sides and rear.
3. CAUTION: Extreme caution is necessary when any heater is used by or near children or invalids and whenever the heater is left operating unattended.
4. Always unplug this appliance when not in use.
5. Do not operate any heater with a damaged cord or plug or after the appliance malfunctions, has been dropped or damaged in any manner. Return heater to authorized service facility for examination, electrical or mechanical adjustment, or repair.
6. Any repairs to this appliance should be carried out by a qualified service person.
7. Under no circumstances should this appliance be modified.
8. Do not use outdoors.
9. This heater is not intended for use in bathrooms, laundry areas and similar indoor locations. Never locate heater where it may fall into a bathtub or other water container.
10. Do not run cord under carpeting. Do not cover cord with throw rugs, runners or similar coverings. Arrange cord away from traffic areas and where it will not be tripped over.
11. To disconnect this appliance, turn controls to the off position, then remove plug from outlet.
12. Connect to properly grounded outlets only.
13. This appliance, when installed must be electrically grounded in accordance with local codes, with the current CSA C22.1 Canadian Electrical code or for USA installations, follow local codes and the National Electric Code, ANSI/NEPA No. 70.

14. Do not insert or allow foreign objects to enter any ventilation or exhaust opening as this may cause an electric shock, fire or damage the heater.
15. To prevent possible fire, do not block air intakes or exhaust in any manner. Do not use on soft surfaces, like a bed, where openings may become blocked.
16. This heater has hot and arcing or sparking parts inside. Do not use it in areas where gasoline, paint or flammable liquids are used or stored. This appliance should not be used as a drying rack for clothing, nor should Christmas stockings or decorations be hung on or near it.
17. Use this appliance only as described in this manual. Any other use not recommended by the manufacturer may cause fire, electric shock or injury to person.
18. Always plug heaters directly into a wall outlet/receptacle. Never use with an extension cord or relocatable power tap(outlet/power strip).
19. Once the inner temperature of this insert reach to $85\pm 2^{\circ}\text{C}$, this insert will off-work automatically. To reset temperaturing limiting control, disconnect power using plug or main switch for 10 minutes.



FIREPLACE LOCATION

The fireplace insert was designed to fit the TV stand. See STEP 14 where the insert is placed on the TV stand. This heater is a fireplace insert and can't be used as a movable fireplace. When choosing a location for your electric fireplace, ensure that the general instructions are followed. For best results, install the electric fireplace away from direct sunlight and dust.

TROUBLE SHOOTING GUIDE

PROBLEM	SOLUTION
1. No power.	1a. Check that unit is plugged into a standard 120V outlet.
2. Logs glow but flame effect does not work.	2a. Open bottom of unit, check to see if "spinner" is correctly mounted at the rear of unit. 2b. Check to see if spinning motor is functioning. If not, call customer service.
3. Heater doesn't work, but Power and Heater switches / buttons are in the "ON" position and thermostat (if applicable) is set on "HI".	3a. Turn all switches / buttons to the "OFF" position and unplug the unit from the wall outlet for 10 minutes. After 10 minutes plug the unit back into wall outlet, and operate normally.
4. Other reasons that may prevent the heater from working correctly: Incorrect operation. Dirty or clogged vents.	4a. Refer to operating instructions. 4b. Unplug the unit. Clear vent area of dust and debris. Wait ten minutes, plug the unit in again and turn on the heater.
5. Unusual sounds/noise.	5a. It is normal when the firebox is working. The noise comes from the fan that blows the heated air out of the firebox. A slight noise may also come from the motor that generates the flame. If it is unusual, check that the screws attaching the flame motor are tightened.
6. Flame effect operates, but heater does not blow warm air.	6a. Check that heater switch / button is in "on" position.

SERVICE INSTRUCTIONS

USER INSTRUCTIONS

1. Any repairs to this appliance should be carried out by a qualified service person.
2. Under no circumstances should this appliance be modified. Parts having to be removed for servicing must be replaced prior to operating this appliance again.
3. This firebox is to be cleaned with a damp cloth (water) only. Do not use any abrasive cleaners on the unit.
4. Please unplug this firebox when not in use.
5. If using firebox in existing fireplace, please clean/vacuum thoroughly before inserting the firebox. Vacuum firebox vents periodically to avoid dust buildup for long lasting use.

TEMPERED GLASS INFORMATION

1. Under no circumstances should this product be operated with broken glass.
2. Do not strike or slam the glass.
3. Do not use abrasive cleansers to clean the glass.
4. This product uses tempered glass. Replacement of the glass supplied by the manufacturer should be done by a qualified service person.

ELECTRIC FIREPLACE SPECIFICATIONS

Fireplace Insert Dimensions(W x D x H)	20 1/2 x 7 x 15 5/8 inch 52 x 17.9 x 39.5 cm
Net Weight	7.8 kg
Voltage	120V~
Frequency	60Hz
Watts	750/1500 Watts

PRODUCT FEATURES

- Tempered glass;
- Realistic glowing logs and ember bed;
- Safely heats up to 400 sq ft;
- LED lighting (energy-saving, long life span);
- 2 Heat Levels: Low(750W)/High(1500W);
- 5 Flame Brightness Levels +/- ;
- Switch manual control & remote control.

WARNING



- ▲ Do not use this fireplace insert if any part of it has been under water. Immediately call a qualified service technical to inspect the firebox and replace any part of the electrical system which has been under water.

GROUNDING INSTRUCTIONS

This heater is for use on 120 volts. The cord has a plug as shown at A in figure 1.

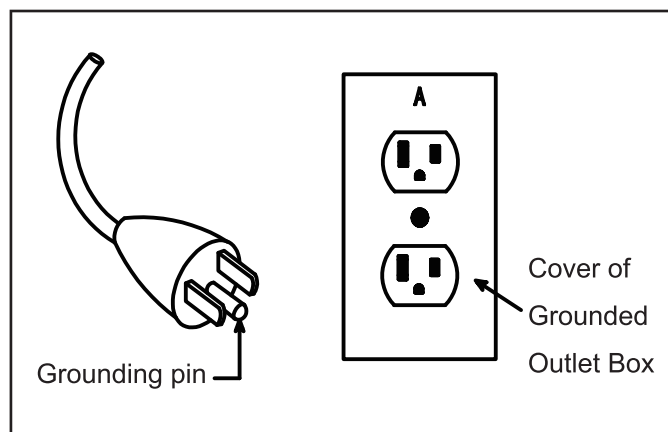


Figure 1 Grounding method

ELECTRICAL CONNECTION

Preferably, the fireplace will be on a dedicated circuit as other appliances on the same circuit may cause the circuit breaker to trip or the fuse to blow when the heater is in operation. The unit comes standard with 6ft. (1800mm) three prong cord, exiting from the rear of the fireplace. Plan the installation to avoid the use of an extension cord. Always plug heaters directly into a wall outlet/receptacle. Never use with an extension cord or relocatable power tap(outlet/power strip).


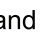


OPERATING INSTRUCTIONS: MANUAL CONTROL

■ The manual control panel can be accessed at lower or up-right corner of the insert.

POWER

This button will not only put the insert in a standby mode, but also you can see the flame effect through the screen. This will turn off all functions at once. By pressing the button again the unit will turn on at the same settings.

HEATER /




This button will turn on the power to the heater and blower. The HEATER switch has two options  and  .
Button  will activate the heater on the low setting (750W).
Button  will activate the heater on the high setting (1500W).

As an important safety feature, the fan blower will continue to run for several seconds after the heater is turned off.

HEATER OFF

This button will turn off the heater and blower.

FLAME /

Allows you to adjust the flame to suit your mood. Press button  to increase flame brightness and press button  to decrease flame brightness. You must press the button  several times to see the full flame effect.

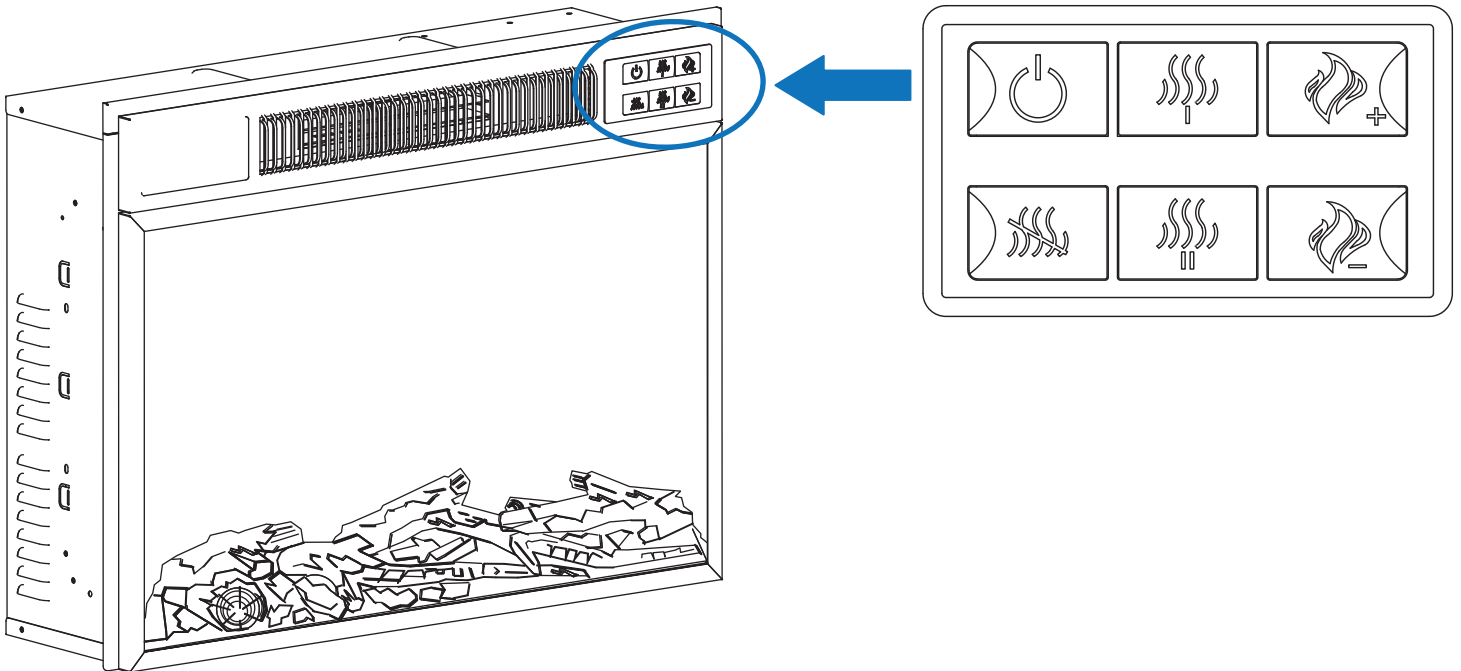


Figure 2 Manual control

REMOTE CONTROL FUNCTIONS

■ Remote control features work seamlessly with manual control panel functions.



6 BUTTONS REMOTE

POWER


This button will not only put the insert in a standby mode, but also you can see the flame effect through the screen. This will turn off all functions at once. By pressing the button again the unit will turn on at the same settings.

HEATER /

This button will turn on the power to the heater and blower.

The HEATER switch has two options  and .

Button  will activate the heater on the low setting (750W).

Button  will activate the heater on the high setting (1500W).

As an important safety feature, the fan blower will continue to run for several seconds after the heater is turned off.

HEATER OFF

This button will turn off the heater and blower.

FLAME /




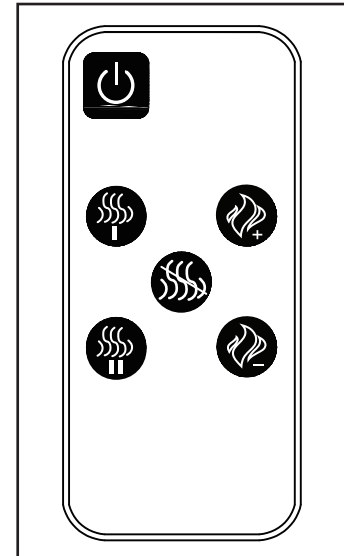
Allows you to adjust the flame to suit your mood. Press button  to increase flame brightness and press button  to decrease flame brightness. You must press the button  several times to see the full flame effect.

FIGURE 3



NOTE: PLEASE OPERATE REMOTE AT A SLOW, CONTROLLED PACE. DEPRESS THE REMOTE CONTROL BUTTONS WITH AN EVEN MOTION AND GENTLE PRESSURE. REPEATEDLY PRESSING BUTTONS IN RAPID SUCCESSION MAY CAUSE THE TRANSMITTER TO MALFUNCTION.

MAINTENANCE

Periodic cleaning/vacuuming of the fan/heater unit is recommended. Make sure the unit is turned OFF and unplugged whenever you are cleaning the heater or fireplace.



WARNING: Make sure the power is turned off before proceeding. Any electrical repairs or rewiring of this unit should be carried out by a licensed electrical in accordance with national and local codes.

If repairing or replacing any electrical component or wiring, the original wire routing, colour coding and securing locations must be followed.



WARNING: Electrical outlet wiring must comply with local building codes and other applicable regulations to reduce the risk of fire, electrical shock and injury to persons.



WARNING: Do not use this fireplace if any part of it has been under water. Immediately call a qualified service technician to inspect the fireplace and replace any part of the electrical system.



WARNING: Disconnect power before attempting any maintenance or cleaning to reduce the risk of fire, electrical shock or personal injury.

WARNING – TO REDUCE THE RISK OF FIRE

- 1) Always plug heaters directly into a wall outlet/receptacle. Never use with an extension cord or relocatable power tap (outlet/power strip).
- 2) Check your heater cord and plug connections. A loose fitting outlet can cause the plug to overheat and/or cause a fire. Be sure plug fits tight in the outlet. Check frequently during use to make sure plug and outlet are not hot. If so, discontinue using heater and have outlet replaced by a qualified electrician.

Note: Heaters draw more current than small appliances, overheating of the outlet may occur even if it has not occurred with the other appliances.

- 3) Always unplug heater when not in use.
- 4) Do not operate heater with a damaged cord or plug or after the heater malfunctions, has been dropped or damaged in any manner. Discard heater or return to an authorized service facility for examination and/or repair.
- 5) Do not run cord under carpeting. Do not cover cord with throw rugs, runners, or similar coverings. Do not route cord under furniture or appliances. Arrange cord away from traffic area and where it will not be tripped over.
- 6) Do not place any objects such as furniture, papers, clothes, and curtains closer than 3 feet (0.9 m) to the front of the heater and keep them away from the sides and rear when the heater is plugged in.
- 7) Do not place the heater near a bed because objects such as pillows or blankets can fall off the bed and be ignited by the heater.