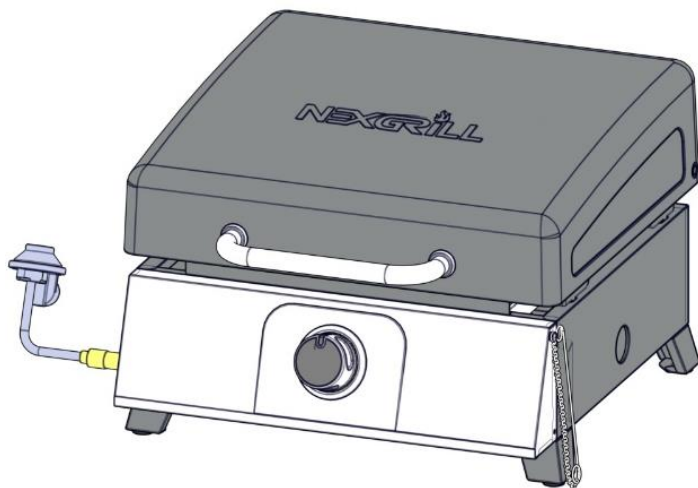




OWNER'S GUIDE GUIDE DU PROPRIÉTAIRE GUÍA DEL PROPIETARIO



**1 BURNER
GAS GRIDDLE**

**PLAQUE DE CUISSON
À 1 BRÛLEUR**

**PLANCHA DE
1 QUEMADOR**



Model/Modèle/Modelo: 820-0081

- This instruction manual contains important information necessary for the proper assembly and safe use of the appliance.
- Read and follow all warnings and instructions before assembling and using the appliance.
- Follow all warnings and instructions when using the appliance.
- Keep this manual for future reference.

- Ce manuel d'instructions contient d'importantes informations essentielles à un assemblage approprié et sécuritaire de l'appareil.
- Lire et respecter tous les avertissements et toutes les instructions avant l'assemblage et l'utilisation de l'appareil.
- Suivre toutes les mises en garde et toutes les instructions lors de l'utilisation de l'appareil.
- Conserver ce manuel à titre de référence ultérieure.

- El presente manual de instrucciones contiene información importante que lo ayudará a armar el dispositivo correctamente y a utilizarlo de manera segura.
- Antes de armar y utilizar el dispositivo, lea y siga todas las advertencias e instrucciones.
- Siga todas las advertencias e instrucciones al usar el aparato.
- Conserve el presente manual para consultas futuras.

Table of Contents / Mesures de sécurité / Índice

| | | | | | |
|-----------------------------|-------|---|-------|----------------------------------|-------|
| Safety Instructions..... | 2-4 | Mesures de Sécurité..... | 20-22 | Instrucciones de Seguridad..... | 32-34 |
| Package Part List | 5 | Liste des Pièces..... | 5 | Lista de Piezas | 5 |
| Hardware Package..... | 6 | Package matériel | 6 | Paquete de Componentes..... | 6 |
| Assembly Steps | 7-11 | Étapes d'assemblage | 7-11 | Pasos de Montaje | 7-11 |
| Operating Instructions..... | 12-14 | Mode d'emploi | 23-25 | Instrucciones de Operación | 35-37 |
| Seasoning Your Griddle.... | 14 | Assaisonner votre plaque chauffante | 26 | Sazonando su plancha..... | 38 |
| Care & Maintenance | 15-16 | Soins et entretien | 26-28 | Cuidado Y Mantenimiento ... | 38-40 |
| Exploded View..... | 17 | Vue éclatée..... | 29 | Vista en Detalle..... | 41 |
| Replacement Parts..... | 18 | Pièces de rechange..... | 30 | Piezas de Repuesto..... | 42 |
| Limited Warranty..... | 19 | Garantie limitée..... | 31 | Garantía Limitada..... | 43 |

Safety Instructions

DANGER

If you smell gas:

1. Shut off gas to the appliance.
2. Extinguish any open flame.
3. Open lid.
4. If odor continues, keep away from the appliance and immediately call your gas supplier or your fire department.

Failure to follow these instructions could result in fire, explosion or burn hazard, which could cause property damage, personal injury or death.

DANGER

1. Never operate this appliance unattended.
2. Never operate this appliance within 3.05 m / 10 ft. of any structure, combustible material or other gas cylinder.
3. Never operate this appliance within 7.62 m / 25 ft. of any flammable liquid.
4. This appliance is not intended for and should never be used as a heater.
5. If a fire should occur, keep away from the appliance and immediately call your fire department. Do not attempt to extinguish an oil or grease fire with water.

Failure to follow these instructions could result in fire, explosion or burn hazard, which could cause property damage, personal injury or death.

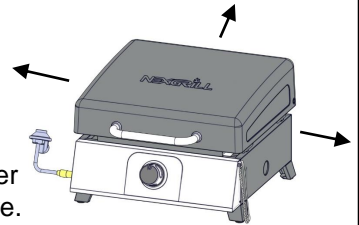
Safety Instructions

THIS GAS APPLIANCE IS DESIGNED FOR OUTDOOR USE ONLY

Read the following instructions carefully before attempting to assemble, operate or install the product. Failure to follow these instructions may result in serious bodily injury and/or property damage. If you have questions regarding the product, please call our customer service department at: 1-800-913-8999 (USA), 1-800-648-5864 (Canada), or 1-909-598-1812 (International). Languages spoken: English, French, and Spanish 8 a.m.-5 p.m. PST Monday-Friday. You can also reach us by email at: CustomerService@grillservices.com.

LP gas supply cylinder to be used must be constructed and marked in accordance with the specifications for LP gas cylinders of the U.S. Department of Transportation (DOT) or the National Standard of Canada, CAN-B339, Cylinders, Spheres and Tubes for the Transportation of Dangerous Goods.

1. The installation must conform with local codes or, in the absence of local codes, with the National Fuel Gas Codes, the National Fuel Gas Code, ANSI Z223.1/NFPA 54, Storage and Handling of Liquefied Petroleum Gases, ANSI/NFPA 58, or the Standard for Recreational Vehicles, ANSI A119.2/NFPA 1192, and the Recreational Vehicle Code, CSA Z240 RV, as applicable.
2. Tabletop griddle is for outdoor use only. Griddle should be operated in a well-ventilated space. Never operate in an enclosed space, garage or building. This outdoor cooking gas appliance is not intended to be installed in or on boats, and other recreational vehicles.
3. Heated liquids remain at scalding temperatures long after the cooking process. Do not touch the cooking appliance until liquids have cooled to 46.11 °C (115 °F) or lower.
4. Do not install or use griddle within 91.44 cm (36 in) of combustible materials from back and sides of griddle. Griddle shall not be located under overhead surfaces (closed carport, garage, porch, patio) that can catch fire.
5. Never attempt to attach this griddle to the self-contained LP gas system of a camper trailer or motor home.
6. It is the responsibility of the assembler/owner to assemble, install and maintain gas grill. Do not let children and pets operate or play near your tabletop griddle. Failure to follow these instructions could result in serious personal injury and/or property damage.
7. Remove lid before lighting griddle. When griddle is not in use, turn off control knob on LP gas cylinder.
8. Carefully follow instructions in this manual for proper assembly and leak-testing of your griddle. Do not use griddle until leak checked. If leak is detected at any time, it must be stopped and corrected before using griddle further.
9. Appliance area should be kept clear and free from combustible materials, gasoline, bottled gas in any form and other flammable vapors and liquids. Do not obstruct flow of combustion and ventilation air.
10. Never try to light griddle with lid closed! Buildup of gases is very dangerous and could cause an explosion.
11. Keep any electrical cord or fuel supply hose away from heated surfaces.
12. Propane is a flammable gas and improper handling may result in explosion and/or fire and serious accident or injury.
13. This appliance will be hot during and after use. Use insulated oven mitts or gloves for protection from hot surfaces or splatter from cooking liquids.
14. Do not leave your griddle unattended while in operation.
15. Do not use while under the influence of drugs or alcohol.
16. Do not store any spare LP (propane) cylinder, full or empty, under or near your griddle.
17. Appliance is not intended for commercial use or rental.
18. The cylinder must be disconnected when the appliance is not in use.



NATURAL HAZARD • SPIDERS

FACT: Sometimes spiders and other small insects climb into the burner tube. The spiders spin webs, build nests and lay eggs. The webs or nests can be very small, but they are very strong and can block the flow of gas. Clean burner prior to use after storing, at the beginning of grilling season or after a period of one month not being used.



Safety Instructions

The Fuel System:

Gas griddles are used safely by millions of people when following simple safety precautions.

The items in the fuel system are designed for operation with this griddle. They must not be replaced with any other brand. (See parts list for replacement items.)

GAS BURNER: The gas burner is constructed of stainless steel and should not require maintenance other than inspection for insects/nests inside the air intake slots.

LP GAS REGULATOR CAUTION:

The gas pressure regulator provided with this appliance must be used. This regulator is equipped with the required orifice and is set for the required outlet pressure for this appliance. This combination of orifice size and pressure regulation specifications provides the cooking performance intended by Nexgrill Tabletop Grill. Substitution of regulator by any other device or any other manufacturer is dangerous and could result in serious injury.

PROPANE FUEL: Warning - propane is a flammable gas. Improper handling may result in an explosion and/or fire and serious accident or injury. Your griddle is designed to operate with propane (LP) gas only and is equipped with the proper orifice for propane gas.

Caution: Do not connect this griddle with any gas supply other than propane. Propane gas is heavier than air and settles in lower areas. Make certain adequate ventilation is available when using your griddle. The gas cylinder may be stored outside in a well-ventilated area out of the reach of children when the griddle is not in use.

The LP gas cylinder shall be used only outdoors in a well-ventilated space and not in a building, garage, or any other enclosed area. The griddle may be stored indoors if the LP gas cylinder is removed and stored outdoors. The LP gas cylinder (not included) is threaded for connection directly to the gas regulator supplied with this appliance. Care should be taken when threading the cylinder to the regulator to engage threads correctly to achieve the proper and intended connection. When disconnecting or connecting the gas cylinder, be careful that the regulator does not strike the griddle, the ground, or any other surfaces. Replace the protective cap over the threaded cylinder connection when removed from griddle. If any difficulty occurs when connecting or disconnecting the cylinder to the regulator assembly, contact your local gas supplier for assistance.

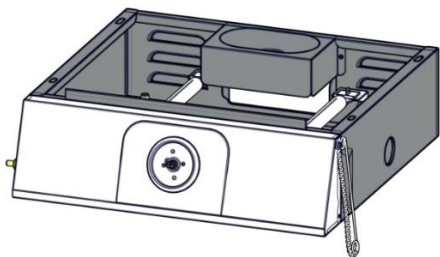
When reconnecting the LP gas cylinder to the regulator, be sure to hand-tighten until snug. This connection should be inspected for damage and leak-tested after each reconnection.

To Do a Leak Test, make a soap solution of one part liquid detergent and one part water. You will need a spray bottle, brush, or rag to apply the solution to the fitting. Bubbles indicate leaks.

Check all gas supply fittings for leaks before each use. Do not use the griddle until all connections have been checked and do not leak.

Package Parts List
Liste des pièces de l'emballage
Lista de contenido del paquete

1



2

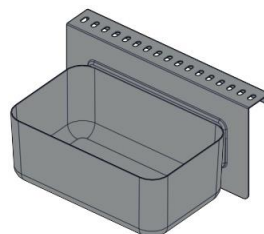
x4



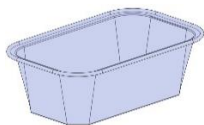
3



4



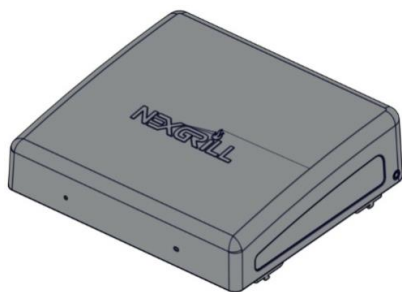
5



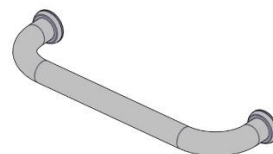
6



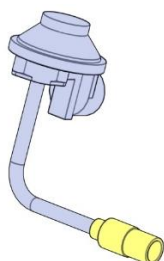
7



8

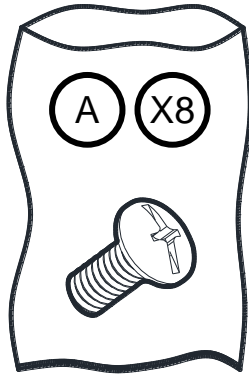


9

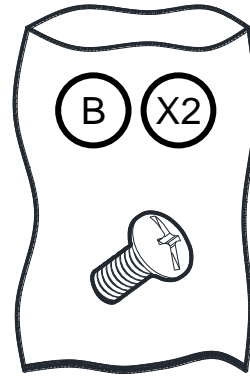


Hardware package list
Liste des vis de l'emballage
Lista de tornillos del paquete

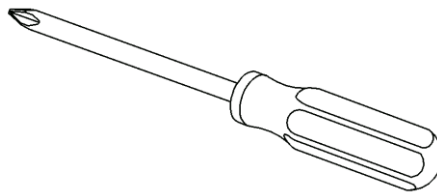
Truss head screw
(1/4-20x1/2)
Vis cruciform
(1/4-20x1/2)
Tornillo de cabeza ovalada
(1/4-20x1/2)



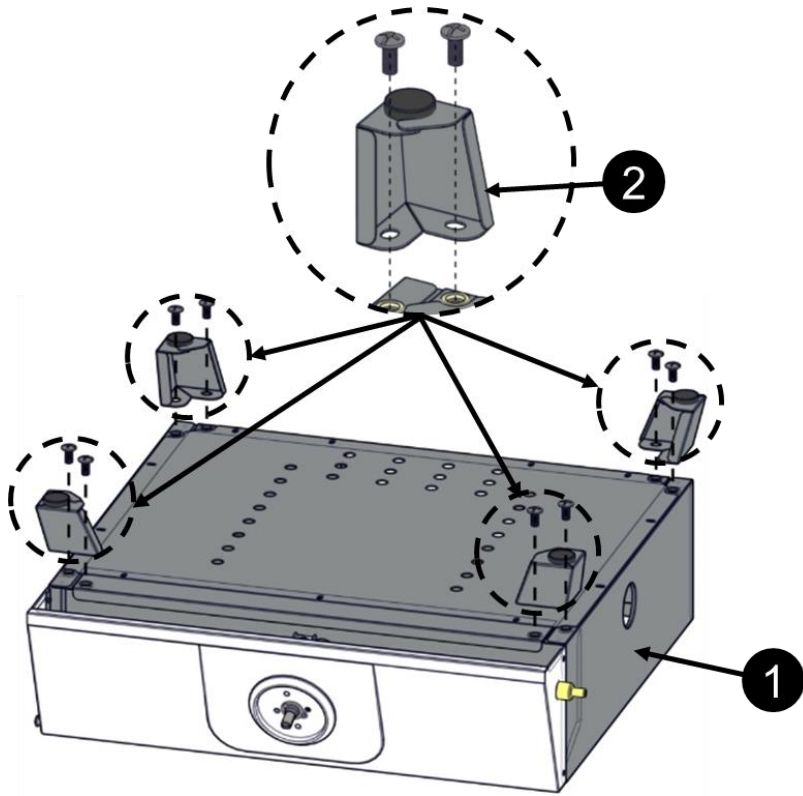
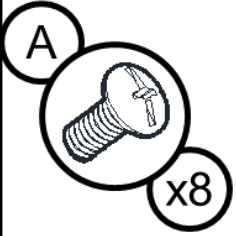
Truss head screw
(5/32-32x25/64)
Vis cruciform
(5/32-32x25/64)
Tornillo de cabeza ovalada
(5/32-32x25/64)



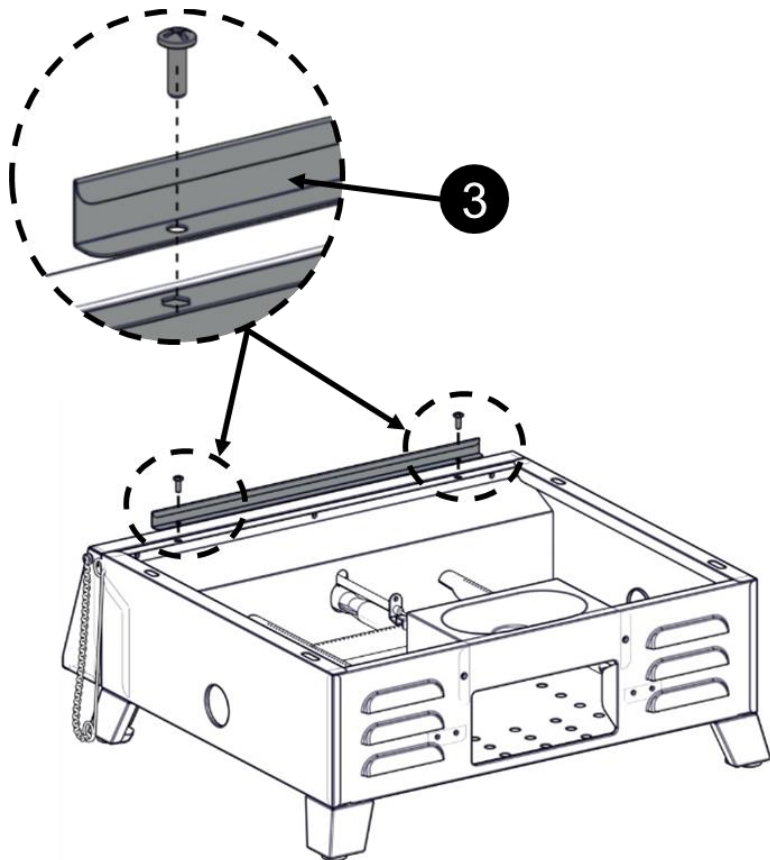
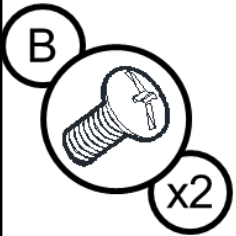
Tools Needed
Outilsage Requis
Herramientas necesarias



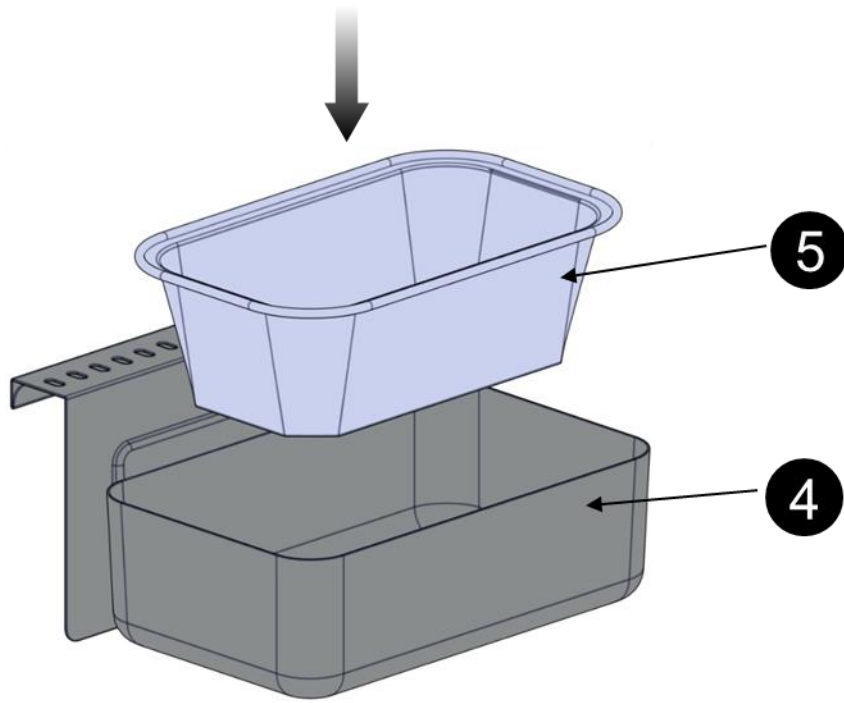
1



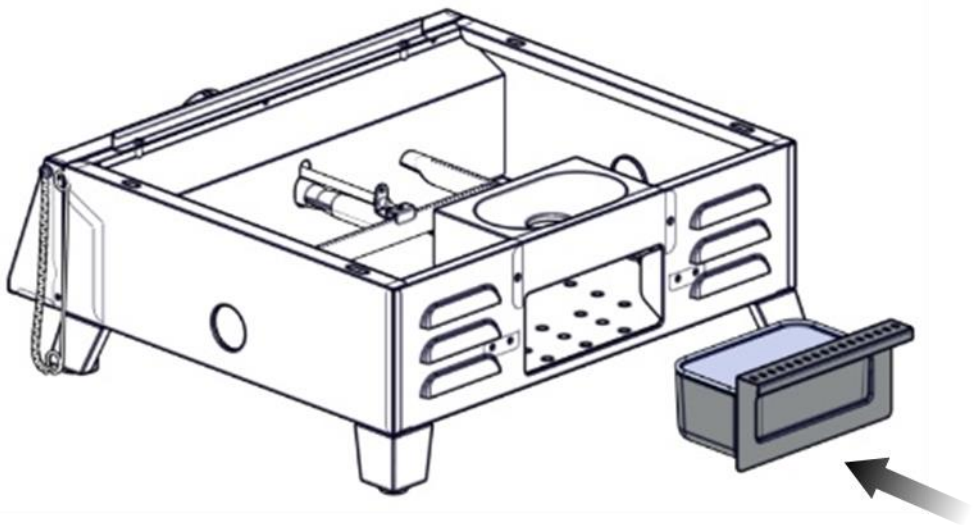
2



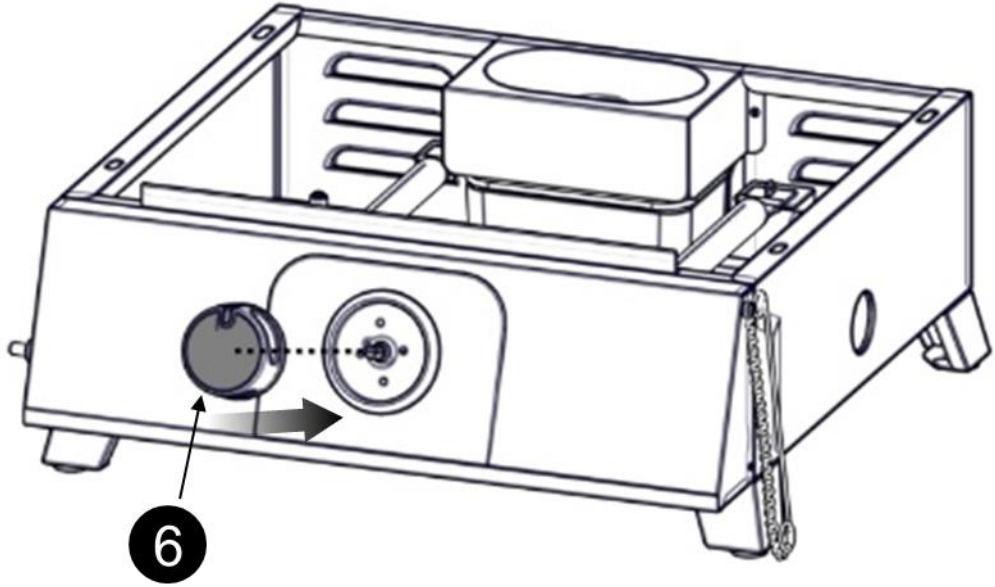
3



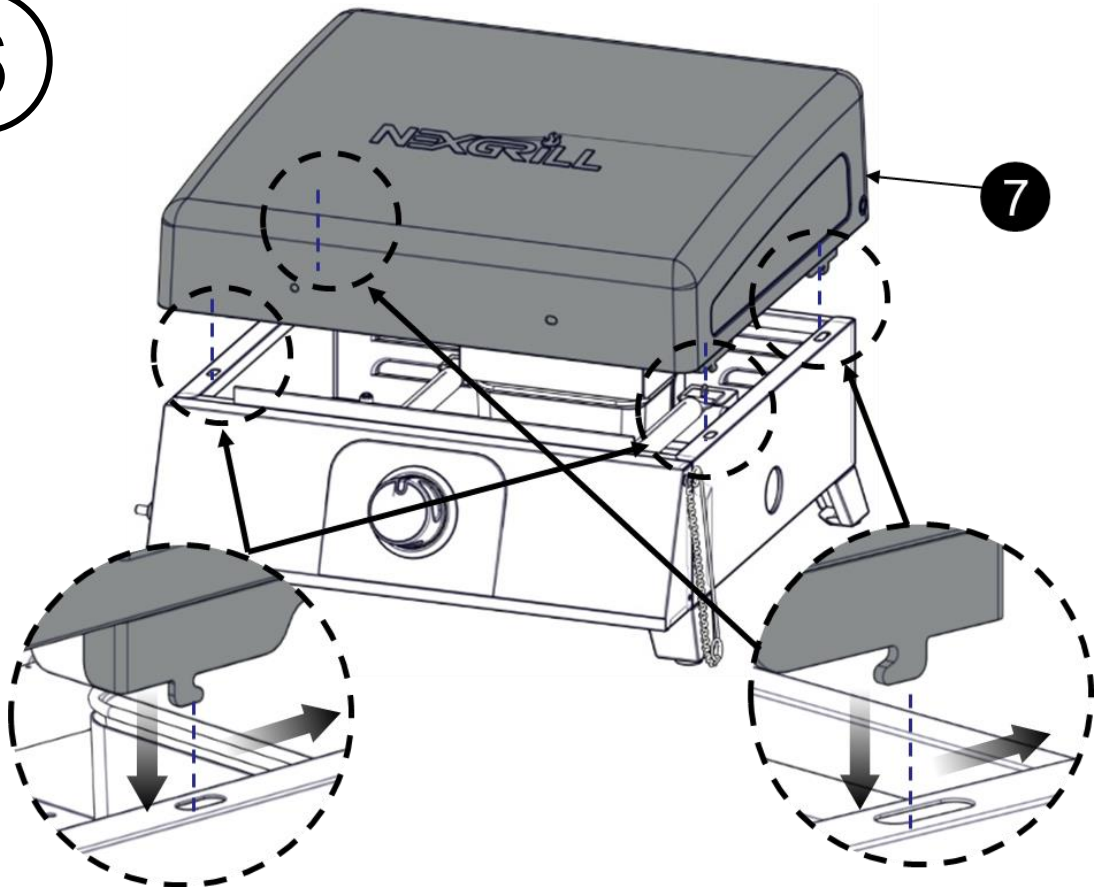
4



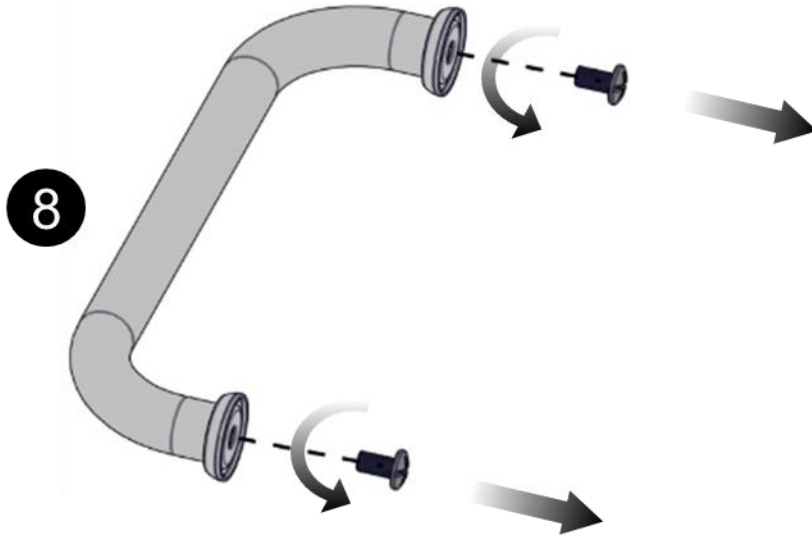
5



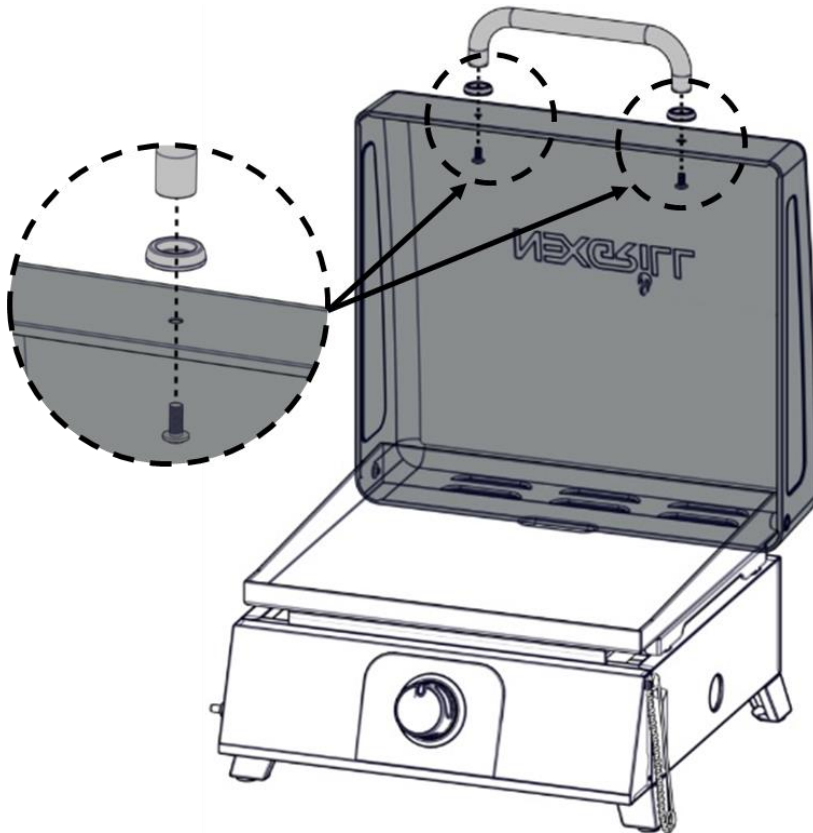
6



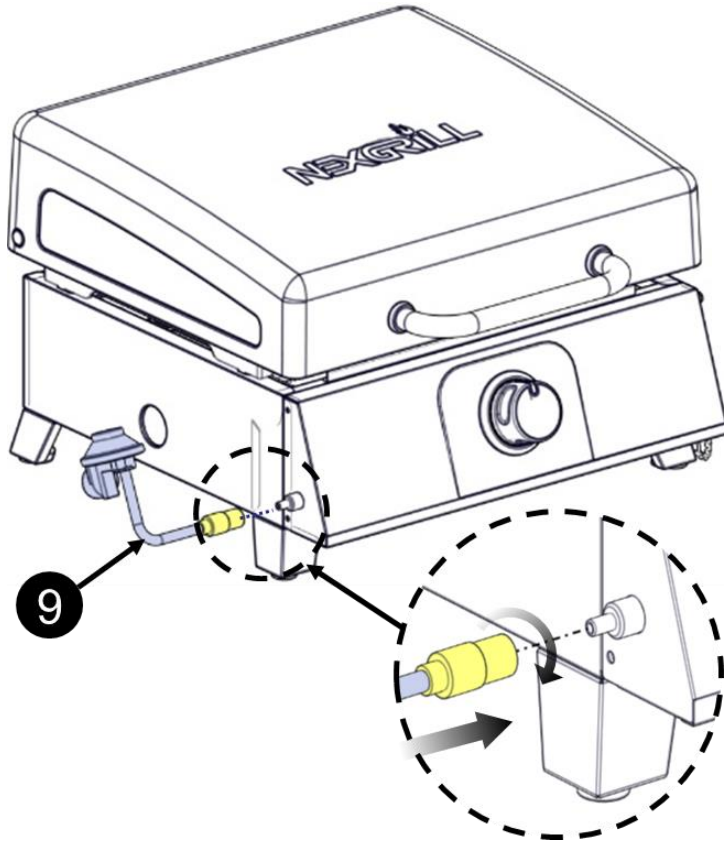
7



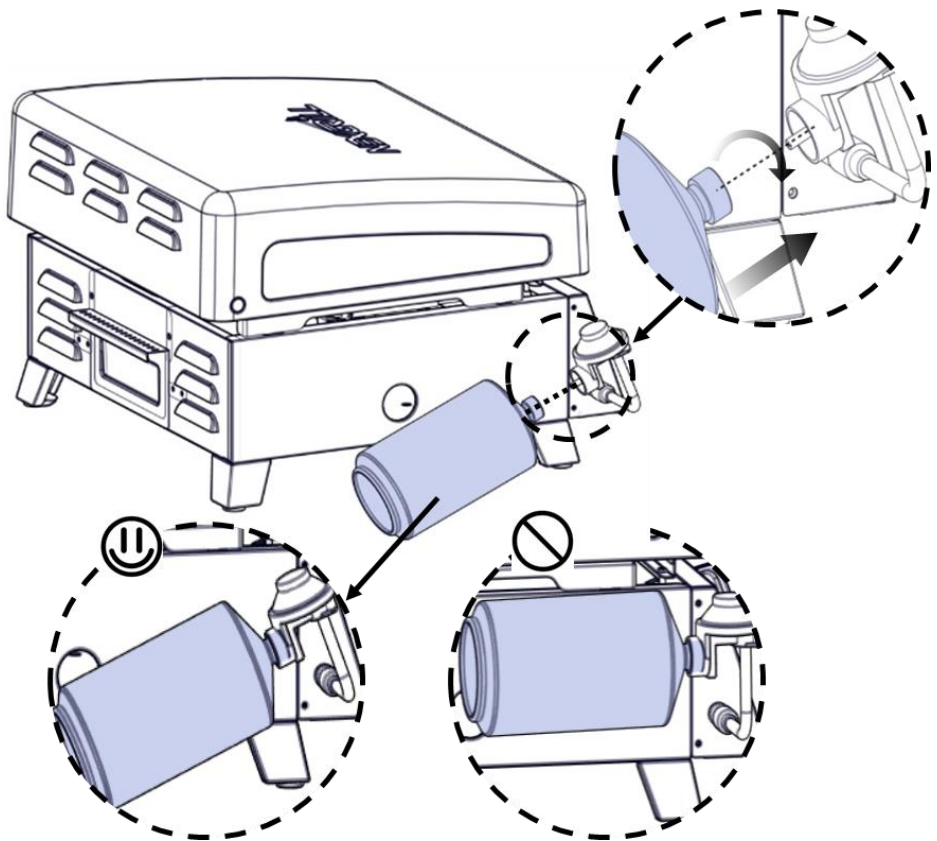
8



9



10 !



Operating instructions

GAS HOOK-UP

Only the pressure regulator and hose assembly supplied with the griddle should be used. Any replacement pressure regulator and hose assembly must be specified by the griddle manufacturer. This griddle is configured for liquid propane. Do not use a natural gas supply.

Total gas consumption (per hour) with burner set on high:

| | |
|-------------|----------------|
| Main burner | 12,000 BTU/Hr. |
| Total | 12,000 BTU/Hr. |

The installation of this appliance must conform with local codes or, in the absence of local codes, with either the National Fuel Gas Code, ANSI Z223.1/NFPA 54, National Gas Propane Installation Code, CSA B149.1, or Propane Storage and Handling Code.

LIQUID PROPANE CYLINDER REQUIREMENTS

(1 lb. Cylinder)

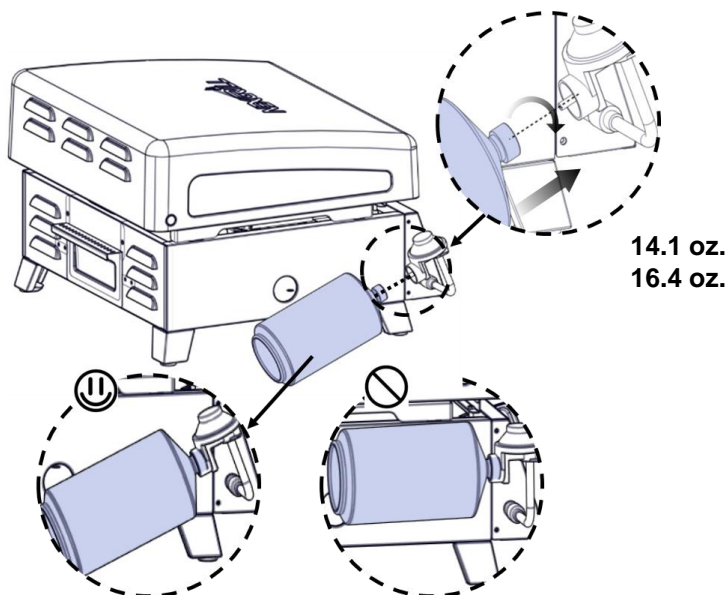
A dented or rusty liquid propane cylinder may be hazardous and should be checked by your supplier. Never use a cylinder with a damaged valve. The liquid propane cylinder must be constructed and marked in accordance with the specifications for liquid propane cylinders by the United States Department of Transportation (DOT) or the National Standard of Canada, CAN/CSA-B339, Cylinders, Spheres and Tubes for Transportation of Dangerous Goods Commission.

Use disposable LP cylinders with a capacity of either 14.1 oz. or 16.4 oz. equipped with a CGA #600 connection.

⚠ CAUTION: Use cylinders that are marked "Propane Fuel" only.

1. Make sure burner control knob is turned off by pushing it in and turning it clockwise to the off position.
2. While holding carrying handle closest to propane cylinder with one hand, push propane cylinder into regulator and turn clockwise until tight.
3. Storage of an outdoor cooking gas appliance indoors is permissible only if the cylinder is disconnected and removed from the outdoor cooking gas appliance. The cylinder system must be arranged for vapor withdrawal. The cylinder must include a collar to protect the cylinder valve.

Manifold pressure: (operating) 11 inch water column (2.74 kPa), (non-operating) 11.2 inch water column (2.79 kPa).



Operating instructions

CONNECTING THE LIQUID PROPANE CYLINDER

To connect the liquid propane gas supply cylinder:

The cylinder valve should be in the off position. If not, turn the valve clockwise until it stops.

Make sure the cylinder valve has the proper type-1 external male thread connections per ANSI Z21.81.

Make sure the burner valves are in the off position.


Inspect the valve connections, port and regulator assembly. Remove debris and inspect the hose for damage.

When connecting the regulator assembly to the valve, use your hand to tighten the nut clockwise until it stops. Use of a wrench could damage the quick-coupling nut and result in a hazardous situation.

Open the cylinder valve fully by turning the valve counterclockwise.

Before lighting the griddle, use a soap and water solution to check all the connections for leaks.

If a leak is found, turn the cylinder valve off and do not use the griddle until a local liquid propane dealer can make repairs.

 Never attempt to use damaged or obstructed equipment. See your local liquid propane dealer for repair.

DISCONNECTING THE LIQUID PROPANE CYLINDER

Turn the griddle burner valves off and make sure the griddle is cool.

Turn the liquid propane cylinder valve off by turning clockwise until it stops.

Detach the regulator assembly from the cylinder valve by turning the quick-coupling nut counterclockwise.

Place dust cap on cylinder valve outlet whenever the cylinder is not in use. Only install the type of dust cap on the cylinder valve outlet that is provided with the cylinder valve. Other types of caps or plugs may result in leakage of propane.

LEAK TESTING

GENERAL

Although gas connections on the griddle are leak-tested prior to shipment, a complete leak test must be performed at the installation site. Before each use, check all gas connections for leaks using the procedures listed below.

If the smell of gas is detected at any time, you should immediately check the entire system for leaks.

BEFORE TESTING

Make sure all packing materials have been removed from the griddle, including any burner tie-down straps.

WARNING

Check all gas supply fittings for leaks before each use. Do not use the griddle until all connections have been checked and do not leak. Do not smoke while leak-testing. Never leak-test with an open flame.

Make a solution of one part liquid detergent and one part water. You will need a spray bottle, brush, or rag to apply the solution to the fittings. For the initial leak test, make sure the liquid propane cylinder is full.

TO TEST

1. Turn the burner valve off.
2. Apply the soap solution to all gas fittings. Soap bubbles will appear where a leak is present.
3. If a leak is present, immediately turn the gas supply off and tighten leaky fittings.
4. Turn the gas back "ON" and recheck.
5. Should the gas continue to leak from any of the fittings, turn the gas supply off and contact our Customer Service Department at U.S.A:1-800-913-8999, 8 a.m. - 5 p.m., PST, Monday-Friday.
6. If there is evidence of excessive abrasion or wear, it must be replaced prior to the outdoor cooking gas appliance being put into operation.
7. Only those parts recommended by the manufacturer should be used on the griddle. Substitutions will void the warranty.

WARNING

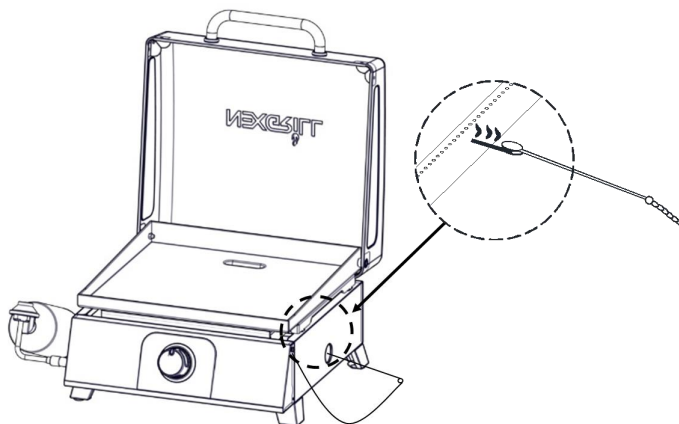
Do not store griddle indoors unless the cylinder is disconnected. Do not store cylinder in a building, garage, or any other enclosed area, and keep out of reach of children at all times.

Operating instructions

LIGHTING THE GRIDDLE

1. Make sure the propane cylinder is tightly threaded into the regulator (hand-tighten only).
2. Open lid. Always open lid when lighting.
3. Push and turn the control knob slowly to high. The burner should light immediately.
4. With burner lit, gently close the lid and allow the griddle to warm up for 5-10 minutes prior to use.
5. If ignition does not occur within 3-5 seconds, turn the control knob off. Wait 5 minutes before attempting to re-light the griddle. If the griddle fails to ignite after the second attempt, call our Customer Service Department at U.S.A:1-800-913-8999.

Note: If the knob can't spark, insert a match. Ignite the match and insert through a hole on the left of the firebox, as shown below.



TURNING THE GRIDDLE OFF

1. Turn the regulator knob to off position.

Caution: Do not attempt to re-light the griddle without following all the lighting instructions. Allow the griddle body to cool at least 30 minutes, and remove the propane tank, before attempting to move or transport.

Seasoning Your Griddle

IMPORTANCE OF GRIDDLE SEASONING

It is very important to maintain a seasoned griddle surface in order to maintain optimum performance and long life of the unit. Seasoning your griddle serves two purposes:

- a) It prevents rust and corrosion.
- b) It creates a permanent non-stick cooking surface.

Seasoning is a process that continuously improves throughout the life of your griddle. Proper care and maintenance as well as seasoning after each use will result in a better cooking experience.

FIRST TIME USE

Your griddle comes pre-seasoned with a coating of cooking oil to prevent corrosion and damage during the shipping process. Before using your griddle for the first time, wash the top and insides of the griddle surface with hot, soapy water. Never use soap on your griddle AFTER FIRST USE. Rinse and dry completely then continue to seasoning steps.

SEASONING YOUR GRIDDLE

1. Thoroughly clean off food residue.
2. Evenly apply a generous amount of cooking oil (flax seed, olive, vegetable, etc.) to the hot griddle surface.
3. Using a paper towel, carefully spread cooking oil to entire hot griddle surface.
4. Allow griddle to cool completely before storing in a cool, dry place.

AFTER EACH USE

To clean your griddle following each use, gently scrape any remaining food residue with a spatula and wipe with a towel. To remove stuck food, pour hot water onto griddle surface to loosen residue or use ¼ cup of table salt to act as an abrasive. Next, follow steps for "SEASONING YOUR GRIDDLE".

Care and Maintenance

There is very little care and maintenance needed. The griddle is designed and made of materials that will last many years with normal use. Following these instructions will improve the longevity of the griddle and quality of cooking. To ensure safe operation of your griddle, the area of cooking should always be kept free of combustible materials of any type, such as gasoline or other flammable vapors or liquids.

Outside Griddle Parts – Can be cleaned easily with warm soapy water.

Grease Cup – Can be cleaned easily with warm soapy water.

Caution: The grease cup must be kept clean and free of heavy buildup for the grill to perform properly and to eliminate flare-ups.

Main Burner – Extreme care should be taken when removing a burner. It must be correctly centered on the orifice before any attempt is made to relight the griddle. Frequency of cleaning will depend on how often you use the griddle. Failure to properly place the burner back into position could cause a fire to occur, thereby damaging the griddle and making it unsafe to operate.

Before cleaning, make sure the gas supply and regulator knob are in the off position and the burner have cooled. To remove the main burner for cleaning:

1. Remove the regulator assembly from the burner end.
2. Locate the burner screw inside the firebox.
3. Remove the screw and slide the burner out of the firebox.

To clean the griddle burner:

1. Clean the exterior of the burner with a wire brush. Use a metal scraper for stubborn stains or debris.
2. Clear clogged ports with a straightened paper clip. Never use a wooden toothpick as it may break off and clog the port.
3. Check and clean burner / venturi tube for insects and insect nests. A clogged tube can lead to a fire beneath, and behind the main control panel.

To reinstall the main burner:

1. Insert the burner into the firebox.
2. Align the burner screw hole with the firebox hole, insert screw and tighten.
3. Reinstall the regulator assembly onto the burner end.

Firebox – Use warm soapy water to clean this area. Do not allow grease to build up.

Drain Hole – The drain hole must be kept clear of grease and food particles to allow drippings to drain properly into the grease tray. This must be done to maintain proper operation of your griddle.

General – This griddle, like all equipment, will look better and last longer if kept out of the weather when not in use.

Caution: Do not store propane cylinders in enclosed areas. When using a cover or moving the griddle, always wait until the griddle has cooled for at least 30 minutes.

- Do not obstruct the flow of combustion and ventilation air.
- A clogged tube can lead to a fire beneath the appliance.

This unit must be kept in an area free from combustible materials, gasoline and other flammable vapors and liquids.

Make sure all openings into the griddle body are free of blockages or debris and there are no objects or materials blocking the flow of combustion or ventilation. Make sure the legs are in the up position when using the griddle.

Check burner air inlet openings (behind the inlet guard on the right end of the griddle body) for insect nests or blockages. Make sure the slots in the burner tube are clear.

When the griddle is not in use, turn the control knob to the off position and remove the propane cylinder from the regulator. Remove the regulator from the burner.

For outdoor use only, if stored indoors, detach propane cylinder and store outdoors. Propane cylinders must be stored out of reach of children.

Care and Maintenance

THIS COOKING APPLIANCE IS FOR OUTDOOR USE ONLY AND SHALL NOT BE USED IN A BUILDING, GARAGE OR ANY OTHER ENCLOSED AREA.

MOVING INSTRUCTIONS

- **Caution:** Never move the griddle with burner lit.
- Make sure control knob is in the off position. Disconnect the propane cylinder from the regulator.
- Be sure the griddle has completely cooled for at least 30 minutes.
- Note: It is best to leave the grease tray in place attached to the bottom of the griddle; some grease may continue to drip from drain hole during transport.

WARNING

Spiders and insects can nest inside the burner of the griddle and disrupt gas flow. This very dangerous condition could cause a fire behind the valve panel, thereby damaging the griddle and making it unsafe for operation. Inspect the griddle at least twice a year.

When to Look for Spiders

You should inspect the burner at least twice a year or immediately after any of the following conditions occur:

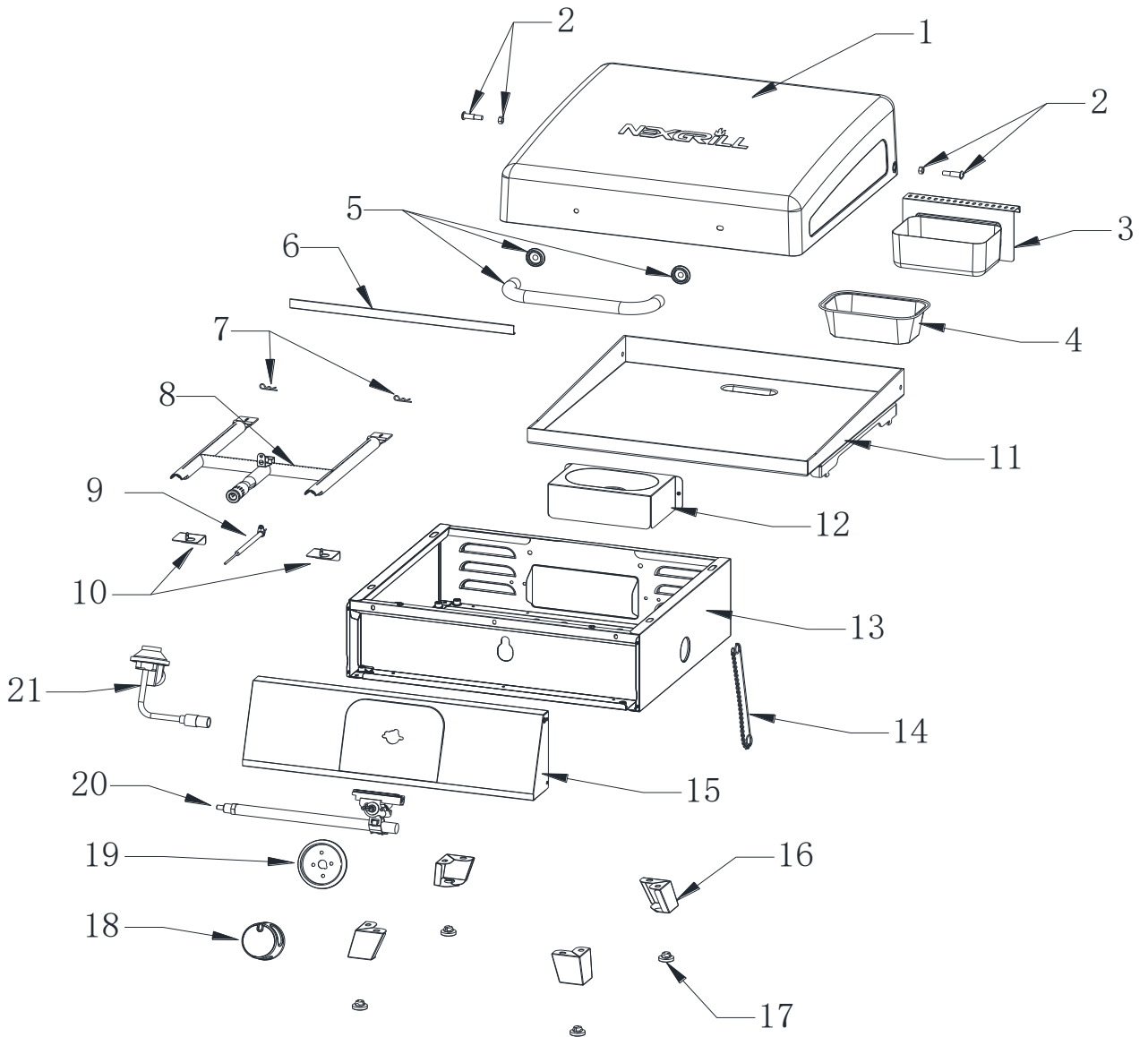
1. Gas can be smelled in conjunction with burner flames appearing yellow.
2. The griddle does not reach temperature.
3. The griddle heats unevenly.
4. The burner makes popping noises.

Troubleshooting

| Problem | What To Do |
|--|--|
| Griddle will not light. | <ul style="list-style-type: none">• Check to see if the liquid propane cylinder is empty.• Check burner ports for any blockage. Use a soft wire brush to clear plugged ports.• Check the gas orifice on the burner for an obstruction. If orifice is blocked, clean with a needle or thin wire. NEVER USE A WOODEN TOOTHPICK. |
| Burner flame is yellow or orange in conjunction with gas odor. | <ul style="list-style-type: none">• Check for spiders and insects.• Call our Customer Service Department at U.S.A:1-800-913-8999, 8 a.m. - 5 p.m., PST, Monday-Friday |
| Low heat with the control knob on the "HIGH" setting. | <ul style="list-style-type: none">• Make sure the griddle area is clear of dust.• Make sure the burner and orifice are clean.• Check for spiders and insects.• Is there adequate gas supply available?• Is the griddle being preheated for 15 minutes? |

If the griddle is not working properly, perform each check of the following list before contacting customer service.

Exploded View



Questions, problems, missing parts? Before returning to your retailer, call our Customer Service Department at U.S.A.: 1-800-913-8999, 8 a.m. - 5 p.m., PST, Monday-Friday.

Replacement Parts

| No. | Part (Description) | Warranty coverage (years) | Qty | No. | Part (Description) | Warranty coverage (years) | Qty |
|-----|--------------------------|---------------------------|-----|-----|-----------------------------|---------------------------|-----|
| 1 | Main Lid | 1 | 1 | 12 | Grease Cup Heat Shield | 1 | 1 |
| 2 | Main Lid Screws Assembly | 1 | 2 | 13 | Fire Box Assembly | Non-replaceable | 1 |
| 3 | Grease Cup | 1 | 1 | 14 | Lighting Rod | 1 | 1 |
| 4 | Liner | 1 | 1 | 15 | Control Panel | 1 | 1 |
| 5 | Main Lid Handle | 1 | 1 | 16 | Cart Leg | 1 | 4 |
| 6 | Wind Shield | 1 | 1 | 17 | Leg Buffer | 1 | 4 |
| 7 | Burner Pin Assembly | 1 | 2 | 18 | Control Knob | 1 | 1 |
| 8 | Main Burner Assembly | 5 | 1 | 19 | Bezel | 1 | 1 |
| 9 | Main Burner Igniter Wire | 1 | 1 | 20 | Gas Valve and Main Manifold | 1 | 1 |
| 10 | Main Burner Bracket | 1 | 2 | 21 | LP Regulator | 1 | 1 |
| 11 | Griddle Plate | 1 | 1 | | Manual | | 1 |

Limited Warranty

Nexgrill warrants to the original consumer-purchaser only that this product (Model #820-BC002) shall be free from defects in workmanship and materials after correct assembly and under normal and reasonable home use for the periods indicated below beginning on the date of purchase. The manufacturer reserves the right to require photographic evidence of damage, or the return of defective parts, postage and or freight pre-paid by the consumer, for review and examination.

MAIN BURNER: 5 year LIMITED warranty against perforation.

GRIDDLE: 1 year LIMITED warranty; does not cover dropping, chipping, scratching, or surface damage.

ALL OTHER PARTS: 1 year LIMITED warranty (Includes, but is not limited to, valves, frame, housing, control panel, igniter, regulator, hoses) *Does not cover chipping, scratching, cracking surface corrosion, scratches or rust.

Upon consumer supplying proof of purchase as provided herein, Manufacturer will repair or replace the parts that are proven defective during the applicable warranty period. Parts required to complete such repair or replacement shall be free of charge to you except for shipping costs, as long as the purchaser is within the warranty period from the original date of purchase. The original consumer-purchaser will be responsible for all shipping charges of parts replaced under the terms of this limited warranty. This limited warranty is applicable in the United States and Canada, is only available to the original owner of the product and is not transferable. Manufacturer requires reasonable proof of your date of purchase. Therefore, you should retain your sales receipt and/or invoice. If the unit was received as a gift, please ask the gift-giver to send in the receipt on your behalf, to the below address. Defective or missing parts subject to this limited warranty will not be replaced without registration or proof of purchase. This limited warranty applies to the functionality of the product ONLY and does not cover cosmetic issues such as scratches, dents, corrosions or discolouring by heat, abrasive and chemical cleaners or any tools used in the assembly or installation of the appliance, surface rust, or the discolouration of stainless-steel surfaces. Surface rust, corrosion, or powder paint chipping on metal parts that does not affect the structural integrity of the product is not considered a defect in workmanship or material and is not covered by this warranty. This limited warranty will not reimburse you for the cost of any inconvenience, food, personal injury or property damage. If an original replacement part is not available, a comparable replacement part will be sent. You will be responsible for all shipping charges of parts replaced under the terms of this limited warranty.

ITEMS MANUFACTURER WILL NOT PAY FOR:

- Service calls to your home.
- Repairs when your product is used for other than normal, single-family household or residential use.
- Damage resulting from accident, alteration, misuse, lack of maintenance/cleaning, abuse, fire, flood, acts of God, improper installation, and installation not in accordance with electrical or plumbing codes or use of products not approved by the manufacturer.
- Any food loss due to product failures.
- Replacement parts or repair labour costs for units operated outside the United States or Canada.
- Pickup and delivery of your product.
- Postage fees or photo processing fees for photos sent in as documentation.
- Repairs to parts or systems resulting from unauthorized modifications made to the product.
- The removal and/or reinstallation of your product.
- Shipping cost, standard or expedited, for warranty/non-warranty and replacement parts.

DISCLAIMER OF IMPLIED WARRANTIES; LIMITATION OF REMEDIES

Repair or replacement of defective parts is your exclusive remedy under the terms of this limited warranty. Manufacturer will not be responsible for any consequential or incidental damages arising from the breach of either this limited warranty or any applicable implied warranty, or for failure or damage resulting from acts of God, improper care and maintenance, grease fire, accident, alteration, replacement of parts by anyone other than Manufacturer, misuse, transportation, commercial use, abuse, hostile environments (inclement weather, acts of nature, animal tampering), improper installation or installation not in accordance with local codes or printed manufacturer instructions.

THIS LIMITED WARRANTY IS THE SOLE EXPRESS WARRANTY GIVEN BY THE MANUFACTURER. NO PRODUCT PERFORMANCE SPECIFICATION OR DESCRIPTION WHEREVER APPEARING IS WARRANTED BY MANUFACTURER EXCEPT TO THE EXTENT SET FORTH IN THIS LIMITED WARRANTY. ANY IMPLIED WARRANTY PROTECTION ARISING UNDER THE LAWS OF ANY STATE OR PROVINCE, INCLUDING IMPLIED WARRANTY OF MERCHANTABILITY OR FITNESS FOR A PARTICULAR PURPOSE OR USE, IS HEREBY LIMITED IN DURATION TO THE DURATION OF THIS LIMITED WARRANTY.

Neither dealers nor the retail establishment selling this product has any authority to make any additional warranties or to promise remedies in addition to or inconsistent with those stated above. Manufacturer's maximum liability, in any event, shall not exceed the documented purchase price of the product paid by the original consumer. This warranty only applies to units purchased from an authorized retailer and or re-seller. NOTE: Some states and provinces do not allow an exclusion or limitation of incidental or consequential damages, so some of the above limitations or exclusions may not apply to you; this limited warranty gives you specific legal rights as set for herein. You may also have other rights, which vary from province to province.

If you wish to obtain performance of any obligation under this limited warranty, you should write to:

Nexgrill Customer Relations
14050 Laurelwood Place,
Chino, CA 91710

All consumer returns, parts orders, general questions, and troubleshooting assistance can be acquired by calling customer service department at: 1-800-913-8999 (USA), 1-800-648-5864 (Canada), or 1-909-598-1812 (International).
Languages spoken: English, French, and Spanish 8 a.m.-5 p.m. PST Monday-Friday.
CustomerService@grillservices.com

Mesures de sécurité

DANGER

Si vous sentez une odeur de gaz :

1. Coupez l'alimentation du gaz à l'appareil.
2. Éteignez toute flamme nue.
3. Soulevez le couvercle.
4. Si l'odeur persiste, tenez-vous à l'écart de l'appareil et contactez immédiatement votre fournisseur de gaz ou le service des pompiers.

La non-conformité aux présentes consignes peut avoir pour résultat un incendie, une explosion ou un risque de brûlures qui pourraient entraîner des lésions corporelles graves voire la mort ou des dommages matériels.

DANGER

1. Ne jamais utiliser cet appareil sans surveillance.
2. Ne jamais utiliser cet appareil dans les 3,05 m / 10 pi d'une structure, de matériel combustible ou autre bouteille de gaz.
3. Ne jamais utiliser cet appareil dans les 7,62 m / 25 pi de liquides inflammables.
4. Cet appareil n'est pas destiné à servir d'élément chauffant et ne doit pas être utilisé en tant que tel.
5. Si un incendie se déclenche, tenez-vous à l'écart de l'appareil et contactez immédiatement le service des pompiers. Ne pas essayer d'éteindre un incendie d'huile ou de graisse avec de l'eau.

La non-conformité aux présentes consignes peut avoir pour résultat un incendie, une explosion ou un risque de brûlures qui pourraient entraîner des lésions corporelles graves voire la mort ou des dommages matériels.

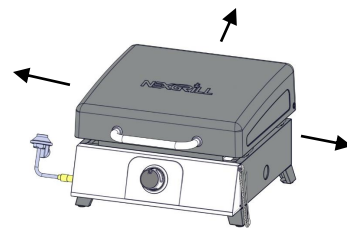
CET APPAREIL À GAZ EST CONÇU POUR UNE UTILISATION À L'EXTÉRIEUR SEULEMENT

Lire attentivement les consignes suivantes avant l'assemblage, l'utilisation ou l'installation du produit. Leur non-respect pourrait entraîner des blessures graves ou des dommages matériels. Adresser toute question à notre service à la clientèle, au 1-800-913-8999 (États-Unis), au 1-800-648-5864 (Canada) ou au 1-909-598-1812 (International) en semaine, entre 8 h et 17 h (heure du Pacifique; service en anglais, en français et en espagnol), ou par courriel à CustomerService@grillservices.com.

La bouteille de propane utilisée doit avoir été fabriquée et identifiée conformément aux exigences du département des Transports (D.O.T.) des États-Unis sur les bouteilles de propane, ou de la norme CAN/CSA-B339, Bouteilles à gaz cylindriques et sphériques et tubes pour le transport des marchandises dangereuses.

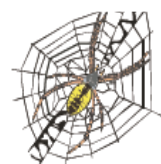
Mesures de sécurité

1. L'installation doit être conforme aux codes locaux ou, en l'absence de ces derniers, au code national de gaz de combustion ANSI Z223.1/NFPA 54, code d'entreposage et de manutention de gaz de pétrole liquéfié ANSI/NFPA 58 ou aux normes pour caravanes ANSI A119.2/NFPA 1192, et code pour caravanes CSA Z240 RV, selon le cas.
2. Le gril de dessus de table doit être utilisé à l'extérieur uniquement. Toujours utiliser le gril dans un endroit bien ventilé. Ne jamais utiliser le gril dans un espace clos, un garage ou un bâtiment. Cet appareil de cuisson à gaz pour extérieur n'est pas censé être installé dans ou sur des bateaux, ni sur d'autres véhicules récréatifs.
3. Les liquides chauffés restent à des températures de cuisson longtemps après la cuisson. Ne jamais toucher l'appareil de cuisson tant que les liquides ne se sont pas refroidis à une température de 46.11 °C (115 °F) ou moins.
4. Ne pas installer et ne pas utiliser le gril à moins de 91.44 cm (36 po) de matériaux combustibles de derrière et sur les côtés du gril. Le gril ne doit pas être placé sous des surfaces suspendues (abris à voitures, garage, porche, patio fermés) qui pourraient prendre feu.
5. Ne jamais attacher ce gril à un système de gaz PL autonome d'une caravane ou d'une autocaravane.
6. Il incombe à l'assembleur/propriétaire d'assembler, installer et entretenir le gril au gaz. Ne pas laisser les enfants utiliser votre gril et ne pas laisser non plus les enfants et les animaux domestiques jouer à proximité. Le non-respect de ces consignes peut entraîner des lésions corporelles graves ou des dommages matériels.
7. Enlever le couvercle avant d'allumer le gril. Lorsque le gril n'est pas utilisé, mettre le bouton de commande situé sur la bouteille de gaz PL sur arrêt désactivé.
8. Suivre soigneusement les consignes stipulées dans ce manuel afin de garantir un assemblage approprié et tester le gril afin de détecter les fuites. Ne pas utiliser le gril tant que l'inspection des fuites n'a pas été effectuée. Si des fuites sont détectées lors de l'inspection ou après, ne pas utiliser le gril avant d'avoir rectifié le problème.
9. La zone d'utilisation de l'appareil ne doit jamais comporter de matériaux combustibles, de l'essence, des bouteilles de gaz ni d'autres vapeurs et liquides inflammables. Ne pas bloquer le flux de l'air de combustion et de ventilation.
10. Ne jamais allumer le gril lorsque le couvercle est fermé. L'accumulation de gaz est très dangereuse et pourrait déclencher une explosion.
11. Maintenir les cordons électriques et le tuyau d'alimentation en combustible à l'écart de toute surface chauffante.
12. Le propane est un gaz inflammable et toute manipulation inappropriée peut déclencher une explosion ou un incendie et entraîner de sérieux accidents voire des blessures.
13. Cet appareil sera chaud pendant et après utilisation. Utiliser des gants isolés pour protection des surfaces chaudes ou des éclaboussures de liquides brûlants.
14. Ne pas laisser le gril sans surveillance pendant l'utilisation.
15. Ne pas utiliser sous l'influence de drogues ou d'alcool.
16. Ne pas entreposer de bouteilles de réserve PL (propane), pleines ou vides, sous ou près de votre gril.
17. L'appareil n'est pas destiné à un usage commercial ou pour location.
18. La bouteille doit être déconnectée lorsque l'appareil n'est pas utilisé.



NATURAL HAZARD • SPIDERS

FACT: Sometimes spiders and other small insects climb into the burner tube. The spiders spin webs, build nests and lay eggs. The webs or nests can be very small, but they are very strong and can block the flow of gas. Clean burner prior to use after storing, at the beginning of grilling season or after a period of one month not being used.



Mesures de sécurité

Le système de combustibles :

Les grils au gaz sont utilisés par des millions d'individus de manière sécurisée lorsqu'ils suivent de simples mesures de sécurité.

Les éléments dans le système de combustibles ont été conçus pour fonctionner avec ce gril. Ils ne doivent pas être remplacés par des éléments d'une autre marque. (Voir la liste des pièces de rechange.)

BRÛLEUR DE GAZ : le brûleur de gaz a été fabriqué en acier inoxydable et ne requiert pas de maintenance autre que l'inspection de détection d'insectes/nids à l'intérieur des bouches d'entrée d'air.

MISE EN GARDE RELATIVE AU RÉGULATEUR DU GAZ PL :

Le régulateur de pression de gaz fourni avec cet appareil doit être utilisé. Ce régulateur est muni d'un orifice requis et est réglé pour la pression de sortie requise pour cet appareil. Cette combinaison de spécifications de la taille de l'orifice et de la pression fournit la performance de cuisson anticipée pour le gril de dessus de table Nexgrill. La substitution du régulateur par un autre régulateur ou d'un autre fabricant est dangereuse et peut entraîner de graves blessures.

ALIMENTATION EN PROPANE : avertissement – le propane est un gaz inflammable. Toute manipulation inappropriée peut déclencher une explosion ou un incendie et entraîner de sérieux accidents voire des blessures. Votre gril a été conçu pour fonctionner avec du gaz propane (PL) uniquement et est équipé d'un orifice approprié pour le gaz propane.

Mise en garde : ne pas connecter ce gril avec une alimentation de gaz autre que le propane. Le gaz propane est plus lourd que l'air et se dépose dans les zones inférieures. S'assurer que la ventilation est adéquate lorsque vous utilisez le gril. La bouteille de gaz peut être enposé à l'extérieur dans une zone bien ventilée hors de la portée des enfants lorsque le gril n'est pas utilisé.

La bouteille de gaz PL doit être utilisée à l'extérieur uniquement dans un espace bien ventilé et non dans un bâtiment, un garage ou d'autres espaces fermés. Le gril de dessus de table Nexgrill peut être entreposé à l'intérieur si la bouteille de gaz PL est enlevée et entreposée à l'extérieur. La bouteille de gaz PL (non comprise) est filetée pour permettre un raccordement direct au régulateur de gaz fourni avec cet appareil. Visser la bouteille au régulateur avec soin pour engager les filets correctement afin de garantir une bonne connexion. Lors de la déconnexion ou de la connexion d'une bouteille de gaz, faire attention que le régulateur ne tombe pas sur le gril, le sol ou toute autre surface. Replacer le capuchon de protection sur la connexion de la bouteille filetée lorsqu'elle est enlevée du gril. En cas de difficulté pendant la connexion ou la déconnexion de la bouteille d'un régulateur, contacter le fournisseur de gaz local pour assistance. Lors de la reconnexion de la bouteille de gaz PL au régulateur, bien serrer à la main jusqu'au blocage complet. Cette connexion doit être inspectée pour tout dommage et testée pour les fuites après chaque reconnexion.

Pour tester les fuites, préparer une solution savonneuse moitié détergent liquide et moitié eau. Vous avez besoin d'un flacon pulvérisateur, d'une brosse ou d'un chiffon pour appliquer la solution sur le raccord. La présence de bulles confirme les fuites.

Avant chaque utilisation, vérifier tous les raccords d'alimentation de gaz pour détecter les fuites. Ne pas utiliser le gril sans avoir contrôlé tous les raccords et déterminer l'absence de fuites.

Mode d'emploi

RACCORDEMENT AU GAZ

Utilisez uniquement l'ensemble tuyau et régulateur de pression fourni avec le gril. L'ensemble de rechange tuyau et régulateur de pression doit être spécifié par le fabricant du gril. Ce gril est configuré du propane liquide. Ne pas utiliser de gaz naturel.

Consommation totale du gaz (à l'heure) pour tous le brûleur réglés sur HI :

| | |
|--------------------|----------------|
| Brûleur principaux | 12,000 BTU/Hr. |
| Total | 12,000 BTU/Hr. |

L'installation de cet appareil doit être conforme aux codes locaux ou, en l'absence de ces derniers, à l'un des codes suivants : code national de gaz de combustion ANSI Z223.1/NFPA 54, code national d'installation de propane CSA B149.1 ou code d'entreposage et de manutention de propane B149.2 ou aux normes pour caravanes ANSI A119.2/NFPA 1192, et code pour caravanes CSA Z240 RV, selon le cas.

BESOINS EN CYLINDRE DE PROPANE LIQUIDE

(0,45kg de cylindre)

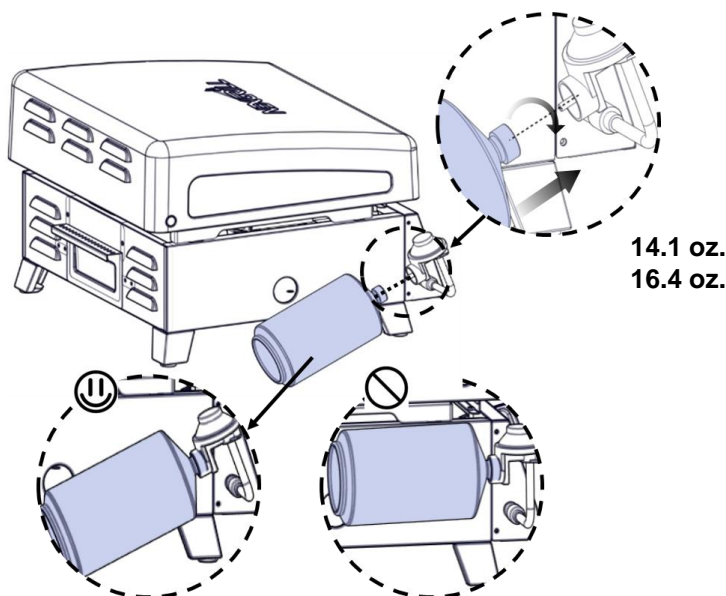
Une bouteille de propane liquide bosselée ou rouillée peut être dangereuse et doit être vérifiée par votre fournisseur. N'utilisez jamais un cylindre avec une valve endommagée. La bouteille de propane liquide doit être construite et marquée conformément aux spécifications des bouteilles de propane liquide par le Département du transport des États-Unis ou la norme nationale du Canada, CAN / CSA-B339, Bouteilles, sphères et tubes pour le transport de matières dangereuses. Commission des marchandises.

Utilisez des bouteilles LP jetables d'une capacité de 453g ou 400g équipé d'une connexion CGA # 600.

⚠ MISE EN GARDE: N'utilisez que des bouteilles portant la mention "carburant propane".

1. Assurez-vous que le bouton de commande du brûleur est éteint en le poussant et en le tournant dans le sens des aiguilles d'une montre jusqu'à la position désactivé.
2. Tout en tenant la poignée la plus proche de la bouteille de propane avec une main, poussez la bouteille de propane dans le régulateur et tournez dans le sens des aiguilles d'une montre jusqu'à ce qu'elle soit serrée.
3. Le stockage à l'intérieur d'un appareil de cuisson à gaz en extérieur est autorisé uniquement si la bouteille est débranchée et retirée de l'appareil à gaz de cuisson extérieur. Le système de vérin doit être disposé pour le retrait de la vapeur. Le cylindre doit comporter un collier pour protéger la soupape de la bouteille.

Pression du collecteur: (en fonctionnement) 11 dans la colonne d'eau (2.74 kPa), (hors fonctionnement) 11,2 dans la colonne d'eau (2,79 kPa).



Mode d'emploi

RACCORDEMENT DU CYLINDRE DE PROPANE LIQUIDE

Pour connecter le cylindre d'alimentation en gaz propane liquide:

Le robinet de la bouteille doit être en position désactivé. Sinon, tournez la vanne dans le sens des aiguilles d'une montre jusqu'à ce qu'elle s'arrête.

Assurez-vous que la soupape de la bouteille a les connexions filetées externes de type 1 appropriées selon la norme ANSI Z21.81.

Assurez-vous que les vannes du brûleur sont en position désactivé.


Inspectez les raccords de la vanne, le port et le régulateur. Enlevez les débris et inspectez le tuyau pour vous assurer qu'il n'est pas endommagé.

Lorsque vous connectez l'assemblage du régulateur à la vanne, serrez l'écrou dans le sens des aiguilles d'une montre jusqu'à ce qu'il s'arrête. L'utilisation d'une clé pourrait endommager l'écrou à raccord rapide et entraîner une situation dangereuse

Ouvrez complètement le robinet de la bouteille en tournant la vanne dans le sens antihoraire.

Avant d'allumer le gril, utilisez une solution de savon et d'eau pour vérifier toutes les connexions pour détecter les fuites.

Si une fuite est détectée, éteignez la valve de la bouteille et n'utilisez pas le gril avant qu'un réparateur local de propane liquide puisse effectuer des réparations.

 N'essayez jamais d'utiliser un équipement endommagé ou obstrué. Consultez votre revendeur local de propane liquide pour réparation.

DÉCONNEXION DU CYLINDRE DE PROPANE LIQUIDE

Tournez les robinets du brûleur du gril sur désactivé et assurez-vous que le gril est froid.

Tourner la valve de la bouteille de propane liquide sur désactivé en tournant dans le sens des aiguilles d'une montre jusqu'à ce qu'elle s'arrête.

Détachez le régulateur du robinet de la bouteille en tournant l'écrou de raccord rapide dans le sens contraire des aiguilles d'une montre.

Placez le capuchon anti-poussière sur la sortie de la valve du cylindre lorsque le cylindre n'est pas utilisé.

Installez uniquement le type de capuchon anti-poussière sur la sortie de la soupape du cylindre fourni avec la soupape de la bouteille. D'autres types de bouchons ou de bouchons peuvent entraîner une fuite de propane.

TEST DE FUITE GÉNÉRAL

Bien que les raccords de gaz sur le gril soient soumis à des essais d'étanchéité avant l'expédition, un test d'étanchéité complet doit être effectué sur le site d'installation. Avant chaque utilisation, vérifiez que tous les raccordements de gaz ne fuient pas en suivant les procédures ci-dessous.

Si une odeur de gaz est détectée à tout moment, vous devez immédiatement vérifier que le système entier ne fuit pas.

AVANT DE TESTER

Assurez-vous que tous les matériaux d'emballage ont été retirés du gril, y compris les sangles de fixation du brûleur.

ATTENTION

Vérifiez tous les raccords d'alimentation en gaz pour les fuites avant chaque utilisation. N'utilisez pas le gril tant que toutes les connexions n'ont pas été vérifiées et ne fuient pas. Ne pas fumer pendant les essais d'étanchéité. Ne jamais effectuer de test d'étanchéité avec une flamme nue.

Faire une solution d'une part de détergent liquide et d'une part d'eau. Vous aurez besoin d'un vaporisateur, d'un pinceau ou d'un chiffon pour appliquer la solution sur les raccords. Pour le test d'étanchéité initial, assurez-vous que la bouteille de propane liquide est pleine.

(Suite à la page suivante)

Mode d'emploi

TESTER

1. Éteignez la valve du brûleur.
2. Appliquez la solution de savon sur tous les raccords de gaz. Des bulles de savon apparaîtront là où une fuite est présente.
3. En cas de fuite, coupez immédiatement l'alimentation en gaz et resserrez les raccords qui fuient.
4. Retournez le gaz "ON" et revérifiez.
5. Si le gaz continue à fuir de l'un des raccords, désactivez l'alimentation en gaz et contactez notre service clientèle au États-Unis: 1-800-913-8999, de 8h00 à 17h00, heure du Pacifique, du lundi au vendredi.
6. S'il existe des signes d'abrasion ou d'usure excessive, il doit être remplacé avant la mise en service de l'appareil de gaz de cuisson extérieur.
7. Seules les pièces recommandées par le fabricant doivent être utilisées sur le grill. Les substitutions annuleront la garantie.

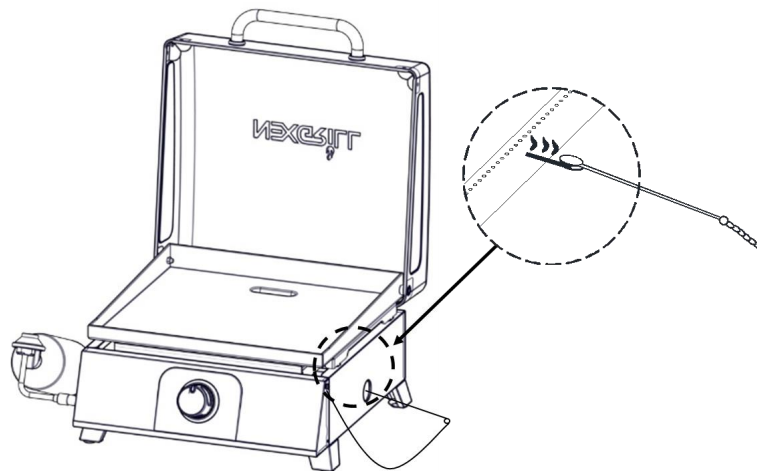
ATTENTION

Ne stockez pas le grill à l'intérieur à moins que la bouteille ne soit déconnectée. Ne stockez pas les bouteilles dans un bâtiment, un garage ou tout autre espace clos et restez hors de la portée des enfants en tout temps.

ÉCLAIRAGE DU GRIL

1. Assurez-vous que la bouteille de propane est bien enfilée dans le régulateur (serrez à la main uniquement).
2. Ouvrez le couvercle. Toujours ouvrir le couvercle lors de l'allumage.
3. Poussez et tournez le bouton de commande à haute. Le brûleur doit s'allumer immédiatement.
4. Avec le brûleur allumé, fermez doucement le couvercle et laissez le grill se réchauffer pendant 5 à 10 minutes avant utilisation.
5. Si l'allumage ne se produit pas dans les 3-5 secondes, tournez le bouton de commande désactivé. Attendez 5 minutes avant d'essayer de rallumer le grill. Si le grill ne s'allume pas après la deuxième tentative, appelez notre service à la clientèle aux États-Unis: 1-800-913-8999. Avec le brûleur allumé, fermez doucement le couvercle et laissez le grill chauffer pendant 20 à 30 minutes avant utilisation.

Note: Si le bouton ne peut pas déclencher, insérez une allumette. Allumez l'allumette et insérez-la dans un trou à gauche de la chambre de combustion, comme illustré ci-dessous.



ÉTEINDRE LE GRIL

1. Tournez le bouton du régulateur sur désactivé.

Attention: Ne pas essayer de rallumer le grill sans suivre toutes les instructions d'éclairage. Laissez le corps du grill refroidir au moins 30 minutes et retirez le réservoir de propane avant de tenter de le déplacer ou de le transporter.

Assaisonner votre plaque chauffante

IMPORTANTANCE DE SAISONNIER GRIDDLE

Il est très important de maintenir une surface de plaque chauffante assaisonnée afin de maintenir des performances optimales et une longue durée de vie de la plaque chauffante. Assaisonner votre plaque chauffante a deux objectifs:

- a) Il prévient la rouille et la corrosion.
- b) Il crée une surface de cuisson antiadhésive permanente.

L'assaisonnement est un processus qui s'améliore continuellement tout au long de la vie de votre plaque chauffante. Un entretien et un entretien appropriés ainsi que l'assaisonnement après chaque utilisation se traduiront par une meilleure expérience de cuisson.

PREMIÈRE UTILISATION

Votre plaque chauffante est pré-assaisonnée d'un enduit d'huile de cuisson pour prévenir la corrosion et les dommages pendant le processus d'expédition. Avant d'utiliser votre plaque chauffante pour la première fois, lavez le dessus et l'intérieur de la surface de la plaque chauffante avec de l'eau chaude savonneuse. N'utilisez jamais de savon sur votre plaque chauffante APRÈS LA PREMIÈRE UTILISATION. Rincez et séchez complètement, puis poursuivez les étapes d'assaisonnement.

ASSISONNER VOTRE GRILLE

1. Nettoyer soigneusement les résidus alimentaires.
2. Appliquez uniformément une quantité généreuse d'huile de cuisson (graines de lin, olives, légumes, etc.) sur la surface de la plaque chauffante.
3. À l'aide d'un essuie-tout, étalez soigneusement l'huile de cuisson sur toute la surface de la plaque chauffante.
4. Laissez la plaque chauffante refroidir complètement avant de la ranger dans un endroit frais et sec.

APRÈS CHAQUE UTILISATION

Pour nettoyer votre plaque après chaque utilisation, grattez délicatement les résidus d'aliments restants avec une spatule et essuyez avec une serviette. Pour retirer les aliments coincés, versez de l'eau chaude sur la surface de la plaque chauffante pour détacher les résidus ou utilisez ¼ de tasse de sel de table pour agir comme abrasif. Suivez ensuite les étapes pour "SAISONNIER VOTRE GRILLE".

Soins et entretien

Il y a très peu de soins et d'entretien nécessaires. Le gril de table est conçu et fabriqué avec des matériaux qui dureront plusieurs années avec une utilisation normale. Suivre ces instructions améliorera la longévité du gril et la qualité de la cuisson. Pour assurer le fonctionnement en toute sécurité de votre gril, la zone de cuisson doit toujours être exempte de matériaux combustibles de tout type, tels que l'essence ou d'autres vapeurs ou liquides inflammables.

Pièces de gril extérieur - Peut être nettoyé facilement avec de l'eau chaude savonneuse.

Bac à graisse - Peut être nettoyé facilement avec de l'eau chaude savonneuse.

Mise en garde: Le plateau à graisse doit rester propre et exempt de toute accumulation importante pour que le gril puisse fonctionner correctement et éliminer les flambées.

Brûleur Principaux – Une extrême prudence doit être prise lors du retrait d'un brûleur. Il doit être correctement centré sur l'orifice avant de tenter de rallumer le gril. La fréquence de nettoyage dépendra de la fréquence d'utilisation du gril. Ne pas placer correctement le brûleur en position pourrait provoquer un incendie, endommageant ainsi le gril et le rendant dangereux à utiliser.

Avant le nettoyage, assurez-vous que l'alimentation en gaz et le bouton du régulateur sont en position désactivé et que le brûleur sont refroidis. Pour retirer le brûleur principaux pour le nettoyage:

1. Retirez le régulateur du bout du brûleur.
2. Localisez la vis du brûleur à l'intérieur du foyer.
3. Retirez la vis et faites glisser le brûleur hors de la chambre de combustion.

Pour nettoyer le brûleur du gril:

1. Nettoyez l'extérieur du brûleur avec une brosse métallique. Utilisez un grattoir en métal pour les taches ou les débris tenaces.
2. Effacer les ports obstrués avec un trombone déplié. N'utilisez jamais un cure-dent en bois car il pourrait se détacher et boucher le port.
3. Vérifier et nettoyer le brûleur / tubes venturi pour les insectes et les nids d'insectes. Un tube bouché peut provoquer un incendie sous et derrière le panneau de commande principal.

Pour réinstaller le brûleur principaux:

1. Insérez le brûleur dans le foyer.
2. Alignez le trou de la vis du brûleur avec celui du foyer, insérez la vis et serrez.
3. Réinstallez le régulateur sur l'extrémité du brûleur.

Firebox - Utilisez de l'eau chaude savonneuse pour nettoyer cette zone. Ne laissez pas la graisse s'accumuler.

Trou de vidange - Le trou de vidange doit être dégagé de la graisse et des particules de nourriture pour permettre aux gouttes de s'écouler correctement dans le bac à graisse. Cela doit être fait pour maintenir le bon fonctionnement de votre gril.

Général - Ce gril, comme tous les équipements, aura une meilleure apparence et durera plus longtemps s'il n'est pas utilisé lorsqu'il n'est pas utilisé

Soins et entretien

Attention: Ne stockez pas les bouteilles de propane dans des espaces clos. Lorsque vous utilisez un couvercle ou déplacez le gril, attendez toujours que le gril ait refroidi pendant au moins 30 minutes.

- Ne pas obstruer la circulation de l'air de combustion et de ventilation.
- Un tube bouché peut provoquer un incendie sous l'appareil.

Cet appareil doit être conservé dans un endroit exempt de matières combustibles, d'essence et d'autres vapeurs et liquides inflammables.

Assurez-vous que toutes les ouvertures dans le corps du gril ne sont pas obstruées ou obstruées et qu'aucun objet ou matériau ne bloque le flux de combustion ou de ventilation. Assurez-vous que les jambes sont en position haute lorsque vous utilisez le gril.

Vérifiez que les ouvertures d'entrée d'air du brûleur (derrière la protection d'entrée à l'extrémité droite du corps du gril) ne sont pas obstruées ou obstruées. Assurez-vous que les fentes du tube du brûleur sont dégagées.

Lorsque le gril n'est pas utilisé, tournez le bouton de commande sur la position désactivé et retirez la bouteille de propane du régulateur. Retirez le régulateur du brûleur.

Pour usage extérieur seulement, si stocké à l'intérieur, détachez la bouteille de propane et entreposez à l'extérieur. Les bouteilles de propane doivent être entreposées hors de la portée des enfants.

CET APPAREIL DE CUISSON EST EXCLUSIVEMENT UTILISÉ À L'EXTÉRIEUR ET NE DOIT PAS ÊTRE UTILISÉ DANS UN BÂTIMENT, UN GARAGE OU TOUTE AUTRE ZONE FERMÉE.

INSTRUCTIONS DE DEPLACEMENT

- **Attention:** Ne déplacez jamais le gril avec le brûleur allumé.
- Assurez-vous que le bouton de commande est sur la position désactivé. Débranchez la bouteille de propane du régulateur.
- Assurez-vous que le gril est complètement refroidi pendant au moins 30 minutes.
- Remarque: il est préférable de laisser le plateau à graisse en place, fixé au bas du gril; de la graisse peut continuer à s'écouler du trou de vidange pendant le transport.

ATTENTION

Les araignées et les insectes peuvent nicher à l'intérieur de brûleur du gril et perturber le flux de gaz. Cette condition très dangereuse pourrait provoquer un incendie derrière le panneau de la vanne, endommageant ainsi le gril et le rendant dangereux pour le fonctionnement. Inspectez le gril au moins deux fois par an.

Quand chercher des araignées

Vous devez inspecter le brûleur au moins deux fois par an ou immédiatement après l'une des conditions suivantes:

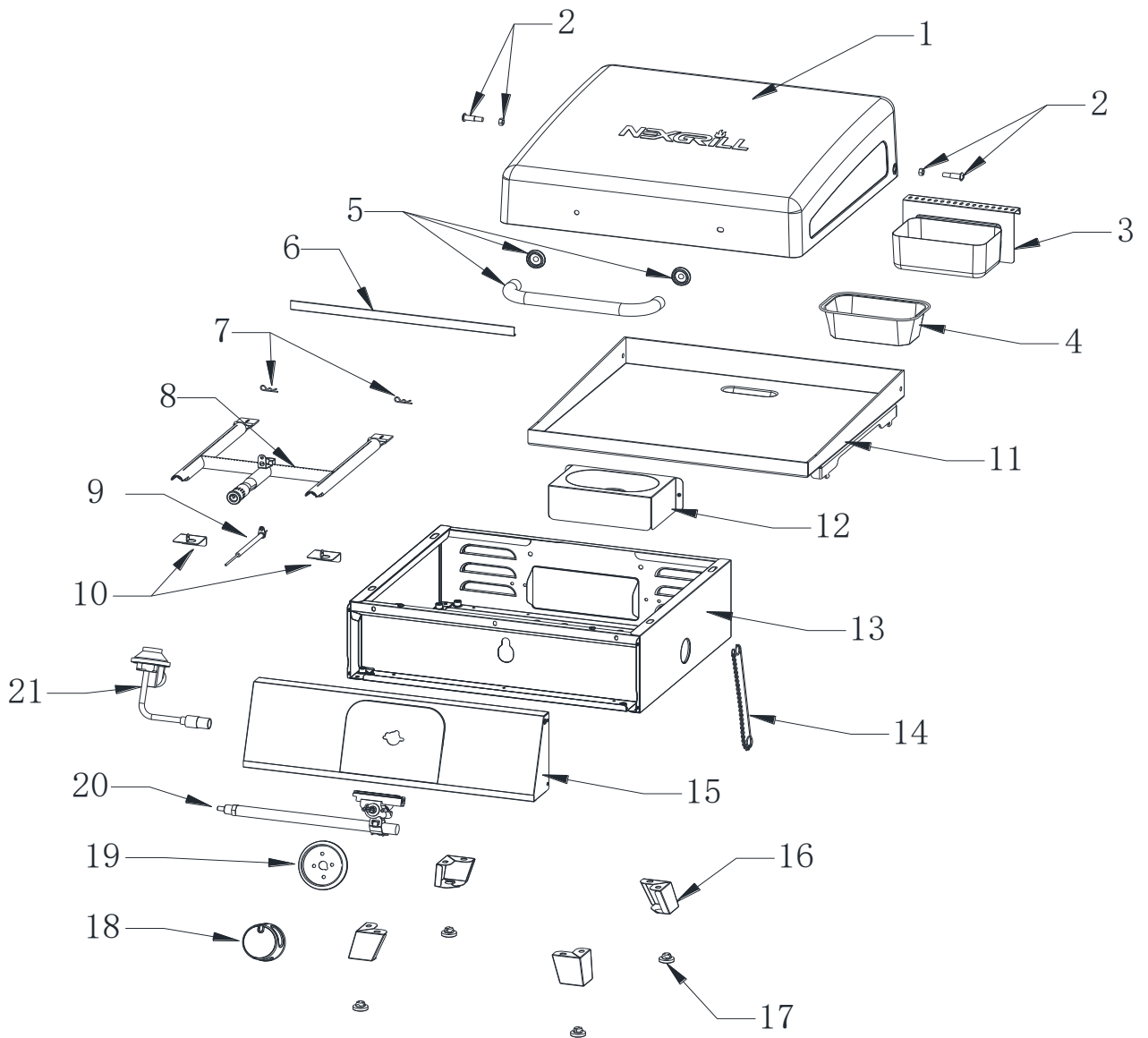
1. Le gaz peut être senti en même temps que les flammes de brûleur apparaissent en jaune.
2. Le gril n'atteint pas la température.
3. Le gril chauffe de manière inégale.
4. Le brûleur font des bruits de claquement.

Dépannage

| Problème | Que faire |
|--|--|
| Le grill ne s'allume pas. | <ul style="list-style-type: none">• Vérifiez si la bouteille de propane liquide est vide.• Vérifiez les ports du brûleur pour tout blocage. Utilisez une brosse métallique pour effacer les ports branchés.• Vérifiez que l'orifice à gaz du brûleur ne présente pas d'obstruction. Si l'orifice est bloqué, nettoyez avec une aiguille ou un fil fin. N'UTILISEZ JAMAIS UNE POIGNETTE EN BOIS. |
| La flamme du brûleur est jaune ou orangée, et il y a une odeur de gaz. | <ul style="list-style-type: none">• Rechercher des araignées et des insectes.• Appelez notre service clientèle en appelant US: 1-800-913-8999 à 8h00. à 17h du lundi au vendredi. |
| Faible chaleur alors que le bouton est en position HI. | <ul style="list-style-type: none">• Assurez-vous que la zone de la grille n'est pas poussiéreuse.• Assurez-vous que le brûleur et l'orifice sont propres.• Vérifiez la présence d'araignées et d'insectes• Est-ce qu'une quantité adéquate de gaz est disponible ?• Est-ce que le grill a été préchauffé pendant 15 minutes ? |

Si le grill ne fonctionne pas correctement, effectuez chaque vérification de la liste qui suit avant de contacter le service clientèle.

Vue éclatée



Des questions, des problèmes, des pièces manquantes? Avant de retourner l'article au détaillant, communiquez avec le service à la clientèle au U.S.A: 1-800-913-8999, entre 8 h et 17 h HNP.

Pièces de rechange

| N° | PIÈCE (DESCRIPTION) | GARANTIE (ANS) | QTÉ | N° | PIÈCE (DESCRIPTION) | GARANTIE (ANS) | QTÉ |
|----|--|-------------------|-----|----|---|--------------------|-----|
| 1 | Couvercle principal | 1 | 1 | 12 | Bouclier thermique de tasse de graisse | 1 | 1 |
| 2 | Assemblage des vis du couvercle principal | 1 | 2 | 13 | Assemblage de la foyer | Non remplaçable | 1 |
| 3 | Réceptacle à graisse | 1 | 1 | 14 | Bâtonnet d'allumage | 1 | 1 |
| 4 | Doubleure | 1 | 1 | 15 | Panneau de commande | 1 | 1 |
| 5 | Poignée du couvercle principal | 1 | 1 | 16 | Jambe de chariot | 1 | 4 |
| 6 | Bouclier du vent | 1 | 1 | 17 | Tampon de jambe de chariot | 1 | 4 |
| 7 | Ensemble de goupille de brûleur | 1 | 2 | 18 | Bouton de controle | 1 | 1 |
| 8 | Ensemble brûleur principal | 5 | 1 | 19 | Sertissage | 1 | 1 |
| 9 | Fil d'allumage du brûleur principal | 1 | 1 | 20 | Vanne de gaz et collecteur principal | 1 | 1 |
| 10 | Support du brûleur principal | 1 | 2 | 21 | Régulateur LP | 1 | 1 |
| 11 | Plaque | 1 | 1 | | Manuel | | 1 |

Garantie limitée

Nexgrill garantit au premier acheteur seulement que ce produit (modèle 820-BC002) sera exempt de défauts de matériaux et de fabrication, après un assemblage approprié et dans des conditions normale et raisonnable d'utilisation domestique, pour les périodes indiquées ci-dessous, à compter de la date d'achat. Le fabricant se réserve le droit d'exiger des photographies ou le retour des pièces défectueuses, dont l'envoi est aux frais du consommateur, aux fins d'évaluation et d'examen.

BRÛLEUR PRINCIPAUX : Garantie LIMITÉE de 5 ans contre la perforation.

PLAQUE: Garantie LIMITÉE de 1 an ; ne couvre pas les égouttures, l'effritement, les égratignures ou les dommages superficiels.

AUTRES PIÈCES : Garantie LIMITÉE de 1 an (y compris, sans toutefois s'y limiter les vannes, le cadre, le boîtier, le panneau de commande, l'allumeur, le régulateur et les tuyaux). * Ne couvre pas l'effritement, les égratignures, la fissuration par corrosion et la rouille.

Dès réception de la preuve d'achat fournie par le consommateur, le fabricant réparera ou remplacera les pièces qui s'avèrent défectueuses pendant la période de garantie applicable, durant laquelle les pièces requises pour effectuer la réparation ou le remplacement seront gratuites à l'exception des frais de transport. Le premier acheteur est responsable de tous les frais de transport des pièces remplacées en vertu de la présente garantie limitée. La garantie limitée n'est valide qu'aux États-Unis et au Canada, n'est offerte qu'au premier propriétaire du produit et n'est pas transférable. Le fabricant exige une preuve raisonnable de la date d'achat. L'acheteur devrait donc conserver le reçu ou la facture. Si l'appareil est un cadeau, demander à l'acheteur d'envoyer le reçu à l'adresse ci-dessous. Les pièces défectueuses ou manquantes couvertes par la garantie limitée ne seront pas remplacées sans enregistrement du produit ou preuve d'achat. La garantie limitée couvre les problèmes fonctionnels SEULEMENT et non les problèmes esthétiques tels que les égratignures, les bosses, la corrosion ou la décoloration causée par la chaleur, les produits nettoyants abrasifs ou chimiques ou l'utilisation d'outil durant l'assemblage ou l'installation de l'appareil, la rouille superficielle ou la décoloration des surfaces en acier inoxydable. La rouille superficielle, la corrosion ou l'écaillage de la peinture en poudre sur les pièces en métal qui ne compromettent pas l'intégrité structurelle du produit n'est pas considéré comme un défaut de matériaux ou de fabrication et n'est donc pas couvert par la garantie. La garantie limitée ne couvre pas les désagréments, la perte d'aliments, les blessures et les dommages matériels. Si une pièce de rechange d'origine n'est pas disponible, une pièce équivalente sera expédiée. Les frais de transport des pièces remplacées en vertu de la garantie limitée sont à la charge de l'acheteur.

LE FABRICANT N'EST PAS RESPONSABLE DES FRAIS LIÉS AUX ÉLÉMENTS SUIVANTS :

- Visites à domicile.
- Réparations d'un produit dont l'utilisation ne correspond pas à un usage unifamilial ou domestique normal.
- Dommages causés par un accident, une modification, une mauvaise utilisation, un manque d'entretien ou de nettoyage, un usage abusif, un incendie, une inondation, un cas de force majeure, une installation fautive, une installation non conforme aux codes de l'électricité ou de la plomberie, ou l'utilisation de produits non approuvés par le fabricant.
- Perte d'aliments due à une défaillance du produit.
- Pièces de rechange ou frais de main-d'œuvre pour la réparation d'appareils utilisés hors des États-Unis ou du Canada.
- Ramassage et livraison du produit.
- Port ou traitement des photographies envoyées à titre de preuve.
- Réparations de pièces ou de systèmes résultant de modifications non autorisées.
- Retrait ou réinstallation du produit.
- Expédition standard ou accélérée des pièces de rechange couvertes ou non par la garantie.

EXONÉRATION DE GARANTIES IMPLICITES; LIMITATION DES RECOURS

La réparation ou le remplacement des pièces défectueuses est le seul recours en vertu de la garantie limitée. Le fabricant n'est pas responsable des dommages indirects ou accessoires entraînés par la violation de la garantie limitée ou de toute garantie implicite applicable, ni des défauts ou des dommages causés par un cas de force majeure, un entretien et un nettoyage inadéquats, un feu de graisse, un accident, une modification du produit, le remplacement de pièces par une personne autre que le fabricant, une mauvaise utilisation, le transport du produit, un usage commercial ou abusif, un milieu hostile (intempéries, phénomènes naturels ou dommages causés par des animaux) ou une installation inadéquate ou non conforme aux codes locaux ou aux instructions imprimées du fabricant.

LA PRÉSENTE GARANTIE LIMITÉE EST LA SEULE GARANTIE EXPRESSE FOURNIE PAR LE FABRICANT. AUCUNE SPÉCIFICATION OU DESCRIPTION EN MATIÈRE DE RENDEMENT N'EST GARANTIE PAR LE FABRICANT SAUF DANS LA MESURE STIPULÉE PAR LA PRÉSENTE GARANTIE LIMITÉE. TOUTE GARANTIE IMPLICITE EN VERTU DES LOIS ÉTATIQUES OU PROVINCIALES, Y COMPRIS LA GARANTIE IMPLICITE DE QUALITÉ MARCHANDE ET D'ADAPTATION À UN USAGE DONNÉ, EST LIMITÉE À LA DURÉE DE LA PRÉSENTE GARANTIE LIMITÉE.

Ni le détaillant ni le commerçant n'est autorisé à offrir une garantie supplémentaire ou à promettre des recours au-delà de ceux susmentionnés ou incompatibles avec ceux-ci. Le montant de la responsabilité maximale du fabricant ne peut en aucun cas dépasser le prix d'achat documenté du produit payé par le premier acheteur. La garantie ne s'applique qu'aux appareils achetés auprès d'un détaillant ou d'un revendeur autorisé. N.B. : Puisque certains États et certaines provinces ne permettent pas l'exclusion ou la restriction des dommages indirects ou accessoires, certaines des restrictions ou des exclusions énoncées ci-dessus pourraient ne pas s'appliquer. La garantie limitée donne des droits spécifiques à l'acheteur, qui pourrait aussi avoir d'autres droits selon l'État ou la province où il habite.

Pour demander l'exécution d'une obligation en vertu de cette garantie limitée, écrire à :

Nexgrill Customer Relations
14050 Laurelwood Place
Chino, CA 91710
ÉTATS-UNIS

Pour retourner un produit, commander des pièces ou obtenir des renseignements généraux ou de l'assistance technique, communiquer avec le service à la clientèle au 1-800-913-8999 (États-Unis), au 1-800-648-5864 (Canada) ou au 1-909-598-1812 (International) en semaine, entre 8 h et 17 h (heure du Pacifique; service en anglais, en français et en espagnol).

CustomerService@grillservices.com

Instrucciones de Seguridad

⚠ PELIGRO

En caso de que usted huelga gas:

1. Cierre el suministro de gas del dispositivo.
2. Apague cualquier tipo de llama abierta.
3. Abra la tapa.
4. Si el olor persiste, manténgase alejado del dispositivo y llame inmediatamente a su proveedor del servicio de gas o al departamento de bomberos.

En caso de que estas instrucciones no se cumplieran, ello podría dar como resultado un incendio o una explosión que podría causar lesiones corporales graves, la muerte o daños a la propiedad.

⚠ PELIGRO

1. Nunca opere este dispositivo sin prestarle atención.
2. Nunca opere este dispositivo dentro de una distancia de 3,05 m / 10 ft. de cualquier tipo de estructura, material combustible u otro cilindro con gas.
3. Nunca opere este dispositivo dentro de una distancia de 7,62 m / 25 ft. de cualquier tipo de líquido inflamable.
4. Este dispositivo no está diseñado ni debe usarse para calentar.
5. En caso de incendio, manténgase alejado del dispositivo e inmediatamente llame al departamento de bomberos. No intente extinguir el fuego originado por grasa o aceite con agua.

En caso de que estas instrucciones no se cumplieran, ello podría dar como resultado un incendio o una explosión que podría causar lesiones corporales graves, la muerte o daños a la propiedad.

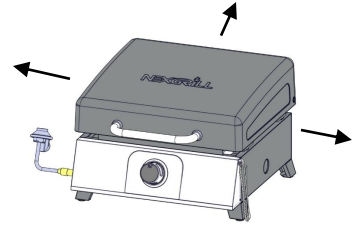
ESTE APARATO DE GAS ESTÁ DISEÑADO PARA USO AL AIRE LIBRE SOLAMENTE

Lea las siguientes instrucciones con cuidado antes de ensamblar, instalar u operar el producto. El incumplimiento de estas instrucciones puede ocasionar lesiones graves y/o daños materiales. Para obtener un reemplazo del producto, por favor llame al Departamento del Servicio al Cliente al: 1-800-913-8999 (E.U.), 1-800-648-5864 (Canada), y 1-909-598-1812 (Internacional). Lenguajes hablados: Ingles, Frances, y Español de 8 a.m. -5 p.m., PST. Lunes – Viernes. También puede comunicarse con nosotros por correo electrónico a: CustomerService@grillservices.com.

El cilindro de suministro de gas LP debe estar construido y marcado según las especificaciones para los cilindros de gas LP del Departamento de Transporte de los Estados Unidos de América (DOT) o según la norma nacional de Canadá, CAN-B339, Cilindros, esferas y tubos para el transporte de artículos peligrosos.

Instrucciones de Seguridad

1. La instalación debe apegarse a las normas locales o, a falta de éstas, a los códigos nacionales de gas combustible, al Código Nacional de Gas combustible ANSI Z223.1/NFPA 54, Almacenamiento y manejo de gases de petróleo licuados, ANSI/NFPA 58, o la norma de vehículos recreativos ANSI A119.2/NFPA 1192 y el código de vehículos recreativos CSA Z240 RV, según sea el caso.
2. La parrilla para mostradores se debe utilizar exclusivamente en lugares abiertos. La parrilla debe usarse en lugares bien ventilados. Nunca la use en espacios cerrados, como cocheras y edificios. No instale este dispositivo de cocción a gas para espacios abiertos dentro o sobre barcos, y otros vehículos recreacionales.
3. Los líquidos calentados mantienen la temperatura de hervor aun mucho después del proceso de cocción. No toque el dispositivo de cocción hasta que la temperatura de los líquidos haya bajado a 46.11 °C (115 °F) o menos.
4. No la instale ni la use a menos de 91.44 cm (36 in) de distancia de materiales combustibles, contando de la parte trasera y de los lados de la parrilla. La parrilla no debe colocarse debajo de superficies elevadas (cochera cerrada, cochera, porche, patio) que puedan arder.
5. Nunca trate de conectar esta parrilla al sistema autónomo de gas LP de un remolque o casa rodante.
6. Es responsabilidad del dueño y de quien la ensamble ensamblar, instalar y darle mantenimiento a la parrilla de gas. No deje que los niños operen la parrilla para mostradores ni que jueguen ellos y las mascotas cerca de ella. El incumplimiento de estas instrucciones puede ocasionar lesiones graves y daños materiales.
7. Quite la tapa antes de encender la parrilla. Cuando la parrilla no esté en uso, apague la perilla del cilindro de gas LP.
8. Siga cuidadosamente las instrucciones de esta manual para ensamblar debidamente la parrilla y detectar si tiene fugas. No use la parrilla hasta haber revisado si tiene fugas. Si detecta una fuga en cualquier momento, debe detenerla y corregirla antes de seguir usando la parrilla.
9. El área del aparato debe de mantenerse limpia y sin materiales combustibles, gasolina, gas embotellado en cualquier forma y otros vapores y líquidos inflamables. No obstruya el flujo de combustión y del aire de la ventilación.
10. ¡Nunca trate de encender la parrilla con la tapa cerrada! La acumulación de gases es muy peligrosa y puede causar una explosión.
11. Mantenga todos los cables eléctricos y la manguera de combustible alejados de superficies calientes.
12. El propano es un gas inflamable y su manejo incorrecto puede causar explosiones, incendios y otros accidentes y lesiones graves.
15. Este aparato será antes y después del uso. Use guantes aislados para horno u otro tipo de guantes para protegerse de las superficies calientes y las salpicaduras de los líquidos de cocción.
16. No descuide el asador mientras lo esté utilizando.
17. No lo use bajo los efectos de drogas o alcohol.
18. No guarde cilindros de repuesto de gas propano (LP), llenos o vacíos, abajo o cerca de la parrilla.
19. Este aparato no está destinado a usos comerciales ni para ser rentado.
20. Debe desconectar el cilindro cuando no utilice el aparato.



PELIGROS NATURALES • ARAÑAS

DATO: A veces, las arañas y otros insectos pequeños trepan por el tubo del quemador. Las arañas tejen sus telas, construyen nidos y ponen huevos. Las telarañas y los nidos, aunque sean pequeños, son muy fuertes y pueden bloquear el flujo del gas. Limpie el quemador antes de usarlo después de haber estado guardado, al principio de la temporada de parrilladas o después de un mes de no haberlo usado.



Instrucciones de Seguridad

El sistema de combustible

Millones de personas usan las parrillas de gas sin peligro si siguen unas simples precauciones.

Los elementos del sistema de combustible están diseñados para funcionar con esta parrilla. No debe de reemplazarlos por ninguna otra marca. (Vea la lista de partes si necesita artículos de repuesto.)

MECHERO DE GAS: El mechero de gas está construido de acero inoxidable y no requiere más mantenimiento que la inspección para ver si hay insectos o nidos adentro de las ranuras de entrada del aire.

PRECAUCIÓN CON EL REGULADOR DE GAS LP

Se debe usar el regulador de presión de gas que acompaña este dispositivo. Este regulador está equipado con el orificio requerido y está ajustado para la presión requerida de salida de este aparato. Esta combinación de especificaciones del tamaño del orificio y la regulación de la presión ofrece el desempeño en cocinado deseado para la parrilla para mostradores Nexgrill. Sustituir el regulador por cualquier otro dispositivo o por uno de otro fabricante es peligroso y puede causar lesiones graves.

COMBUSTIBLE PROPANO: Advertencia: El propano es un gas inflamable. Su manejo incorrecto puede causar explosiones, incendios y otros accidentes y lesiones graves. La parrilla está diseñada para funcionar exclusivamente con gas propano (LP) y está equipada con el orificio indicado para gas propano.

Precaución: No conecte esta parrilla con ningún suministro de gas que no sea propano. El gas propano es más pesado que el aire y tiende a asentarse en las áreas bajas. Asegúrese de que haya una ventilación adecuada al usar la parrilla. Cuando no esté usando la parrilla puede guardar el cilindro de gas afuera, en un área bien ventilada y fuera del alcance de los niños.

El cilindro de gas LP debe de usarse únicamente en exteriores y no en un edificio, una cochera o en otra área cerrada. La parrilla Nexgrill para mostradores puede guardarse en interiores si le quita el cilindro de gas LP y guarda éste en exteriores. El cilindro de gas LP (no incluido) tiene rosca para conectarse directamente con el regulador de gas suministrado con este aparato. Debe de tener cuidado al conectar el cilindro con el regulador para que las roscas se enganchen debidamente y se logre la conexión adecuada y deseada. Al conectar o desconectar el cilindro de gas, tenga cuidado de que el regulador no golpee la parrilla, el suelo nin ninguna otra superficie. Vuelva a poner la tapa de protección en la conexión de rosca del cilindro cuando lo retire de la parrilla. Si tiene cualquier dificultad al conectar o desconectar el cilindro del conjunto del regulador, comuníquese con su proveedor de gas para que lo ayude.

Al reconectar el cilindro de gas LP al regulador, apriete a mano hasta que esté bien ajustado. Después de cada reconexión, revise la conexión para ver si tiene daños o fugas.

Para detectar fugas haga una solución jabonosa con una parte de detergente líquido y otra parte de agua. Necesita un rociador, un cepillo o un trapo para aplicar la solución en la junta. Si aparecen burbujas, esto indica que hay fugas.

Antes de utilizar la parrilla, verifique todos los accesorios de suministro de gas para buscar posibles fugas. No utilice la parrilla hasta no haber verificado todas las conexiones y que estas no pierdan.

Instrucciones de operación

INSTALACIÓN DEL GAS

Sólo debe utilizar el regulador de presión y el ensamble de la manguera que vienen con la parrilla. Todo reemplazo del regulador de presión y del ensamble de la manguera debe ser el que indica el fabricante de la parrilla. Esta parrilla está configurada para su uso con propano líquido. No utilice un suministro de gas natural.

El consumo total de gas (por hora) con todos los mecheros en la posición máxima (HIGH):

| | |
|--------------------|----------------|
| Quemador principal | 12,000 BTU/Hr. |
| Total | 12,000 BTU/Hr. |

The installation of this appliance must conform with local codes or, in the absence of local codes, with either the National Fuel Gas Code, ANSI Z223.1/NFPA 54, National Gas Propane Installation Code, CSA B149.1, or Propane Storage and Handling Code.

REQUISITOS DEL CILINDRO DE PROPANO LÍQUIDO

(Cilindro de 1 libra)

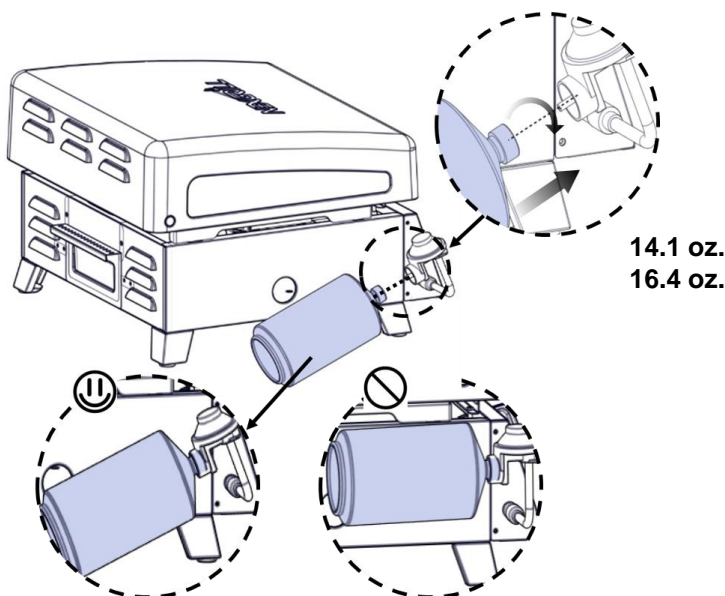
Un cilindro de propano líquido abollado u oxidado puede ser peligroso y su proveedor debe verificarlo. Nunca use un cilindro con una válvula dañada. El cilindro de propano líquido debe construirse y marcarse de acuerdo con las especificaciones para cilindros de propano líquido del Departamento de Transporte de los Estados Unidos (DOT) o del Estándar Nacional de Canadá, CAN / CSA-B339, Cilindros, Esferas y Tubos para el Transporte de Peligrosos. Comisión de bienes.

Use cilindros de LP desechables con una capacidad de 14.1 oz. o 16.4 oz equipado con una conexión CGA # 600.

⚠ PRECAUCIÓN: Utilice únicamente cilindros marcados como "Propano".

1. Asegúrese de que la perilla de control del quemador esté apagada presionándola y girándola en el sentido de las agujas del reloj a la posición apagado.
2. Mientras sostiene la manija de transporte más cercana al cilindro de propano con una mano, empuje el cilindro de propano hacia el regulador y gírelo en el sentido de las agujas del reloj hasta que quede apretado.
3. Se permite el almacenamiento de un artefacto a gas para cocinar al aire libre en interiores solo si el cilindro se desconecta y se retira del artefacto a gas para cocinar al aire libre. El sistema del cilindro debe estar dispuesto para la extracción de vapor. El cilindro debe incluir un collar para proteger la válvula del cilindro.

Presión del colector: (operativo) 11 en columna de agua (2.74 kPa), (no operativa) 11.2 en columna de agua (2.79 kPa).



Instrucciones de operación

CONECTANDO EL CILINDRO DE PROPANO LÍQUIDO

Para conectar el cilindro de suministro de gas propano líquido:

La válvula del cilindro debe estar en la posición apagado. De lo contrario, gire la válvula en el sentido de las agujas del reloj hasta que se detenga.

Asegúrese de que la válvula del cilindro tenga las conexiones de rosca macho externas de tipo 1 apropiadas según ANSI Z21.81.

Asegúrese de que las válvulas del quemador estén en la posición apagado.


Inspeccione las conexiones de la válvula, el puerto y el conjunto del regulador. Retire la suciedad e inspeccione la manguera para ver si está dañada.

Cuando conecte el conjunto del regulador a la válvula, use su mano para apretar la tuerca en el sentido de las agujas del reloj hasta que se detenga. El uso de una llave puede dañar la tuerca de acoplamiento rápido y provocar una situación peligrosa

Abra completamente la válvula del cilindro girando la válvula en sentido antihorario.

Antes de encender la parrilla, use una solución de agua y jabón para verificar si hay fugas en todas las conexiones.

Si se encuentra una fuga, apague la válvula del cilindro y no use la parrilla hasta que un distribuidor local de propano líquido pueda hacer las reparaciones.

 Nunca intente usar equipo dañado u obstruido. Consulte a su distribuidor local de propano líquido para su reparación.

DESCONECTANDO EL CILINDRO DE PROPANO LÍQUIDO

Apague las válvulas del quemador de la parrilla y asegúrese de que la parrilla esté fría.

Gire la válvula del cilindro de propano líquido a apagado girándola en el sentido de las agujas del reloj hasta que se detenga.

Separe el conjunto del regulador de la válvula del cilindro girando la tuerca de acoplamiento rápido en sentido antihorario.

Coloque la tapa contra el polvo en la salida de la válvula del cilindro siempre que el cilindro no esté en uso.

Instale únicamente el tipo de tapa antipolvo en la salida de la válvula del cilindro que se proporciona con la válvula del cilindro. Otros tipos de tapas o enchufes pueden provocar fugas de propano.

PRUEBA DE FUGAS

GENERAL

Although gas connections on the grill are leak-tested prior to shipment, a complete leak test must be performed at the installation site. Before each use, check all gas connections for leaks using the procedures listed below.

If the smell of gas is detected at any time, you should immediately check the entire system for leaks.

ANTES DE PRUEBAS

Make sure all packing materials have been removed from the grill, including any burner tie-down straps.

ADVERTENCIA

Compruebe todas las conexiones de suministro de gas para detectar fugas antes de cada uso. No use la parrilla hasta que todas las conexiones hayan sido revisadas y no tengan fugas. No fume mientras prueba fugas. Nunca haga una prueba de fugas con una llama abierta.

Haga una solución de una parte de detergente líquido y una parte de agua. Necesitará una botella de spray, un cepillo o un trapo para aplicar la solución a los accesorios. Para la prueba de fugas inicial, asegúrese de que el cilindro de propano líquido esté lleno.

(Continúa en la página siguiente)

Instrucciones de operación

PROBAR

1. Apague la válvula del quemador.
2. Aplique la solución de jabón a todos los accesorios de gas. Las burbujas de jabón aparecerán donde haya una fuga.
3. Si hay una fuga, cierre inmediatamente el suministro de gas y apriete las conexiones con fugas.
4. Vuelva a encender el gas y vuelva a verificar.
5. Si el gas continúa escapándose de cualquiera de los accesorios, apague el suministro de gas y comuníquese con nuestro Departamento de Servicio al Cliente en EE. UU. : 1-800-913-8999, de 8:00 a.m. a 5 p.m., PST, de lunes a viernes.
6. Si hay evidencia de abrasión o desgaste excesivo, debe ser reemplazado antes de poner en funcionamiento el aparato de gas para cocinar al aire libre.
7. Solo aquellas partes recomendadas por el fabricante deben usarse en la parrilla. Las sustituciones anularán la garantía.

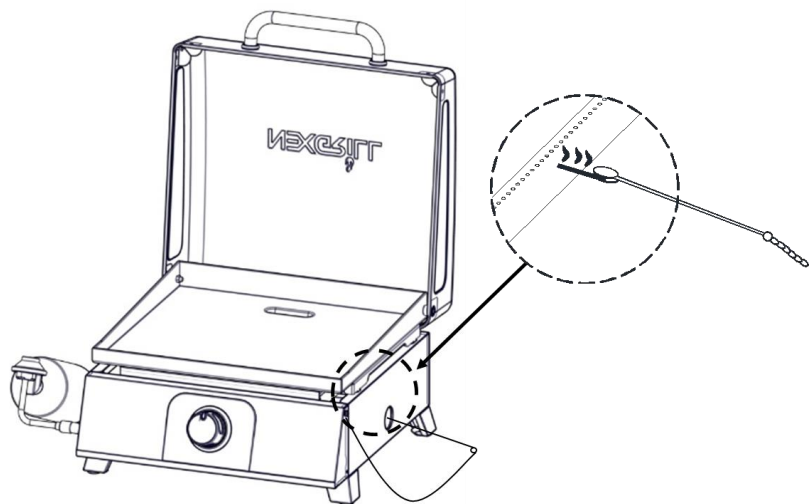
ADVERTENCIA

No guarde la parrilla en el interior a menos que el cilindro esté desconectado. No guarde el cilindro en un edificio, garaje o cualquier otra área cerrada, y manténgalo fuera del alcance de los niños en todo momento.

ILUMINANDO LA PARRILLA

1. Asegúrese de que el cilindro de propano esté firmemente enroscado en el regulador (apriete a mano solamente).
2. Abra la tapa. Siempre abra la tapa cuando se enciende.
3. Poussez et tournez le bouton de commande à haute. El quemador debe encenderse inmediatamente.
4. Con el quemador encendido, cierre suavemente la tapa y deje que la parrilla se caliente durante 5-10 minutos antes de su uso.
5. Si la ignición no ocurre dentro de 3-5 segundos, apague la perilla de control apagado. Espere 5 minutos antes de intentar volver a encender la parrilla. Si la parrilla no se enciende después del segundo intento, llame a nuestro Departamento de Servicio al Cliente a EE. UU. : 1-800-913-8999. Con el quemador encendido, cierre suavemente la tapa y deje que la parrilla se caliente durante 20-30 minutos antes de usarla.

Nota: Si la perilla no puede encenderse, inserte una cerilla. Encienda el fósforo y la inserción a través de un agujero en la parte izquierda de la caja de fuego, como se muestra a continuación.



APAGANDO LA PARRILLA

1. Gire la perilla del regulador a la posición apagado.

Precaución: No intente volver a encender la parrilla sin seguir todas las instrucciones de iluminación. Permita que el cuerpo de la parrilla se enfríe durante al menos 30 minutos y retire el tanque de propano antes de intentar moverlo o transportarlo.

Sazonando su plancha

IMPORTANCIA DE SAZONAR SU PLANCHA

Es muy importante mantener una plancha sazonada, para mantener un rendimiento óptimo y una vida útil prolongada de la plancha. Sazonar su plancha tiene dos propósitos:

- a) Evita la oxidación y la corrosión.
- b) Crea una superficie de cocción antiadherente permanente.

El condimento es un proceso que mejora continuamente a lo largo de la vida de su plancha. El cuidado y el mantenimiento adecuados, así como el condimento después de cada uso, darán como resultado una mejor experiencia de cocción.

PRIMER USO

Su plancha viene pre-sazonada con una capa de aceite de cocina para evitar la corrosión y el daño durante el proceso de envío. Antes de usar su plancha por primera vez, lave la parte superior y el interior de la superficie de la plancha con agua caliente y jabón. Nunca use jabón en su plancha **DESPUÉS DEL PRIMER USO**. Enjuague y seque por completo, luego continúe con los pasos de aderezo.

ALIMENTACIÓN DE SU REJILLA

1. Limpie completamente los residuos de comida.
2. Aplique uniformemente una cantidad generosa de aceite de cocina (semillas de lino, oliva, vegetales, etc.) a la superficie de la plancha caliente.
3. Con una toalla de papel, esparza aceite de cocina cuidadosamente sobre toda la superficie de la plancha caliente.
4. Deje que la plancha se enfríe por completo antes de guardarla en un lugar fresco y seco.

DESPUÉS DE CADA USO

Para limpiar la plancha después de cada uso, raspe suavemente los restos de comida restantes con una espátula y limpie con una toalla. Para eliminar la comida atascada, vierta agua caliente sobre la superficie de la plancha para aflojar los residuos o use $\frac{1}{4}$ de taza de sal de mesa para que actúe como un abrasivo. A continuación, siga los pasos para "SEASONING YOUR GRIDDLE".

Cuidado y Mantenimiento

Se necesita muy poco cuidado y mantenimiento. The Tabletop Grill está diseñado y fabricado con materiales que durarán muchos años con un uso normal. Seguir estas instrucciones mejorará la longevidad de la parrilla y la calidad de la cocción. Para garantizar el funcionamiento seguro de su parrilla, el área de cocción siempre debe mantenerse libre de materiales combustibles de cualquier tipo, como gasolina u otros vapores o líquidos inflamables.

Partes externas de la parrilla - se pueden limpiar fácilmente con agua tibia y jabón.

Copa de grasa - se puede limpiar fácilmente con agua tibia y jabón.

Precaución: La copa de grasa debe mantenerse limpia y libre de una gran acumulación para que la parrilla funcione correctamente y para eliminar los brotes.

Quemador principal - Se debe tener extremo cuidado al retirar un quemador. Debe centrarse correctamente en el orificio antes de intentar encender nuevamente la parrilla. La frecuencia de limpieza dependerá de la frecuencia con la que use la parrilla. Si no se coloca correctamente el quemador en su posición podría provocar un incendio, lo que dañaría la parrilla y haría que no sea seguro utilizarla.

Antes de limpiar, asegúrese de que el suministro de gas y la perilla del regulador estén en la posición apagado (apagado) y los quemadores se hayan enfriado. Para quitar los quemadores principales para la limpieza:

1. Retire el conjunto del regulador del extremo del quemador.
2. Ubique el tornillo del quemador dentro de la cámara de combustión.
3. Retire el tornillo y deslice el quemador fuera de la cámara de combustión.

Para limpiar el quemador:

1. Limpie el exterior del quemador con un cepillo de alambre. Use un raspador de metal para manchas difíciles o suciedad.
2. Despeje los puertos obstruidos con un clip de papel enderezado. Nunca use un palillo de madera ya que puede romperse y obstruir el puerto.
3. Controle y limpie quemadores / tubos Venturi para insectos y nidos de insectos. Un tubo obstruido puede provocar un incendio debajo y detrás del panel de control principal.

Para re-instalar el quemador:

1. Inserte el quemador en la caja de fuego.
2. Alinee el orificio del tornillo del quemador con el agujero de la caja de fuego, inserte el tornillo y apriételo.
3. Vuelva a instalar el conjunto del regulador en el extremo del quemador.

Caja de fuego - use agua tibia y jabón para limpiar esta área. No permita que la grasa se acumule.

Agujero de drenaje: el orificio de drenaje debe mantenerse libre de grasa y partículas de alimentos para permitir que los goteos drene correctamente en la bandeja de grasa. Esto debe hacerse para mantener el funcionamiento correcto de su parrilla.

General - esta parrilla, como todos los equipos, se verá mejor y durará más si se mantiene fuera del clima cuando no está en uso.

Cuidado y Mantenimiento

Precaución: No guarde los cilindros de propano en áreas cerradas. Cuando use una tapa o mueva la parrilla, siempre espere hasta que la parrilla se haya enfriado durante al menos 30 minutos.

- No obstruya el flujo de aire de combustión y ventilación.
- Un tubo obstruido puede provocar un incendio debajo del aparato.

Esta unidad debe mantenerse en un área libre de materiales combustibles, gasolina y otros vapores y líquidos inflamables.

Asegúrese de que todas las aberturas en el cuerpo de la parrilla estén libres de obstrucciones o desechos y que no haya objetos o materiales que bloqueen el flujo de combustión o ventilación. Asegúrese de que las piernas estén en la posición elevada cuando use la parrilla.

Verifique las aberturas de entrada de aire del quemador (detrás de la protección de entrada en el extremo derecho del cuerpo de la parrilla) en busca de nidos o bloqueos de insectos. Asegúrese de que las ranuras en el tubo del quemador estén limpias.

Cuando la parrilla no esté en uso, gire la perilla de control a la posición apagado (apagado) y retire el cilindro de propano del regulador. Retire el regulador del quemador.

Solo para uso en exteriores, si se almacena en interiores, separe el cilindro de propano y guárdelo afuera. Los cilindros de propano deben almacenarse fuera del alcance de los niños.

ESTE APARATO DE COCINAR SÓLO PARA USO AL AIRE LIBRE Y NO DEBE UTILIZARSE EN UN EDIFICIO, GARAJE O EN CUALQUIER OTRA ZONA CERRADA.

INSTRUCCIONES DE MOVIMIENTO

- **Precaución:** Nunca mueva la parrilla con el quemador encendido.
- Asegúrese de que la perilla de control esté en la posición apagado. Desconecte el cilindro de propano del regulador.
- Asegúrese de que la parrilla se haya enfriado por completo durante al menos 30 minutos.
- Nota: Lo mejor es dejar la bandeja de grasa en su lugar unida a la parte inferior de la parrilla; algo de grasa puede continuar goteando desde el orificio de drenaje durante el transporte.

ADVERTENCIA

Las arañas y los insectos pueden anidar dentro de el quemador de la parrilla e interrumpir el flujo de gas. Esta condición muy peligrosa podría causar un incendio detrás del panel de la válvula, lo que dañaría la parrilla y la haría insegura para el funcionamiento. Inspeccione la parrilla al menos dos veces al año.

Cuándo buscar arañas

Debe inspeccionar los quemadores al menos dos veces al año o inmediatamente después de que ocurra cualquiera de las siguientes condiciones:

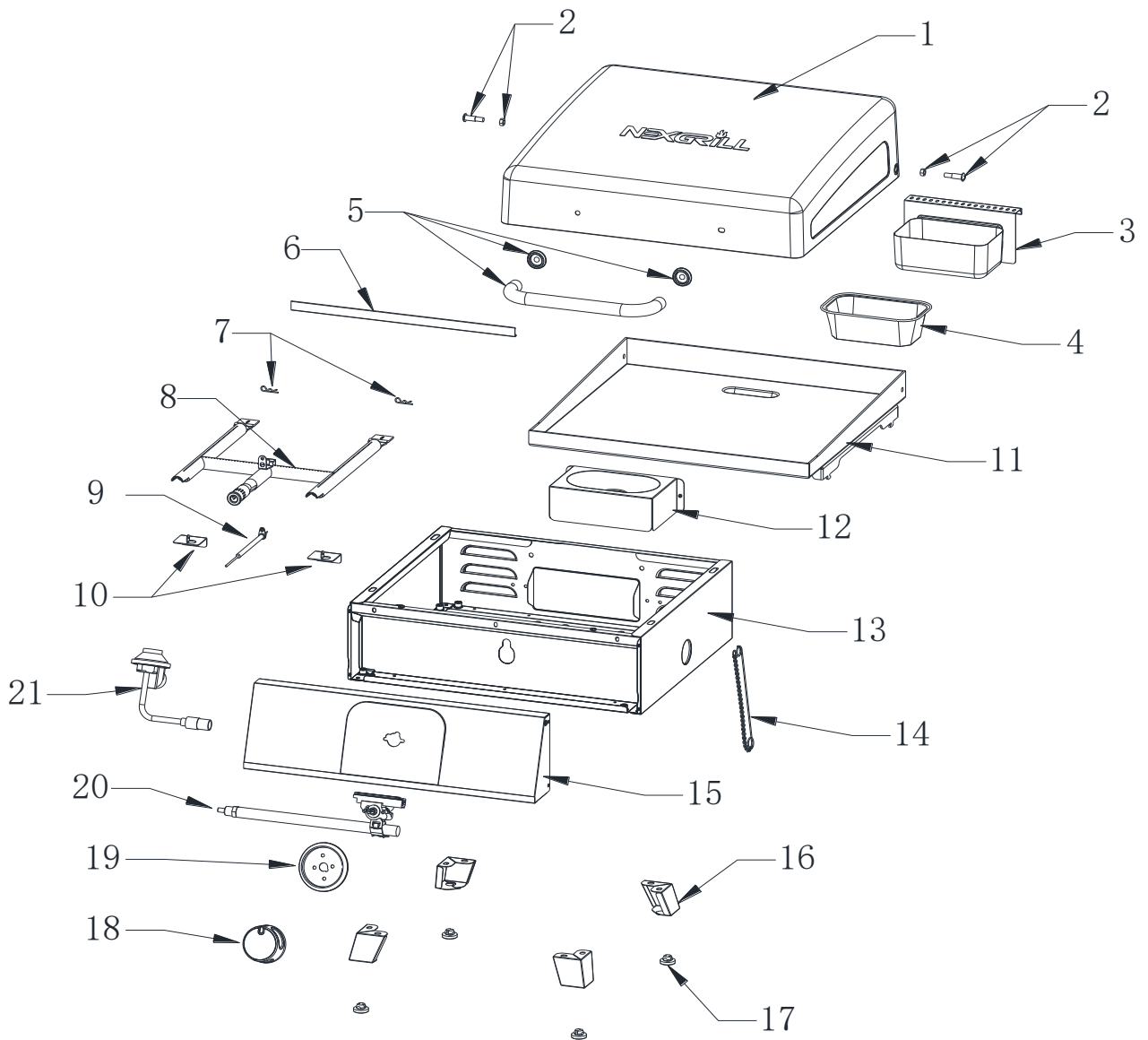
1. El gas se puede oler junto con las llamas del quemador que aparecen amarillas.
2. La parrilla no alcanza la temperatura.
3. La parrilla se calienta de manera desigual.
4. Los quemadores hacen ruidos de explosión.

Solución de Problemas

| Problema | Qué Hacer |
|---|---|
| La parrilla no enciende | <ul style="list-style-type: none">• Verifique si el cilindro de propano líquido está vacío.• Verifique los puertos de los quemadores por cualquier bloqueo. Use un cepillo de alambre suave para despejar los puertos tapados.• Verifique que el orificio de gas en el quemador no esté obstruido. Si el orificio está bloqueado, límpielo con una aguja o un cable delgado. NUNCA UTILICE UN PALILLO DE MADERA. |
| La llama del quemador es amarilla o naranja y hay olor a gas. | <ul style="list-style-type: none">• Busque arañas e insectos.• Llame a nuestro departamento de Servicio al Cliente llamando al U.S.A:1-800-913-8999, de 8 a.m. a 5 p.m. de lunes a viernes |
| Poco calor con la perilla de control en la posición "HIGH". | <ol style="list-style-type: none">1. Asegúrese de que el área de la parrilla este libre de polvo.2. Asegúrese de que el quemador y el orificio estén limpios.3. Revise si hay arañas o insectos.4. Hay un suministro de gas suficiente?5. Se precalentó la parrilla durante 15 minutos? |

Si la parrilla no funciona correctamente, realice cada comprobación de la siguiente lista antes de ponerse en contacto con el servicio al cliente.

Vista en Detalle



¿Consultas, problemas, piezas que faltan? Antes de regresar al vendedor, comuníquese con nuestro departamento de Servicio al Cliente llamando al U.S.A.: 1-800-913-8999, de 8 a.m. a 5 p.m. de lunes a viernes.

Piezas de Repuesto

| NO. | PIEZA (DESCRIPCIÓN) | COBERTURA DE GARANTÍA (años) | CANT. | NO. | PIEZA (DESCRIPCIÓN) | COBERTURA DE GARANTÍA (años) | CANT. |
|-----|---|---------------------------------------|-------|-----|-------------------------------------|---------------------------------------|-------|
| 1 | Tapa principal | 1 | 1 | 12 | Escudo térmico de la taza de grasa | 1 | 1 |
| 2 | Conjunto de tornillos de la tapa principal | 1 | 2 | 13 | Ensamblaje del fogón | No reemplazable | 1 |
| 3 | Caja para grasa | 1 | 1 | 14 | Varilla de encendido | 1 | 1 |
| 4 | Transatlántico | 1 | 1 | 15 | Panel de control | 1 | 1 |
| 5 | Manija principal de la tapa principal | 1 | 1 | 16 | Pierna del carro | 1 | 4 |
| 6 | Escudo de viento | 1 | 1 | 17 | Amortiguador de la pierna del carro | 1 | 4 |
| 7 | Conjunto de pasador de quemador | 1 | 2 | 18 | Perilla de control | 1 | 1 |
| 8 | Ensamblaje del quemador principal | 5 | 1 | 19 | Bisel | 1 | 1 |
| 9 | Cable del encendedor del quemador principal | 1 | 1 | 20 | Válvula de gas y colector principal | 1 | 1 |
| 10 | Soporte del quemador principal | 1 | 2 | 21 | Regulador LP | 1 | 1 |
| 11 | Plancha | 1 | 1 | | Manual | | 1 |

Garantía Limitada

Nexgrill garantiza solamente al consumidor-comprador original de este producto (Modelo N° 820-BC002) que el mismo estará libre de defectos en los materiales y la mano de obra después del ensamblaje correcto y bajo uso normal y razonable en el hogar, durante los períodos indicados a continuación, a partir de la fecha de compra. El fabricante se reserva el derecho de exigir evidencia fotográfica del daño o la devolución de las piezas defectuosas con los gastos por envío y/o flete prepagados por el consumidor, para su revisión y examen.

Quemadores: Garantía LIMITADA de 5 años contra perforaciones.

Plancha: Garantía LIMITADA de 1 año; no cubre caída, desportilladuras, rayones o daños en la superficie.

Todas otras piezas: Garantía LIMITADA de 1 año (incluye, pero sin limitación, válvulas, marco, caja de fuego, panel de control, encendedor, regulador, mangueras); *No cubre desportilladuras, corrosión en la superficie agrietada, rayones ni óxido.

Una vez que el consumidor provea la prueba de compra como se indica en la presente, el Fabricante reparará o reemplazará las piezas que hayan probado ser defectuosas durante el período cubierto por la garantía. Las piezas necesarias para completar la reparación o el reemplazo se proveerán gratuitamente, excepto por los costos de envío, siempre y cuando el comprador esté dentro del período de la garantía a partir de la fecha de compra original. El comprador-consumidor original será responsable por todos los cargos por envío de las piezas reemplazadas bajo los términos de esta garantía limitada. Esta garantía limitada es aplicable solamente en los Estados Unidos, está disponible solamente para el dueño original del producto y no es transferible. El fabricante requiere una prueba razonable de la fecha de compra. Por lo tanto, usted deberá conservar su recibo de compra y/o la factura. Si la unidad fue recibida como regalo, solicite a la persona que le hizo el regalo que envíe el recibo en su nombre a la dirección que aparece debajo. Las piezas defectuosas o faltantes que estén cubiertas por esta garantía limitada no serán reemplazadas sin el registro o la prueba de compra. Esta garantía limitada se aplica SOLAMENTE a la funcionalidad del producto y no cubre problemas estéticos tales como rayones, abolladuras, corrosión o decoloración ocasionada por el calor, los limpiadores abrasivos y químicos o cualquier herramienta usada en el ensamblaje o la instalación del aparato, óxido de la superficie o decoloración de las superficies de acero inoxidable. El óxido, la corrosión o las desportilladuras de la pintura en polvo de la superficie en las piezas de metal que no afecten la integridad estructural del producto no se considera un defecto en la mano de obra ni en los materiales, y por lo tanto no están cubiertos bajo esta garantía. Bajo esta garantía limitada, usted no recibirá un reembolso por el costo de cualquier inconveniencia, alimento, herida personal o daño a la propiedad. Si no existe una pieza original de repuesto, se le enviará una pieza de repuesto equivalente. Usted será responsable por todos los cargos por envío de las piezas reemplazadas bajo los términos de esta garantía limitada.

EL FABRICANTE NO PAGARÁ POR LOS SIGUIENTES ARTÍCULOS:

- Visitas de servicio a su hogar.
- Reparaciones cuando su producto se use de un modo diferente al doméstico o residencial normal de una familia.
- Daños causados por accidente, alteración, uso indebido, falta de mantenimiento/limpieza, abuso, incendio, inundación, actos fortuitos, instalación incorrecta, instalación que no esté de acuerdo con los códigos eléctricos o de plomería, o el empleo de productos no aprobados por el fabricante.
- Cualquier pérdida de comida debida a la falla del producto.
- Costos de piezas de repuesto o gastos de reparación para unidades que se empleen fuera de los Estados Unidos o Canadá.
- Recogida y entrega de su producto.
- Cargos por envío o cargos por procesamiento de fotos enviadas como documentación.
- Reparaciones de piezas o sistemas como resultado de modificaciones no autorizadas que se hayan efectuado en el producto.
- La remoción y/o reinstalación del producto.
- Costos por transporte, común o acelerado, para las piezas de repuesto bajo garantía o sin garantía.

EXCLUSIÓN DE GARANTÍAS IMPLÍCITAS; LIMITACIÓN DE RECURSOS

La reparación o el reemplazo de las piezas defectuosas será su único recurso bajo los términos de esta garantía limitada. El fabricante no será responsable por cualquier daño consecuente o incidental que surja del incumplimiento de esta garantía limitada o de cualquier garantía implícita que sea aplicable, ni por la falla o daños ocasionados por actos fortuitos, el cuidado y mantenimiento inadecuados, incendios ocasionados por grasa, accidentes, alteraciones, el reemplazo de piezas por parte de alguien que no sea el Fabricante, uso indebido, transporte, uso comercial, abuso, medioambientes hostiles (inclemencias del tiempo, catástrofes naturales, manipulación por parte de animales), instalación incorrecta o instalación que no esté de acuerdo con los códigos locales o las instrucciones impresas por el fabricante.

ESTA GARANTÍA LIMITADA SERÁ LA ÚNICA GARANTÍA EXPRESA OTORGADA POR EL FABRICANTE. NO EXISTIRÁ NINGUNA OTRA GARANTÍA POR PARTE DEL FABRICANTE CON RESPECTO AL DESEMPEÑO SEGÚN LA ESPECIFICACIÓN O LA DESCRIPCIÓN DEL PRODUCTO, EN DONDE SEA QUE APAREZCA, EXCEPTO EN LA MEDIDA EN QUE SE HA INDICADO EN ESTA GARANTÍA LIMITADA. TODA PROTECCIÓN POR GARANTÍAS IMPLÍCITAS QUE SURJA BAJO LAS LEYES DE CUALQUIER ESTADO, INCLUIDAS LAS GARANTÍAS IMPLÍCITAS DE COMERCIABILIDAD O DE CAPACIDAD PARA UN PROPÓSITO O USO EN PARTICULAR, ESTARÁ LIMITADA EN SU DURACIÓN A LA DURACIÓN DE ESTA GARANTÍA LIMITADA.

Ni los distribuidores, ni el establecimiento minorista que venda este producto, tendrán ninguna autoridad para hacer garantías adicionales o para prometer recursos adicionales a los establecidos anteriormente o en contra de los mismos. En todo caso, la máxima responsabilidad del fabricante no excederá del precio documentado por la compra del producto pagado por el consumidor original. Esta garantía se aplica solamente para las unidades compradas a un minorista o revendedor autorizado.

NOTA: Algunos estados no permiten la exclusión o limitación de daños incidentales o consecuentes, de modo que las limitaciones o exclusiones indicadas anteriormente pueden no aplicarse en su caso; esta garantía limitada le otorga derechos legales específicos según se indica en la presente. Es posible que usted tenga también otros derechos que varían de un estado a otro.

Si usted desea llevar a cabo una acción por cualquier obligación bajo esta garantía limitada, deberá escribir a:

Nexgrill Customer Relations
14050 Laurelwood Place
Chino, CA 91710
Estados Unidos

Para obtener un reemplazo del product. Por favor, llame al Departamento de Servicio al Cliente al: 1-800-913-8999 (E.U.), 1-800-648-5864 (Canada), y 1-909-598-1812 (Internacional). Lenguajes hablados: Ingles, Frances, y Español de 8 a.m.-5 p.m., PST. Lunes a Viernes.
CustomerService@grillservices.com



©2021 NEXGRILL INDUSTRIES, INC.
CHINO, CA. 91710
WWW.NEXGRILL.COM
1-800-913-8999