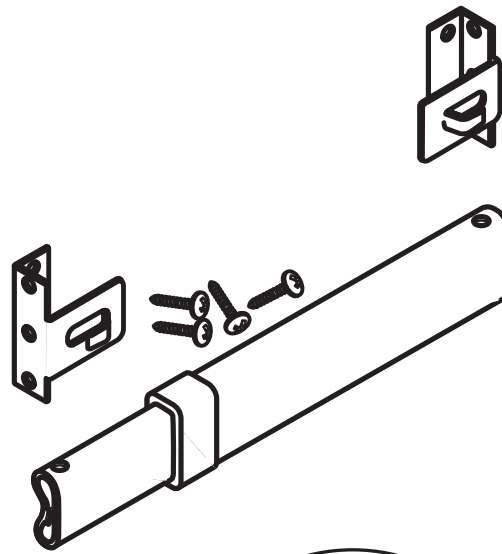
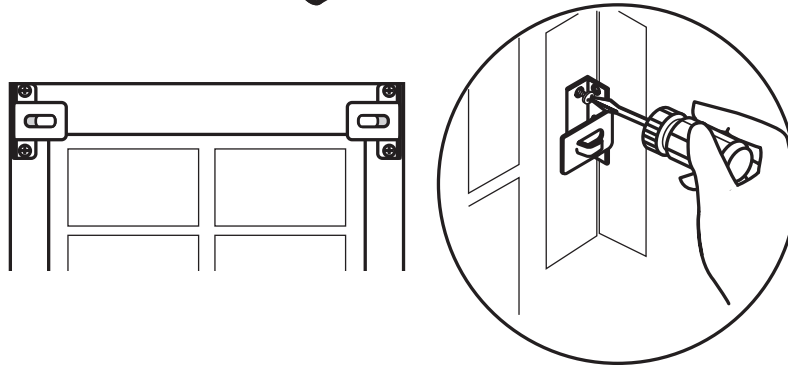


# Sash Rod Installation Instruction

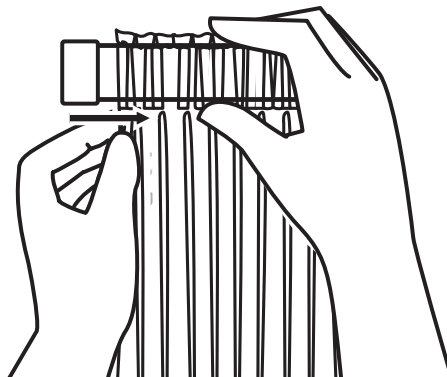
1



2



3



4

