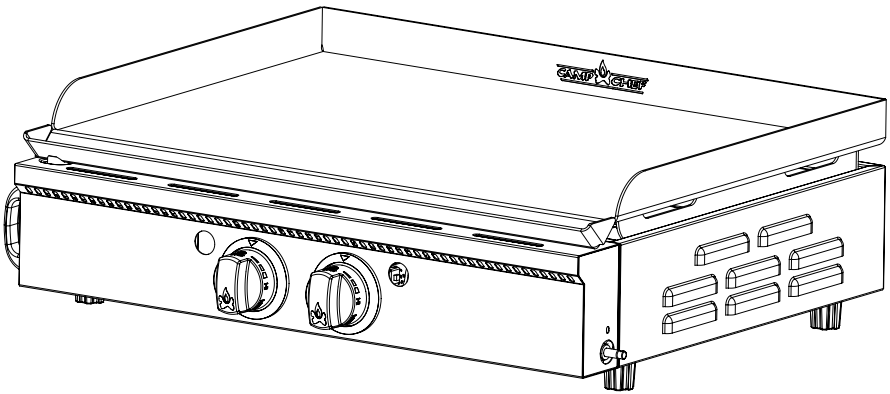




# VERSATOP 2X GRILL



**WARNING & INSTRUCTION BOOKLET  
MODEL FTG400**

**⚠ WARNING**

**FOR OUTDOOR USE ONLY**

**⚠ DANGER**

If you smell gas:

1. Do not attempt to light the appliance.
2. Extinguish any open flame.
3. Disconnect from fuel supply.
4. If odor continues, keep away from the appliance and immediately call your fire department.

Failure to follow these instructions could result in fire, explosion or burn hazard, which could cause property damage, personal injury or death.

**⚠ WARNING**

- To installer or person assembling this appliance: Leave this manual with this appliance for future reference.
- To consumer: Keep this manual with this appliance for future reference.

This instruction manual contains important information necessary for the proper assembly and safe use of this product. Read and follow all warnings and instructions before assembling and using this appliance. Do not discard this instruction manual.

**⚠ WARNING**

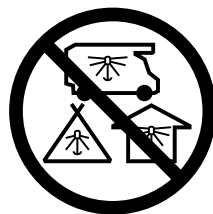
1. DO NOT store or use gasoline or other flammable liquids or vapors in the vicinity of this or any other appliance.
2. An LP cylinder not connected for use shall not be stored in the vicinity of this or any other appliance.

**⚠ DANGER**

1. Never operate this appliance unattended.
2. Never operate this appliance within 10 ft (3 m) of any structure, combustible material or other gas cylinder.
3. Never operate this appliance within 25 ft (7.5 m) of any flammable liquid.
4. Never allow oil or grease to get hotter than 400°F (200°C). If the temperature exceeds 400°F (200°C), or if oil begins to smoke, immediately turn burner or gas supply OFF.
5. Heated liquids remain at scalding temperatures long after the cooking process. Never touch cooking appliance until liquids have cooled to 115°F (45°C) or less.
6. If a fire should occur, keep away from appliance and immediately call your fire department. Do not attempt to extinguish an oil or grease fire with water.

**⚠ DANGER**

**CARBON MONOXIDE HAZARD**



This appliance can produce carbon monoxide which has no odor. Using it in an enclosed space can kill you. Never use this appliance in an enclosed space such as a camper, tent, car or home.

1. Do NOT leave this appliance unattended while in use. The user must remain in the immediate area of the product and have a clear view of the product at all times during operation.
  2. Keep children and pets away from burner at all times.
  3. The use of alcohol, prescription or non-prescription drugs may impair your ability to properly assemble or safely operate this appliance.
  4. For OUTDOOR use only. Do NOT use in a building, garage or any other enclosed area. Do NOT use in or on recreational vehicles or boats. NEVER use this appliance as a heater.
  5. Do not operate appliance under ANY overhead construction. Keep a minimum clearance of 2 feet (.6 m) from the sides, front and back of appliance to ANY construction. Keep the area clear of all combustible material and flammable liquids, including wood, dry plants and grass, brush, paper, and canvas.
  6. Use ONLY on a level, stable surface. Do not use on plastic tables.
  7. To prevent accidental fires, before using the appliance ensure that all joints and connections are not leaking, leave the burner valve closed, and apply a soapy solution to the joints and connections. If a continuous hissing sound is heard, or if the soapy solution bubbles, there is a leak. Do not use the appliance if there is a leak. Replace the faulty parts.
  8. Extinguish all open flames before connecting the gas supply to the appliance and before checking for leaks.
  9. When cooking with oil or grease, fire extinguishing materials shall be readily accessible. In the event of an oil or grease fire do NOT attempt to extinguish with water. Use a Type BC dry chemical fire extinguisher or smother fire with dirt, sand or baking soda.
  10. Do NOT move the appliance when in use. Allow unit to cool to 115°F (45°C) before moving or storing.
  11. This appliance will be hot during and after use. Use insulated oven mitts or gloves for protection from hot surfaces or splatter from cooking liquids.
  12. In case there is a fire, call the local fire department or dial 911. Stay clear from flames. Do not attempt to extinguish an oil or grease fire with water.
  13. This product is not intended for commercial use.
  14. Always allow the appliance to cool before putting in the carry bag
  15. Never use charcoal or wood briquets in a gas grill. Flavoring chips must be contained in a metal smoking box to contain ash and prevent fires.
  16. After cooking, allow grill and grease can to cool off completely before removing grease can.
  17. Use gloves or oven mitts to hold grease can when moving to avoid spilling hot grease.
- Do not modify this appliance. Modifications will result in a safety hazard. Questions regarding certification in other areas may be addressed to 1-435-752-3922.
  - Apartment Dwellers: Check with management to learn the requirements and fire codes for using an LP Gas appliance at an apartment. If allowed, use outside on the ground floor with a 10 foot clearance from walls or rails. Do NOT use appliance on or under any apartment, condominium balcony or deck.
  - Never use LP tank if visibly rusted, damaged, or out of date.
  - If you notice grease or other hot material dripping from appliance onto valve or regulator, turn off gas supply at once. Determine the cause, correct, clean and inspect valve and regulator before continuing. Perform a leak test.
  - The regulator may make a humming or whistling noise during operation. This will not affect the safety or use of the appliance.
  - Do not block holes in bottom or sides of appliance.
  - Never operate appliance with LP tanks out of correct position specified in Assembly Instructions.
  - NEVER store a spare LP tank under or near appliance or in enclosed areas. NEVER fill the cylinder beyond 80% full. An overfilled spare LP tank is hazardous due to possible gas released from the safety relief valve. Failure to follow these instructions exactly could cause a fire resulting in death or serious injury.
  - If you see, smell, or hear escaping gas, immediately get away from the LP tank/appliance and call your fire department.

**NOTE:** This appliance is set to use 16.4 oz. disposable propane cylinders. Use only cylinders marked propane. Disposable propane cylinders must be disconnected from the stove when it is in storage.

Refillable Bulk LP-Gas Tanks with a maximum capacity of 20 pounds may also be used with an optional bulk tank adapter hose. (Use Camp Chef Model HRDSP to connect to the bulk tank.) Refillable propane gas cylinders must be turned off at the LP-Gas supply cylinder when the stove is not in use. The LP-gas cylinder(s) used with this stove must be constructed and marked in accordance with the specifications for LP-gas cylinders of the U.S. Department of Transportation or Transport Canada, CAN/CSA B339.

### Installation Safety Precautions

- Use appliance only with LP (propane) gas and the regulator/valve assembly supplied.

### LP (Liquefied Petroleum Gas)

- LP gas is non-toxic, odorless and colorless when produced. For Your Safety, LP gas has been given an odor (similar to rotten cabbage) so that it can be smelled.
- LP gas is highly flammable and may ignite unexpectedly when mixed with air.

### Setup Using Disposable Bottle

1. Make sure burner valve is off.
2. Remove plastic cap from top of propane cylinder. Save cap for use in storing. Screw propane cylinder into regulator. Be careful not to cross thread. Hand Tighten only.



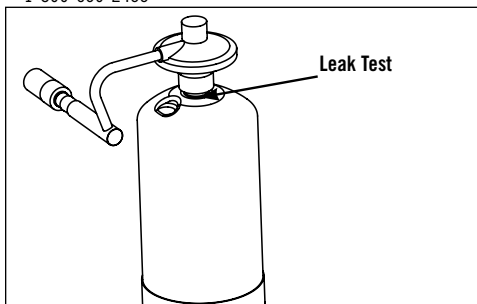
### **⚠ WARNING**

- Do not use appliance until leak checked.
- If you cannot stop a gas leak, immediately close LP tank valve and call LP gas supplier or your fire department!

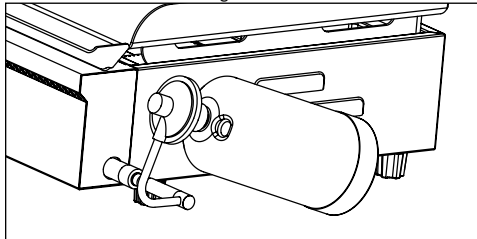
### **⚠ WARNING**

Appliance must be leak checked outdoors in well-ventilated area, away from ignition sources such as gas fired or electrical appliances. During leak test, keep appliance away from open flames or sparks.

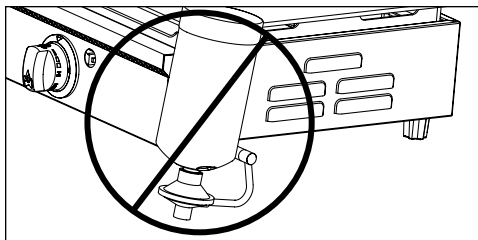
3. Check the connection between the cylinder and the regulator with soapy water. Bubbles indicate a leak. Check that the connection is not cross-threaded and that it is tight. Perform another leak check. If there is still a leak, remove the cylinder and contact the manufacturer for service or repair, 1-800-650-2433



4. The regulator uses a threaded fitting to attach to the stove. It is necessary to hold the stove to make sure the fitting is seated. Align the regulator to the fuel tube on the rear of the stove and push on. Screw on the outer threaded sleeve in a clockwise direction until tight.



5. Never operate stove with propane cylinder in an inverted position.



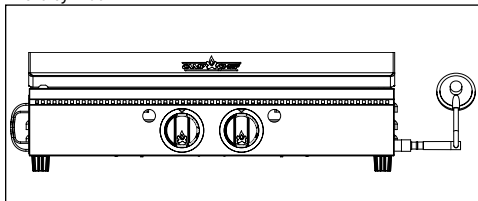
### **Lighting Instructions**

**Follow the instructions exactly.**

1. Check that the burner control knob is turned to the "OFF" position.
2. DO NOT stand with head, body, or arms over the grill when lighting.

### **Lighting The Burners**

1. Make sure control knob is in the "OFF" position.
2. Push and turn the control knob to the "HIGH" position.
3. If ignition does NOT occur in 5 seconds, turn control knob to "OFF", wait 5 minutes to allow gas to dissipate and repeat lighting procedure.
4. Repeat steps 2–3 for lighting the burner. If burner does not ignite, wait 5 minutes, see "Match Lighting the Main Burner" section.
5. To turn off, turn the control knob clockwise until it locks in the "OFF" position. This does not turn off the gas flow from the cylinder.



Note: If burner does not light or flame is too low, you may have spider or other insect blockage in burner. See "Burner Assembly/Maintenance" under Proper Care and Maintenance.

### **Match Lighting The Burners**

1. Remove all appliances from the burner to create a free flow of air.
2. Turn control valve to OFF position.
3. Light match and place it over burner. Slowly turn ON the control valve. Do NOT stand with head or arms over the cooker.
4. If ignition does not occur in 5 seconds, turn the burner control(s) off, wait 5 minutes, and repeat the lighting procedure.
5. If the burner does not light within the first few attempts of match lighting, there is a problem with the gas supply. DO NOT attempt to operate the grill until the problem is found and corrected. See "Trouble Shooting" section of this manual.



### Turning LP Cooker Off

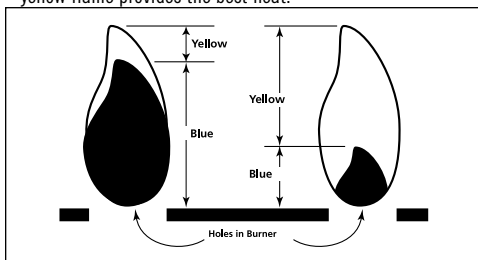
- Turn the knobs to OFF position.
- Unscrew disposable tank.

### Dismantling Disposable Propane Cylinder

1. Turn valves to the off position and make sure all flames are extinguished.
2. Remove the bottle from the regulator by turning counter-clockwise.

### Burner Flame Check

- Light burner; rotate knob from HIGH to LOW. You should see a smaller flame in LOW position than seen on HIGH. Always check flame prior to each use. A blue flame with little or no yellow flame provides the best heat.



### Cleaning The Burner

NOTE: Spiders and small insects can spin webs and build nests inside the burner. This especially occurs in late summer and fall before frost when spiders are most active. These nests can obstruct gas flow and cause a fire in and around the burner and orifice. Such a fire can cause operator injury and serious damage to the appliance. To help prevent a blockage and ensure full heat output, clean and inspect burner tube often (once or twice a month). NOTE: Water or air pressure will not normally clear a spider web.

### ⚠ WARNING

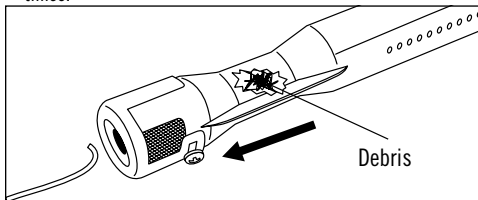
All cleaning and maintenance should only be done when the appliance is cool and with the fuel supply turned off at the LP cylinder. DO NOT clean any part in a self-cleaning oven. The extreme heat will damage the finish.

### Burner Assembly/Maintenance

- Although your burner is constructed of stainless steel, it may corrode as a result of the extreme heat and acids from cooking foods. Regularly inspect the burner for cracks, abnormal holes, and other signs of corrosion damage. If found, replace the burner.

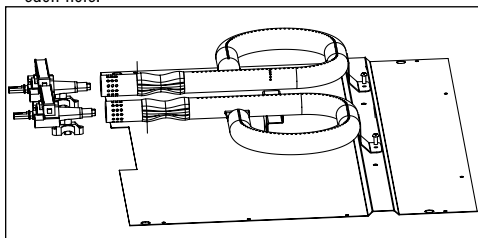
- DO NOT obstruct the flow of combustion and ventilation air. Burner tube can become blocked by spiders and other insects building their nests. Blocked burner tubes can prevent gas flow to the burner and could result in a burner tube fire or fire beneath the grill. To clean the Burner Assembly follow these instructions to clean and/or replace parts of burner assembly or if you have trouble igniting the grill.

1. Turn gas off at control knobs and disconnect tank.
2. Remove cooking appliance.
3. Remove screw from burner "foot" using a screwdriver.
4. Carefully lift burner up and away from valve openings.
5. Use a narrow bottle brush or a stiff wire bent into a small hook to run through the burner tube and flame port several times.

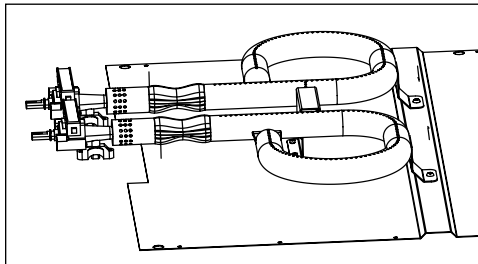


Note: Wear eye protection when performing procedure 6.

6. Use compressed air to blow into burner tube and out the flame ports. Check each port to make sure air comes out each hole.



7. Wire brush entire outer surface of burner to remove food residue and dirt.
8. Check burner for damage, if any large cracks or holes are found replace burner. IMPORTANT: Burner opening must slide over valve nozzle.
9. Orient burner CORRECTLY as shown.



10. Replace screw on burner and follow the "Gas Leak Testing" section of this manual. Relight burner to verify proper operation.

## Proper Care & Maintenance

- To protect your grill from excessive rust, the unit must be kept clean and covered at all times when not in use.
- Clean inside and outside of grill by wiping off with a damp cloth. Apply a light coat of vegetable oil or vegetable oil spray to the interior surface to prevent rusting.
- The stainless steel exterior surface of your grill, can be cleaned with stainless steel cleaner.
- Never apply paint to the interior surface. Rust spots on the interior surface can be buffed, cleaned, then lightly coated with vegetable oil or vegetable oil spray to minimize rusting.

## Cleaning and Maintenance

Correct care and maintenance will keep your appliance operating smoothly. Clean regularly as determined by the amount of use. NOTE: Clean the entire appliance each year and tighten all hardware on a regular basis (1-2 times a year or more depending on usage). Cleaning should be done where detergents won't harm patio, lawn, or the like.

## Suggested Cleaning Materials

- Mild dish washing liquid detergent
- Wire brush
- Nylon cleaning pad
- Hot water
- Paper clip
- Soft brass bristled brush

## Component Cleaning

- BURNER: Wire brush loose corrosion from burner exterior. Clean clogged gas port holes with an opened paper clip. Replace corroded or damaged burner that would emit excess gas.
- After appliance has cooled, wipe areas where paint and finish have burned off to minimize rusting.

## Griddle User Guide

Camp Chef True-Seasoned Finish means your griddle is ready to cook on and with the proper care will get better with use. Its natural non-stick surface is great for grilling or frying breakfast, lunch, or dinner.

**WARNING:** Never heat griddle on high. This can cause griddle over-heat and warping. Low to medium will provide all the heat needed to cook with. Never leave unattended.

## Preheating Instructions

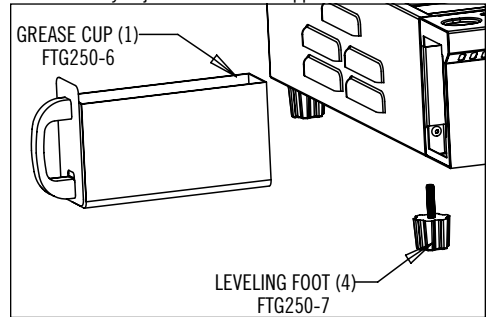
Proper pre-heating will get the best performance out of your griddle. Adjust your heat to Medium or Med-Low heat setting for approximately 5 minutes. This should produce a griddle surface temperature of 350°-400° F. Now turn heat to med-low to low for 2-3 minutes for uniform heat. You are ready to cook.

## Temperature Management

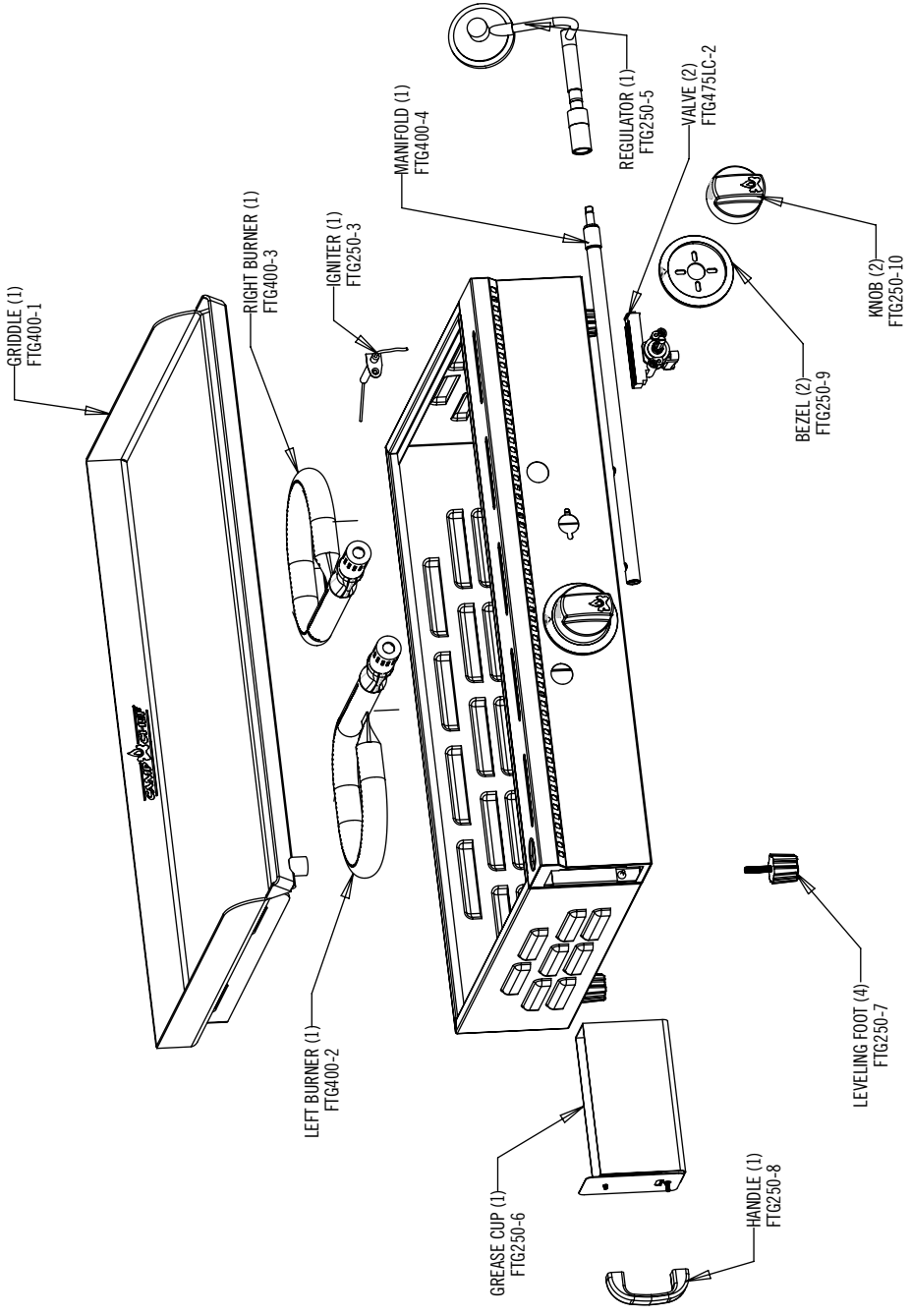
Manage heat from low to medium to maintain desired heat for the cooking conditions. Consider what the weather conditions are like. Cold and windy? You'll need more heat. What's being cooked and how much of it? Considering these elements will help you cook better and get the most of out your griddle.

## Assembly Instructions

Install grease cup in the side of grill as shown. Attach feet by screwing them in clockwise until snug. Feet can be individually adjusted to level the appliance.



# FTG400 PARTS



## LIMITED WARRANTY

### Camp Chef No-Hassle Warranty

Here at Camp Chef we stand by our products and take pride in our customer service. Because of this, your new Camp Chef product comes with a No-Hassle Warranty. What does that mean? It means that if we did something wrong, we will make it right. We guarantee our products to be free from defect in all materials and workmanship (excluding paint and finish). We will replace defective parts so you can get back to enjoying your product as soon as possible.

### Required Maintenance:

Clean your product after each use to maintain its finish and prolong its lifespan. Wipe away all grease and ashes. Keep metal products free of moisture, salts, acids and harsh fluctuations in temperature. Unfortunately, product paint and other finishes are not covered by this warranty. The exterior finish of the product will wear down over time.

### Coverage Details:

Warranty does not cover normal wear of parts or damage caused by misuse, abuse, overheating and alteration. No alterations are covered in this warranty. Camp Chef is not responsible for any loss due to neglectful operation. Furthermore, this warranty does not cover items purchased from a third-party company, unauthorized dealers, or damages caused by natural disasters such as earthquakes, hurricanes, tornadoes, floods, lightning, fires, etc.

Upon the expiration of this warranty, all such liability will terminate. No other warranties are expressed or implied.

Please keep all original sales receipts from the authorized dealer. Proof of purchase is required to obtain warranty services. Any parts or products returned without written authorization will be discarded without notice.

To obtain warranty services submit a warranty request at <http://www.campchef.com/warranty-information>, email [warranty@campchef.com](mailto:warranty@campchef.com), or call 1.800.650.2433. Our Product Specialists are happy to help.

Warranty applies to the contiguous U.S. states only.

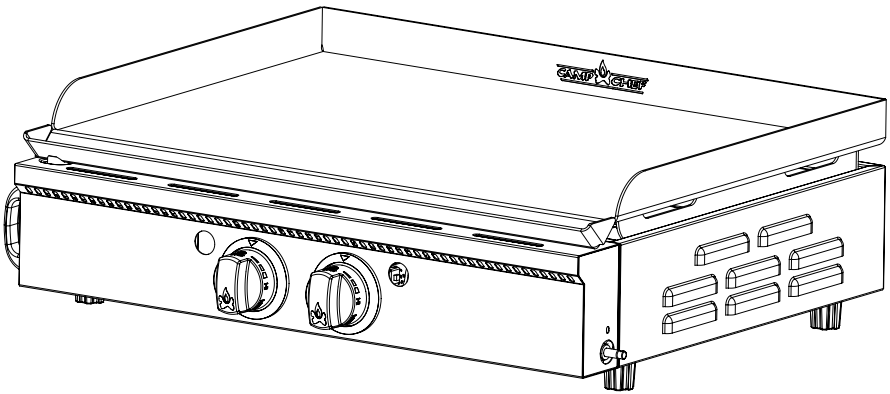
## WARRANTY COVERAGE PERIODS

Pellet Grills	3 year from purchase date
Stoves	1 year from purchase date
Fire Pits	1 year from purchase date
Water Heaters	1 year from purchase date
Movie Screens	1 year from purchase date
All other items & accessories	90 days from purchase date





# VERSATOP 2X GRILL



**MANUEL D'AVERTISSEMENT ET D'INSTRUCTIONS  
MODEL FTG400**

**⚠ DANGER**

## POUR UTILISATION EN EXTÉRIEUR SEULEMENT

**⚠ DANGER**

Si vous pouvez sentir le gaz :

1. N'essayez pas d'allumer l'appareil.
2. Éteignez toutes les flammes nues.
3. Déconnectez l'arrivée de carburant.
4. Si l'odeur persiste, appelez immédiatement votre fournisseur de gaz ou votre service des incendies.

Le non respect des instructions suivantes peut entraîner des dommages matériels, des blessures graves ou la mort résultant d'un incendie ou d'une explosion.

**⚠ AVERTISSEMENT**

1. NE PAS garder ou utiliser de l'essence ou tout autre liquide ou vapeur inflammable à proximité de cet appareil ou de tout autre appareil.
2. Il ne faut pas garder une bouteille de GPL non raccordée à proximité de cet appareil ou de tout autre appareil afin d'éviter le risque d'explosion.

**⚠ AVERTISSEMENT**

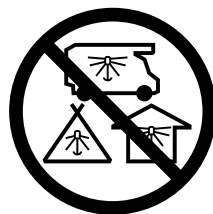
- À l'intention de l'installateur ou de la personne assemblant l'appareil : laissez ce mode d'emploi avec l'appareil pour référence future.
  - À l'intention de l'utilisateur : conservez ce mode d'emploi avec l'appareil pour référence future.
- Ce mode d'emploi comporte d'importantes informations nécessaires à l'assemblage correct et l'utilisation sûre de cet appareil. Lisez et respectez tous les avertissements et instructions avant d'assembler et d'utiliser cet appareil. Ne pas jeter ce mode d'emploi.

**⚠ DANGER**

1. Ne jamais laisser cet appareil sans surveillance.
2. Ne jamais utiliser cet appareil à moins de 3 mètres (10 pieds) d'une structure, d'un matériau inflammable ou d'un autre réservoir de gaz PL.
3. Ne pas faire fonctionner cet appareil à moins de 7,5 mètres (25 pieds) d'un liquide inflammable quelconque.
4. Ne jamais faire chauffer de l'huile ou de la graisse à plus de 200 °C (400 °F). Si la température dépasse 200 °C (400 °F), ou si l'huile commence à émettre de la fumée, éteignez complètement le brûleur ou l'alimentation de gaz.
5. Les liquides chauffés restent brûlants longtemps après la cuisson. Ne jamais toucher l'appareil de cuisson tant que les liquides n'ont pas refroidi à 45 °C (115 °F) au moins.
6. En cas d'incendie, éloignez-vous de l'appareil et appelez immédiatement les pompiers. Ne pas tenter d'éteindre un feu d'huile ou de graisse avec de l'eau.

**⚠ DANGER**

## RISQUE LIÉ AU MONOXYDE DE CARBONE



Cet appareil peut produire du monoxyde de carbone, un gaz inodore. L'utilisation de cet appareil dans un endroit clos peut tuer. N'utilisez jamais cet appareil dans un espace clos, tel qu'une caravane, une tente, une voiture ou une maison.

1. NE PAS laisser l'appareil sans surveillance lorsqu'il sert. L'utilisateur doit rester à proximité du produit de façon à pouvoir bien le voir en tout temps pendant son utilisation.
  2. En tout temps, tenir les enfants et les animaux domestiques à l'écart du brûleur.
  3. La consommation d'alcool, ou de médicaments obtenus ou non sur ordonnance, risque de diminuer la faculté du consommateur de monter correctement l'appareil ou de l'utiliser en toute sécurité.
  4. Pour usage EN PLEIN AIR uniquement. NE PAS utiliser dans un bâtiment, un garage ou tout autre endroit clos. NE PAS utiliser sur des véhicules récréatifs ou des bateaux de plaisance. NE JAMAIS utiliser cet appareil en tant qu'appareil de chauffage.
  5. Ne pas faire fonctionner l'appareil sous une structure surplombante. Maintenir un dégagement minimal de 2 m (.6 pi) sur les côtés, le devant et l'arrière de l'appareil par rapport à TOUTE construction. Garder la zone entourant l'appareil libre de matériaux combustibles et de fluides inflammables, y compris le bois, les plantes sèches et l'herbe, les broussailles, le papier et la toile.
  6. Utiliser UNIQUEMENT sur une surface plane et stable. Ne pas utiliser sur des tables en plastique.
  7. Pour éviter les feux accidentels, s'assurer, avant d'utiliser l'appareil et qu'il n'y a pas de fuite au niveau des joints et connexions, en procédant comme suit: ouvrir le robinet de la bouteille et appliquer une solution savonneuse sur les joints et les connexions. Si l'on entend un sifflement ou si le savon fait des bulles, c'est qu'il y a fuite. Dans ce cas, ne pas utiliser l'appareil. Remplacer les pièces défectueuses.
  8. Éteindre les flammes nues avant de connecter l'alimentation en gaz à l'appareil et de confirmer l'absence de fuites.
  9. Si l'on cuisine à l'huile ou en se servant de graisse, s'assurer qu'un équipement d'extinction d'incendie est à portée de main. En cas de feu d'huile ou de graisse, NE PAS essayer d'éteindre les flammes à l'eau. Utiliser un extincteur à poudre BC ou étouffer le feu au moyen de terre, de sable ou de bicarbonate de soude.
  10. NE PAS déplacer l'appareil lors de son utilisation. Laisser l'appareil refroidir à 45°C (115°F) avant de le déplacer ou de le ranger.
  11. L'appareil est chaud durant et après l'utilisation. Utiliser des gants de cuisinier isolants pour se protéger des surfaces chaudes ou des éclaboussures de liquide de cuisson.
  12. En cas d'incendie, appeler les pompiers ou composer le 911. Rester à l'écart des flammes. Ne pas tenter d'éteindre un feu d'huile ou de graisse au moyen d'eau.
  13. Ce produit n'est pas destiné à un usage commercial.
  14. Toujours laisser l'appareil refroidir avant de le recouvrir de sa housse.
  15. Jamais utilisez le charbon de bois ou le bois briquets dans un gril de gaz. Des puces d'assaisonnement doivent être contenues dans un cadre de tabagisme en métal pour contenir la cendre et pour empêcher les feux.
  16. Après la cuisson, laisser le gril et la graisse peut refroidir complètement avant de retirer la graisse peut.
  17. Utilisez des gants ou des mitaines de four pour maintenir la graisse peut lors de l'annulation fil de verrouillage de porte pour éviter de renverser la graisse chaude.
- Utiliser l'appareil uniquement avec du gaz propane (GPL) et l'ensemble régulateur/robinet fourni.
  - L'installation doit être conforme aux codes en vigueur ou à la norme NFPA 54/ANSI Z223.1. La manutention et l'entreposage des bouteilles de gaz propane doivent être conformes à la norme NFPA/ANSI 58 du « LP Gas Code ». Ne pas utiliser cet appareil à bord d'un bateau de plaisance ou d'un véhicule récréatif.
  - Ne pas modifier cet appareil. Toute modification présente des risques en matière de sécurité. Pour toute question concernant l'homologation dans d'autres régions, composer le 1-435-752-3922.
  - Pour les personnes résidant en appartement: Consulter le gérant de l'immeuble en ce qui concerne les exigences et le code des incendies particuliers à l'utilisation d'un appareil au gaz propane dans les immeuble à appartements. Si cela est permis, utiliser l'appareil en plein air à même le sol à une distance de 3 m (10 pi) des cloisons ou des mains courantes. Ne pas utiliser l'appareil au-dessus d'un appartement, sur un balcon de condo ou une terrasse, ou sous ceux-ci.
  - Ne jamais utiliser la bouteille de gaz si elle est rouillée, endommagée ou périmée.
  - Si de la graisse ou une autre substance chaude s'écoule de l'appareil sur le robinet, le tuyau ou le détendeur, couper immédiatement l'alimentation en gaz. En déterminer la cause, corriger la situation, et nettoyer et inspecter le robinet, le tuyau et le détendeur, avant de continuer. Effectuer un contrôle d'étanchéité.
  - Il est possible que le détendeur bourdonne ou siffle pendant le fonctionnement. Cela n'entraîne rien la sécurité ou le bon fonctionnement de l'appareil.
  - Ne pas bloquer les trous situés sur le bas ou les côtés de l'appareil.
  - Ne jamais faire fonctionner l'appareil si la bouteille de gaz n'est pas correctement positionnée, conformément aux instructions de montage.
  - Ne jamais ranger une bouteille de gaz de rechange sous l'appareil ou à proximité, ou dans un endroit clos. NE JAMAIS remplir la bouteille au-delà de 80% de sa capacité. Le remplissage excessif de la bouteille de rechange présente un risque en cas de décharge de gaz à partir de la soupape de sûreté. Si ces instructions ne sont pas suivies à la lettre, un incendie pouvant entraîner le décès ou des blessures graves risque de se produire.
  - Si l'on voit, sent ou entend du gaz s'échapper, s'éloigner immédiatement de la bouteille de gaz ou de l'appareil et appeler les pompiers.
- NOTE : Le présent appareil est conçu pour utiliser des bouteilles de propane jetables de 465 g (16,4 oz). Utiliser uniquement des bouteilles portant la mention « propane ». Les bouteilles de propane jetables doivent être débranchées du four pendant l'entreposage.
- Des réservoirs en vrac de GPL rechargeables d'une capacité maximale de 9 kg (20 livres) peuvent également être utilisés avec un adaptateur pour réservoir en vrac supplémentaire. (Utiliser le modèle HRDSP de Camp Chef pour le raccordement au réservoir en vrac). Les bouteilles de gaz propane

rechargeables doivent être fermées au niveau de la bouteille de GPL lorsque le four n'est pas utilisé.

La/les bouteille(s) de gaz GPL utilisée(s) avec le présent four doit/doivent être fabriquée(s) et porter les marquages conformément aux spécifications relatives aux bouteilles de gaz GPL du Ministère des transports des États-Unis ou à la norme CAN/CSA B339 de Transport Canada

### Consignes de sécurité se rapportant à l'installation

- Utiliser l'appareil uniquement avec du gaz propane (GPL) et l'ensemble régulateur/robinet fourni.

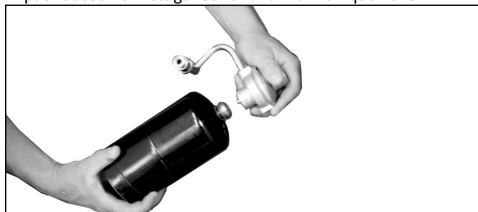
### Consignes d'allumage

#### Suivre les consignes rigoureusement.

1. Vous assurer que tous les boutons de commande des brûleurs sont en position "OFF" (arrêt)
2. NE PAS placer votre tête, votre corps ou vos bras au-dessus du gril lors de l'allumage. Allumage à l'aide de l'allumeur rotatif:

#### Assemblage avec une bouteille jetable

1. S'assurer que les boutons de réglage des brûleurs sont fermés.
2. Enlever le bouchon en plastique au-dessus de la bouteille de propane. Conserver le bouchon pour l'entreposage. Visser la bouteille de propane dans le détendeur. Faire attention de ne pas fausser le filetage. Serrer à la main uniquement.



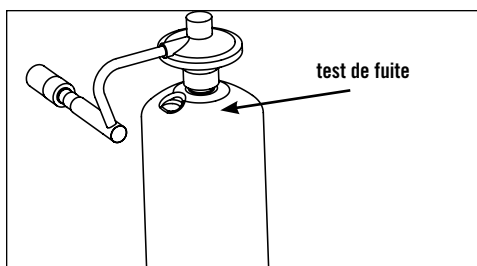
### ⚠ AVERTISSEMENT

- Ne pas utiliser l'appareil jusqu'à un contrôle d'étanchéité.
- Si vous ne pouvez pas arrêter une fuite de gaz, fermez immédiatement le robinet du réservoir et d'appeler le fournisseur de gaz propane ou de votre service d'incendie!

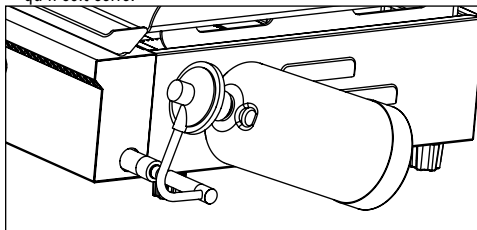
### ⚠ AVERTISSEMENT

Il est impératif de vérifier la présence de fuites au niveau de l'appareil en plein air dans un endroit bien aéré, loin des sources d'allumage comme les appareils qui fonctionnent au gaz ou à l'électricité. Pendant le test d'étanchéité, tenir l'appareil à l'écart des flammes nues ou des étincelles.

3. Vérifier le raccordement entre la bouteille et le détendeur avec de l'eau savonneuse. Des bulles indiquent une fuite. Vérifier que le filetage du raccord n'est pas faussé et que le raccordement est serré. Vérifier une deuxième fois la présence de fuites. Si une fuite subsiste, enlever la bouteille et contacter le fabricant en vue d'un entretien ou d'une réparation, 1-800-650-2433.



4. Le détendeur utilise un raccordement fileté qui s'attache au four. Il est nécessaire de tenir le four pour vous assurer que le raccordement est positionné correctement. Aligner le détendeur sur le tuyau d'alimentation à l'arrière du four et les pousser l'un contre l'autre. Visser le manchon fileté extérieur dans le sens des aiguilles d'une montre jusqu'à ce qu'il soit serré.

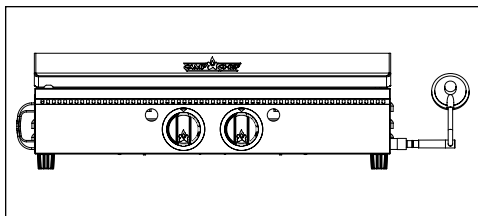


5. Ne jamais faire fonctionner le four avec une bouteille au propane dans une position inversée



### Allumage des brûleurs principaux

1. S'assurer que toutes les manettes sont en position "OFF" (arrêt).
2. Appuyer sur sa manette et le tourner en position "HIGH" (maximum).
3. Si l'allumage ne se produit PAS en 5 secondes, tourner la manette sur "OFF" (arrêt), attendre 5 minutes pour permettre au gaz de se dissiper et répéter les opérations d'allumage.
4. Répéter les opérations 3-5 pour allumer chaque brûleur. S'il s'avère impossible d'allumer un brûleur attendre 5 minutes et voir la section "Allumage des brûleurs principaux à l'aide d'une allumette".
5. Pour éteindre, tourner chaque manette dans le sens horaire jusqu'à ce qu'elle se bloque en position "OFF" (arrêt). Cela ne coupe pas la circulation de gaz depuis la bouteille.



Remarque: Si un brûleur ne s'allume pas ou si sa flamme est trop faible, cela peut être dû à une obstruction causée par des araignées ou d'autres insectes, voir la rubrique "Assemblage / entretien des brûleurs" de la section "Entretien approprié"

### Allumage des brûleurs principaux à l'aide d'une allumette

Ne pas se pencher sur le réchaud au propane pendant l'allumage.

1. Retirer tous les récipients du brûleur, de manière à ne pas restreindre le débit d'air.
2. Mettre la valve de réglage du détendeur en position «OFF» (ARRÊT).
3. Frotter une allumette et la placer au-dessus du brûleur. Ouvrir lentement la valve de réglage du détendeur. Ne pas mettre la tête ou les bras au-dessus du réchaud.
4. Si l'allumage ne se produit pas dans les cinq secondes, fermer le(s) bouton(s) de réglage du brûleur, attendre cinq minutes et répéter la procédure d'allumage.
5. Si le brûleur ne s'allume pas à la suite des premières tentatives d'allumage au moyen d'une allumette, il y a un problème d'arrivée de gaz. NE PAS essayer de faire fonctionner le gril tant que le problème n'est pas identifié et corrigé. Voir la section "Dépannage" de cette notice.supply.



### Éteindre le réchaud au propane

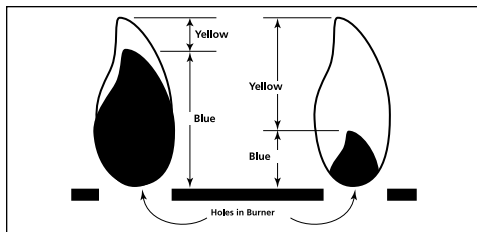
- Mettre tous les boutons en position «OFF» (ARRÊT).
- Dévisser le réservoir jetable

### Déconnexion d'une bouteille de propane jetable

1. Mettre tous les robinets en position fermée (OFF) et s'assurer que toutes les flammes sont éteintes.
2. Retirer la bouteille du détendeur en tournant dans le sens contraire des aiguilles d'une montre.

### Vérification des flammes du brûleur

- Allumer le brûleur; tourner le(s) bouton(s) de la position HIGH à LOW. La position LOW devrait produire une plus petite flamme que la position HIGH. Toujours vérifier la flamme avant chaque utilisation. Une flamme bleue avec peu ou pas de flamme jaune produit la chaleur optimale.



### Nettoyage du brûleur

REMARQUE: Des araignées ou des insectes peuvent tisser leur toile ou faire leur nid dans le brûleur. Cela se produit particulièrement à la fin de l'été et à l'automne, avant le gel, lorsque les araignées sont le plus actives. Ces nids risquent d'obstruer le débit de gaz et de provoquer un incendie dans le brûleur et l'orifice ou autour de ceux-ci. Un tel incendie peut blesser l'utilisateur et causer des dommages importants à l'appareil. Pour éviter tout blocage et assurer un rendement de chaleur maximal, nettoyer et inspecter souvent le tube du brûleur (une ou deux fois par mois).

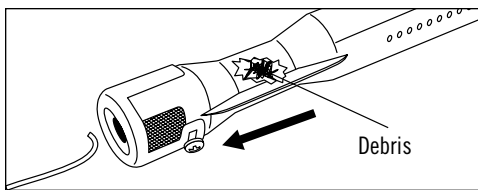
REMARQUE: L'eau ou de l'air sous pression ne suffit pas normalement à éliminer les toiles d'araignée.

## ⚠ AVERTISSEMENT

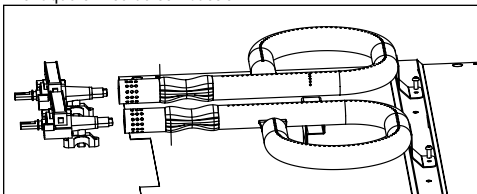
N'effectuer le nettoyage et la maintenance que lorsque l'appareil est froid et que l'alimentation en gaz est coupée au niveau de la bouteille de gaz. NE nettoyer aucune des pièces situées à l'intérieur d'un four autonettoyant. La chaleur extrême endommagea la finition.

### Assemblage et entretien des brûleurs

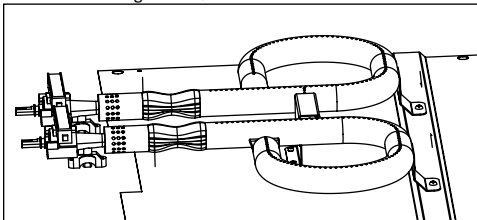
- Bien que les brûleurs soient fabriqués d'acier inoxydable, il est possible qu'ils rouillent en raison de la chaleur extrême et des acides qui se dégagent de la cuisson des aliments. Vérifier régulièrement les brûleurs pour y déceler des fissures, des trous anormaux et d'autres signes de dommages causés par la corrosion. Si vous en découvrez, remplacer le brûleur.
- NE PAS obstruer la circulation de l'air de combustion ou d'aération. Les tubes des brûleurs peuvent se bloquer si des araignées et d'autres insectes y construisent leur nid. Des tubes de brûleurs bloqués peuvent empêcher le gaz de parvenir aux brûleurs et provoquer un incendie de tube de brûleur ou un incendie derrière le gril. Pour nettoyer un brûleur, suivre ces directives pour nettoyer ou remplacer les pièces du brûleur ou si vous éprouvez des difficultés à allumer le gril.
  1. Couper le gaz au moyen des boutons de commande et du robinet de la bouteille de GPL.
  2. Retirer les grilles de cuisson et les plaques de diffusion thermique.
  3. Enlever les vis de la base de chaque brûleur à l'aide d'un tournevis.
  4. Soulever doucement chaque brûleur et l'éloigner des ouvertures de soupape.
  5. Passer une petite brosse à bouteille ou un fil rigide replié en crochet dans chaque tube de brûleur et orifice de combustion plusieurs fois.



Note: Porter un protecteur oculaire pour exécuter l'étape 6.  
6. Souffler de l'air comprimé dans le tube du brûleur et les orifices de combustion. Vous assurer que l'air sort de chaque orifice de combustion.



7. Brosser toute la surface externe du brûleur pour enlever les résidus d'aliments et la saleté.  
8. Vérifier si le brûleur est endommagé, et si vous découvrez des fissures ou des trous importants, remplacer le brûleur. **IMPORTANT:** Le bout du brûleur doit glisser sur la buse de la soupape.  
9. Alignez soigneusement le réseau de canaux entre les brûleurs et dirigez **ADÉQUATEMENT**



10. Remplacer les vis de chaque brûleur et suivre les directives de la section « Épreuves d'étanchéité » du présent guide. Allumer les brûleurs pour vérifier leur bon fonctionnement.

### Soins et entretien appropriés

- Pour protéger le gril d'une rouille excessive, veiller à ce qu'il reste toujours propre et couvert lorsqu'il n'est pas en service.
- Nettoyer l'intérieur et l'extérieur du gril en les essuyant avec un chiffon humide. Huiler légèrement la surface intérieure avec de l'huile végétale en bouteille ou en pulvérisateur pour l'empêcher de rouiller.
- Si de la rouille apparaît sur la surface extérieure du gril, nettoyer et frotter la zone affectée avec de la paille de fer ou de la toile émeri à grain fin. Retoucher avec de la peinture de bonne qualité résistant aux hautes températures.
- Ne jamais peindre la surface intérieure. Frotter aux points de rouille de la surface intérieure, nettoyer puis huiler légèrement avec de l'huile végétale en bouteille ou en pulvérisateur pour minimiser la rouille.

### Nettoyage et entretien

Pour assurer le bon fonctionnement de l'appareil, effectuer correctement son entretien et sa maintenance. Le nettoyer de façon régulière en fonction du degré d'utilisation. **REMARQUE:** Nettoyer l'appareil tout entier une fois l'an et serrer toutes les pièces de quincaillerie sur une base régulière (une à deux fois l'an ou davantage, selon l'utilisation). Effectuer le nettoyage de façon à ne pas endommager la terrasse, la pelouse, etc. avec des détergents.

### Produits de nettoyage suggérés

- Détergent liquide pour vaisselle doux
- Brosse métallique
- Tampon à récuser en nylon
- Eau chaude
- Trombone
- Brosse à soies souples en laiton

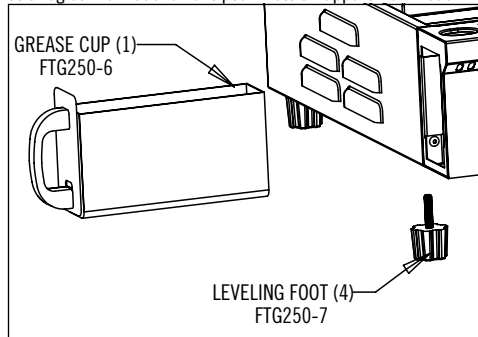
### Nettoyage des éléments

- **BRÛLEUR:** Nettoyer à la brosse métallique toute trace de corrosion se trouvant sur l'extérieur du brûleur. Nettoyer les orifices bouchés de conduite de gaz à l'aide d'un trombone déplié. Remplacer les brûleurs corrodés ou endommagés susceptibles de dégager une quantité de gaz excessive.
- Une fois l'appareil refroidi, essuyer les endroits où la peinture et la finition sont brûlées, pour minimiser les risques de rouille.

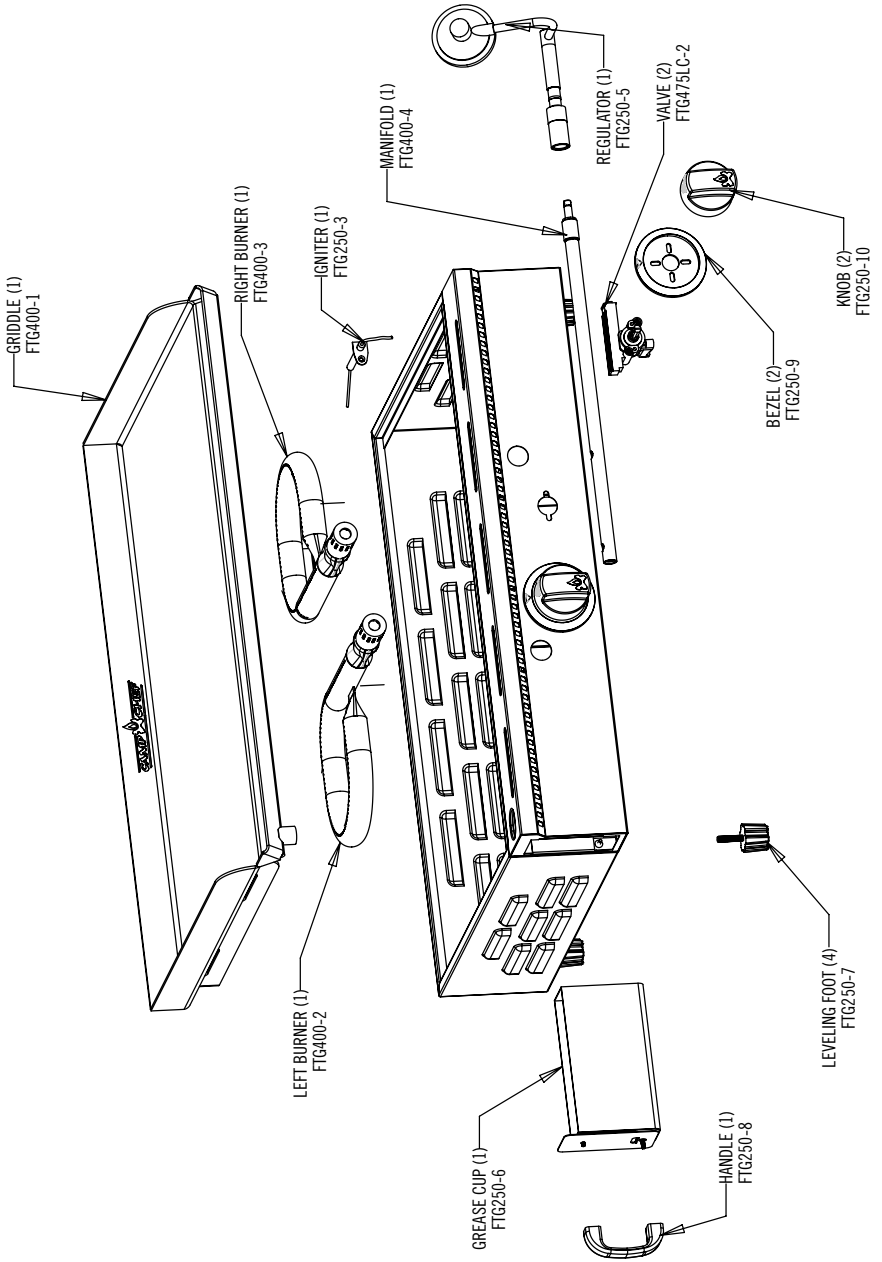
### Instructions de montage

Installez le récipient à graisse sur le côté du gril comme indiqué.

Fixez les pieds en les vissant dans le sens des aiguilles d'une montre jusqu'à ce qu'ils soient bien serrés. Les pieds peuvent être réglés individuellement pour mettre l'appareil à niveau.



# FTG400 PARTS



## GARANTIE LIMITÉE

### Garantie sans souci de Camp Chef

Chez Camp Chef, nous garantissons la qualité de nos produits et sommes fiers de notre service à la clientèle. C'est pourquoi votre nouveau produit Camp Chef s'accompagne d'une Garantie sans souci. De quoi s'agit-il ? Simple : si nous commettons une erreur, nous la réparons. Nous garantissons que nos produits sont exempts de défaut de matériaux et de fabrication (à l'exclusion de la peinture et des finitions). Nous remplacerons les pièces défectueuses pour vous permettre de jouir à nouveau de votre produit dans les meilleurs délais.

### Entretien requis :

Nettoyer votre produit après chaque utilisation pour conserver les finitions et prolonger sa durée de vie. Enlever toute trace de graisse et de cendres. Garder les produits métalliques à l'abri de l'humidité, des sels, des acides et des brusques variations de température. La peinture et autres finitions de votre produit ne sont malheureusement pas couvertes par la présente garantie. Les finitions extérieures du produit s'useront avec le temps.

### Portée de la garantie :

La présente garantie ne couvre pas l'usure normale des pièces du produit ou tout dégât provoqué par la mauvaise utilisation, l'abus, la surchauffe et les modifications. Elle ne couvre non plus aucune modification. Camp Chef n'est pas responsable des pertes éventuelles résultant de la négligence. Par ailleurs, cette garantie ne couvre pas les articles achetés auprès d'une tierce partie, les concessionnaires non autorisés ou les dommages causés par des catastrophes naturelles, par exemple les séismes, les ouragans, les tornades, les inondations, la foudre, les incendies, etc.

La responsabilité de Camp Chef prend fin au moment de l'expiration de la présente Garantie. Il n'existe aucune autre garantie expresse ou tacite.

Veillez conserver tous les reçus originaux de vos achats du concessionnaire agréé. Une preuve d'achat est requise pour bénéficier des services de garantie. Les pièces ou produits retournés sans autorisation écrite seront rejetés sans notification.

Pour bénéficier des services de garantie, veuillez soumettre une demande à cet effet sur notre site <http://www.campchef.com/warranty-information>, par courriel à l'adresse [warranty@campchef.com](mailto:warranty@campchef.com), ou par téléphone au numéro 1 800 650-2433. Nos Experts produits seront heureux de vous assister.

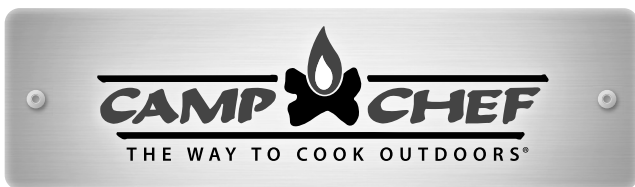
La garantie s'applique uniquement aux États américains contigus.

## PÉRIODES DE VALIDITÉ DE LA GARANTIE

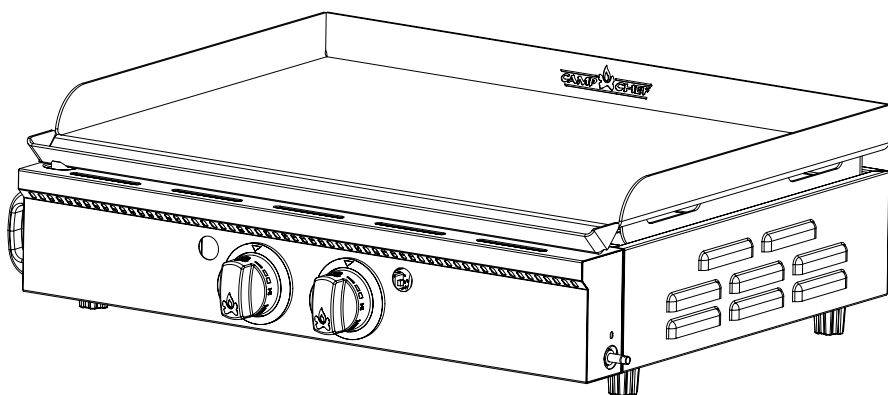
Barbecues à granules réchauds	1 an à partir de la date d'achat
Feux de camp	1 an à partir de la date d'achat
Chauffe-eau	1 an à partir de la date d'achat
Écrans de cinéma	1 an à partir de la date d'achat
Tous les autres articles et accessoires	90 jours à partir de la date d'achat

Certains modèles peuvent bénéficier d'une garantie prolongée.





# VERSATOP 2X GRILL



**FOLLETO DE ADVERTENCIA E INSTRUCCIÓN  
MODEL FTG400**

**⚠ ADVERTENCIA**

**ÚNICAMENTE PARA USO EN EXTERIORES**

**⚠ PELIGRO**

Si huele a gas

1. No intente encender el aparato.
2. Apague cualquier llama abierta
3. Desconectarse de tanque de gas.
4. Si el olor continúa, llame inmediatamente a su proveedor de gas o al cuerpo de bomberos.

El no seguir estas instrucciones podría resultar en incendio, explosión o riesgo de quemadura, lo cual podría cuasar daño a la propiedad, heridas personales o muerte.

**⚠ ADVERTENCIA**

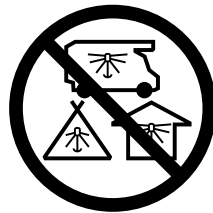
1. No guarde ni use gasolina ni otros líquidos inflamables con vapores en las cercanías des este o de ningún orto artefacto
2. Un cilindro de propano líquido que no esté conectado para ser utilizado no debe ser mantenido cerca de éste o ningún otro artefacto.

**⚠ ADVERTENCIA**

- Para el instalador o persona que monte este aparato: Deje este manual con el aparato para consultas futuras.
  - Para el consumidor: Guarde este manual con el aparato para consultas futuras.
- Este manual de instrucciones contiene información importante necesaria para el montaje apropiado y el uso seguro de este producto. Lea y siga todas las advertencias e instrucciones antes de montar y usar este aparato. No deseche este manual de instrucciones.

**⚠ PELIGRO**

**RIESGO DE MONOXIDO DE CARBONO**



Este aparato puede producir monóxido de carbono el cual no tiene olor. Usarlo en un área cerrada puede causar la muerte. Nunca use este aparato en un área cerrada como son las caravanas, tiendas de campaña, autos ni dentro de la casa.

**⚠ PELIGRO**

1. Nunca ponga en funcionamiento el aparato sin que esté atendido.
2. Nunca ponga en funcionamiento este aparato a menos de 10 pies (3 m) de ninguna estructura, material combustible ni otro cilindro de gas.
3. Nunca ponga en funcionamiento este aparato a menos de 25 pies (7,5 m) de ningún líquido inflamable.
4. Nunca deje que aceite o grasa se calienten más de 400 °F (200 °C). Si la temperatura supera los 400 °F (200 °C), o si el aceite empieza a humear, apague inmediatamente el quemador o el suministro de gas.
5. Los líquidos calientes permanecen a temperaturas abrasadoras mucho tiempo después del proceso de cocción. Nunca toque el aparato de cocción hasta que los líquidos se hayan enfriado a 115 °F (45 °C) o menos.
6. Si se produce un incendio, manténgase alejado del aparato y llame inmediatamente a los bomberos. No intente extinguir con agua un incendio de aceite o grasa.

1. No DEJE este aparato desatendido mientras está en uso. El usuario debe quedarse en el área inmediata al producto y tener una visión clara del producto en todo momento durante la operación.
  2. Mantenga a los niños o mascotas lejos del quemador durante todo el tiempo.
  3. El uso de alcohol, las medicinas con prescripción o sin prescripción, pueden afectar su capacidad de armar apropiadamente u operar de manera segura este aparato.
  4. Sólo para uso EXTERNO. No USE en un edificio, garaje, o cualquier otra área cerrada. NO use en o sobre vehículos recreativos o botes. NUNCA use este aparato como un calentador.
  5. No opere el aparato bajo NINGUNA construcción sobrealentada. Mantenga un margen mínimo de 2 pies (.6 m) desde los lados, frente y detrás del aparato a CUALQUIER construcción. Mantenga el área libre de todo material combustible y líquidos inflamables, incluyendo madera, plantas secas y hierba, cepillo, papel y lonas.
  6. Use SOLO sobre un nivel, superficie NO use este aparato sobre superficie como plástico.
  7. Para prevenir incendios accidentales, antes de usar el aparato asegúrese que la manguera no se dañe y que todas las juntas y conexiones estén libres de fugas prendiendo la válvula del cilindro, deje la válvula del quemador cerrada, y aplique solución cubierta de jabón a las juntas y conexiones. Si se escucha un sonido de crujido continuo, o si la solución cubierta de jabón burbujea, hay una fuga. No use el aparato si hay una fuga. Reemplace las partes defectuosas.
  8. Apague toda llama abierta antes de conectar el suministro de gas al aparato y antes de revisar si hay fugas.
  9. Cuando cocine con aceite o grasa, los materiales para apagar incendios deberían estar fácilmente accesibles. En el caso de que el aceite o la grasa se incendien NO intente apagar con agua. Use un extintor de incendio tipo BC de polvo químico o apague el fuego con tierra, arena, bicarbonato de soda.
  10. NO quite el aparato cuando está en uso. Permita que la unidad se enfríe a 115°F (45°C) antes de quitar o almacenar.
  11. Este aparato estará caliente durante y después del uso. Use mitones o guantes de horno térmicamente aislados para protección de superficies calientes o salpicaduras de líquidos de cocina.
  12. En el caso que haya un incendio, llame al cuerpo de bomberos local o llame al 911. Manténgase alejado de las llamas. No intente apagar el aceite o grasa con agua.
  13. Este producto no está hecho para uso comercial.
  14. Siempre deje que el aparato se enfríe antes de poner en una bolsa de transporte.
  15. Nunca use briquetas de carbon en una parrilla de gas. Los pedacitos de madera para dar sabor se deben colocar en una cajita de fumar de metal para contener la ceniza y para prevenir fuegos.
  16. Después de cocinar, permita parrilla y grasa enfriarse completamente antes de remover el envase de lata.
  17. Use guantes o mitones para horno para desenganchar el pestillo de cerradura del alambre que sostiene el envase para evitar quemaduras de grasa caliente.
- Use el aparato solo con gas licuado de petróleo (propano) y el montaje del regulador/válvula provisto.
  - La instalación debe estar conforme a los códigos locales, o en su ausencia con el Código Nacional de Gas Combustible, NFPA 54/ANSI Z223.1. El manejo y almacenamiento de cilindros LP deben estar de acuerdo con el Código Gas Licuado de Petróleo NFPA/ANSI 58. El aparato no es para uso en o sobre vehículos y/o botes recreativos.
  - No modifique este aparato. Las modificaciones resultarán en un riesgo de seguridad. Las preguntas con respecto a certificación y otras áreas se deben dirigirse al 1-435-752-3922.
  - Habitantes en departamentos: Revise con la administración para conocer los requerimientos y códigos de incendio usando un aparato de gas licuado de petróleo en un departamento. Si es permitido, use afuera o en la planta baja con un margen de 10 pies de las paredes o pasamanos, NO use el aparato sobre o bajo cualquier departamento, balcón de condominio, o cubierta.
  - Nunca use el tanque LP si está oxidado, dañado o vencido.
  - Si nota grasa u otro material caliente corriendo del aparato sobre la válvula o regulador, apague el suministro de gas inmediatamente. Determine la causa, corrija, limpie e inspeccione la válvula y regulador antes de continuar. Realice una prueba de fuga.
  - El regulador puede hacer un ruido como un zumbido o silbido durante la operación. Esto no afectará la seguridad o uso del aparato.
  - No cierre los agujeros al pie o a los lados del aparato.
  - Nunca opere aparatos con tanques LP fuera de la posición correcta especificada en las Instrucciones de Montaje.
  - NUNCA almacene un repuesto del tanque LP ni bajo ni cerca del aparato ni en áreas alrededor. NUNCA llene el cilindro más allá del 80% lleno. Un tanque LP de repuesto sobrellenado es peligroso debido al posible gas liberado de la válvula de alivio de seguridad. Al no seguir estas instrucciones exactamente podría causar un incendio resultando en muerte o heridas graves.
  - Si ve, huele, o escucha que escapa gas, inmediatamente alejese del tanque LP /aparato y llame al cuerpo de bomberos.
- NOTA: Este aparato está configurado para utilizar 16,4 oz cilindros desechables de propano. Utilice solamente cilindros marcados propano. cilindros desechables de propano se debe desconectar de la estufa cuando está en el almacenamiento. Recargables de gas LP a granel Los depósitos con una capacidad máxima de 20 libras también se puede utilizar con un adaptador de la manguera a granel opcional tanque. (Uso Camp Chef Modelo HRDSP para conectar con el tanque.) Recargables cilindros de gas propano se debe apagar el tanque de suministro de gas LP cuando la estufa no está en uso. El cilindro de gas LP (s) se utiliza con esta estufa deben ser construidos y marcados de acuerdo con las especificaciones para cilindros de gas LP del Departamento de Transporte de EE.UU. o de Transporte de Canadá, CAN / CSA B339.

#### **Precauciones de Seguridad de Instalación**

- Use el aparato solo con gas licuado de petróleo (propano) y el montaje del regulador/válvula provisto.

## LP (Gas Licuado de Petróleo)

- El gas licuado de petróleo no es tóxico ni tiene olor y es incoloro cuando se produce. Para su seguridad, el gas LP tiene un olor (similar a vegetal podrido) para que pueda olerse.
- El gas LP es altamente inflamable y puede encenderse repentinamente cuando se mezcla con aire.

### Usando el programa de instalación de botellas desechables

1. Asegúrese que las válvulas del quemador están apagados.
2. Quite la tapa de plástico de la tapa de cilindro de propano. Guarde la tapa para el uso en el almacenamiento. Enrosque el cilindro de propano al regulador. Tenga cuidado de no estropear la rosca. Apriete a mano solamente.



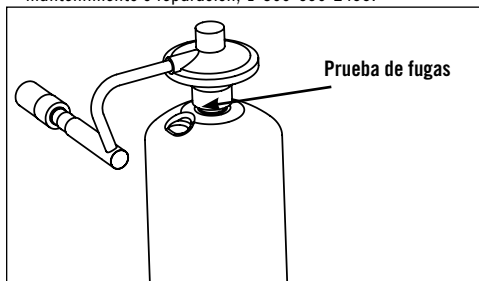
### ⚠ ADVERTENCIA

- No utilice el dispositivo hasta que revise las conexiones.
- Si no puede detener una fuga de gas, cierre inmediatamente la válvula del tanque y llame al distribuidor de gas LP o a los bomberos!

### ⚠ ADVERTENCIA

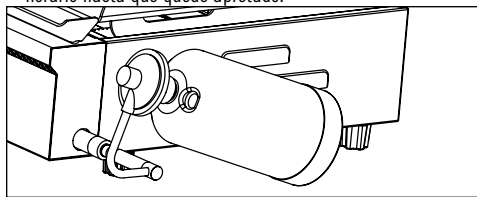
El aparato debe revisarse por cuestiones de fuga al aire libre en un área bien ventilada, lejos de fuentes de ignición tales como aparatos alimentados con fuego o eléctricos. Durante la prueba de fuga, mantenga el aparato lejos de llamas o chispas. bomberos!

3. Compruebe la conexión entre el cilindro y el regulador con agua jabonosa. Las burbujas indican una fuga. Compruebe que la conexión no es la rosca y que esté bien apretada. Realice otra prueba de fugas. Si todavía hay una fuga, quite el cilindro y el contacto con el fabricante para su mantenimiento o reparación, 1-800-650-2433.

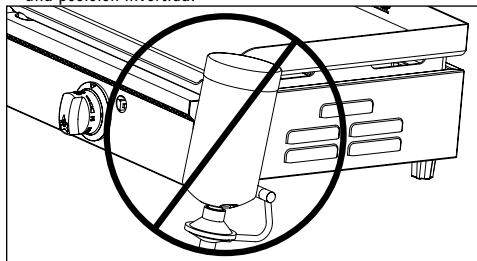


4. El regulador utiliza un conector roscado para fijar a la estufa. Es necesario llevar a cabo la estufa para asegurarse de que la instalación está sentada. Alinee el regulador

al tubo de combustible en la parte trasera de la estufa y empuje. Atornille en la manga roscada exterior en sentido horario hasta que quede apretado.



5. Nunca haga funcionar la estufa con el cilindro de propano en una posición invertida.



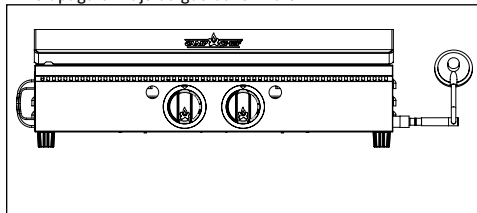
### Instrucciones de Encendido

Siga las instrucciones al pie de la letra.

1. Verifique que todas las perillas de control de las hornillas y la válvula del cilindro están en la posición OFF (apagado).
2. Abra el suministro de combustible girando la perilla de la válvula del cilindro en sentido contrahorario a la posición totalmente abierta.
3. NO se pare con la cabeza, el cuerpo o los brazos sobre la parrilla cuando la encienda.

### Encendido de las Hornillas Principales:

1. Verifique que todas las perillas de control estén en la posición "OFF" (apagado).
2. Seleccione la hornilla que va a encender. Empuje y gire la perilla de control de esa hornilla a la posición HIGH (llama fuerte).
3. Si la hornilla NO se enciende en 5 segundos, gire la perilla de control a la posición "OFF" (apagado), espere 5 minutos para que se disipe el gas y repita el procedimiento de encendido.
4. Repita los pasos 3 a 5 para encender cada hornilla. Si no se enciende la hornilla, espere 5 minutos; consulte la sección de "Encendido de las hornillas principales con un cerillo".
5. Para apagar, gire cada perilla de control en sentido horario hasta que se traben en la posición "OFF" (de apagado). Esto no apaga el flujo de gas del cilindro.



Nota: Si la hornilla no se enciende o la llama es muy baja, quizás esté bloqueada con un insecto. Consulte "Instalación/Mantenimiento de las Hornillas" en la sección Cuidado y mantenimiento apropiados

## Encendido de las Hornillas Principales Con Un Cerillo:

1. Retire todos los artefactos del quemador para crear un flujo de aire libre
2. Gire las perillas de control de hornillas a posición "OFF" (apagado).
3. Coloque un cerillo de papel en el extremo de encendedor con cerillo. Prenda el cerillo y colóquelo a través del agujero de encendido en el lado izquierdo de la parrilla aproximadamente a 1/2 pulgada (1 a 2 cm) de la hornilla.
4. Si la hornilla no se enciende, gire la perilla de control a la posición "OFF" (apagado) y espere 5 minutos para que se disipe el gas y repita el procedimiento de encendido.
5. Si la hornilla no se enciende después de varios intentos con un cerillo, entonces hay un problema con el suministro de gas. NO trate de operar la parrilla hasta haber encontrado y corregido el problema. Consulte la sección de "Identificación y corrección de problemas" de este manual.



## Apagado de la cocinilla LP

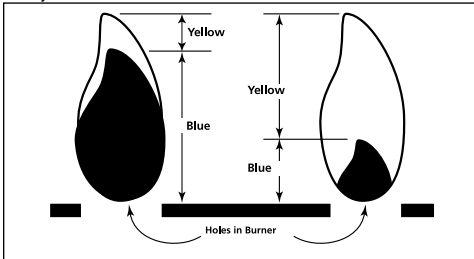
- Gire todos el boton a la posición APAGADO.
- Desenroscar la botella desechable

## Desmontaje Disponible Cilindro de Propano

1. Girar todas las válvulas al de la posición y asegurar que todas las llamas son extinguidas.
2. Quitar la botella del regulador dando vuelta en contrario.

## Revisión de la llama del quemador

- Encienda el quemador, rote el botón de ALTO a BAJO. Debería ver una llama más pequeña en la posición BAJA que la que vio en la ALTA. Siempre revise la llama antes de cada uso. Una llama azul con poca o sin llama amarilla provee el mejor calentamiento.



## Limpieza del quemador

NOTA: Arañas y pequeños insectos pueden tejer telarañas y construir nidos dentro del quemador. Esto ocurre especialmente al final del verano y otoño antes de las heladas cuando las arañas son más activas. Estos nidos pueden obstruir el flujo del gas y causar un incendio alrededor del quemador y del orificio. Tal incendio puede causar heridas al operador y daños serios al aparato. Para ayudar a prevenir la obstrucción y asegurar la máxima salida de calor, limpie e

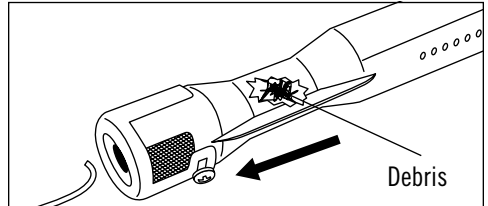
inspeccione el tubo del quemador a menudo (una o dos veces al mes) NOTA: La presión de agua o aire normalmente no despeja una telaraña.

## ⚠ ADVERTENCIA

Toda la limpieza y mantenimiento se debería hacer siempre cuando el aparato esté frío con el suministro de combustible apagado al cilindro LP. NO limpie ninguna parte en un horno autolimpiante. El calentamiento extremo dañará el acabado.

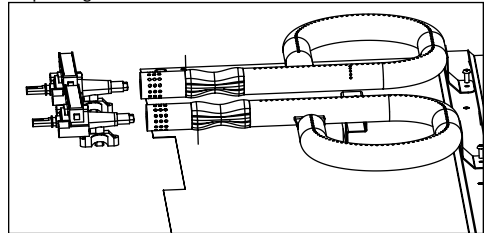
## Instalación/mantenimiento de las hornillas

- Si bien las hornillas están fabricadas de acero Inoxidable, pueden oxidarse debido al calor extremo y a los ácidos de los alimentos. Inspeccione regularmente las hornillas para ver si tienen agujeros anormales y otras señales de daños por corrosión. Si detecta daños, reemplace la hornilla.
  - NO obstruya el flujo del aire de combustión y ventilación. Las arañas u otros insectos pueden hacer nidos y bloquear los tubos de las hornillas. Los tubos bloqueados impiden que fluya gas a las hornillas y puede producirse un incendio en el tubo o debajo de la parrilla. Siga las instrucciones a continuación para limpiar el tubo y/o reemplazar partes de la hornilla, o si tiene dificultad para encender la parrilla.
1. Apague el gas en las perillas de control.
  2. Retire las rejillas para cocinar y las placas de distribución del calor.
  3. Retire las clavijas hendidas de debajo del "pie" de cada hornilla con un destornillador o alicates de punta de aguja.
  4. Levante cuidadosamente cada hornilla y retírela de las aberturas de las válvulas.
  5. Introduzca un cepillo angosto para botellas o un alambre doblado en forma de gancho pequeño en el tubo y en el orificio de la llama de cada hornilla varias veces.



Nota: Use protección para los ojos cuando ejecute el procedimiento 6.

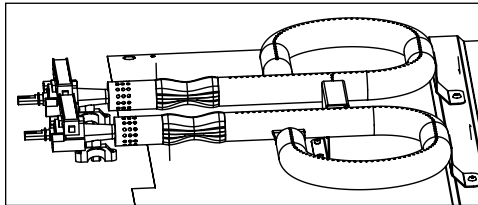
6. Utilice aire comprimido para soplar el tubo de cada hornilla; el aire debe salir por los orificios de las llamas. Verifique que salga aire de cada orificio.



7. Limpie con un cepillo de alambre la superficie exterior completa de la hornilla para quitar los restos de alimentos y residuos.
8. Revise la hornilla para detectar daños; si nota grietas o agujeros grandes, reemplace la hornilla. **IMPORTANTE:** La abertura de la hornilla debe deslizarse sobre la boquilla de  $\text{e}_2$

la válvula.

9. Reinstale CUIDADOSAMENTE como ilustrado.



10. Instale nuevamente la clavija hincada debajo de cada hornilla y siga las instrucciones en la sección "Pruebas de detección de fugas" de este manual. Reencienda las hornillas para verificar el funcionamiento apropiado.

### Cuidado y mantenimiento apropiados

- Para proteger su parrilla contra la oxidación excesiva, manténgala limpia y cubierta todo el tiempo cuando no la esté usando.
- Limpie el interior y exterior de la parrilla con un paño húmedo. Aplique una capa ligera de aceite vegetal líquido o en aerosol a la superficie interior para impedir la oxidación.
- Mantenga exterior de parrilla limpia utilizando producto de limpieza para superficies de acero inoxidable.
- Nunca aplique pintura a la superficie interior. Las manchas de oxidación en la superficie interior pueden pulirse, limpiarse y luego cubrirse con una capa ligera de aceite vegetal líquido o en aerosol para reducir al mínimo la oxidación.

### Limpieza y mantenimiento

El cuidado y mantenimiento correcto le ayudará a que su aparato funcione muy bien. Limpie regularmente de acuerdo a su uso. **NOTA:** Limpie el aparato completamente cada año y ajuste todo el equipo regularmente (1-2 veces al año o más dependiendo del uso). La limpieza se debería hacer donde los detergentes no dañen el patio, césped, o similares.

### Materiales de limpieza sugeridos

- Detergente suave líquido para lavar platos
- Cepillo de alambre
- Almohadilla de limpieza de nilón
- Agua caliente
- Clip
- Cepillo de púas de metal suave

### Limpieza del componente

- **QUEMADOR:** Quite la corrosión del exterior del quemador usando un cepillo de alambre. Limpie los agujeros atascados del puerto del gas con un clip abierto. Reemplace los quemadores corroídos o dañados que emitirían gas en exceso.
- Después que el aparato se ha enfriado, pase un trapo sobre las áreas donde la pintura y el acabado se han quemado para minimizar la oxidación.

### Guía del usuario de la plancha

Camp Chef Verdadero sazonado Finalizar significa su plancha está lista para cocinar en y con el cuidado adecuado va a mejorar con el uso. Su superficie antiadherente natural es ideal para asar o freír el desayuno, el almuerzo o la cena. **ADVERTENCIA:** Nunca plancha de calor alto. Esto puede hacer que la plancha del sobrecalentamiento y deformaciones. Bajo

a medio proporcionará todo el calor necesario para cocinar. nunca dejar sin vigilancia.

### El precalentamiento Instrucciones

Pre calentamiento adecuado obtendrá el mejor rendimiento de su parrilla. Ajuste su calor al medio o nivel de calor medio-bajo durante unos 5 minutos. Esto debería producir una temperatura de superficie de la plancha de 350 ° -400 ° F. Ahora enciende el fuego a medio-bajo a bajo durante 2-3 minutos para que el calor uniforme. Ya está listo para cocinar.

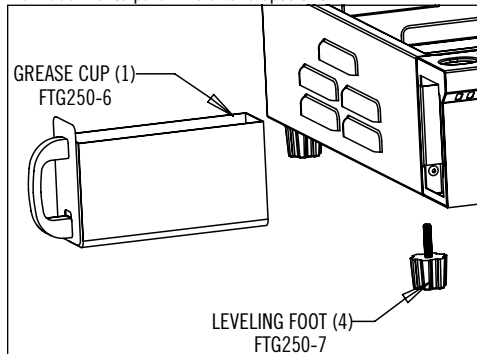
### Manejo de la Temperatura

Gestione calor de bajo a medio para mantener el calor deseado para las condiciones de cocción. Considere lo que las condiciones climáticas son similares. Frío y ventoso? Usted necesitará más calor. ¿Qué se está cocinando y cómo gran parte de ella? Teniendo en cuenta estos elementos le ayudará a cocinar mejor y obtener el máximo provecho de tu plancha.

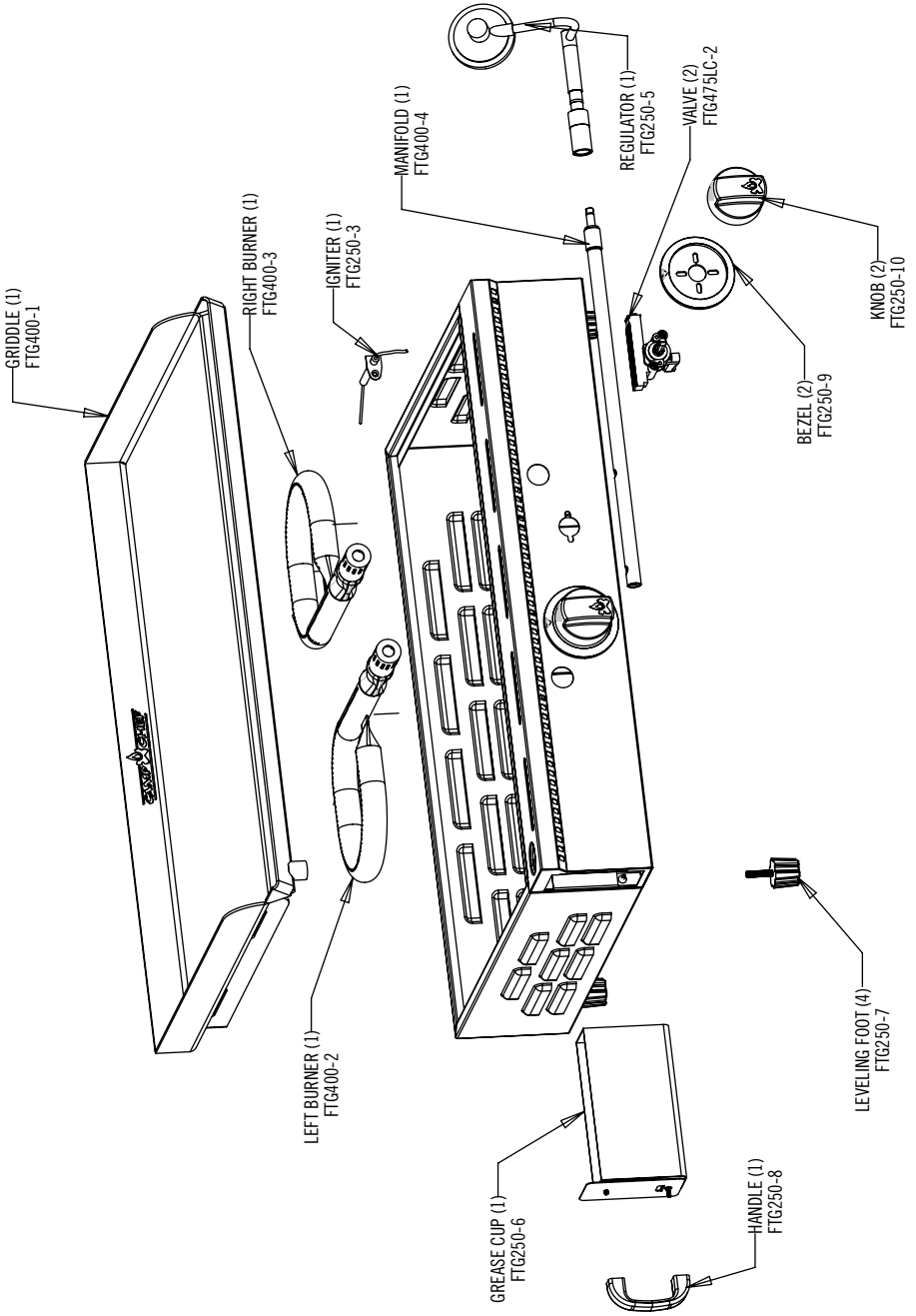
### Instrucciones de montaje

Instale la taza de grasa en el costado de la parrilla como se muestra.

Coloque los pies atornillándolos en el sentido de las agujas del reloj hasta que queden ajustados. Los pies se pueden ajustar individualmente para nivelar el dispositivo.



# FTG400 PARTS



## GARANTÍA LIMITADA

### Garantía Sin Problemas

Aquí en el Camp Chef mantenemos nuestros productos y nos enorgullecemos de nuestro servicio al cliente. Debido a esto, su nuevo producto de Camp Chef viene con una garantía sin complicaciones. Qué significa eso? Esto significa que si hicimos algo mal, vamos a hacer lo correcto. Garantizamos nuestros productos están libres de defectos en los materiales y mano de obra (con exclusión de pintura y acabado). Vamos a sustituir las piezas defectuosas para que pueda volver a disfrutar de su producto tan pronto como sea posible.

### Mantenimiento Necesario:

Limpie la unidad después de cada uso para mantener el acabado y prolongar la duración de su producto. Quite frotando toda grasa y ceniza. Mantenga los productos metálicos libres de humedad, sales, ácidos y fluctuaciones violentas de temperaturas. La pintura y acabado del producto no se garantiza. El acabado exterior del producto se desgastará con el tiempo.

### Detalles de Cobertura:

La garantía no cubre desgaste normal de partes o daños causados por mal uso, abuso, sobre calentamiento y alteración. Las reparaciones o alteraciones hechas por alguien aparte de Camp Chef no están cubiertas en esta Garantía. El fabricante no estará obligado a responder por ninguna pérdida debido a operación negligente. Además, esta garantía no cubre artículos comprados de una compañía de terceros, distribuidores no autorizados o daños causados por desastres naturales tales como terremotos, huracanes, tornados, inundaciones, relámpagos, incendios, etc.

A la finalización de esta garantía terminará toda responsabilidad. Ninguna otra garantía es expresa o implícita.

Guarde todos los recibos de ventas originales del distribuidor autorizado. Se requiere prueba de la compra para obtener los servicios de garantía. Antes de la aprobación por escrito se debe obtener un Número de Autorización de Devolución. Todas las piezas o productos devueltos sin la autorización por escrito serán descartados sin previo aviso

Para obtener servicios de Garantía visita <http://www.campchef.com/warranty-information>, email [warranty@campchef.com](mailto:warranty@campchef.com) or llame 1(800)650-2433. Nuestros especialistas de producto están dispuestos a ayudar.

La garantía se aplica solamente a los estados contiguos de EE.UU.

## PERÍODO DE GARANTÍA

Pellets grills	3 año desde la fecha de compra
Estufas	1 año desde la fecha de compra
Fire Pits	1 año desde la fecha de compra
Calentadores de Agua	1 año desde la fecha de compra
Pantallas de Cine	1 año desde la fecha de compra
Todos los demás productos y accesorios	90 días desde la fecha de compra

