

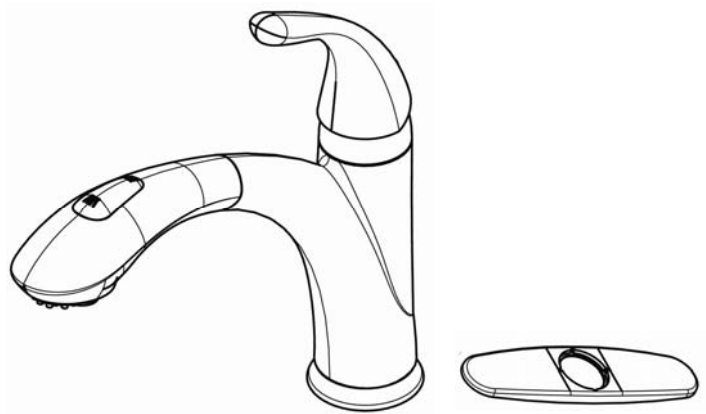
## PULL OUT KITCHEN FAUCET

224-850

FP4A4042BNV

### FEATURES:

- Solid brass & copper waterways
- Fits 1 or 3 hole sinks with 8" center
- Drip-free ceramic cartridge
- ½" 14 NPSM Inlet
- Metal lever handle
- With pull-out sprayer
- Max flow rate: 2.2 GPM at 60Psi
- Meets ADA requirements
- 100% factory pressure tested before shipment



### CODES / STANDARDS APPLICABLE:

Specified model meets or exceeds the following:

- ANSI/ASME A112.18.1
- ANSI/NSF 61 – Sec. 9
- IAPMO/UPC
- CSA B125
- AB 1953
- ADA

### COLOR FINISHES:

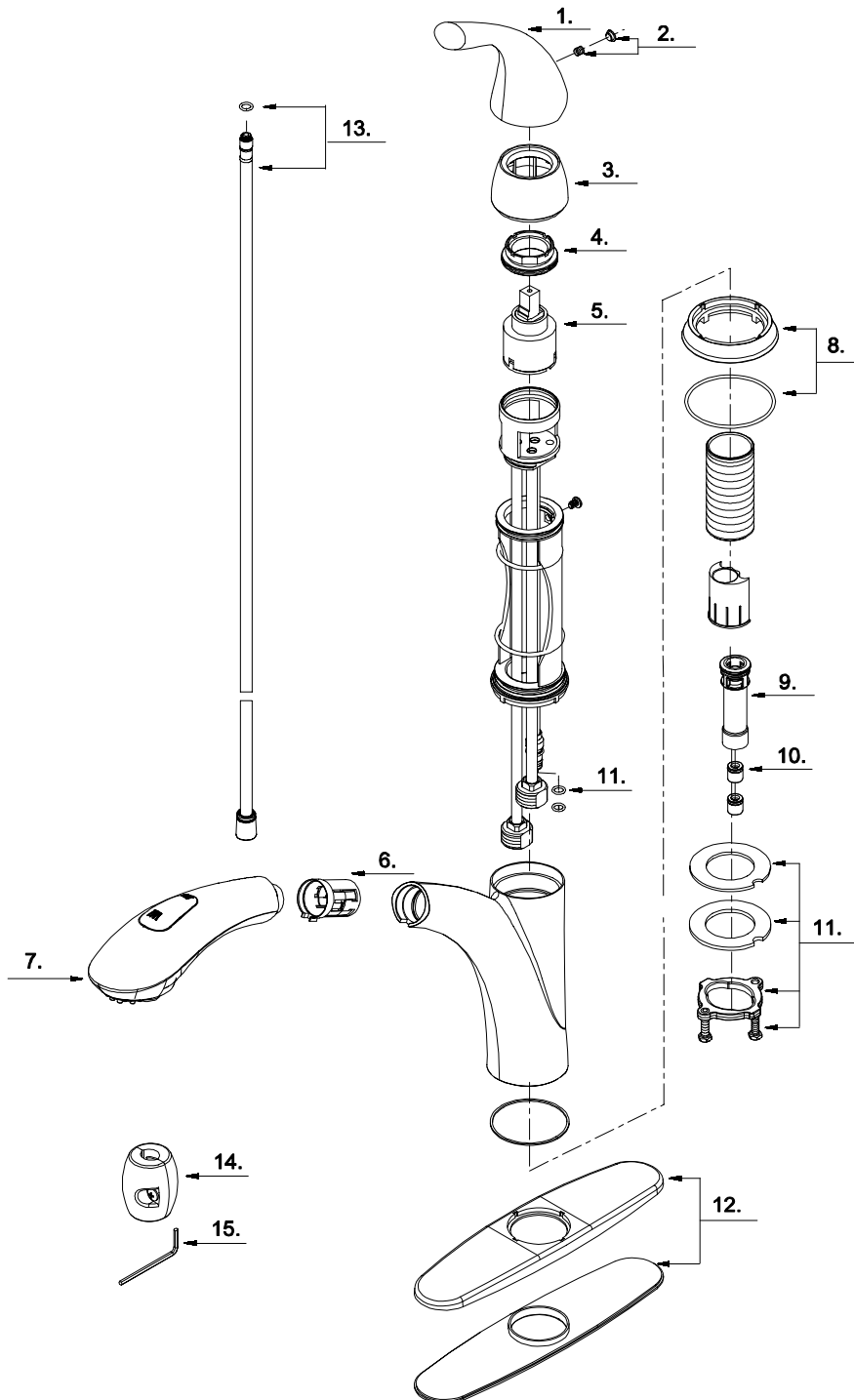
- BNV=Brushed Nickel

### SPECIFIED MODEL:

Model	Description	Finish
224-850	Pull Out Kitchen Faucet	Brushed Nickel



## EXPLODED DRAWING



**PARTS LISTING**

No.	Part Number	Finish	Part Description
		224-850	
1	A069911	BNV	Metal Handle
2	A66D558		Handle Cap
3	A103365	BNV	Trim Cap
4	A104002		Locking Nut
5	A507348N-32		Ceramic Disc Cartridge
6	A126126KP		Hose Guide
7	A523902W	BNV	Hand-held Shower
8	A66D559	BNV	Spout Trim Ring
9	A067695N		Hose Adaptor Assembly
10	A519204N		Check Valve
11	A663042		Mounting Hardware Assembly
12	A66D560	BNV	Cover Plate & Putty Plate
13	A66D561N		Supply Hose
14	A504718		Weight
15	A031000NI		Hex Wrench (H2.5 * 19 mm L * 53mm L)